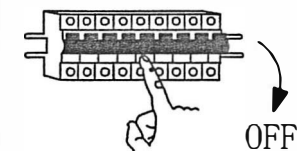
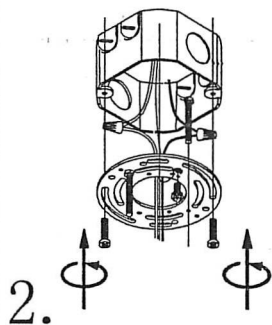


# Installing Instructions

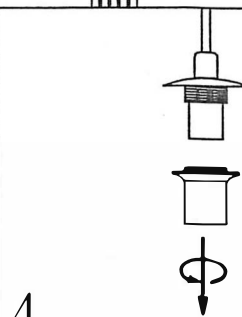
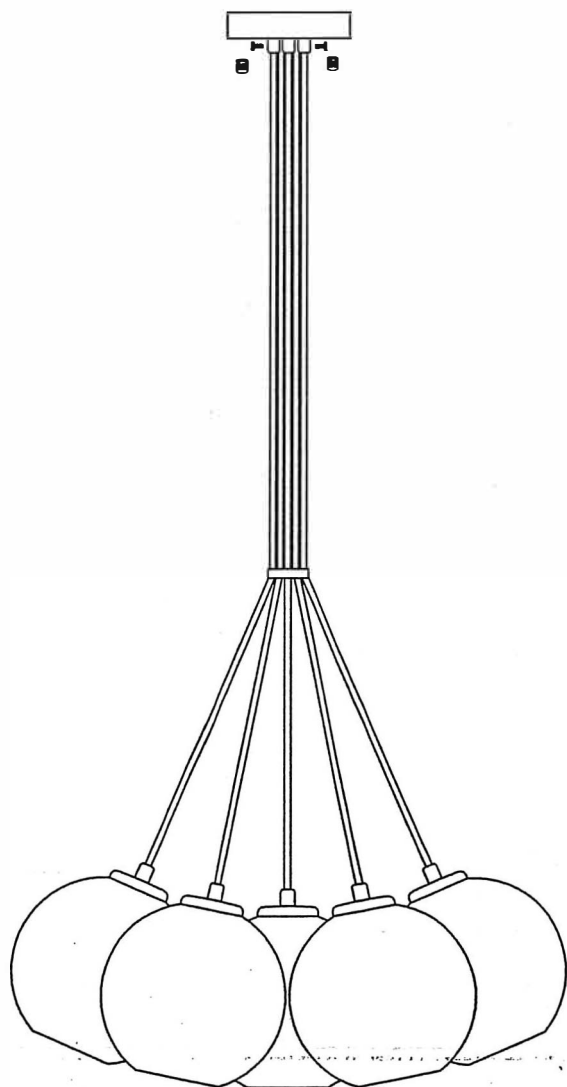
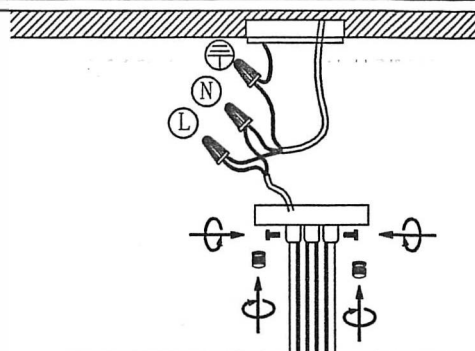


1.

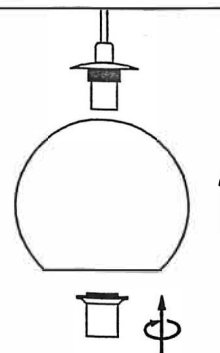


2.

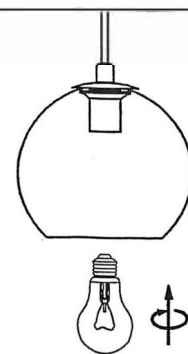
3.



4.



5.



6.

## NOTE:

1: This lighting only can be used in a room.

2: Do not turn the switch on before assembly.

3: If you want to change a bulb, please turn the switch off, and after the bulb is cold.

Voltage: 110V

Bulb: E26