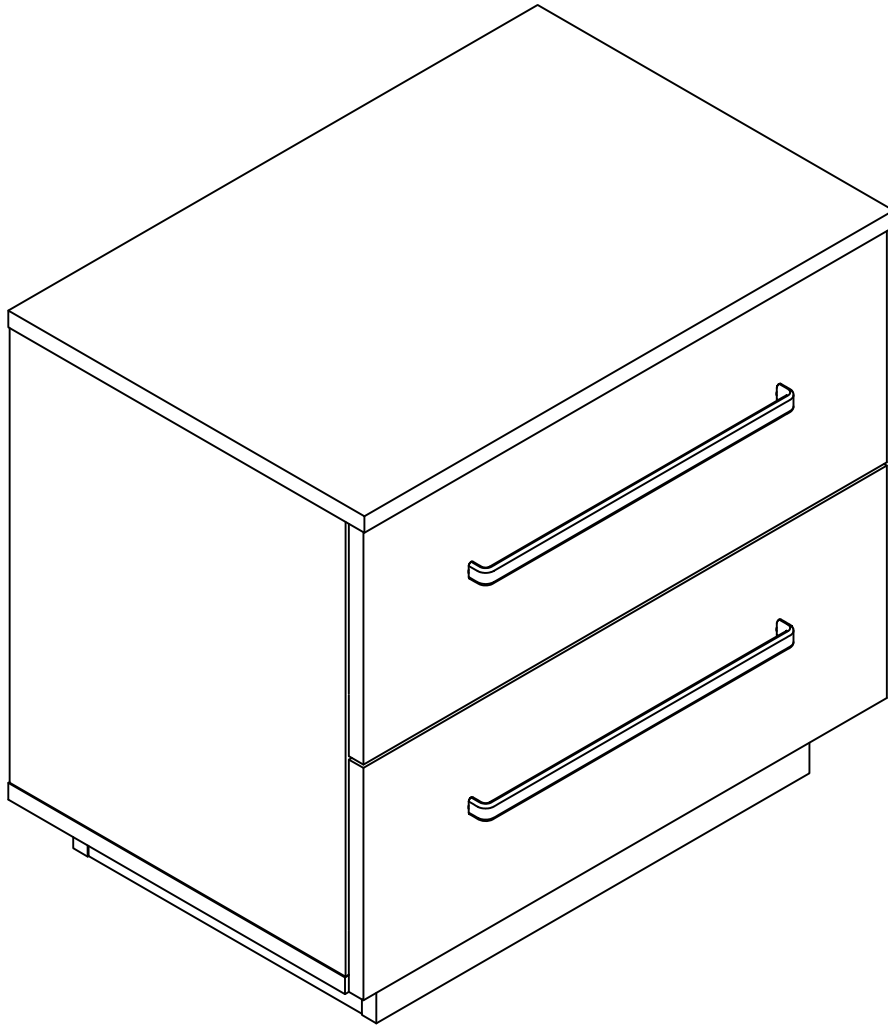


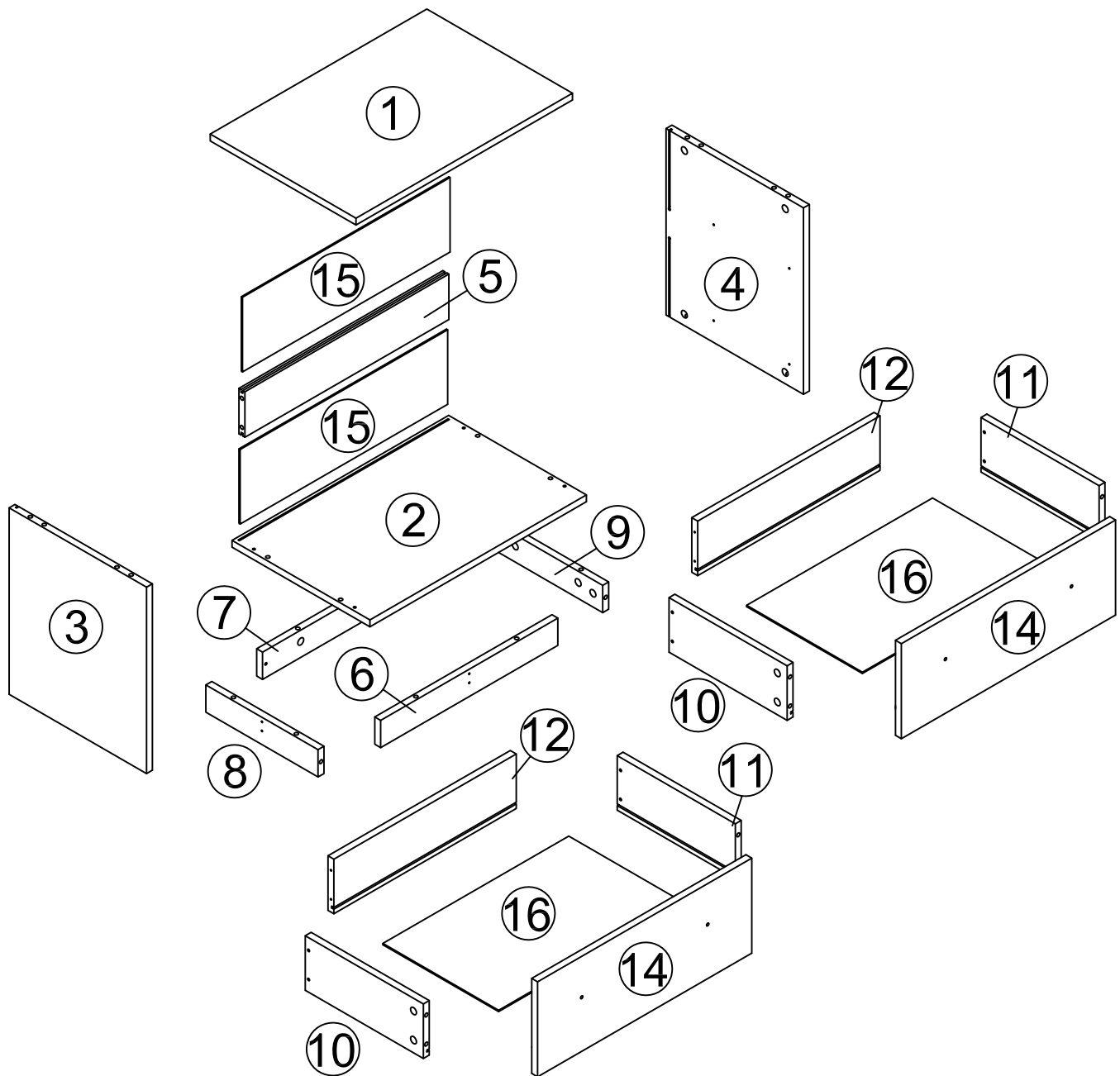
1

# ASSEMBLY INSTRUCTIONS

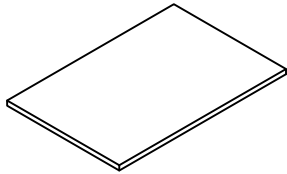
---



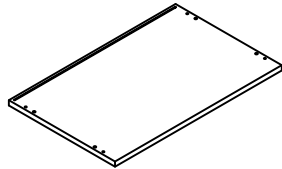
## BOARD IDENTIFICATION



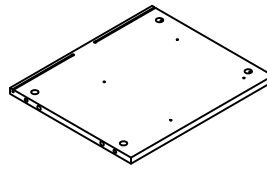
## BOARD IDENTIFICATION



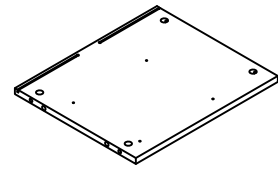
①  
MAIN PANEL  
X1



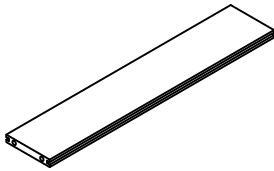
②  
BOTTOM  
X1



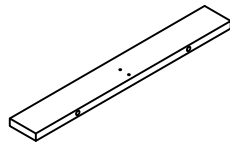
③  
LEFT SIDE PANEL  
X1



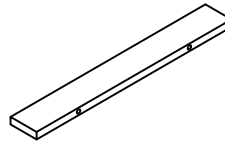
④  
RIGHT SIDE PANEL  
X1



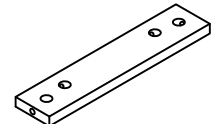
⑤  
MIDDLE BACK PANEL  
X1



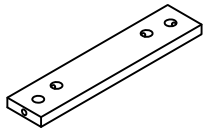
⑥  
BASE FRONT  
X1



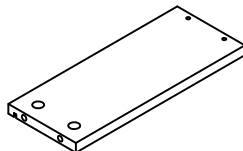
⑦  
BACK PANEL  
X1



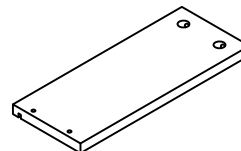
⑧  
BASE LEFT  
X1



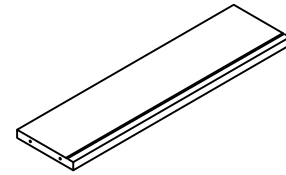
⑨  
RIGHT PANEL  
X1



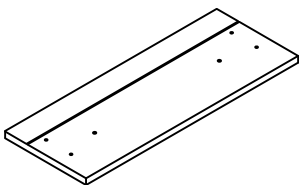
⑩  
DRAWER LEFT  
X2



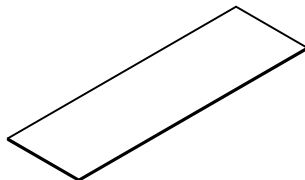
⑪  
DRAWER RIGHT  
X2



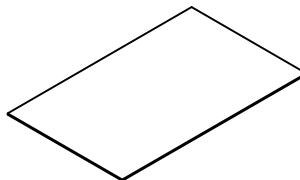
⑫  
DRAWER BACK  
X2



⑭  
DRAWER FRONT  
X2



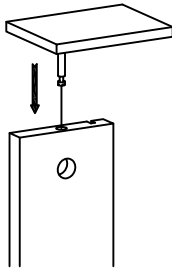
⑮  
BACK PANEL  
X2



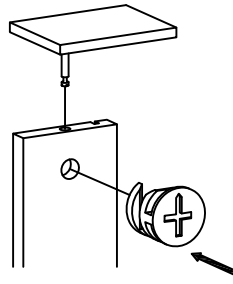
⑯  
DRAWER BOTTOM  
X2

# 4

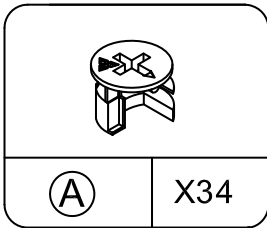
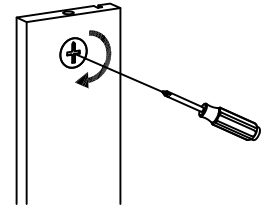
1



2

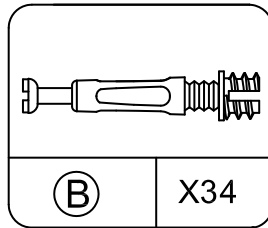


3



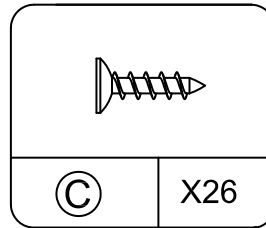
(A) X34

CAM LOCK  
F15\*11



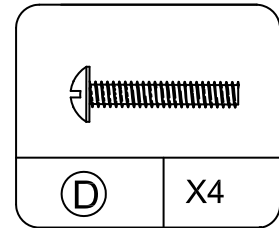
(B) X34

CAM BOLT  
F7\*31



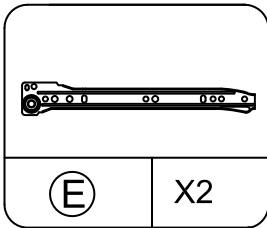
(C) X26

SCREW  
F3.5\*12



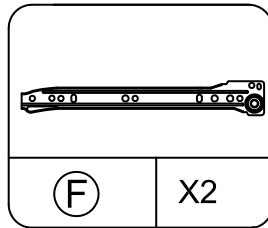
(D) X4

BOLT  
F4\*18



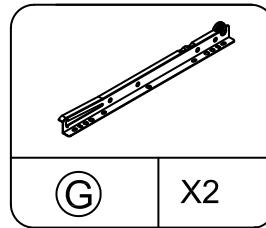
(E) X2

LEFT OUTER TRACK  
F20\*300



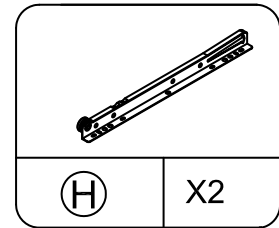
(F) X2

RIGHT OUTER TRACK  
F20\*300



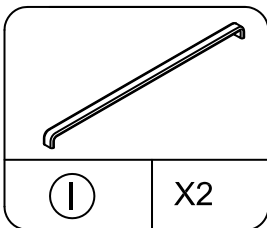
(G) X2

LEFT INNER TRACK  
F20\*300



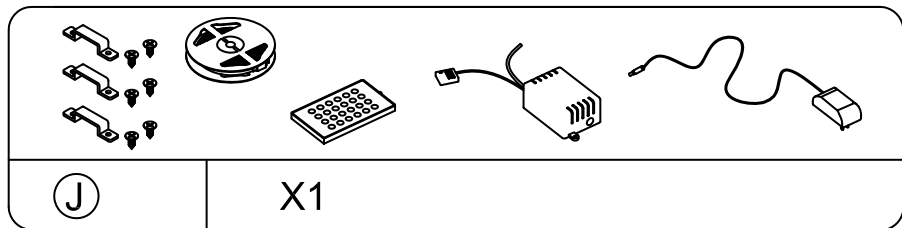
(H) X2

RIGHT INNER TRACK  
F20\*300



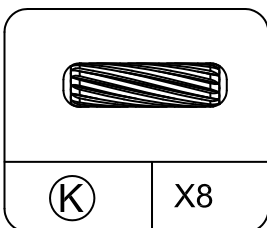
(I) X2

HANDLE



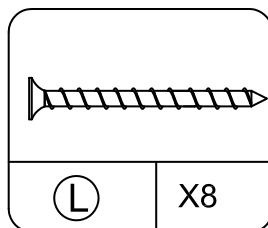
(J) X1

LIGHT STRIP



(K) X8

WOOD DOWEL  
F8\*30

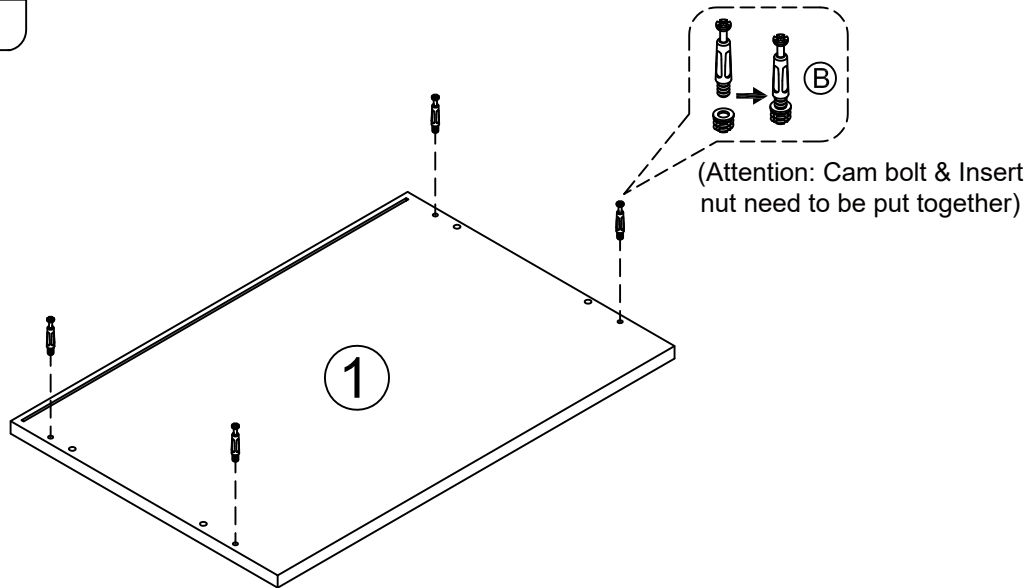
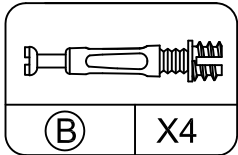


(L) X8

SCREW  
F4\*35

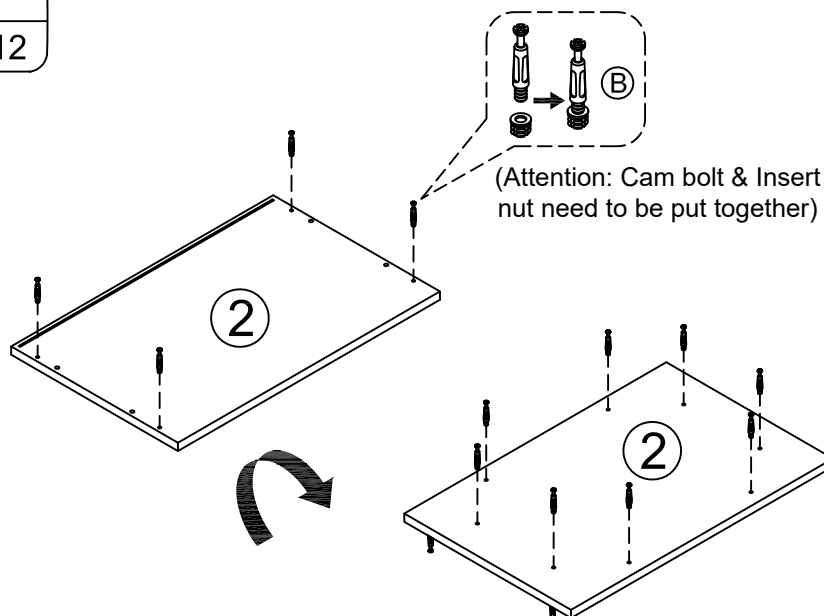
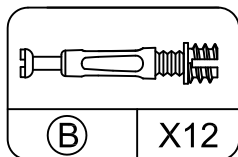
## STEP 1

- Screw cam bolts (B) into panel (1) as below shown.



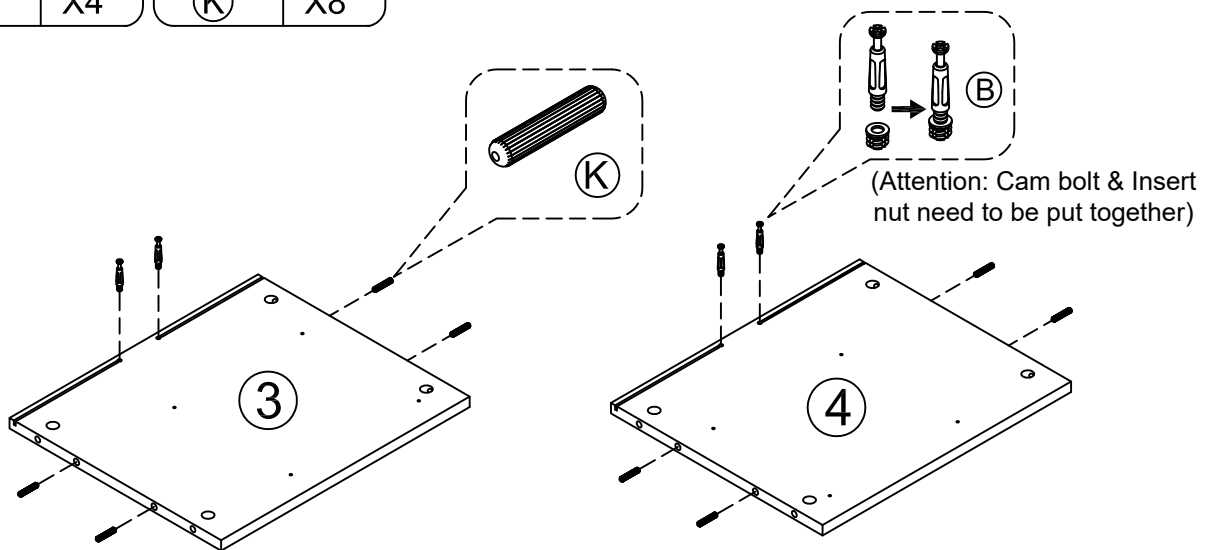
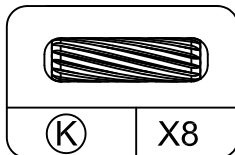
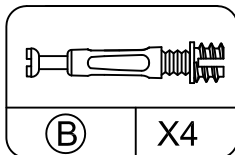
## STEP 2

- Screw cam bolts (B) into panel (2) as below shown.



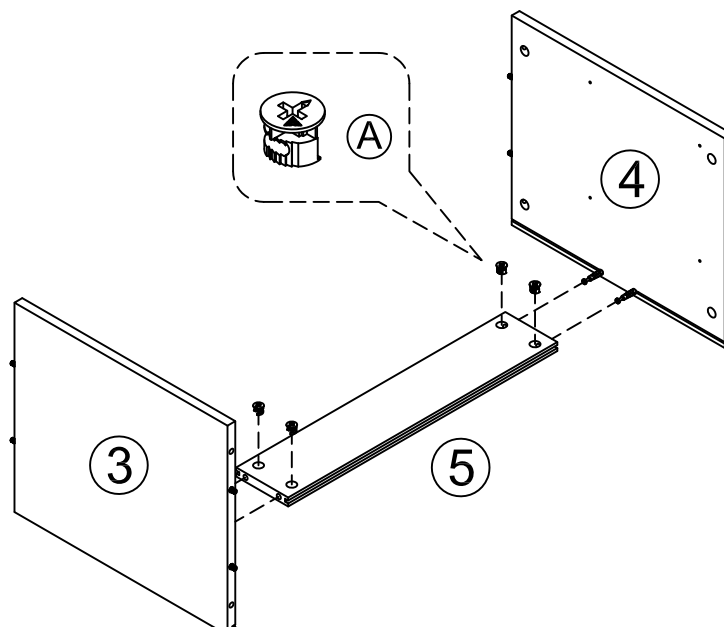
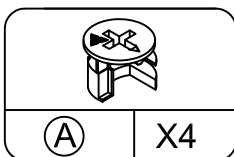
## STEP 3

- Screw cam bolts (B) into panel (3) & (4) as below shown.
- Insert wood dowels (K) into panel (3) & (4) as shown in the picture.



## STEP 4

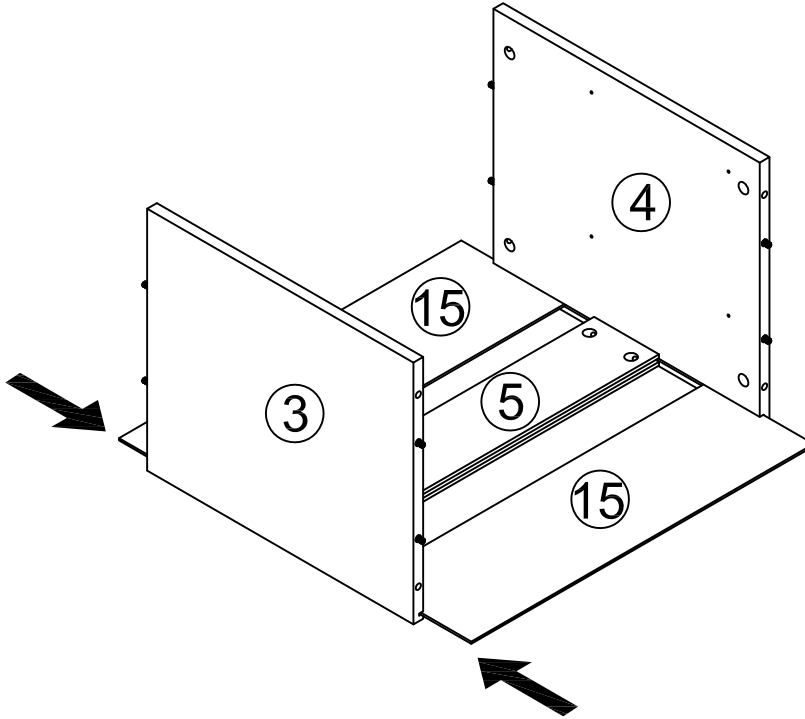
- Attach panel (3) & (4) to (5) with cam locks (A).



7

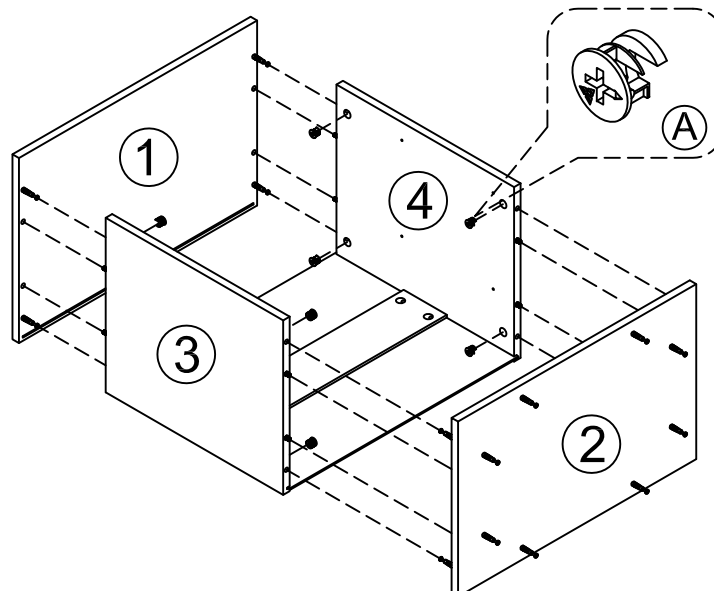
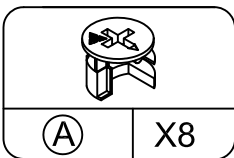
## STEP 5

- Insert (15) into the slot as below shown.



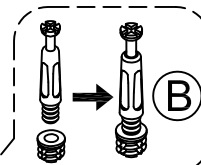
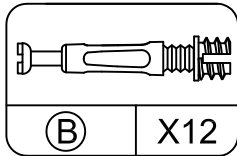
## STEP 6

- Attach panel (1) & (2) to (3) & (4) with cam locks (A).

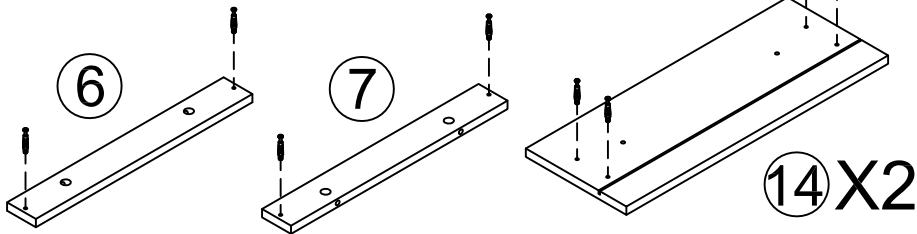


## STEP 7

- Screw cam bolts (B) into panel (6) & (7) & (14) as below shown.

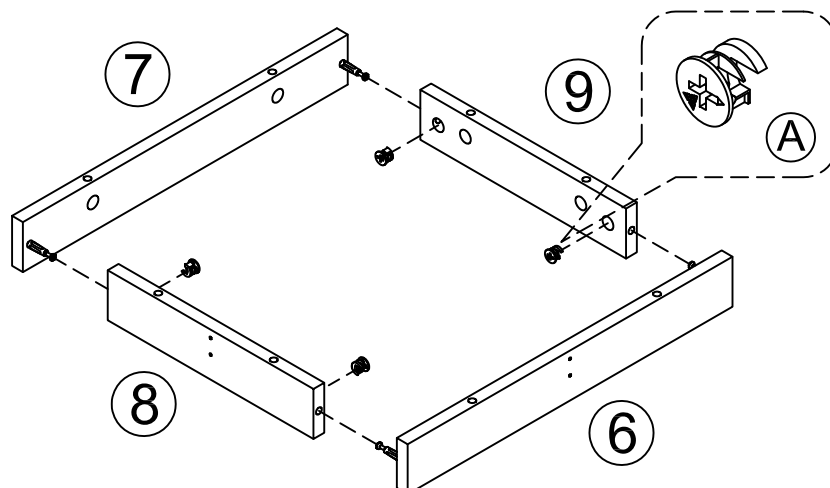
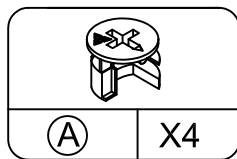


(Attention: Cam bolt & Insert nut need to be put together)



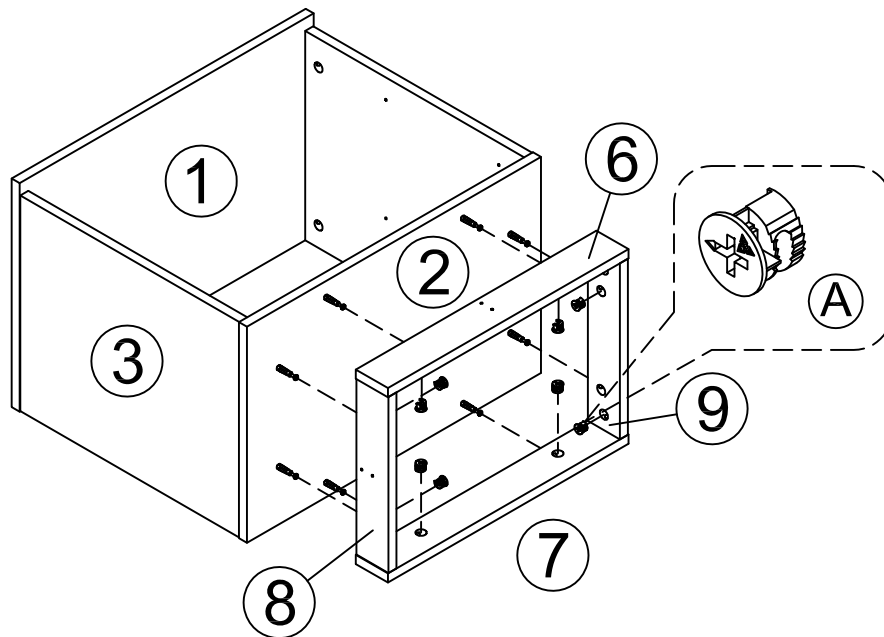
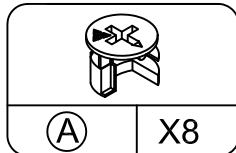
## STEP 8

- Attach panel (6) & (7) to (8) & (9) with cam locks (A).



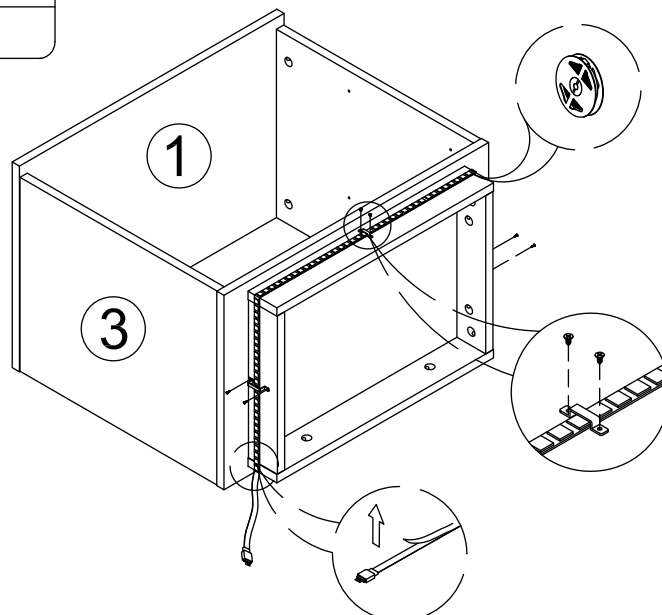
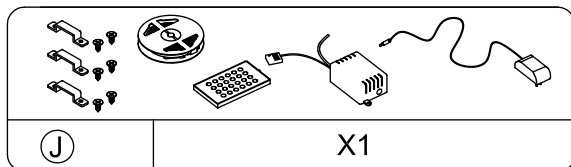
## STEP 9

- Attach panel (6) & (7) & (8) & (9) to (2) with cam locks (A).



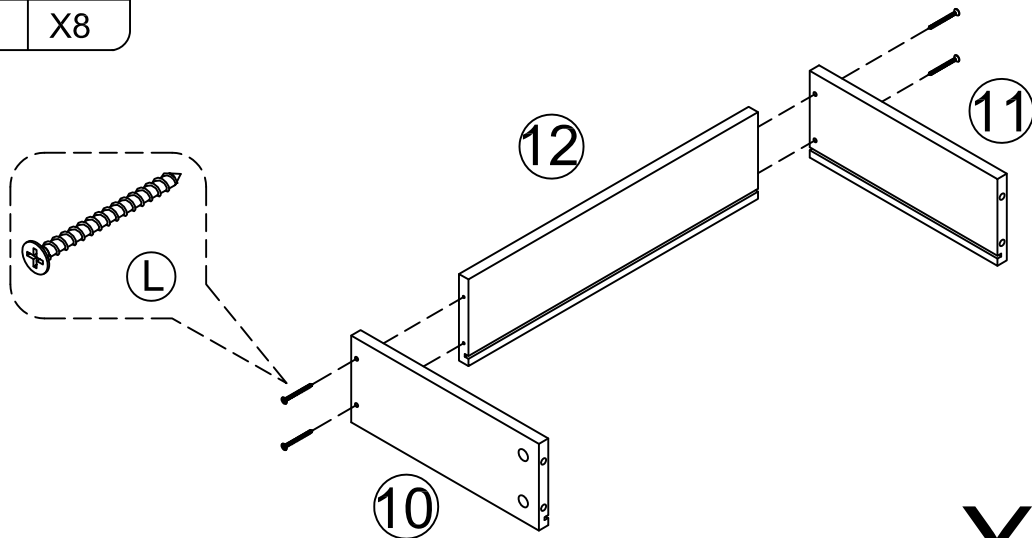
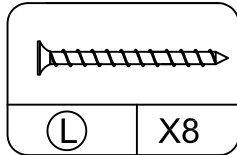
## STEP 10

- Stick LED band to the side of the base.
- Fasten the LED band with buckles.



## STEP 11

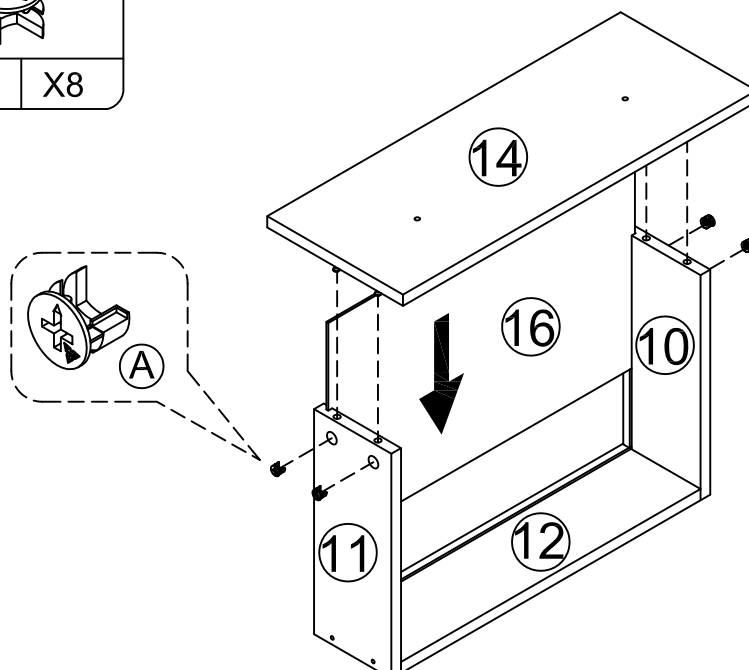
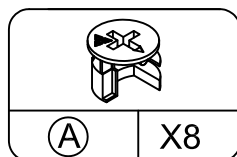
- Attach panel (10) & (11) to panel (12) with screw (L) .



**X2**

## STEP 12

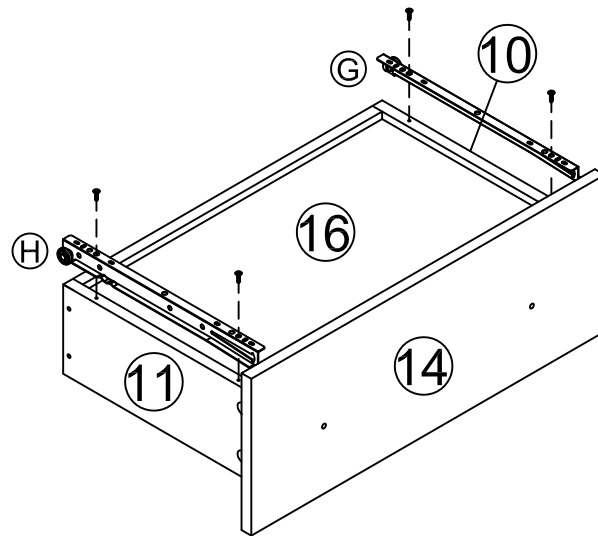
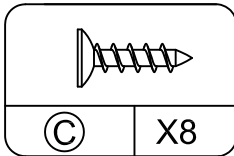
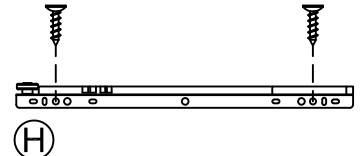
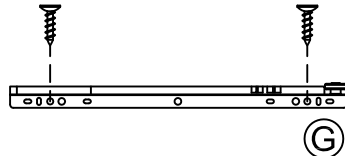
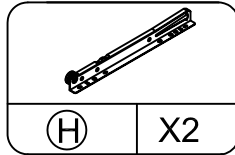
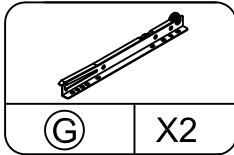
- Insert panel (16) into the grooves.  
 - Attach panel (14) to (10) & (11) with cam locks (A).



**X2**

## STEP 13

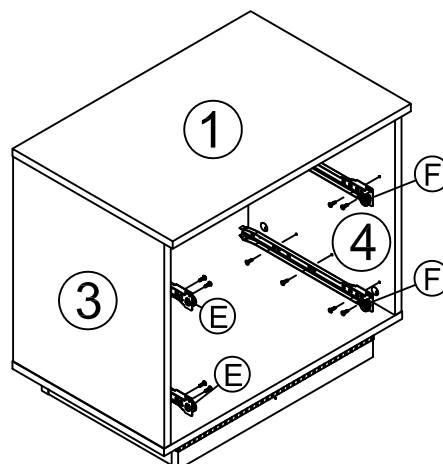
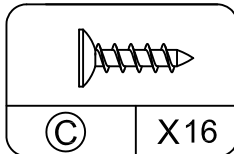
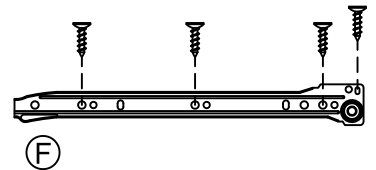
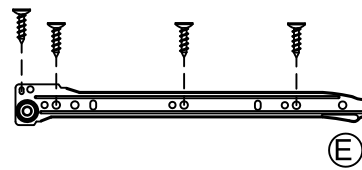
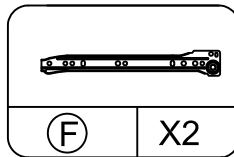
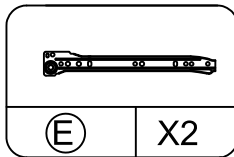
- Install drawer track (G) & (H) to panel (10) & (11) with screws (C).



X2

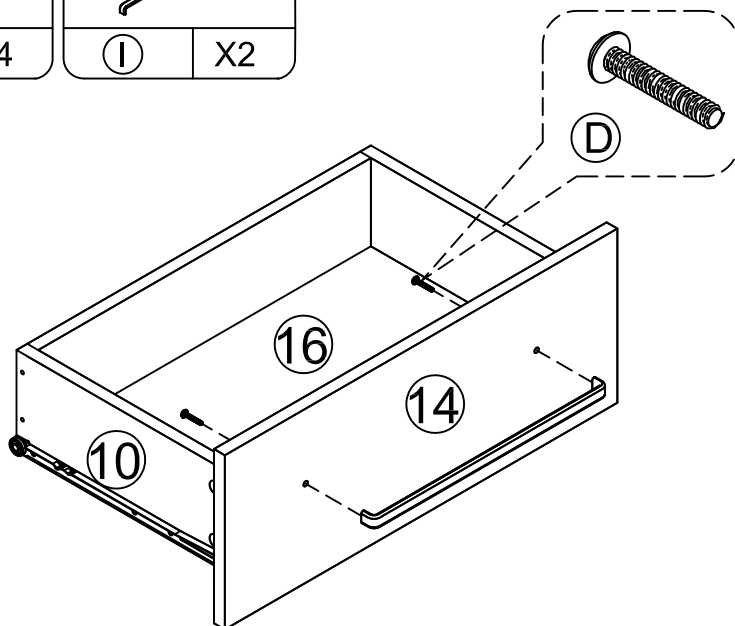
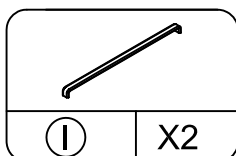
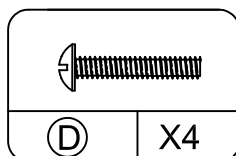
## STEP 14

- Install drawer track (E) & (F) to panel (3) & (4) with screws (C).



## STEP 15

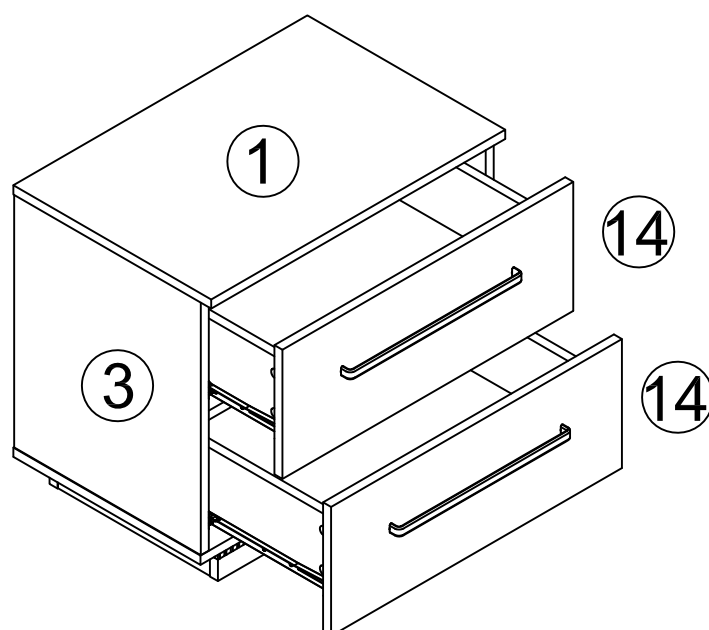
- Install handle (I) to panel (14) with bolts (D).



**X2**

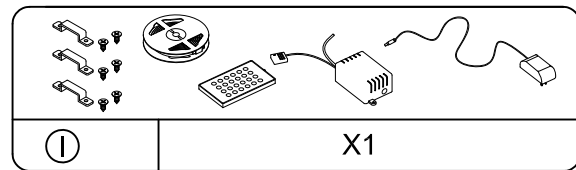
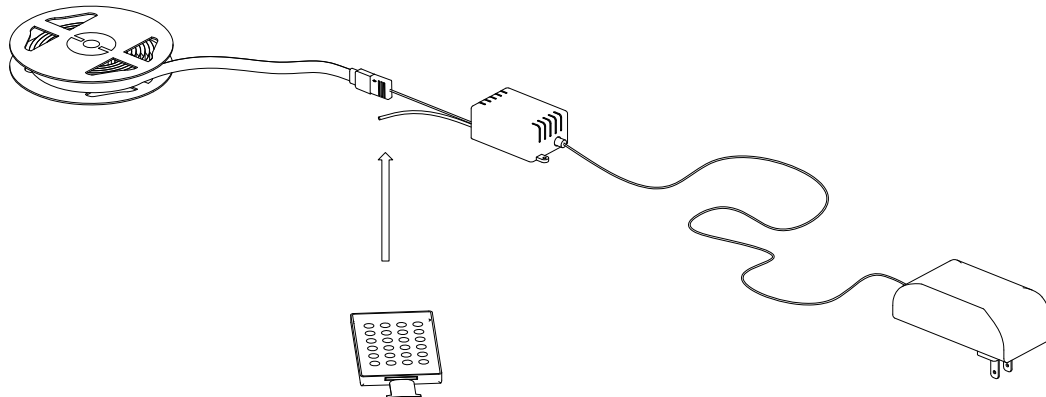
## STEP 16

- Insert the drawers.



## STEP 17

- Connected pin of LED and power adapter to the RGB control box as below.
  - Remove the battery protection pad from remote controller.
- Align remote controller to the RGB Control box to adjust the color mode.  
Specifications of battery:cr2025 3v



## STEP 18

- Installation complete.

