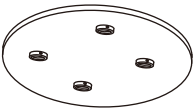
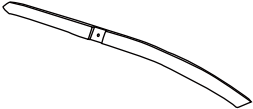









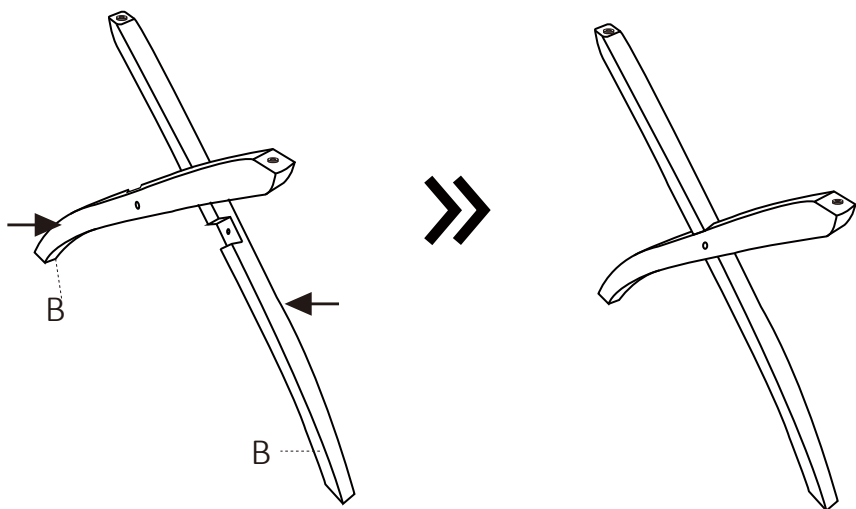
IMPORTANT!
Do not tighten too hard: this can damage boards. Please just screw 30%-50% until all the screws have been screwed into the holes.

Parts list

Letter	Components	Pieces
A		1
B		2
C		2
D		4
F	 M6x95mm	1
G		1
H		2
J		2
K		1

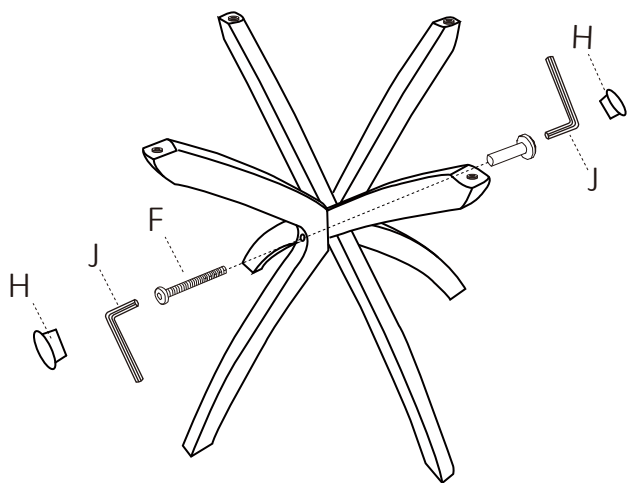
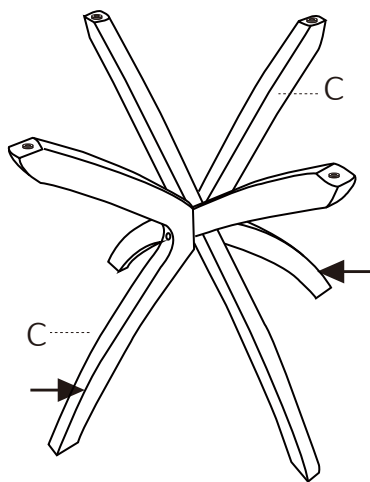
Assembly

1



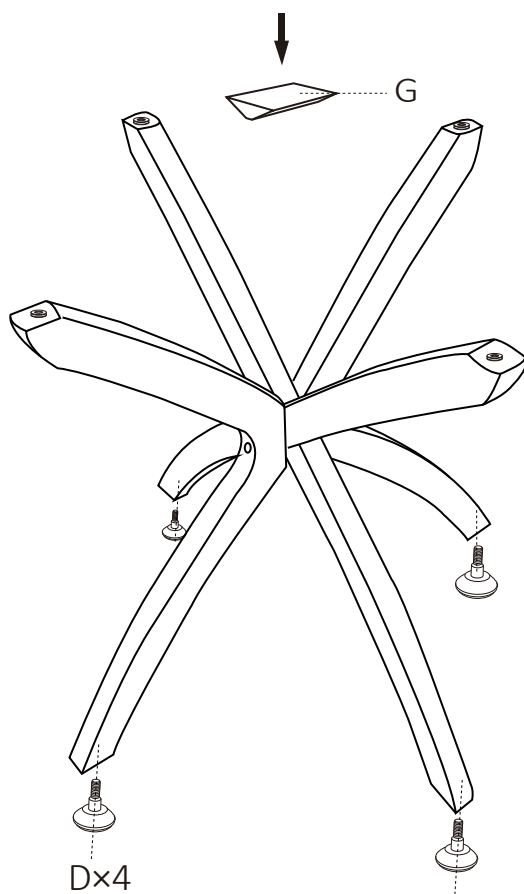
Assembly

2



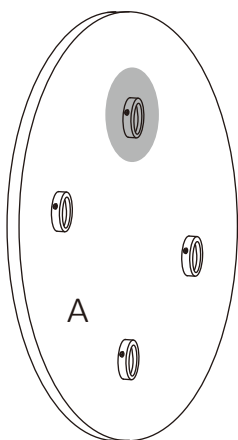
Assembly

3



Assembly

4



Assembly

5

