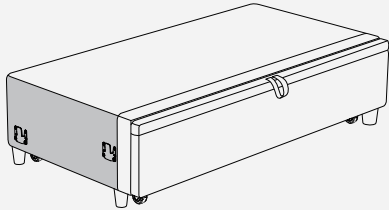


# **INSTRUCTIONS**

Pull Out Seat Module

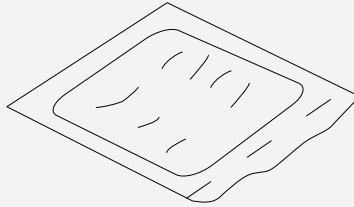
# CARTON G1 PART LIST

**T** Pull Out Seat Frame



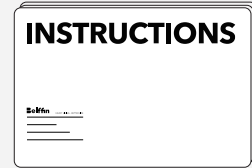
x1

**F** Back Pillow



x2

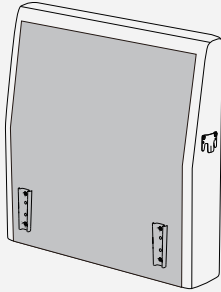
**9** Assembly Instructions



x1

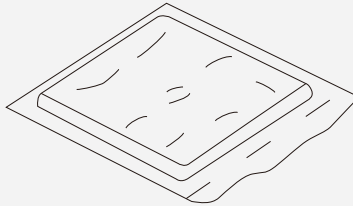
# CARTON G2 PART LIST

**H** Single Back Frame



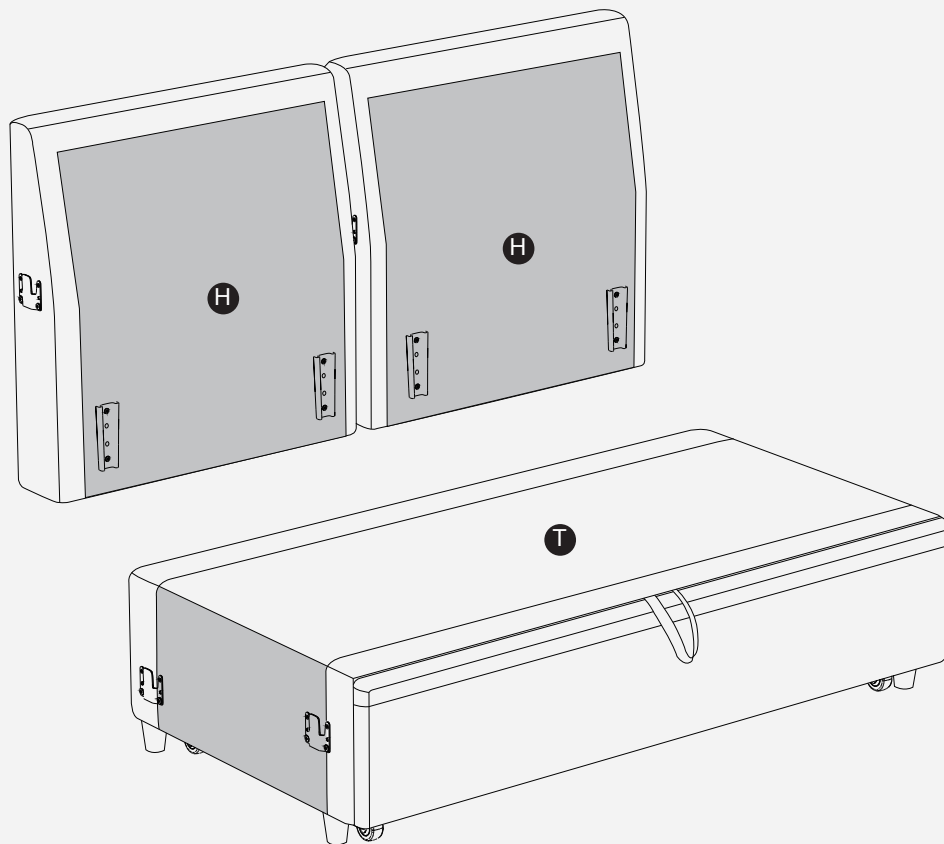
x2

**U** Seat Cushion

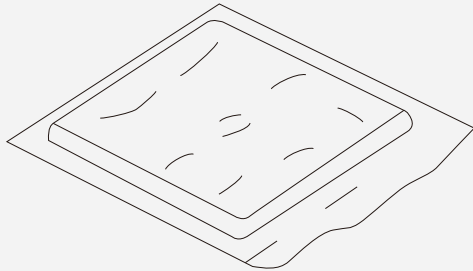


x2

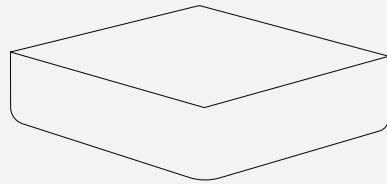
## Step1:



## Step2:

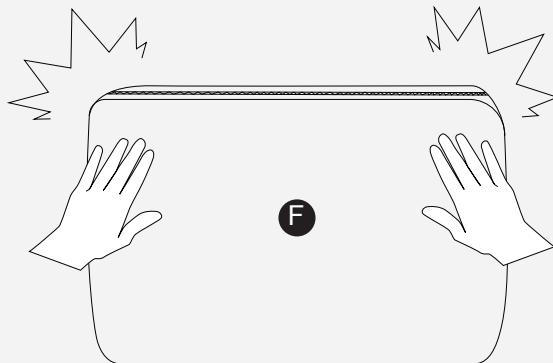
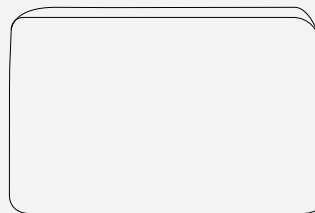
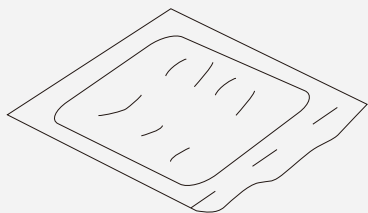


U

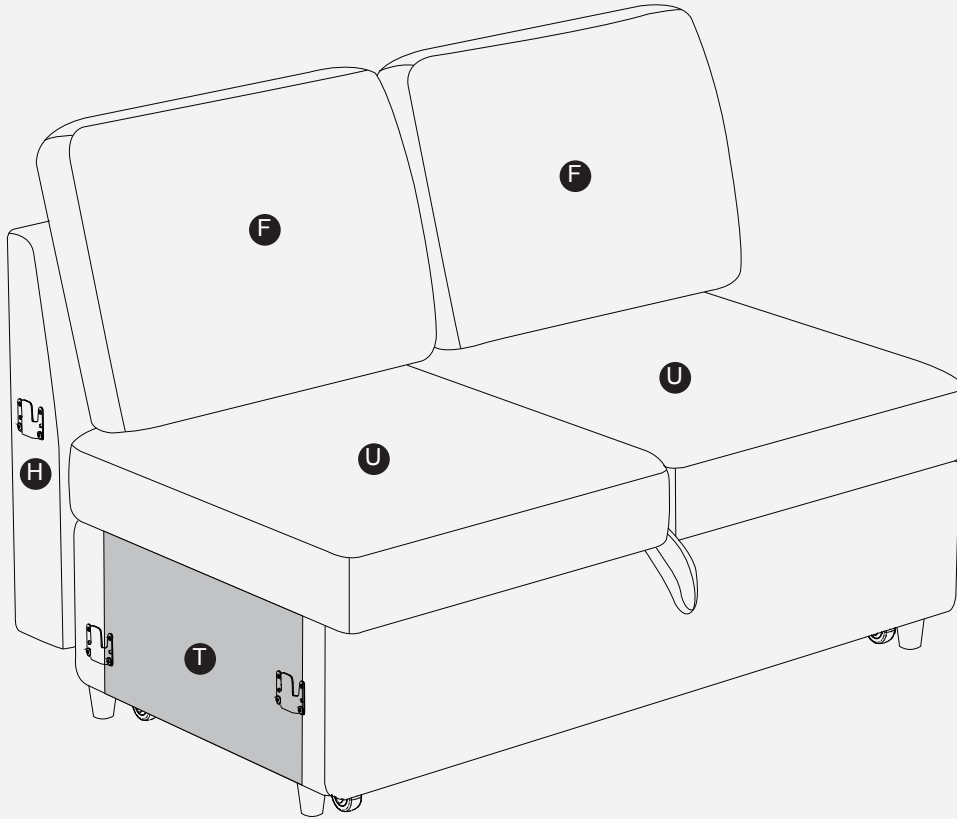


U

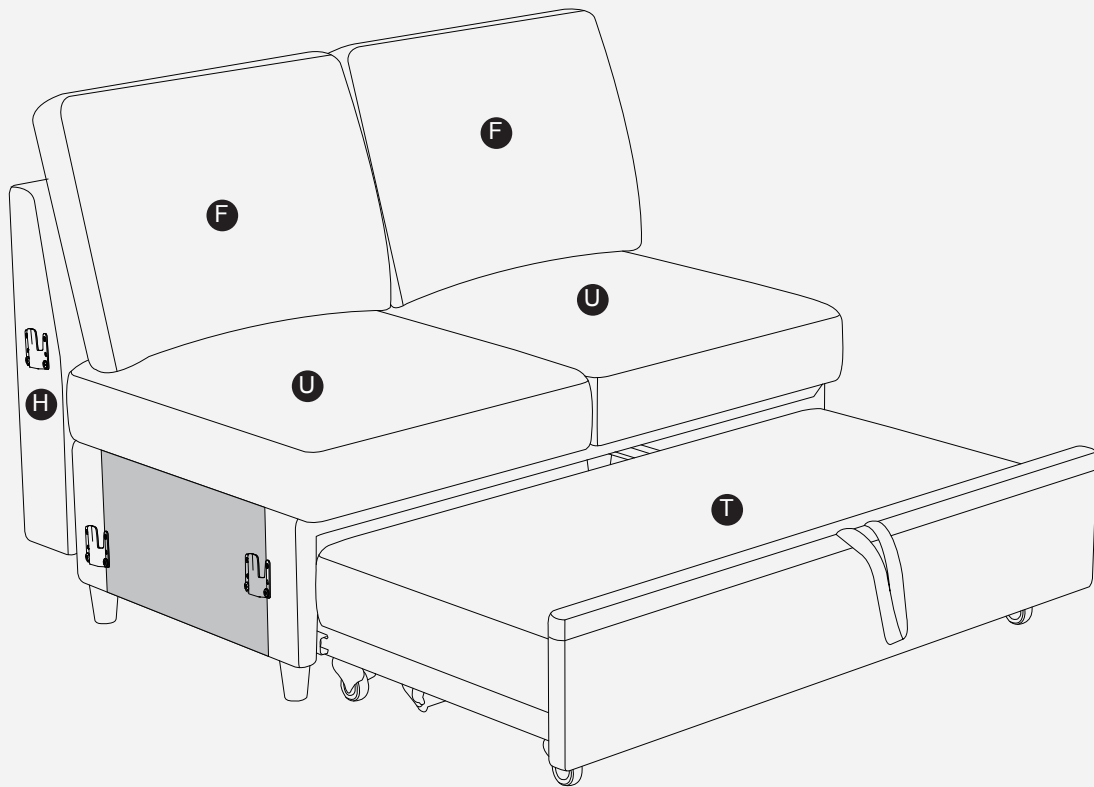
### Step3:



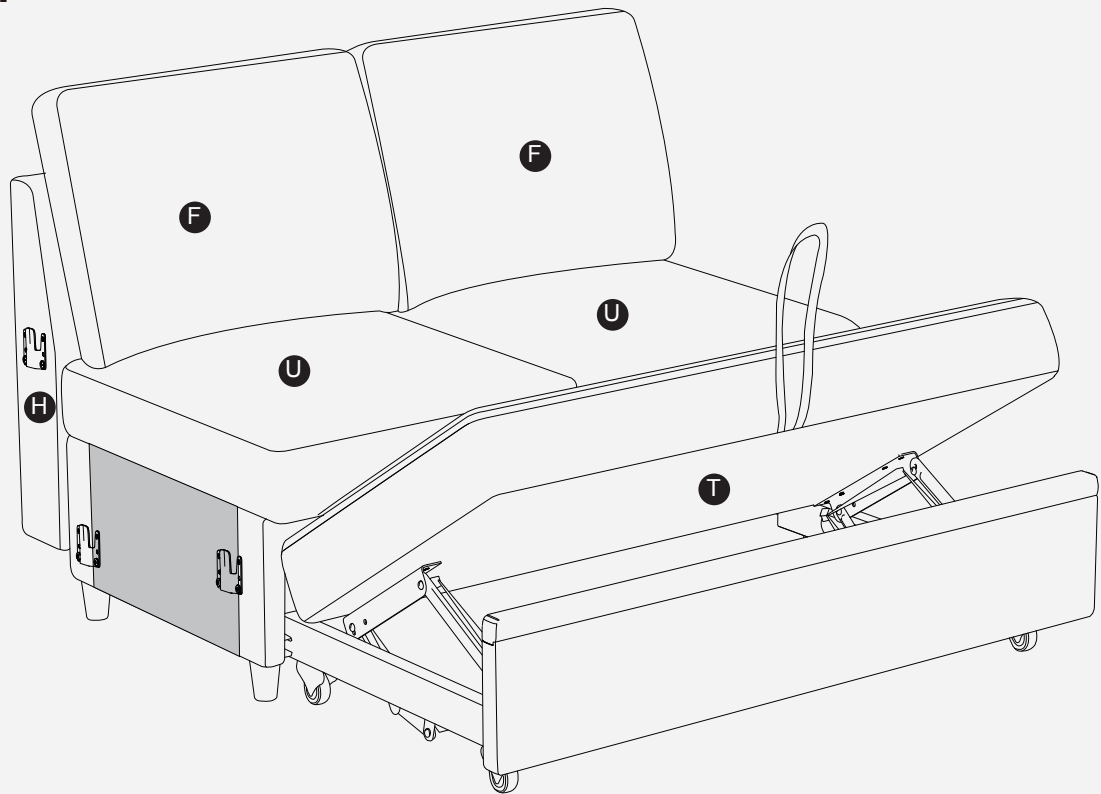
## Step4:



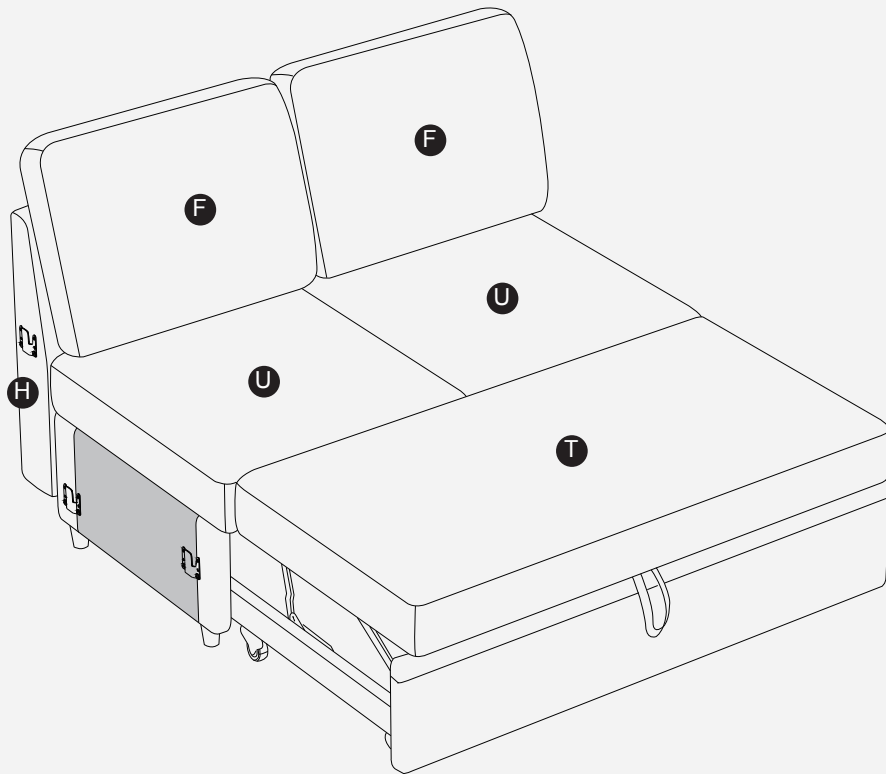
## Step5:



## Step6:



## Step7:



## Step8:

