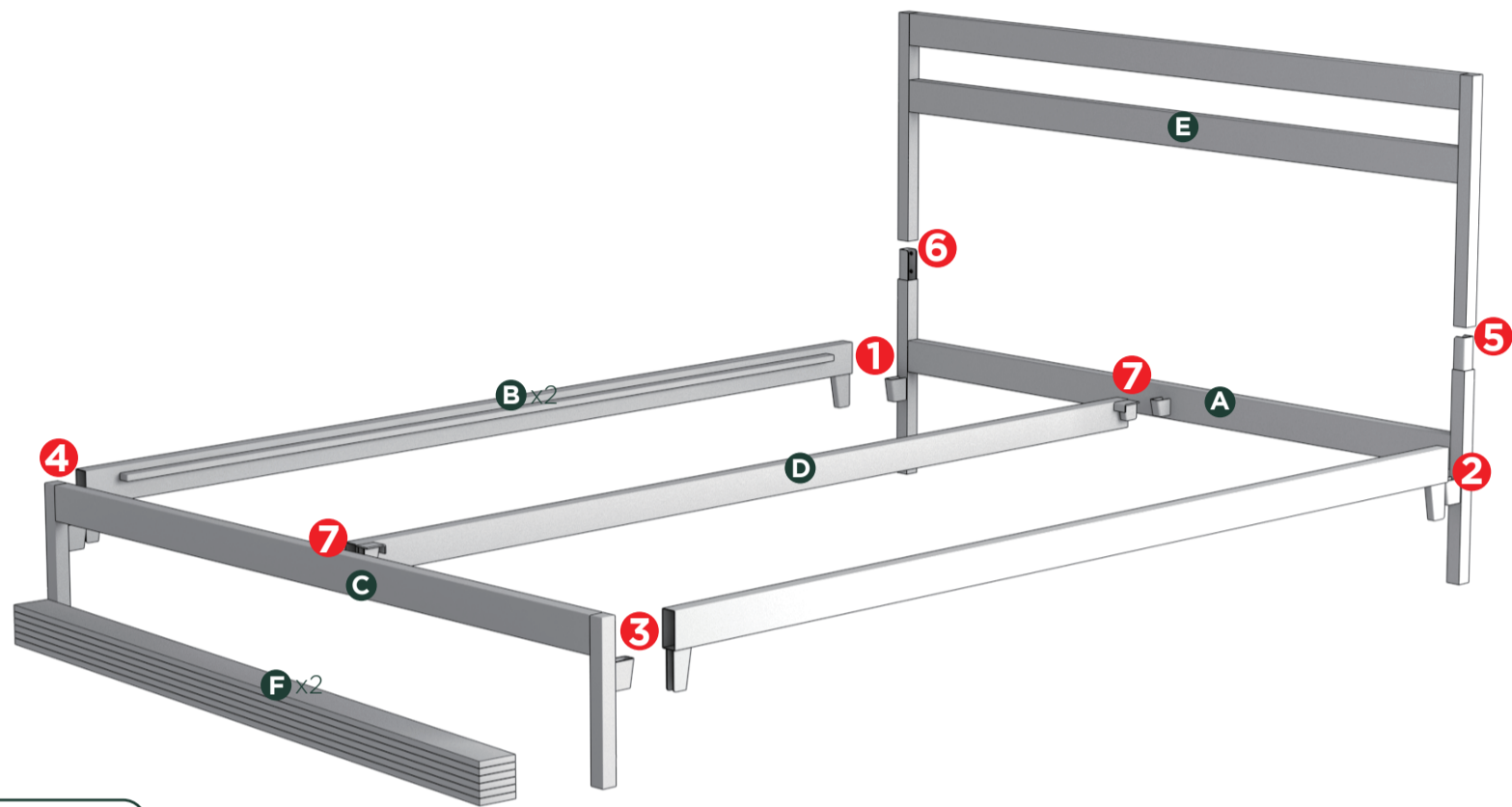
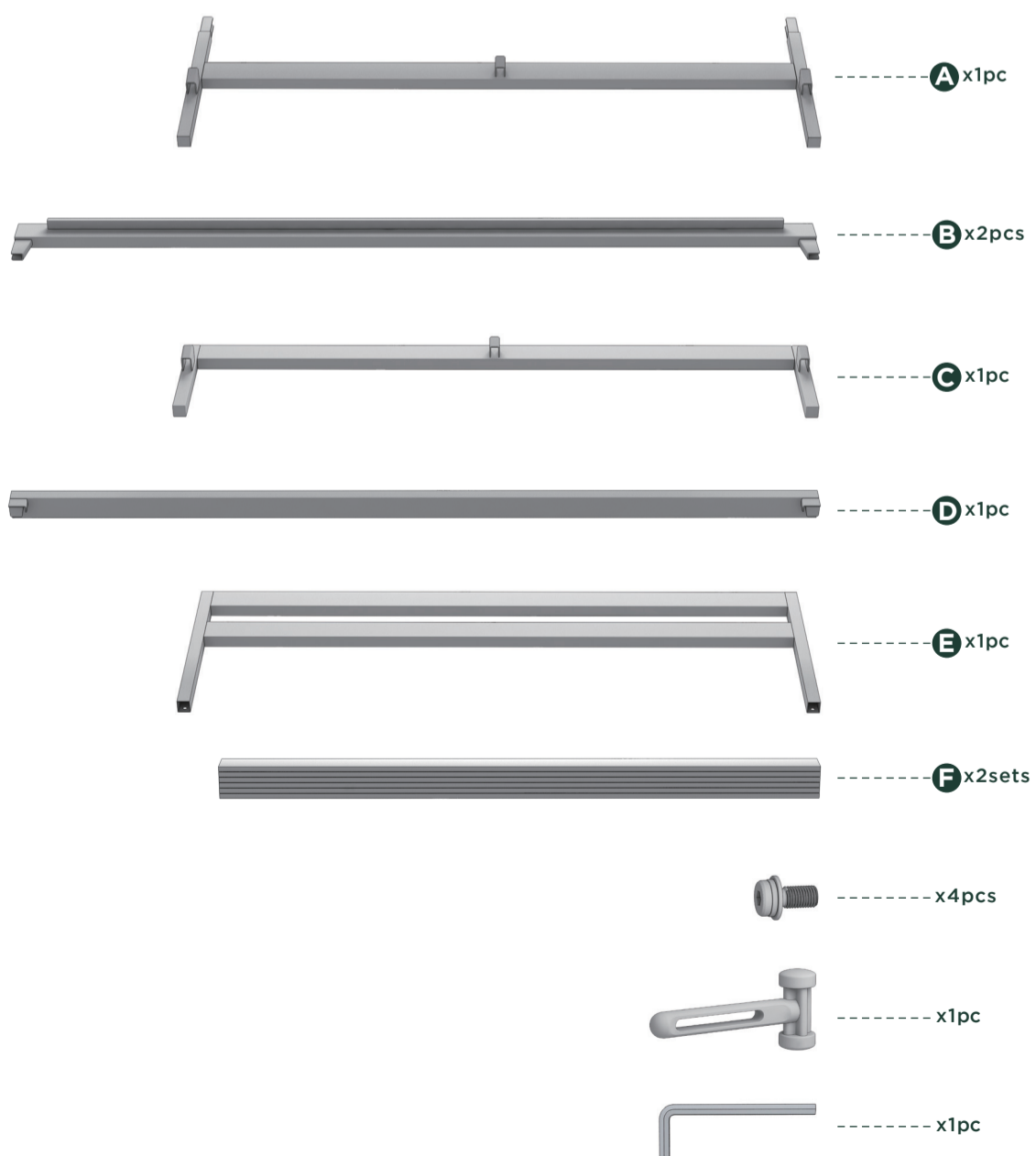


Easy as 1-2-3 Assembly Instruction

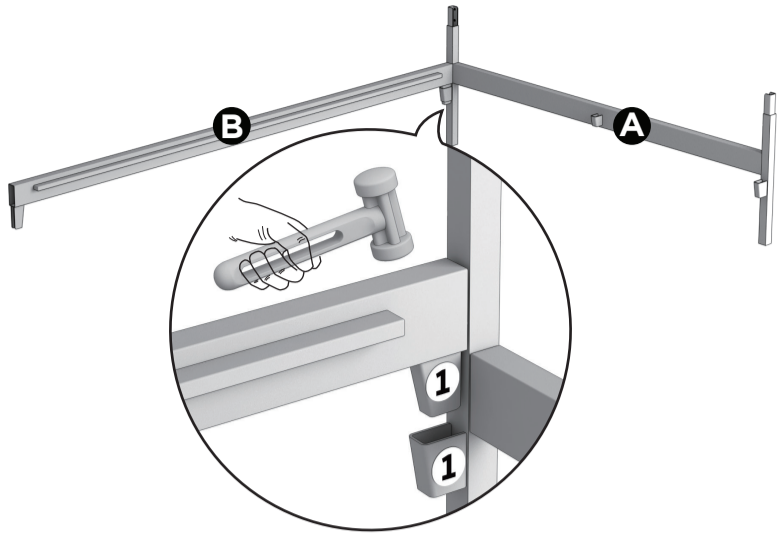
Numbers must Match for Secure Assembly



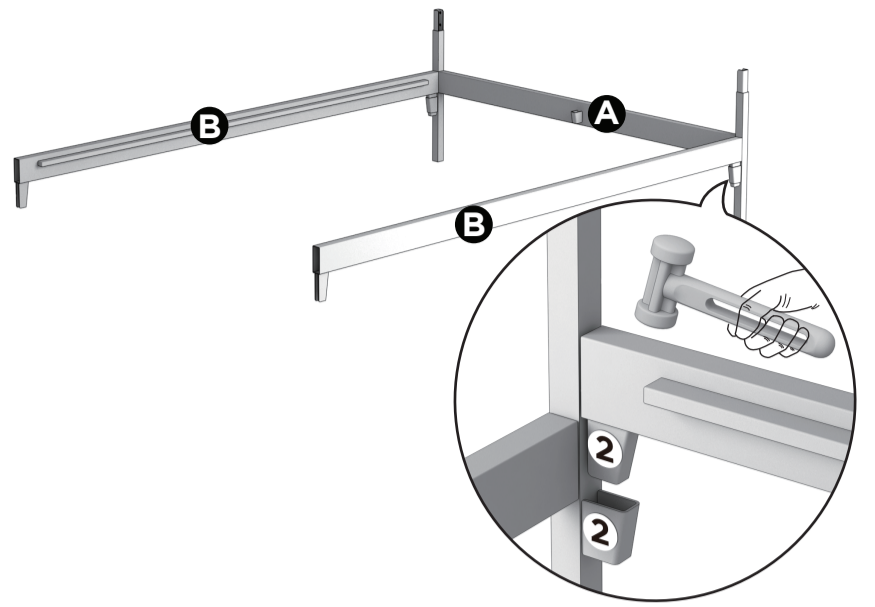
Components



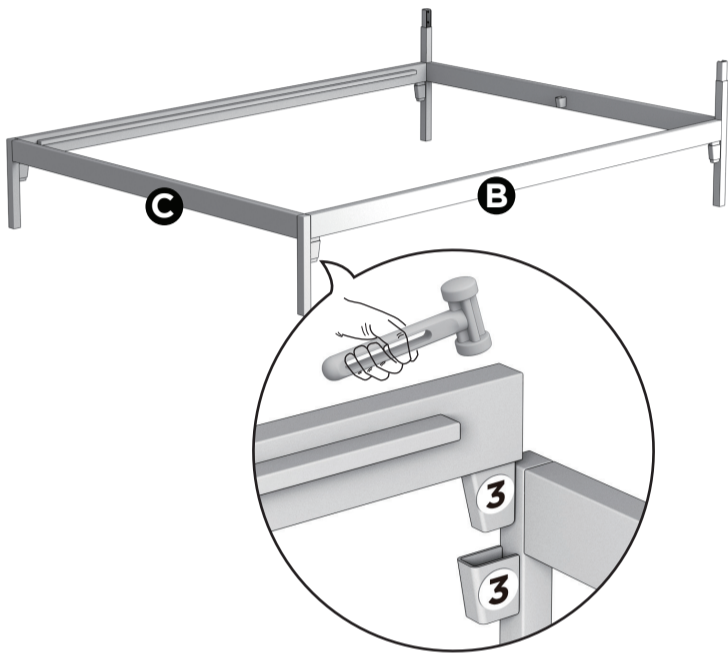
1



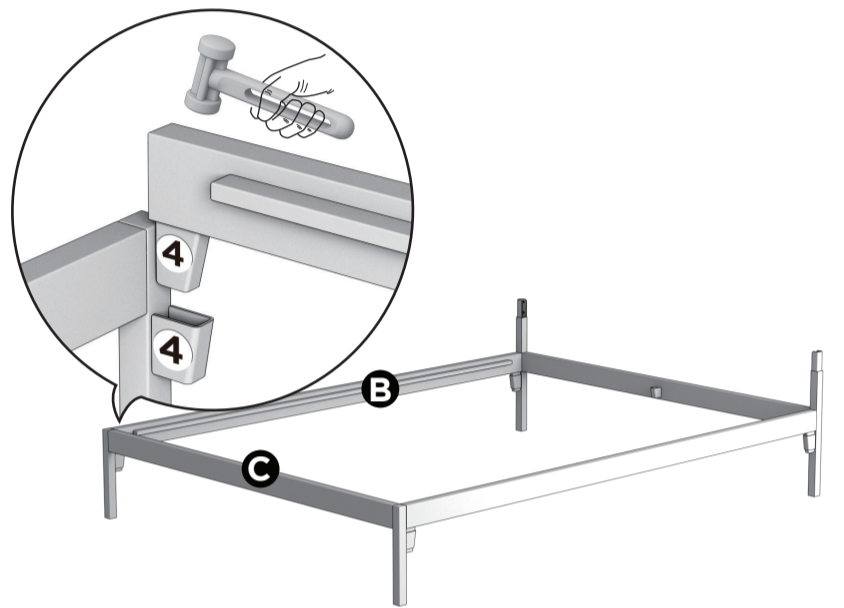
2



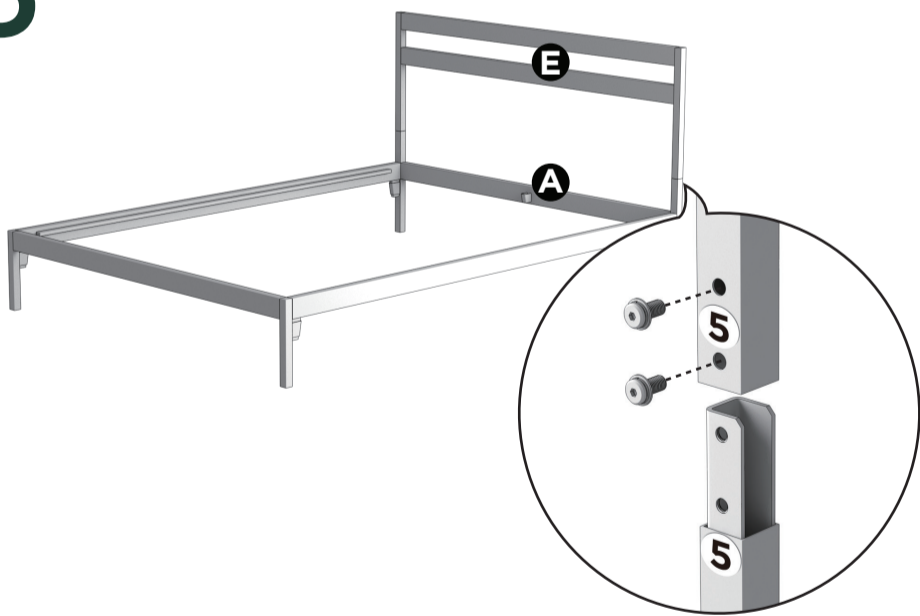
3



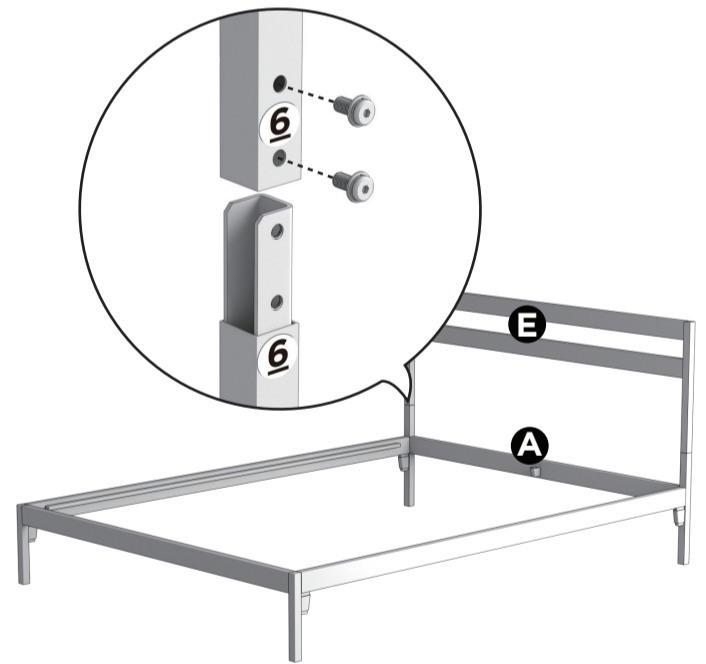
4



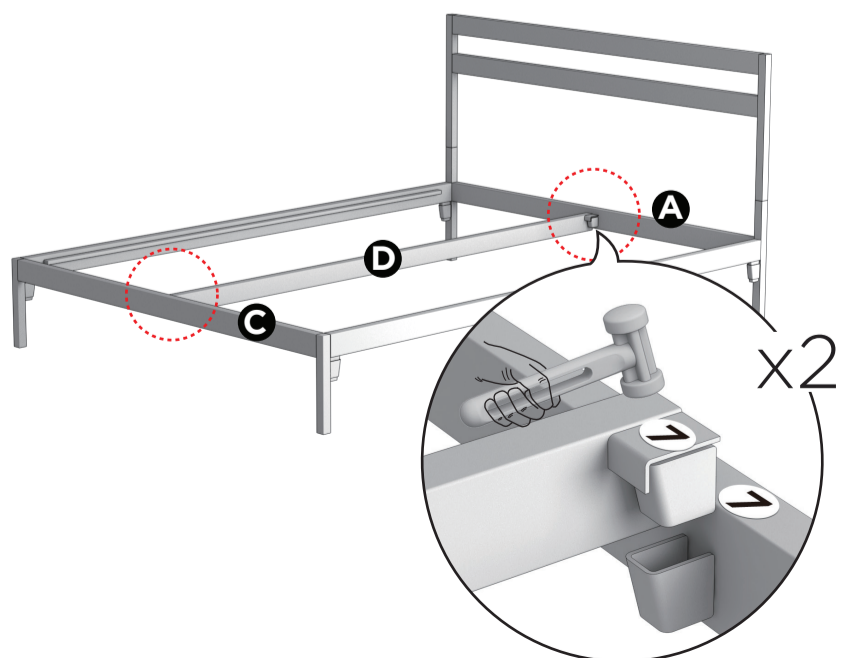
5



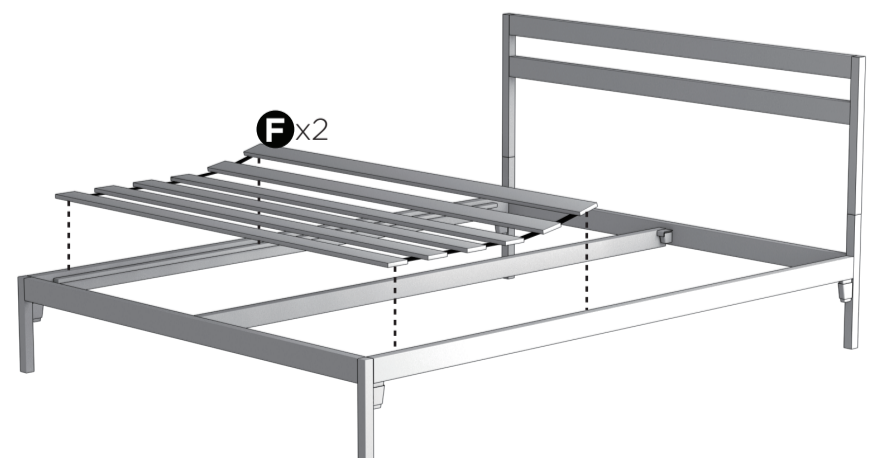
6



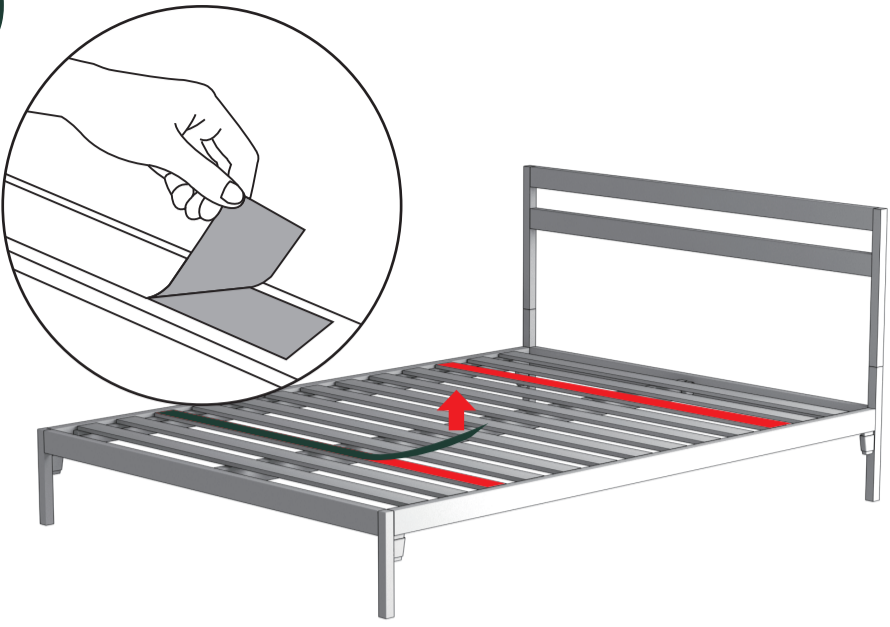
7



8



9



10

