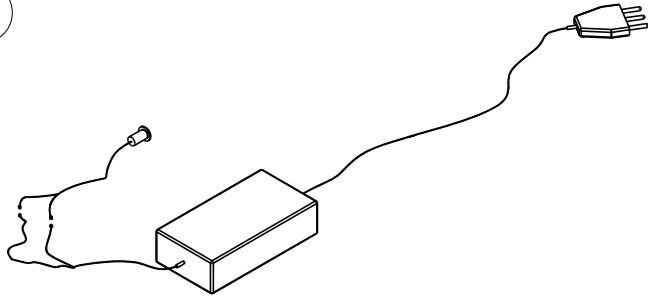
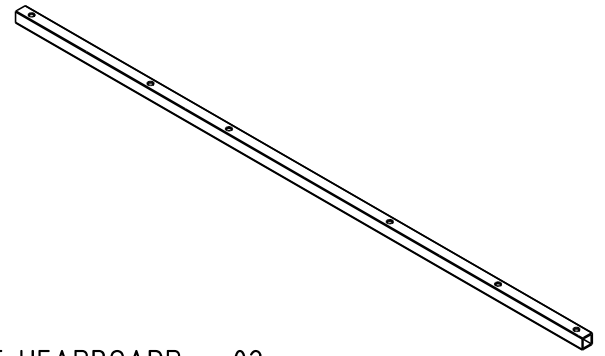


K



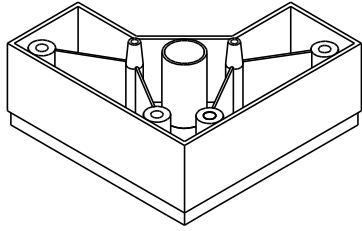
SWITCH+TRANSFORMER FOR LED nr.01

1



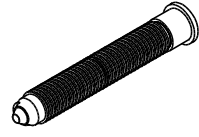
SUPPORT HEADBOARD nr.02

2



LEGS nr.02

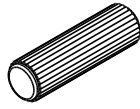
3



SCREW 4,5X50 nr.8

4

5



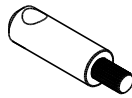
WOOD PINS 8x30 nr.20 =4
WOOD PINS 8x40 nr.06 =5

6



METAL FIXING -A- nr.20

7



METAL FIXING -B- nr.20

8



METAL FIXING -C- nr.20

9



SCREW FOR SUPPORT HEADBOARD 8x30 nr.12

10



FAST CAPS nr.16