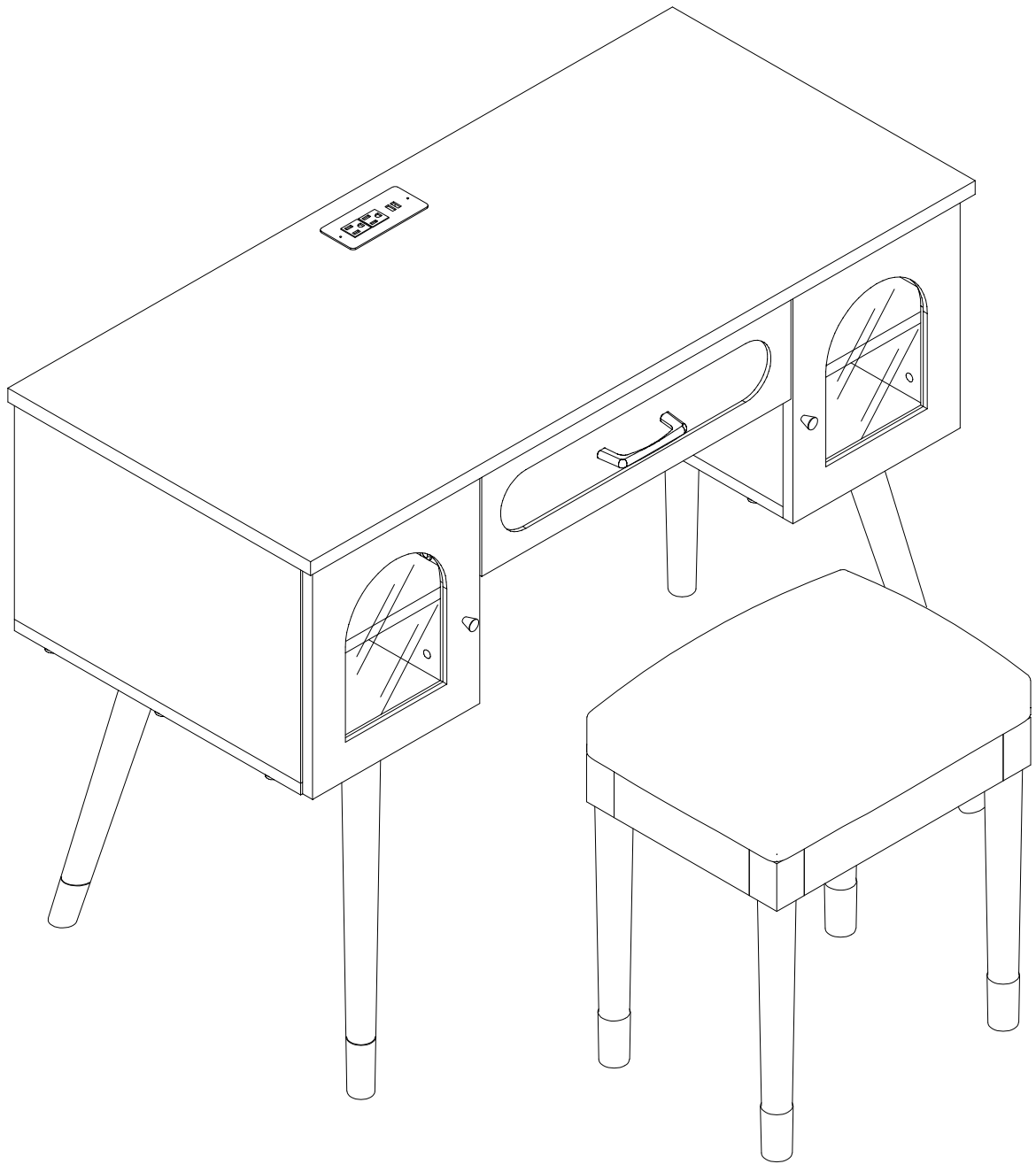


TABLE SET

Assembly Instructions - Please keep for future reference



Important - Please read these instructions fully before starting assembly



Safety and Care Advise

Important - Please read these instructions fully before starting assembly

Check you have all the components and tools listed on the following pages.

Remove all fittings from the plastic bags and separate them into their groups.

Keep children and animals away from the work area, small parts could choke if swallowed.

Make sure you have enough space to layout the parts before starting.

During assembly do not stand or put weight on the product. this could cause damage.

Assemble the item as close to its final position (in the same room) as possible.

Assemble on a soft level surface to avoid damaging the unit or your floor.

Parts of the assembly will be easier with 2 people.

To reduce the likelihood of damaging your product please ensure that your power drill is set on a low torque setting.



Care and maintenance

Only clean using a damp cloth and mild detergent, do not use bleach or abrasive cleaners.

From time to time check that there are no loose screws on this unit.

This product should not be discarded with household waste. Take to your local authority waste disposal centre.

Handly Hints

Assemble all parts and bolts loosely during assembly, only once the product is complete should you fully tighten the bolts.

Regularly check and ensure that all bolts and fittings are tightened properly.

WARNING

In order to help prevent overturning - please follow these instructions

To help prevent product toppling over please follow the below steps:

Use the anti tip strap or wall fixing method provided (if applicable)

Do not allow children to climb or hang on the furniture

Do not open more than one drawer at a time

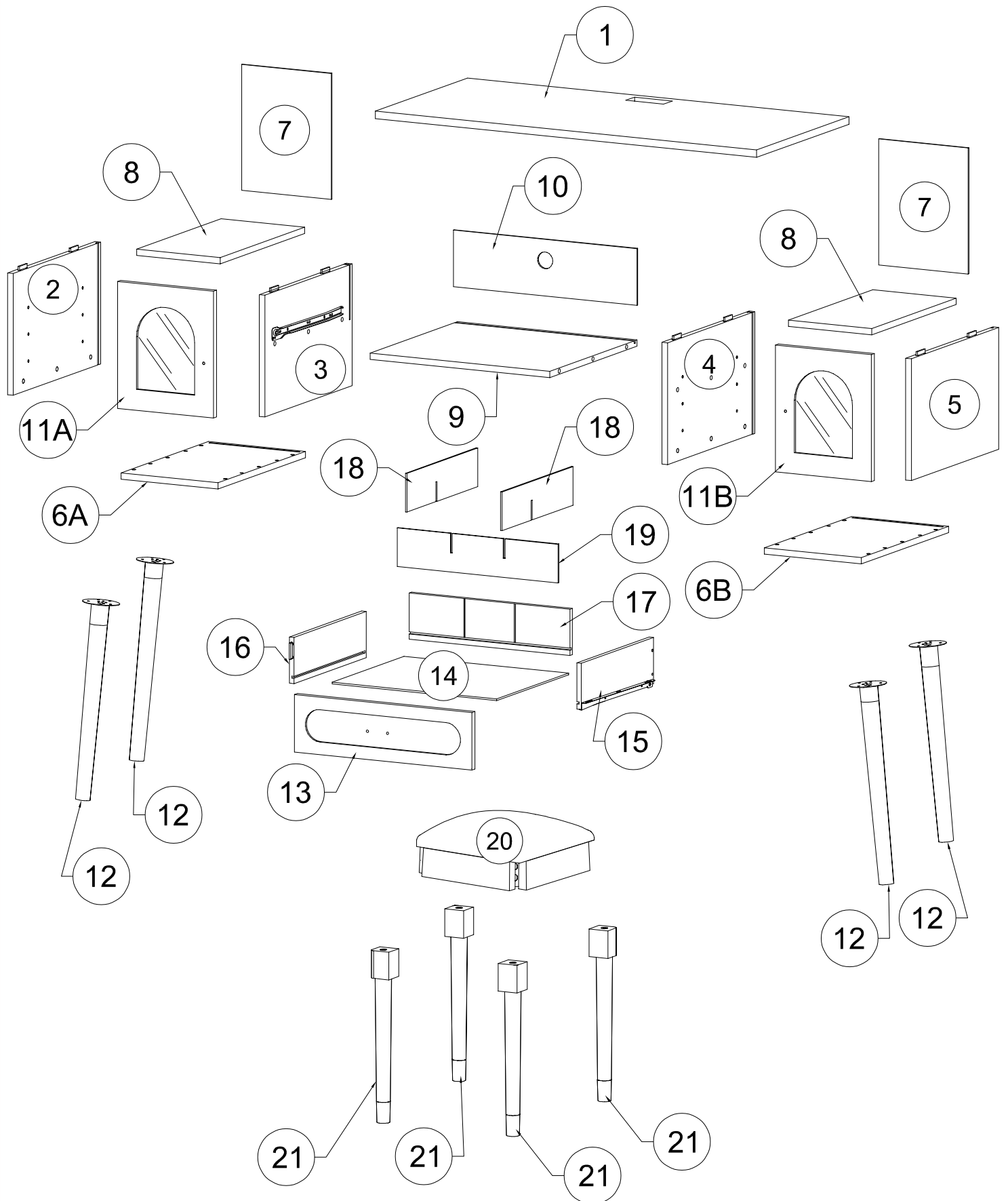
Do not place heavy items in the top drawers

Do not place heavy items on top of the furniture, unless the furniture has been designed for this purpose

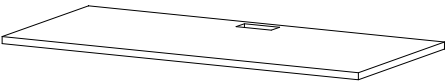
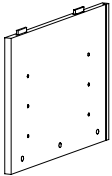
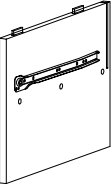
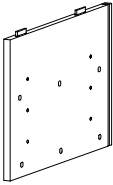
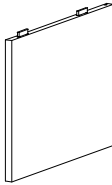
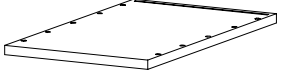
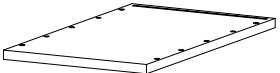

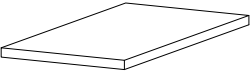

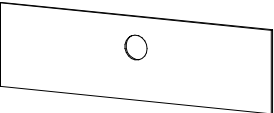
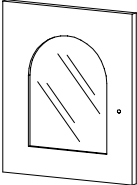
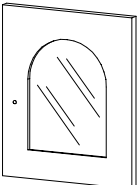
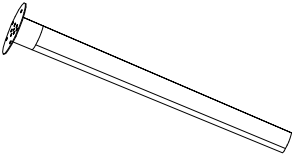
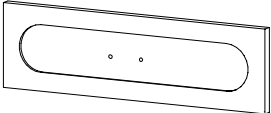

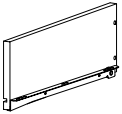
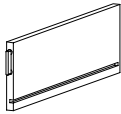
Please note that only the anti tip strap is provided.

You will need to provide wall plugs and screws applicable for your wall type.

ASSEMBLY INSTRUCTION

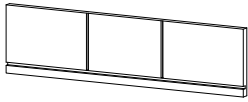


Part List

<p>1</p>  <p>Table Top - 1pc</p>	<p>2</p>  <p>Left Side Panel - 1pc</p>	<p>3</p>  <p>Left Side Panel - 1pc</p>
<p>4</p>  <p>Right Side Panel - 1pc</p>	<p>5</p>  <p>Right Side Panel - 1pc</p>	<p>6A</p>  <p>Left Bottom Panel - 1pc</p>
<p>6B</p>  <p>Right Bottom Panel - 1pc</p>	<p>7</p>  <p>Back Panel - 2pcs</p>	<p>8</p>  <p>Adjustable Shelf - 2pcs</p>
<p>9</p>  <p>Fixed Shelf - 1pc</p>	<p>10</p>  <p>Back Panel - 1pc</p>	<p>11A</p>  <p>Left Side Door - 1pc</p>
<p>11B</p>  <p>Right Side Door - 1pc</p>	<p>12</p>  <p>Table Legs - 4pcs</p>	<p>13</p>  <p>Drawer - Front Panels - 1pc</p>
<p>14</p>  <p>Drawer - Bottom Panels - 1pc</p>	<p>15</p>  <p>Drawer - Right Side Panels - 1pc</p>	<p>16</p>  <p>Drawer - Left Side Panels - 1pc</p>

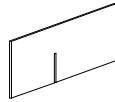
Part List

17



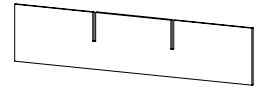
Drawer - Back Panels - 1pc

18



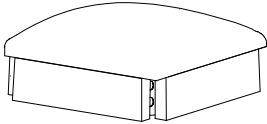
Drawer - Divider - 2pcs

19



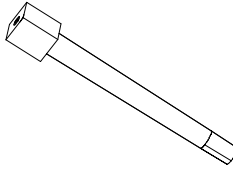
Drawer - Divider - 1pc

20



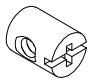
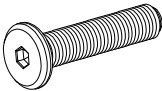
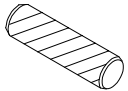
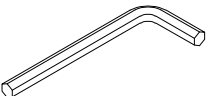
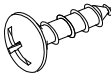
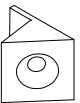
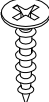
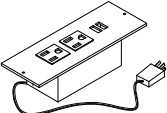
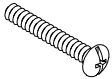
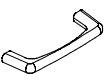
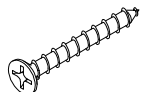
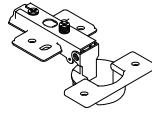
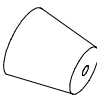
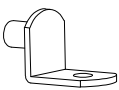
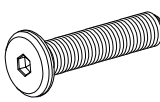
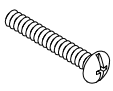

Cushions - 1pc

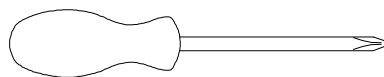
21



Chair Legs - 4pcs

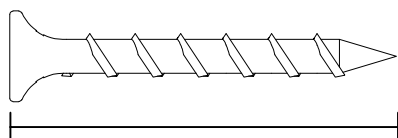
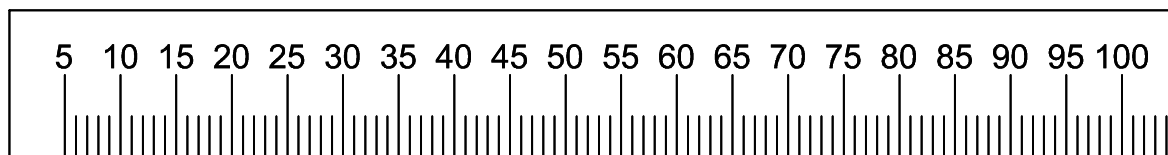
Hardware List

<p>A</p>  <p>1/4" x 12mm Horizontal -Hole bolts 18 pcs</p>	<p>B</p>  <p>1/4" x 50mm Hex-Head bolts 18 pcs</p>	<p>C</p>  <p>Ø8 x 30 mm Wood dowel 8 pcs</p>
<p>D</p>  <p>Allen Key 1 pc</p>	<p>E</p>  <p>M3.5 x 15 mm Wood Screws 55 pcs</p>	<p>F</p>  <p>Plastic Wedges 15 pcs</p>
<p>G</p>  <p>M3.5 x 15 mm Wood Screws 2 pcs</p>	<p>H</p>  <p>USB Power Outlet 1 pc (2700mm)</p>	<p>I</p>  <p>5/32" x 18 mm Truss Head Screw 2 pcs</p>
<p>J</p>  <p>Drawer Handles 1 pc</p>	<p>K</p>  <p>M4 x 30 mm Wood Screws 4 pcs</p>	<p>L</p>  <p>Straight Hinge - 4 pcs</p>
<p>M</p>  <p>Cabinet Door Handles 2 pcs</p>	<p>N</p>  <p>Shelf Pin 9mm 8 pcs</p>	<p>O</p>  <p>1/4" x 30mm Hex-Head bolts 8 pcs</p>
<p>P</p>  <p>5/32" x 22 mm Truss Head Screw 2 pcs</p>	<p>S</p>  <p>1 2 3 4 5</p> <p>Antifall 2 set</p>	



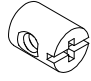
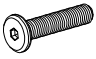
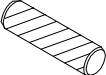
Assembly Tools Required (Not Included)

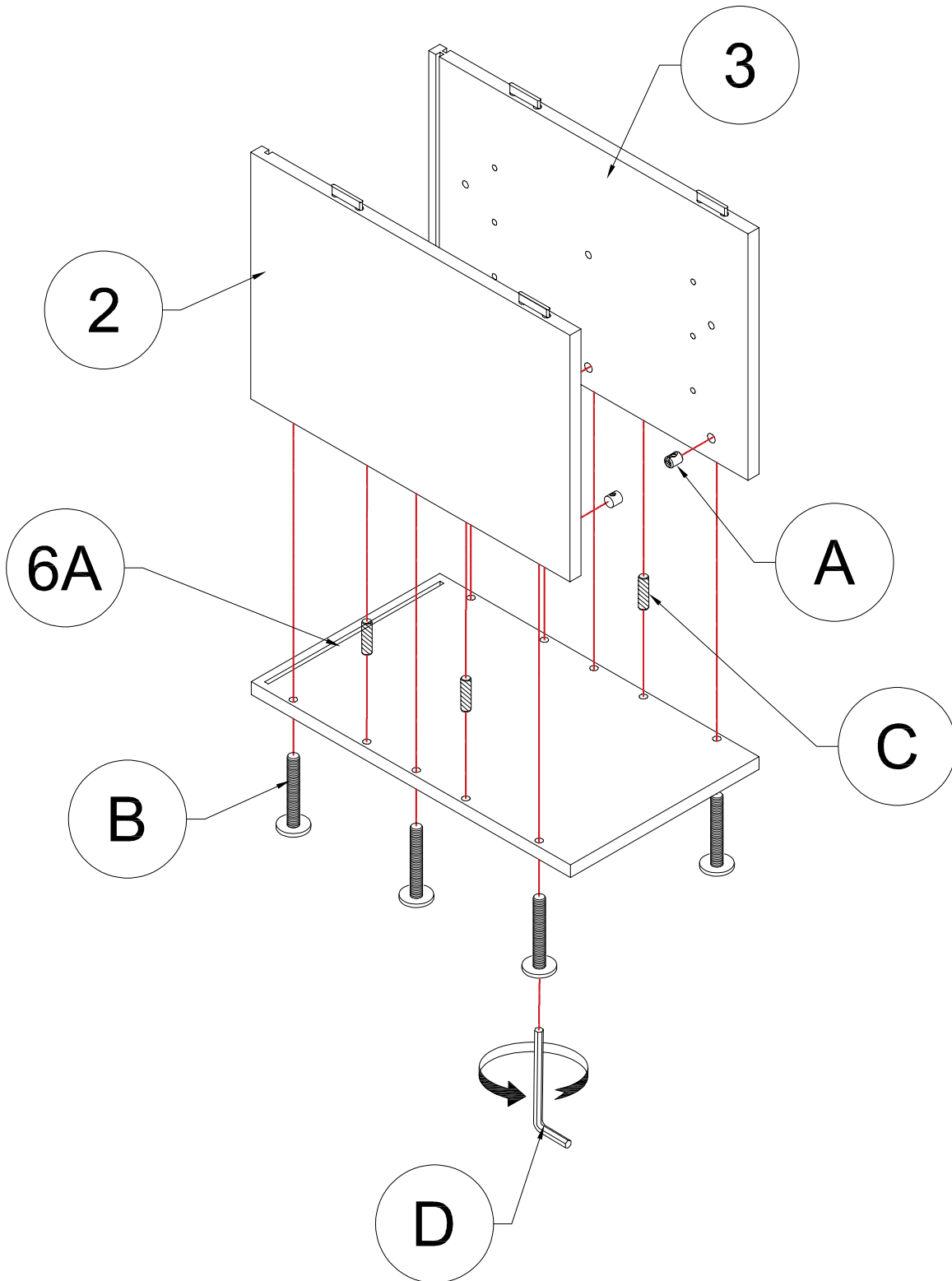
Use this ruler to help correctly identify the screws



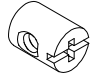
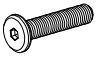
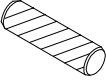
The screws length is measured from the head to the point (35mm screw shown)

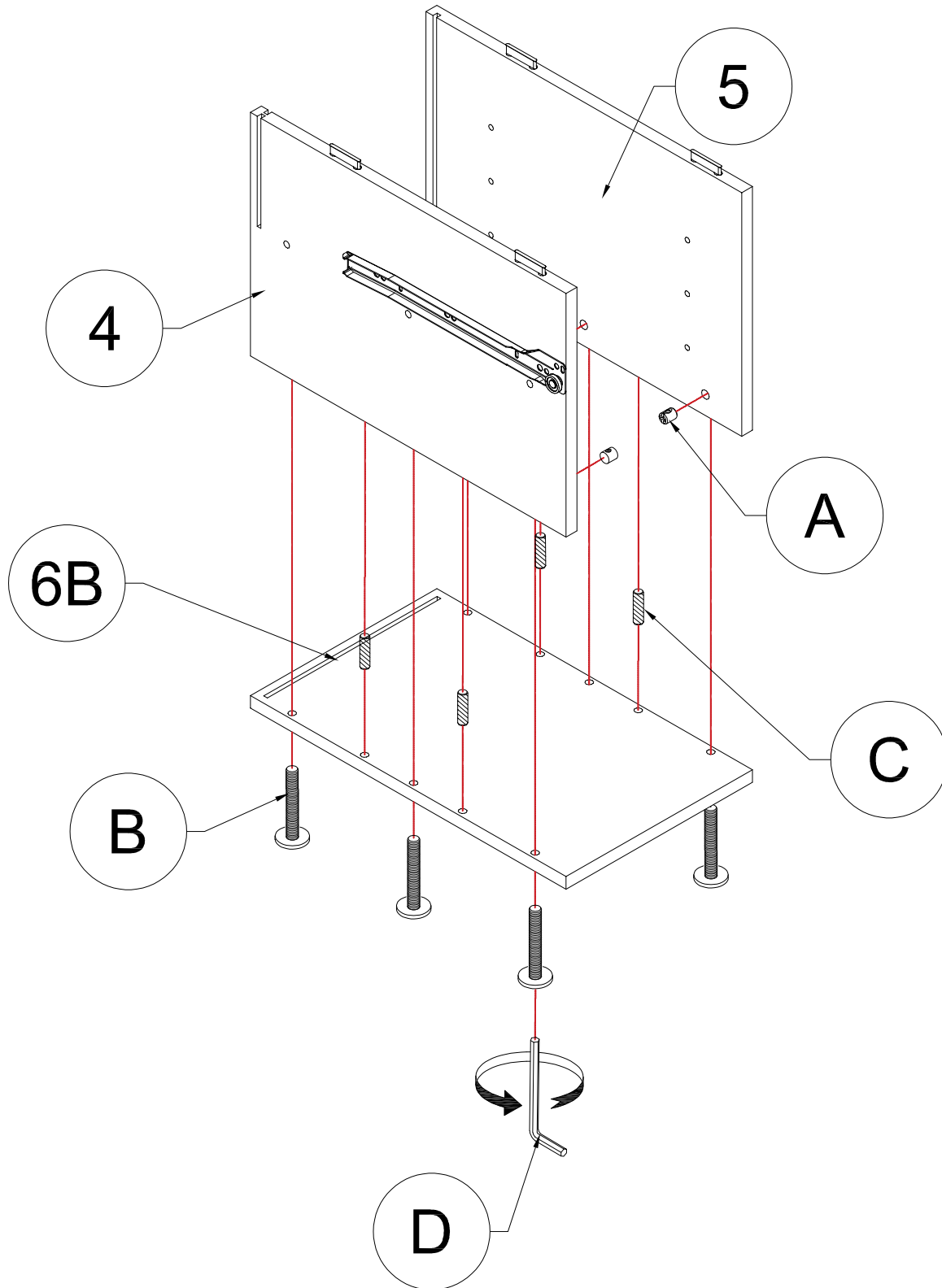
Step 1:

A 	B 	C 
6pcs	6pcs	4pcs

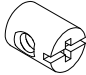
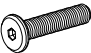


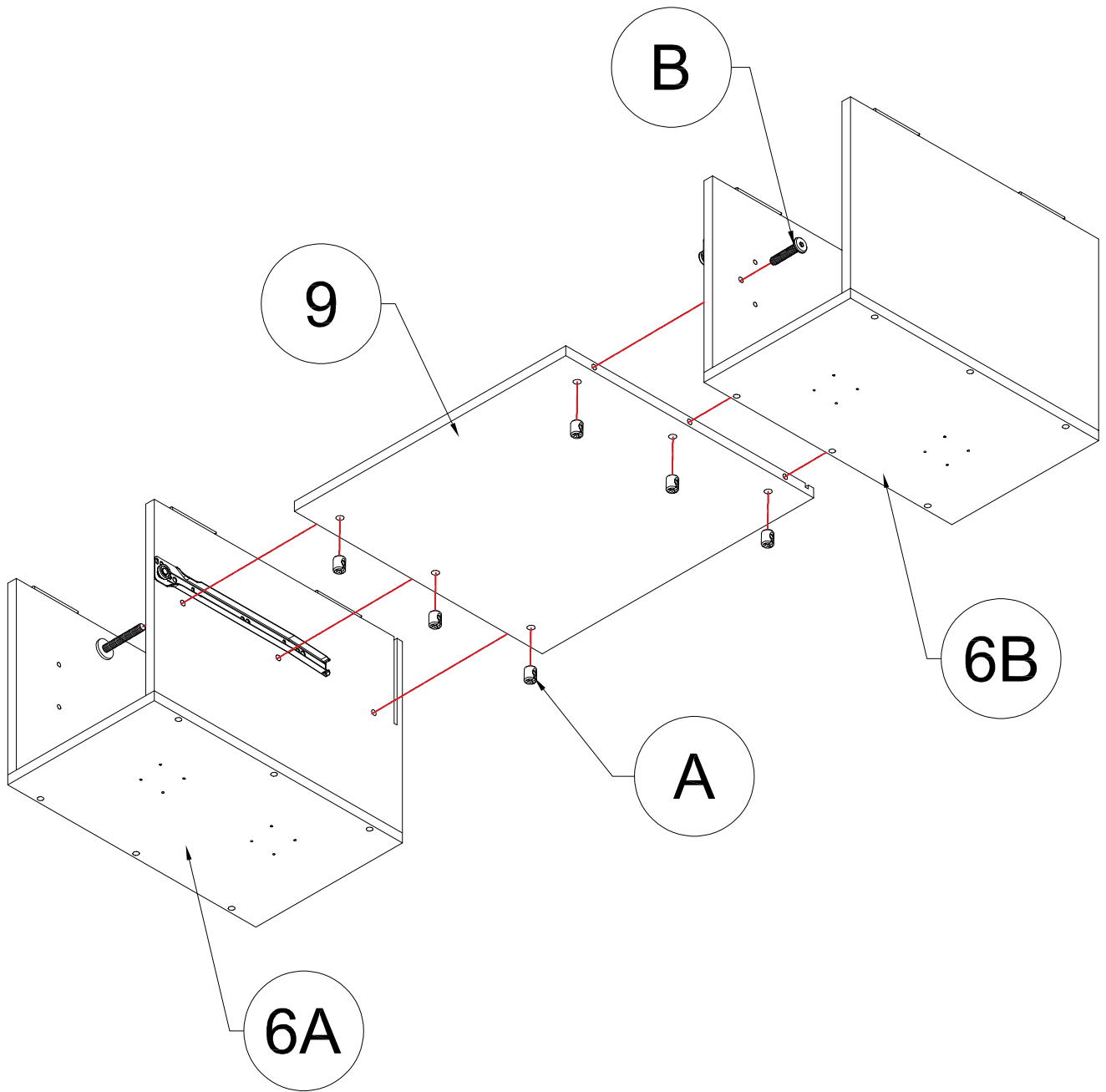
Step 2:

A 	B 	C 
6pcs	6pcs	4pcs

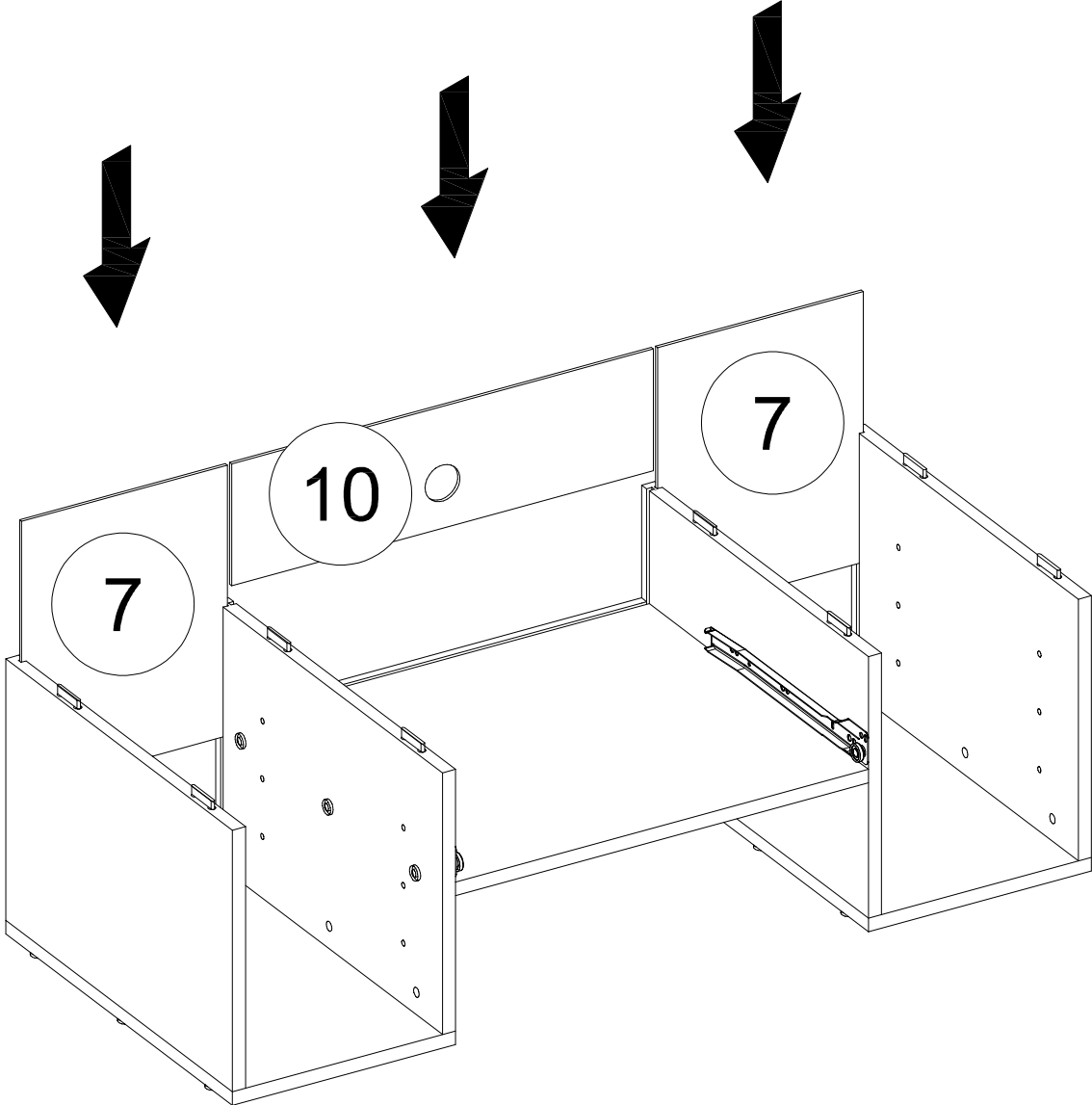


Step 3:

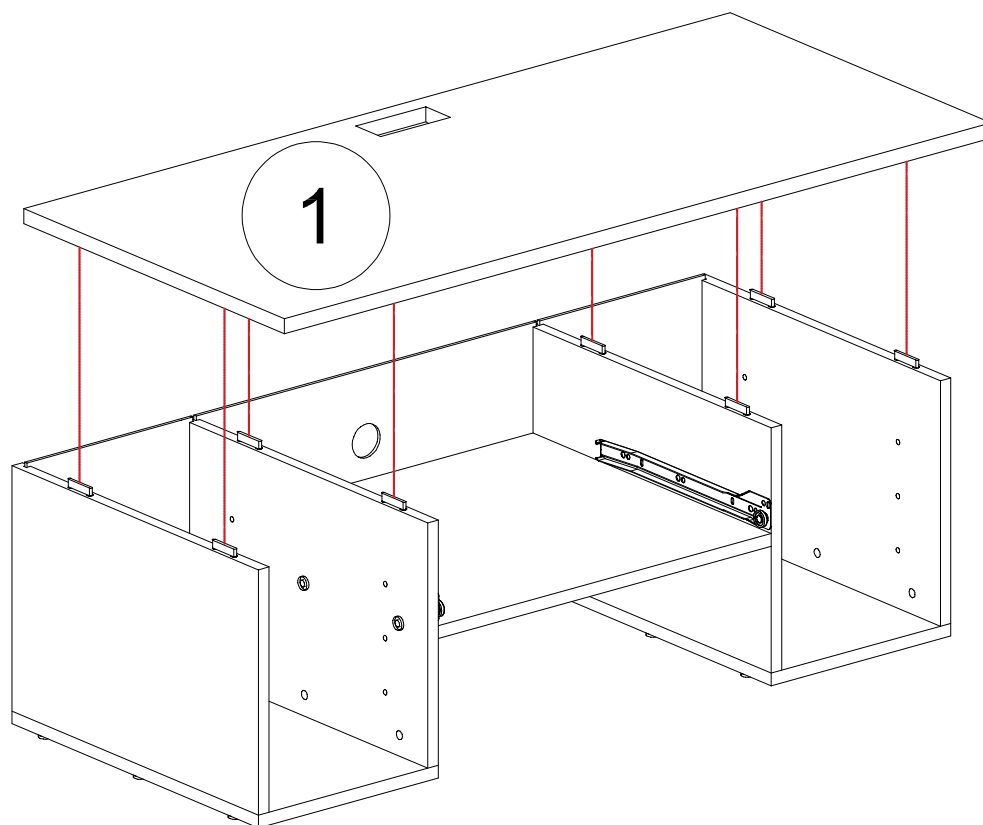
A 	B 
6pcs	6pcs



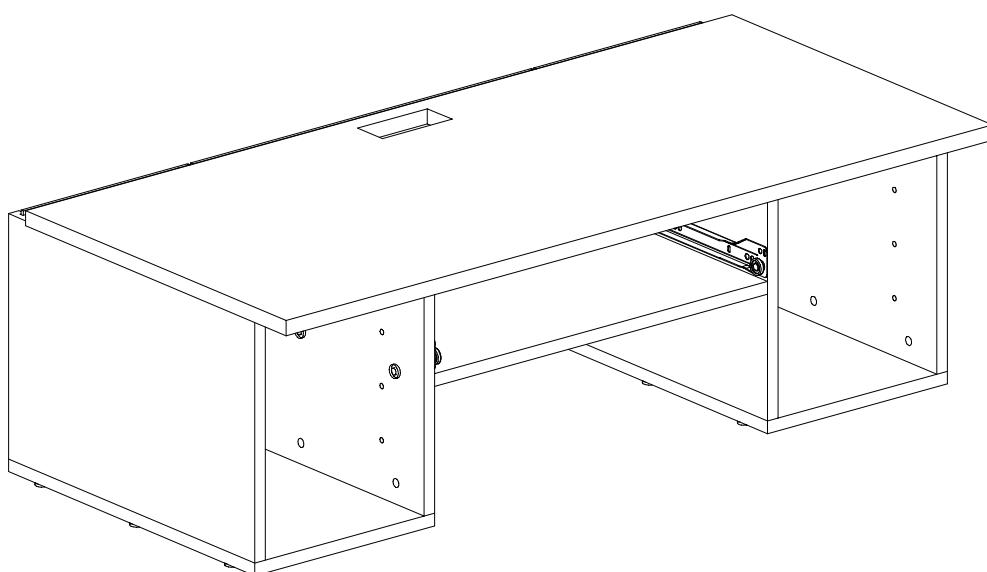
Step 4:



Step 5.1:

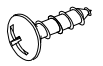


Step 5.2:



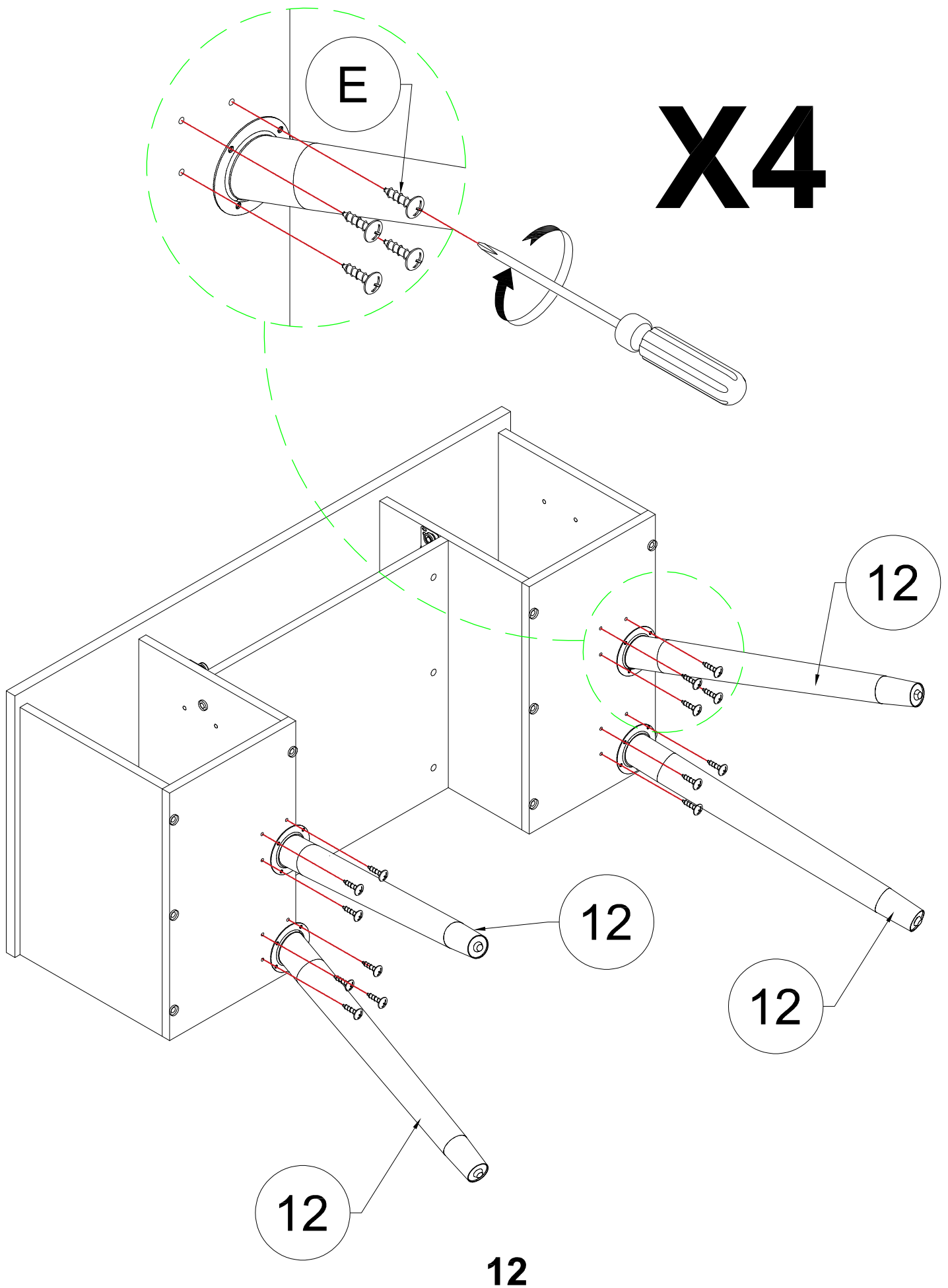
Step 6:

E

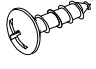
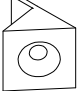


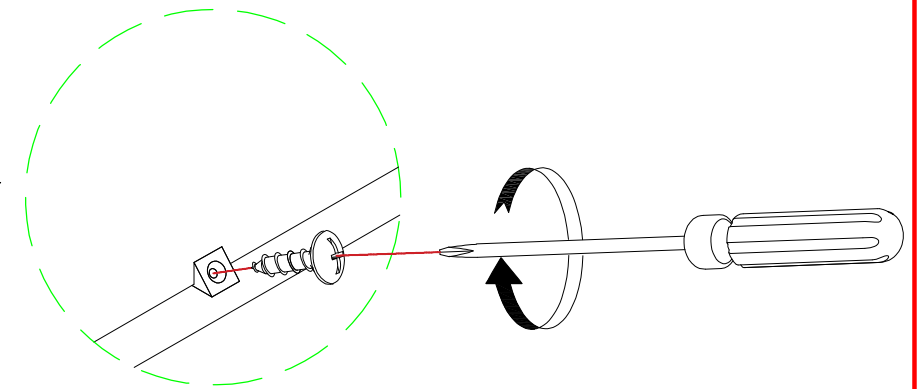
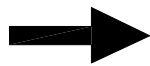
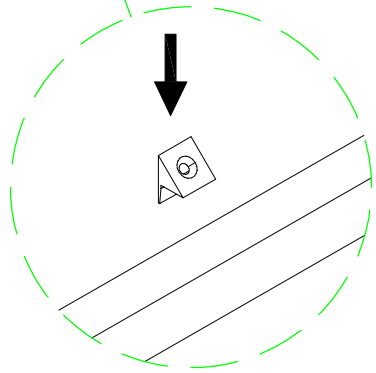
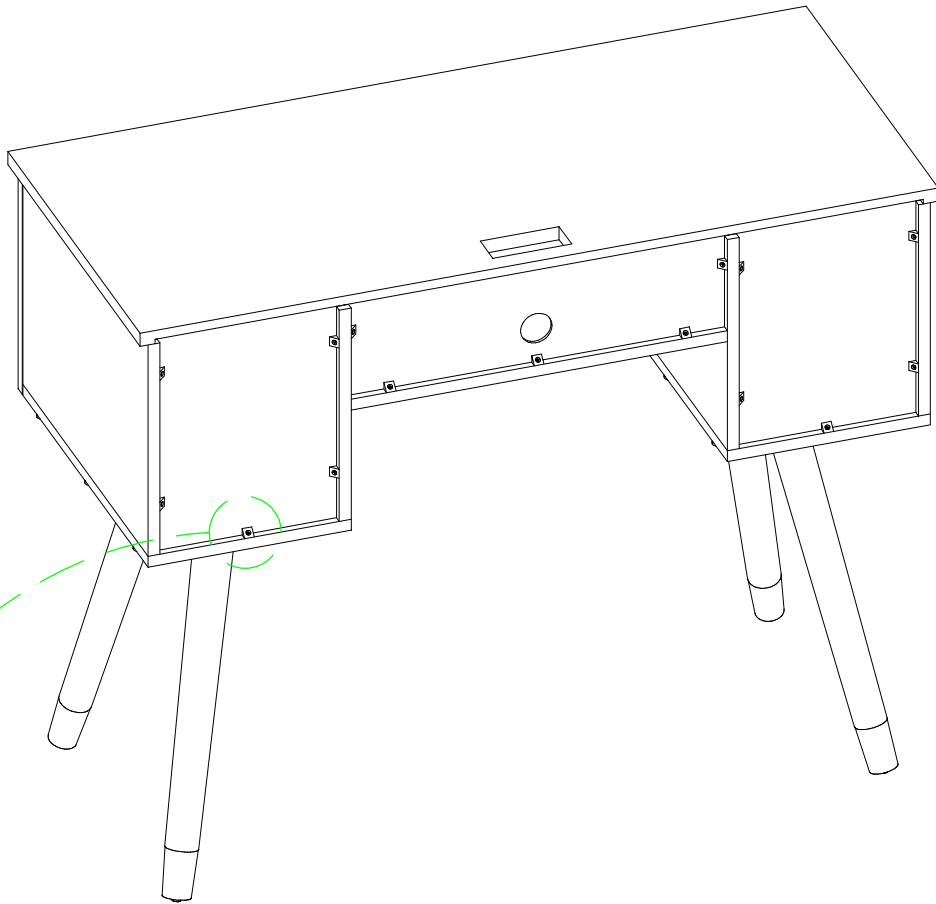
16pcs

X4


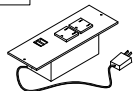


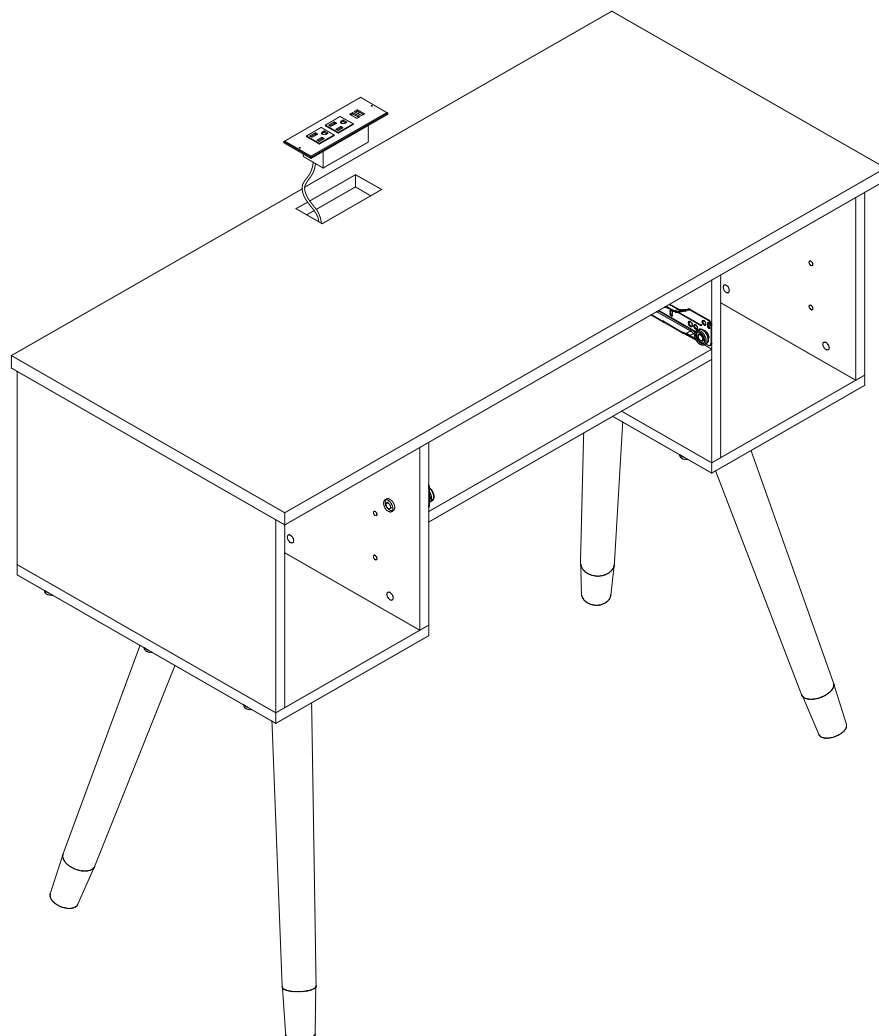
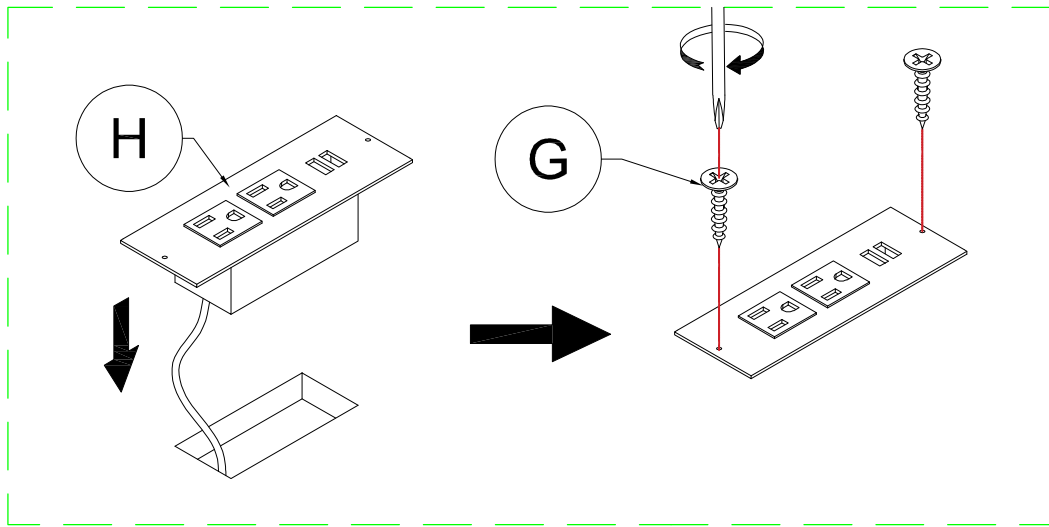
Step 7:

E 	F 
15pcs	15pcs

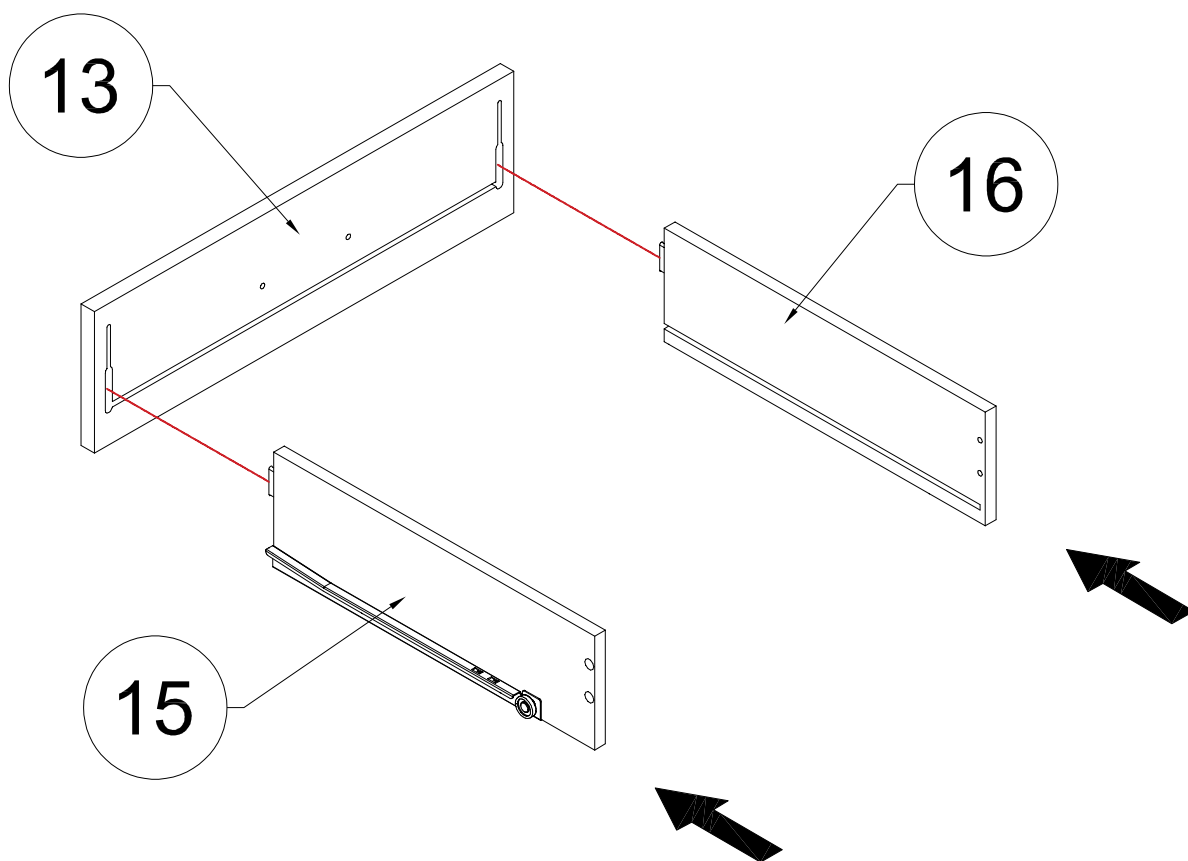


Step 8:

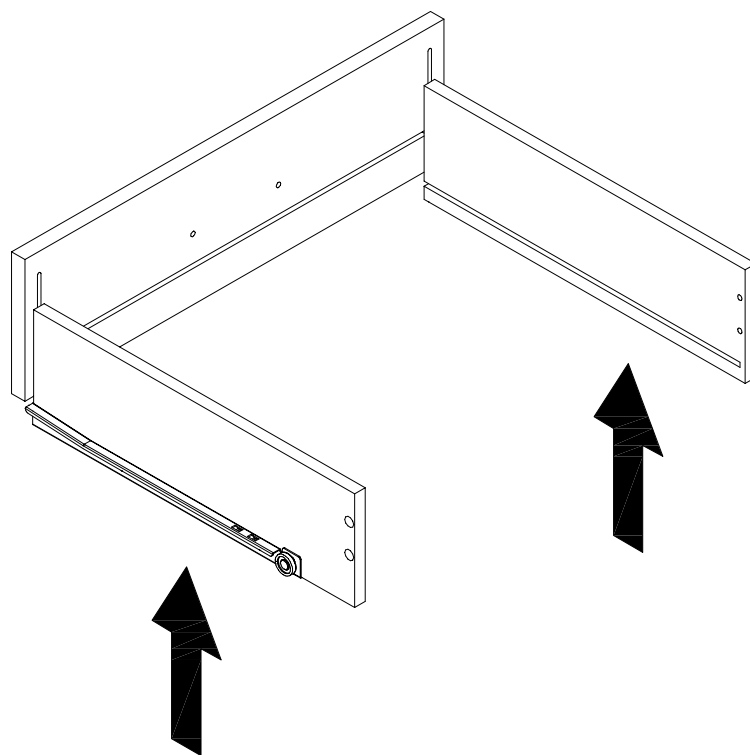
G 	H 
2pcs	1pc



Step 9.1:

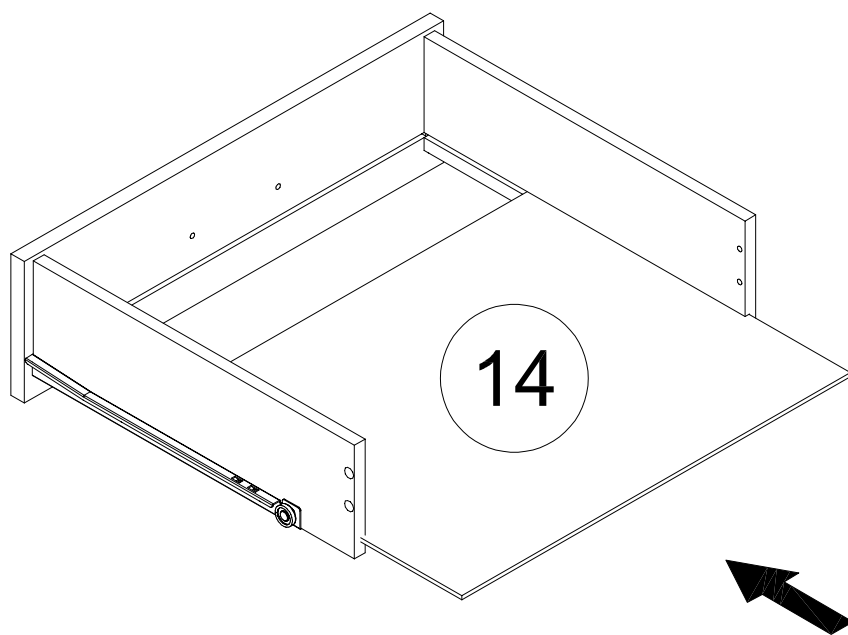


Step 9.2:

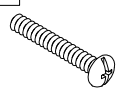
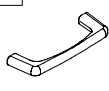
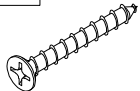


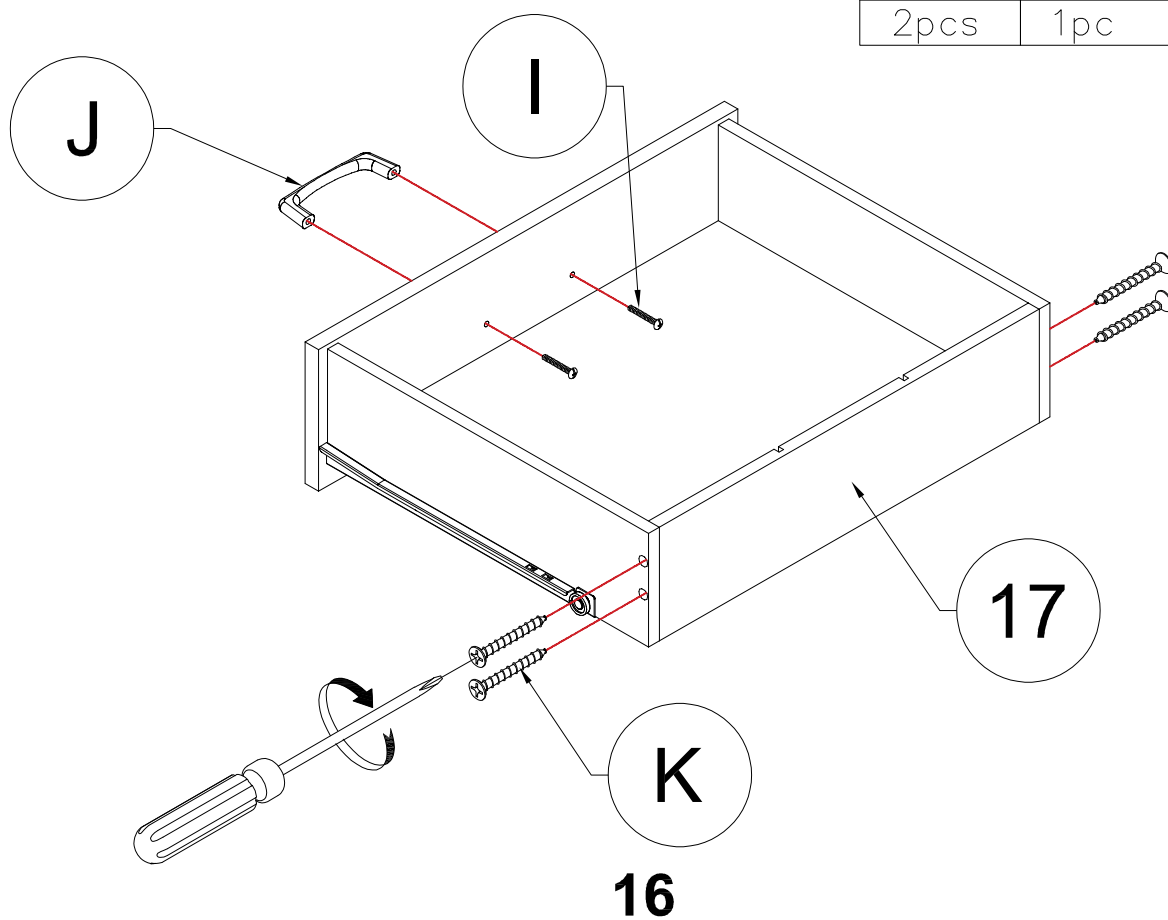
15

Step 10.1:

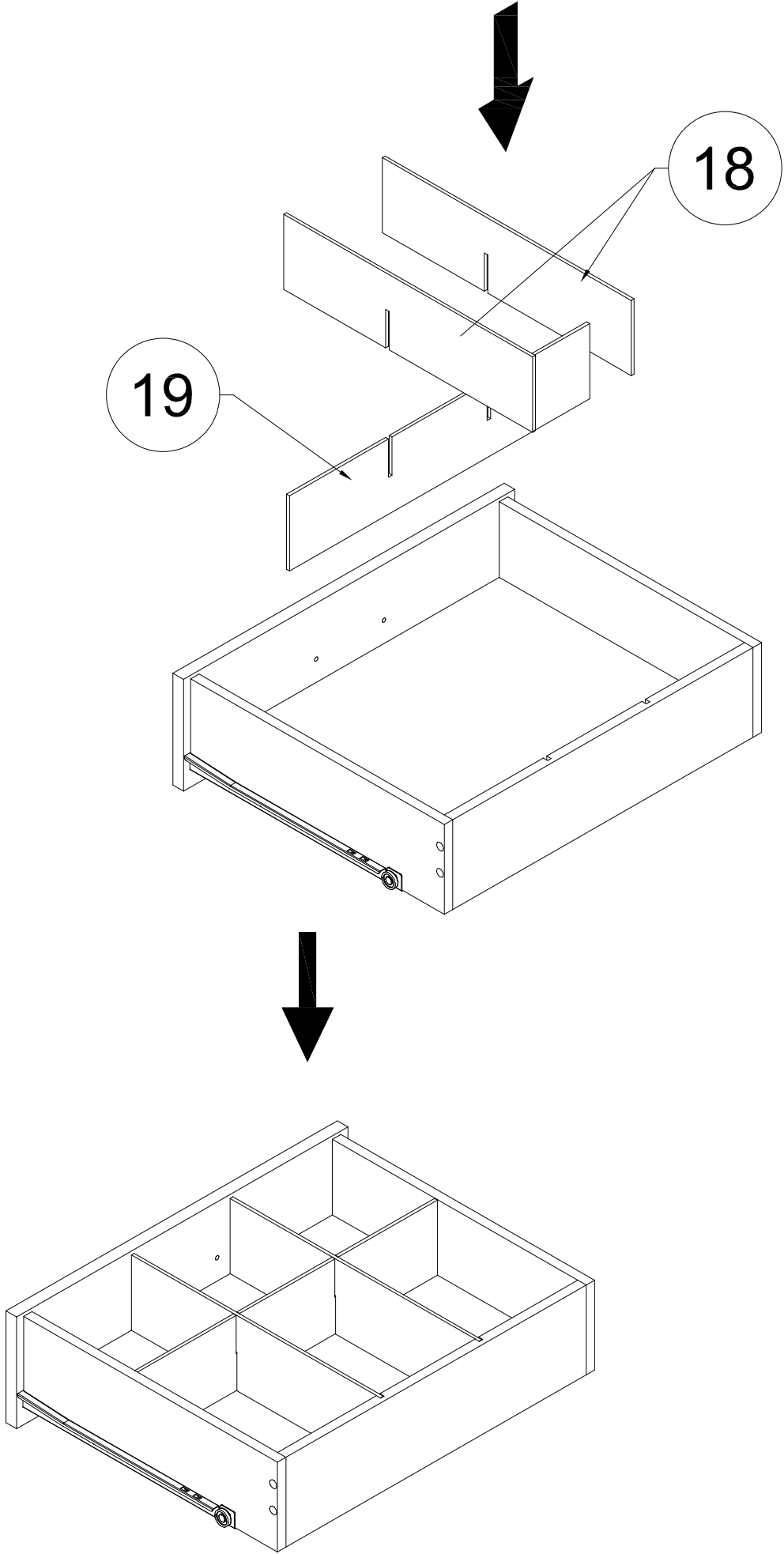


Step 10.2:

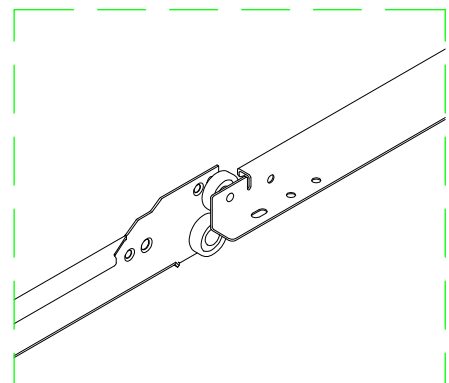
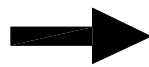
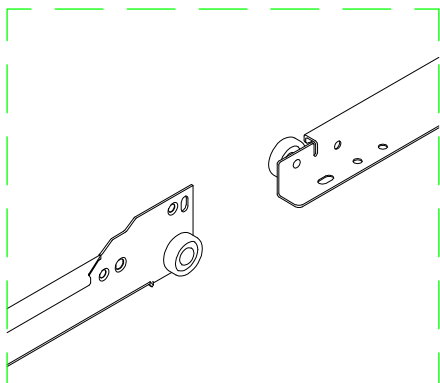
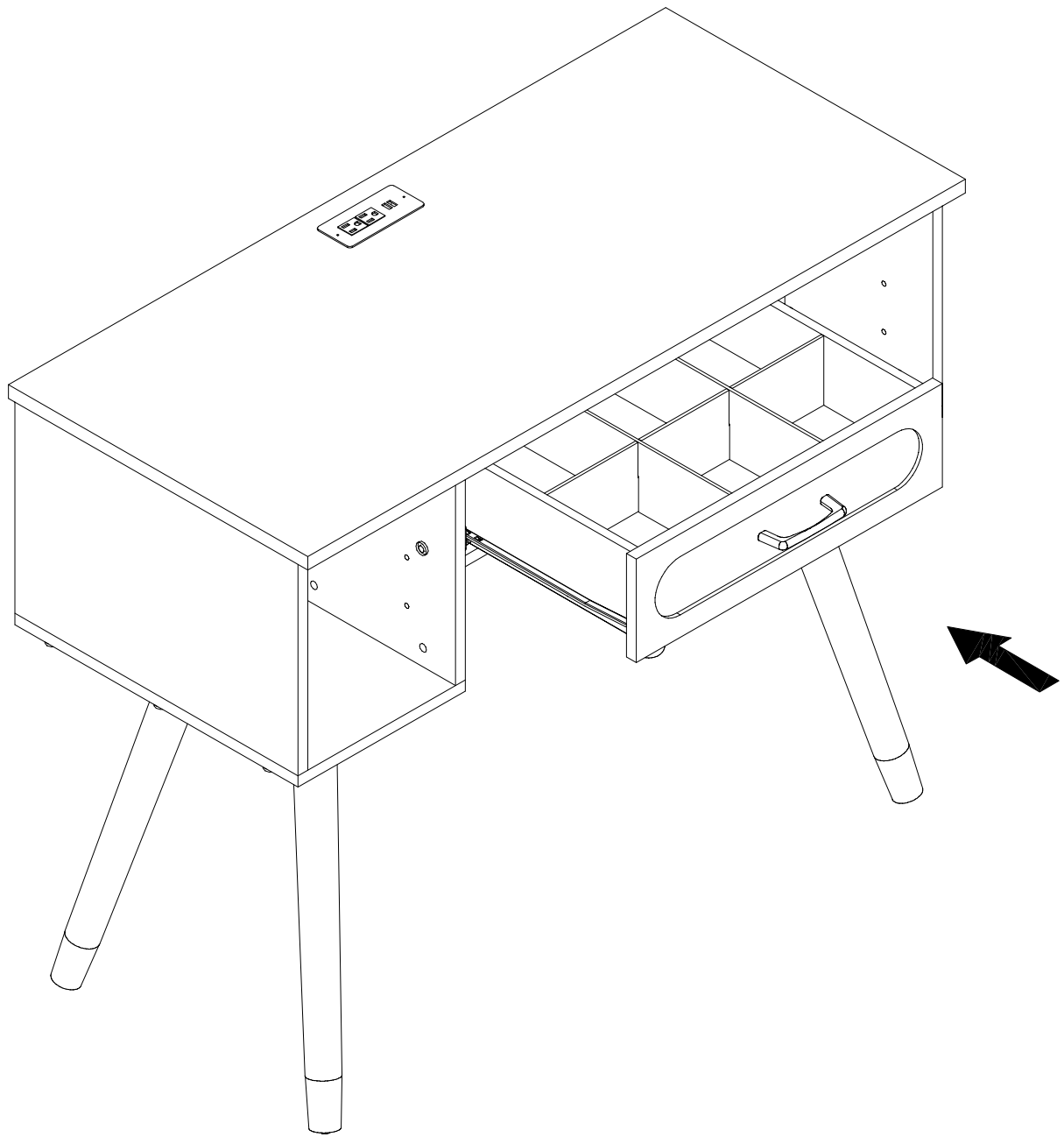
I	J	K
		
2pcs	1pc	4pcs



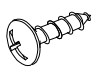
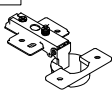
Step 11:

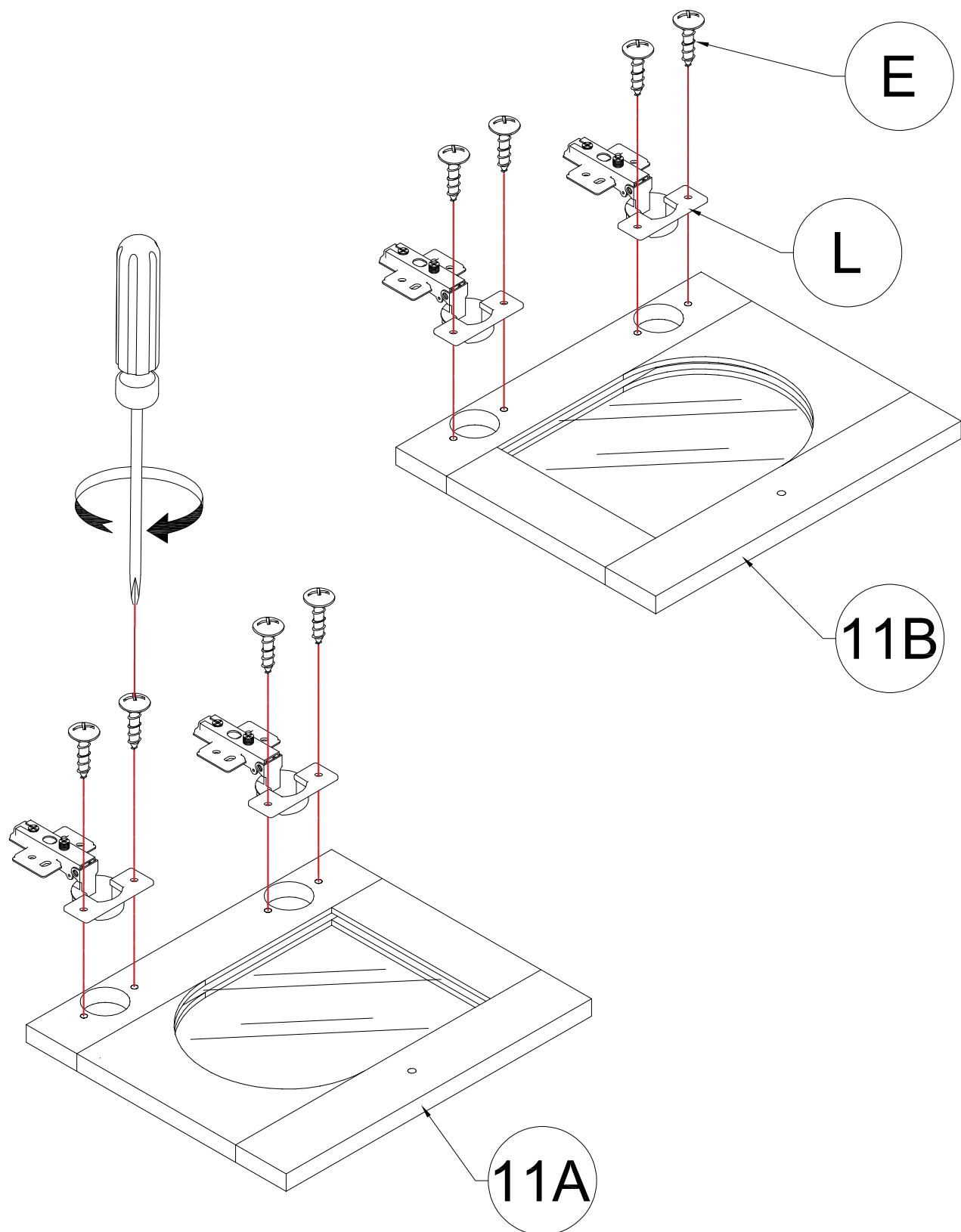


Step 12:



Step 13:

E	L
	
8pcs	4pcs



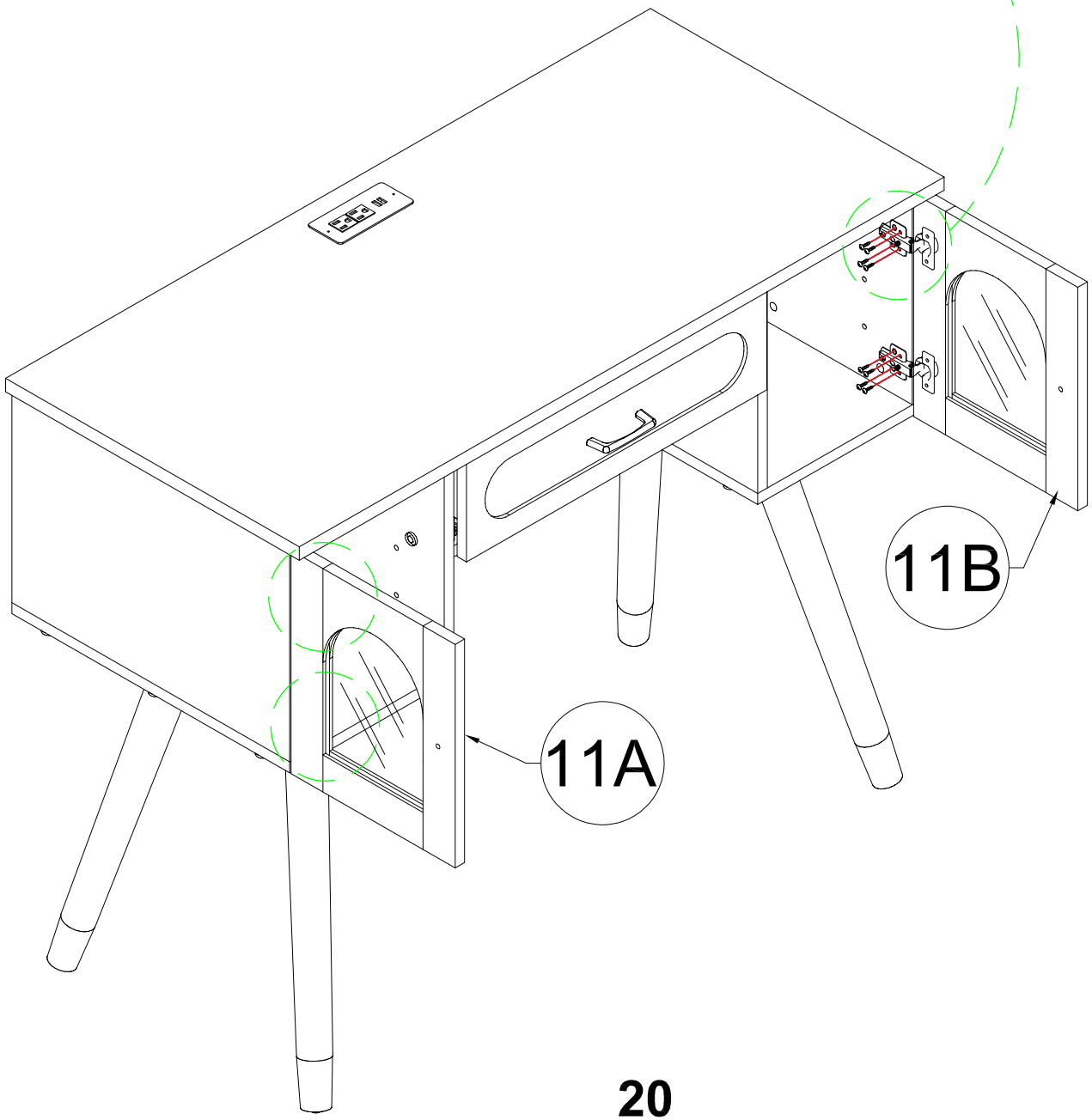
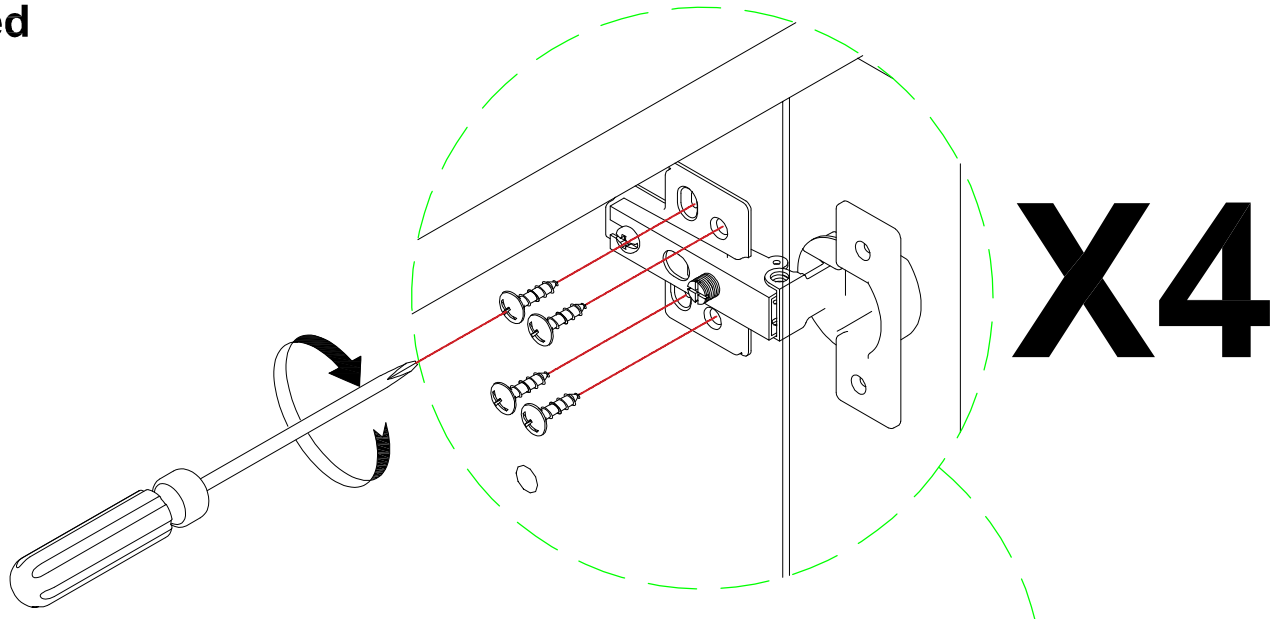
E



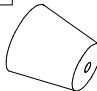
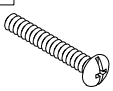
16pcs

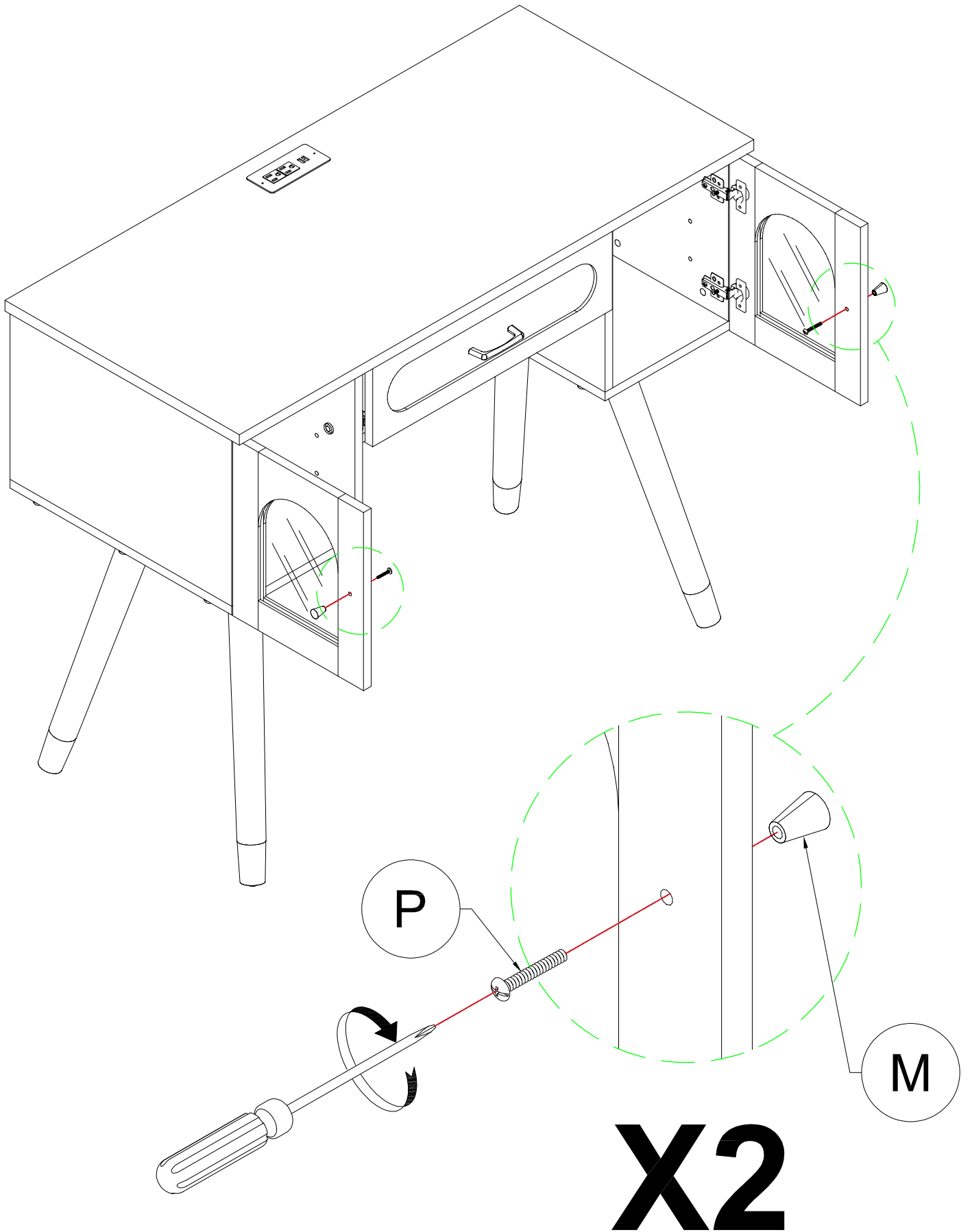
Step 14:

First install hinges with 2 screws in oval holes for door adjustment then install other 2 screws after doors are adjusted



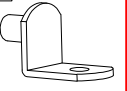
Step 15:

M	P
	
2pcs	2pcs

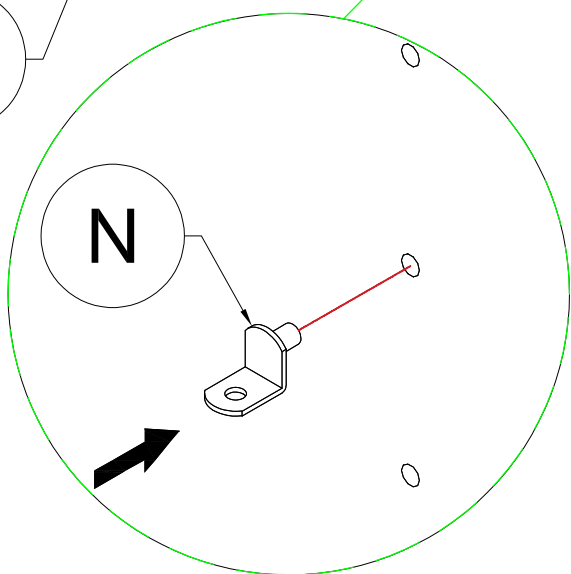
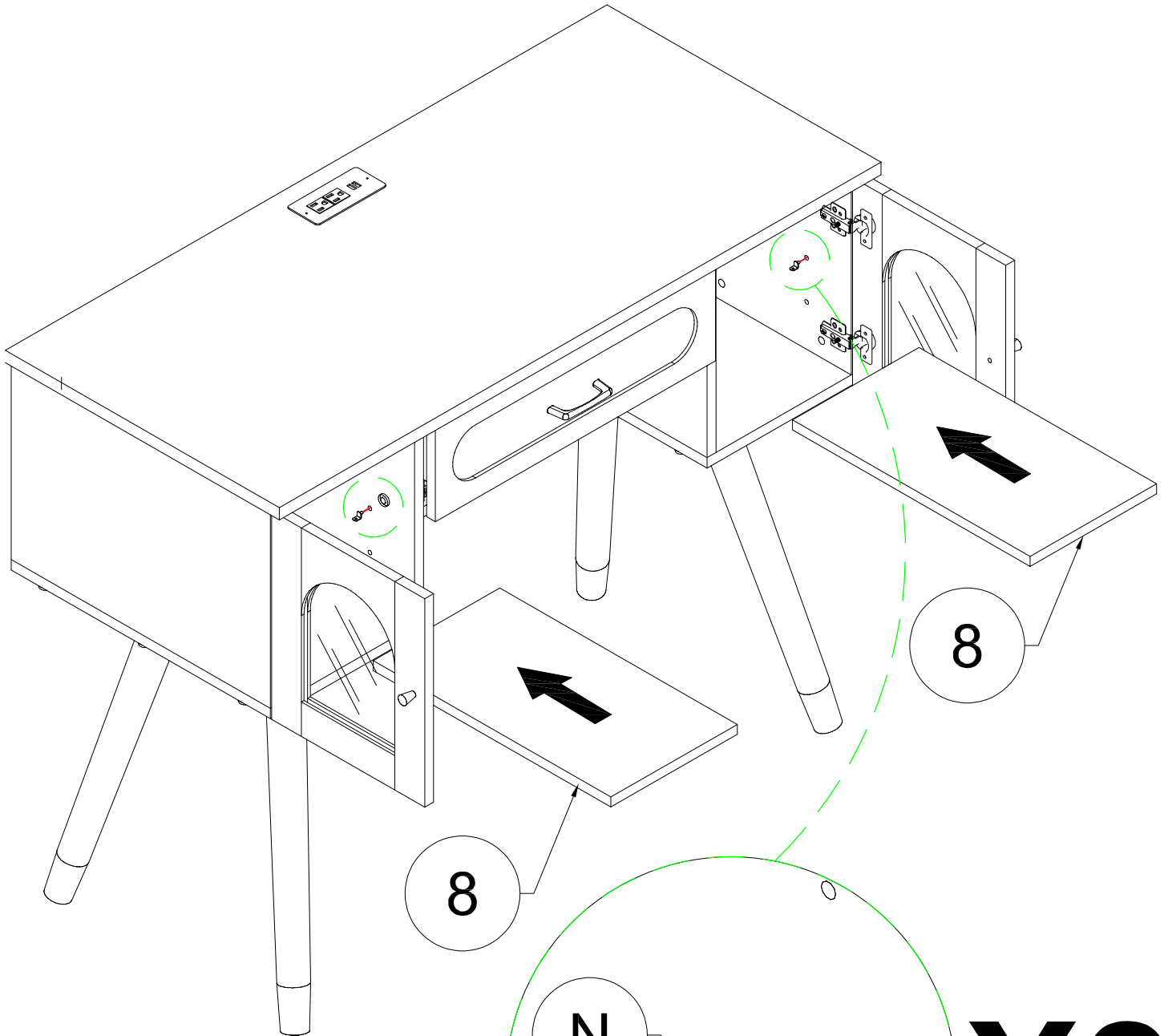


Step 16:

N

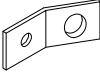
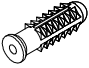



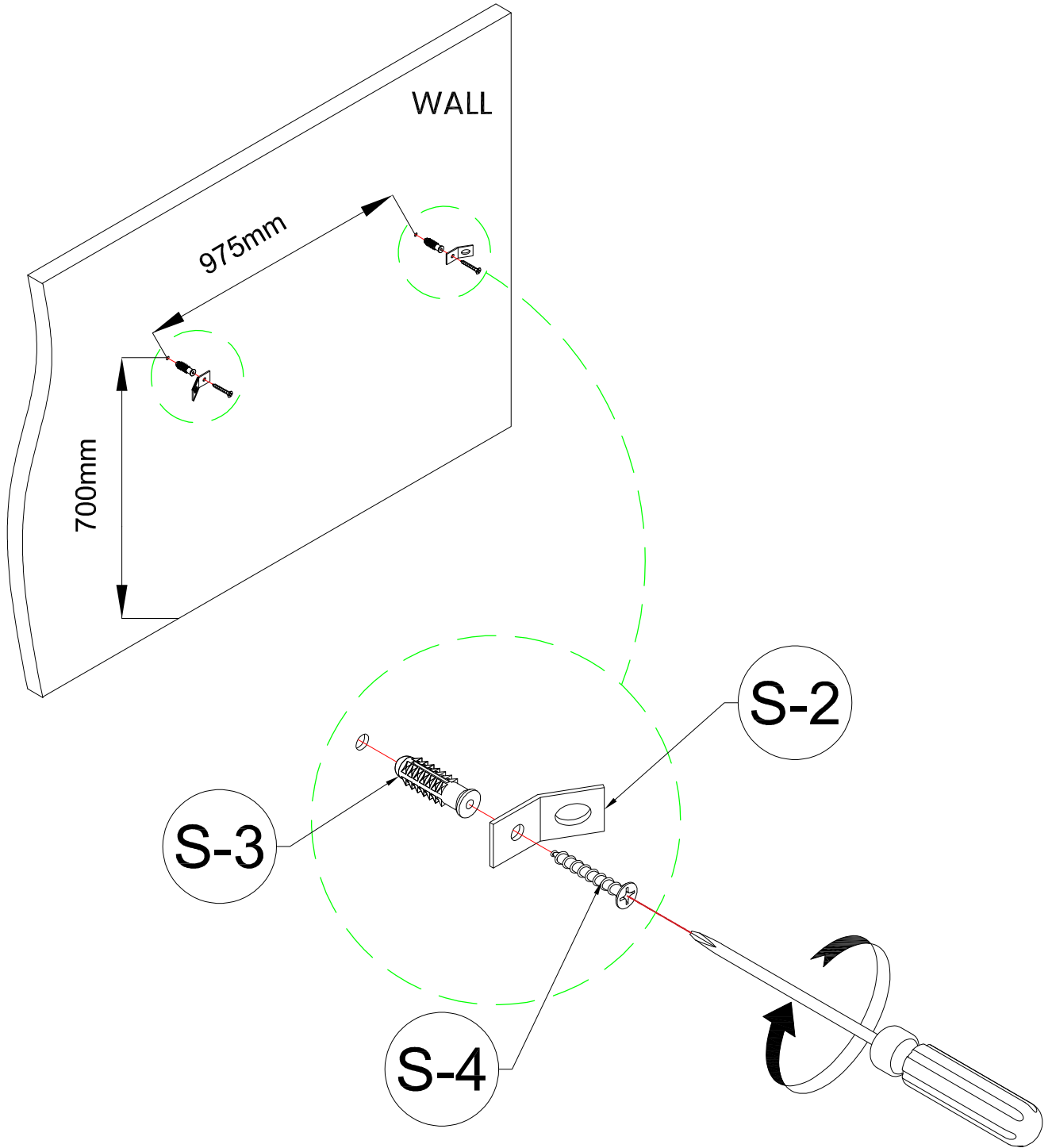
8pcs



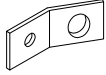

X8

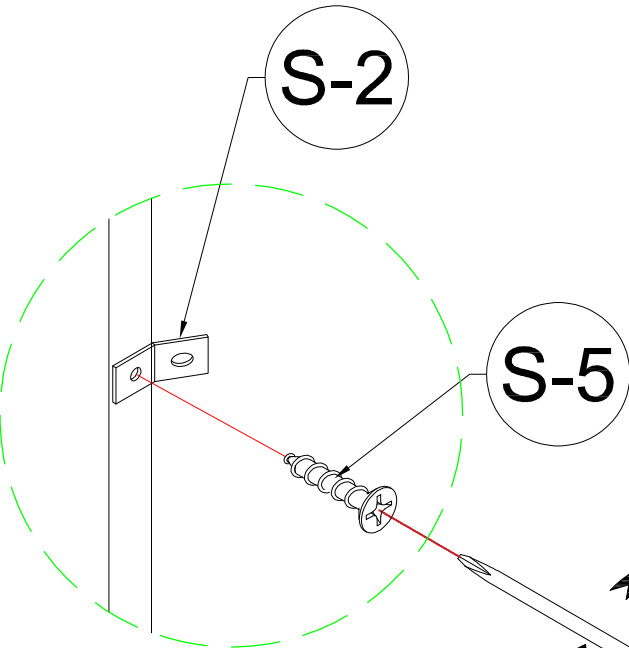
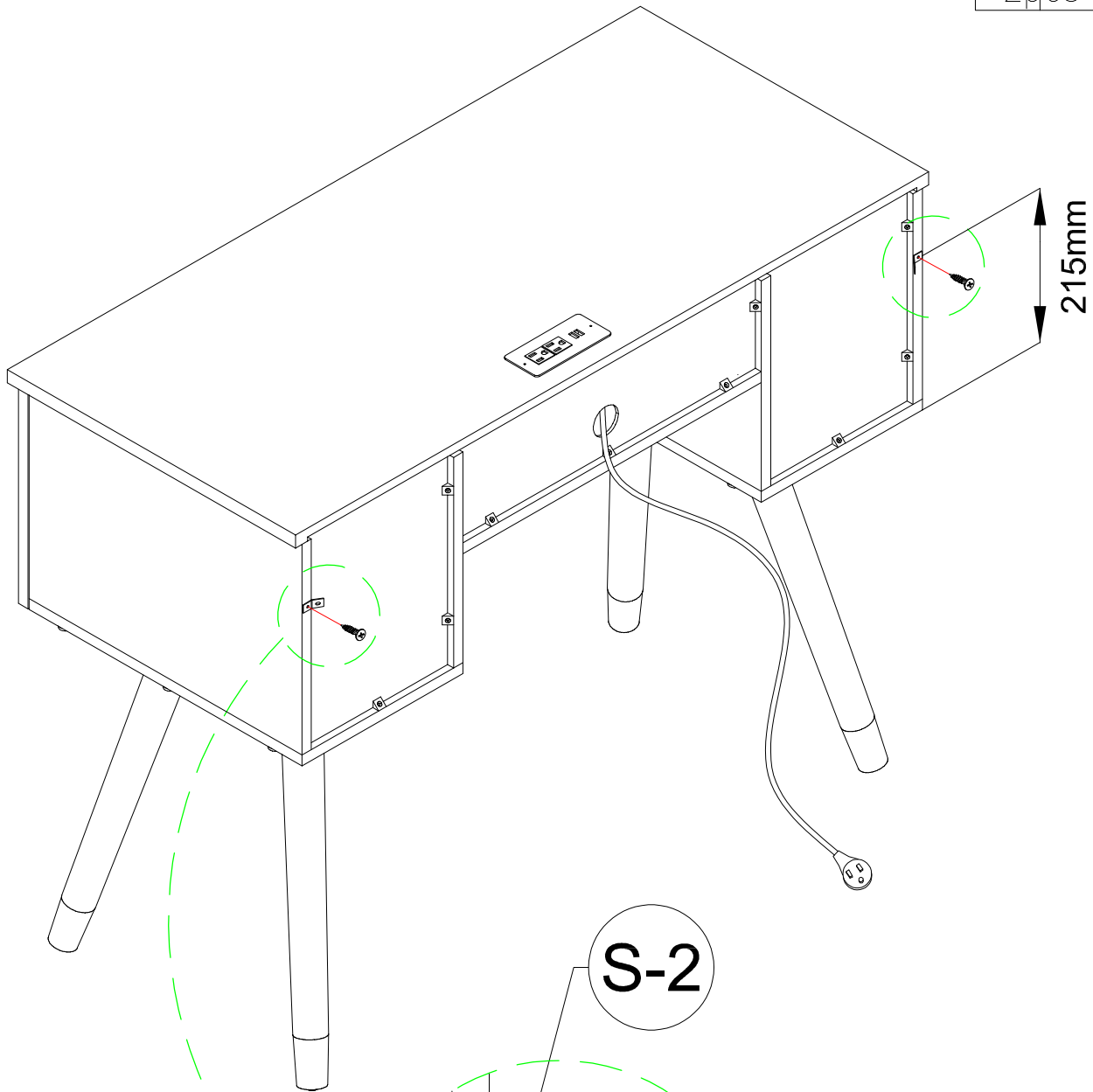
Step 17:

S-2	S-3	S-4
		
2pcs	2pcs	2pcs



Step 18:

S-2	S-5
	
2pcs	2pcs

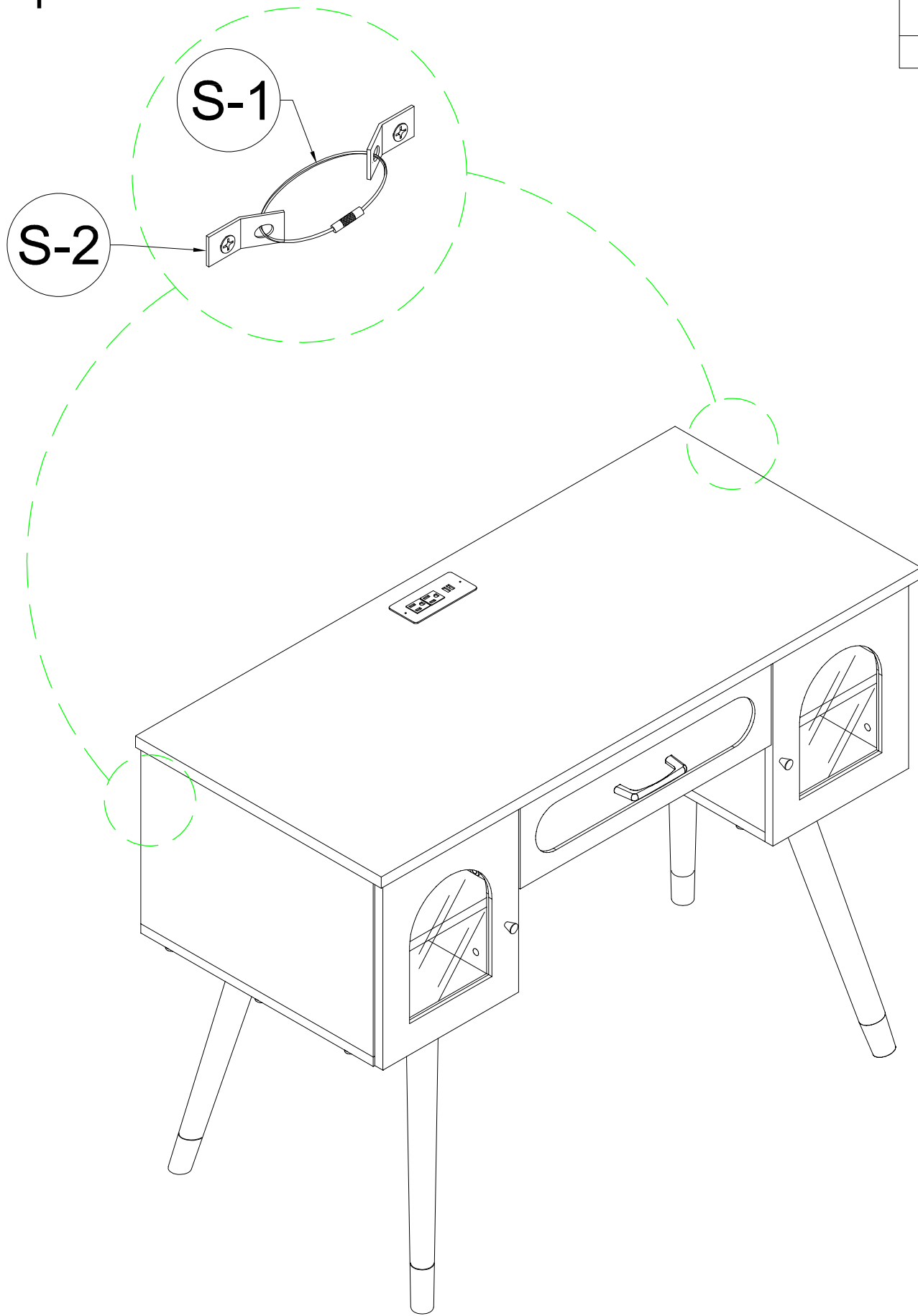


Step 19:

S-1



2pcs

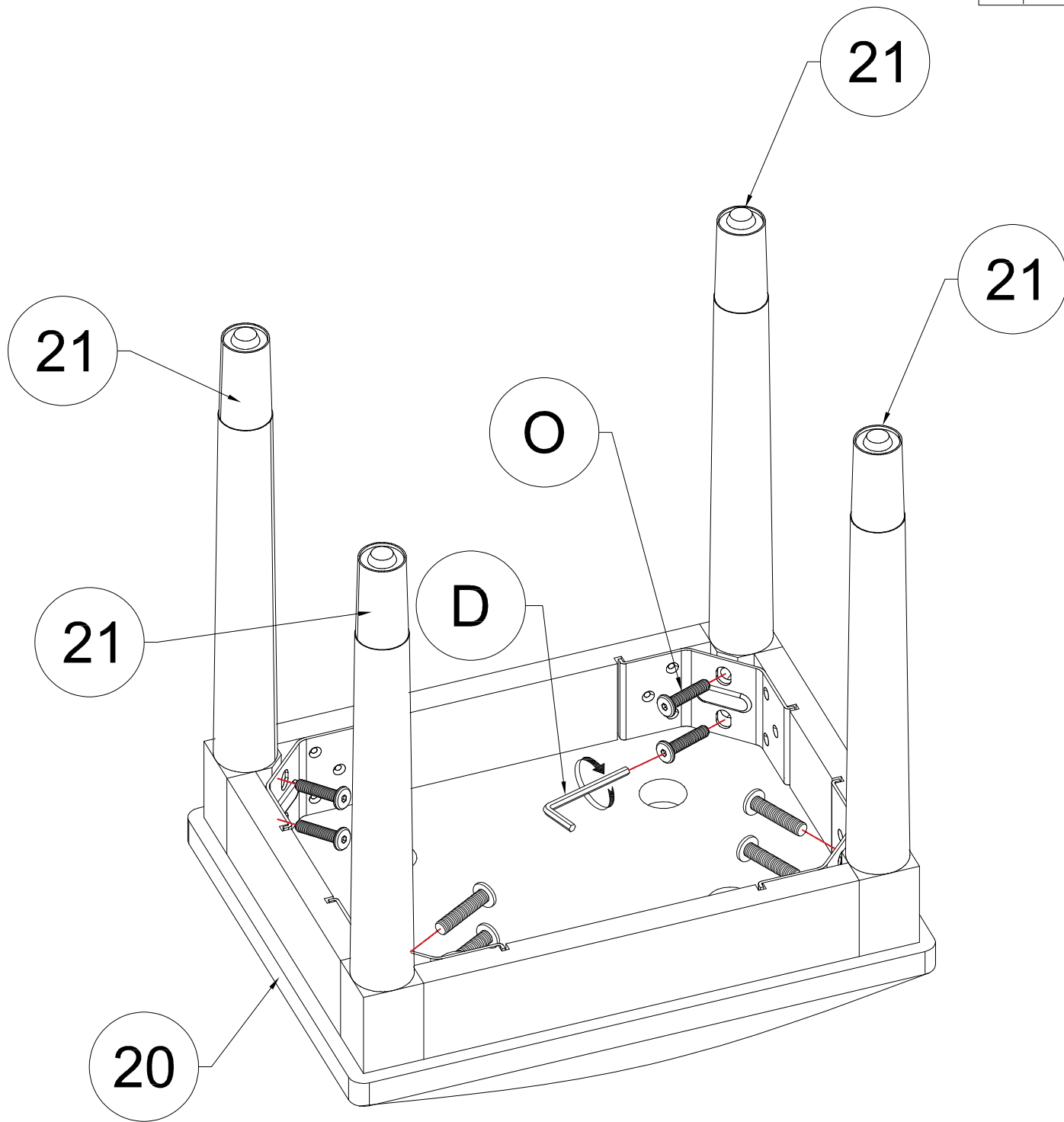


Step 20:

O



8pcs



FINISH

