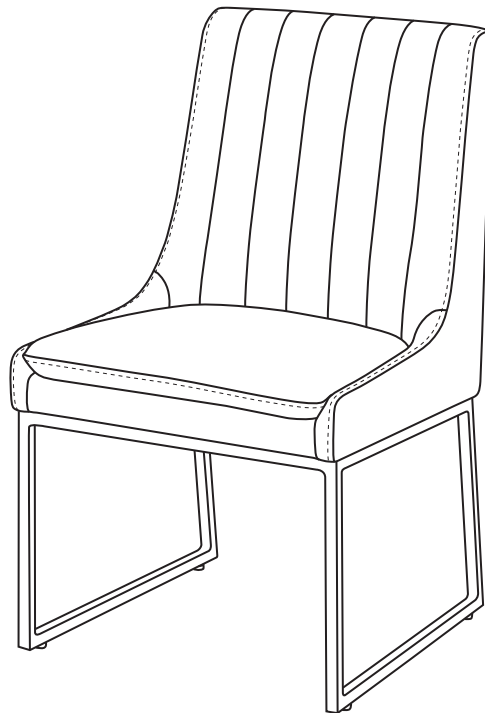


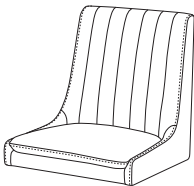
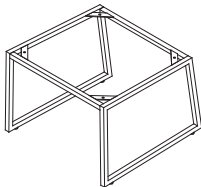
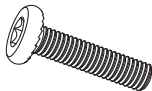
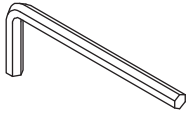
# KF.Y2168 Assembly Manual

## Dining Chair



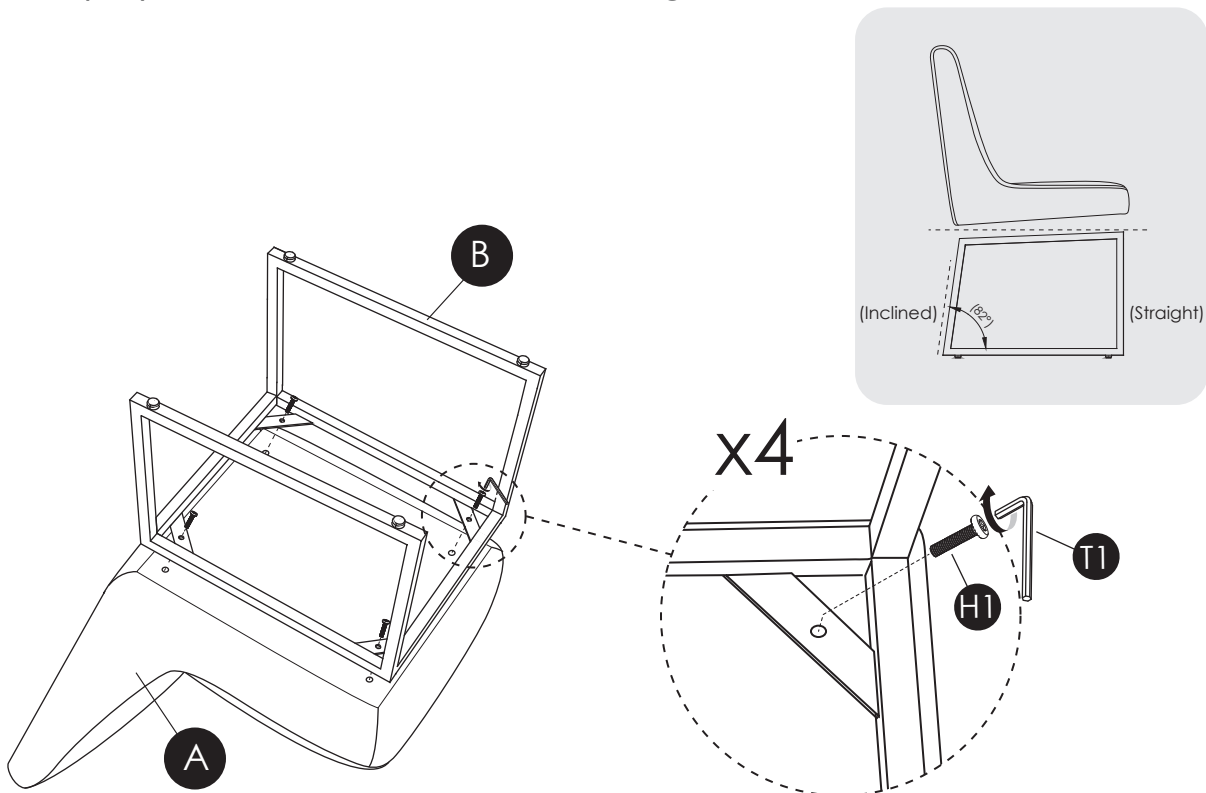
### CAUTION

THIS ASSEMBLY MANUAL CONTAINS IMPORTANT SAFETY INFORMATION.  
PLEASE READ AND KEEP FOR FUTURE REFERENCE.

|   |   |   |  |
|---|---|---|--|
| <p><b>Ax1</b></p>  | <p><b>Bx1</b></p>  | <p><b>H1x4</b></p>  | <p><b>T1x1</b></p>  |
|---|---|---|--|

### ASSEMBLY INSTRUCTIONS

- 1 Flip over the chair seat bucket.
- 2 Place the metal base on the chair seat bucket bottom and insert Bolts (H1) into each corner and fully tighten.



- 3 Assembly complete. Enjoy.

**Note:** Adjust the balance of the stool with foot levelers if needed.

