

# ASSEMBLY INSTRUCTIONS

## ITEM NO: FX-3812-6

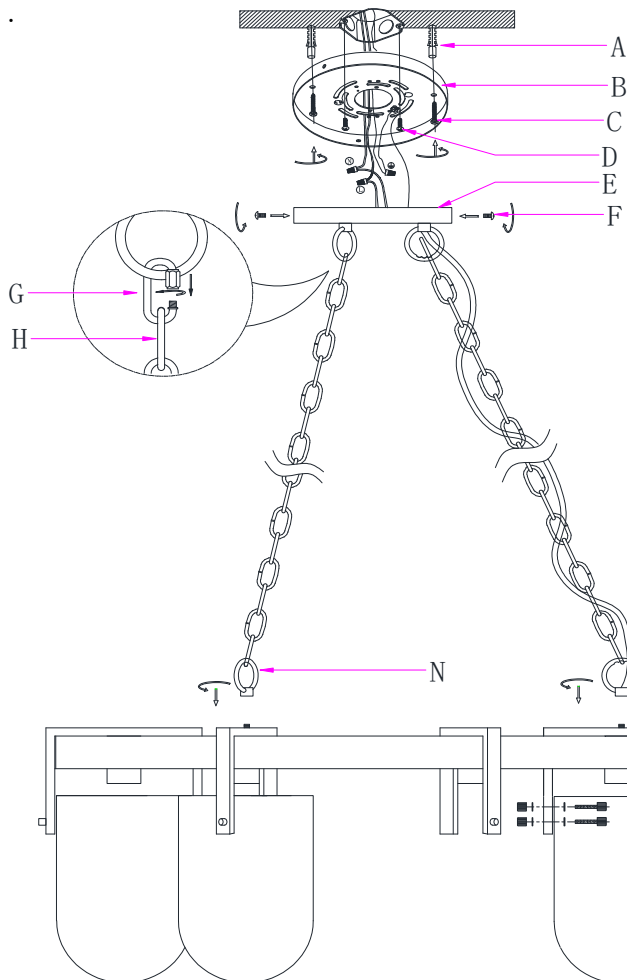
CAREFULLY PLACE ALL PARTS ON A SMOOTH SURFACE AND LAY THEM UP PER SKETCH BELOW.

\* THESE INSTRUCTIONS ARE PROVIDED FOR YOUR SAFETY PURPOSE AND IT IS VERY IMPORTANT THAT THEY ARE READ COMPLETELY BEFORE BEGINNING THE INSTALLATION OF YOUR FIXTURE.

\* DIRECT WIRE FIXTURES: STRONGLY RECOMMEND INSTALLATION BY A LICENSED ELECTRICIAN.

SHUT OFF THE MAIN ELECTRICAL SUPPLY AT FUSE BOX/CIRCUIT BREAKER.

1. SCREW LOOP(N) TO LIGHTING BODY(I), JOIN CANOPY (E ) AND BODY (I) WITH LINK UNIT (G).
2. DRILL 2 HOLES ON THE CEILING WITH THE SPACE MATCHING MOUTING BAR(B), AND INSERT PLASTIC ANCHORS (A).
3. INSTALL MOUNTING PLATE (B) TO JUNCTION BOX WITH MOUNTING SCREWS(C).
4. PUT WIRE THROUGH CANOPY (E) AND MOUNTING PLATE (B) AND MAKE WIRE CONNECTIONS: CONNECT THE GREEN GROUND WIRE "T", CATHODE WIRE "N" IN WHITE , ANODE WIRE "L" IN BLACK TO THE SUPPLY WIRES IN THE JUNCTION BOX AS ILLUSTRATED WITH WIRE NUTS.
5. ALIGN THE CANOPY (F) TO THE MOUNTING PLATE(B) AND TIGHTEN WITH SIDE SCREWS (F)

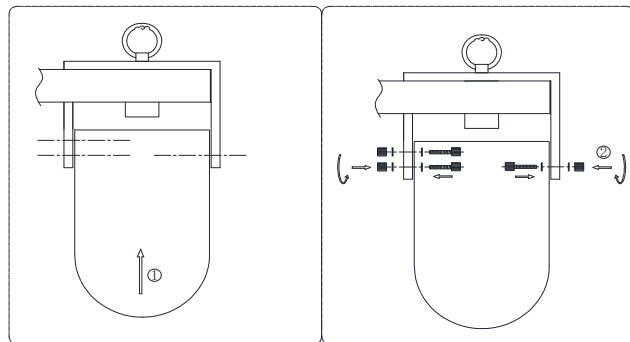


6. INSTALL RECOMMENDED BULBS (NOT INCLUDED IN THIS PACKAGE).

7. ALIGN GLASS SHADE (M) TO FIXTURE (I), TIGHTEN WITH SCREW (L), WASHER (K) AND NUT (J).

**GLASS IS FRAGILE, TAKE WITH CARE!!**

TURN OF POWER AND ENJOY!



**Use Max 60W X 6 Type A bulbs (Bulbs Not Included)**

### TO REPLACE THE BULB:

TURN OFF POWER (UNPLUG FROM THE WALL OUTLET) BEFORE REPLACING THE BULB(S), MAKING SURE THE BULB(S) HAVE SUFFICIENT TIME TO COOL DOWN.

### REVERSE STEP#7 TO UNINSTALL THE GLASS SHADE AND REPLACE THE BULB.

DO NOT SUBJECT THIS FIXTURE TO ANY SHOCK WHILE LIT AS SHATTERING OF BULBS MAY RESULT .

### CARE INSTRUCTIONS:

TO CLEAN, USE A SOFT CLOTH ONLY. DO NOT USE ANY CHEMICAL OR ABRASIVE CLEANERS.

**SAVE THESE INSTRUCTIONS FOR FUTURE REFERENCE.**