

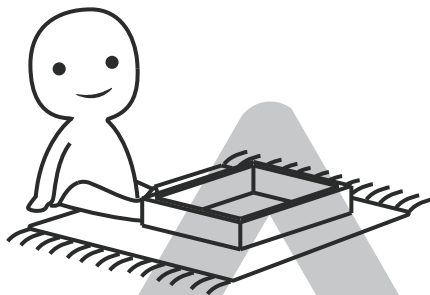
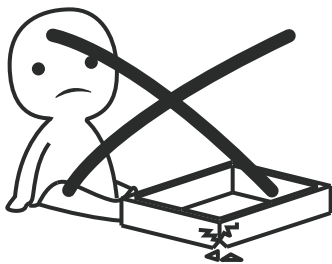
# **INSTALLATION**

*Product Manual*



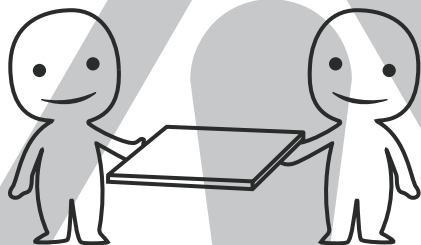
### **IMPORTANT INFORMATION!**

please read the entire manual before starting to assemble and/or using this product. follow the manual thoroughly and keep it for further reference.



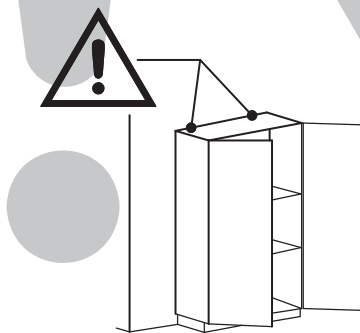
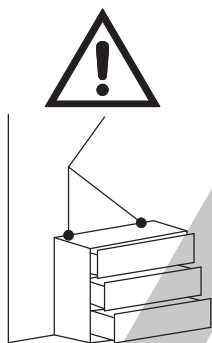
### **AVOID SCRATCHES!**

In order to avoid scratching this furniture should be assembled on a soft layer- could be a rug.



### **IMPROVE EFFICIENCY !**

Try to find a partner to install with you, which can speed up the installation efficiency and shorten the time.



### **ANTI-TOPPLE WARNING !**

Overturnd furniture can cause serious or fatal crush injuries. To prevent tipping over, be sure to use the wall attachment, if not included with this product. Please purchase the wall attachment that fit your wall. If unsure, seek professional advice. Please read and follow each step of the instructions carefully.

### **IMPORTANT !**

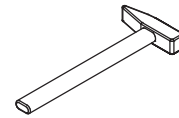
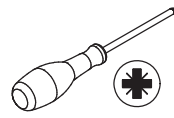
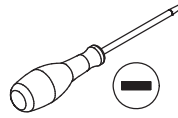
It is important that any product which is assembled using any kind of screw is re-tightened 2 weeks after assembly, and once every 3 months - in order to assure stability through-out the lifespan of the product.

For regular maintenance and cleaning of the product, for the frame, please use a rag dipped in neutral detergent to fully wipe it, and then dry it with a clean rag. For glass materials, wipe with a rag dampened with water glass cleaner, and then dry with a dry rag.

Do not use an electric screwdriver, and do not use too much force when installing, because the board is easy to break.

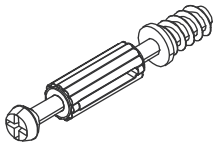


Please prepare the following tools



When installing, please carefully confirm whether each screw corresponds to the manual, accessories with similar shapes can be distinguished by size

A x 40



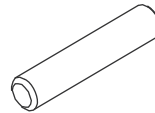
M5 x 42 mm

B x 40



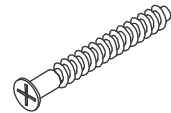
Ø 15 x 10 mm

C x 20



Ø 8 x 40 mm

D x 26



M5 x 40 mm

E x 180



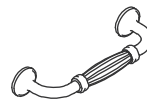
M3.5 x 14 mm

F x 20

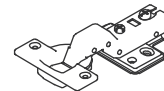


M4 x 20 mm

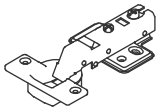
G x 10



H x 4 SETS



I x 4 SETS

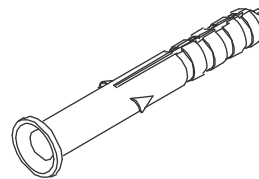


J x 40



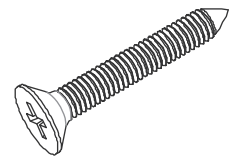
Ø 1.5 x 15 mm

K x 7



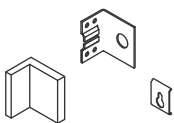
Ø 8 x 60 mm

L x 7

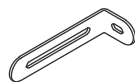


M5 x 55 mm

M x 5 SETS



N x 2



O x 16

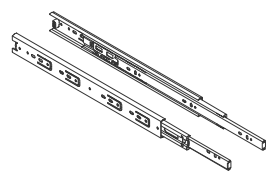


P x 12

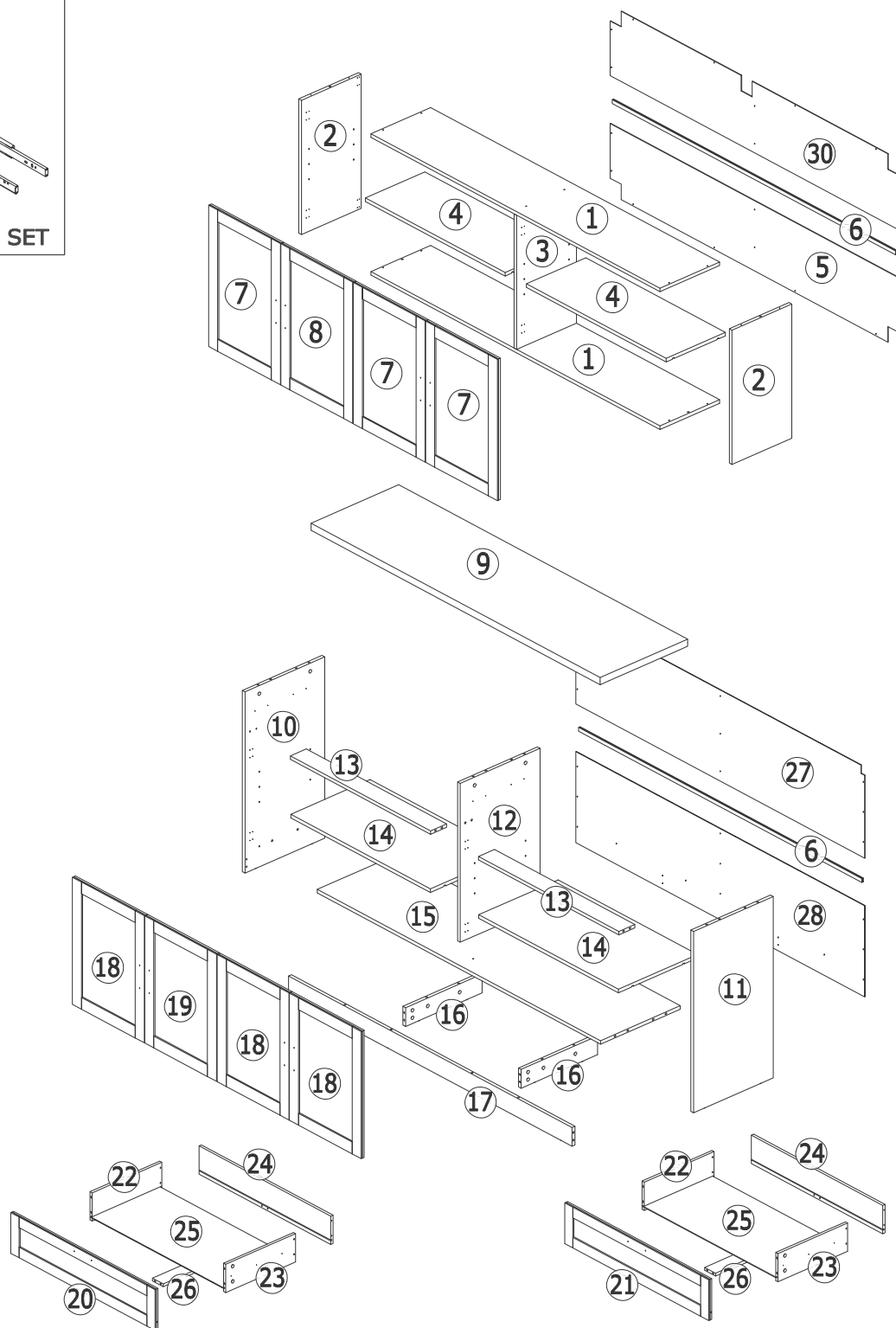


M3.5 x 12 mm

29



14"(3508W) 2 SET

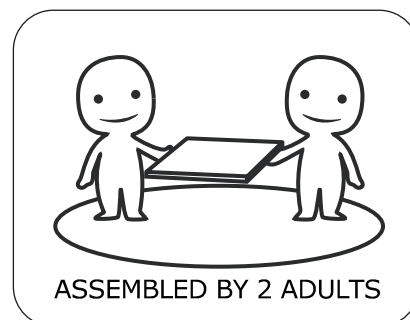


**⚠ WARNING**

**Children have died from furniture tipover. To reduce the risk of furniture tipover:**

- ALWAYS install tipover restraint provided.
- NEVER put a TV on this product.
- NEVER allow children to stand, climb or hang on drawers, doors, or shelves.
- NEVER open more than one drawer at a time.
- Place heaviest items in the lowest drawers.

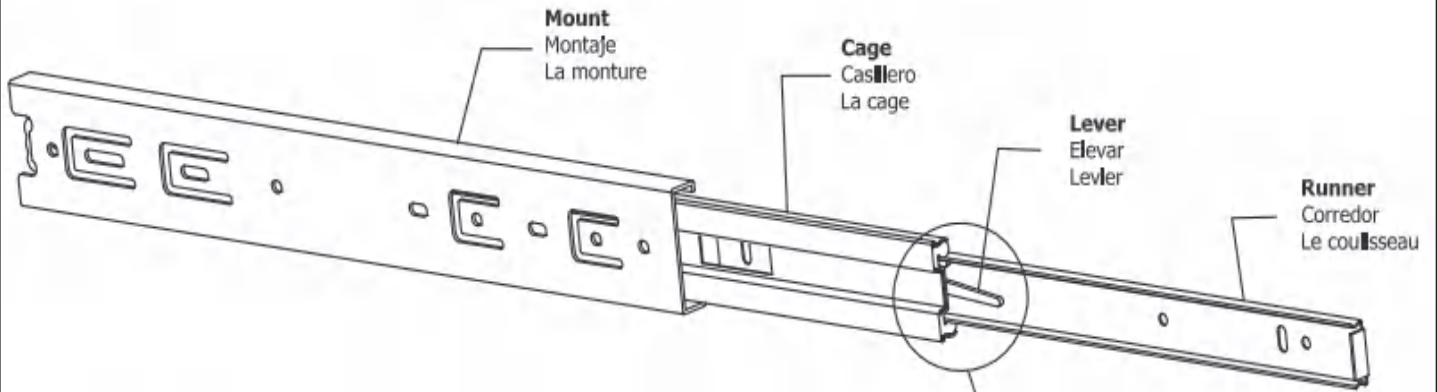
*This is a permanent label. Do not remove!*



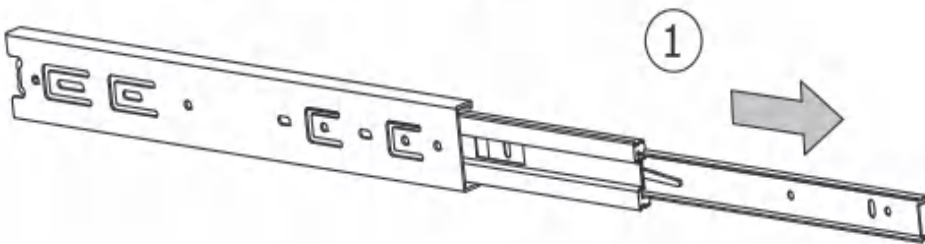
**Slides Must Be Separated Before Assembly.  
After Separated, Set Aside Until Needed for Assembly.**

Las diapositivas deben separarse antes del montaje.  
Después de la separación, déjelo a un lado hasta que sea necesario.

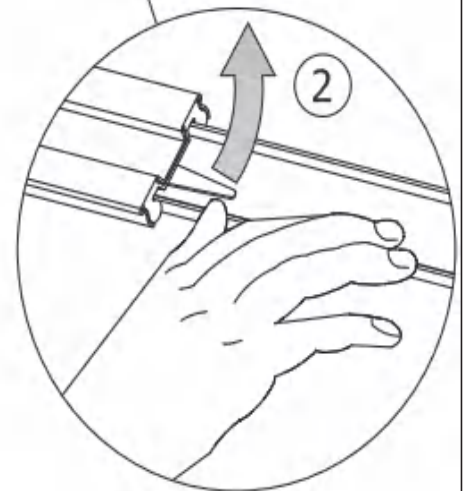
Les glissières doivent être séparées avant l'assemblage.  
Après la séparation, mettez de côté jusqu'au moment de l'assemblage.



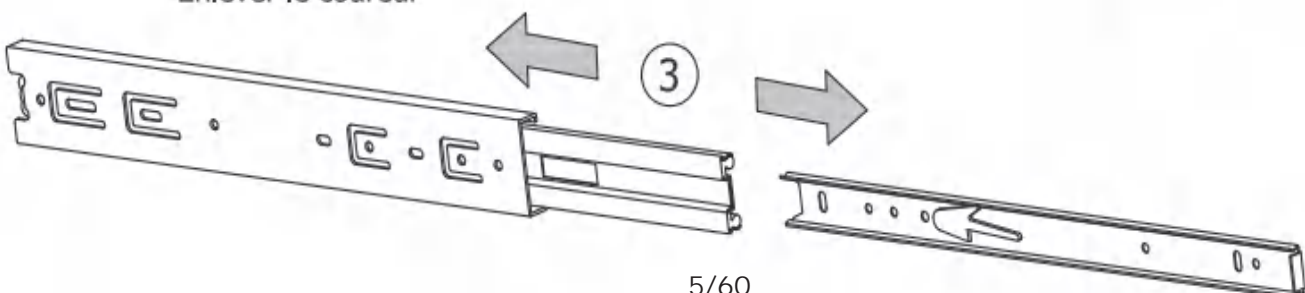
**STEP 1: Extend Slide**  
Extender la diapositiva  
Extendre la diapositive



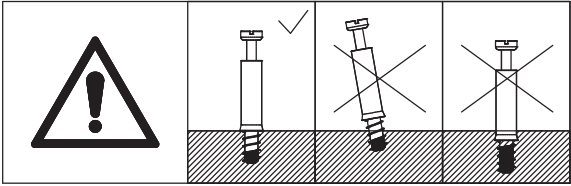
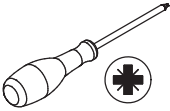
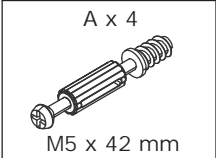
**STEP 2: Push Lever UP**  
Empujar hacia arriba  
Lever le levier



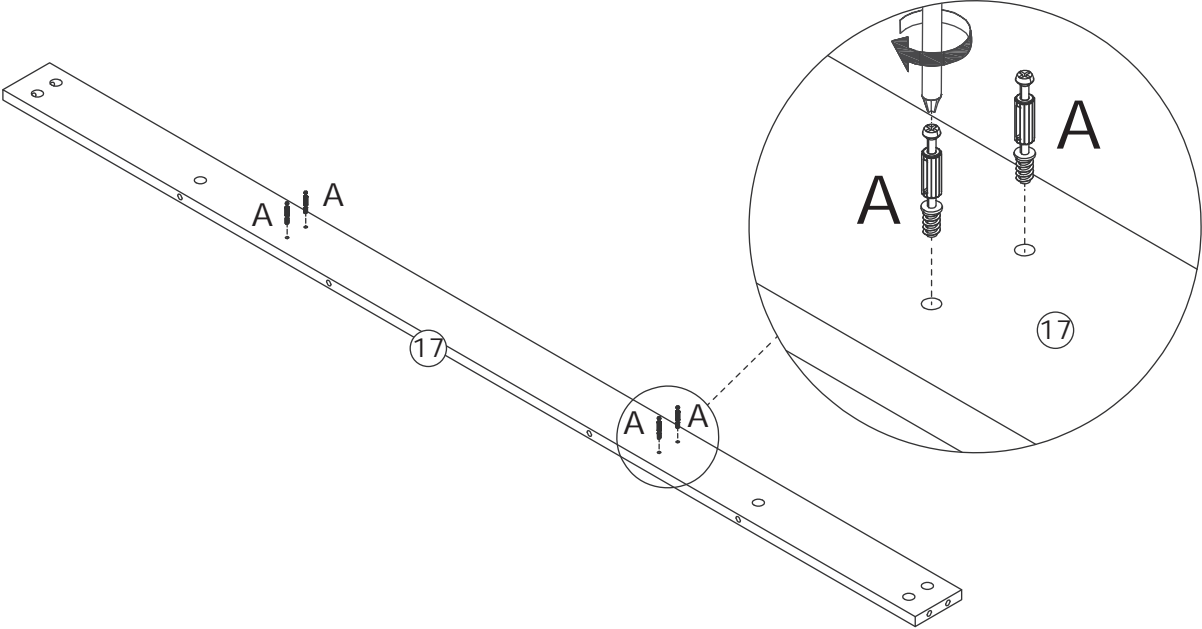
**STEP 3: Remove Runner**  
Quitar el corredor  
Enlever le coureur




1

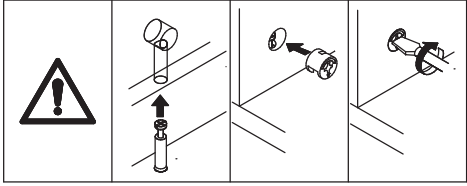
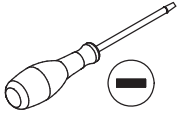


Insert quickfit screw(A) into corresponding holes in No.17 plate with a screwdriver as shown.

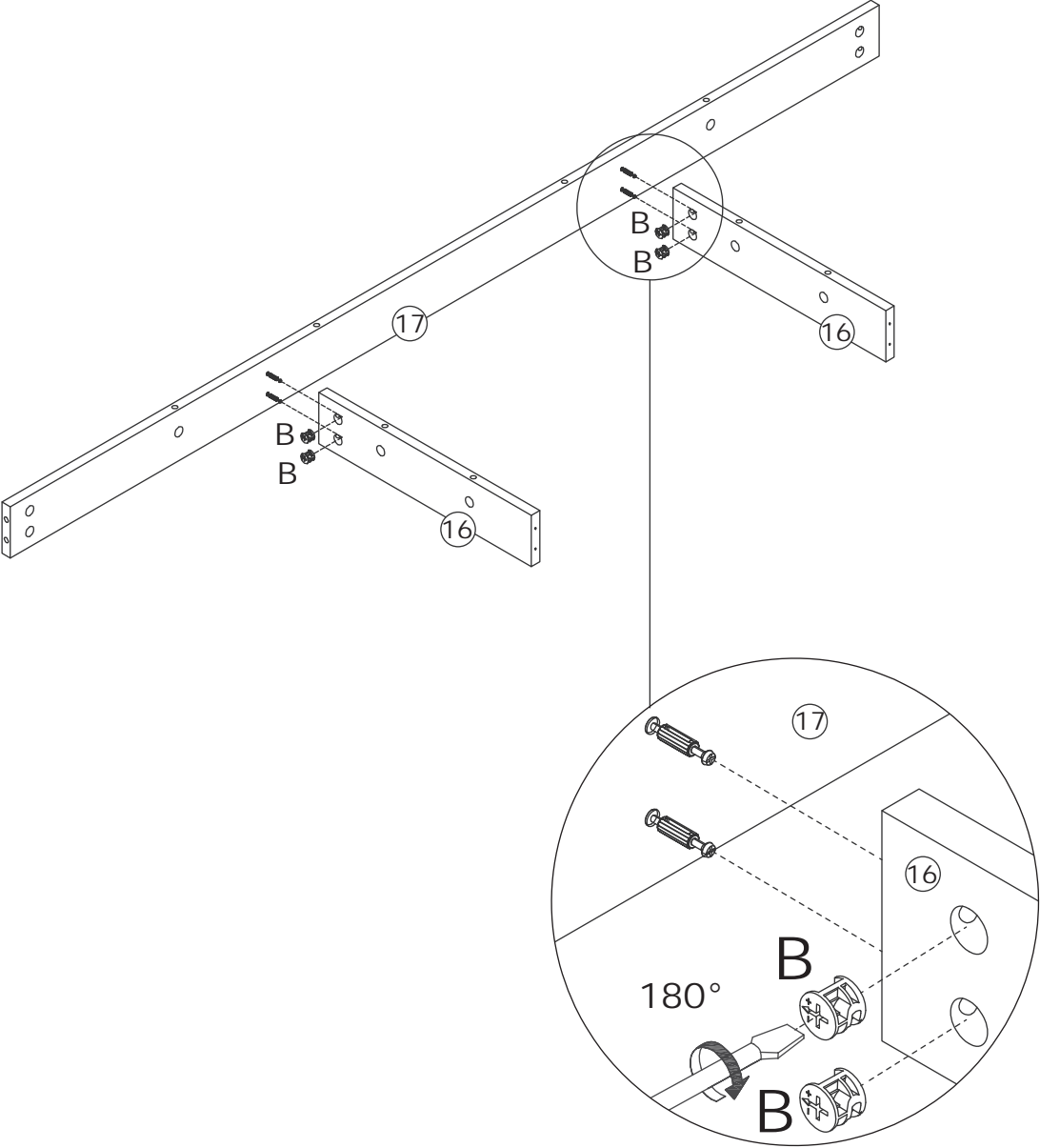


2

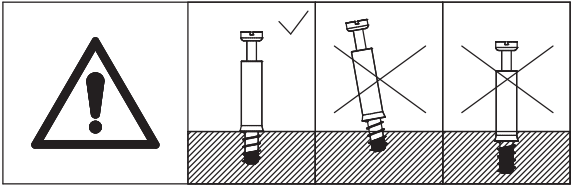
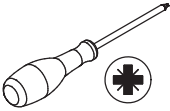
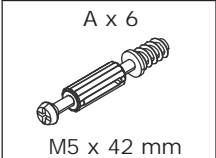
B x 4  
  
Ø15 x 10 mm



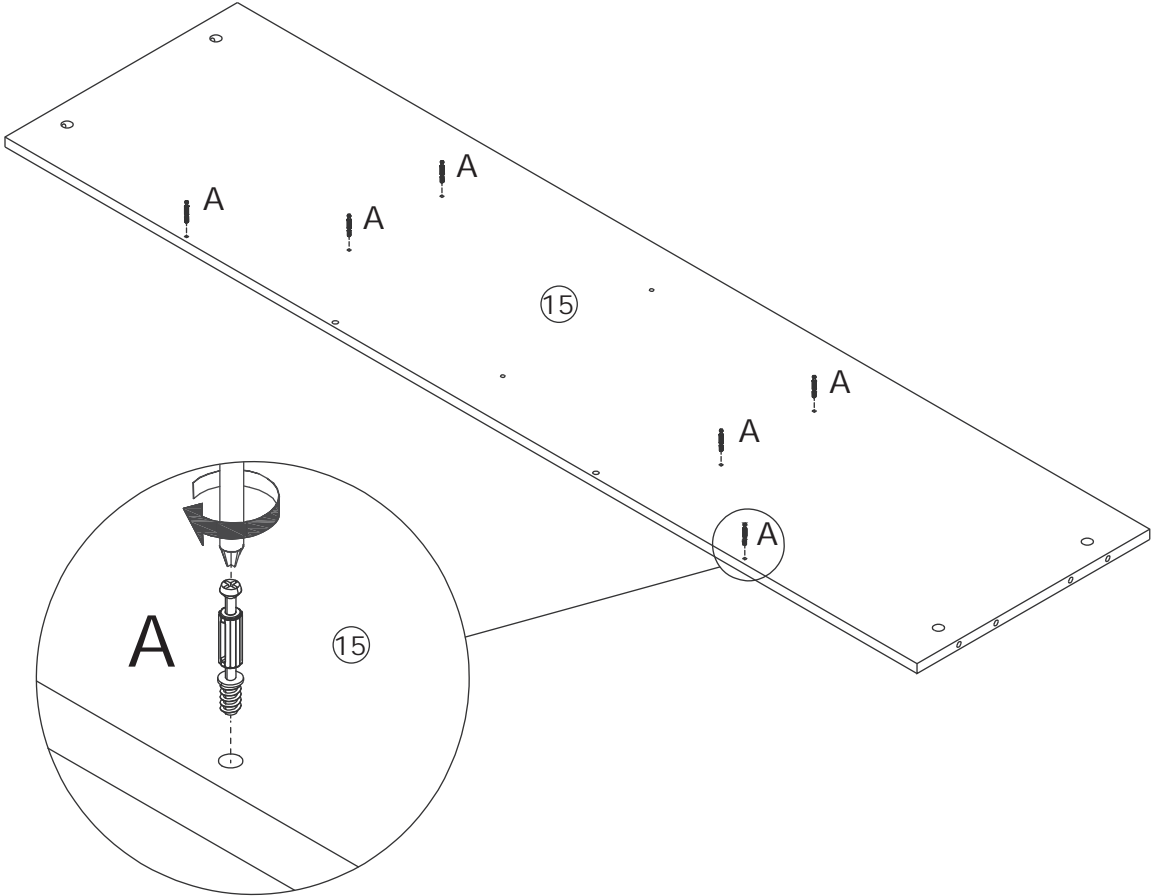
Attach No.16 plate to No.17 and turn cam locks(B) clockwise to tighten as shown.




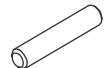
3

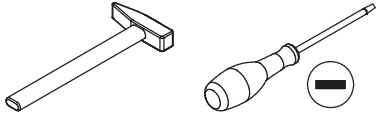


Insert quickfit screw(A) into corresponding holes in No.15 plate with a screwdriver as shown.

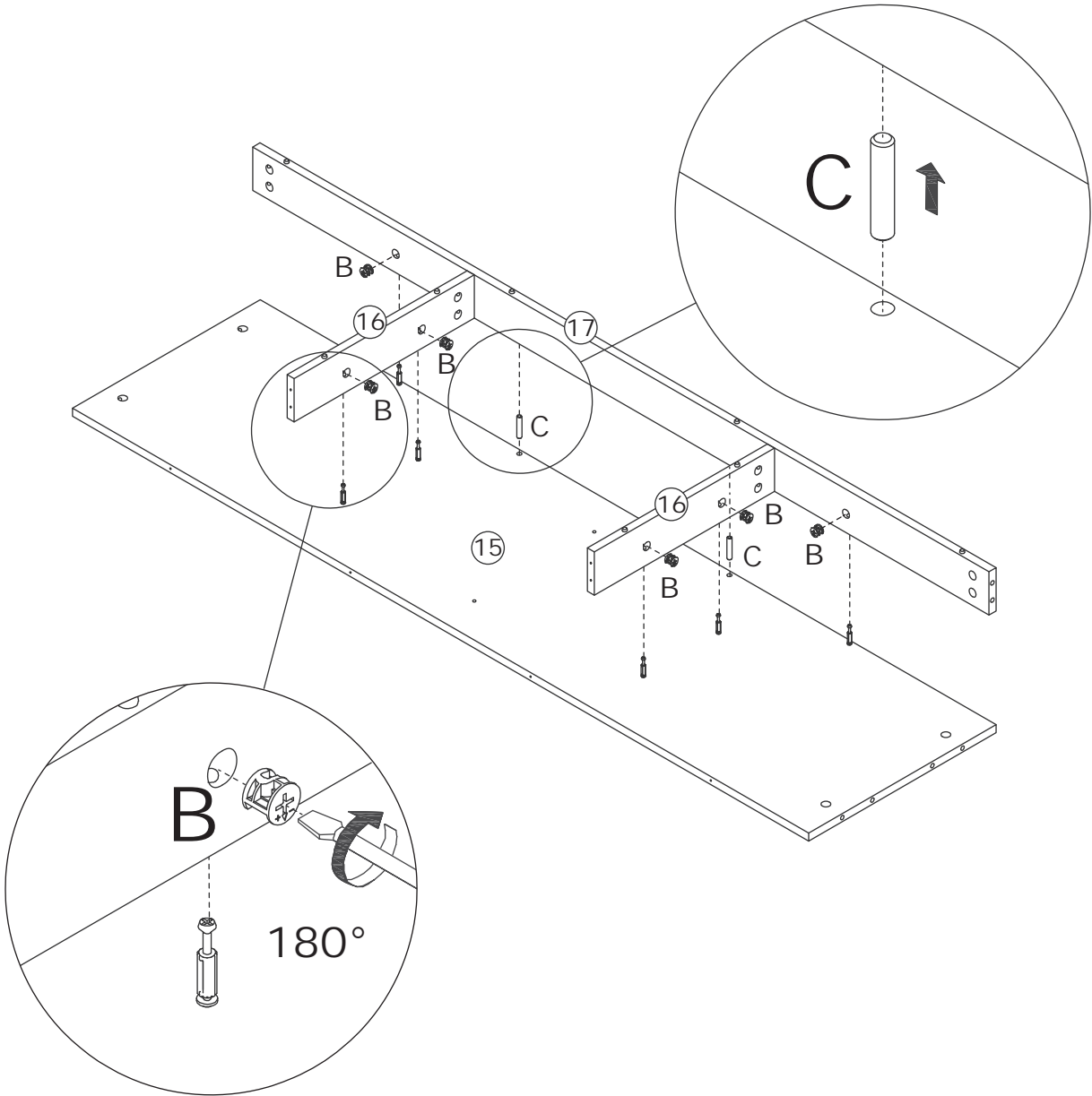
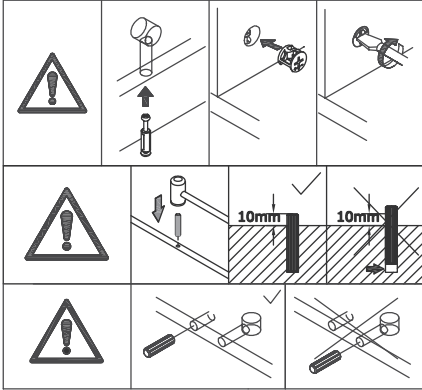


4

B x 6  Ø15 x 10 mm	C x 2  Ø8 x 40 mm
---	--

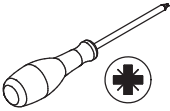


Knock only half of wooden dowel(C) into No.17 plate at first.  
Attach No.15 plate to No.16,17 plates and turn cam locks(B) clockwise to tighten as shown.



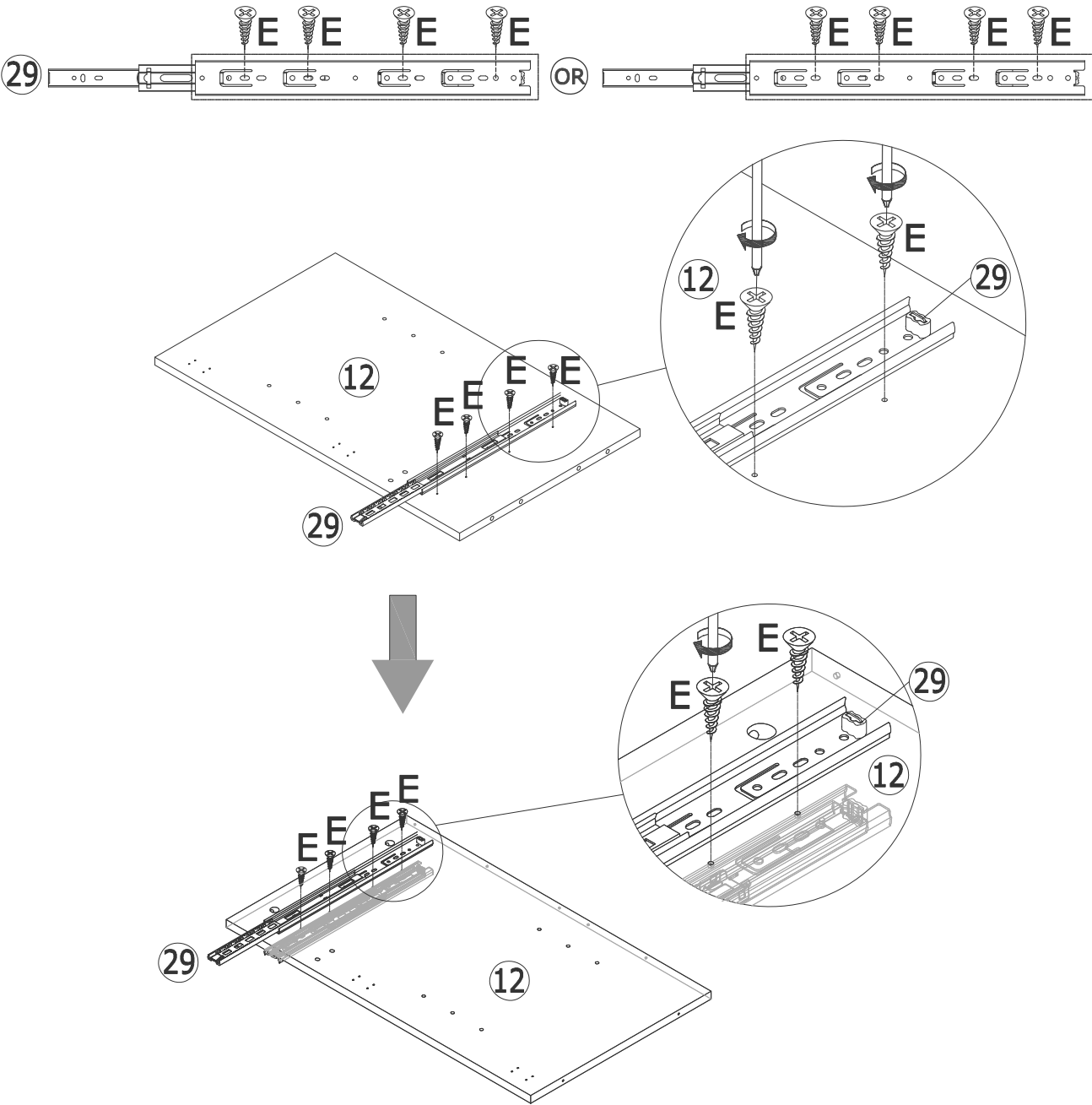
5

E x 8  
M3.5 x 14 mm

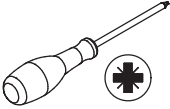


Separate the glide into two parts at first.  
Please pay attention to the holes where the accessories are inserted.  
Fix slide rail 29 to the front and back of No.12 plate with screw(E) as shown.

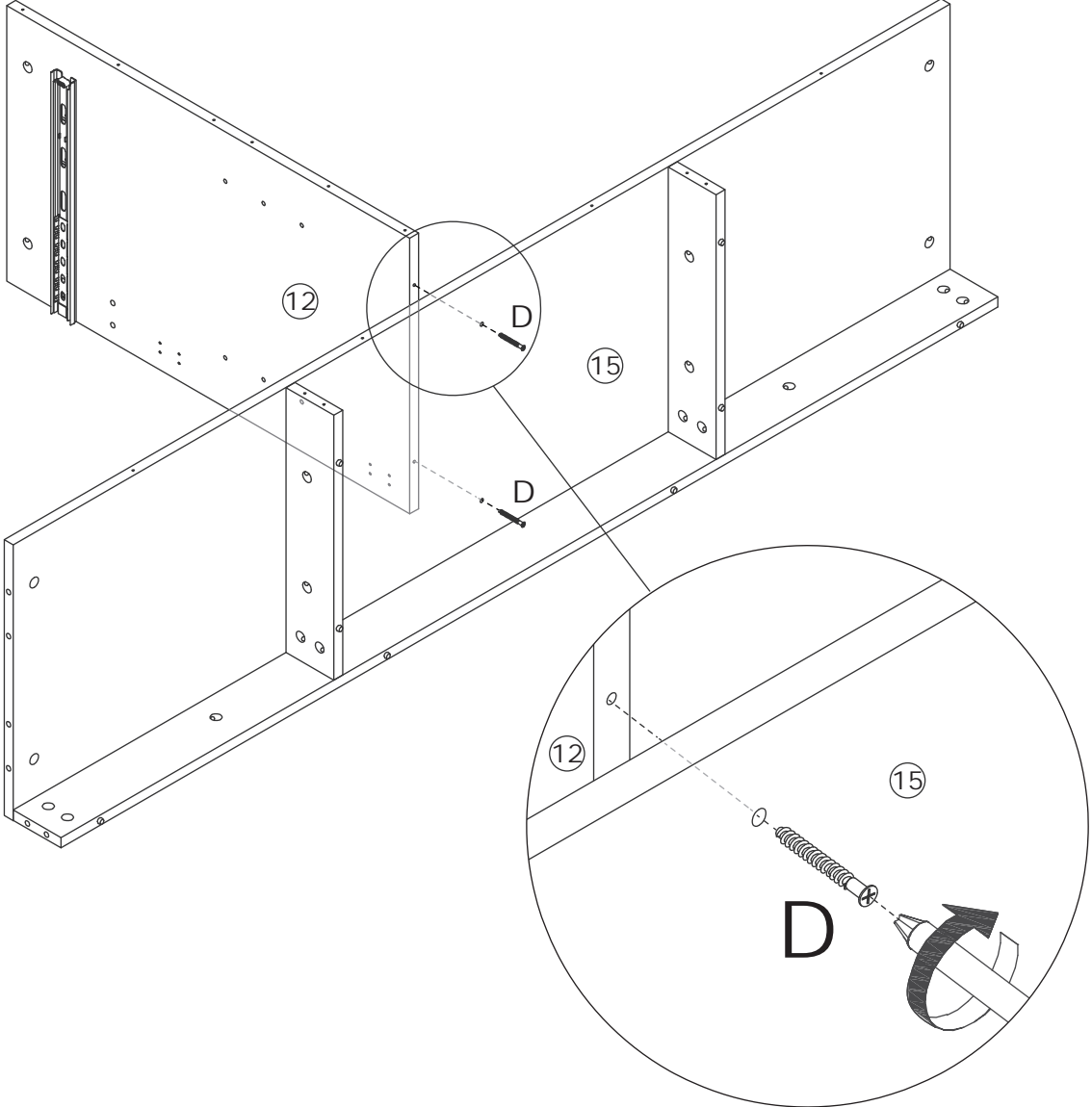
Back section of part 29



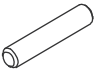
6

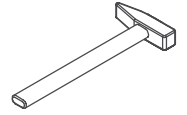


Attach No.12 plate to No.15 and fix with screw(D) as shown.

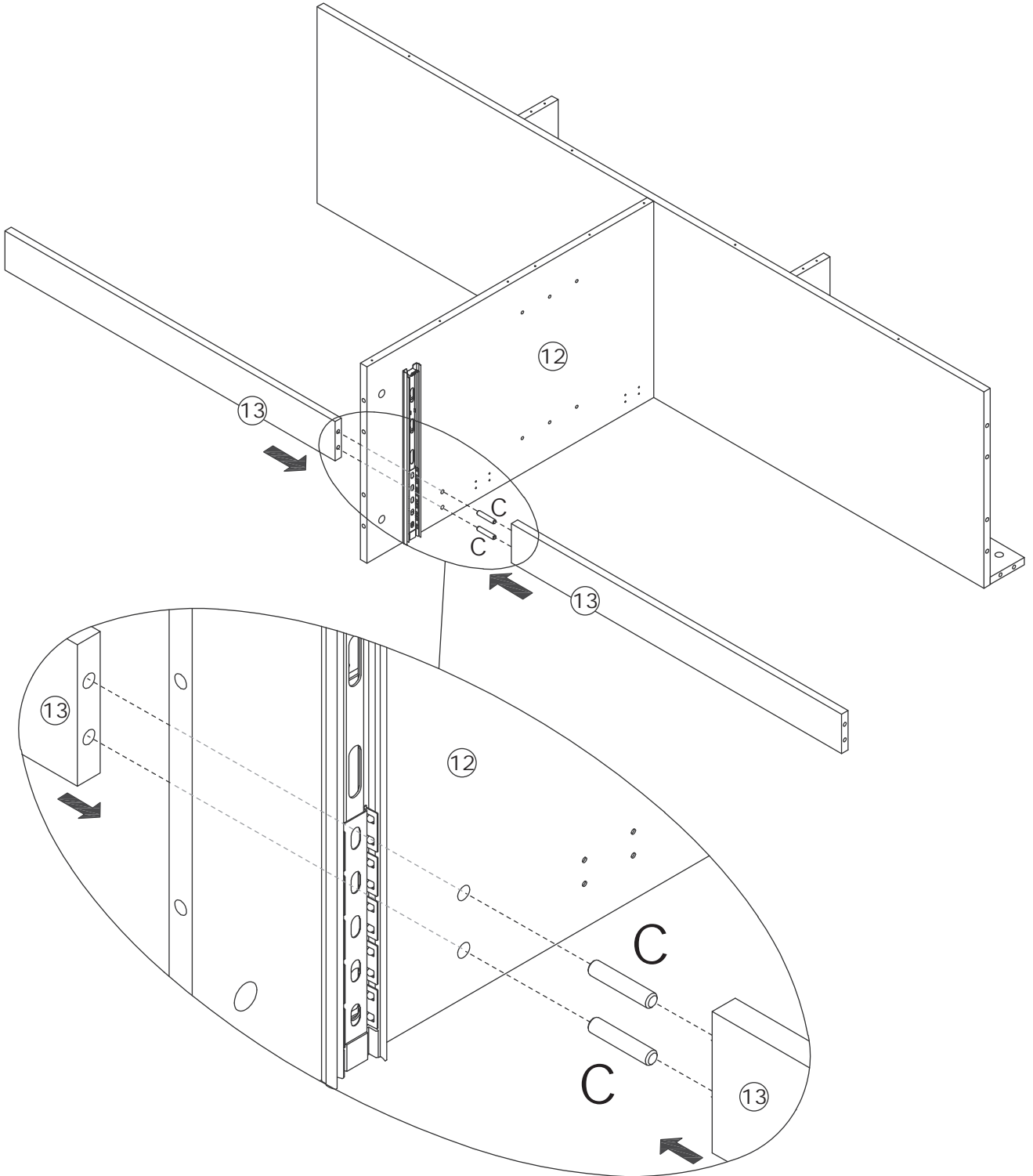
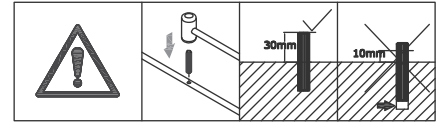


7

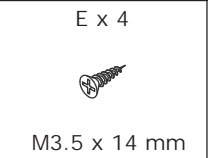
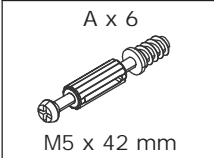
C x 2  
  
Ø8 x 40 mm



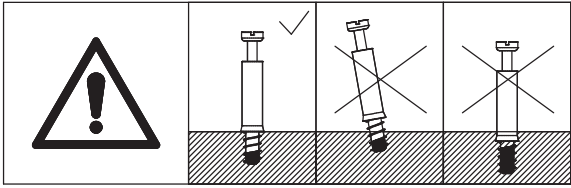
Connect No.13(x2) plate with No.12 using wooden dowel(C) as shown.



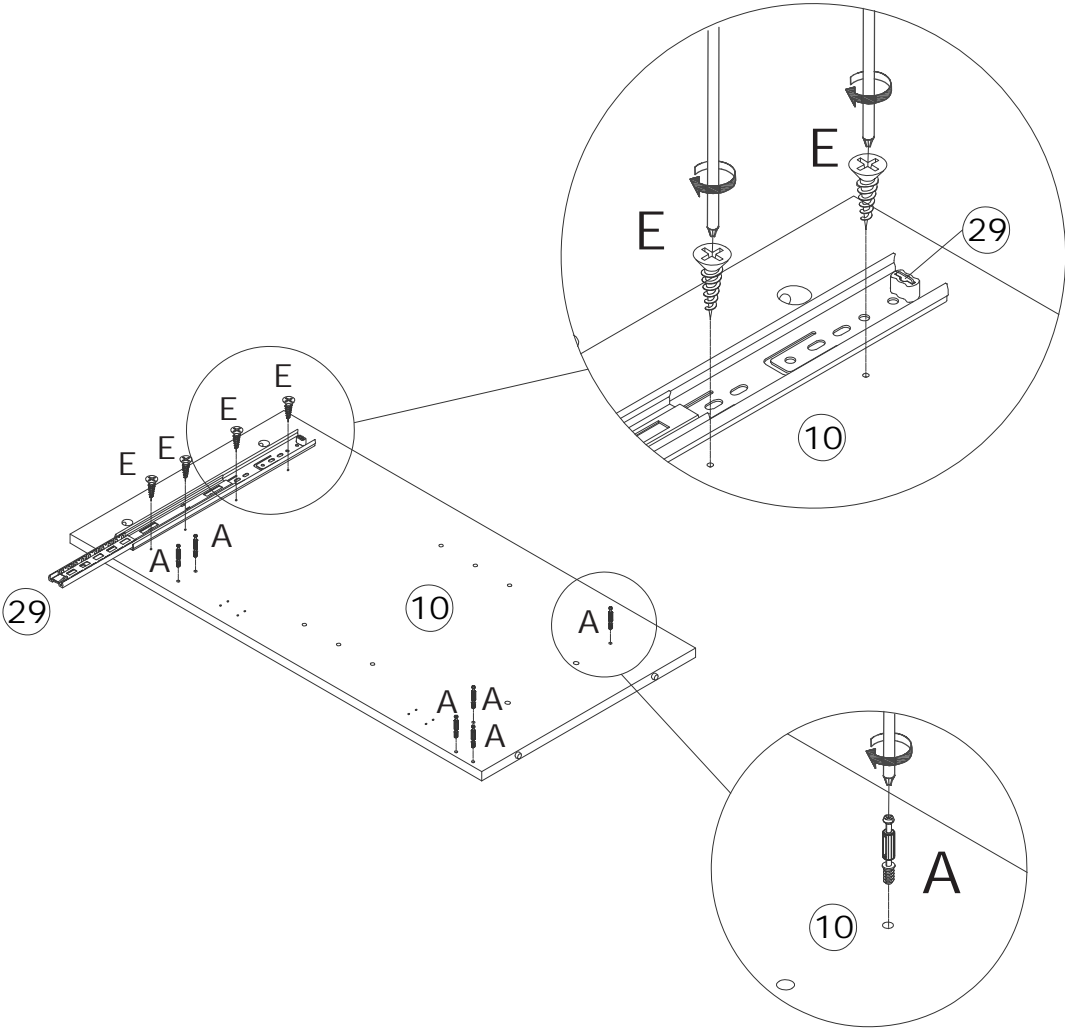
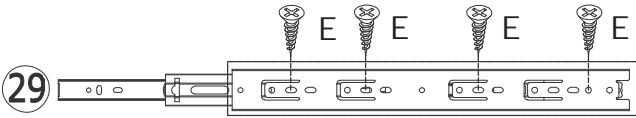
8



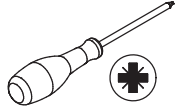
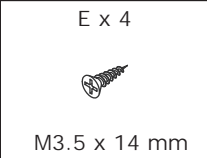
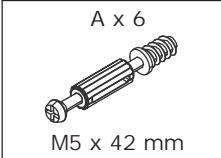
Please pay attention to the holes where the accessories are inserted.  
Fix slide rail 29 to No.10 plate with screw(E) as shown.  
Insert quickfit screw(A) into corresponding holes in No.10 plate with a screwdriver as shown.



Back section of part 29



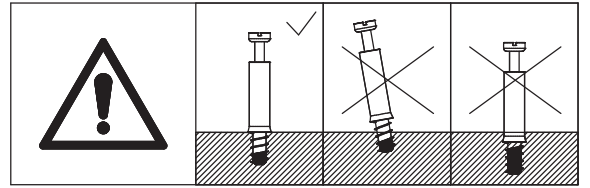
9



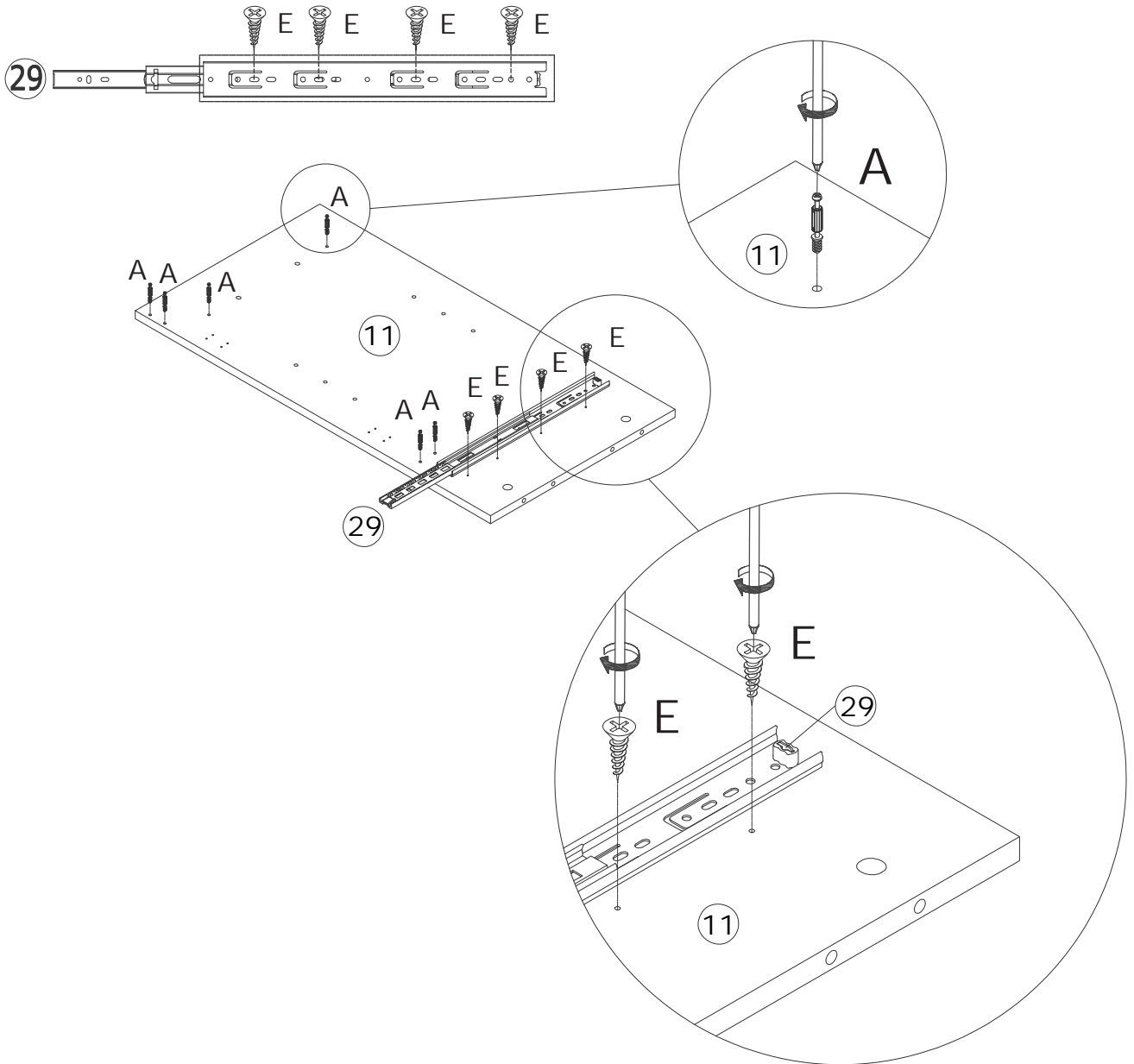
Please pay attention to the holes where the accessories are inserted.

Fix slide rail 29 to No.11 plate with screw(E) as shown.

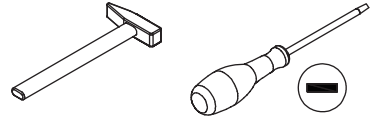
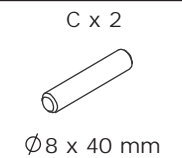
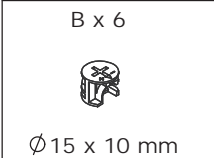
Insert quickfit screw(A) into corresponding holes in No.11 plate with a screwdriver as shown.



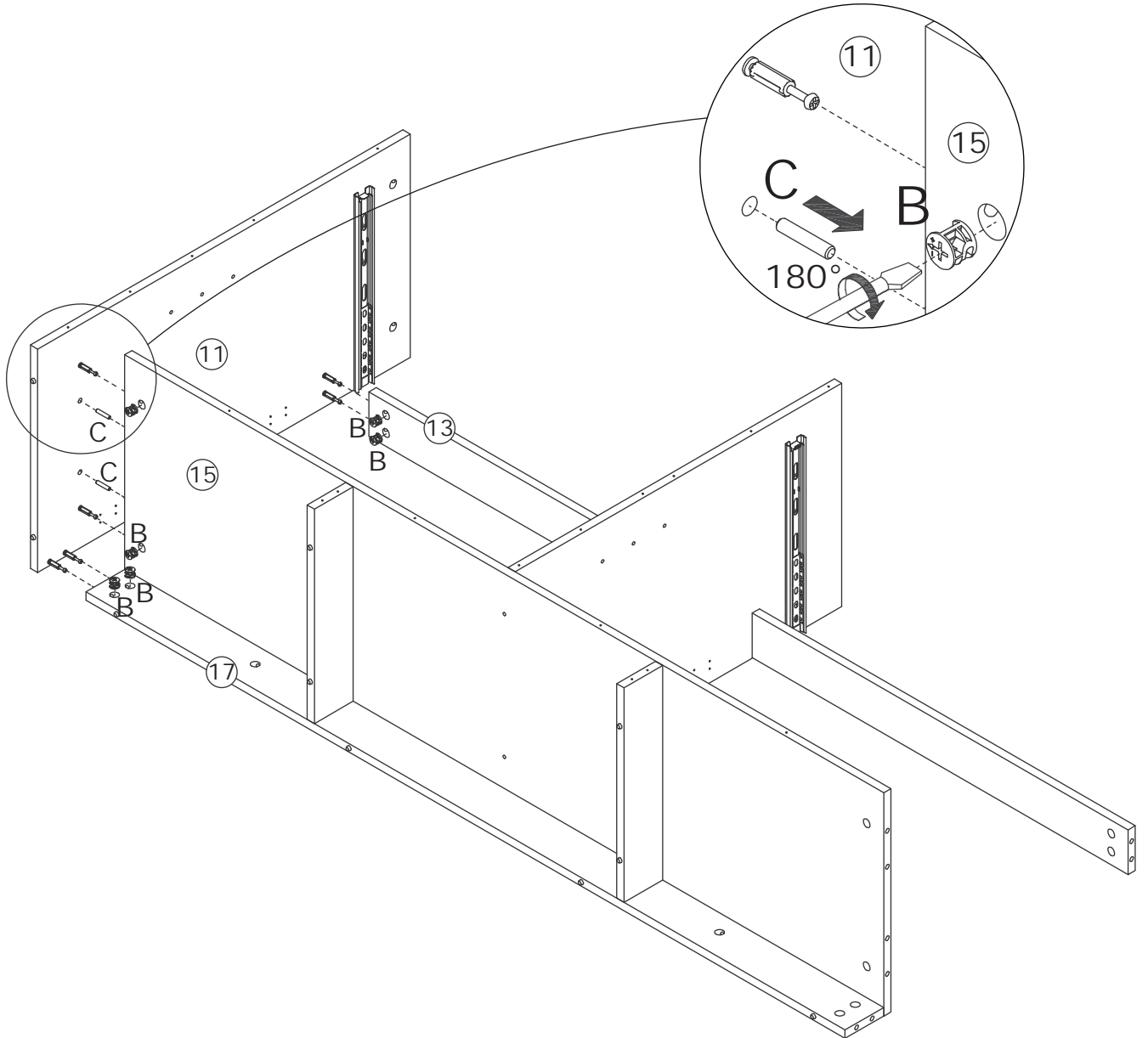
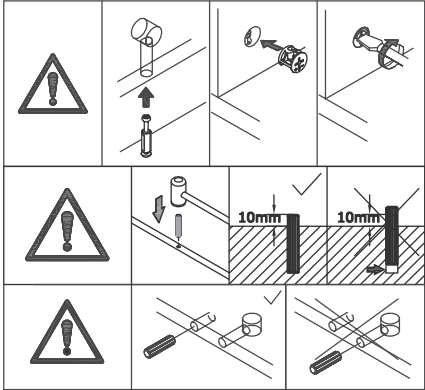
Back section of part 29




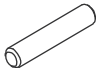
10

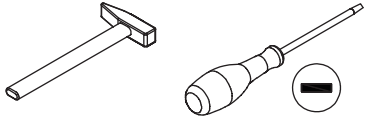


Knock only half of wooden dowel(C) into No.15 plate at first.  
Attach No.11 plate to No.13,15,17 plates and turn cam locks(B) clockwise to tighten as shown.

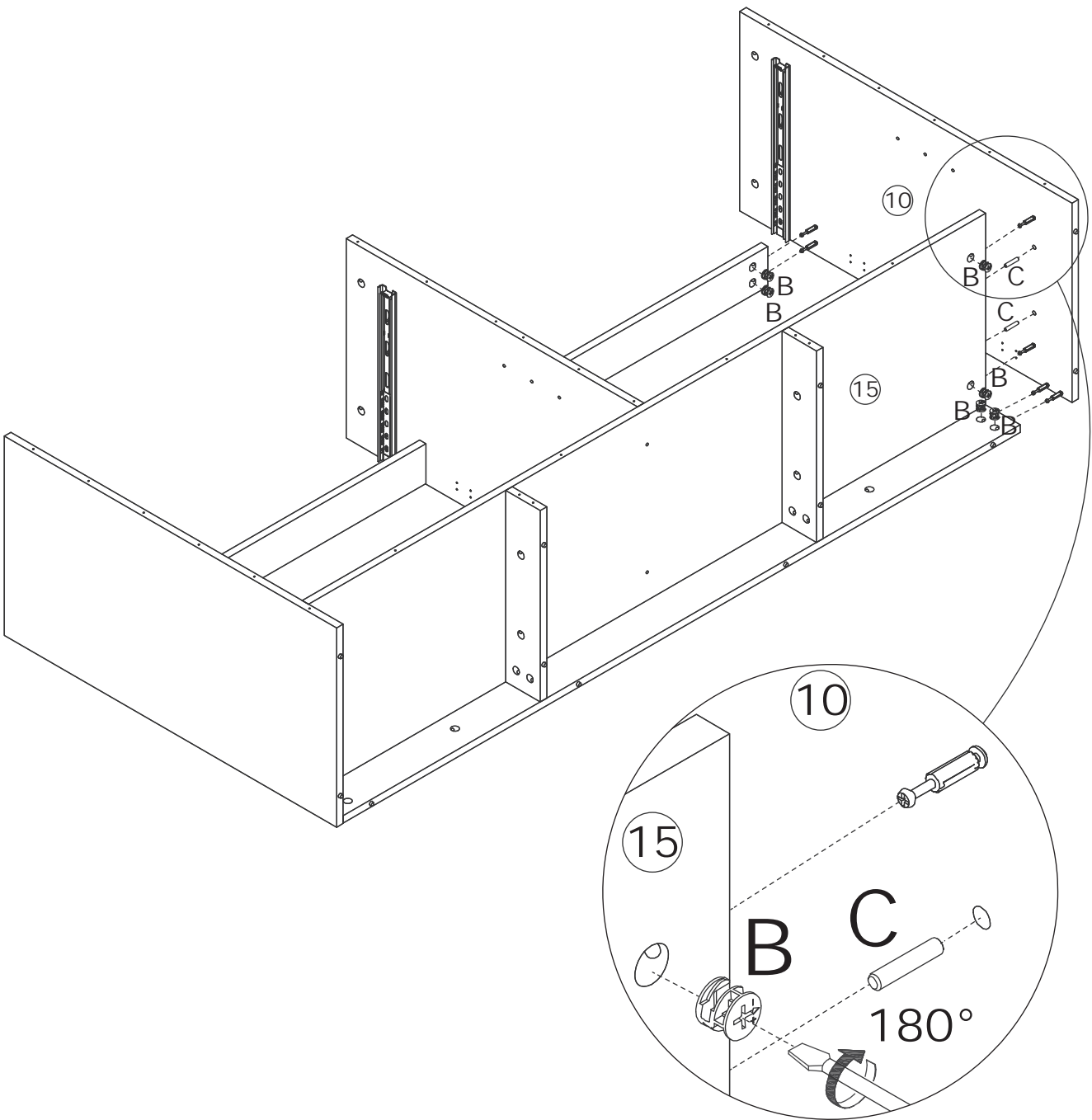
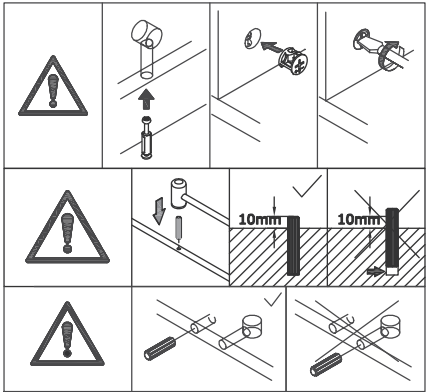


11

B x 6  Ø15 x 10 mm	C x 2  Ø8 x 40 mm
---	--



Knock only half of wooden dowel(C) into No.15 plate at first.  
Attach No.10 plate to No.13,15,17 plates and turn cam locks(B) clockwise to tighten as shown.

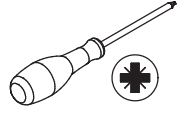


12

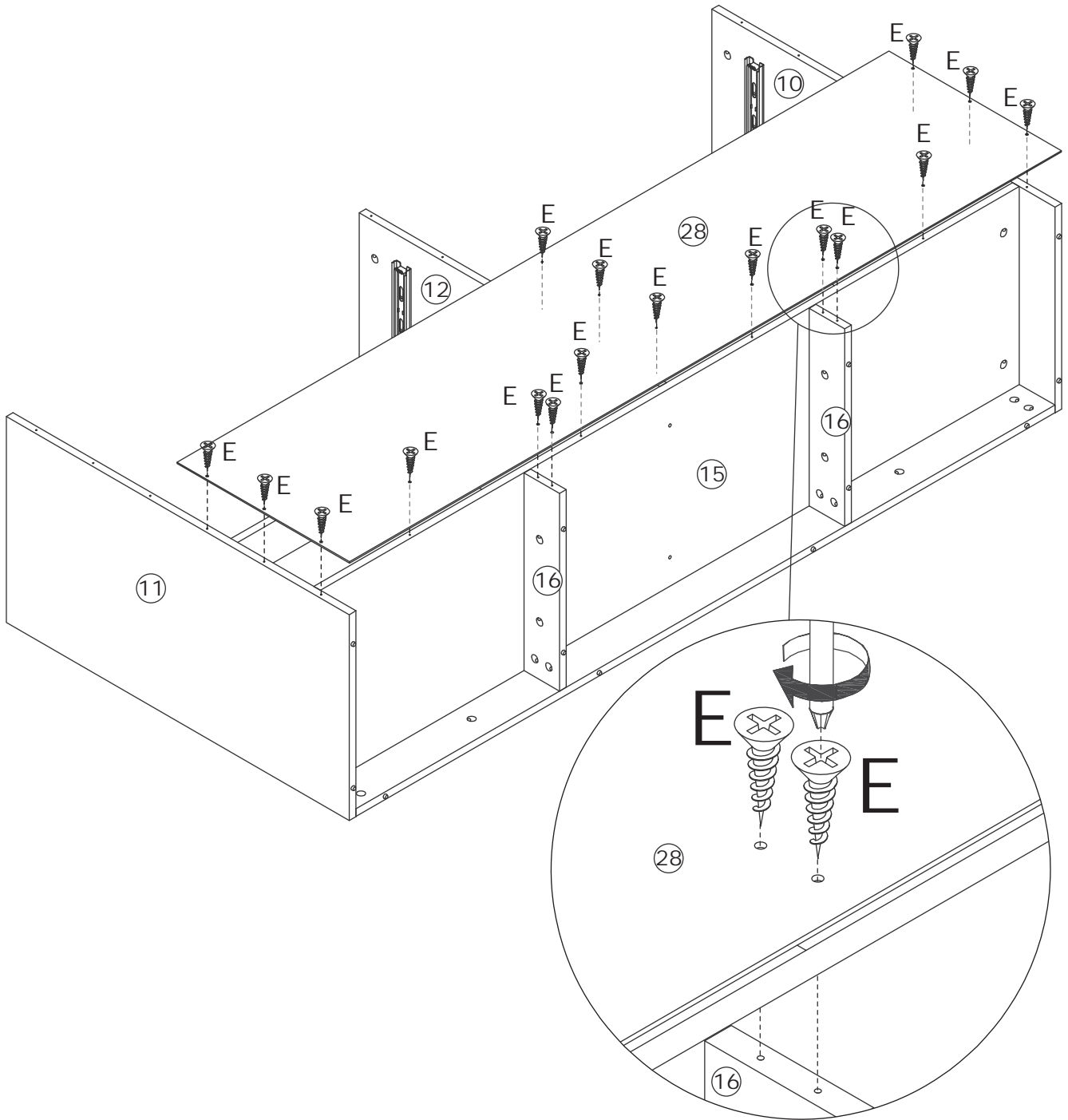
E x 17



M3.5 x 14 mm



Fix No.28 back plate with screw(E) as shown.

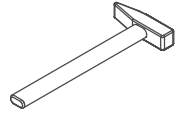


13

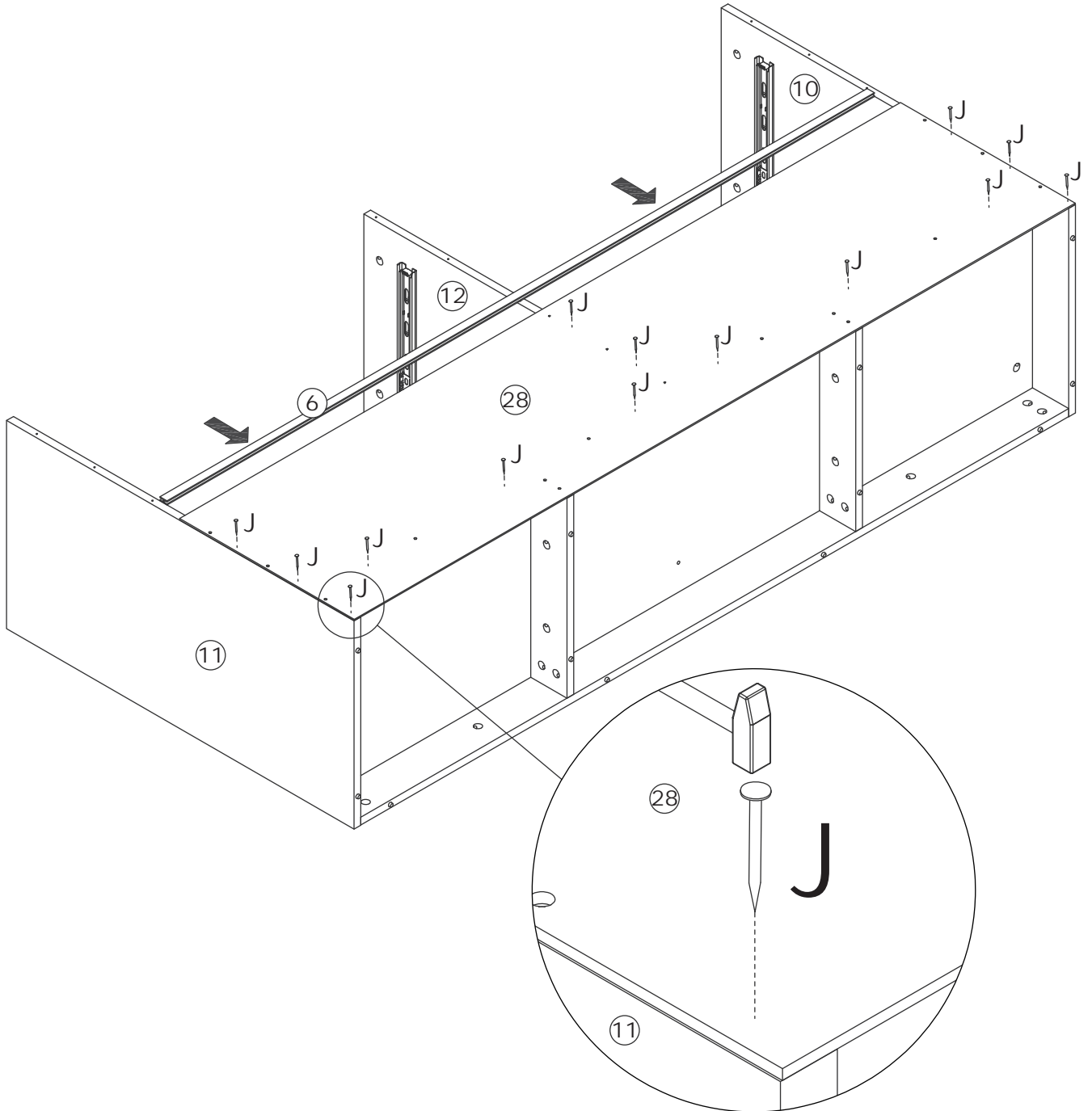
J x 14



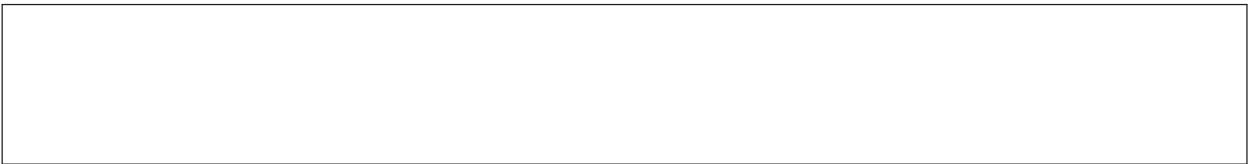
Ø1.5 x 15 mm



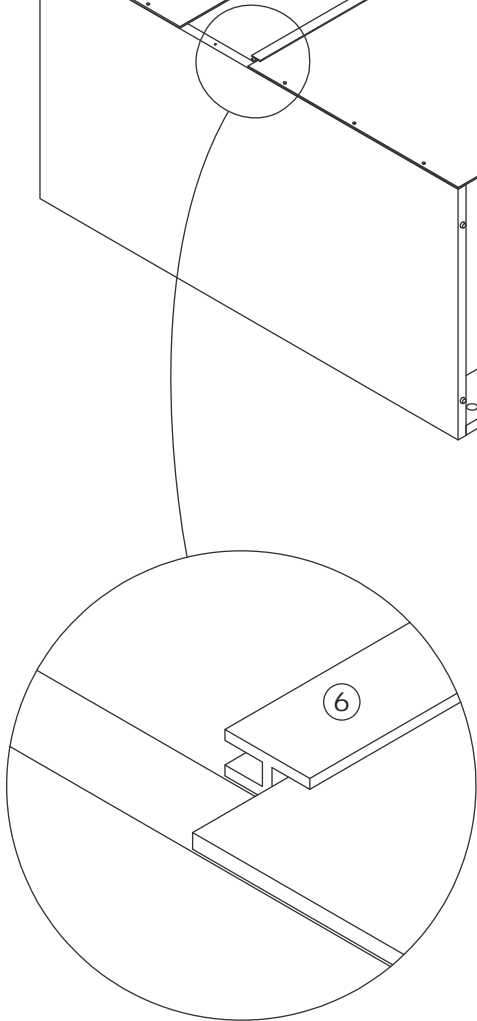
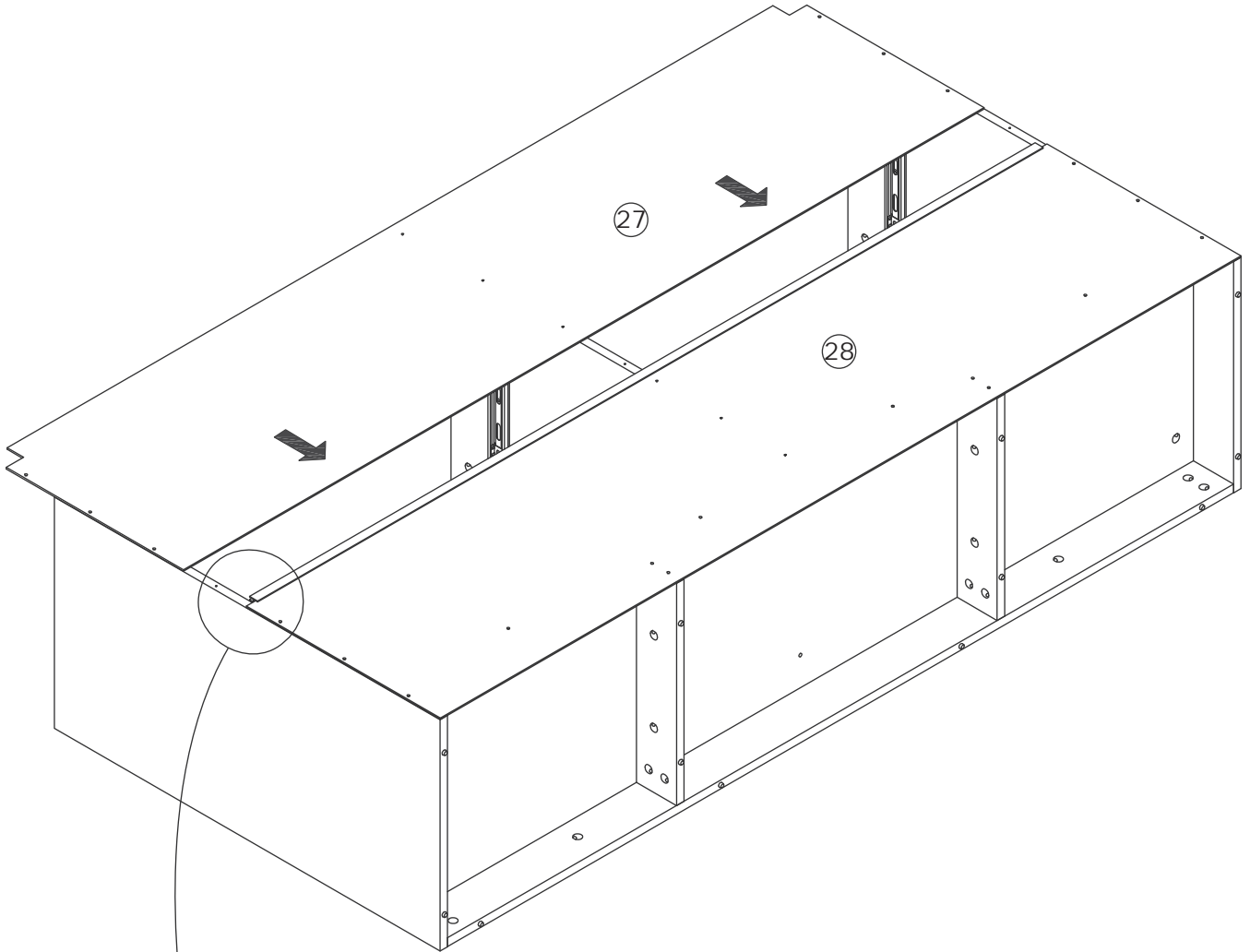
Reinforce the back plate with nail(J) as shown.  
Attach No.6 to No.28 plate.



14

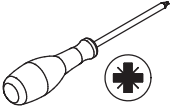


Slide No.27 plate to the groove of No.6 as shown.

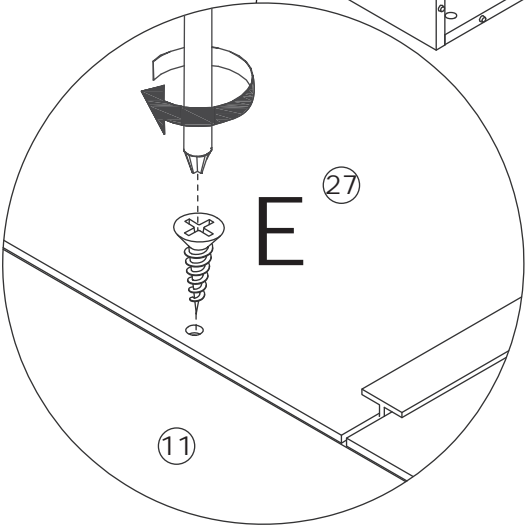
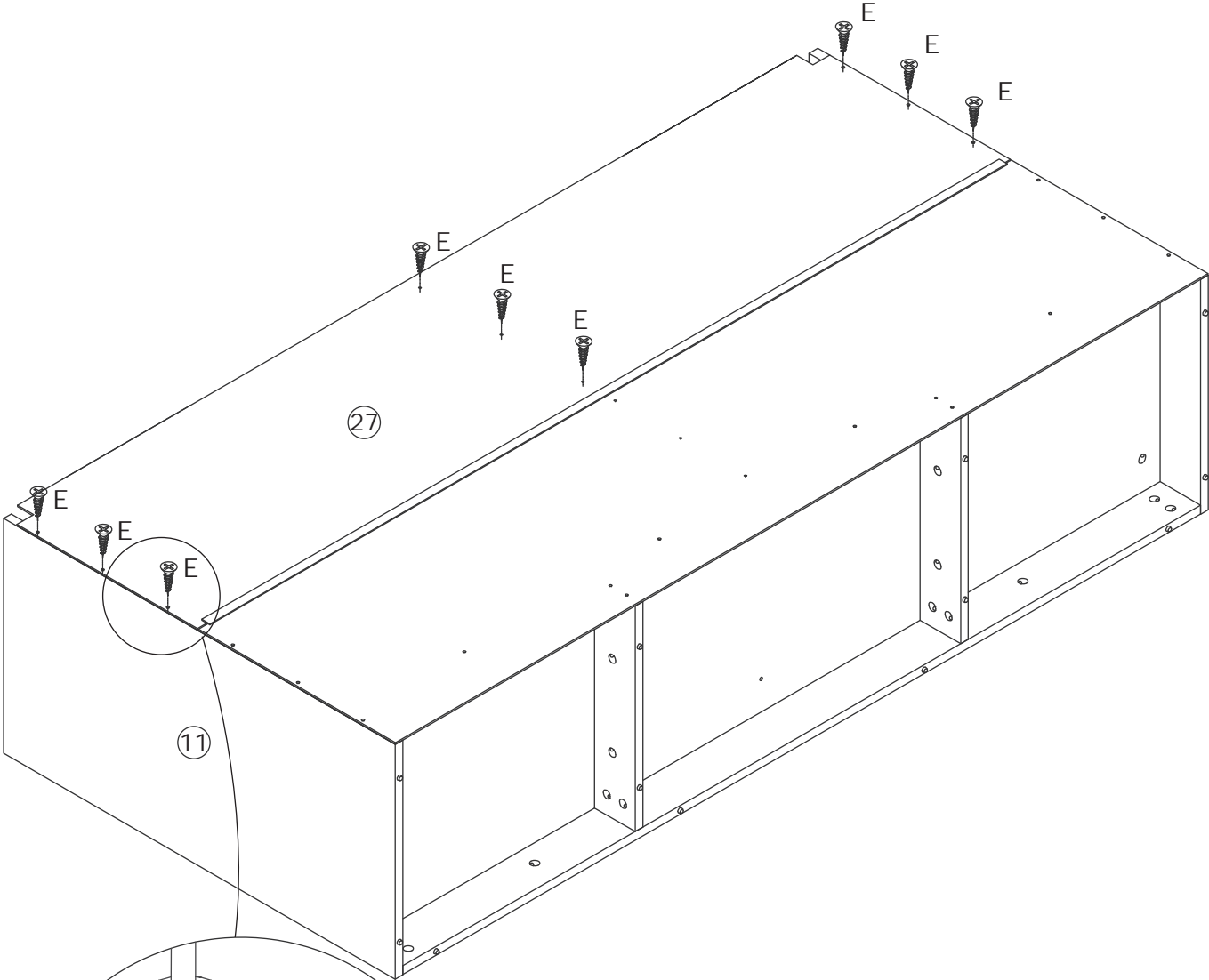


15

E x 9  
M3.5 x 14 mm

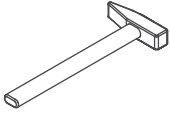


Fix No.27 back plate with screw(E) as shown.

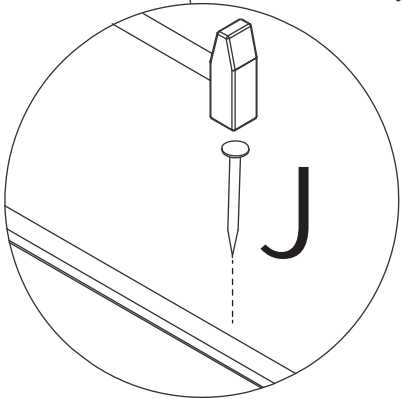
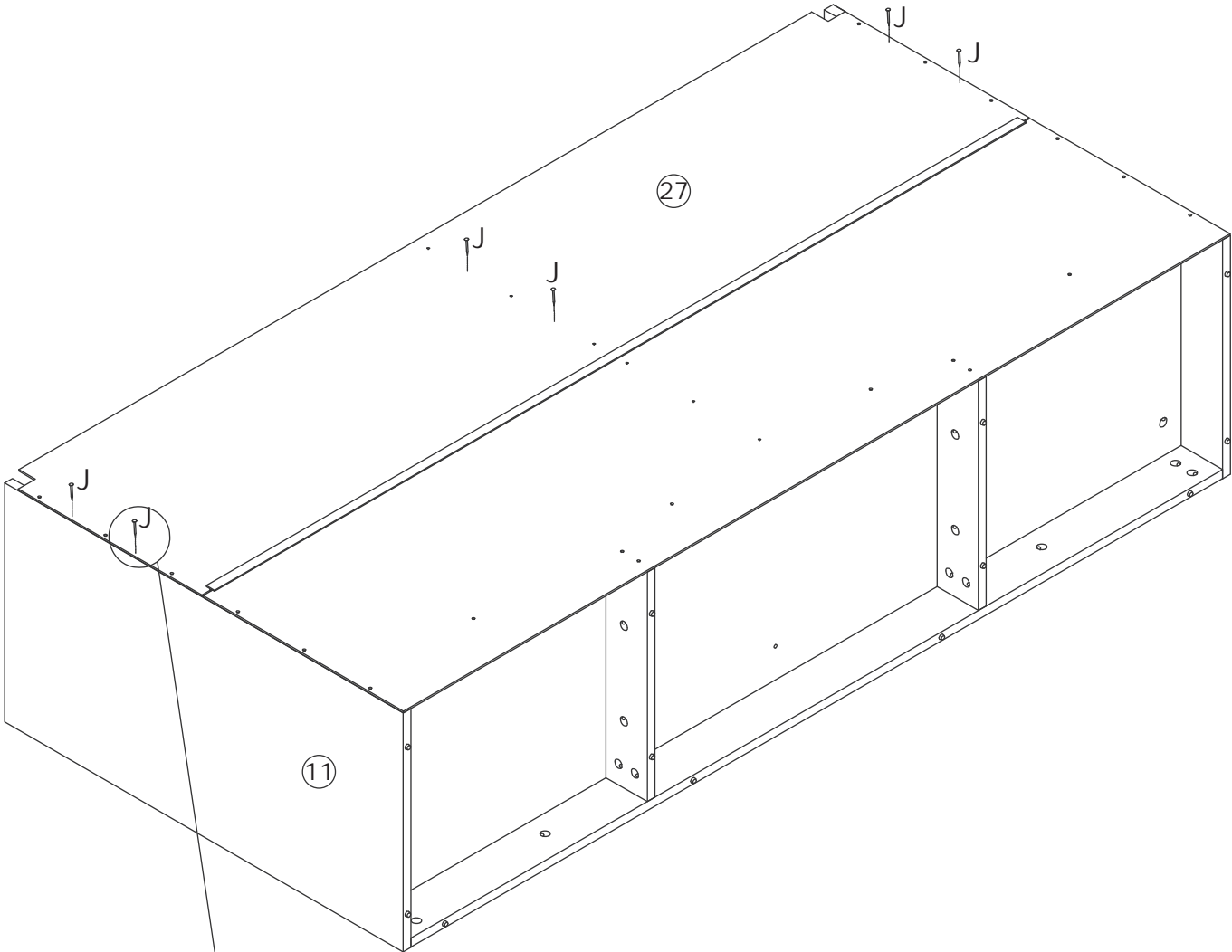


16

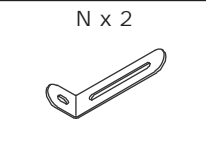
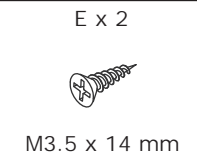
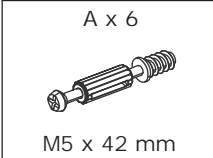
J x 6  
Ø1.5 x 15 mm



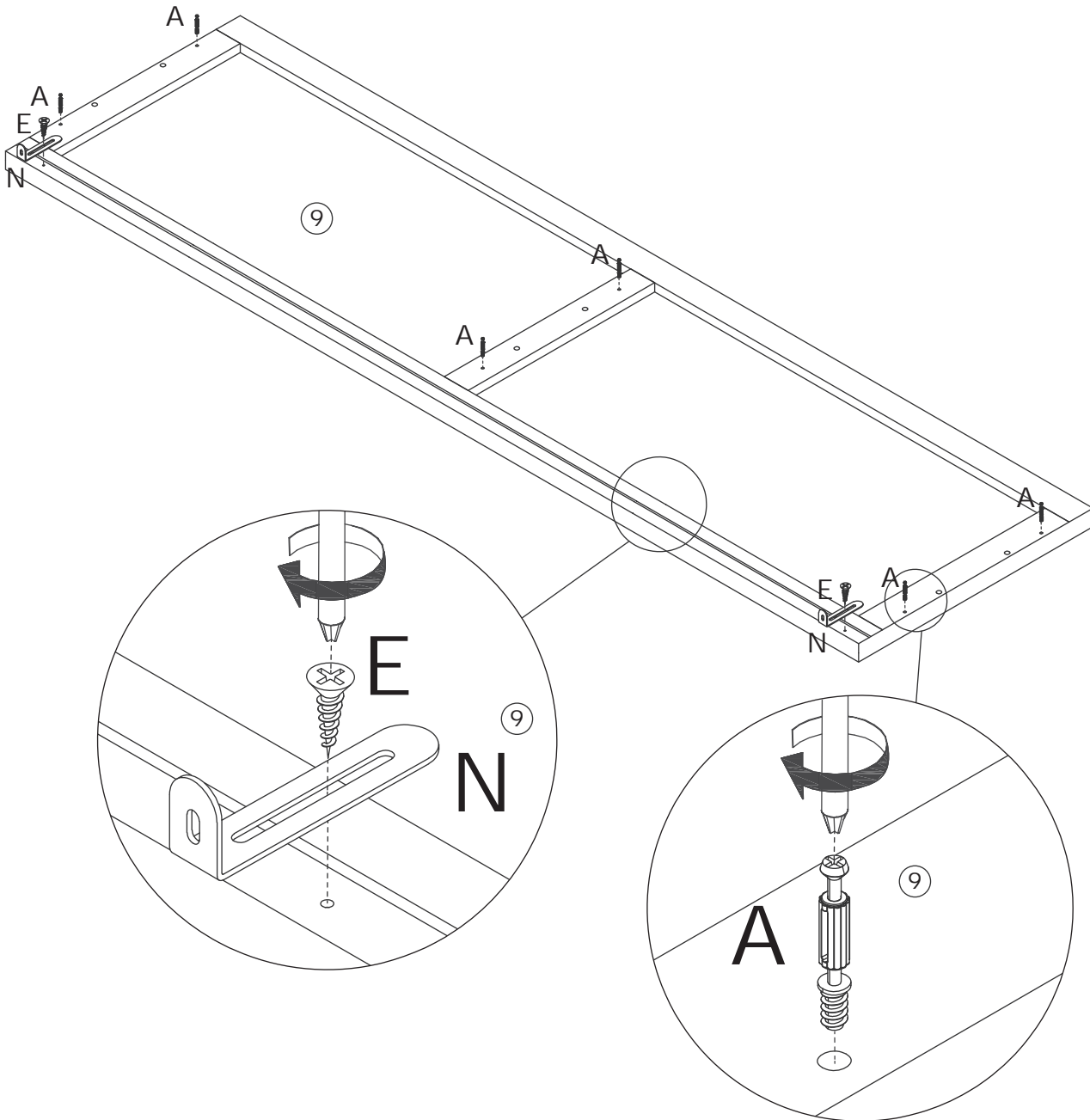
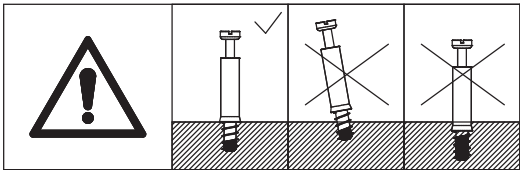
Reinforce the back plate with nail(J) as shown.



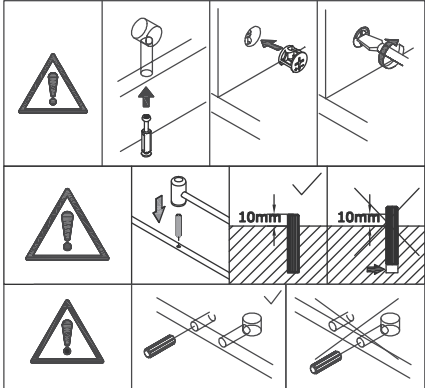
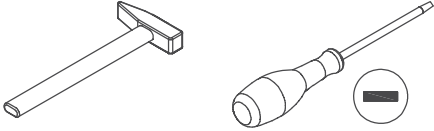
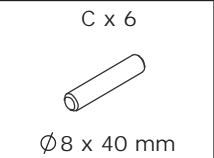
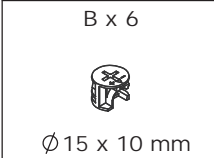
17



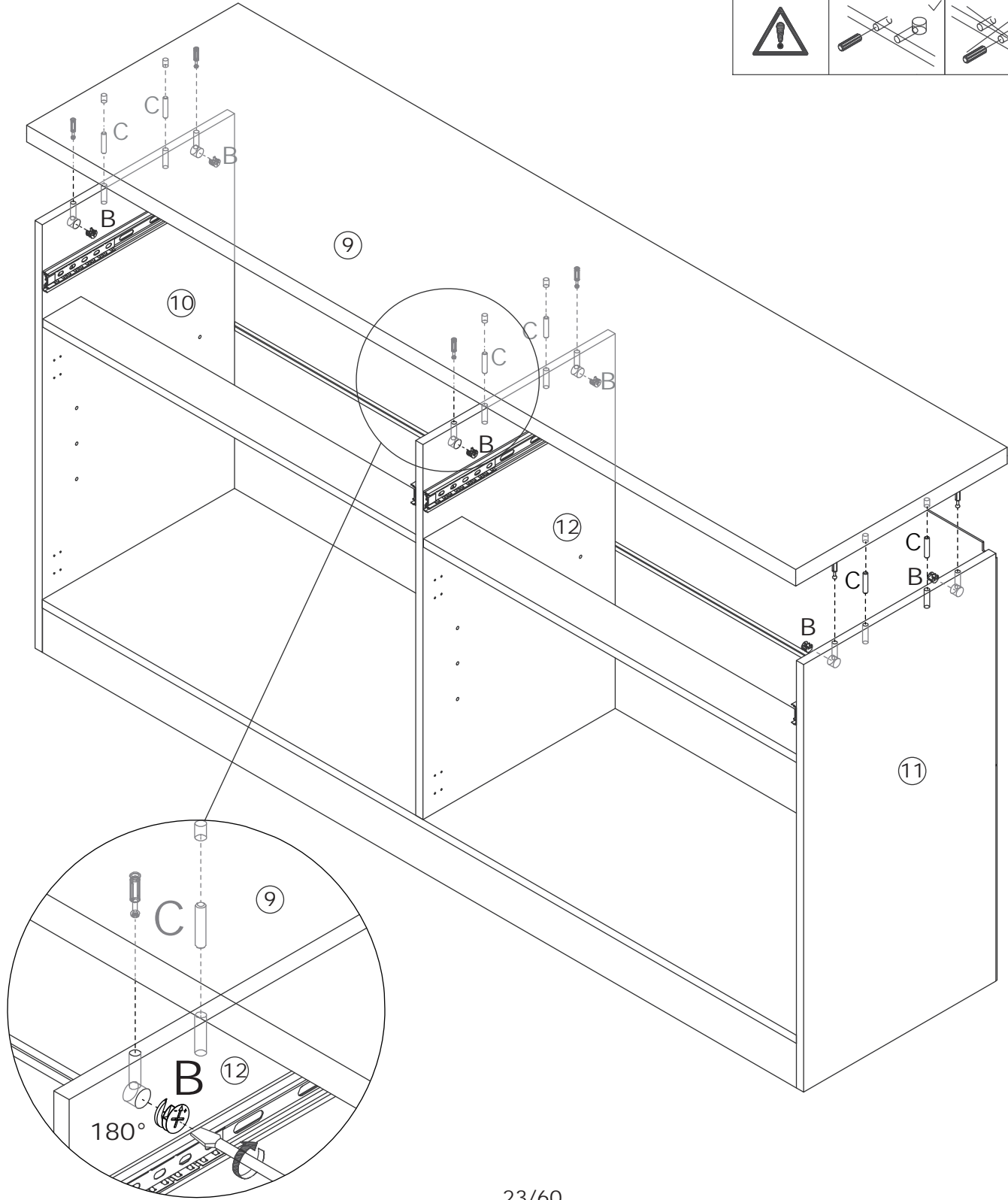
Insert quickfit screw(A) into corresponding holes in No.9 plate with a screwdriver as shown.  
Fix part(N) to No.9 plate with screw(E) as shown.



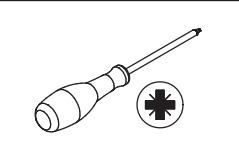
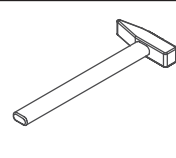
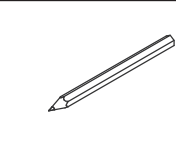
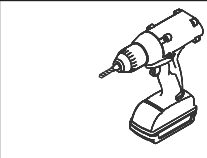
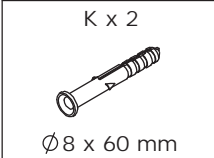
18



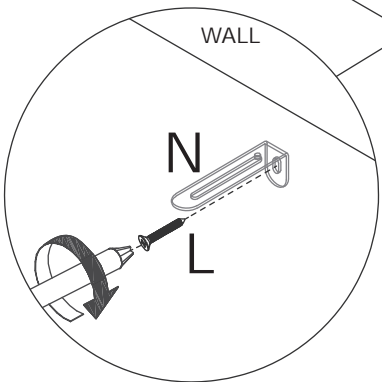
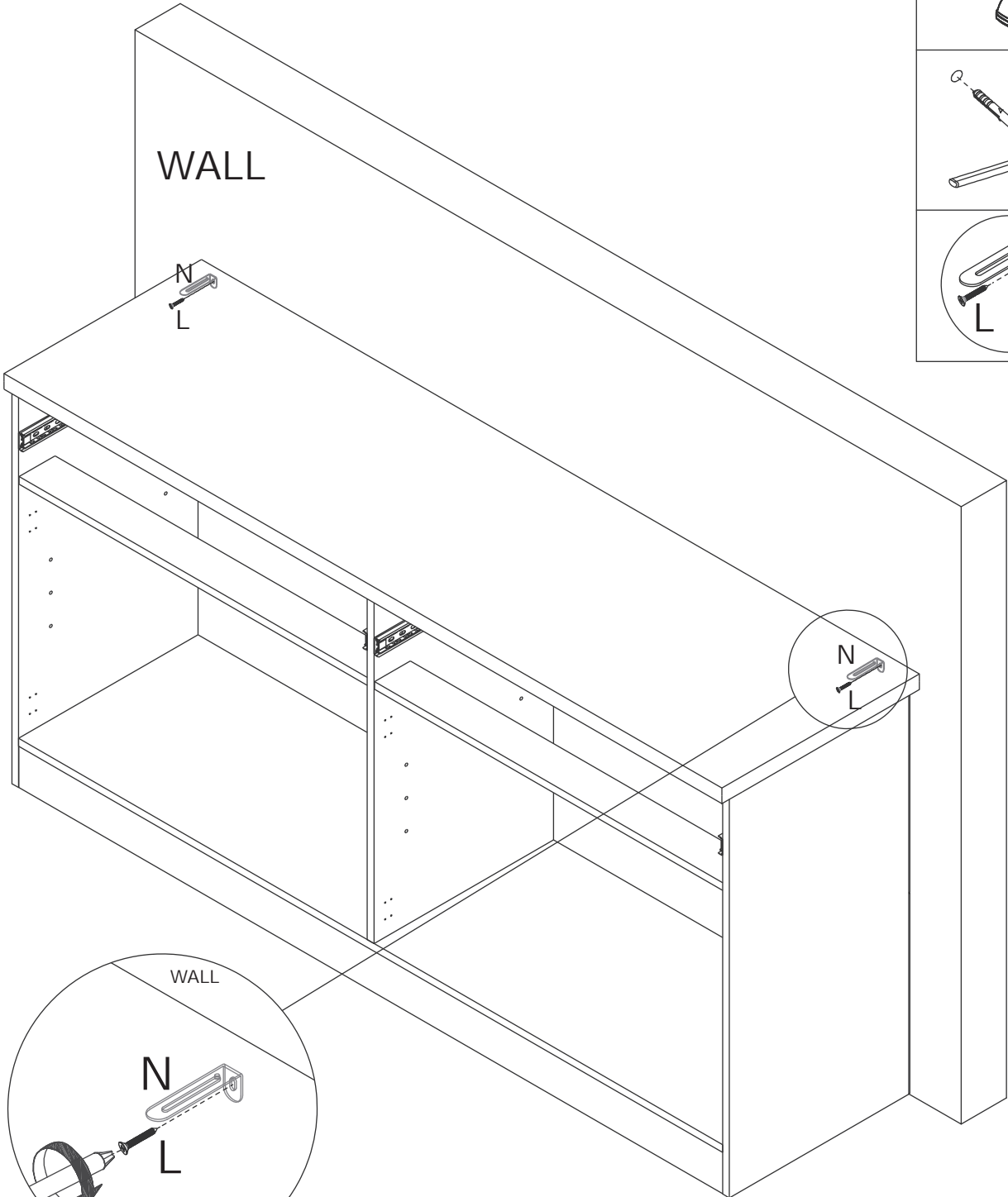
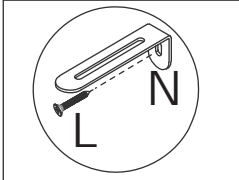
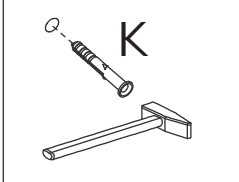
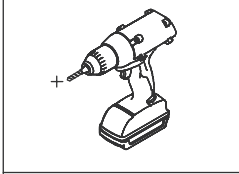
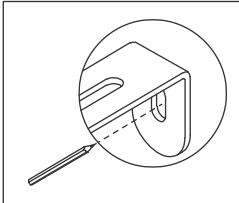
Cover No.9 plate to No.10,12,11 with wooden dowel(C) and turn cam locks(B) clockwise to tighten as shown.



19



After setting the hole position on the wall, use an electric drill to drill the hole, knock part(K) into the wall, and then fix the cabinet and the wall firmly with screw(L) as shown.

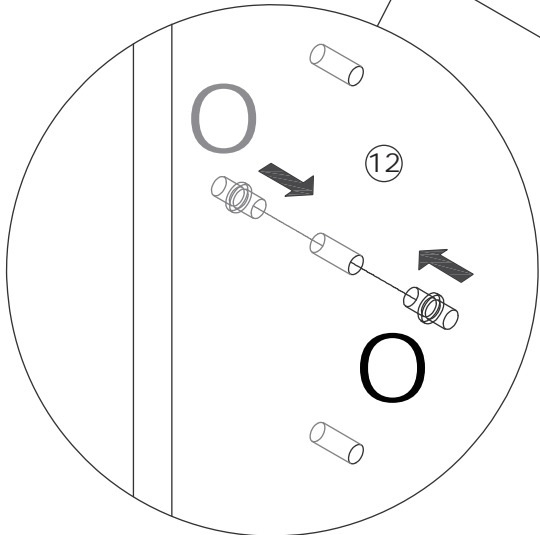
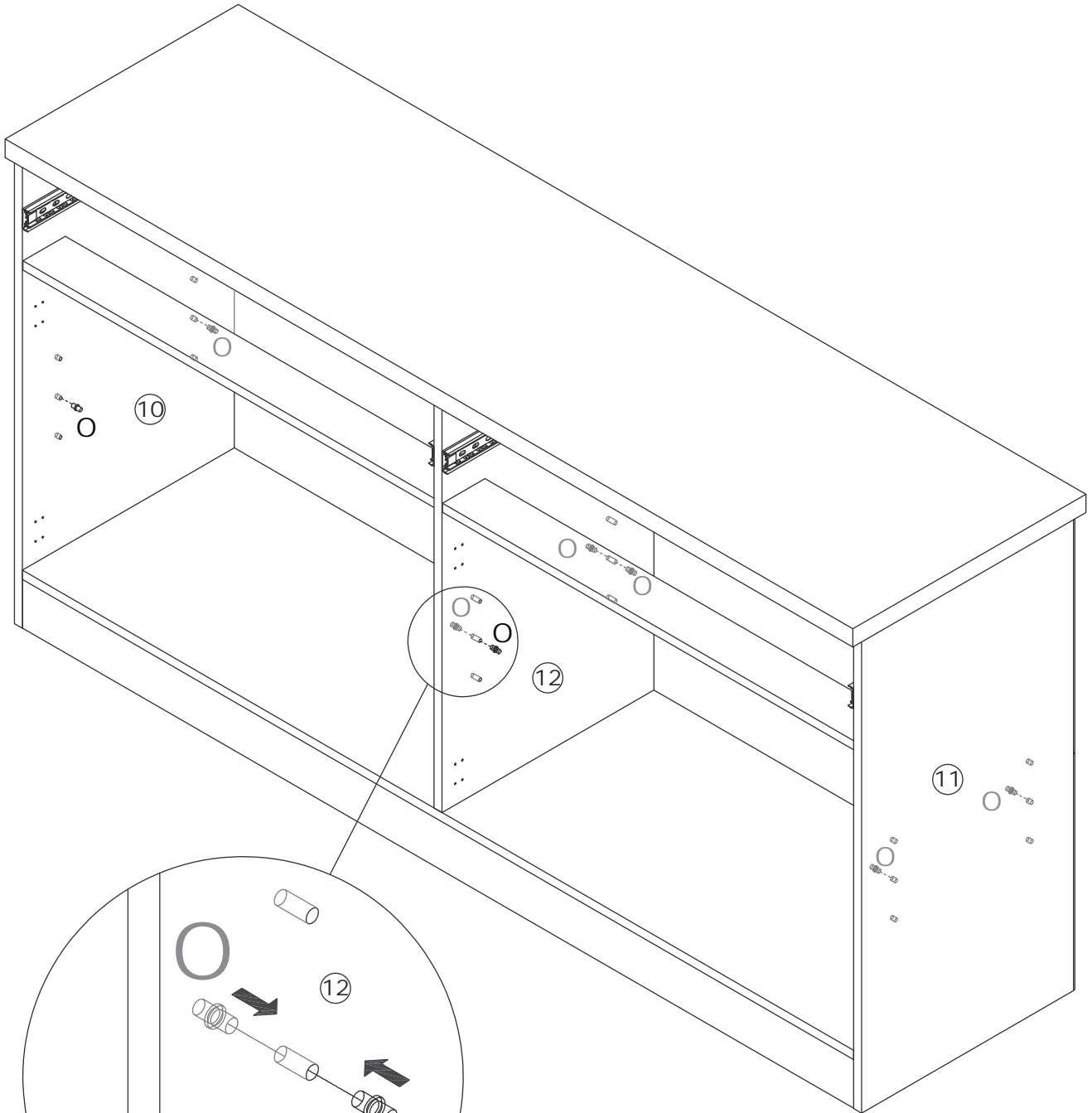


20

O x 8

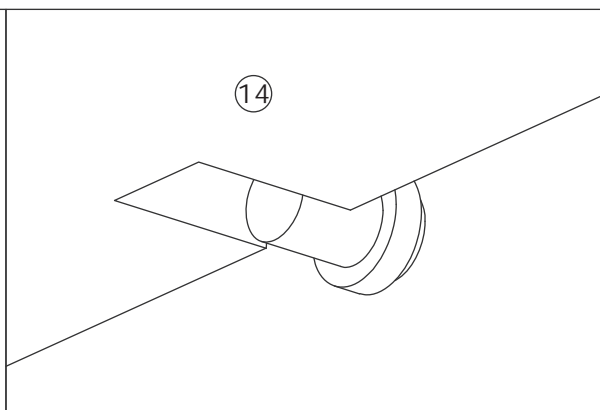
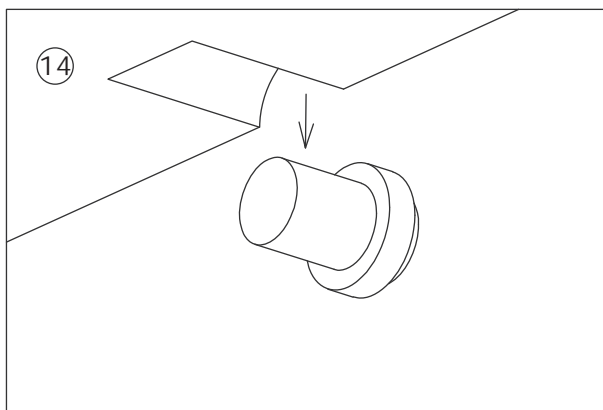
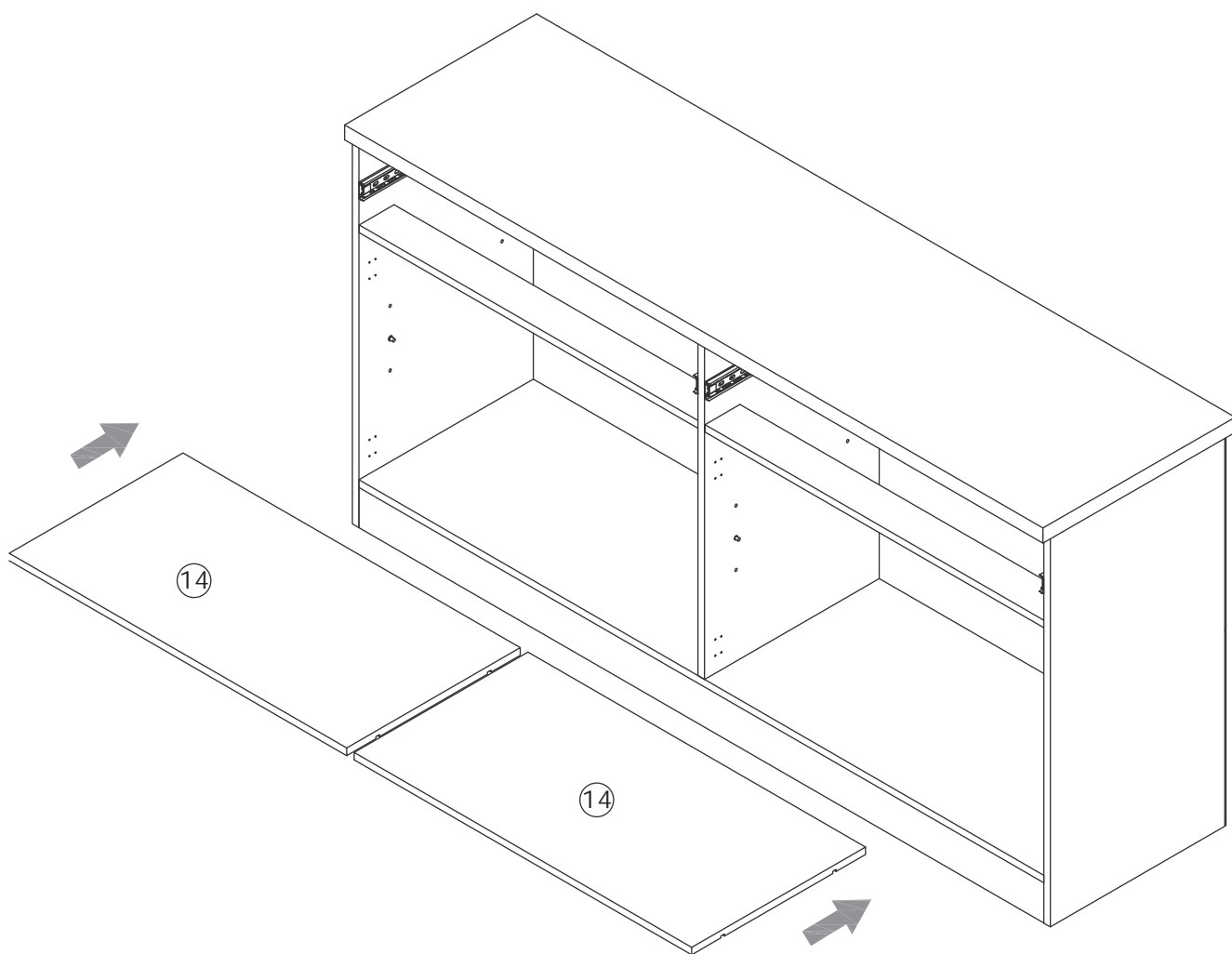


Insert part(O) into No.10,12,11 plates as shown.

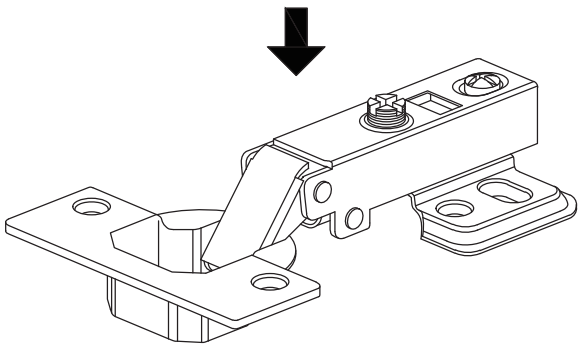


21

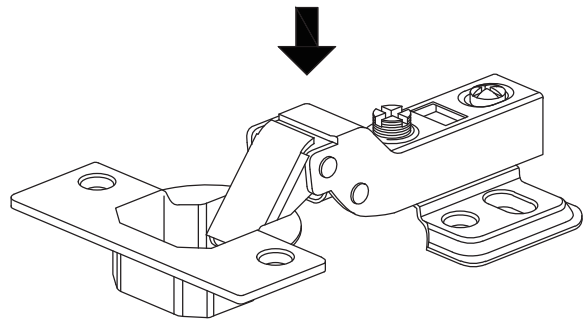
Put No.14 shelf in as shown.



Please note, here are two different types of hinges.  
The full coverage door hinges(I) are used on outermost door panel.  
The curved door hinges(H) are used on the door panel in the middle  
of the cabinet.




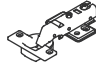
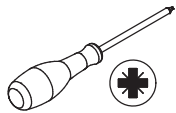
**I**

Full overlay hinge

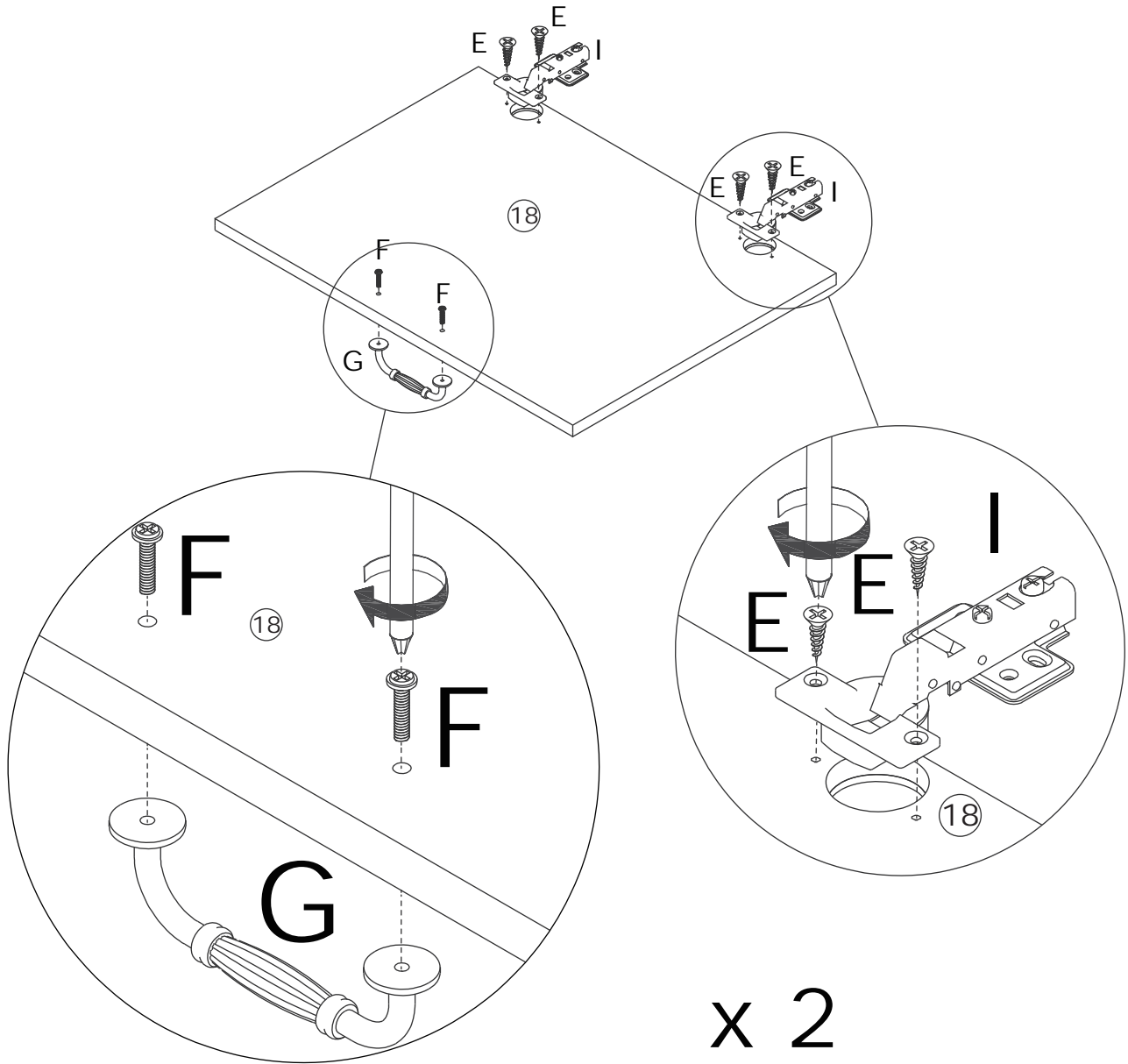
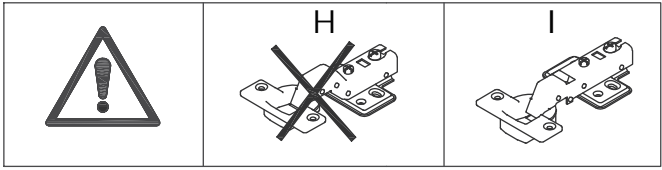
**H**

Half overlay hinge

23

E x 8  M3.5 x 14 mm	F x 4  M4 x 20 mm	G x 2 	I x 2 SETS 	
--	--	--	--	---

Please don't use an electric drill or use force to rotate, may cause crack.  
Fix hinge(I) to No.18 plate with screw(E) as shown.  
Fix handle(G) with screw(F) as shown.

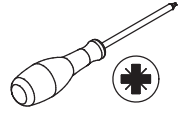


24

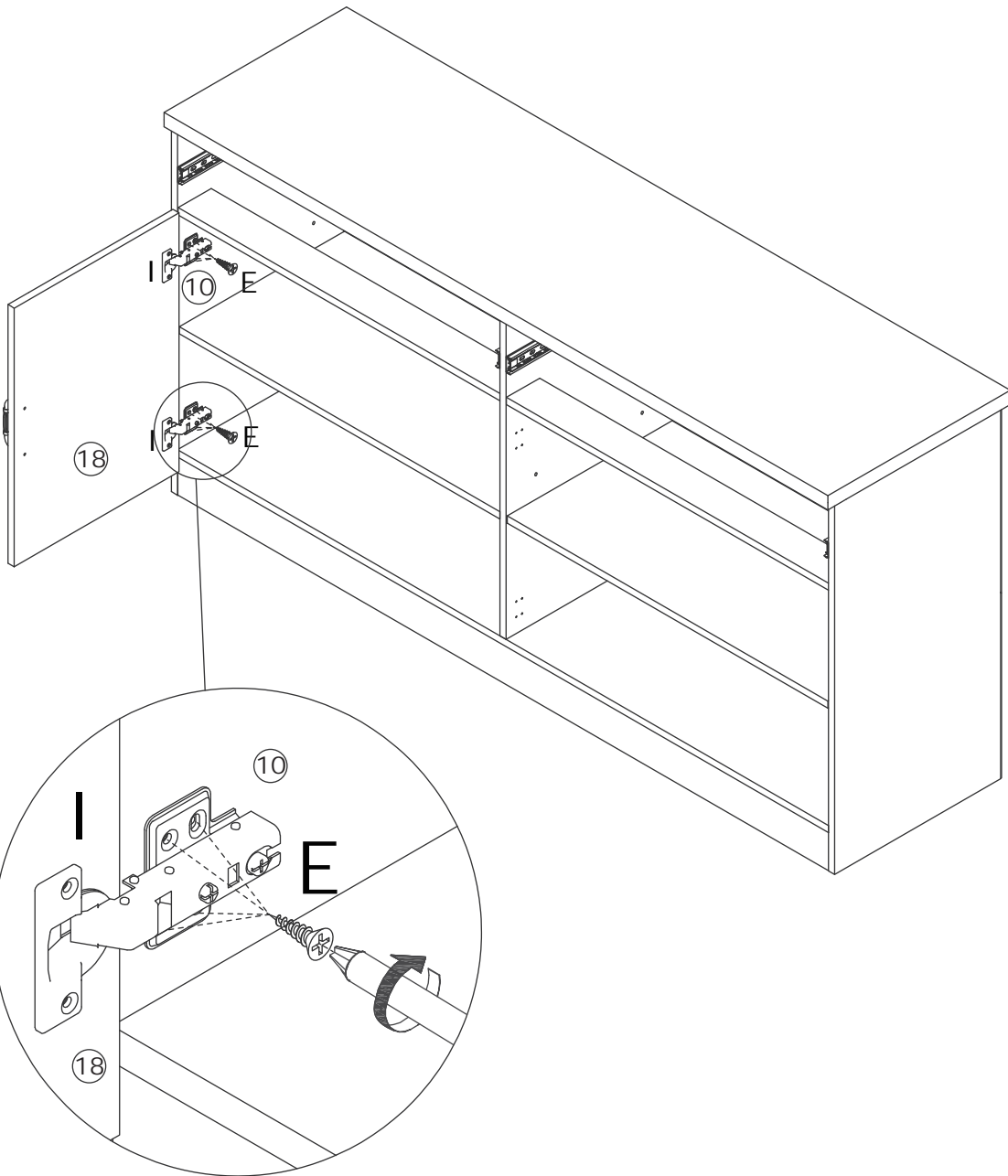
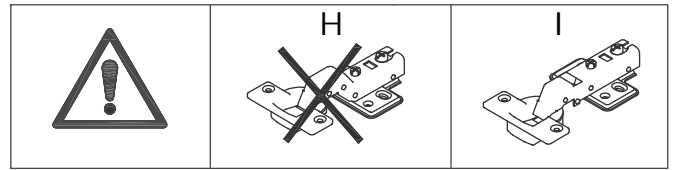
E x 8



M3.5 x 14 mm



Please don't use an electric drill or use force to rotate, may cause crack.  
Attach No.18 plate to No.10 by fixing hinge with screw(E) as shown.

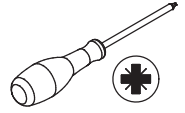


25

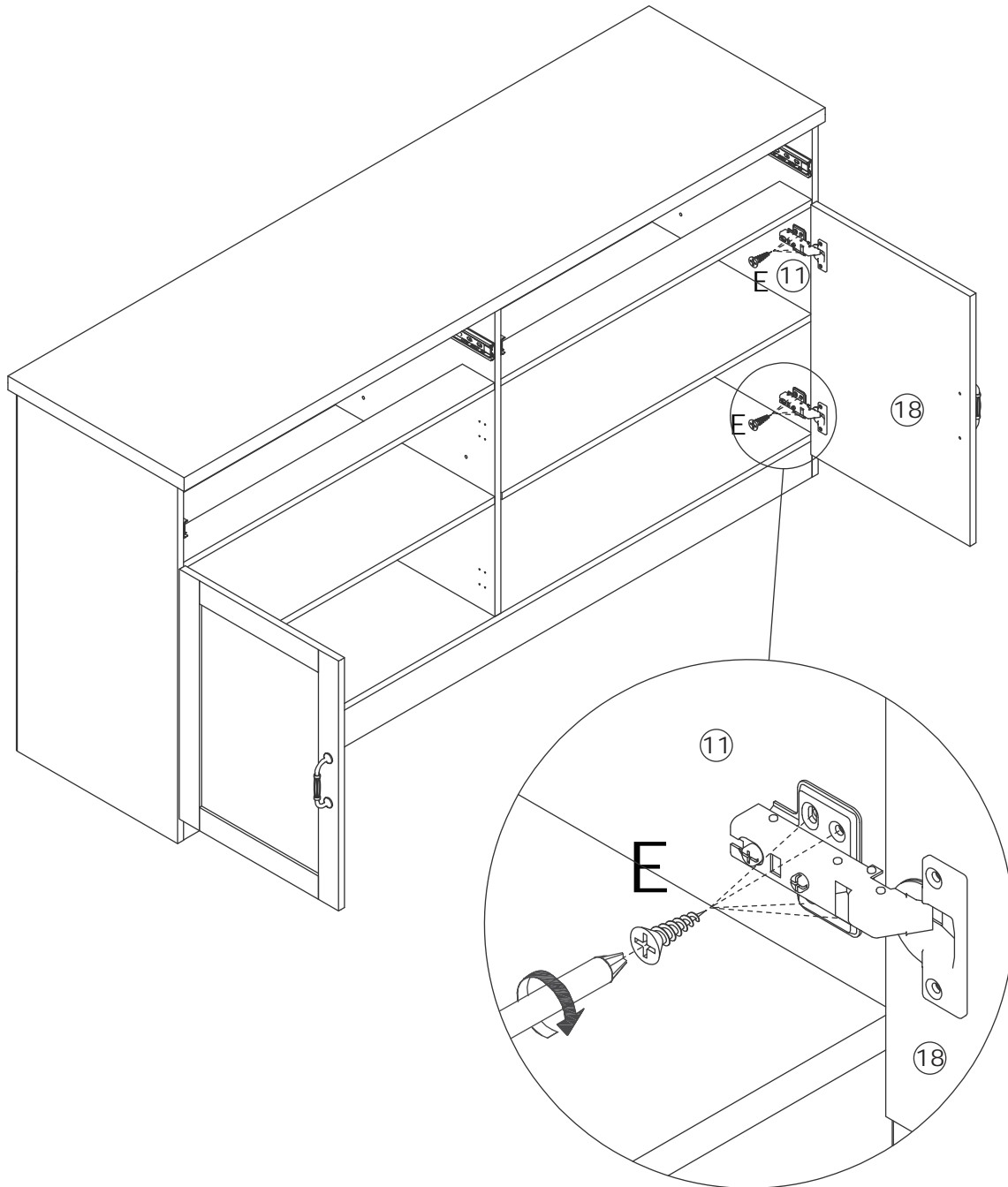
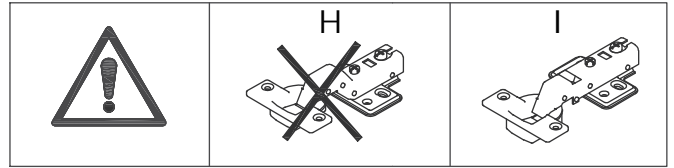
E x 8







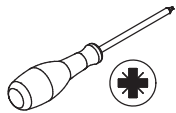
M3.5 x 14 mm



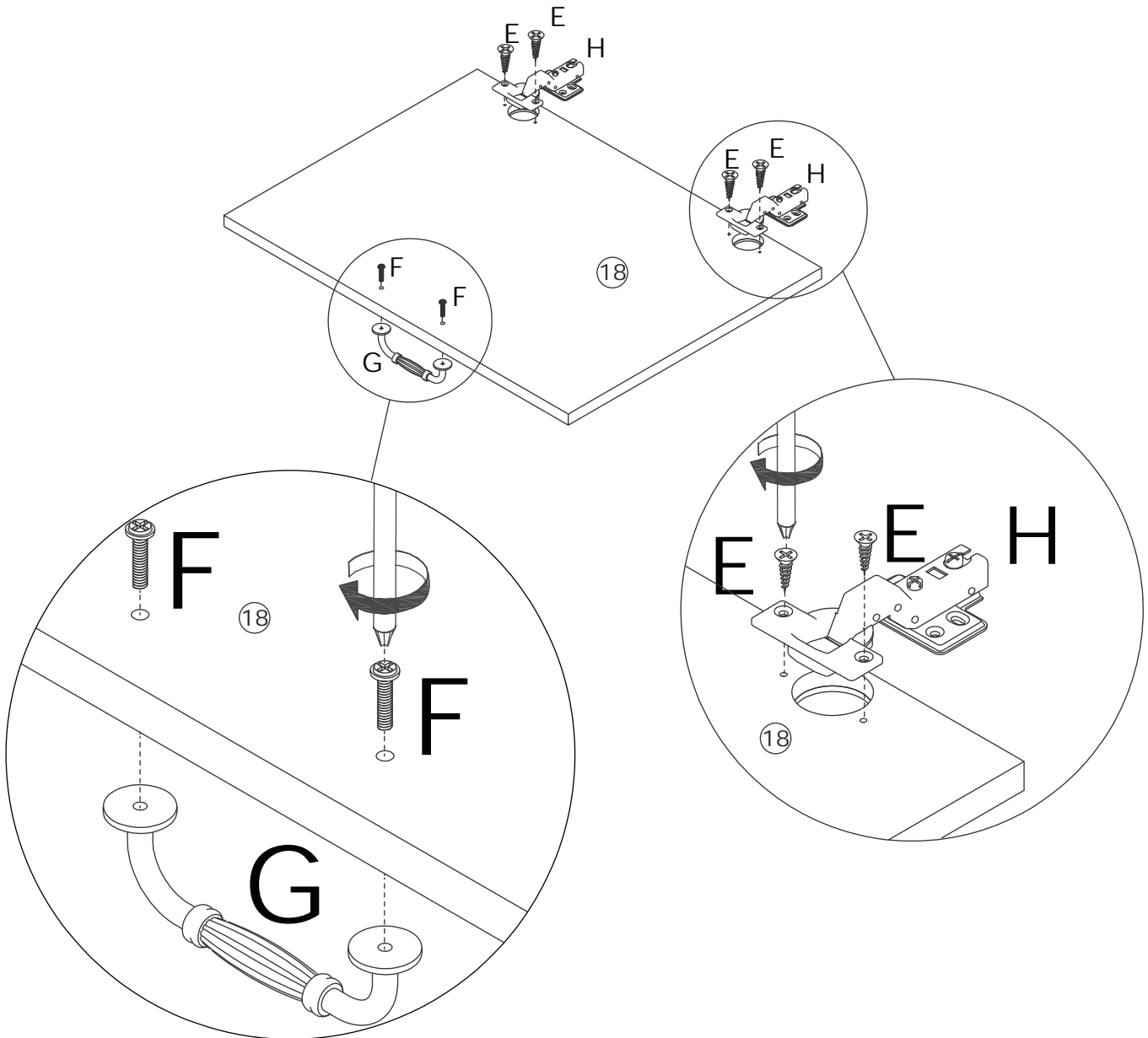
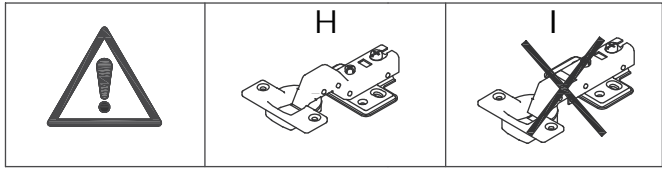
Please don't use an electric drill or use force to rotate, may cause crack.  
Attach another No.18 plate to No.11 by fixing hinge with screw(E) as shown.



26

E x 4  M3.5 x 14 mm	F x 2  M4 x 20 mm	G x 1 	H x 1 SETS 	
--	--	--	--	---

Please don't use an electric drill or use force to rotate, may cause crack.  
Fix hinge(H) to No.18 plate with screw(E) as shown.  
Fix handle(G) with screw(F) as shown.

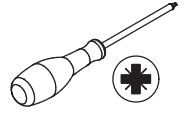


27

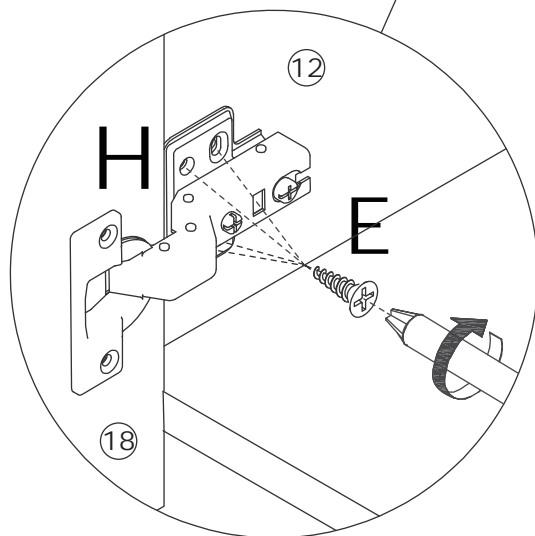
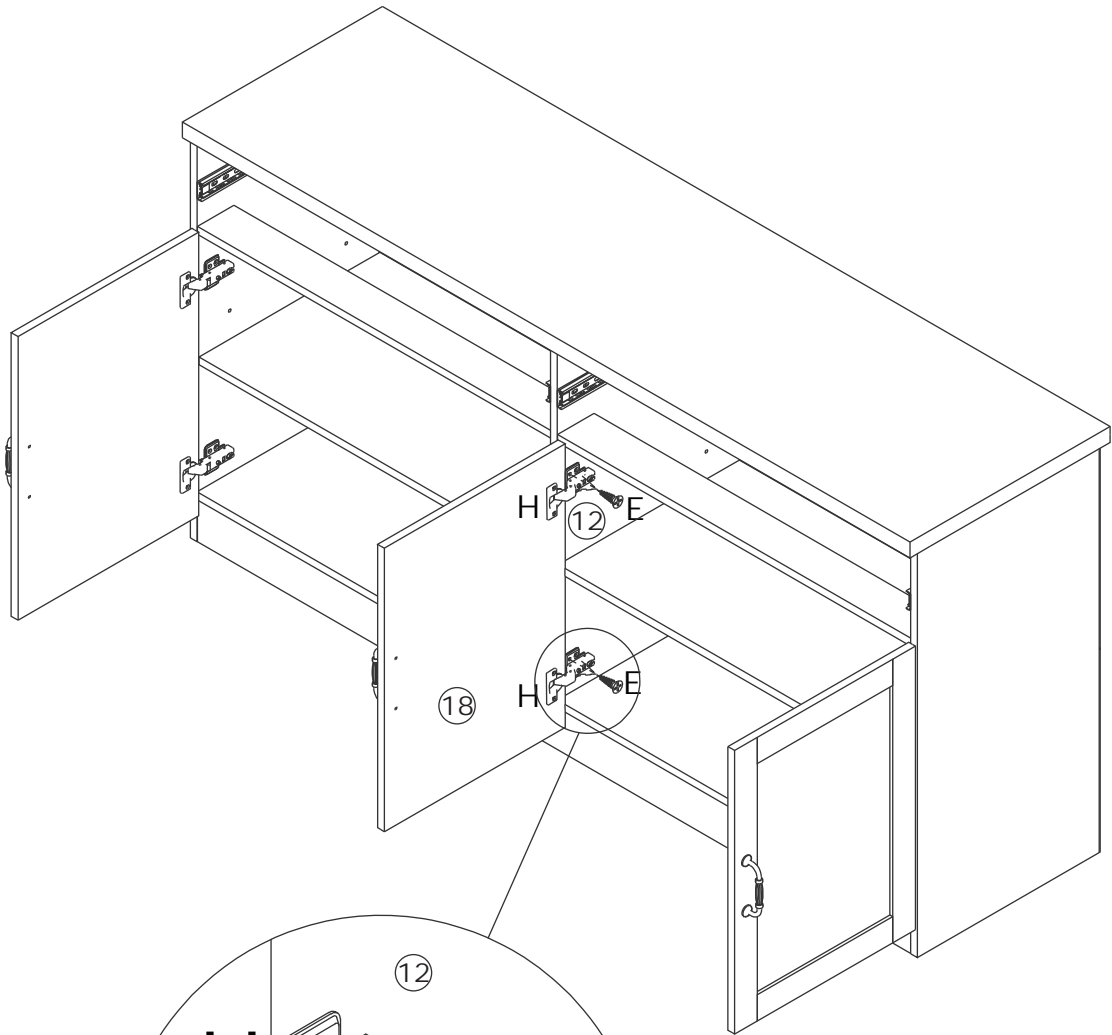
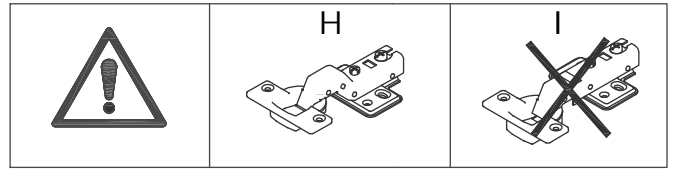
E x 8







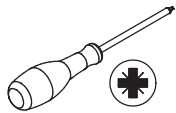
M3.5 x 14 mm



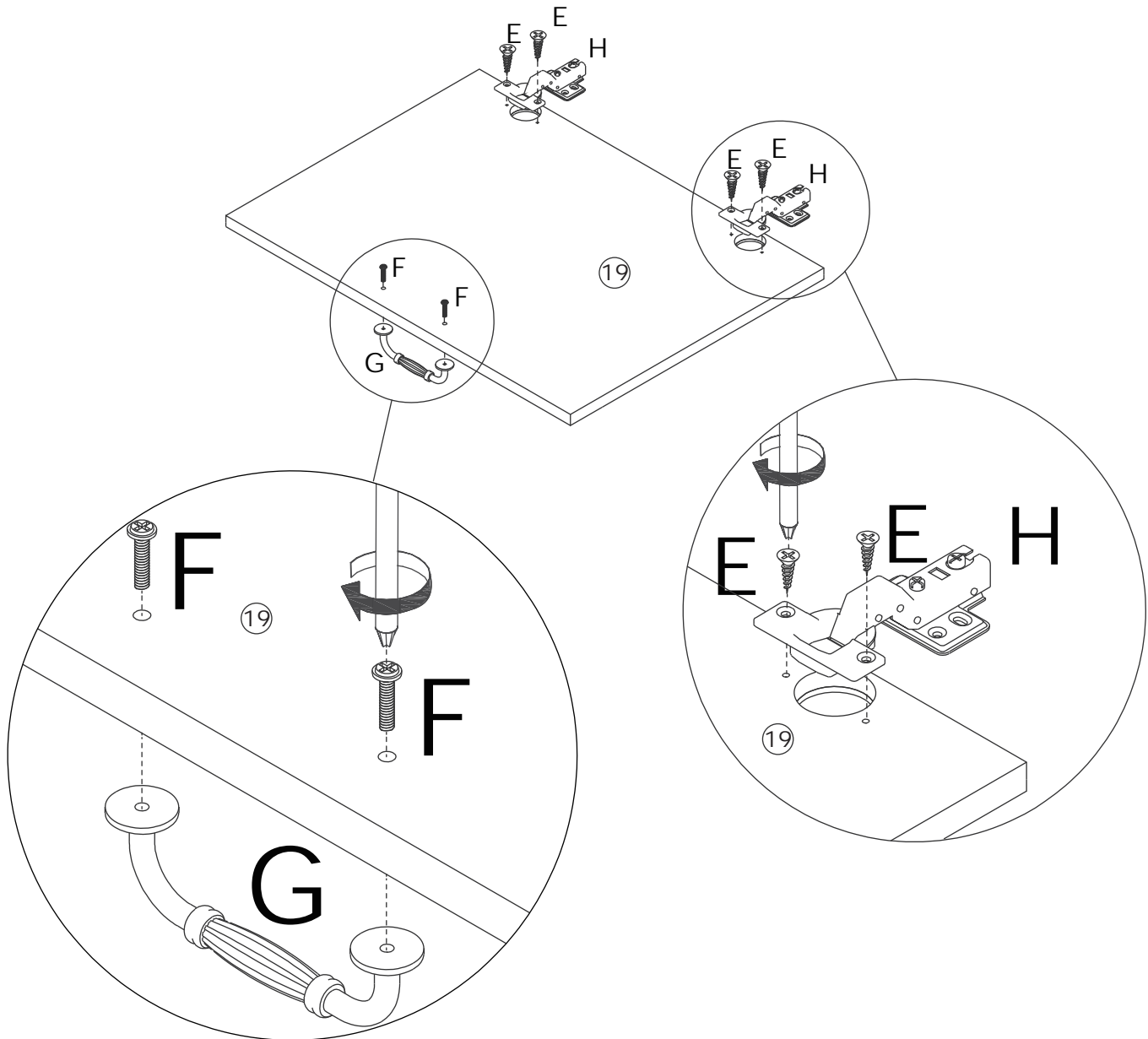
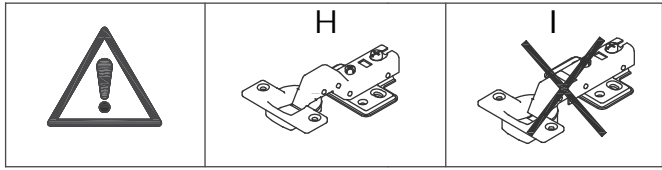
Please don't use an electric drill or use force to rotate, may cause crack.  
Attach No.18 plate to No.12 by fixing hinge(H) with screw(E) as shown.



28

E x 4  M3.5 x 14 mm	F x 2  M4 x 20 mm	G x 1 	H x 1 SETS 	
--	--	--	--	---

Please don't use an electric drill or use force to rotate, may cause crack.  
Fix hinge(H) to No.19 plate with screw(E) as shown.  
Fix handle(G) with screw(F) as shown.

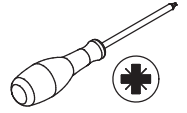


29

E x 8

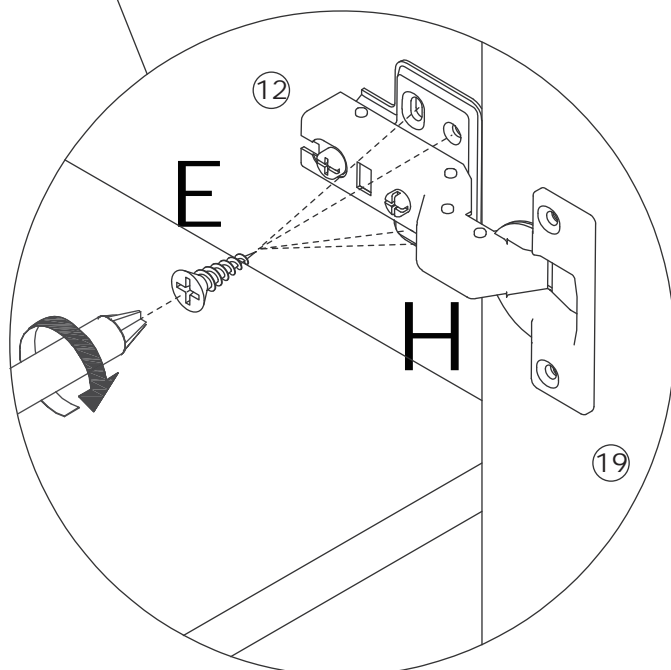
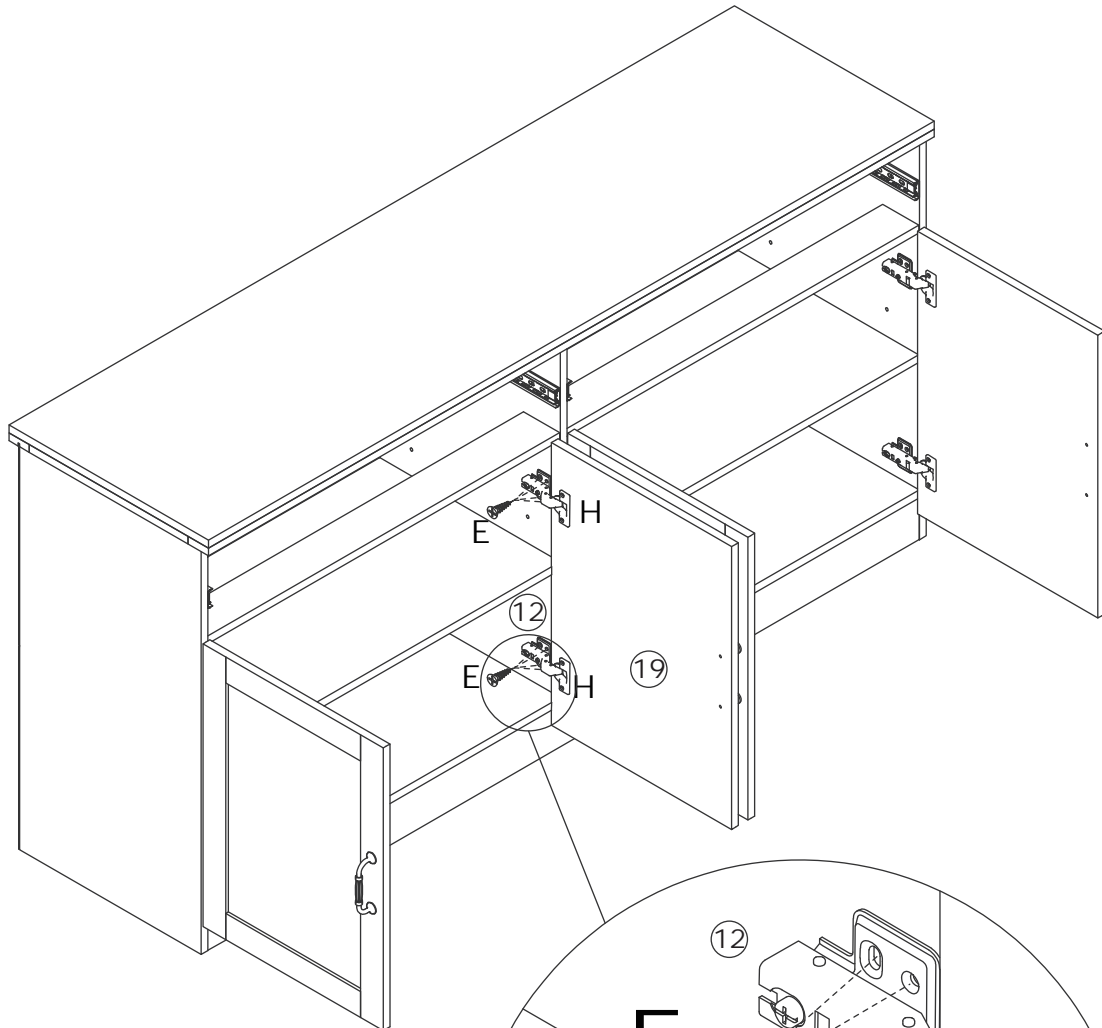
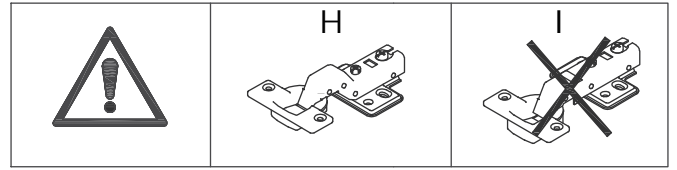


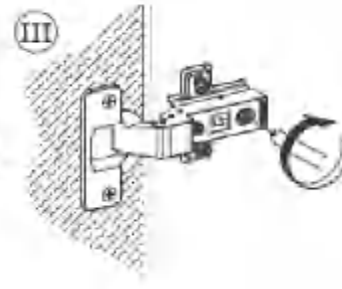
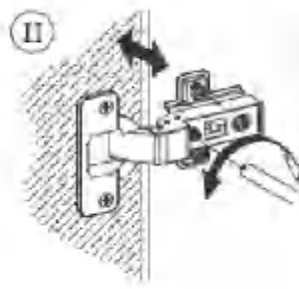
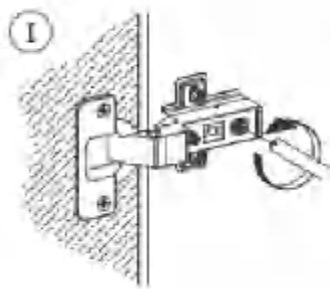
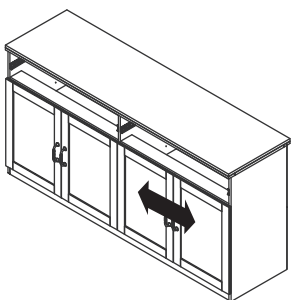
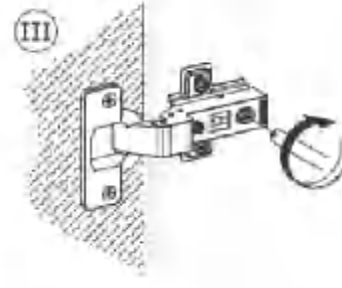
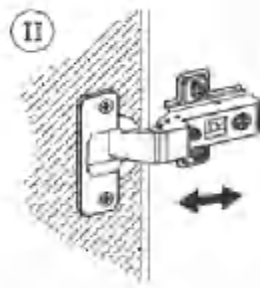
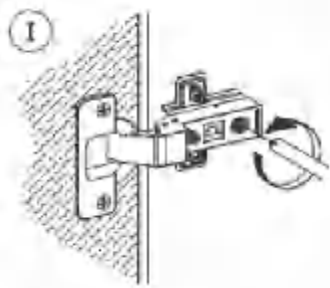
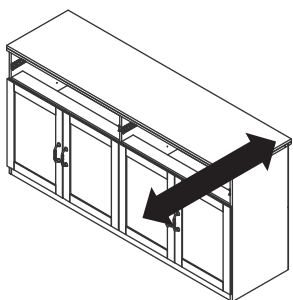
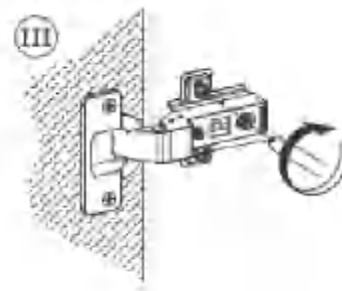
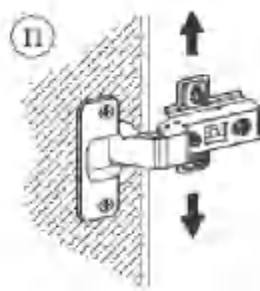
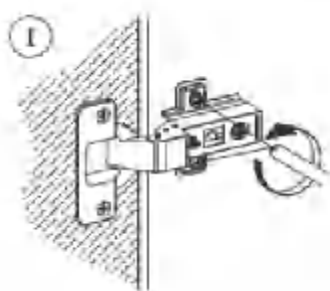
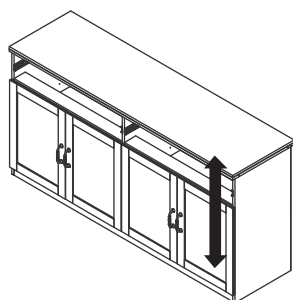
M3.5 x 14 mm



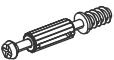


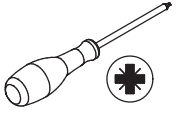
Please don't use an electric drill or use force to rotate, may cause crack.

Attach No.19 plate to No.12 by fixing hinge(H) with screw(E) as shown.

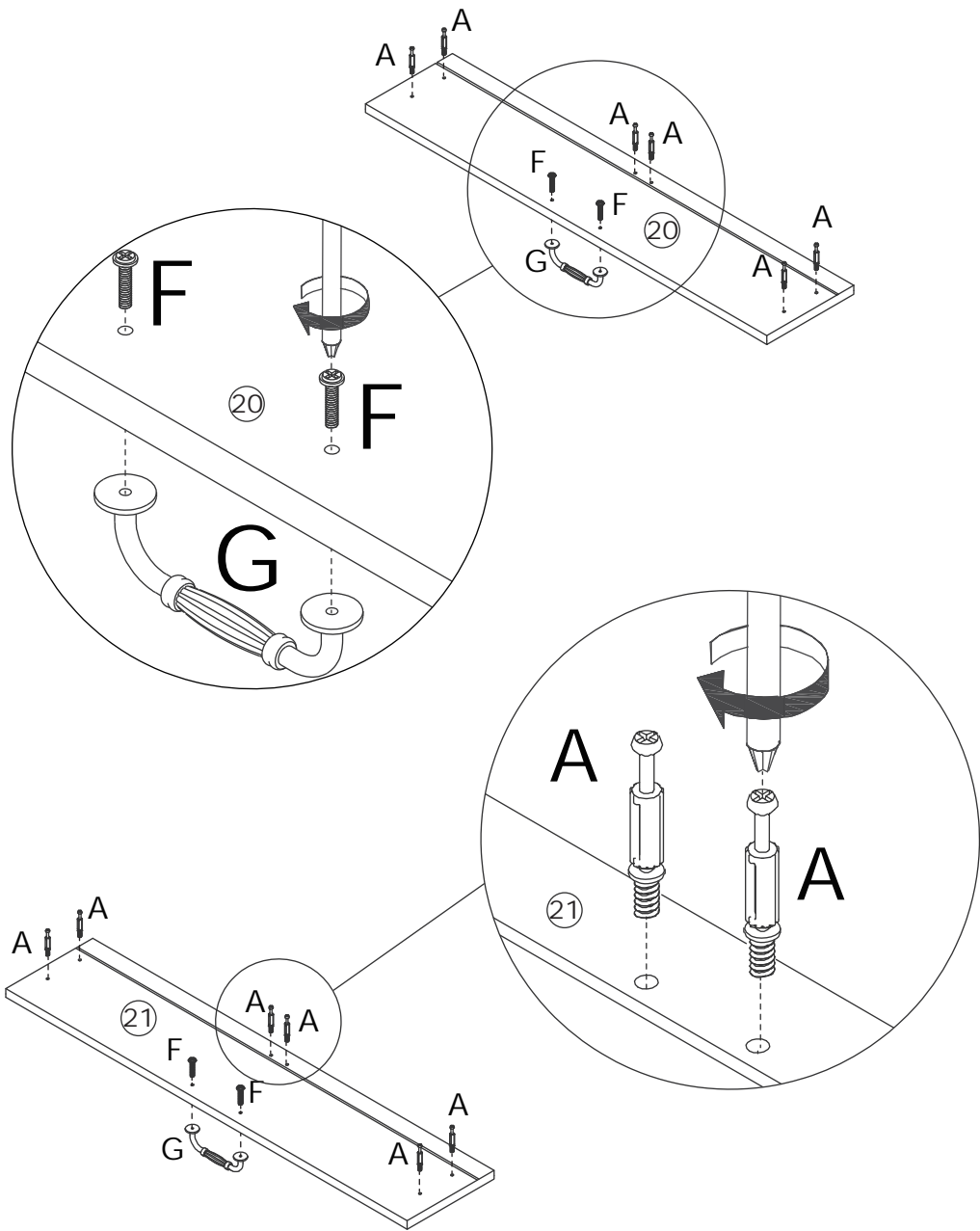
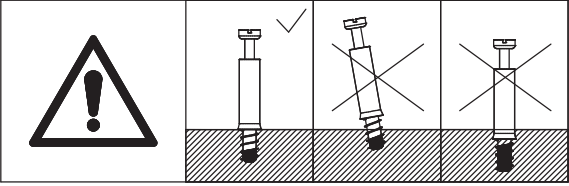




31

<p>A x 12  M5 x 42 mm</p>	<p>F x 4  M4 x 20 mm</p>	<p>G x 2 </p>	
--	---	--	---

Insert quickfit screw(A) into No.20 and 21 plate with a screwdriver as shown.  
Fix handle(G) to them with screw(F) as shown.

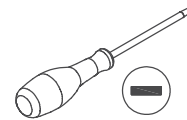


32

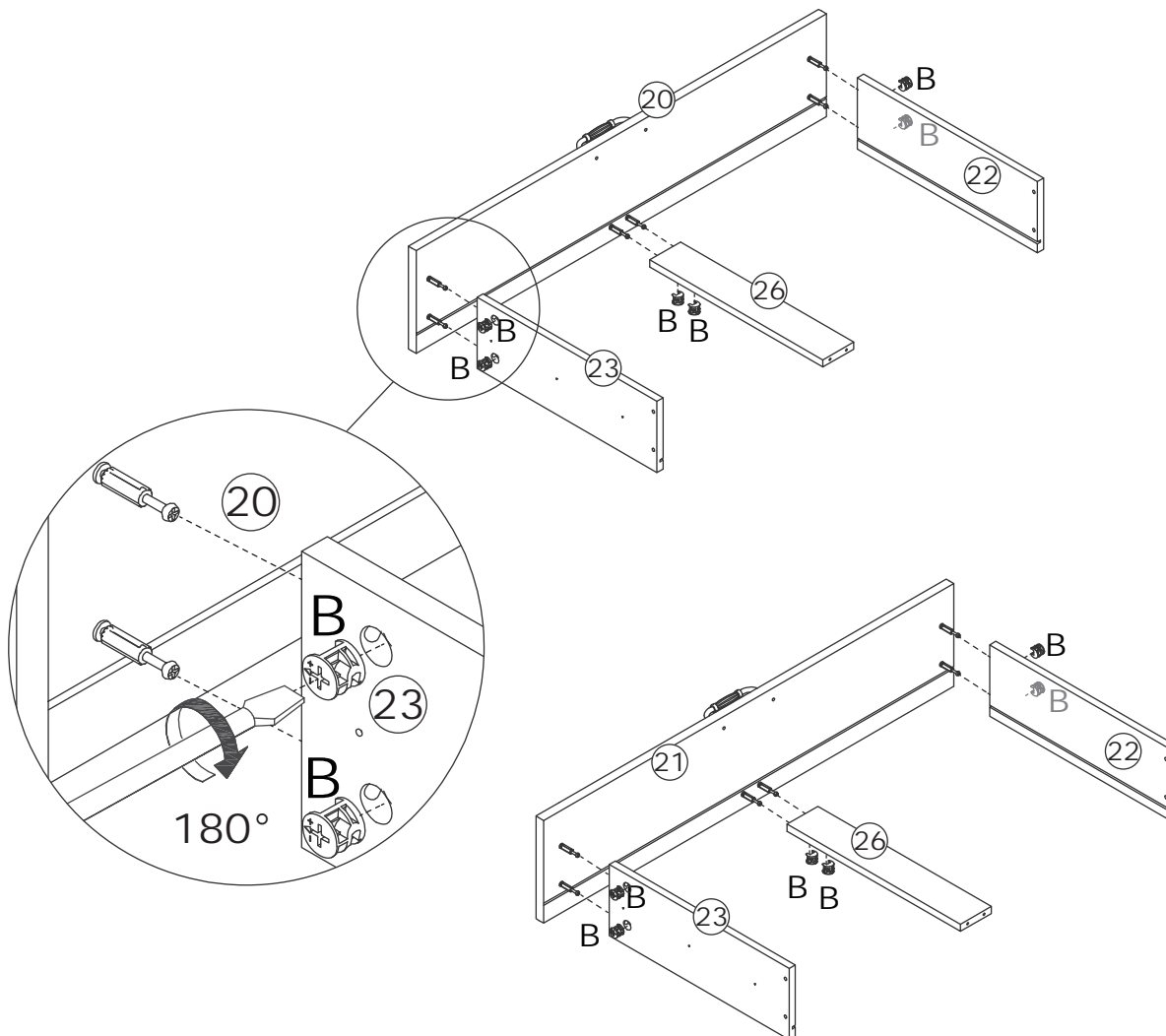
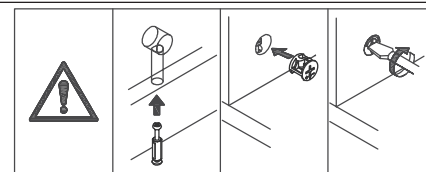
B x 12



Ø15 x 10 mm

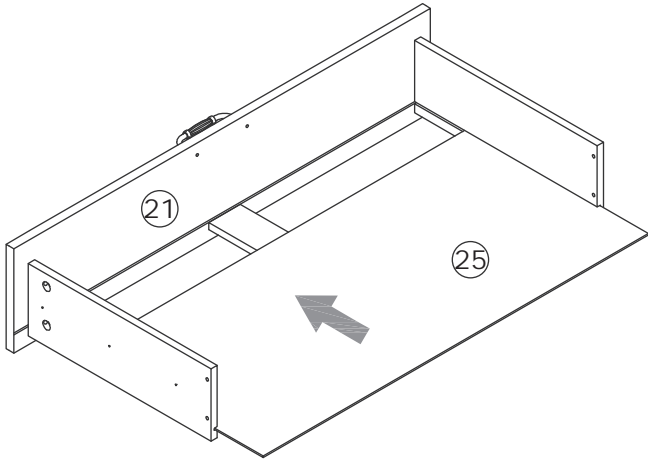
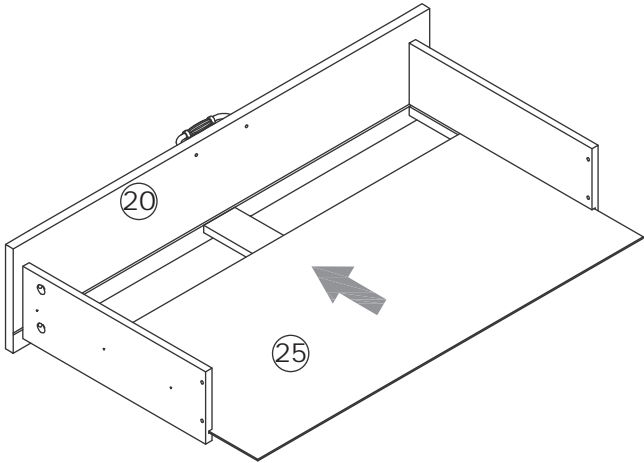


Attach No.22,26,23 plates to No.20 and 21 respectively, turn cam locks(B) clockwise to tighten as shown.

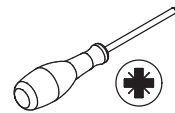
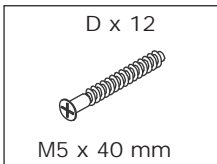


33

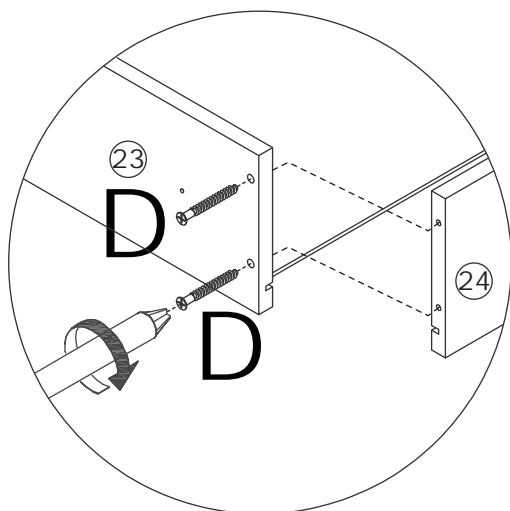
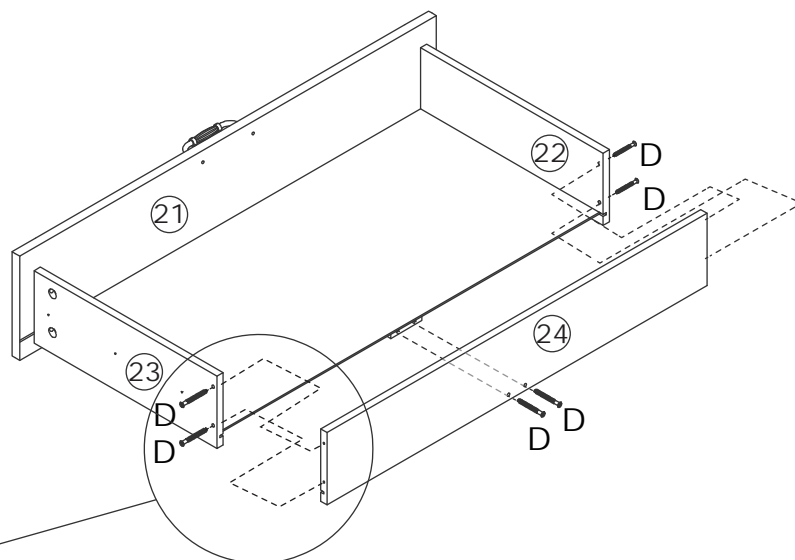
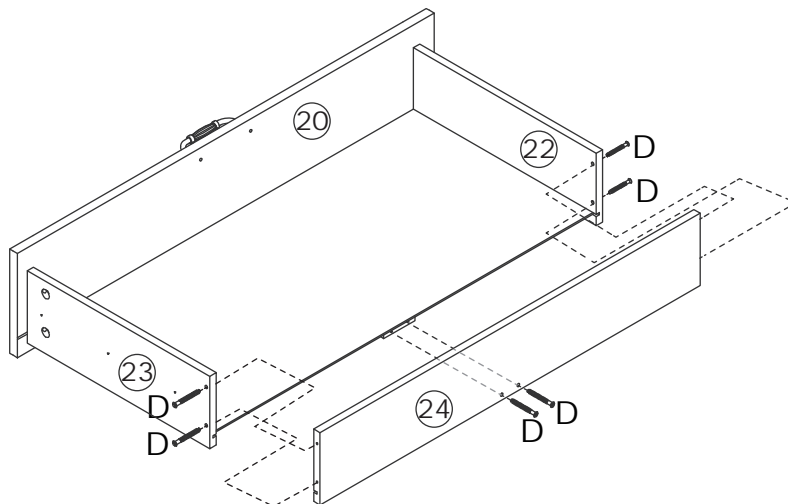
Slide No.25 plate into available slots as shown.



34



Attach No.24 plate to the components with screw(D) as shown.

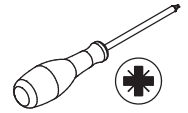


35

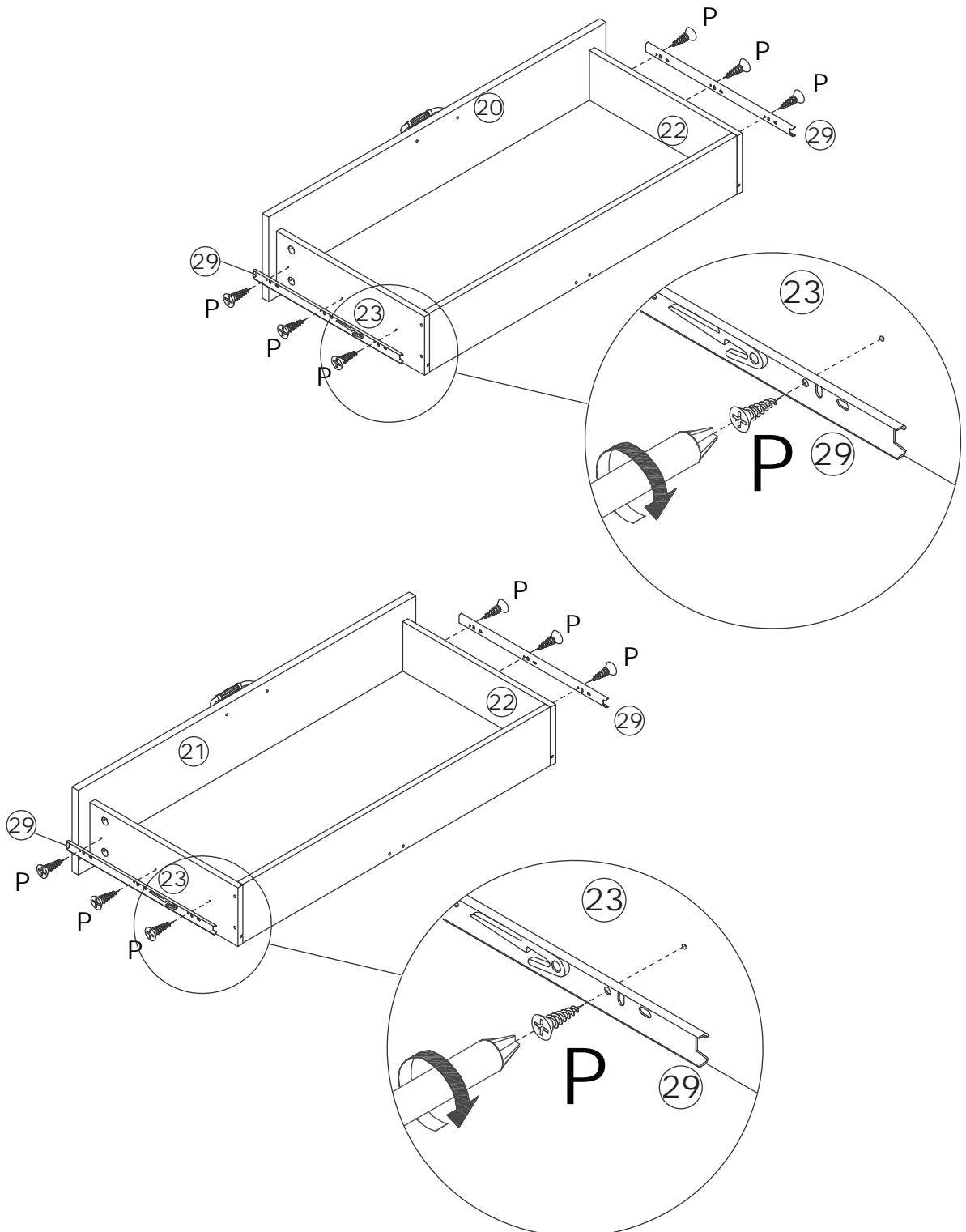
P x 12



M3.5 x 12 mm



Fix runner 29 to No.22 and 23 plate respectively with screw(P) as shown.

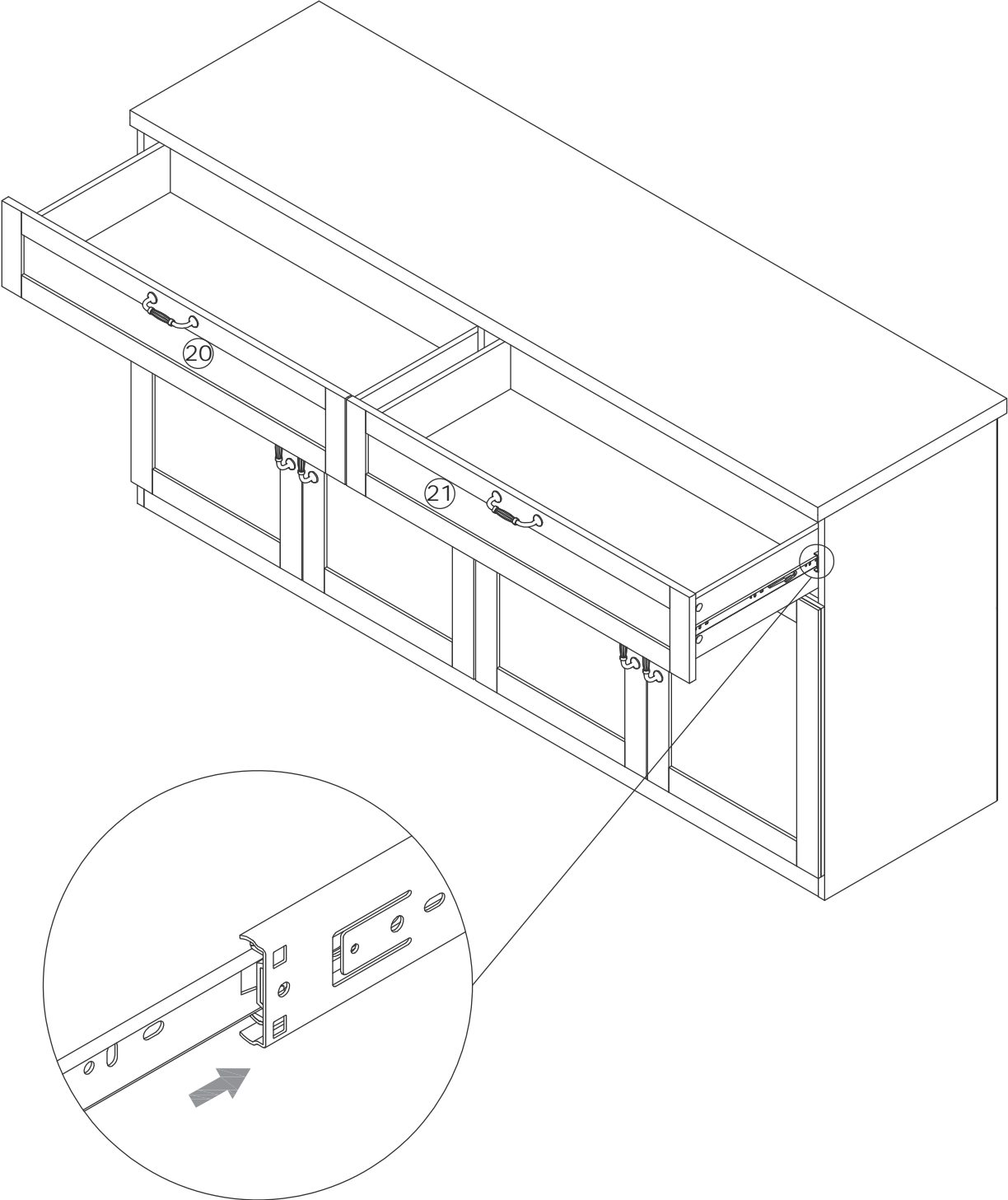


36

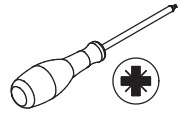
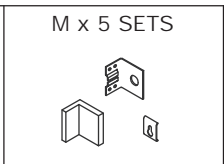
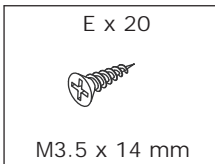
Align rails, slide drawers.

Please don't put the two drawers in a wrong position.

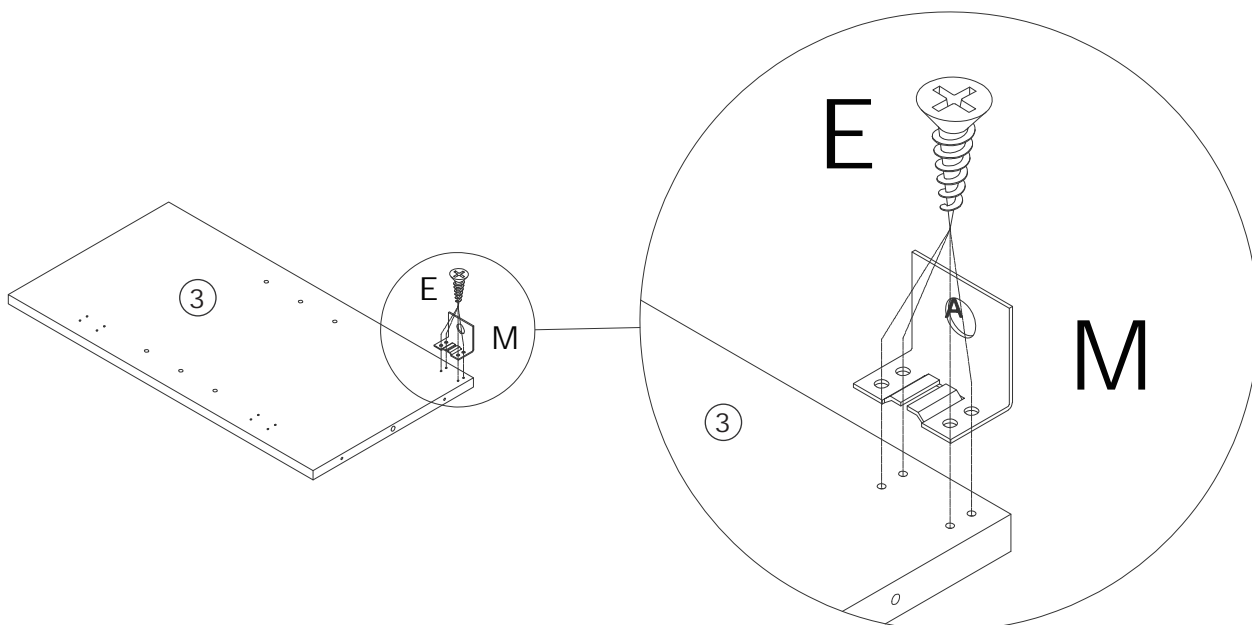
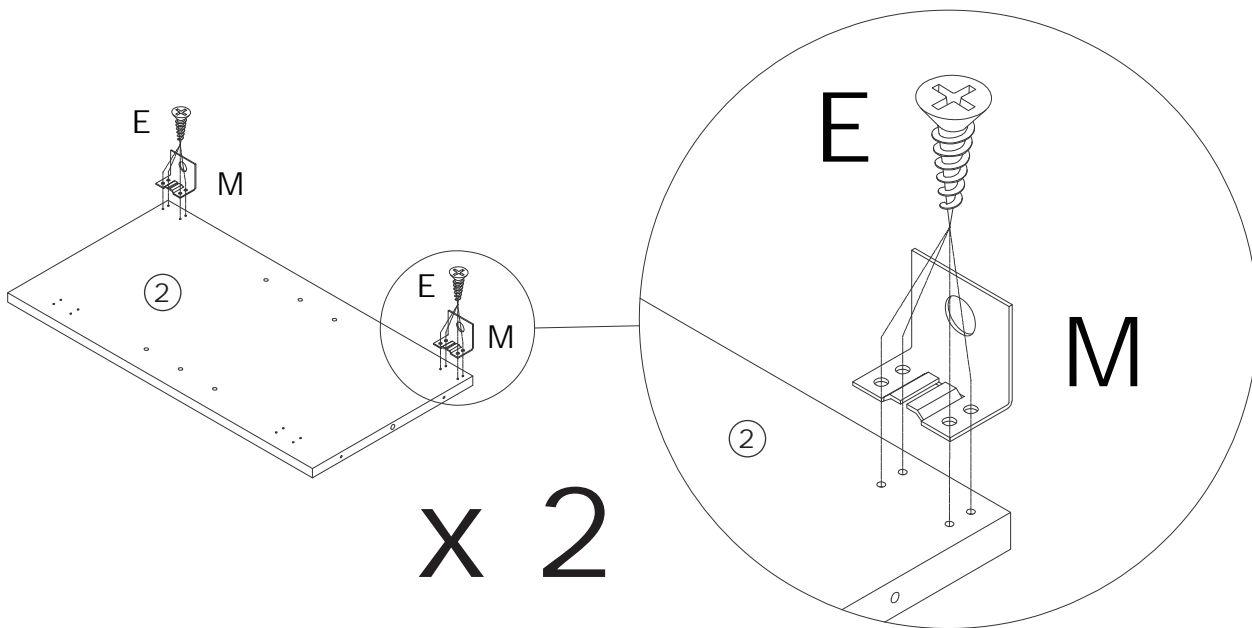
Note: Draw panel 20 is on the left, and draw panel 21 is on the right.



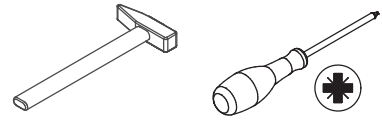
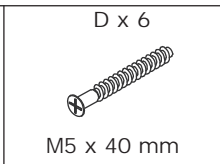
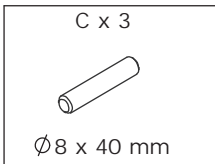
37



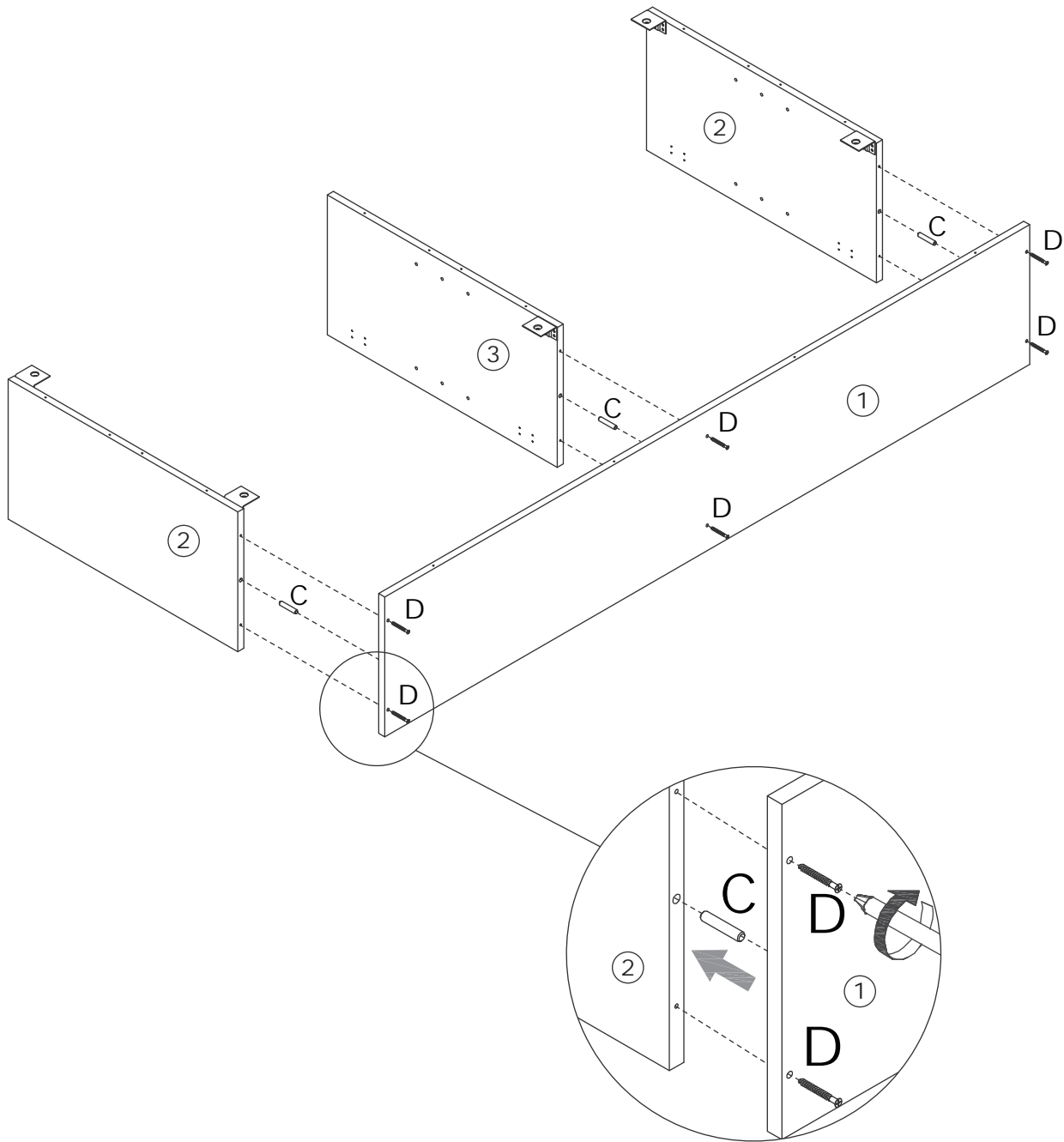
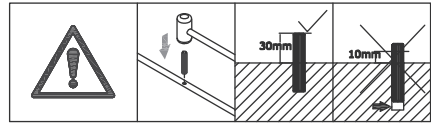
Fix part(M) to No.2, No.3 plate with screw(E) as shown.



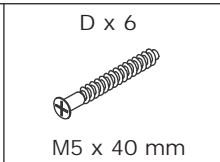
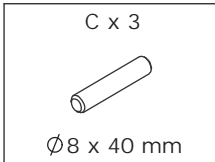
38



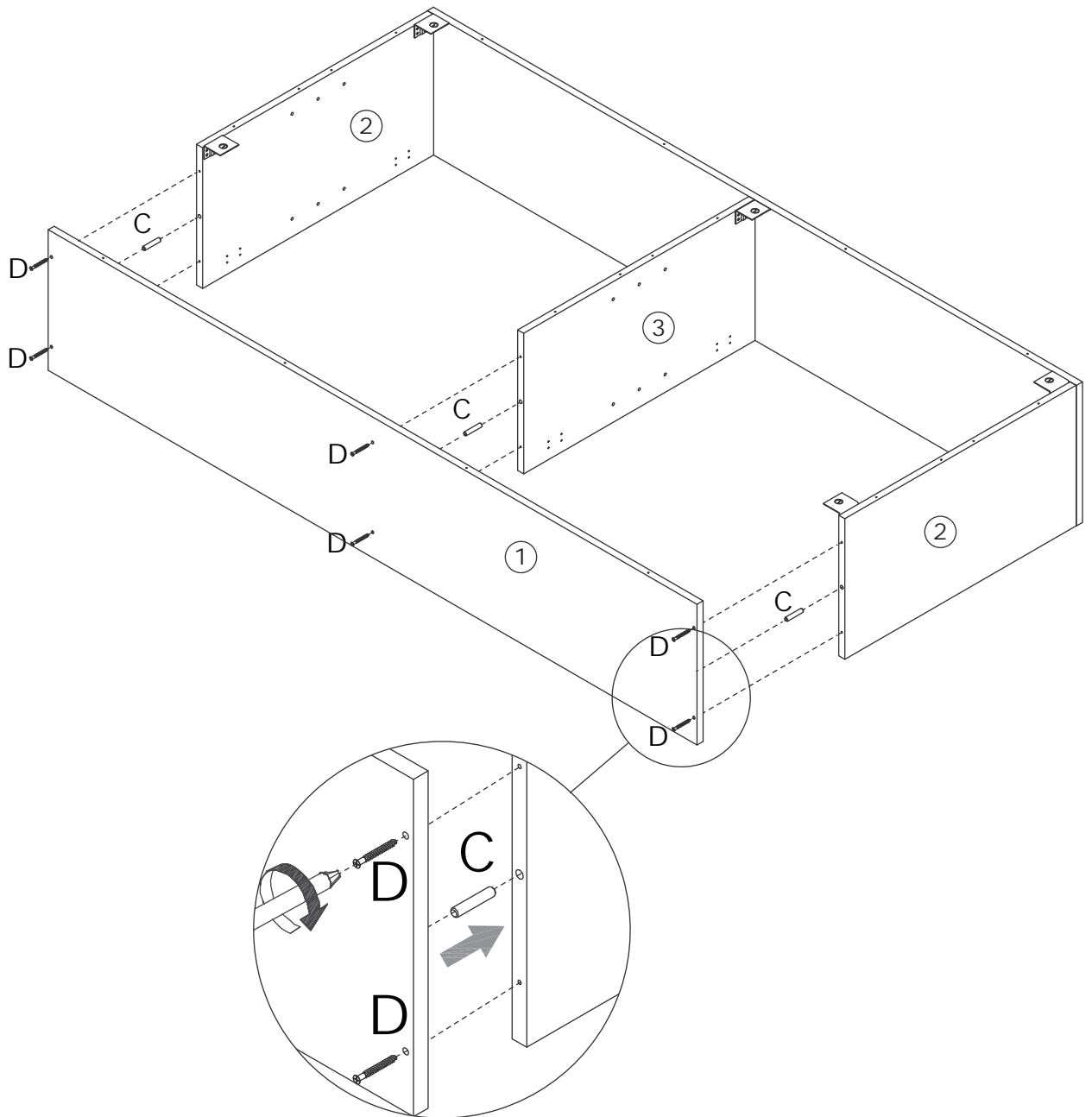
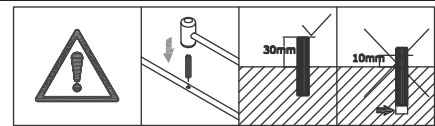
Attach No.2(x2), No.3 plates to No.1 with wooden dowel(C) and fix with screw(D) as shown.



39



Cover another No.1 plate to No.2,3 plates with wooden dowel(C) and fix with screw(D) as shown.

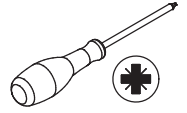


40

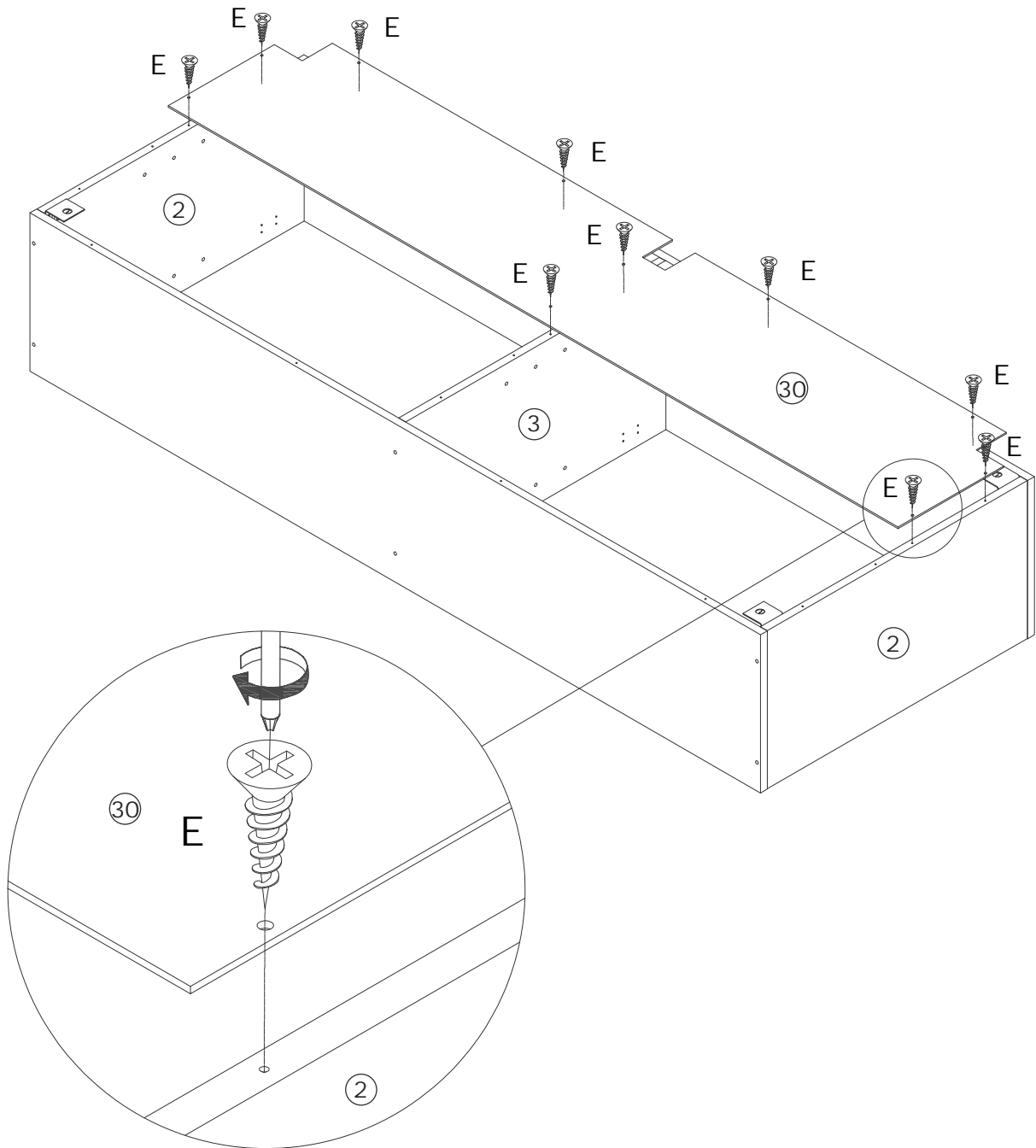
E x 10



M3.5 x 14 mm



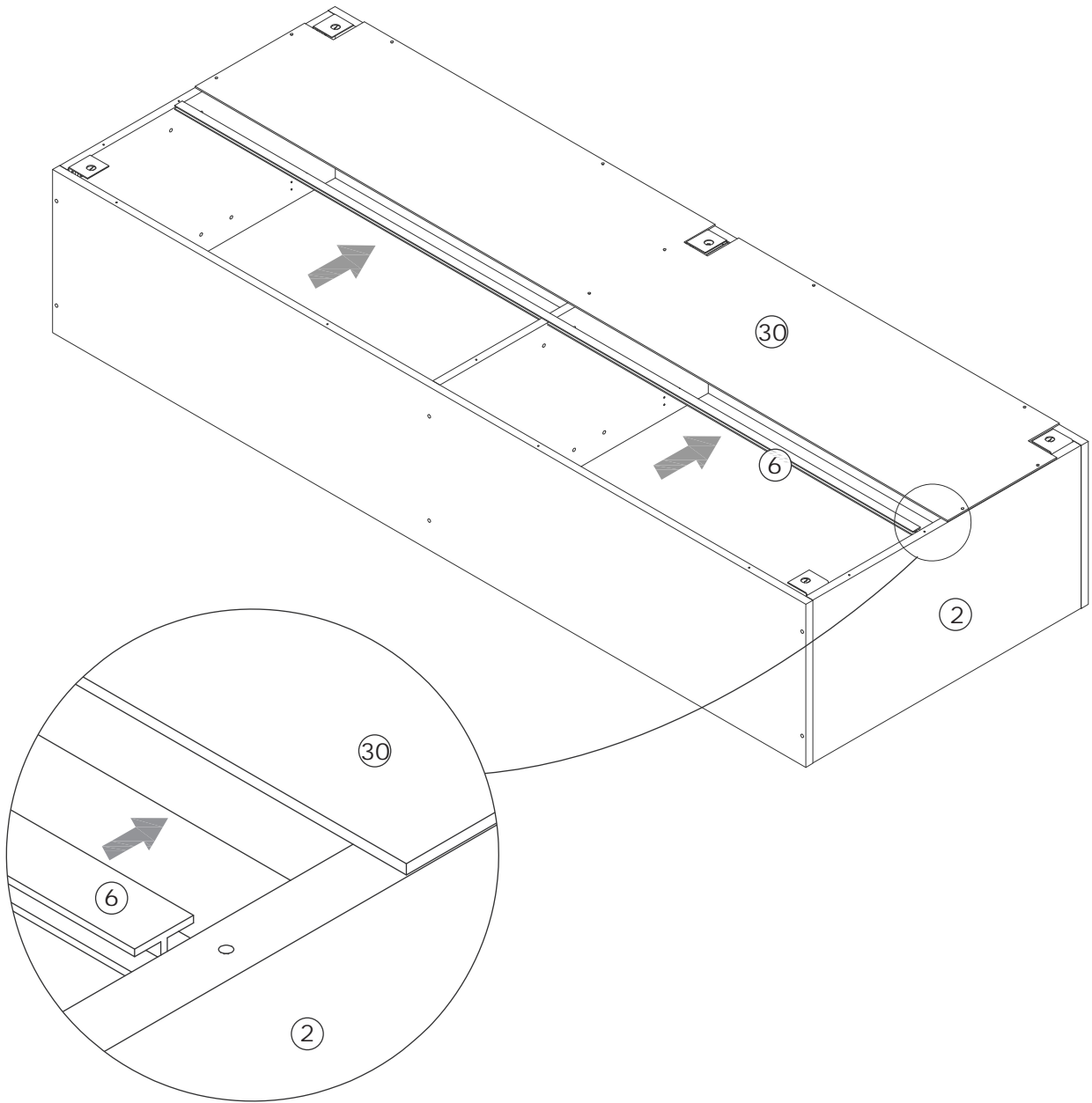
Fix No.30 back plate with screw(E) as shown.



41

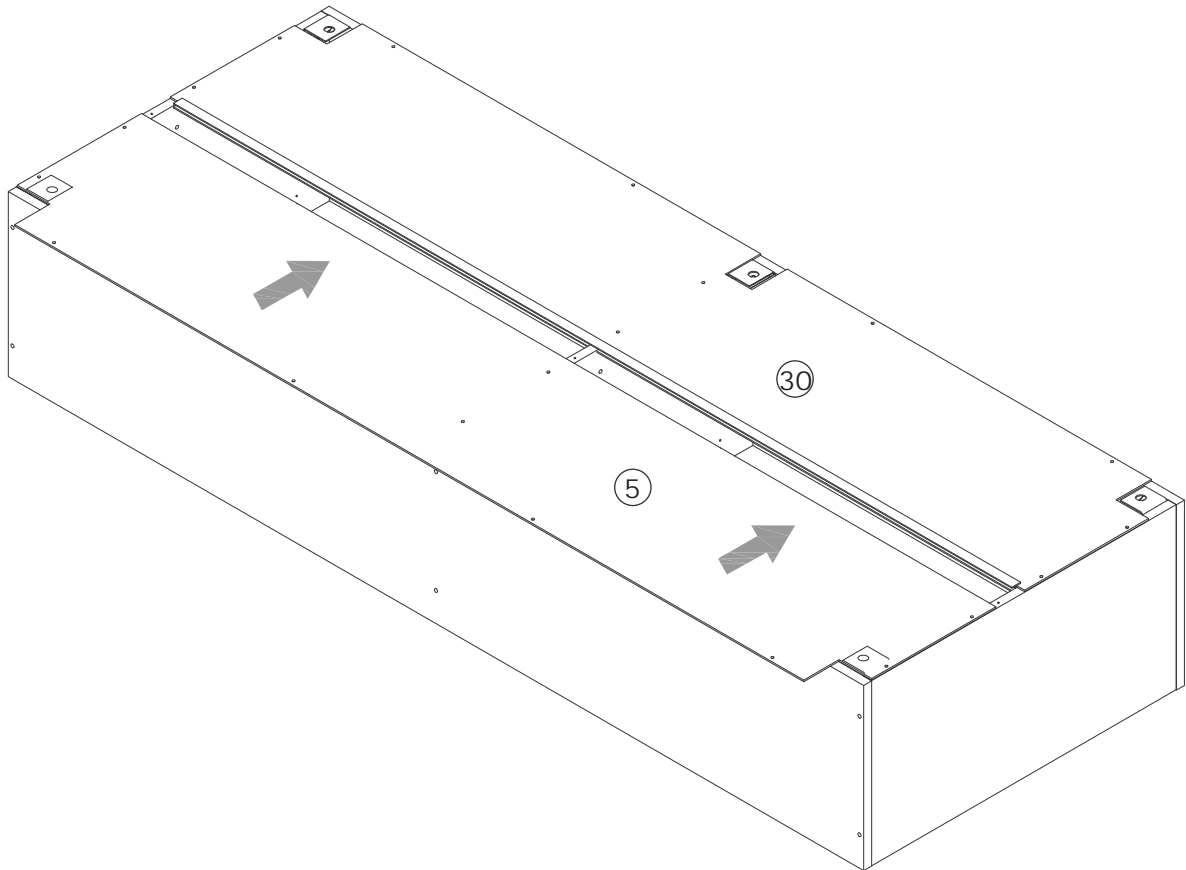


Attach No.6 to No.30 plate.

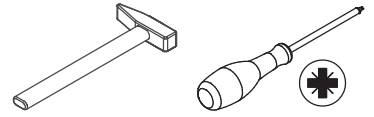
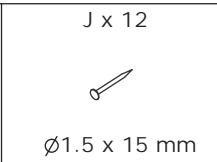
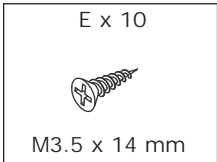


42

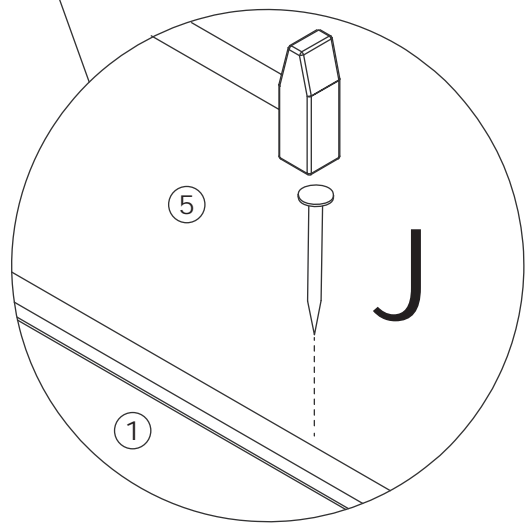
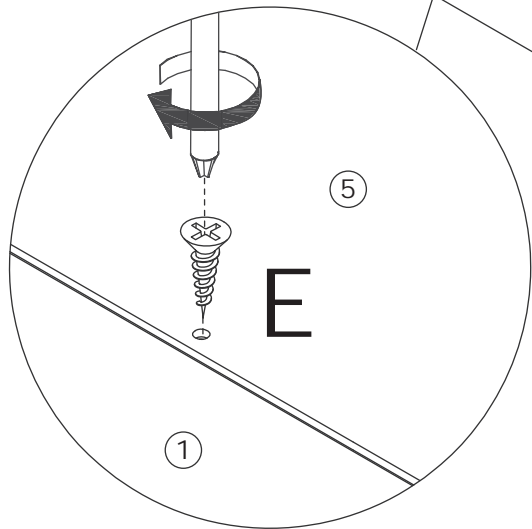
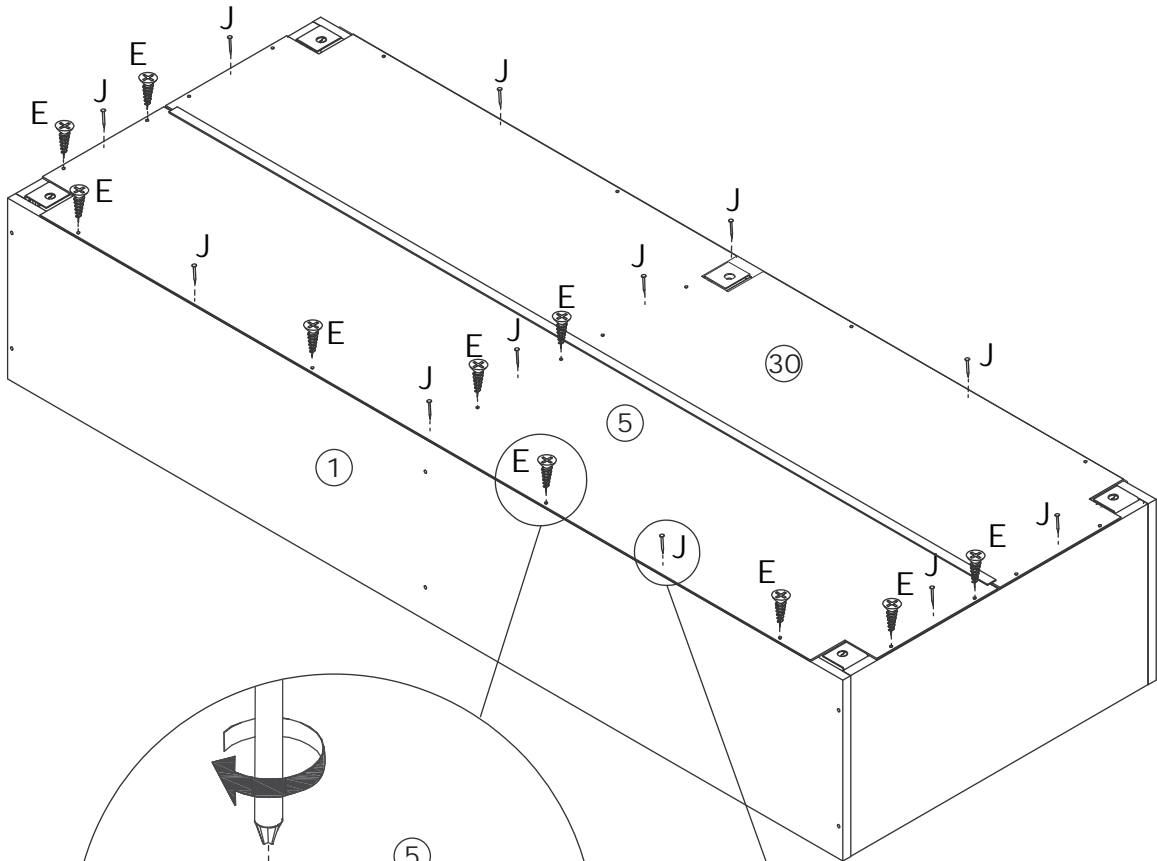
Slide No.5 plate to the groove of No.6 as shown.



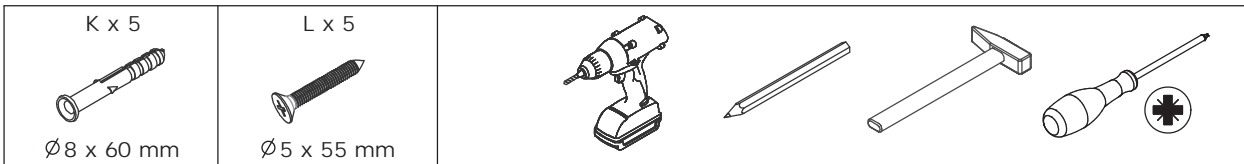
43



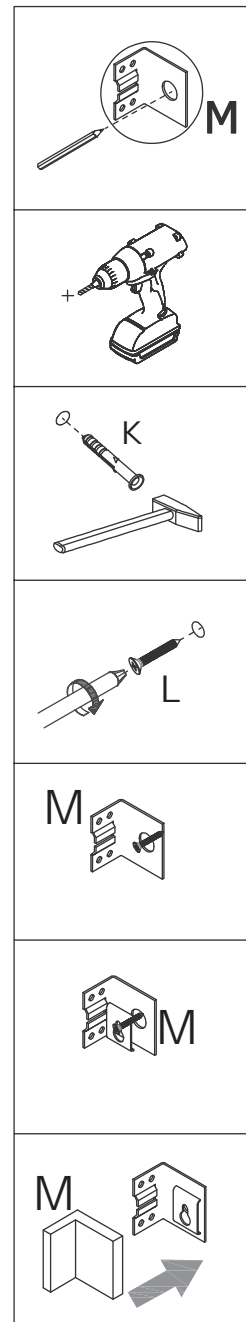
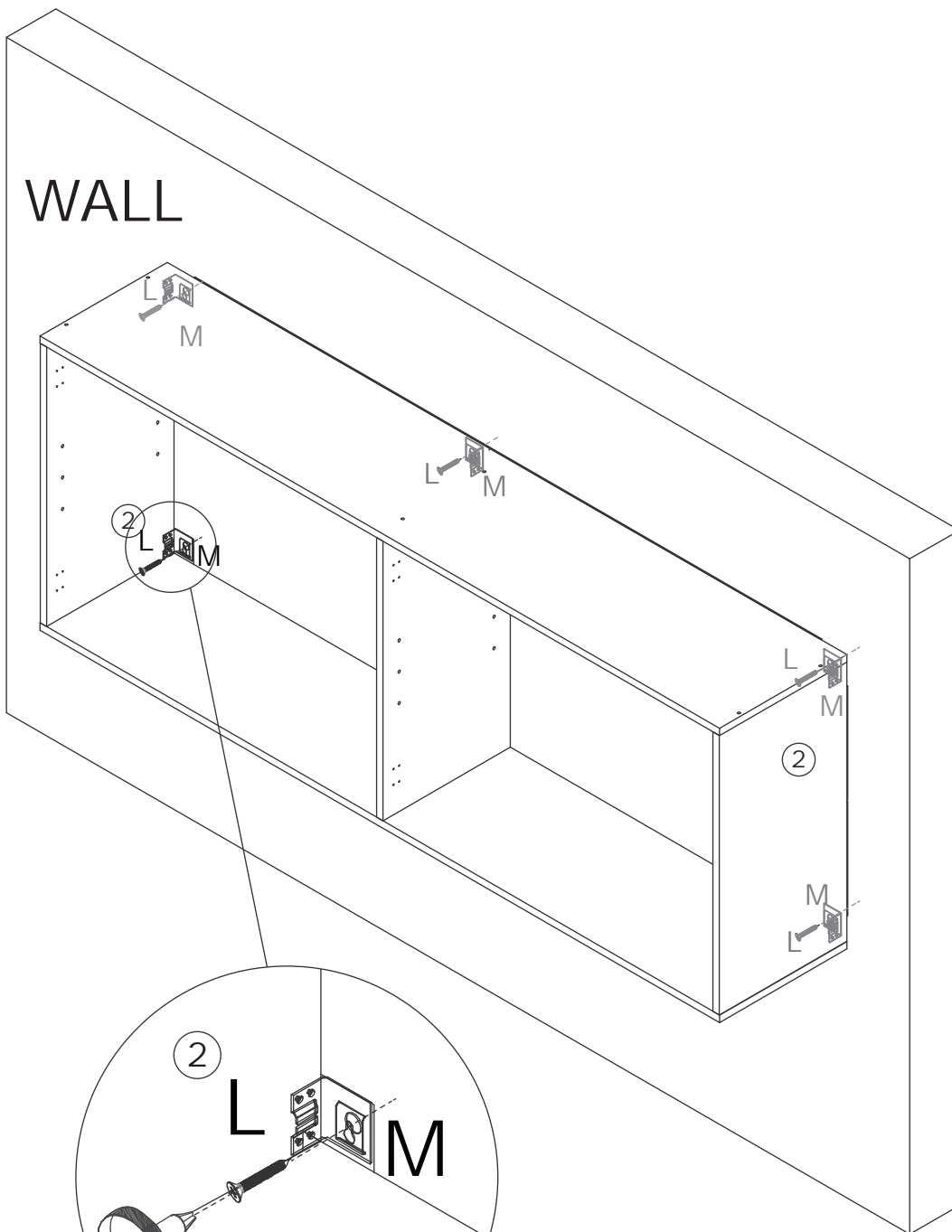
Fix No.5 plate with screw(E) as shown.  
Reinforce the back plate with nail(J) as shown.



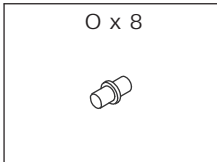
44



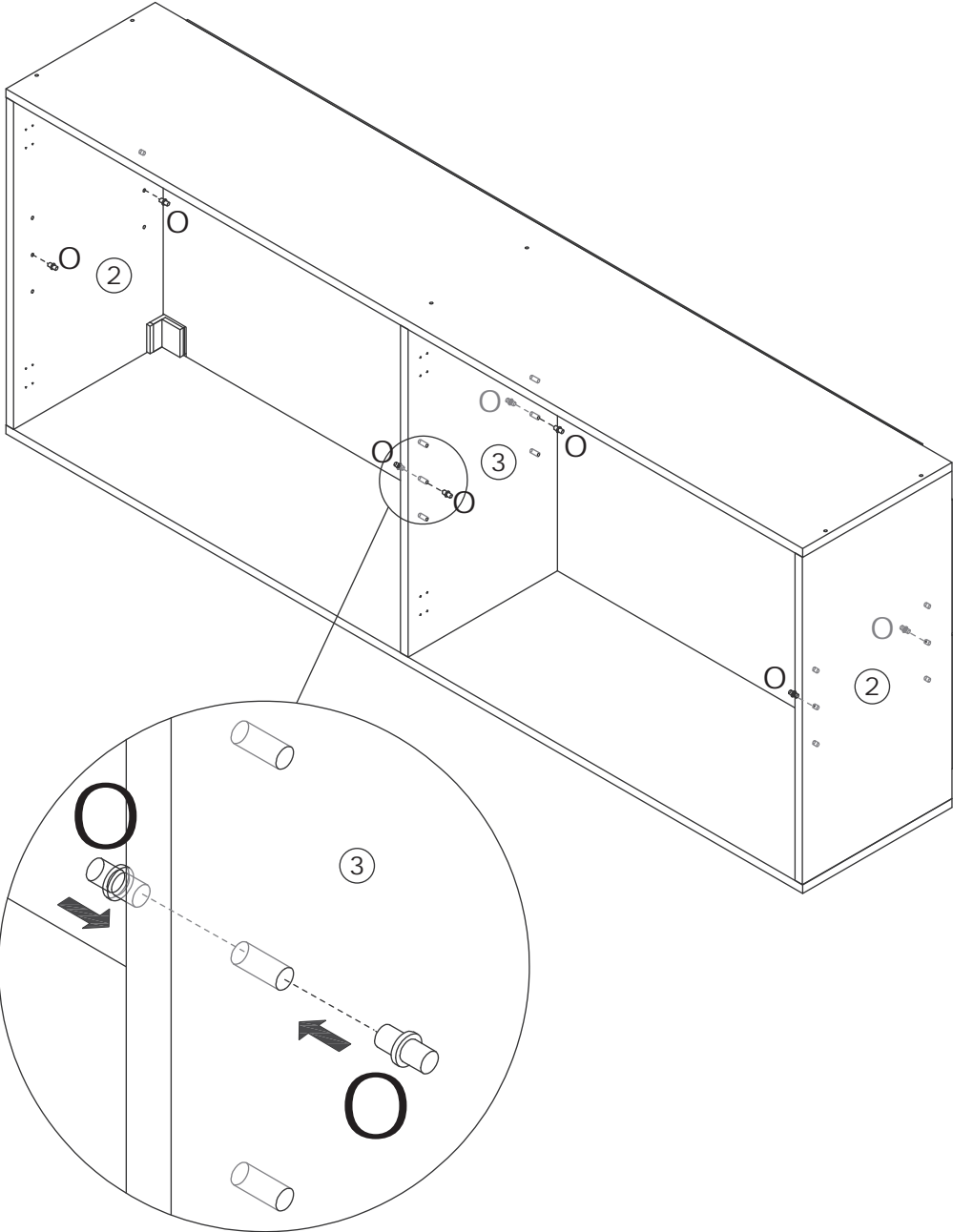
After setting the hole position on the wall, use an electric drill to drill the holes, knock part(K) into the wall, and then fix the cabinet and the wall firmly with screw(L) as shown.



45

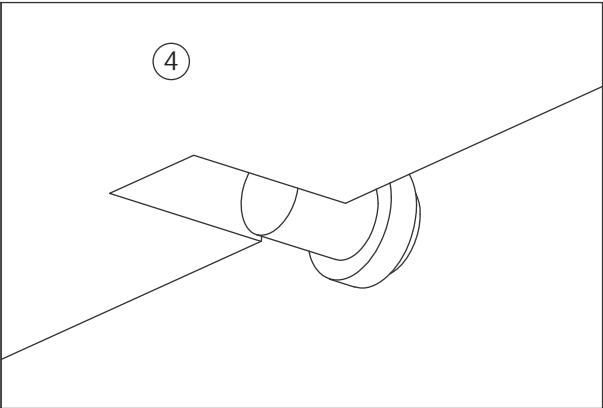
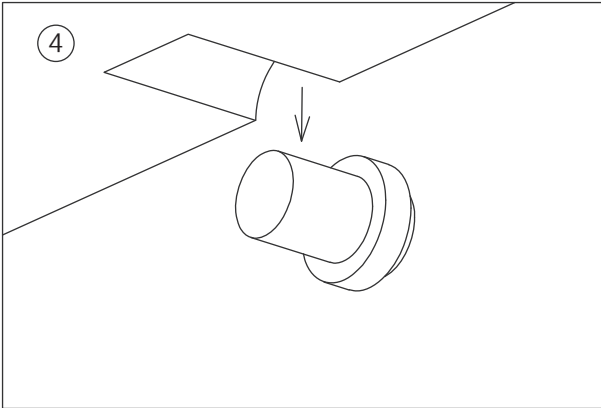
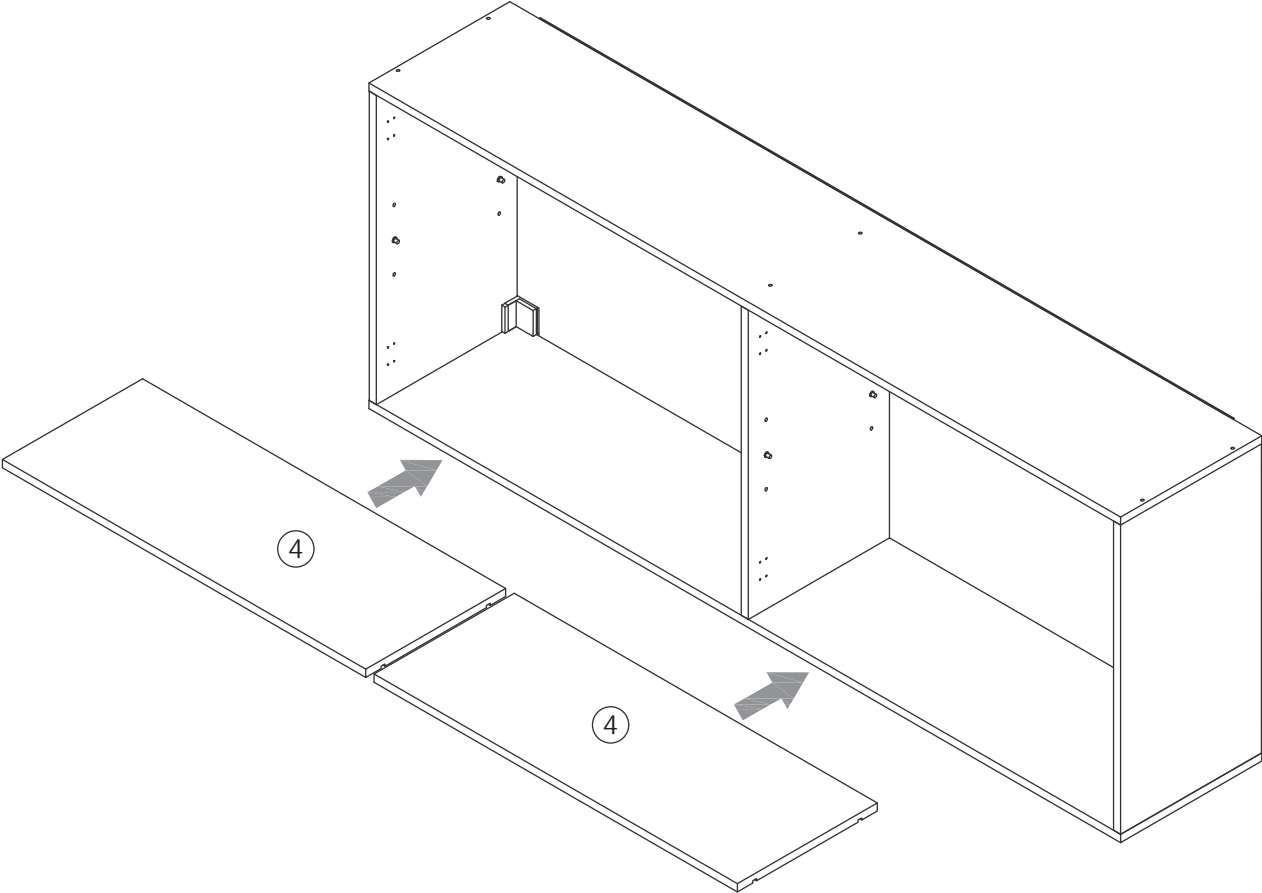


Insert part(O) into No.2,3 plates as shown.

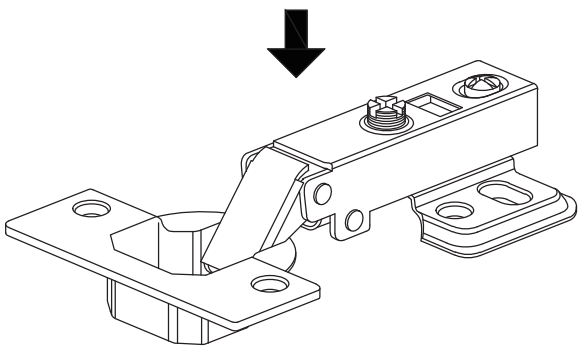


46

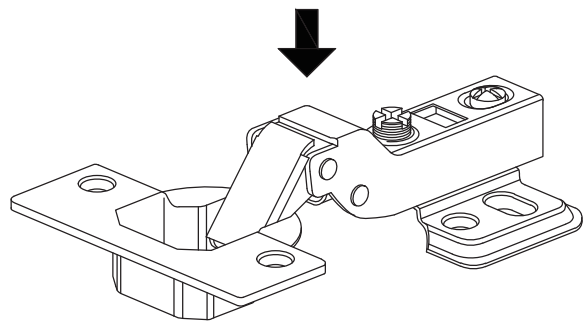
Put No.4 shelf in as shown.



Please note, here are two different types of hinges.  
The full coverage door hinges(I) are used on outermost door panel.  
The curved door hinges(H) are used on the door panel in the middle  
of the cabinet.




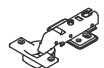
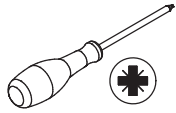
**I**

Full overlay hinge

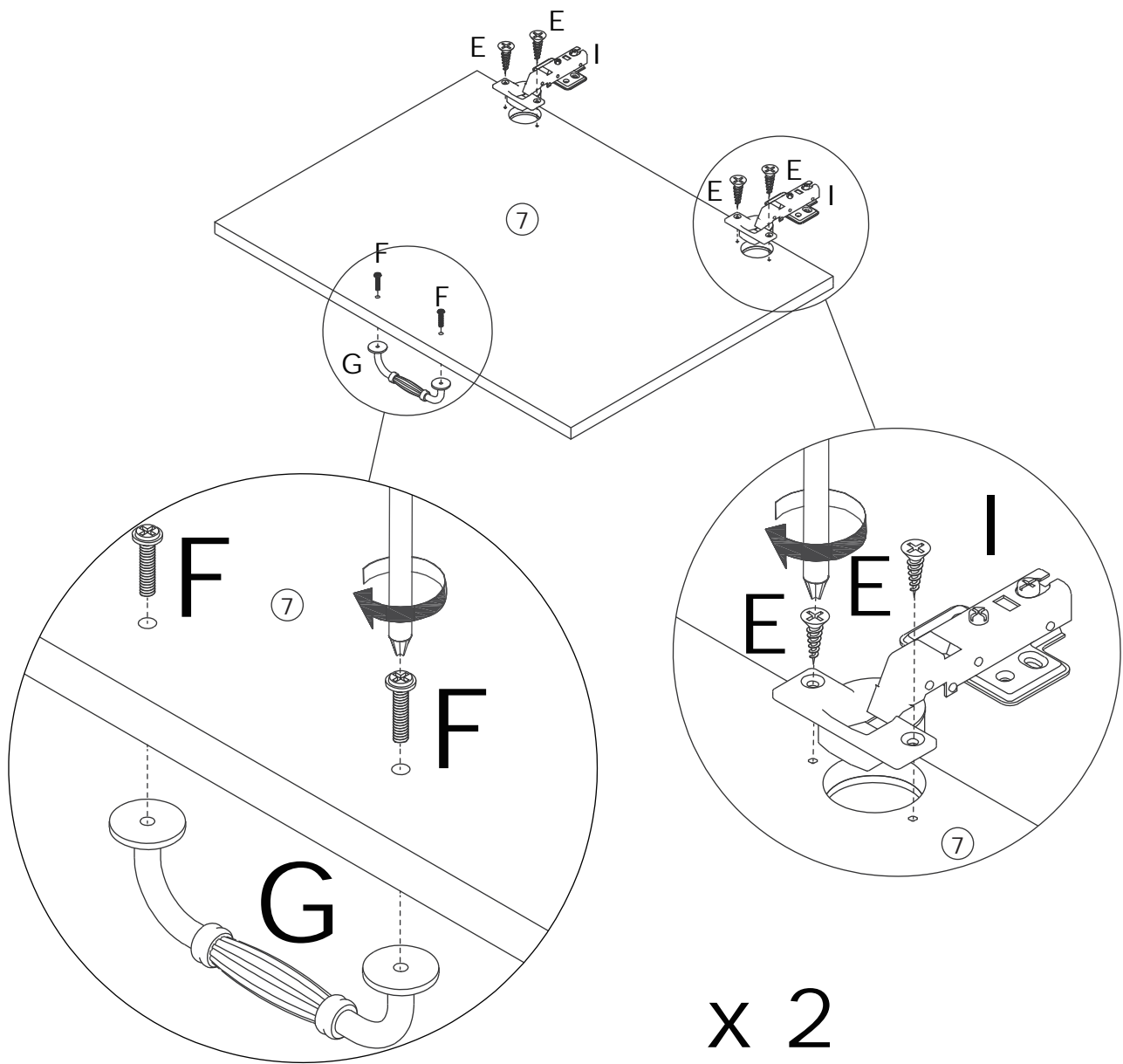
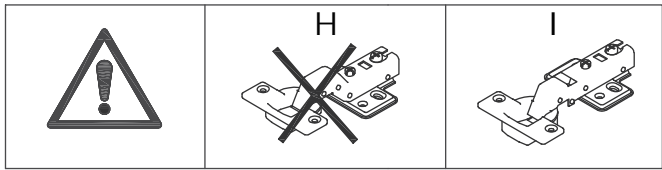
**H**

Half overlay hinge

48

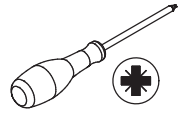
E x 8  M3.5 x 14 mm	F x 4  M4 x 20 mm	G x 2 	I x 2 SETS 	
--	--	--	--	---

Please don't use an electric drill or use force to rotate, may cause crack.  
Fix hinge(I) to No.7 plate with screw(E) as shown.  
Fix handle(G) with screw(F) as shown.

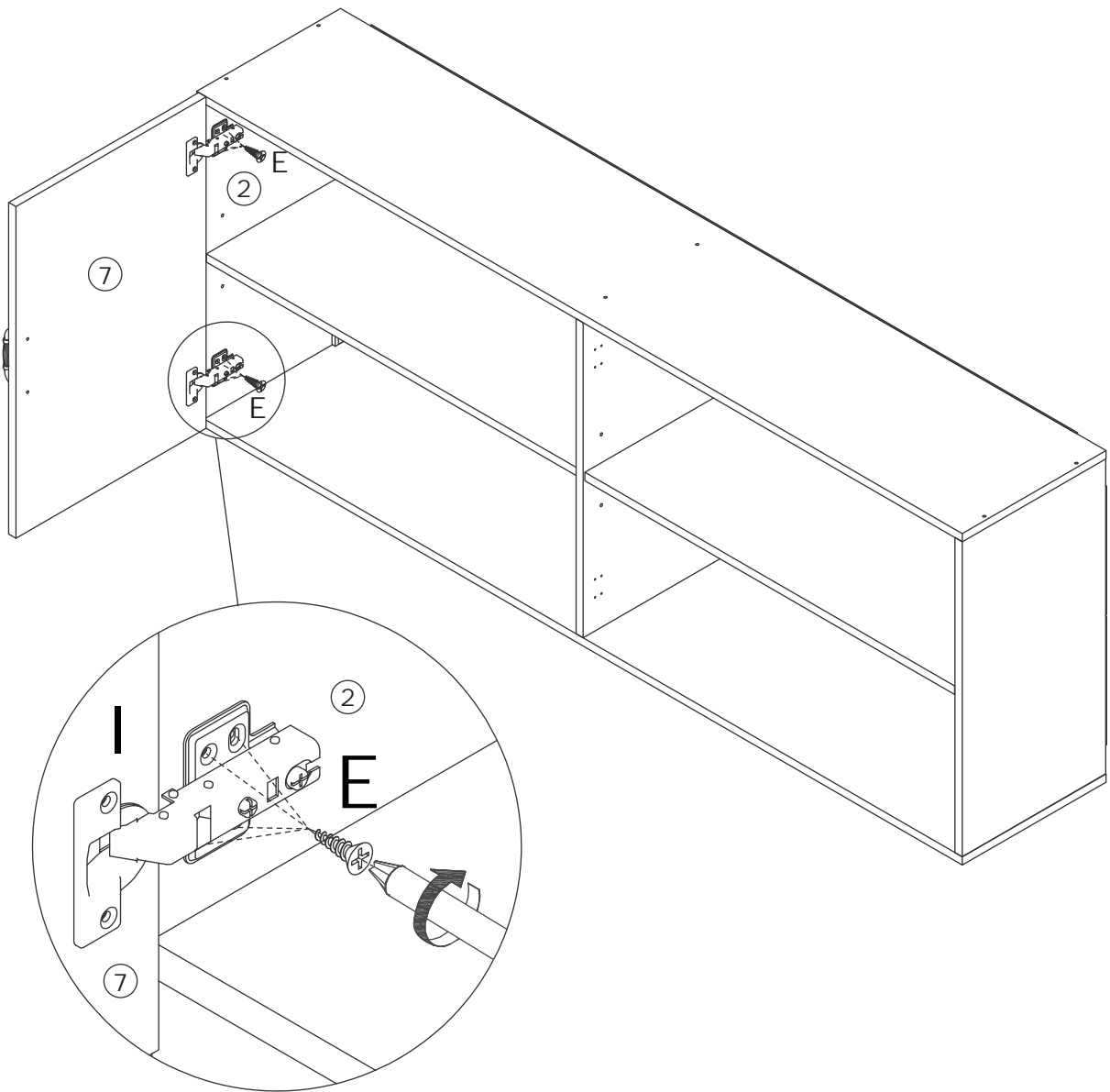
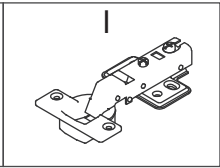
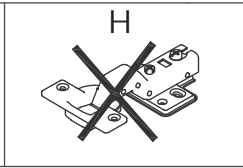


49

E x 8  
M3.5 x 14 mm



Please don't use an electric drill or use force to rotate, may cause crack.  
Attach No.7 plate to No.2 by fixing hinge with screw(E) as shown.

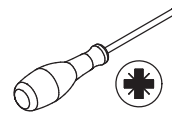


50

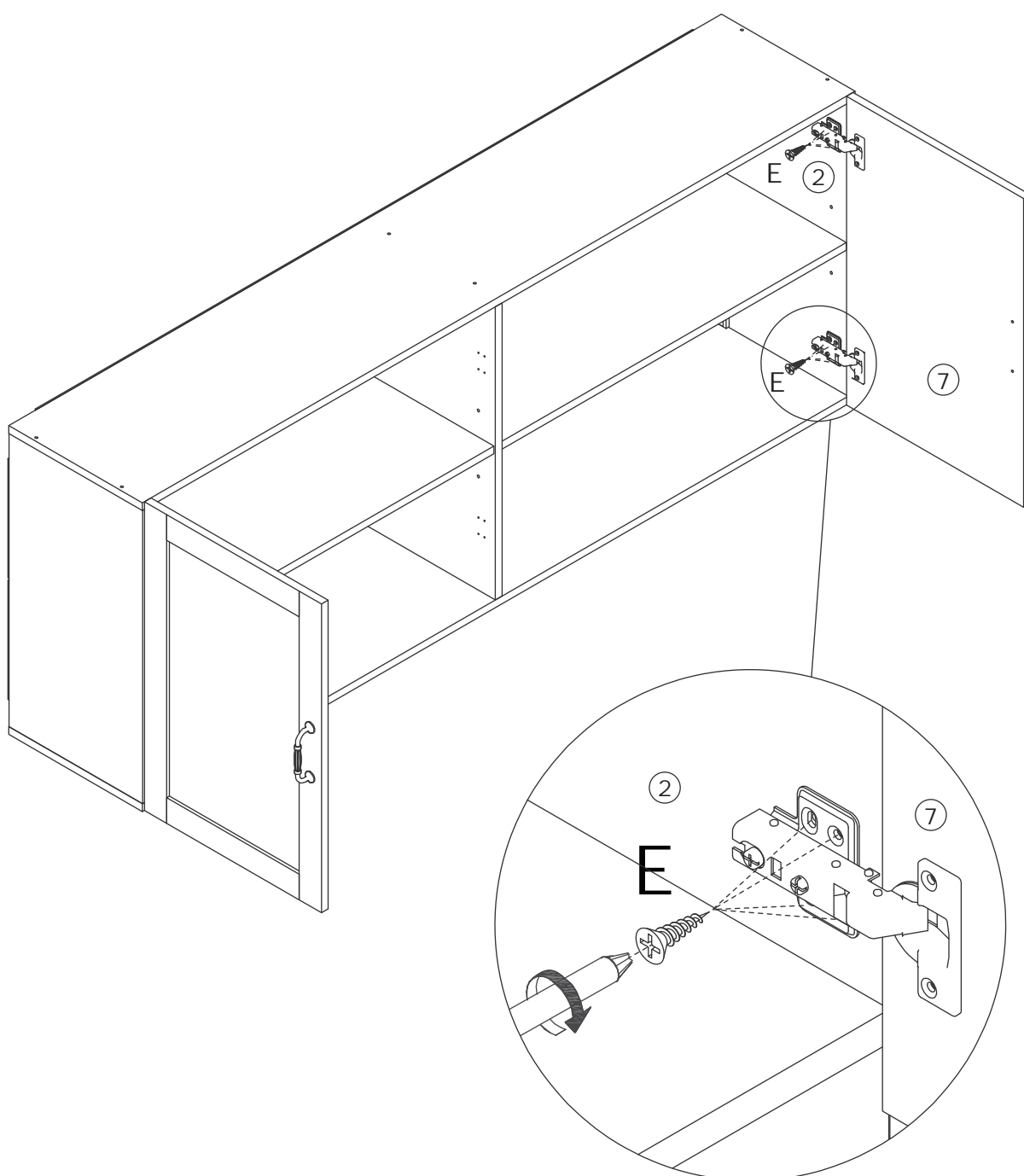
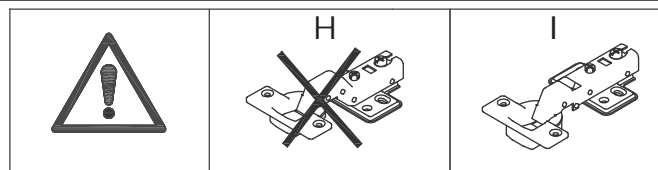
E x 8







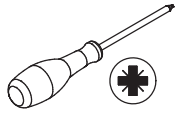
M3.5 x 14 mm



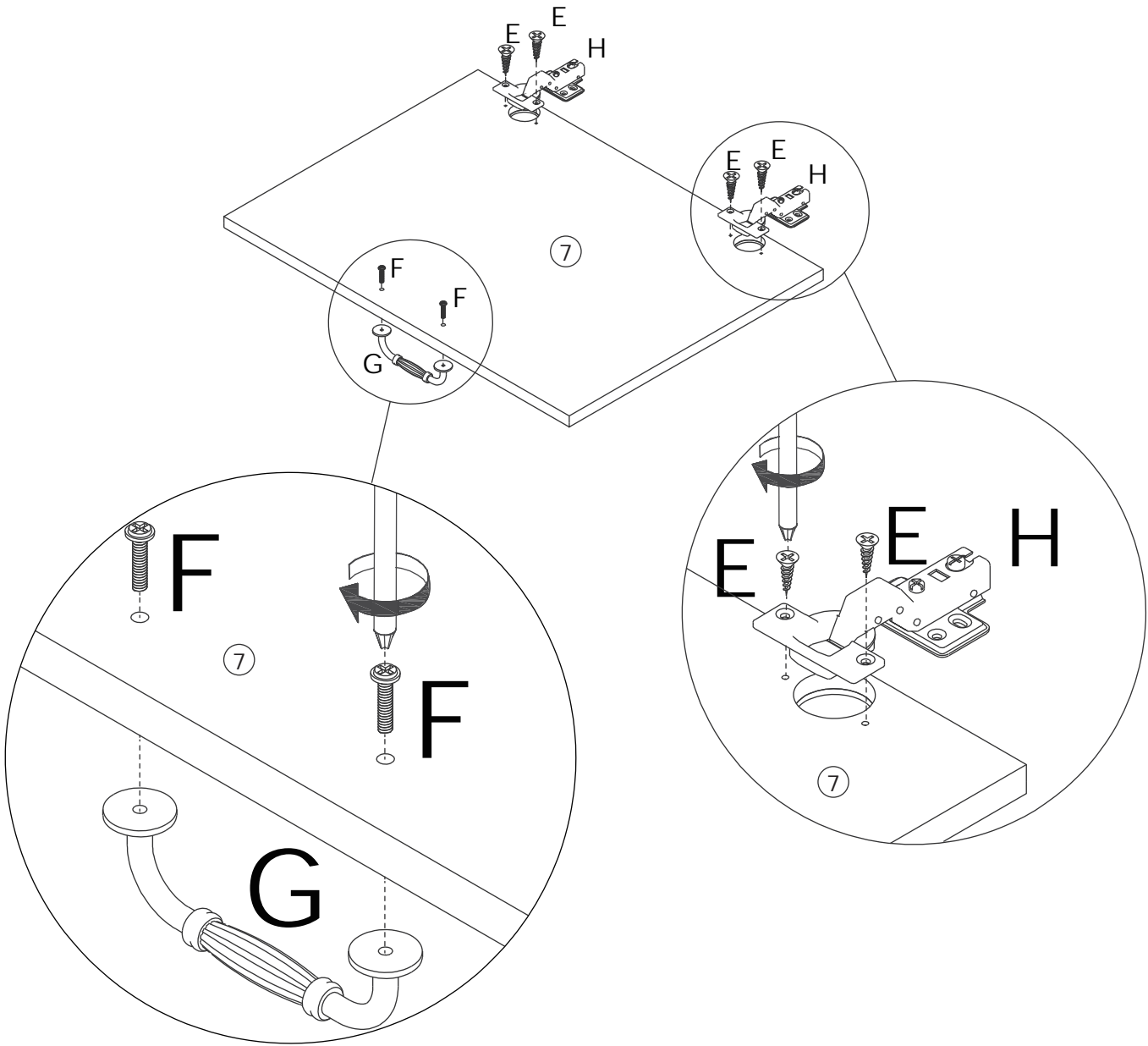
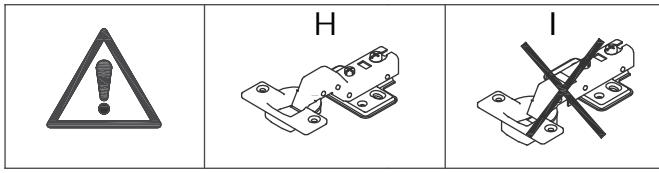
Please don't use an electric drill or use force to rotate, may cause crack.  
Attach another No.7 plate to another No.2 by fixing hinge with screw(E) as shown.



51

E x 4  M3.5 x 14 mm	F x 2  M4 x 20 mm	G x 1 	H x 1 SETS 	
--	--	--	--	---

Please don't use an electric drill or use force to rotate, may cause crack.  
Fix hinge(H) to No.7 plate with screw(E) as shown.  
Fix handle(G) with screw(F) as shown.

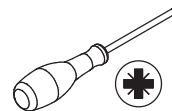


52

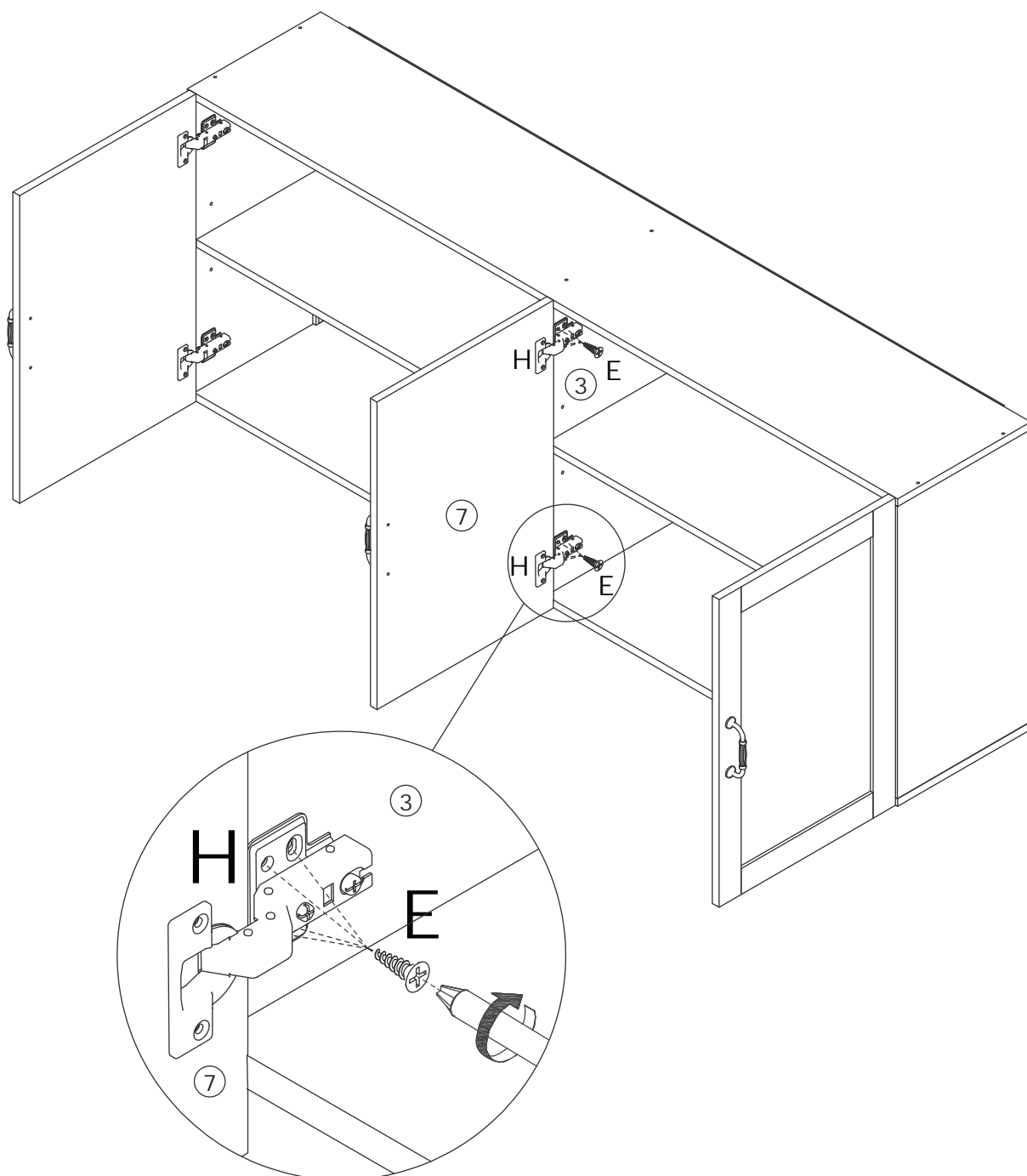
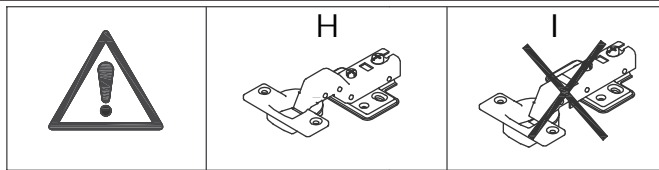
E x 8







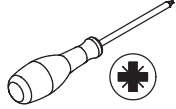
M3.5 x 14 mm



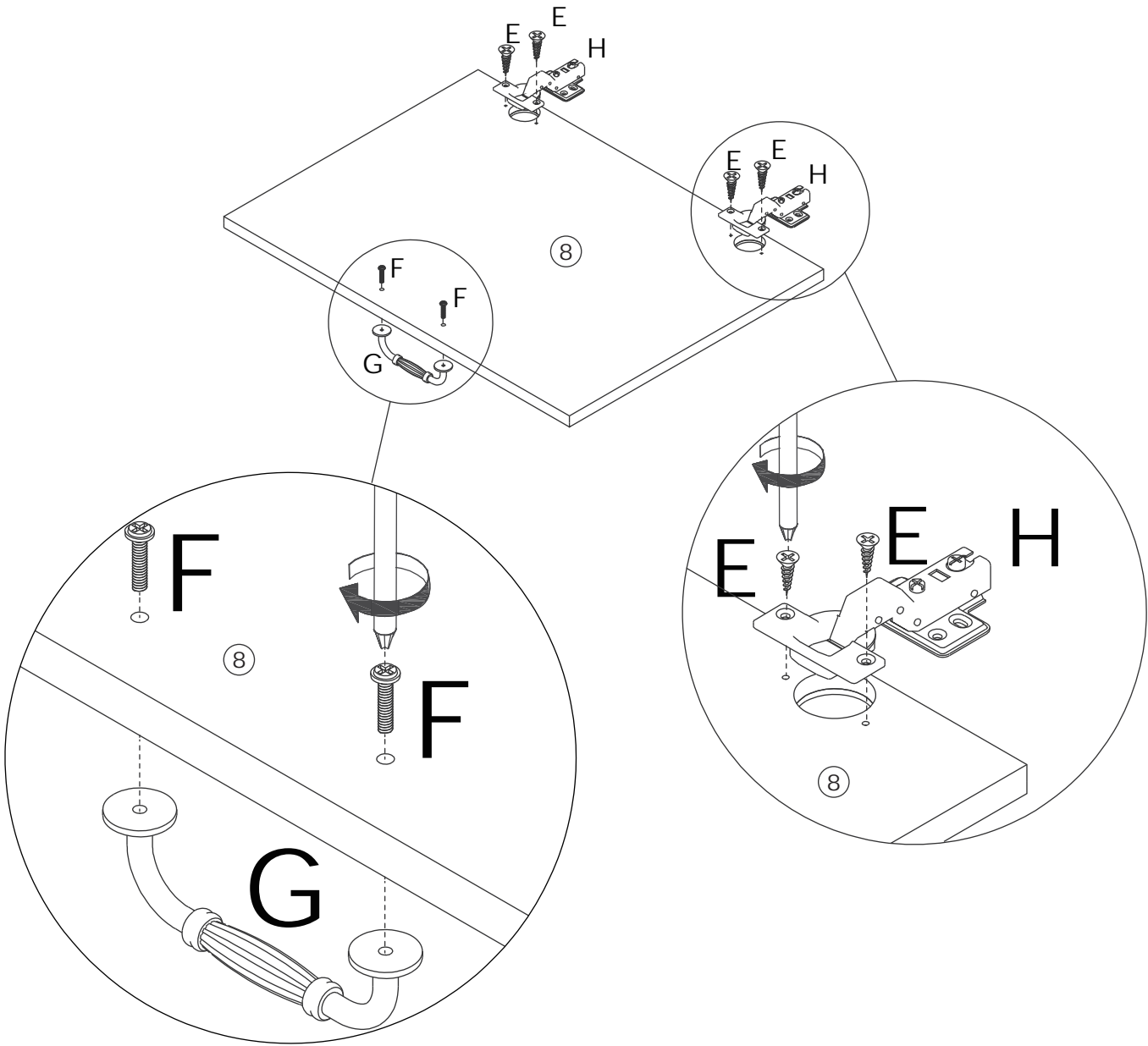
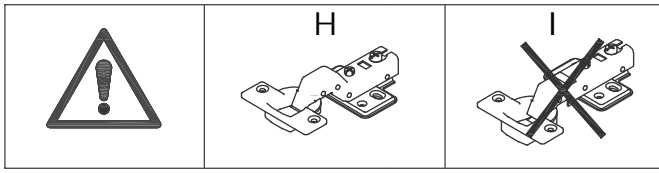
Please don't use an electric drill or use force to rotate, may cause crack. Attach No.7 plate to No.3 by fixing hinge(H) with screw(E) as shown.



53

E x 4  M3.5 x 14 mm	F x 2  M4 x 20 mm	G x 1 	H x 1 SETS 	
--	--	--	--	---

Please don't use an electric drill or use force to rotate, may cause crack.  
Fix hinge(H) to No.8 plate with screw(E) as shown.  
Fix handle(G) with screw(F) as shown.

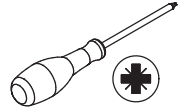


54

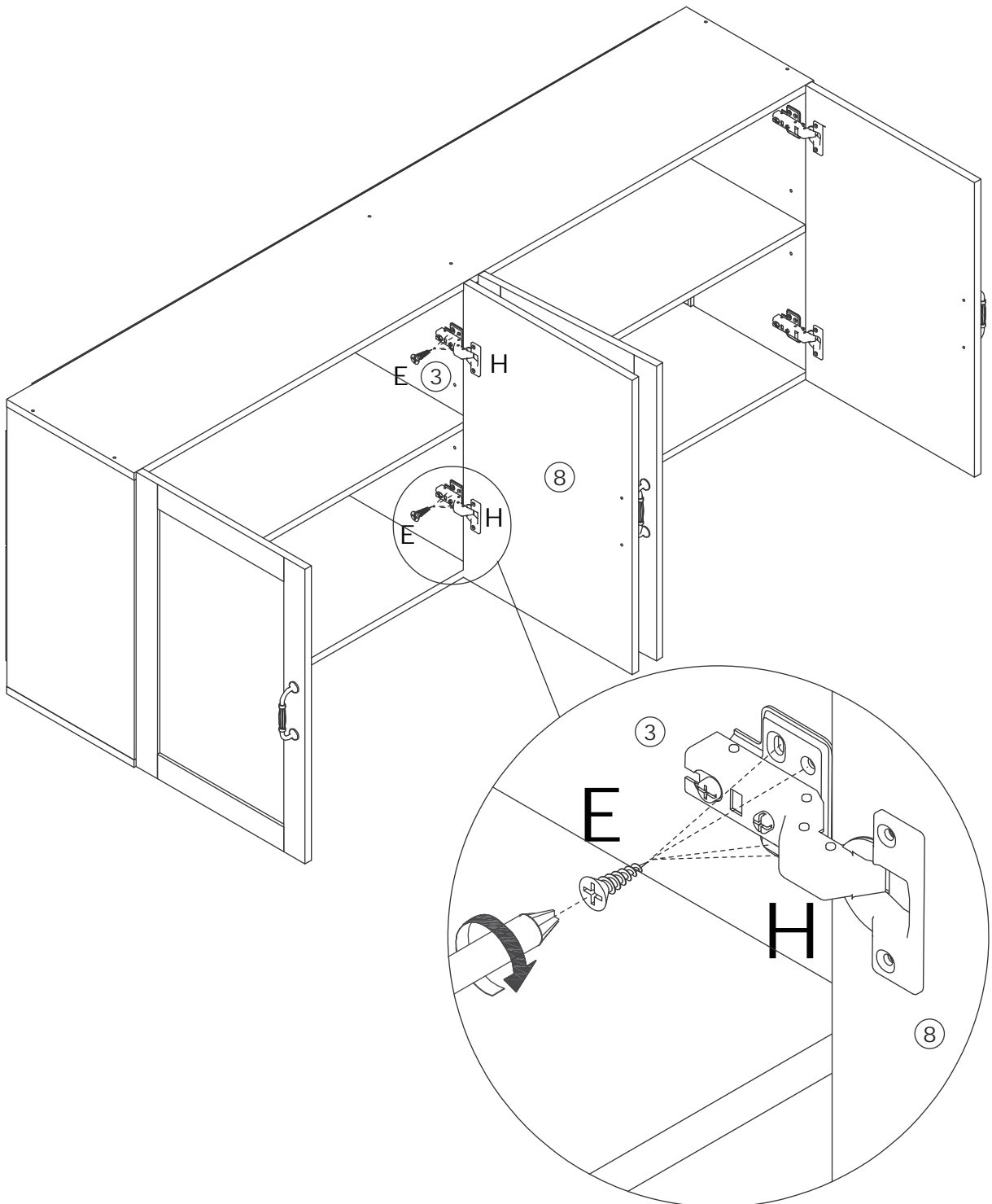
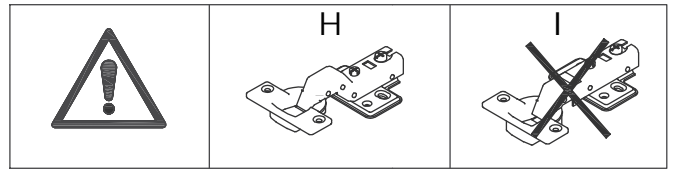
E x 8

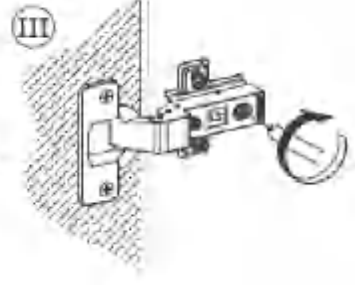
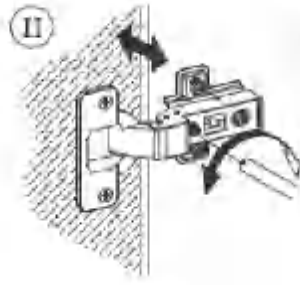
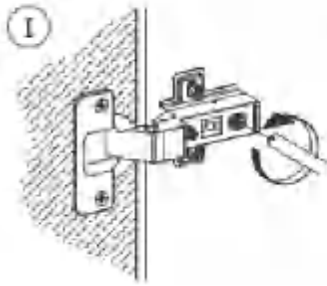
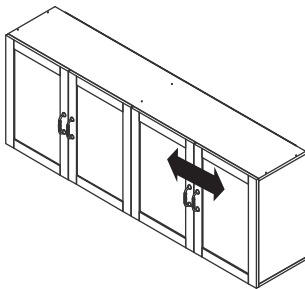
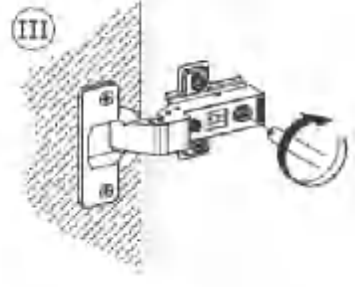
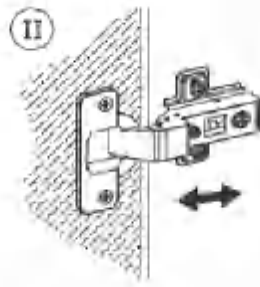
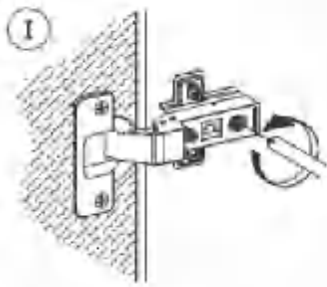
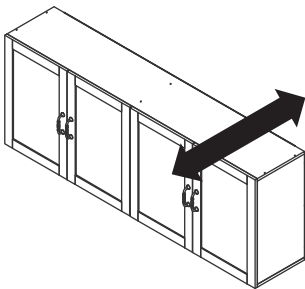
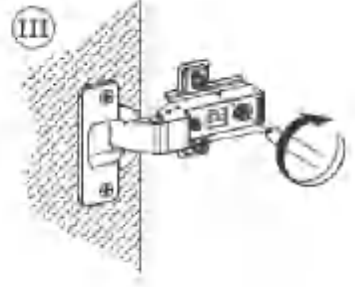
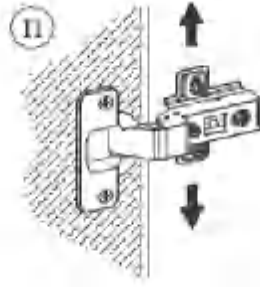
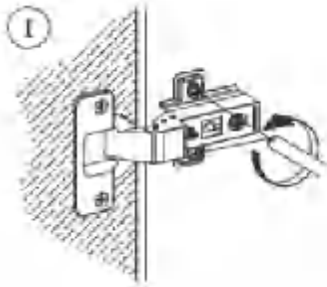
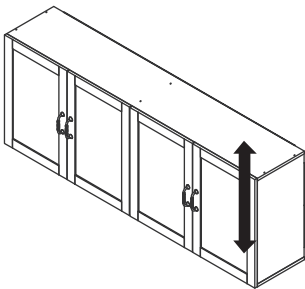


M3.5 x 14 mm



Please don't use an electric drill or use force to rotate, may cause crack. Attach No.8 plate to No.3 by fixing hinge(H) with screw(E) as shown.





# WARRANTY

## WARRANTY CLAIMS

- There is a 30-day warranty for broken furniture or any other problems that do not work properly. The warranty will start from the date of purchase which must be verified by proof of purchase.
- Before making a claim, we may be able to answer your query, simply call us. Please leave your purchase order number, along with some details of the problem, if you want a replacement part. We will arrange within 48 hours. If there is out of stock, we will reply with a shipping date.
- The product must be used in accordance with the instructions provided. For health reasons.
- For other reasons, if the furniture needs to be returned, it must be cleaned and dried and operated within 30 days of receipt.

## Type of Warranty Claim

- Failure to follow the furniture instructions will invalidate the warranty. Attention please.
- Does not include damage during installation, but includes damage during transportation.

## Scope of responsibility

- Shall not bear any responsibility for misuse or user damage and / or loss of parts during the installation of furniture.
- After using, the damage and scratches of the furniture are not covered by the warranty.

## The Warranty Relates to All Bought in The Us and Covers The Following Areas

- Sheet parts: 1 month from the date of purchase.
- Electrical parts: 1 month from the date of purchase.