

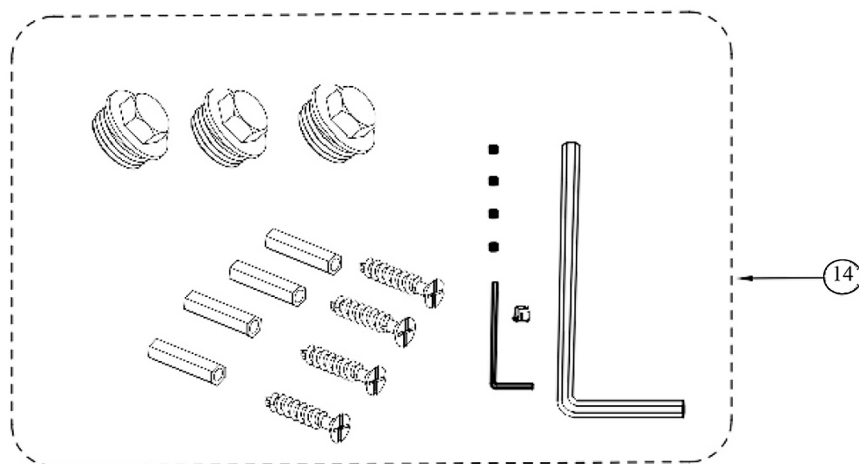
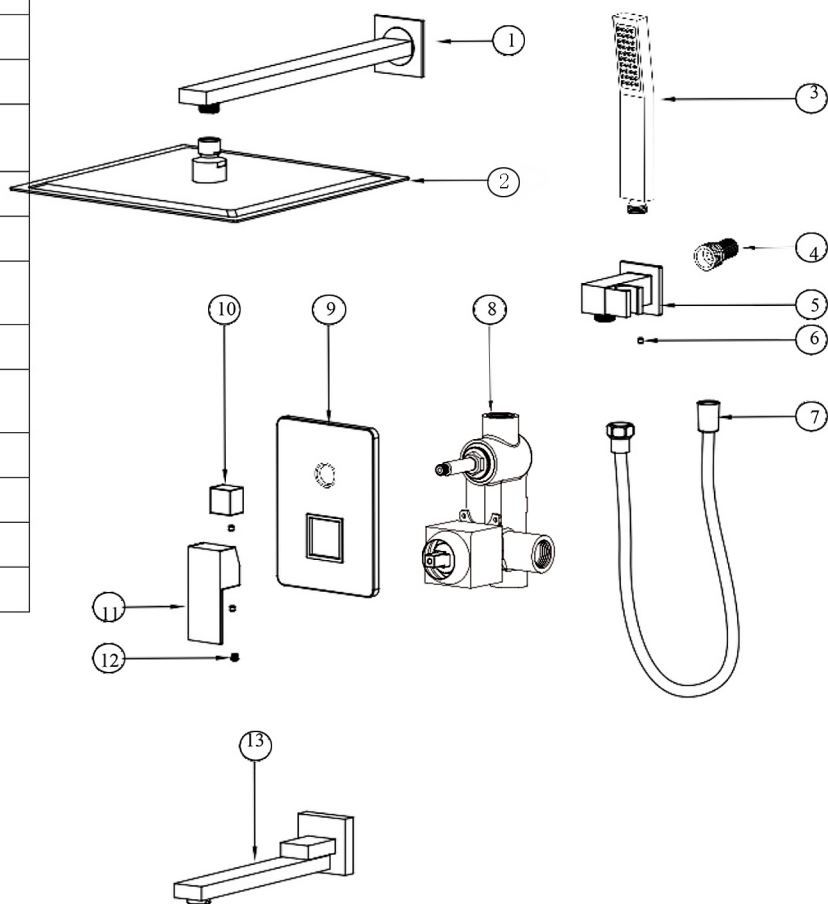


User's Manual



BEFORE INSTALLTION

No.	Items	Qty
1	Upper outlet pipe	1
2	Top shower head	1
3	Hand-held shower head	1
4	Water inlet connection	1
5	Stand for hand shower head	1
6	Hexagon socket screw	4
7	Shower hose	1
8	Main body	1
9	Panel	1
10	Water diversion handwheel	1
11	Handle	1
12	Decorative button	1
13	Lower outlet pipe	1
14	Accessory bag	1



Check accessories

Standard List of Accessories:

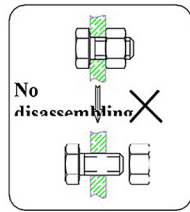
When you open the product packaging, please check whether the objects in it are consistent with the main body and accessories you purchased. If there is any inconsistency, please contact our company or our distributor.

Note: 1. Accessories are subject to change without prior notice if the change does not affect usage;

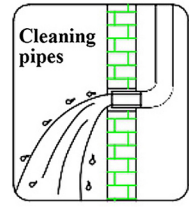
2. The appearance of the product is subject to the physical objects you receive, and the schematic diagram is only for reference.

INSTALL THE SHOWER

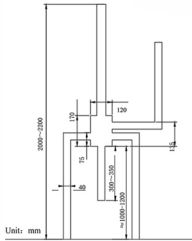
This product has been inspected and debugged by the factory to the best condition. Please do not disassemble and assemble it yourself.



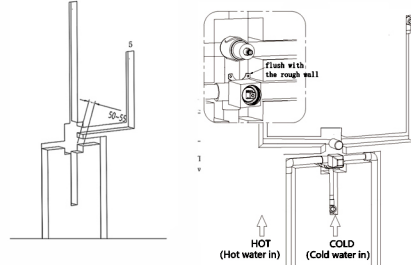
Before installing the faucet, please be sure to remove sundries and sludge from the water pipe to prevent sundries from blocking the faucet.



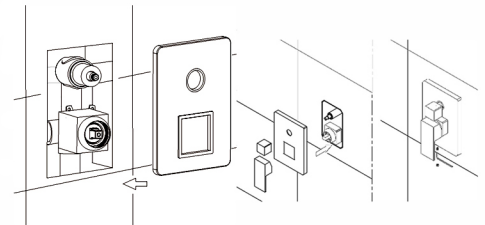
1. Dig pipe grooves for pre-burrying pipes.



2. Install the main body, water inlet and other pipes.

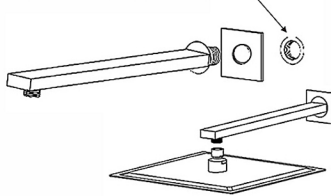


3. Fix ceramic tiles, cut off the edges of the embedded boxes, remove the protective cover and install the panel.



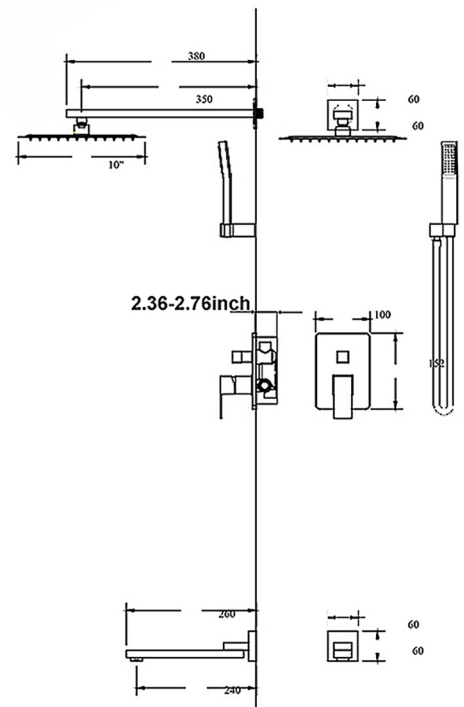
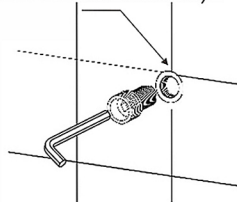
4. Install upper outlet pipe and top shower head.
(wrap the PTFE tape on thread)

(embed the thread flush with the tile surface)

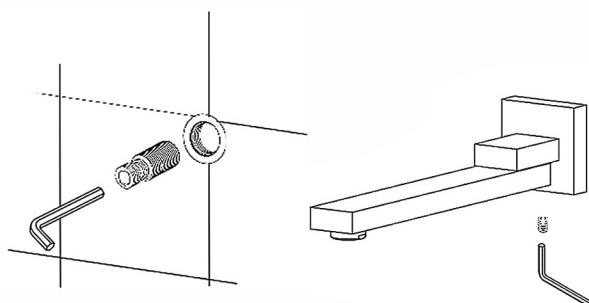


5. Install the stand for hand-held shower head
(wrap the PTFE tape on thread)

(embed the thread flush with the tile surface)



6. Install lower water outlet.
(wrap the PTFE tape on the thread)



CLEANING CARE

In order to keep the appearance of faucet clean, bright and good performance, please take care of the faucet as follows;

1. Rinse with water only and dry with soft cotton cloth;
2. Use mild liquid and colorless glass cleaner to remove surface dirt and scale film, or use polish without abrasive effect;
3. Do not use abrasive detergent, polish, emery cloth, paper towel or scraper, etc.;
4. Do not use acid cleaner, or cleaner and soap with insoluble gran etc.;
5. In the process of use, mud may accumulate in the bubbler and make the water flow show, The bubbler can be unscrewed, rinsed with water, and then installed back in place.



Please feel free to contact us if you have any questions. we will help to solve the issue together with you. OUR EMAIL: services@brohant.com



Service Contact:
6264872662
services@rbrohant.com

Made in China