



## **Warnings and Cautions**

*Please retain this instruction for future usage and read carefully before assembly.*

*Make sure you have all the parts & hardware as item list shows.*

***2 adults or more** are recommended to install your gazebo.*

*Do not discard any of the packaging until you have checked that you have all the parts and pack of fittings.*

*Check all bolts for tightness before use, and periodically check and tighten bolts ensure your gazebo works properly.*

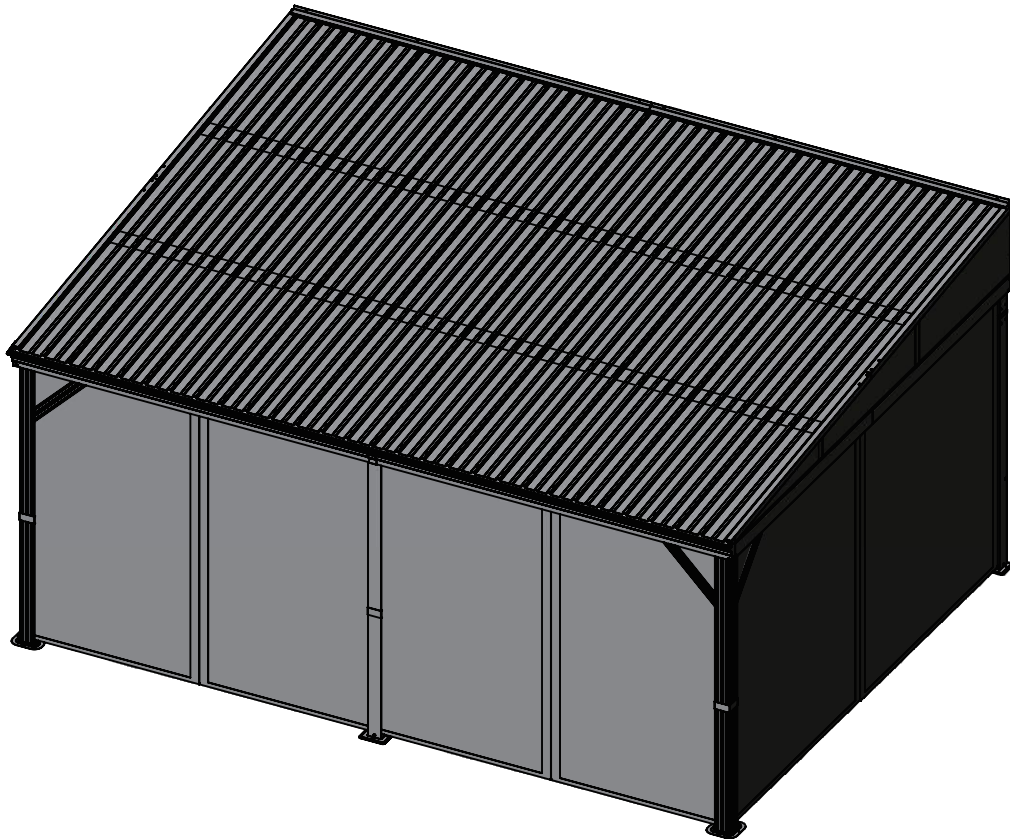
*Some parts might have sharp edges/corners. Please follow basic safety precautions to reduce the risk of hurts.*

*Maximum weight capacity is **2500 pounds**.*

*It is essential to place the gazebo on level ground and not less than **6 feet** from any obstruction such as fences, garages, overhanging branches, laundry lines, or electrical wires.*

*If you have questions or concerns.*

*Please contact us via email at **service@domioutdoorliving.com***



**12'x16'**

SKU: LGMF1636

WALL MOUNT GAZEBO

**Assembly Manual**

**T**hank you for your purchase of

*Domi outdoor living's Gazebo*

Read and follow this assembly and operation guide.

To reduce personal injury and damage to your gazebo

Please **close** your gazebo curtain when it is incoming over **30 mph** wind.

We recommend a **two-person team** for assembly and disassembly.

If you like our products, please tell other customers

If you have prbblem with our products, please tell us

**Please feel free to contact us.**

**DOMI OUTDOOR LIVING**

**domi**  
outdoor living

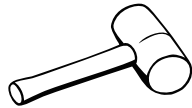
## Pre-assembly

### TOOLS THAT MAY BE REQUIRED (Not included in boxes)

\*NOTE: Tools / equipment are not shown to actual size and scale.



LEVEL



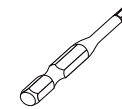
RUBBER Mallet



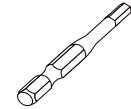
PHILLIPS SCREW



DRILL



ALLEN KEY



ALLEN KEY

### EQUIPMENT REQUIRED (Not included in boxes)

\*NOTE: Equipment are not shown to actual size and scale.



SAFETY HAT



GLOVES



SAFETY GOGGLES



STEPLADDER

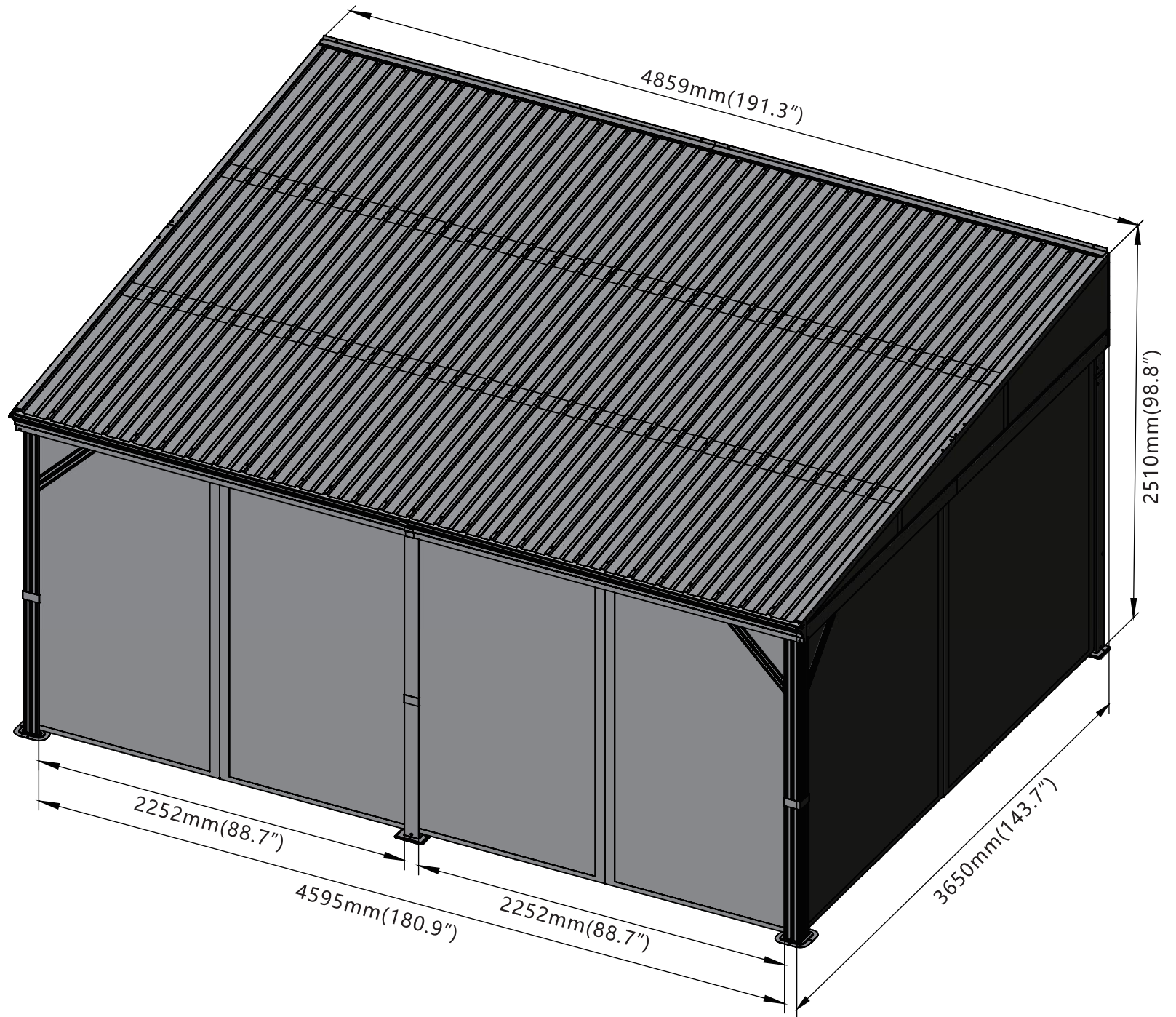
### Matters needing attention



1. Two or more people are required for assembly.



2. Do not fully tighten screws prior to complete assembly.



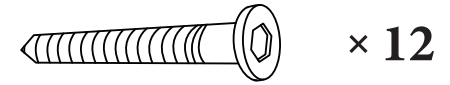
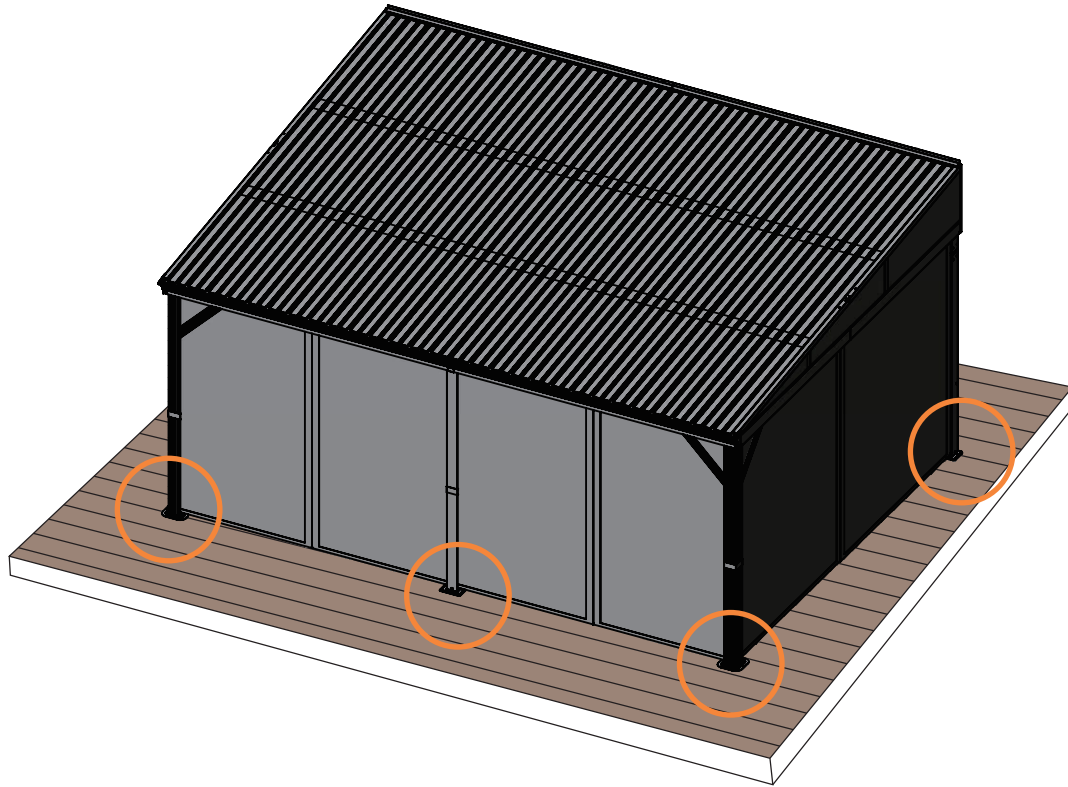
3455mm(136")

2348mm(92.4")

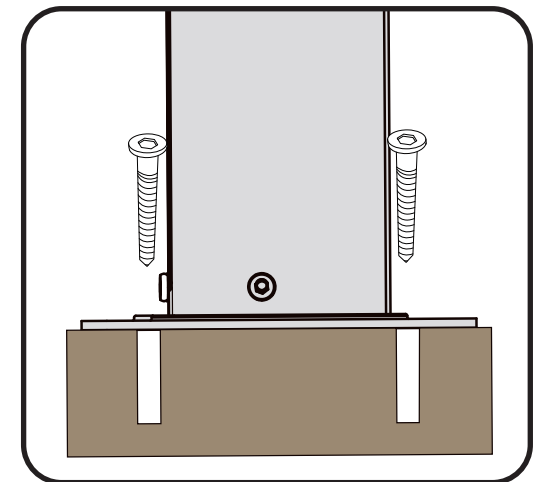
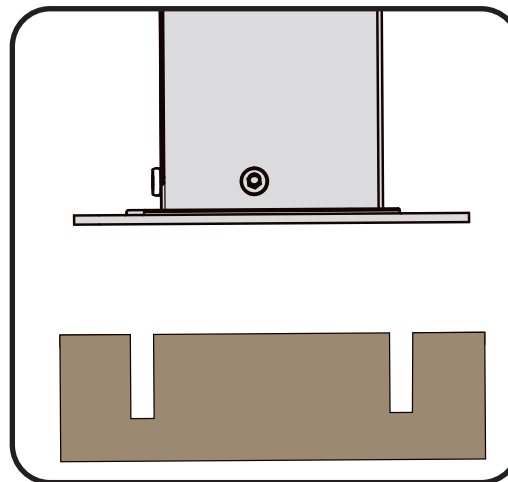
2348mm(92.4")



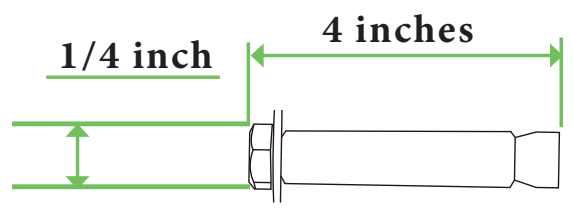
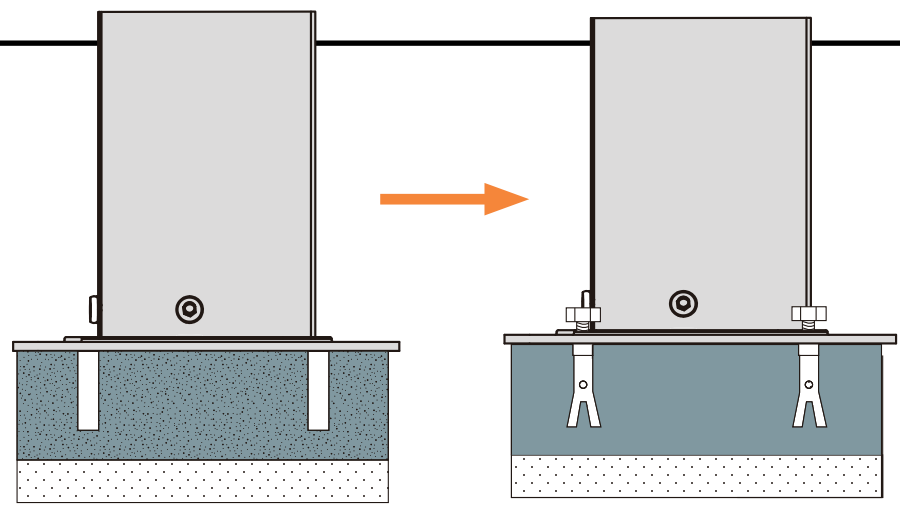
1



If the deck is hard wood and the depth of it is over 3 inch, you can use **5/16 in. x4 in. Structural Wood Screw** to mount the pergola.

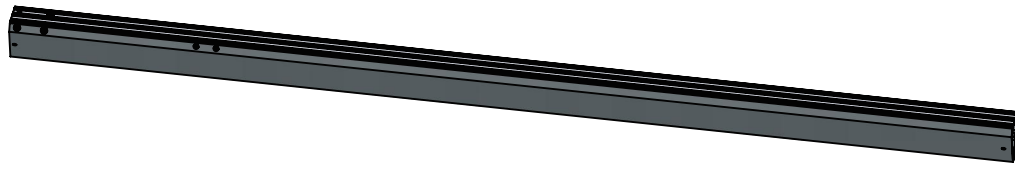


2

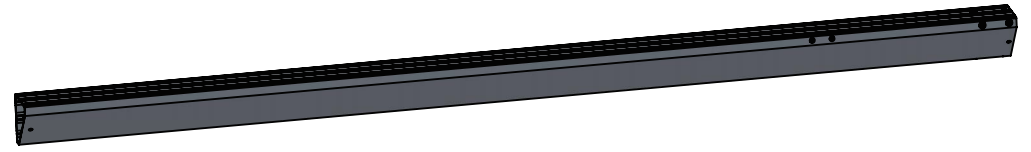


X12

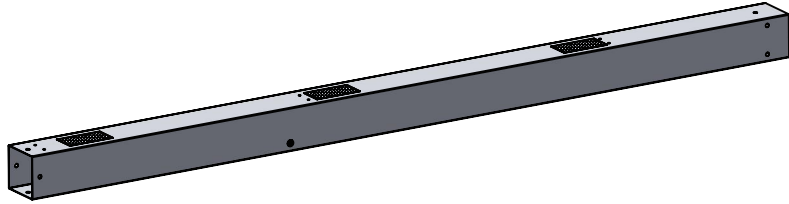
If the ground is concreted and the depth of it is over 3 inch, you can use 1/4 inch expansion bolts to mount the pergola



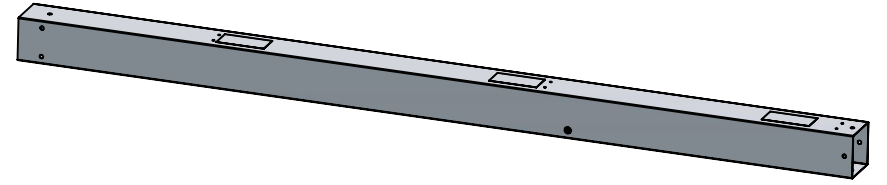
A1 1X



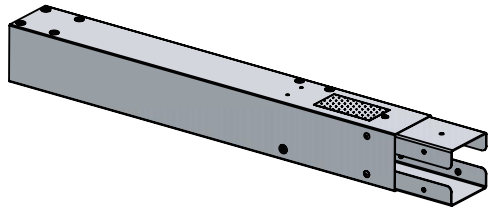
A2 1X



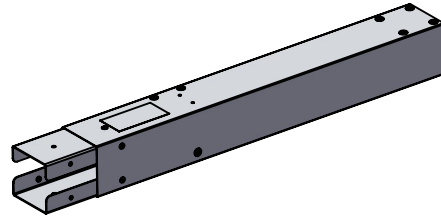
A3 1X



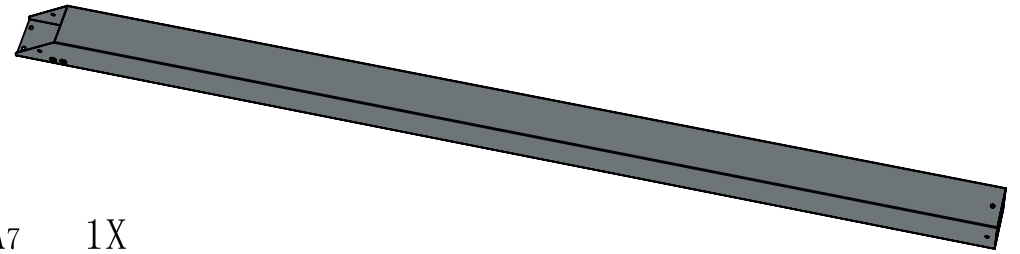
A4 1X



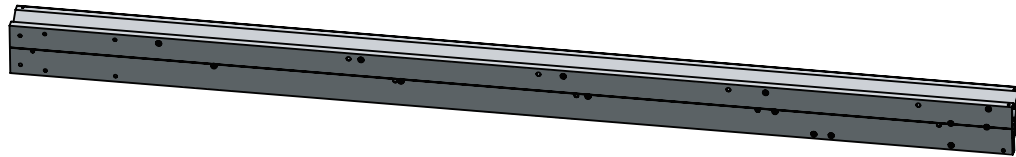
A5 1X



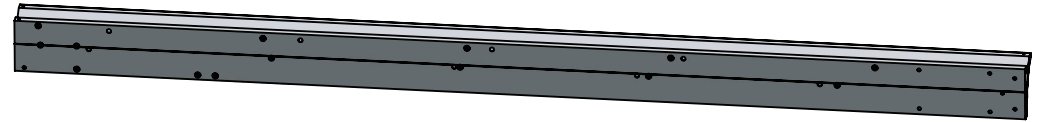
A6 1X



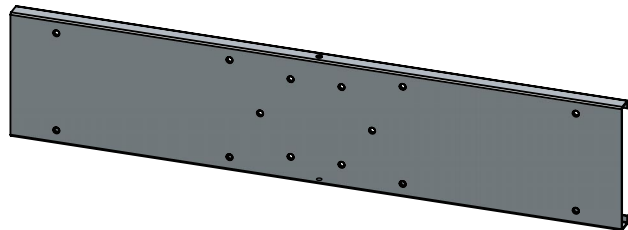
A7 1X



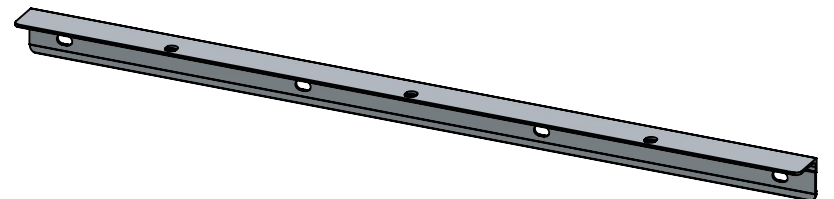
B1 1X



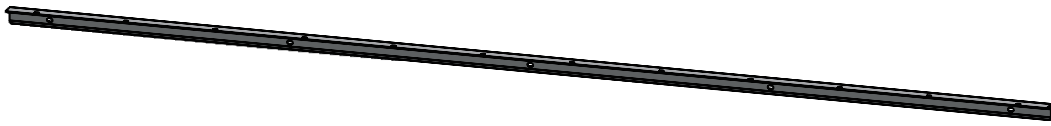
B2 1X



C 1X



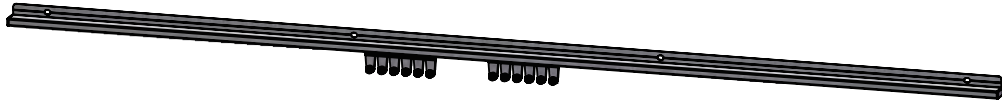
D1 3X



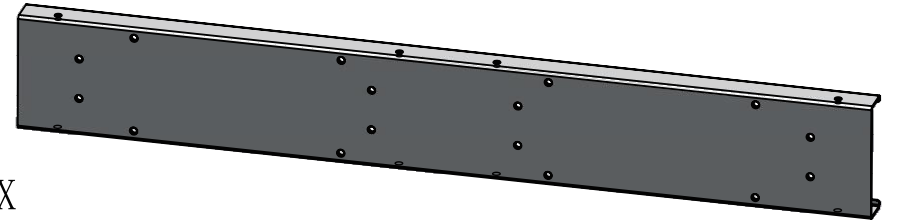
D<sub>2</sub> 8X



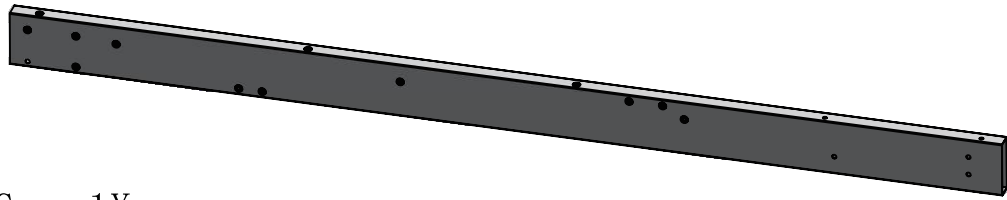
E<sub>1</sub> 2X



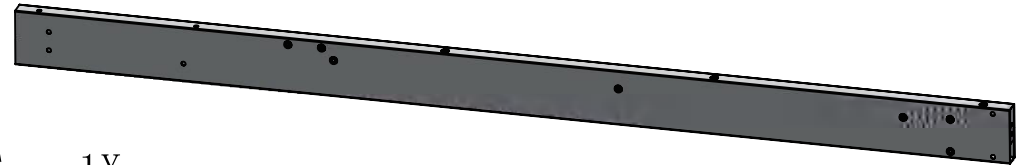
E<sub>2</sub> 4X



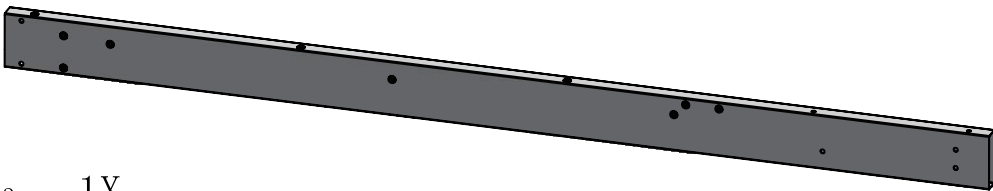
F 5X



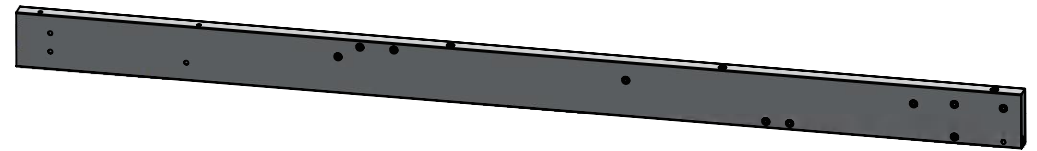
G<sub>1</sub> 1X



G<sub>2</sub> 1X



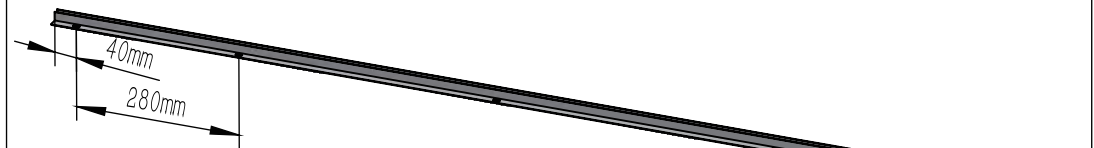
G<sub>3</sub> 1X



G<sub>4</sub> 1X



H<sub>1</sub> 1X



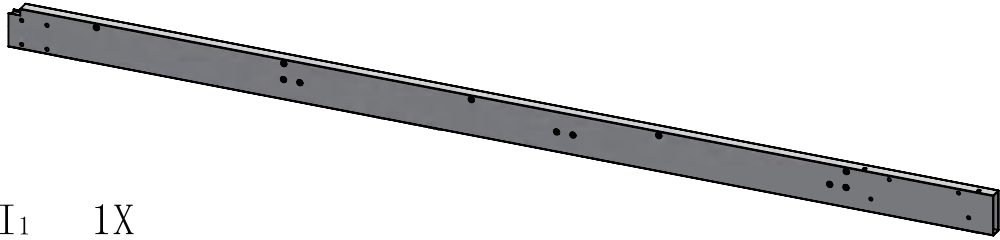
H<sub>2</sub> 1X



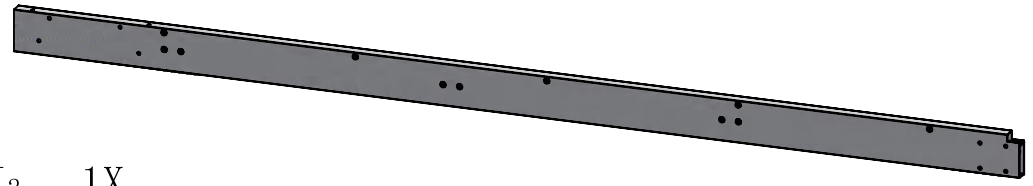
H<sub>3</sub> 1X



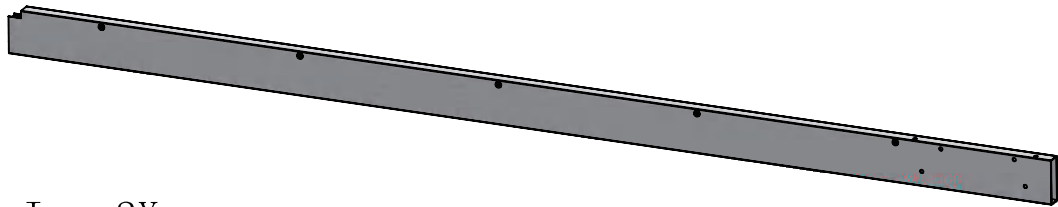
H<sub>4</sub> 1X



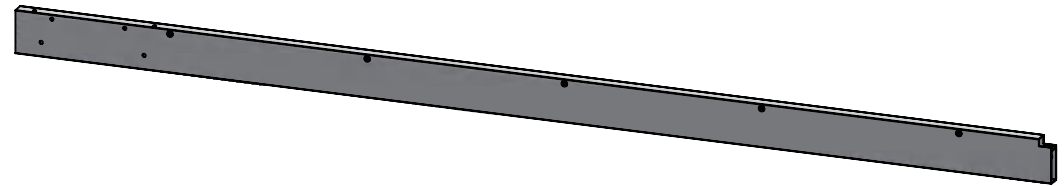
I<sub>1</sub> 1X



I<sub>2</sub> 1X



I<sub>3</sub> 2X



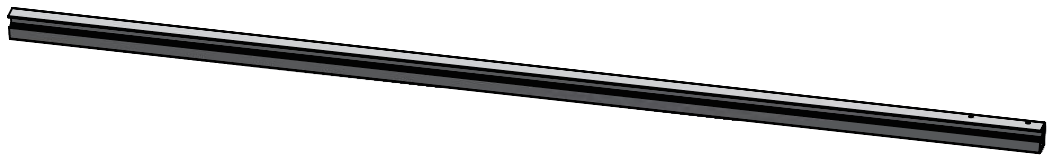
I<sub>4</sub> 2X



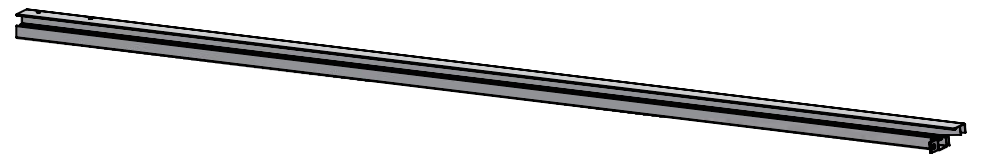
J<sub>1</sub> 1X



J<sub>2</sub> 1X

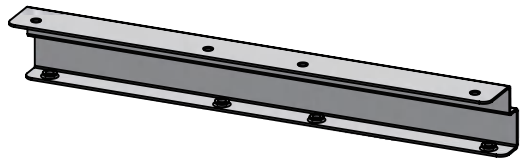


J<sub>3</sub> 1X

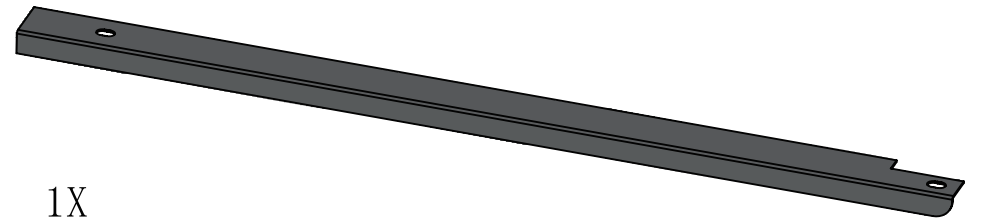


J<sub>4</sub> 1X

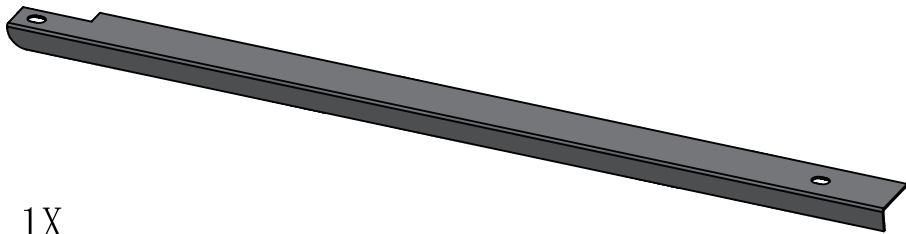
K 2X



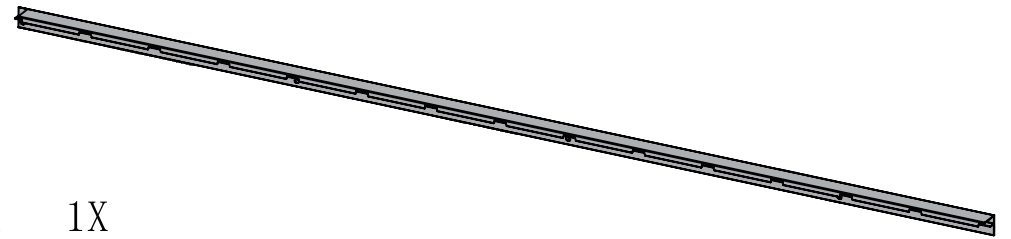
L1 1X



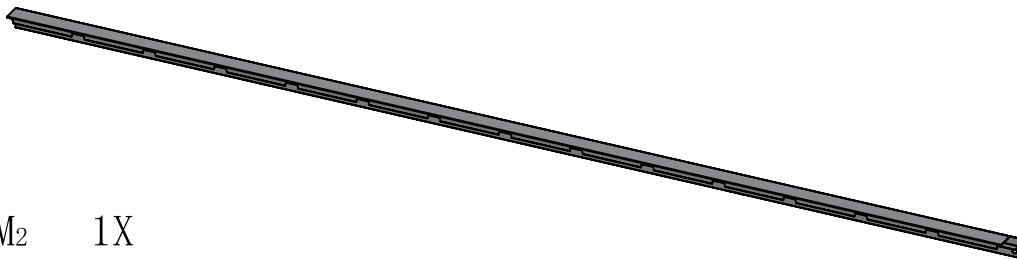
L2 1X



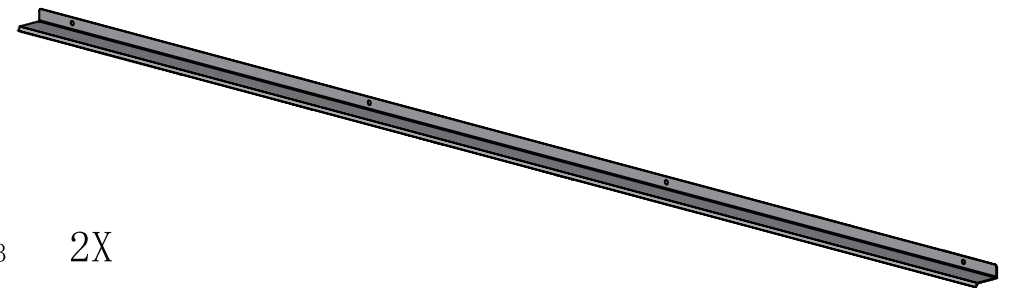
M1 1X



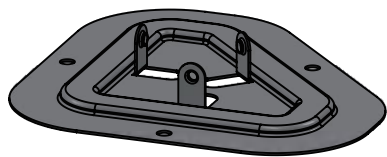
M2 1X



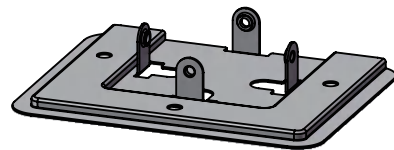
M3 2X



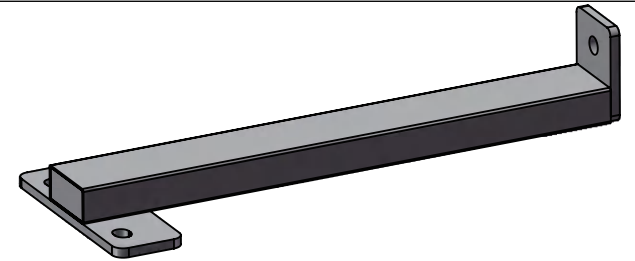
N1 2X



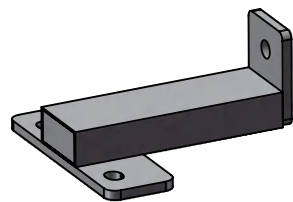
N2 3X



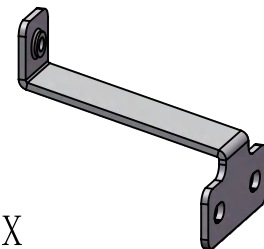
O1 2X



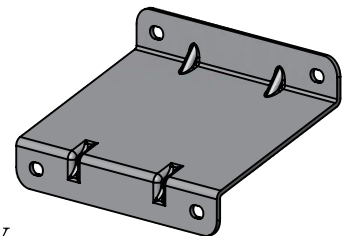
O2 2X

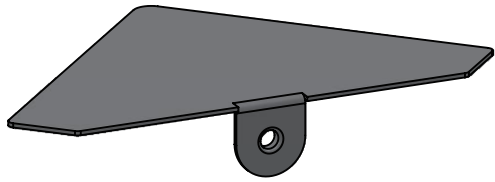


P1 6X

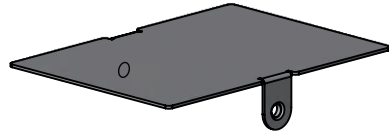


P2 1X

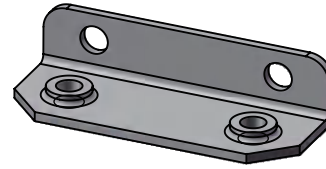




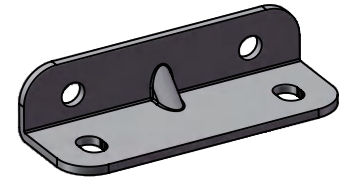
Q<sub>1</sub> 2X



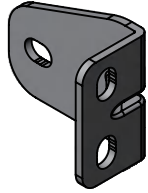
Q<sub>2</sub> 1X



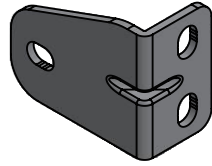
R<sub>1</sub> 4X



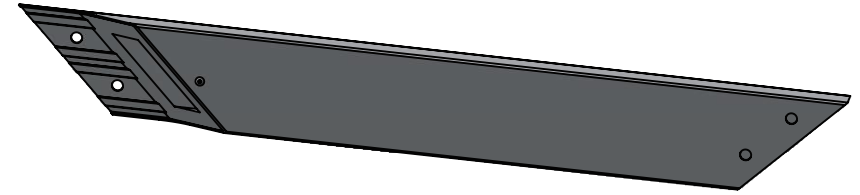
R<sub>2</sub> 6X



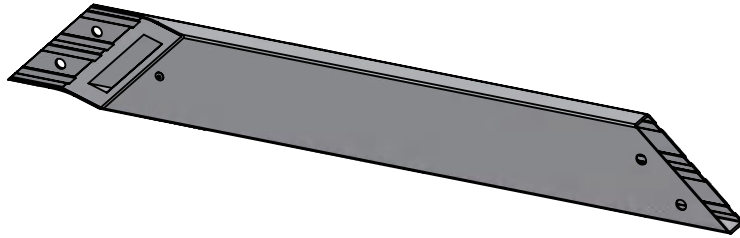
R<sub>3</sub> 1X



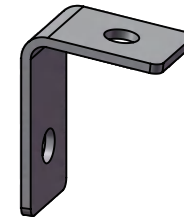
R<sub>4</sub> 1X



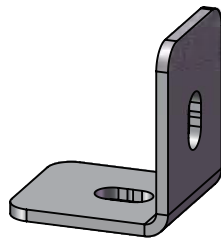
S<sub>1</sub> 2X



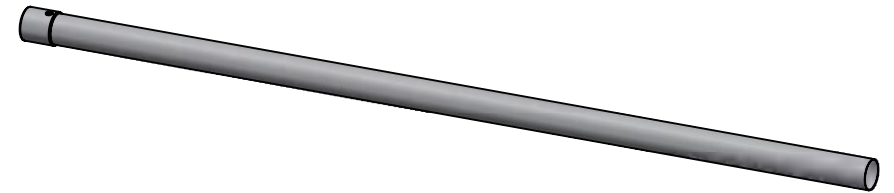
S<sub>2</sub> 2X



T<sub>1</sub> 6X



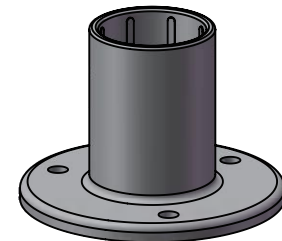
T<sub>2</sub> 4X



U<sub>1</sub> 2X

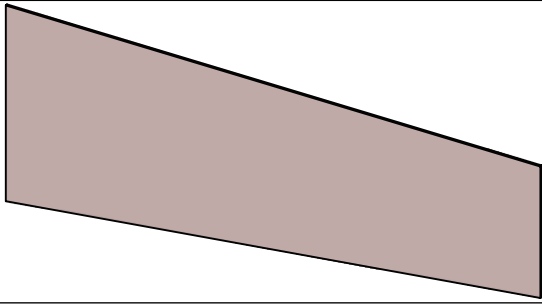


U<sub>2</sub> 2X

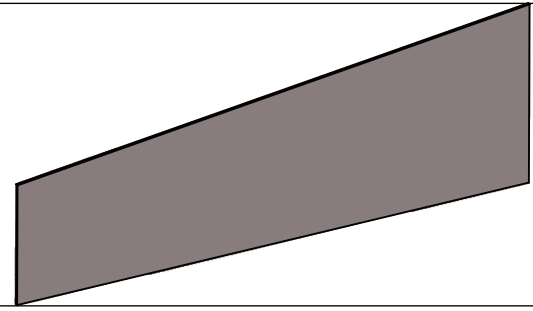


U<sub>3</sub> 2X

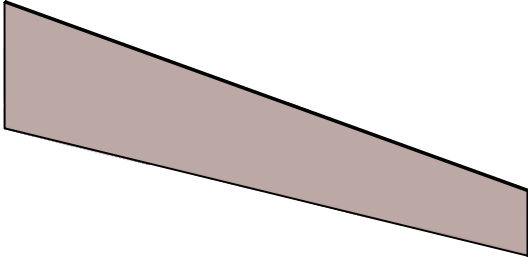
V<sub>1</sub> 1X



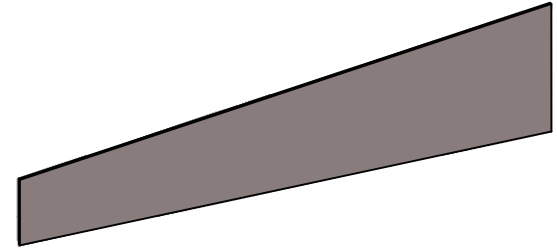
V<sub>2</sub> 1X



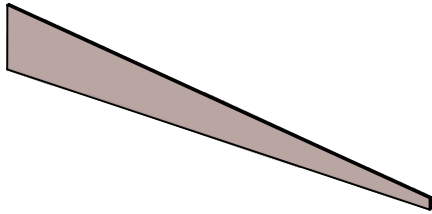
V<sub>3</sub> 1X



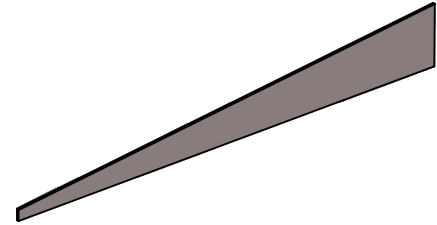
V<sub>4</sub> 1X



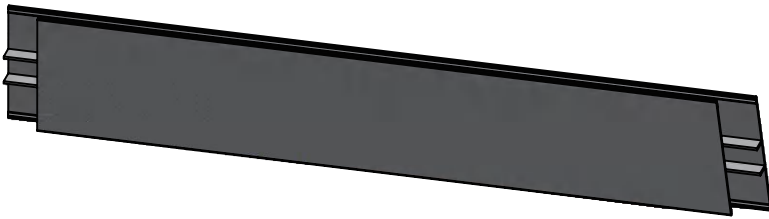
V<sub>5</sub> 1X



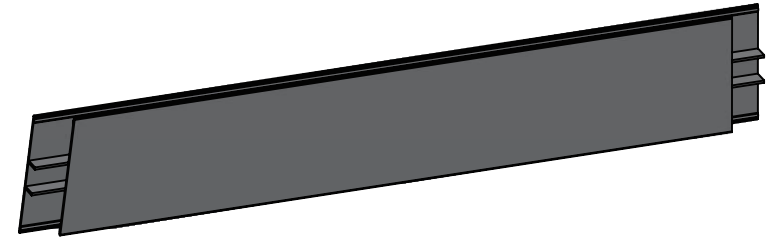
V<sub>6</sub> 1X



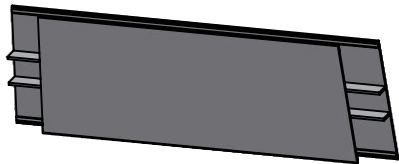
V<sub>7</sub> 1X



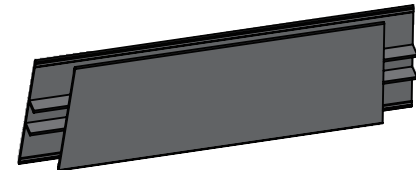
V<sub>8</sub> 1X



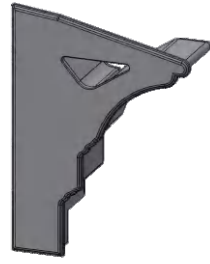
V<sub>9</sub> 1X



V<sub>10</sub> 1X



W<sub>1</sub> 1X



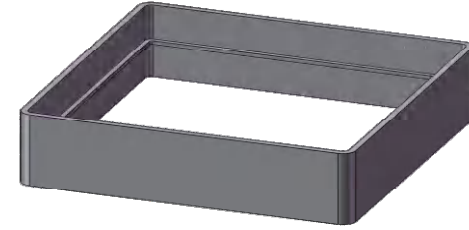
W<sub>2</sub> 1X



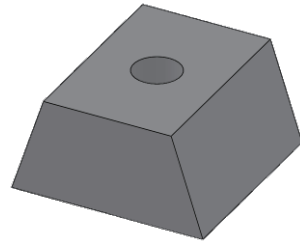
W<sub>3</sub> 1X



W<sub>4</sub> 2X



X 108X



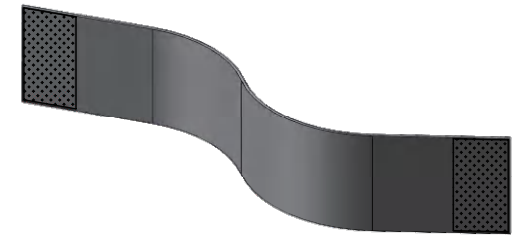
Y<sub>1</sub> 6X



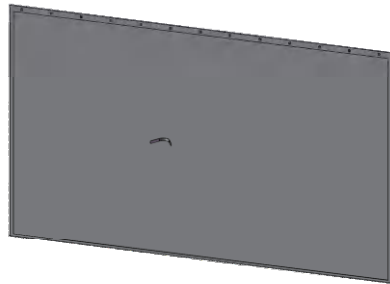
Y<sub>2</sub> 24X



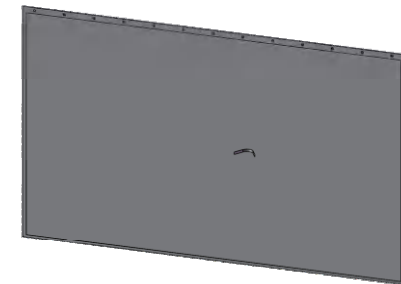
Z<sub>1</sub> 5X



Z<sub>2</sub> 1X

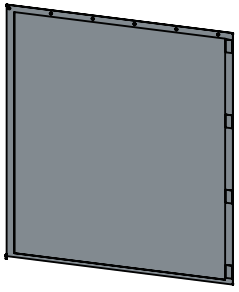


Z<sub>3</sub> 1X



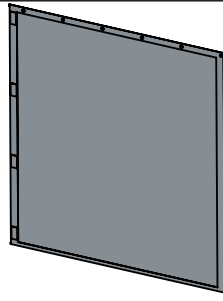
Z4

1X



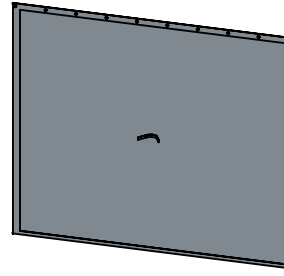
Z5

1X



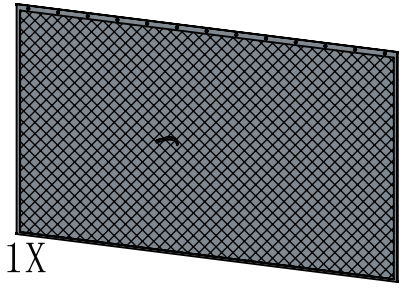
Z6

1X



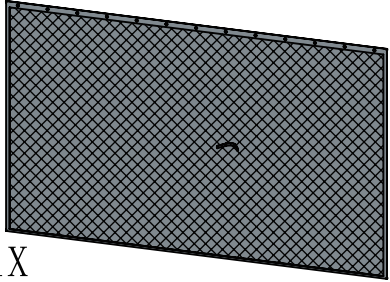
Z7

1X



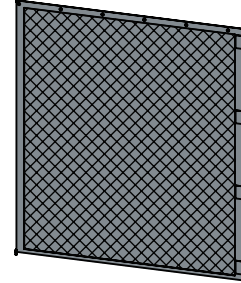
Z8

1X



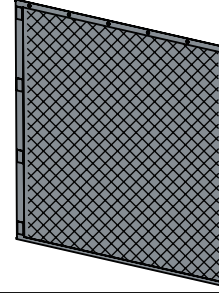
Z9

1X



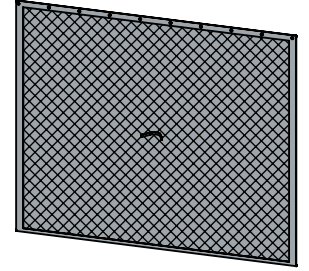
Z10

1X



Z11

1X

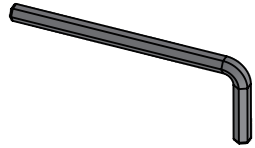


D3

1X



<p>1# 8</p>  <p>ST4. 8*13</p>	<p>2# 25</p>  <p>M5*12</p>	<p>3# 8</p>  <p>M6*10</p>
<p>4# 292</p>  <p>M6*16</p>	<p>5# 108</p>  <p>M6*28</p>	<p>6# 8</p>  <p>M6*40</p>
<p>7# 2</p>  <p>M6*12 (L20)</p>	<p>8# 6</p>  <p>M6*15 (L30)</p>	<p>9# 14</p>  <p>ST6*70</p>
<p>10# 14</p> 	<p>11# 108</p>  <p>M6</p>	<p>12# 2</p>  <p>M8*60</p>
<p>13# 2</p>  <p>M8</p>	<p>14# 2</p>  <p>M8</p>	<p>15# 2</p> 



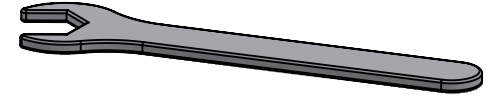
16# 1

S4

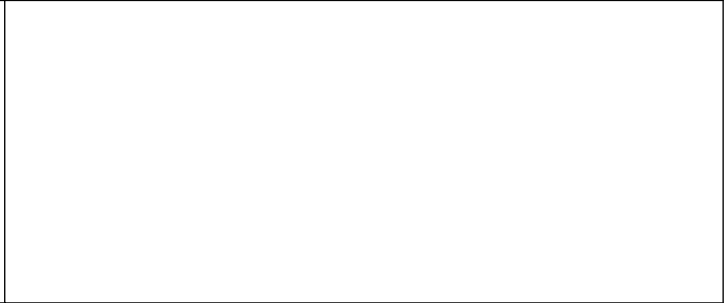
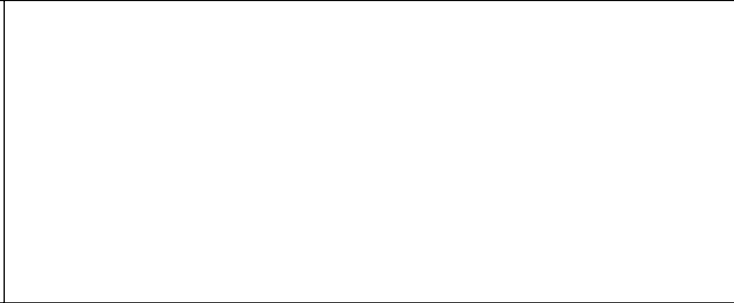
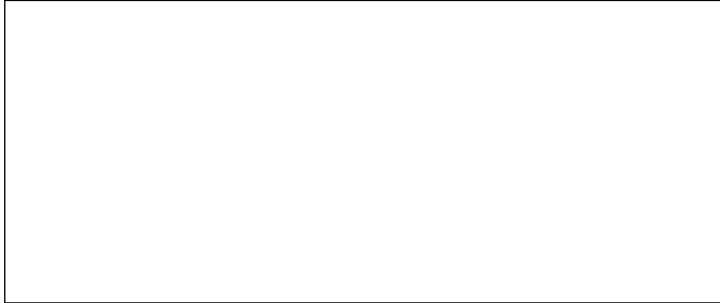
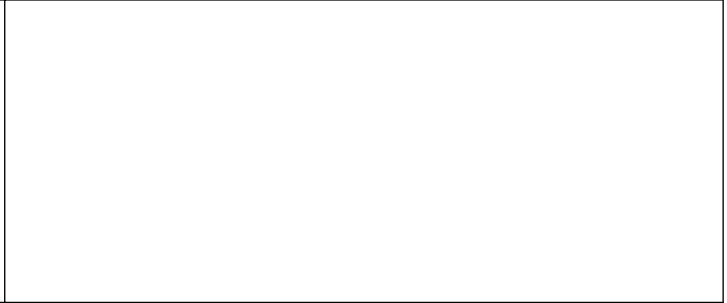
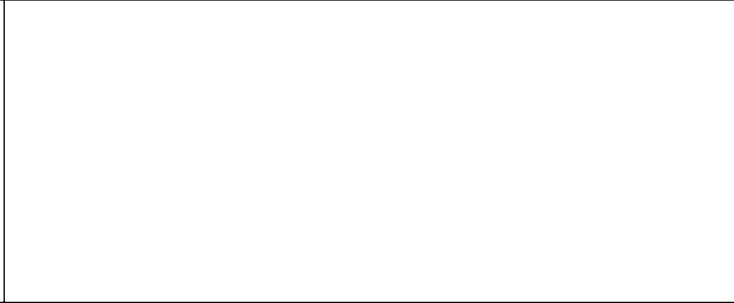
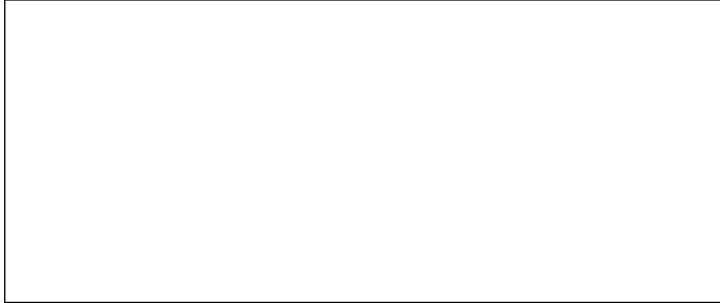


17# 108

D12/d6. 2\*H2



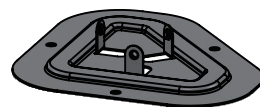
18# 1



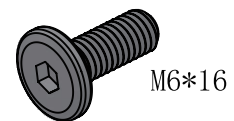


A1 1X

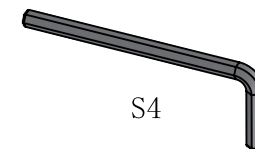
A2 1X



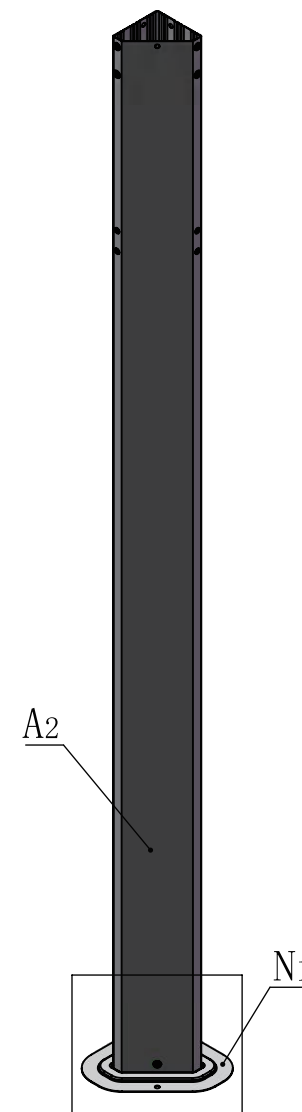
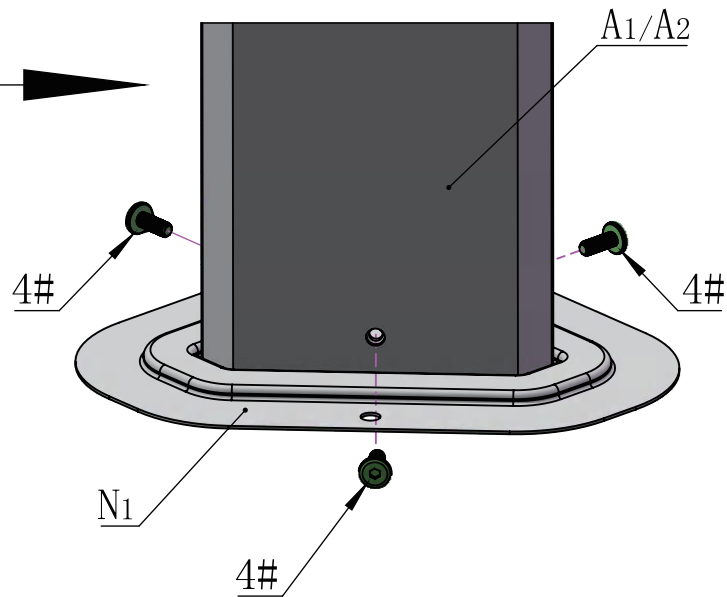
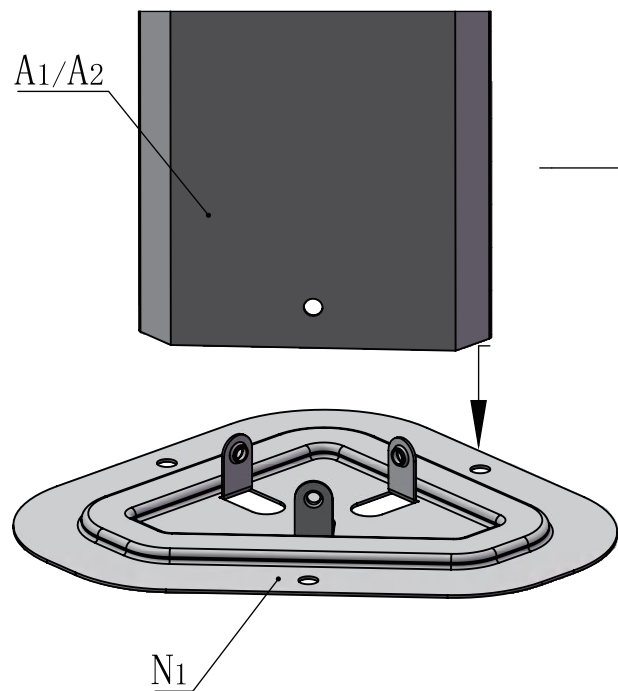
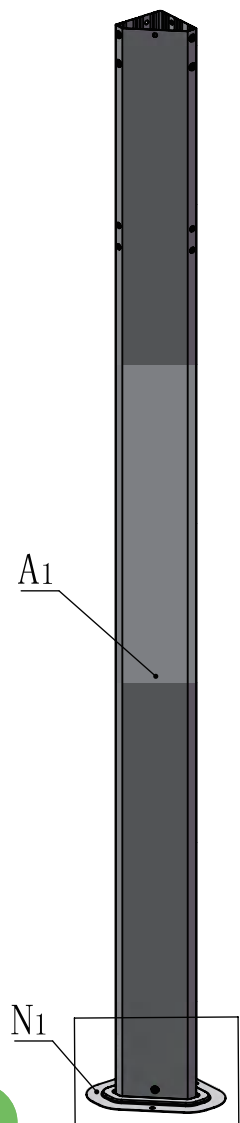
N1 2X

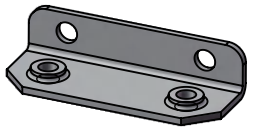


4# 6X



16# 1X



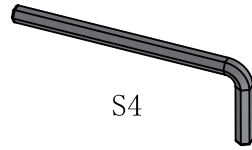


R<sub>1</sub> 4X



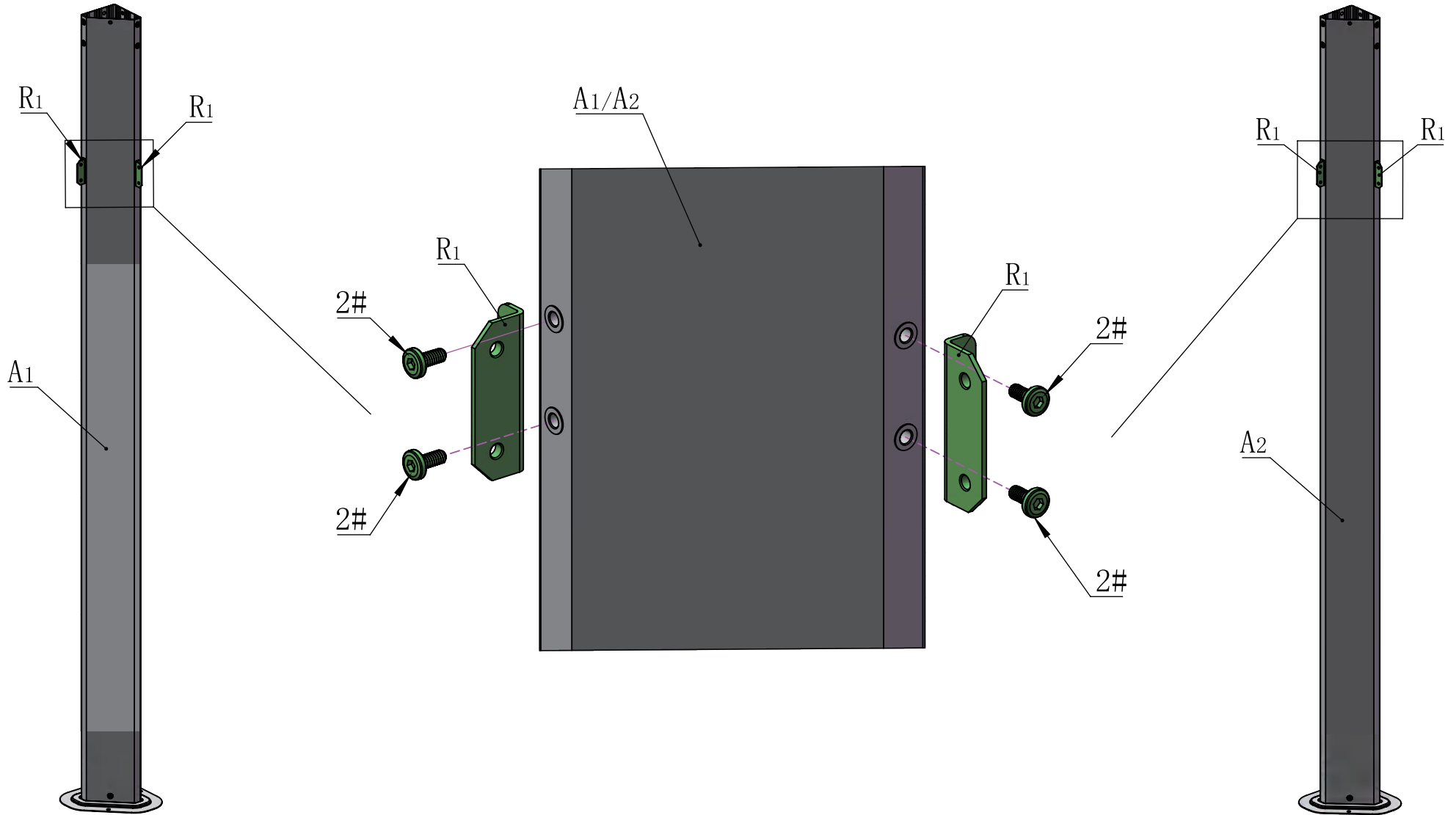
M5\*12

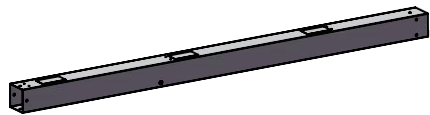
2# 8X



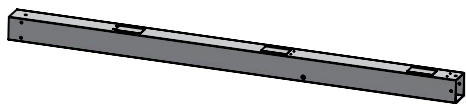
S4

16# 1X

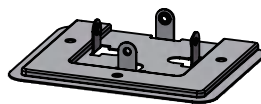




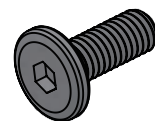
A3 1X



A4 1X

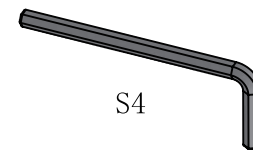


N2 2X



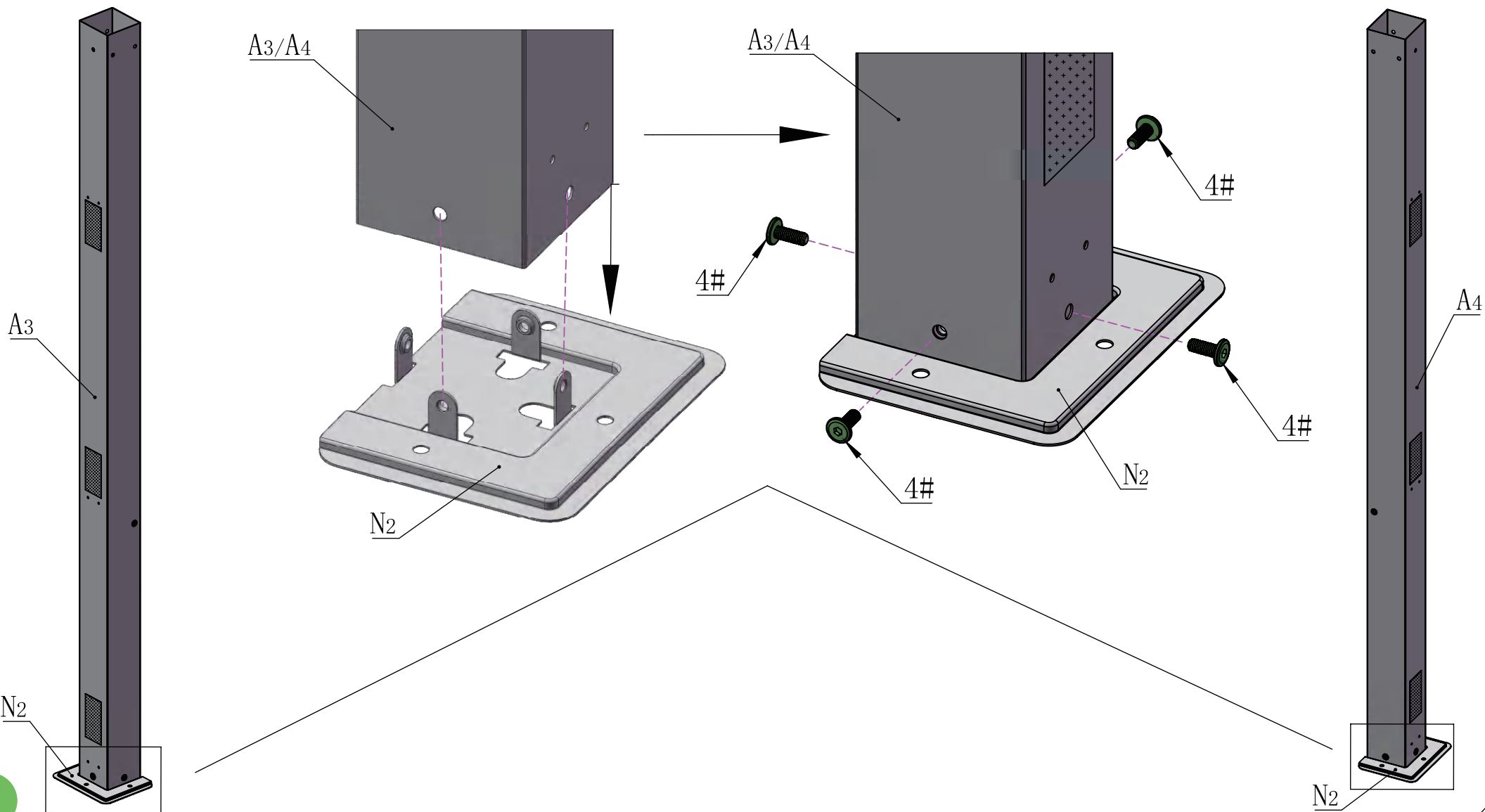
M6\*16

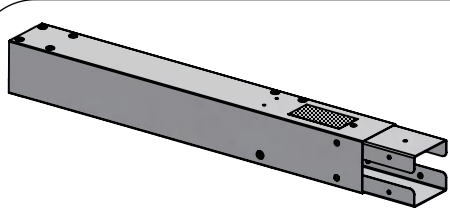
4# 8X



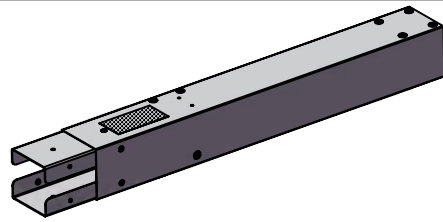
S4

16# 1X

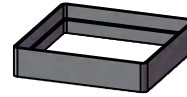




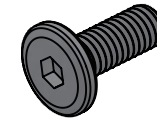
A5 1X



A6 1X

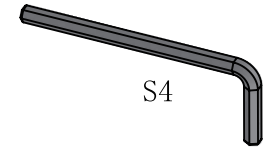


W4 2X



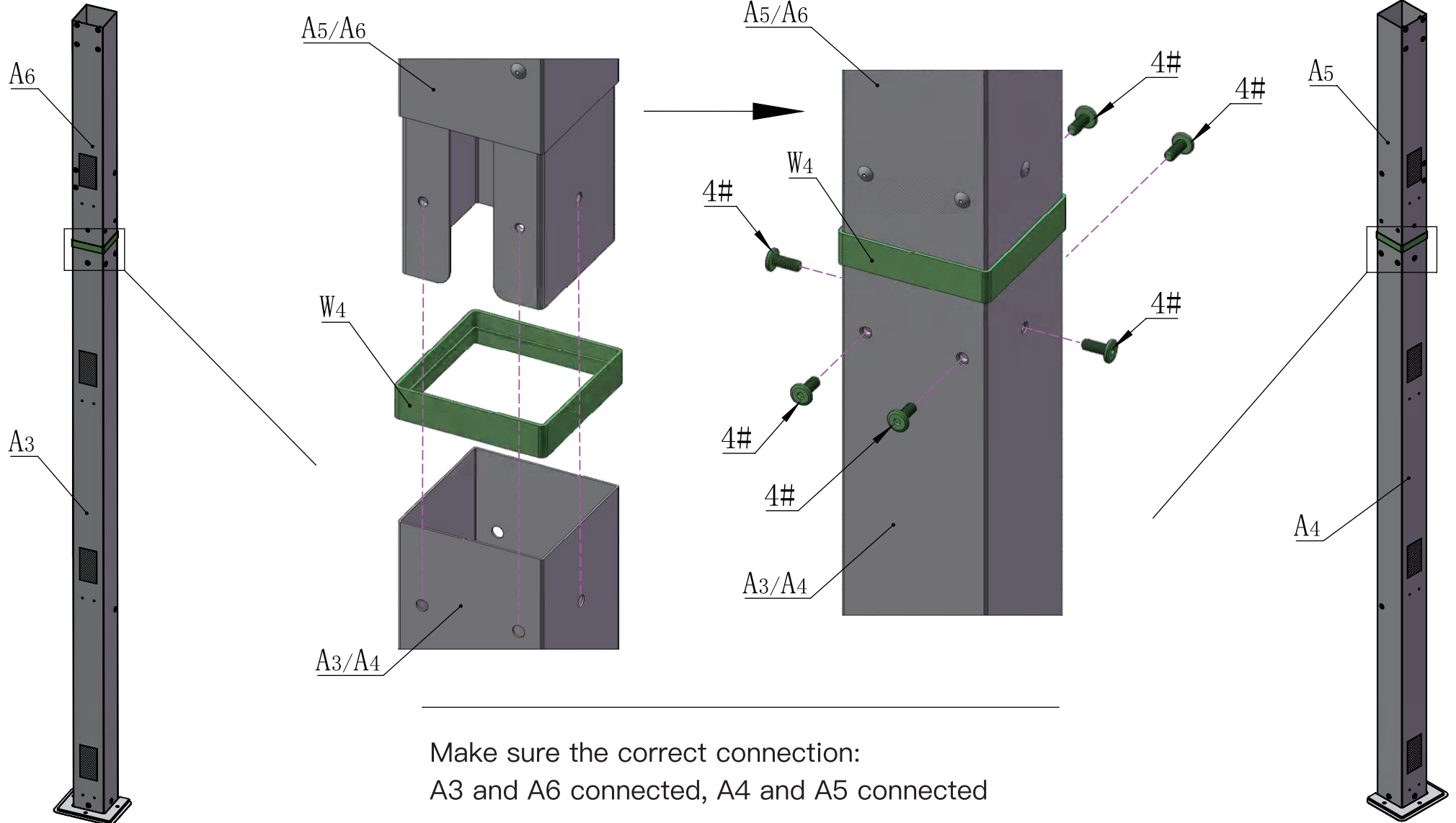
M6\*16

4# 12X

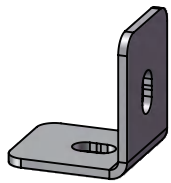


S4

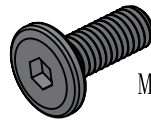
16# 1X



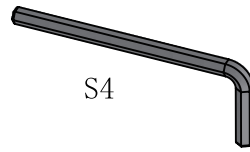
Make sure the correct connection:  
 A3 and A6 connected, A4 and A5 connected



T2 4X

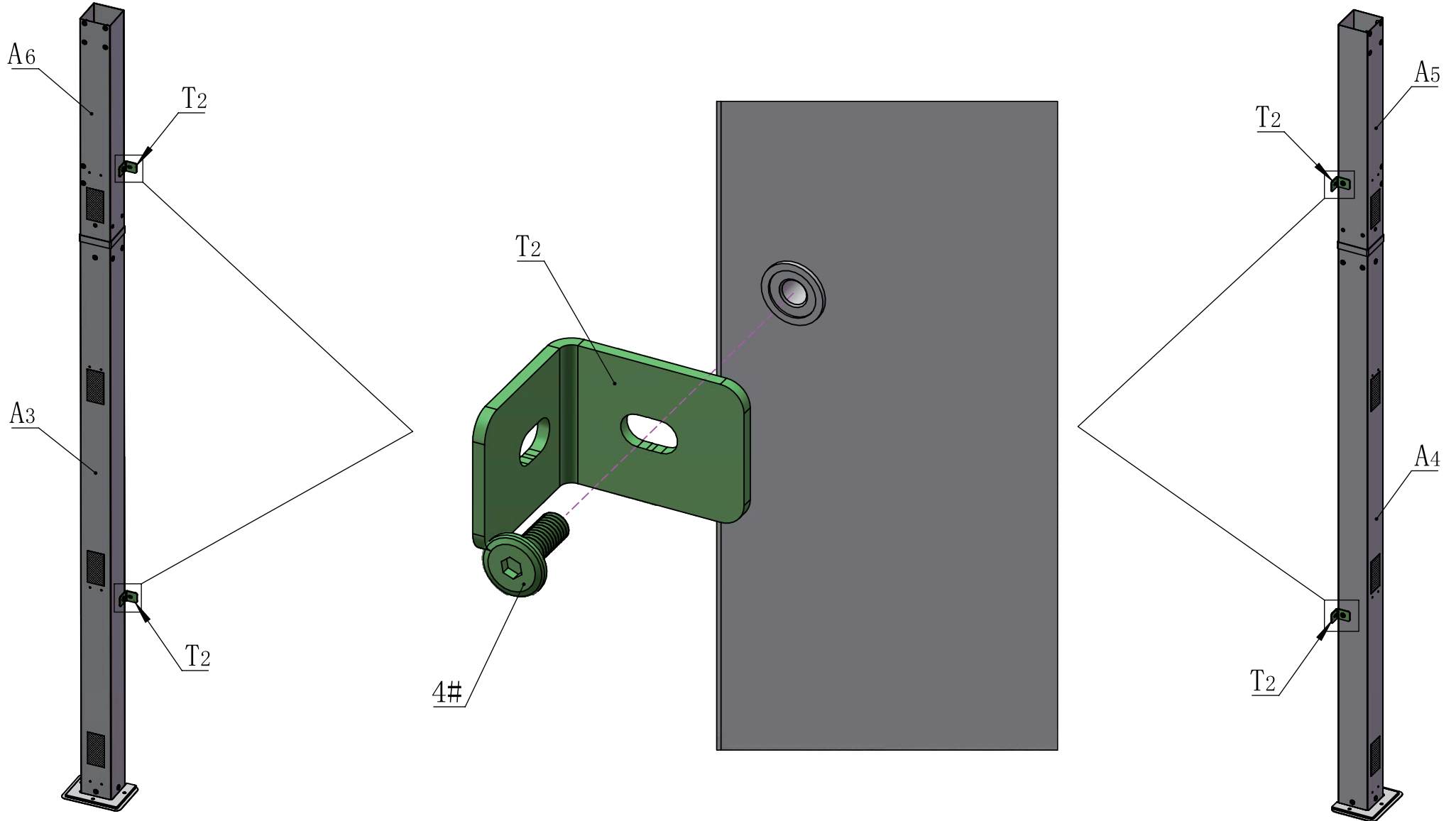


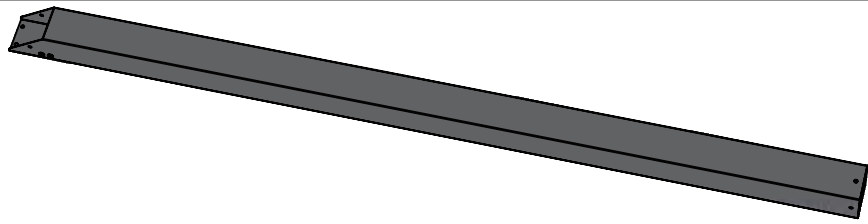
4# M6\*16 4X



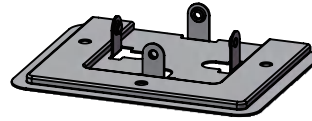
16# S4 1X

The bracket #T2 is used to fix the post against the wall. If you don't need it fixed, please retain for future use and skip this step.

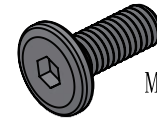




A7 1X

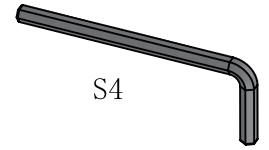


N2 1X

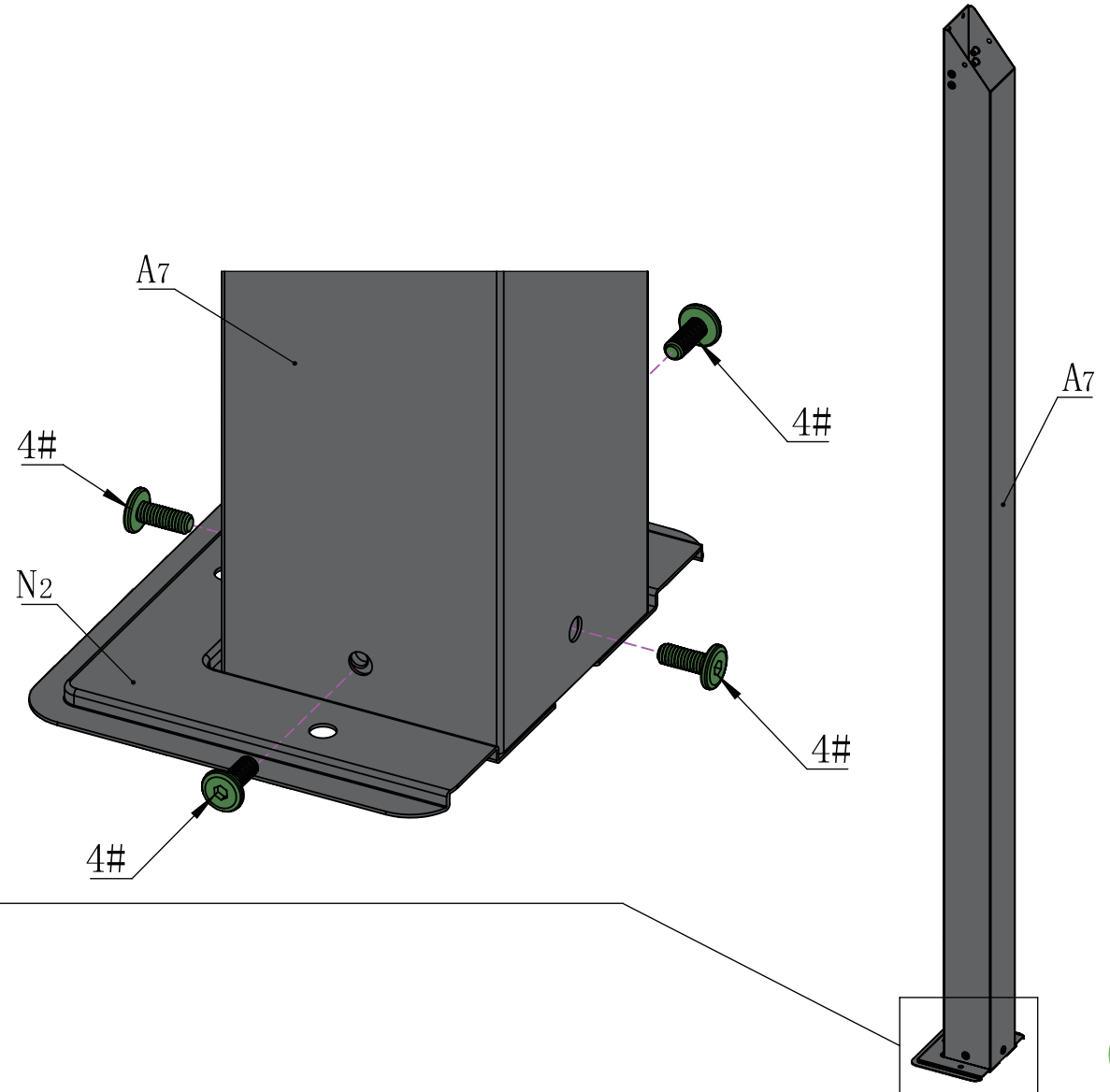
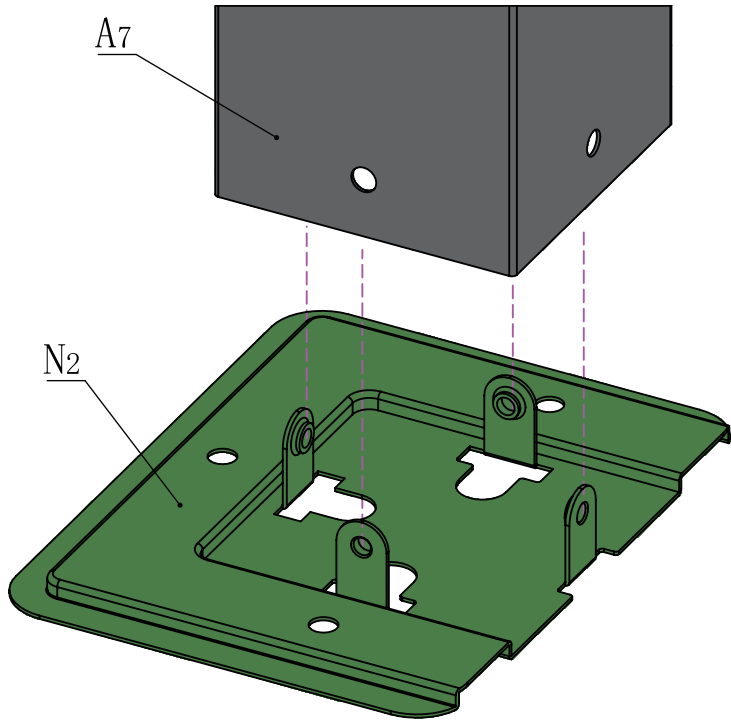


M6\*16

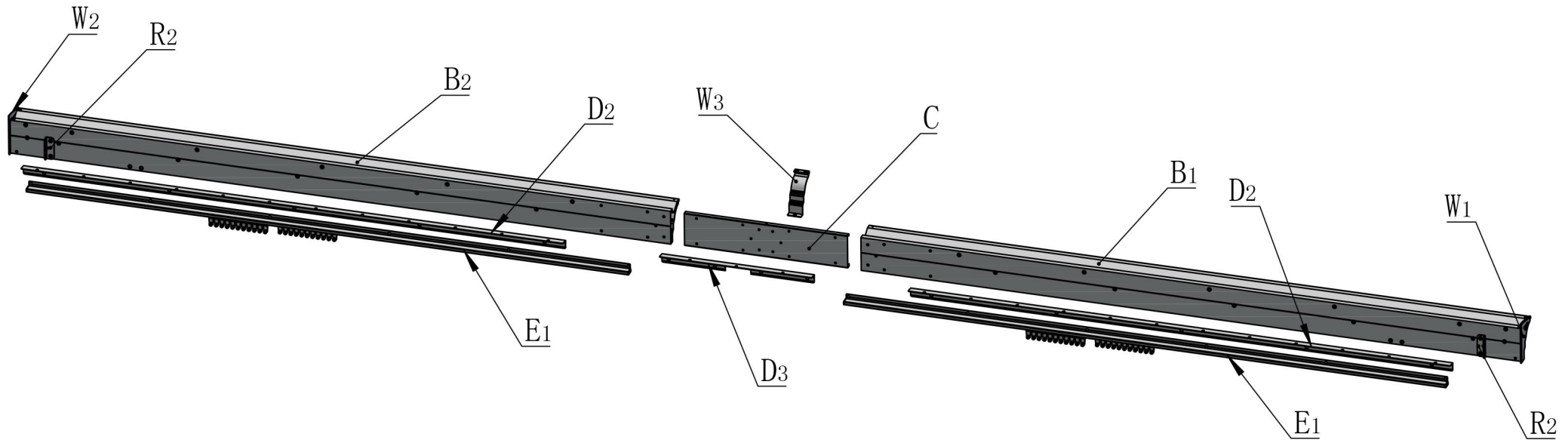
4# 4X

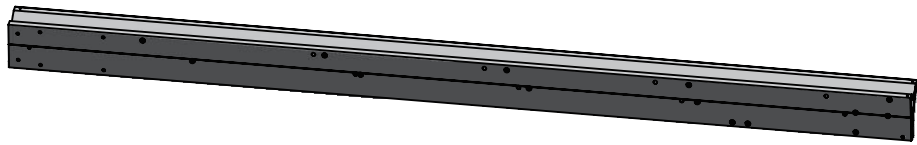


S4  
16# 1X

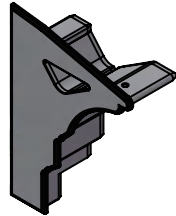


# Front Beam Assembly





B<sub>1</sub> 1X

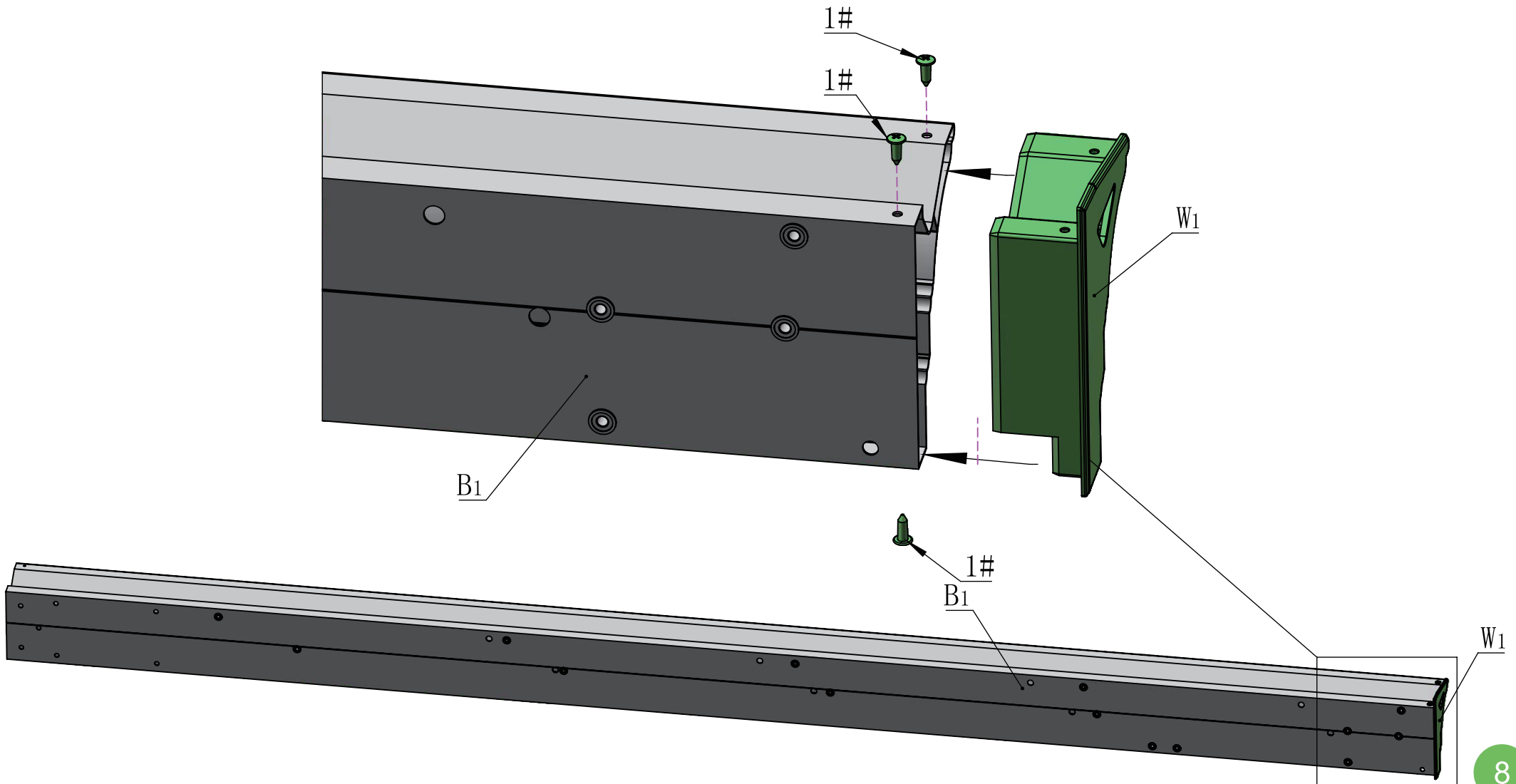


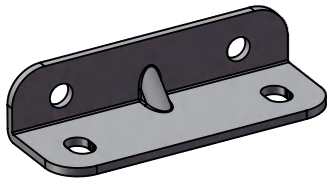
W<sub>1</sub> 1X



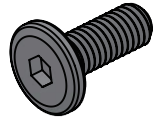
ST4.8\*13

1# 3X



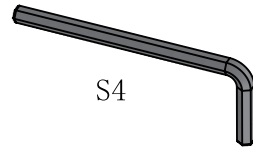


R2 1X



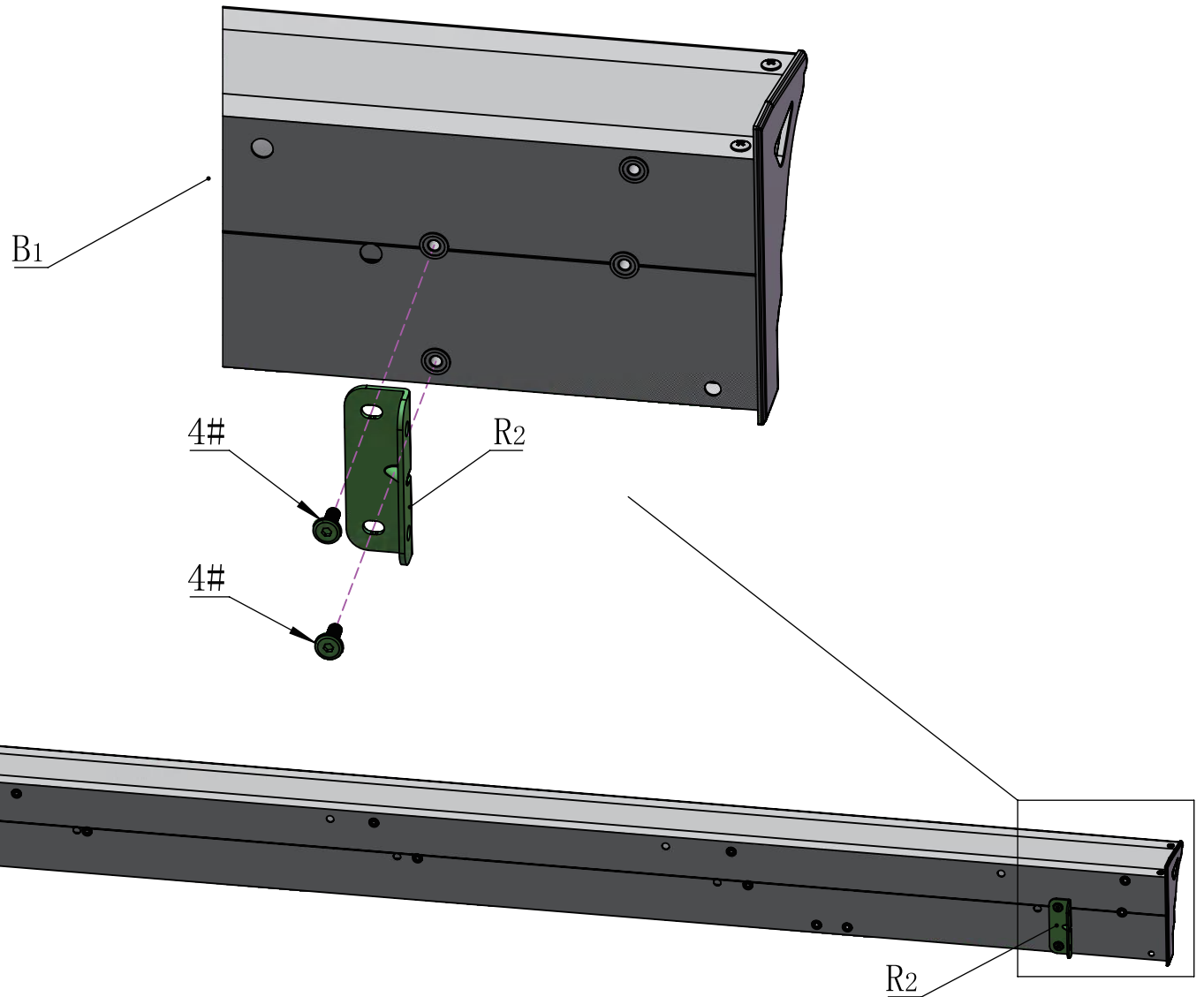
M6\*16

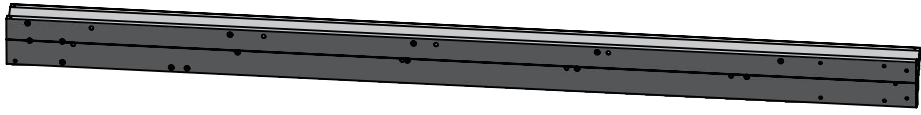
4# 2X



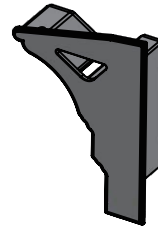
S4

16# 1X

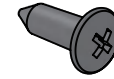




B<sub>2</sub> 1X

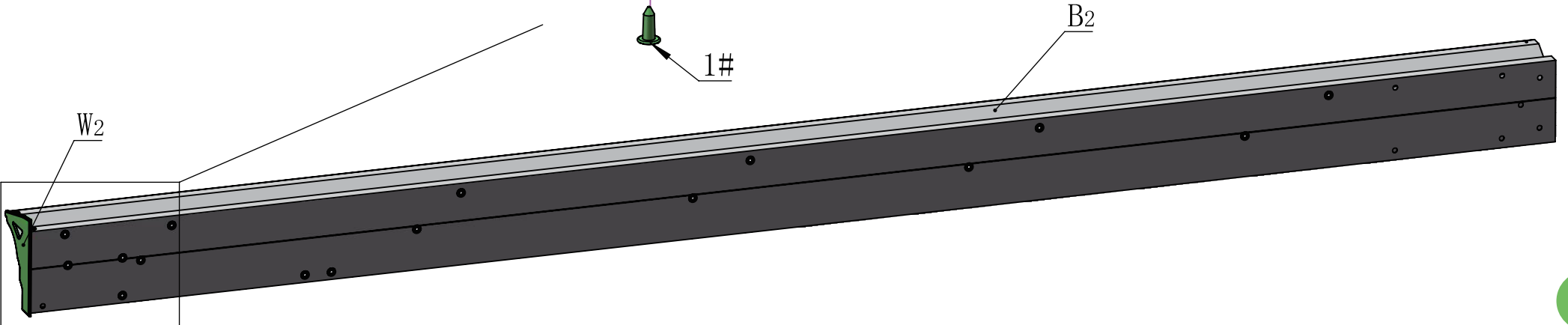
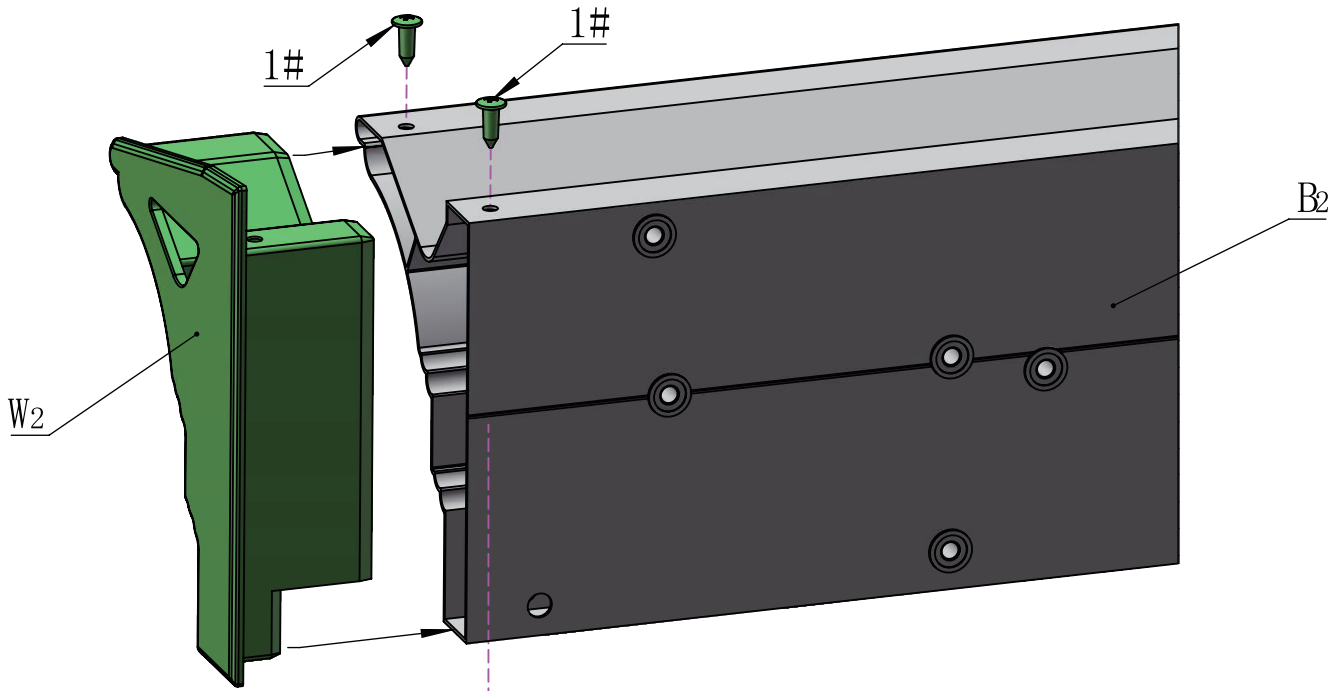


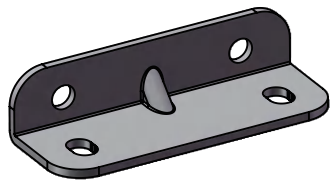
W<sub>2</sub> 1X



ST4.8\*13

1# 3X



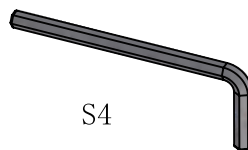


R2 1X



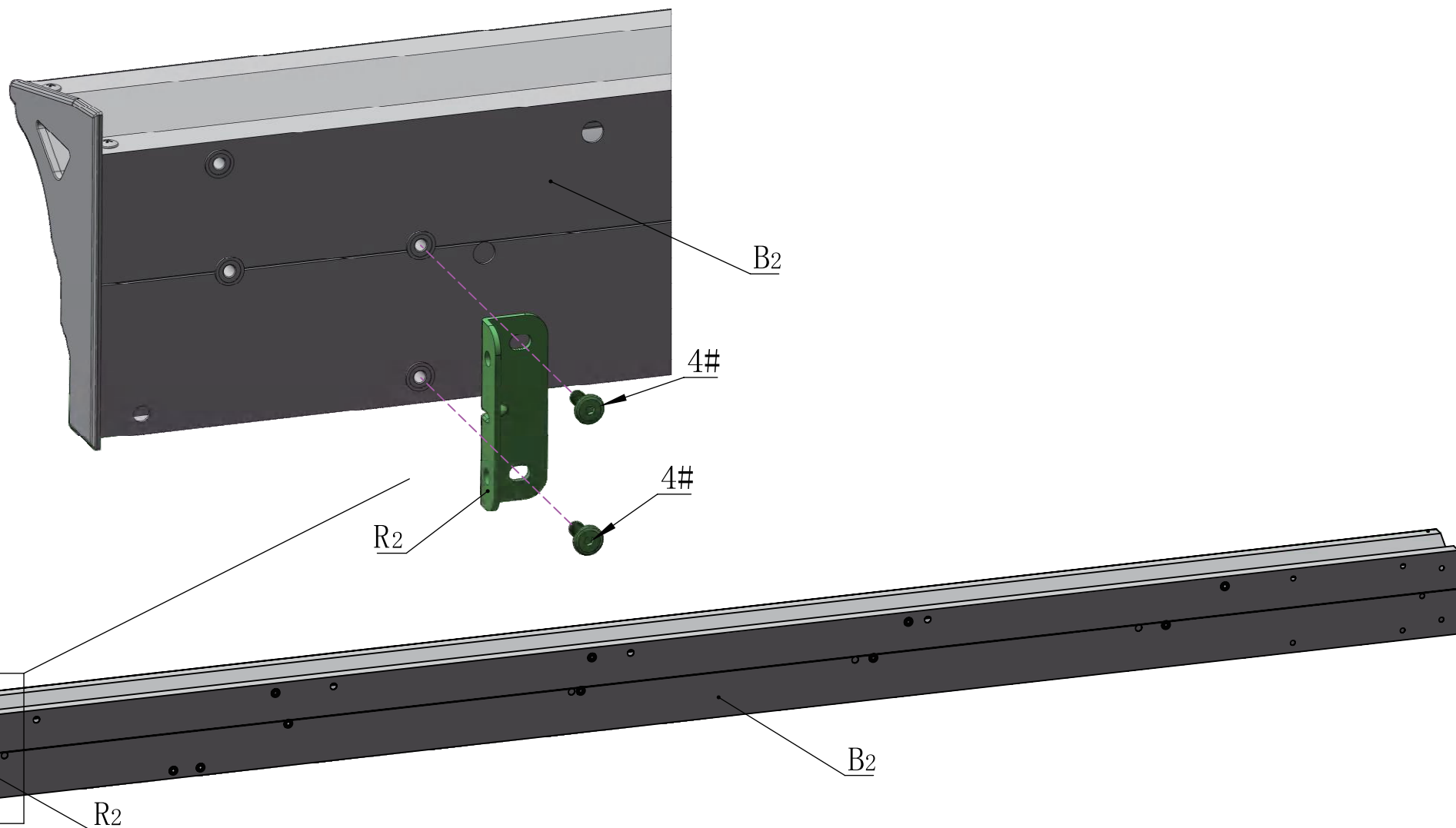
M6\*16

4# 2X



S4

16# 1X



B2

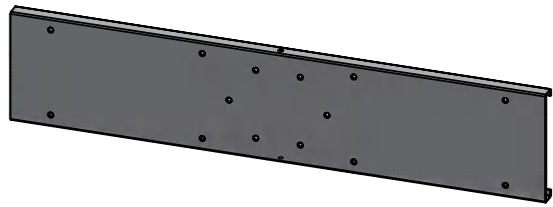
4#

4#

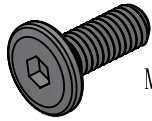
R2

B2

R2

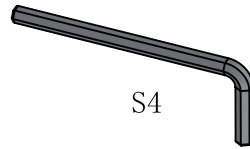


C 1X



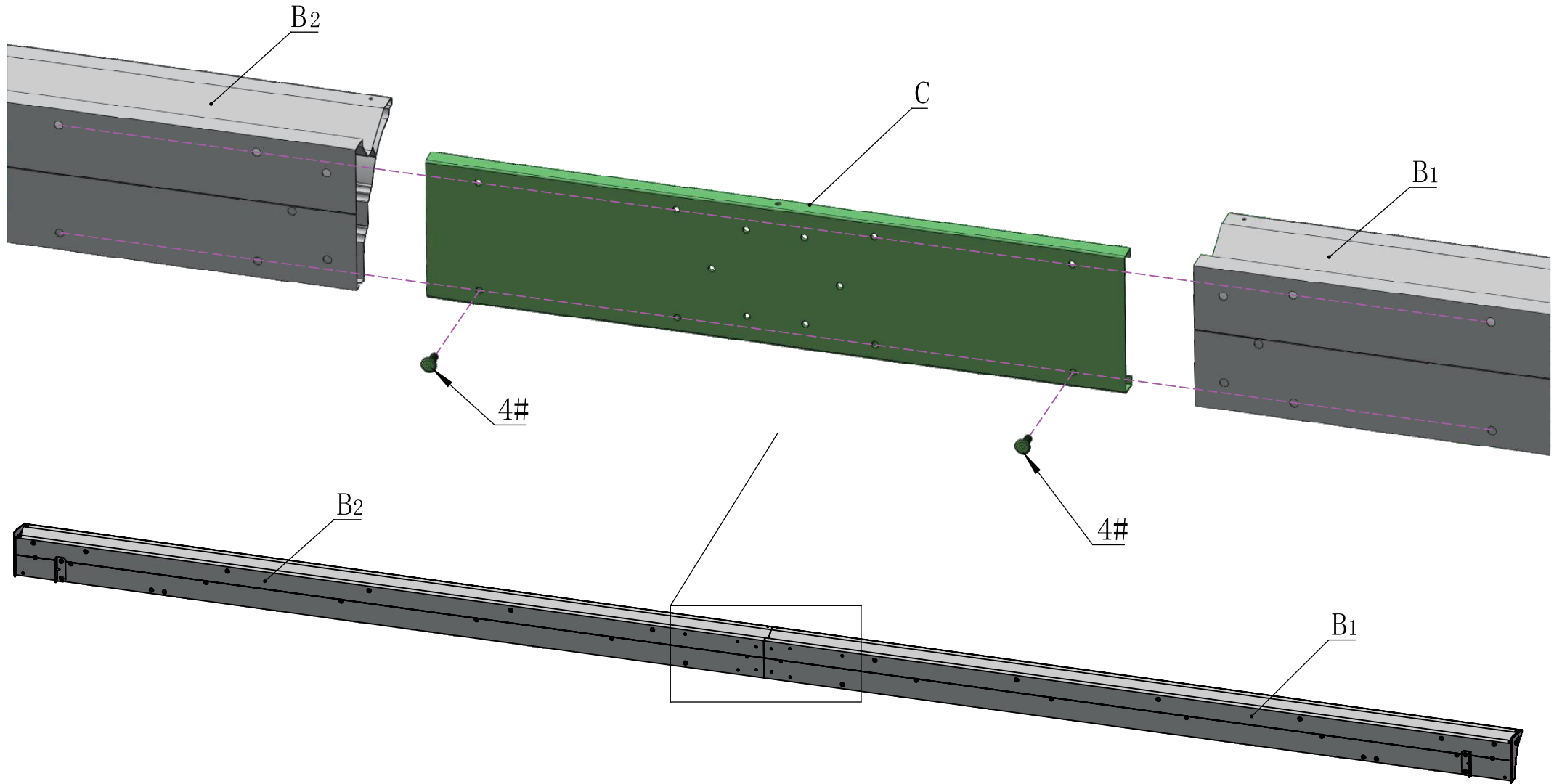
M6\*16

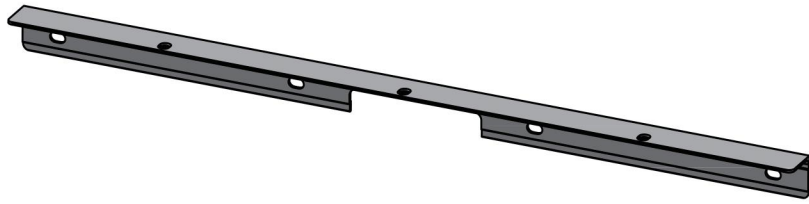
4# 2X



S4

16# 1X

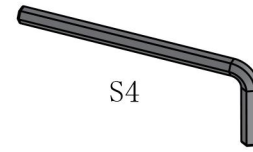




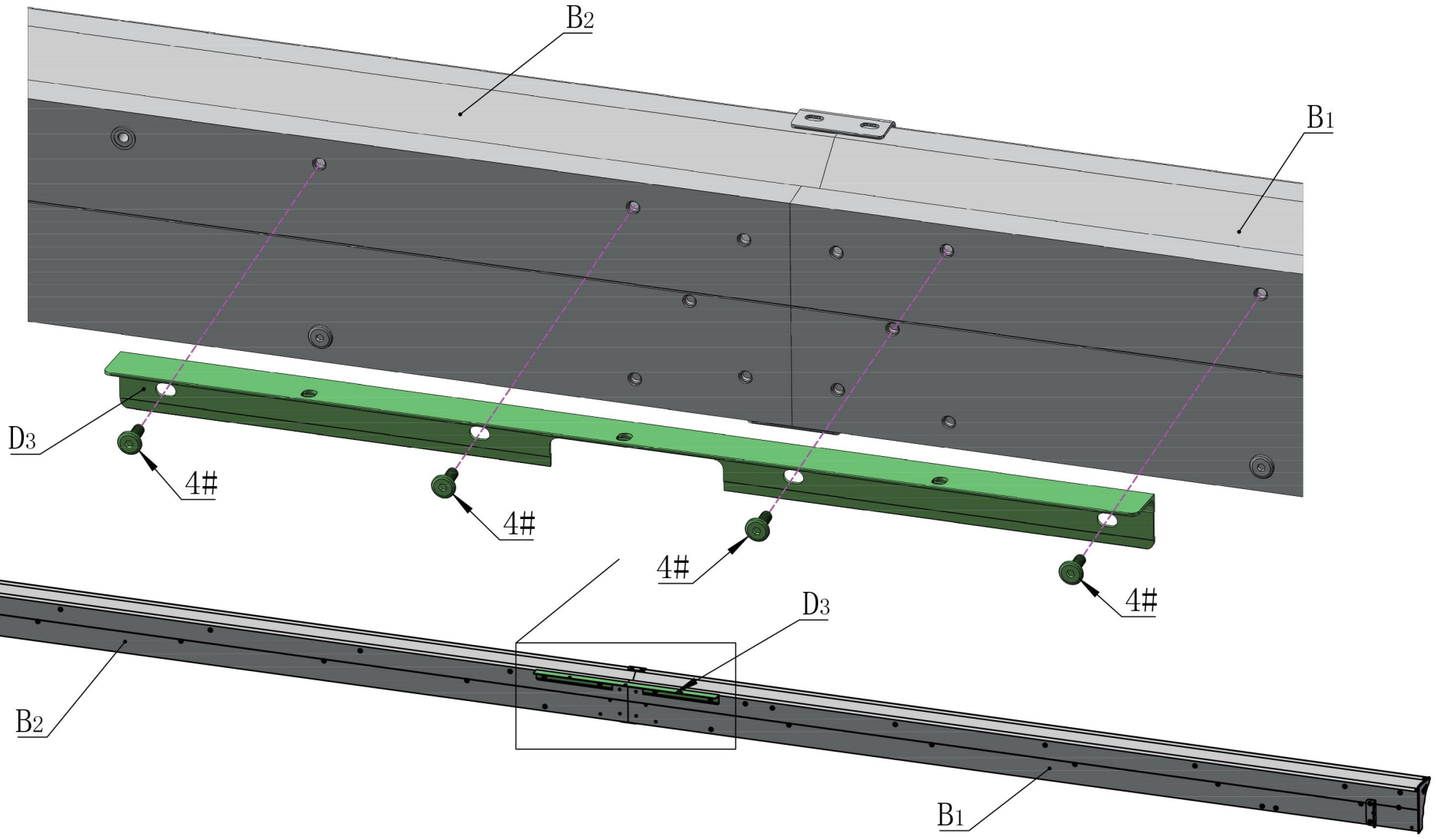
D3 1X

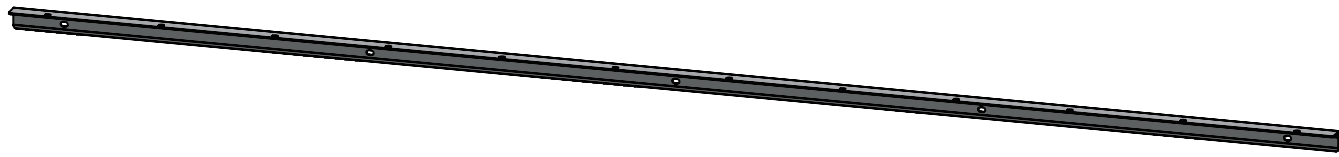


4# 4X

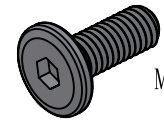


16# 1X





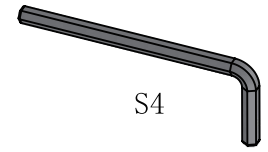
D2 2X



M6\*16

4#

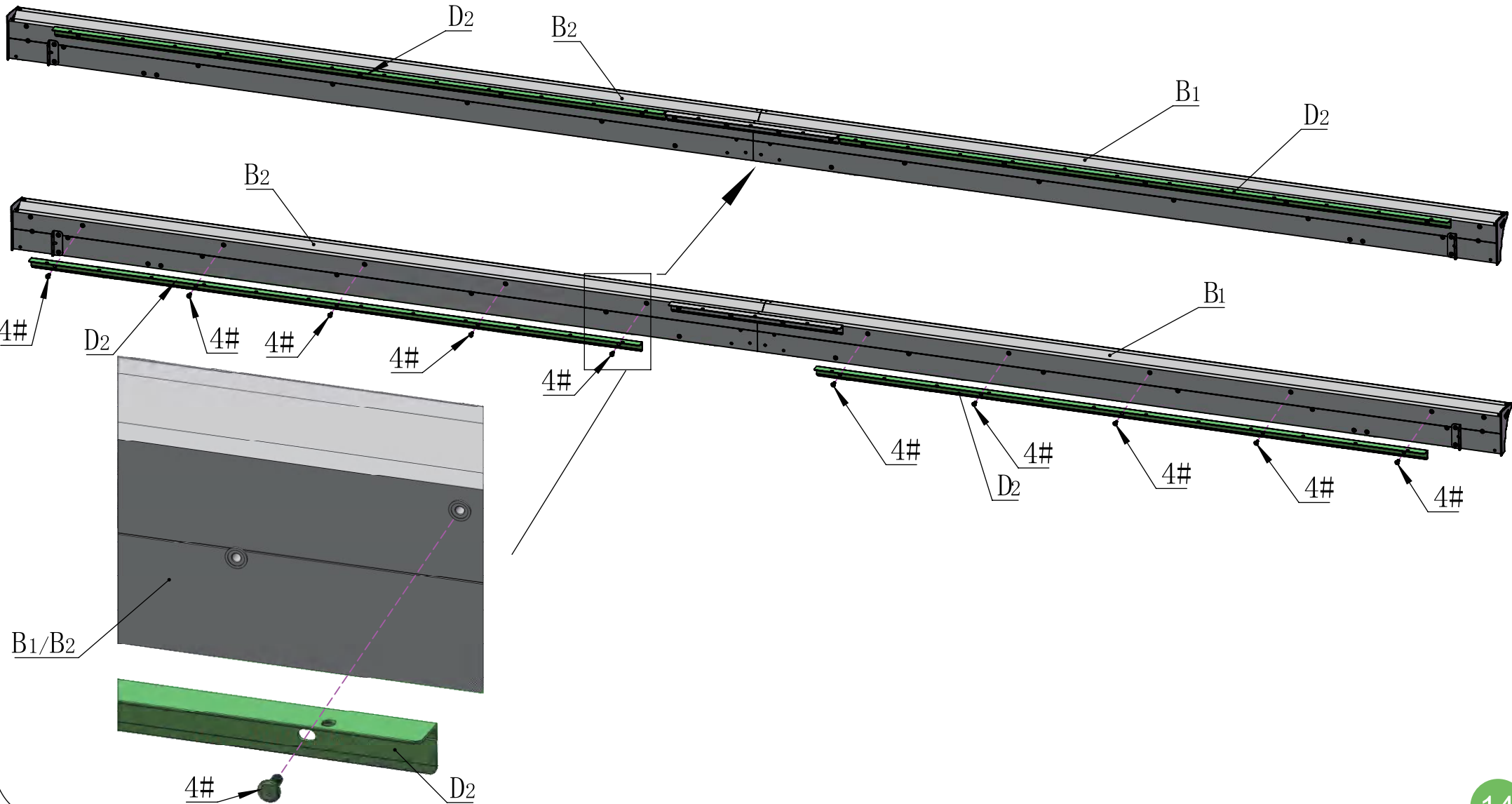
10X

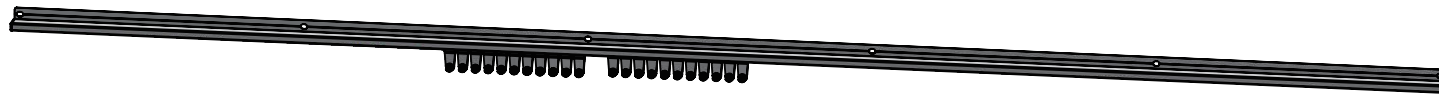


S4

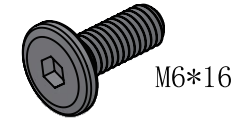
16#

1X

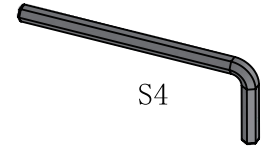




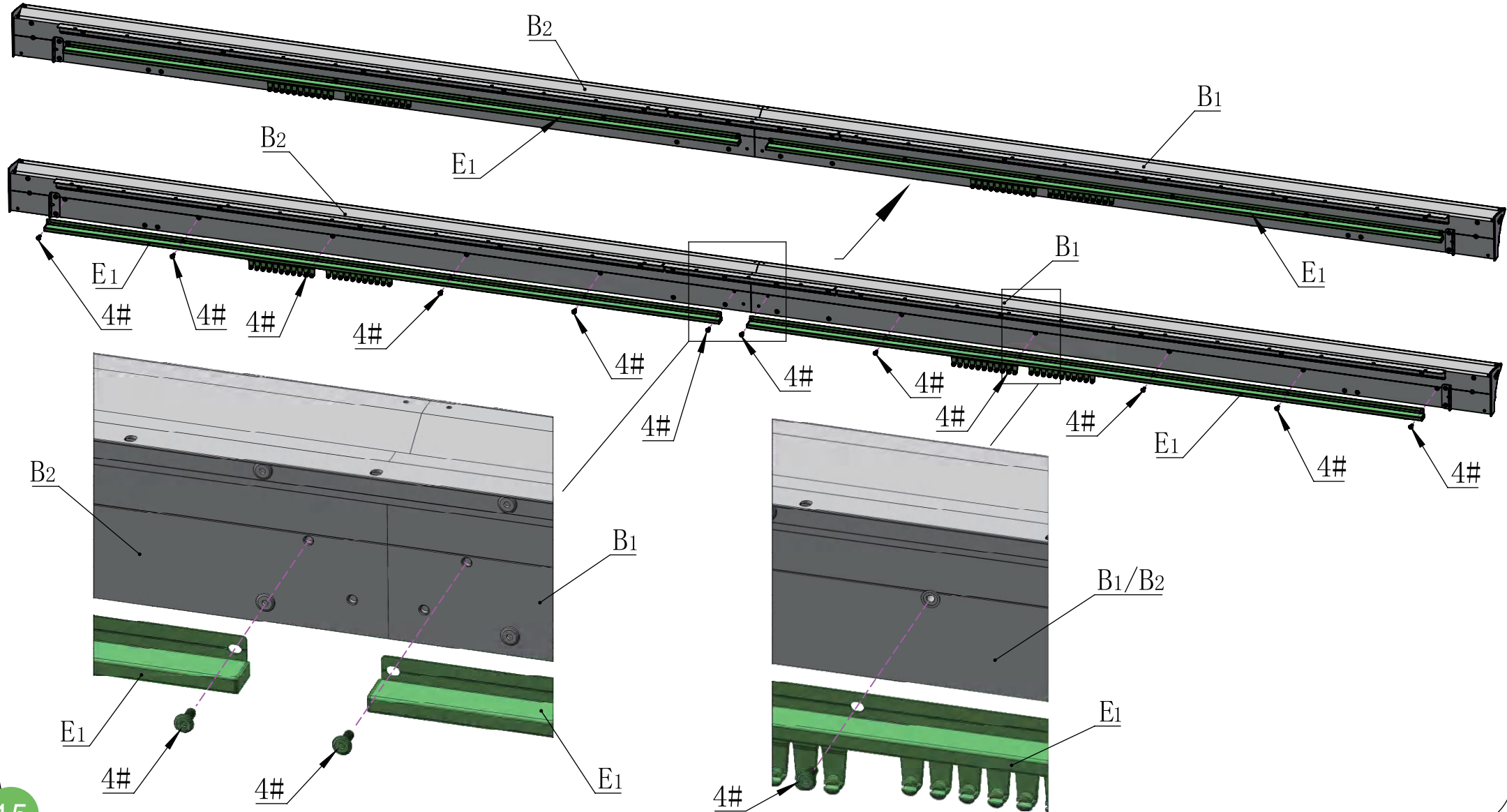
E1 2X



4# 12X



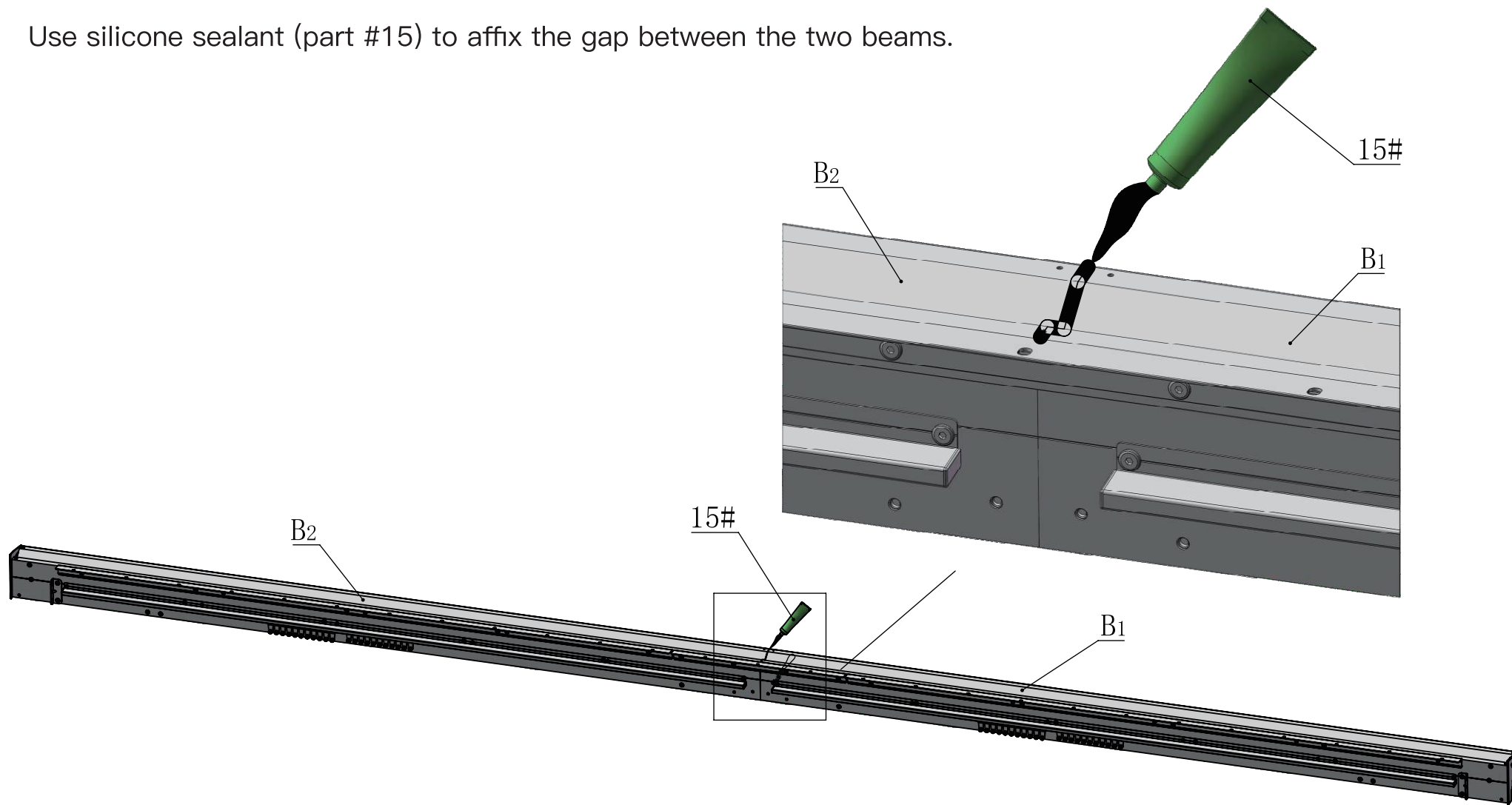
16# 1X

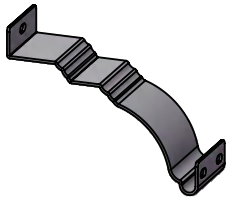




15# 1X

Use silicone sealant (part #15) to affix the gap between the two beams.





W3 1X



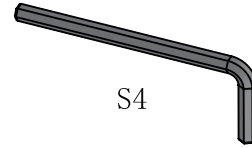
ST4.8\*13

1# 2X



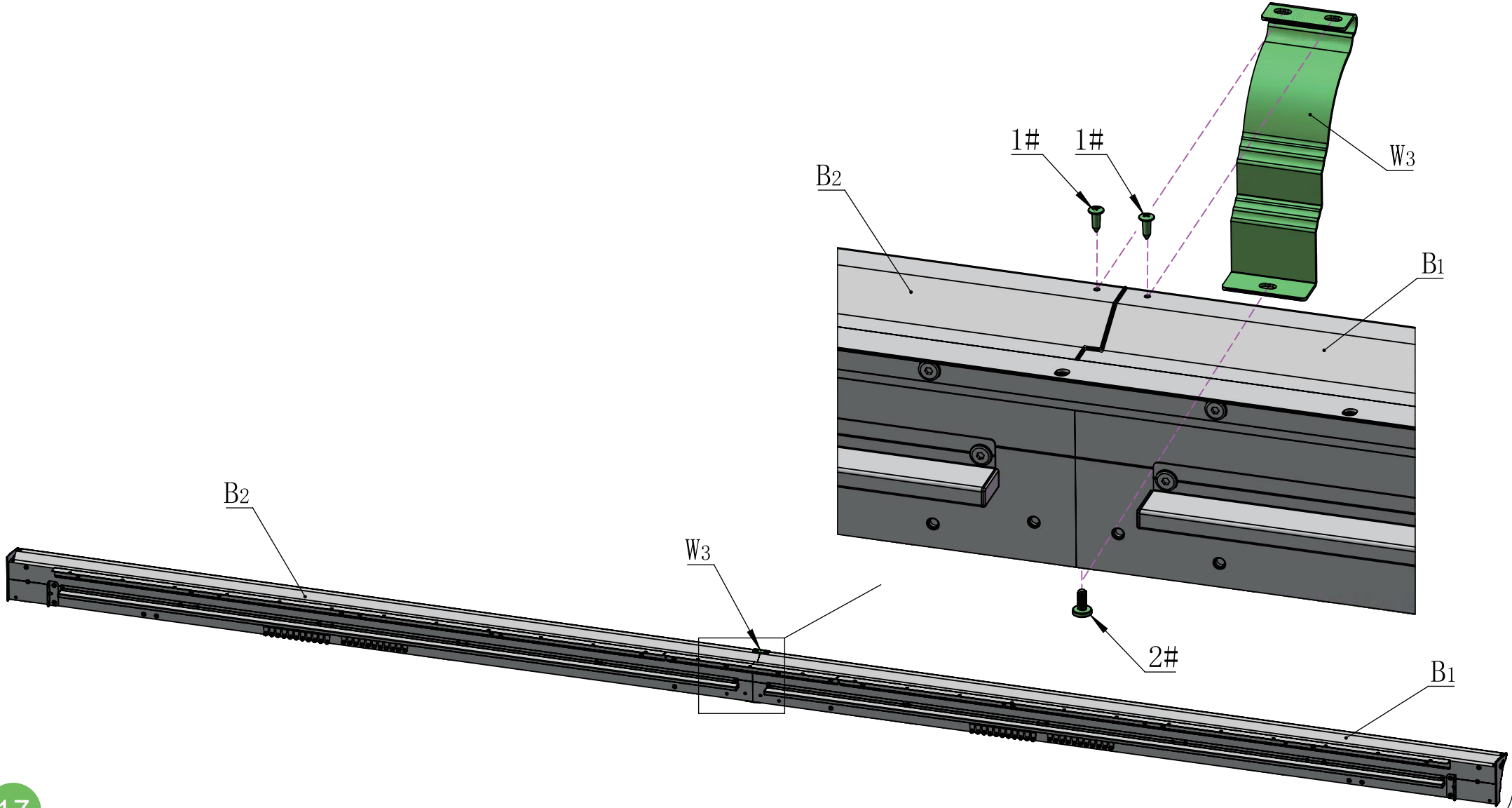
M5\*12

2# 1X

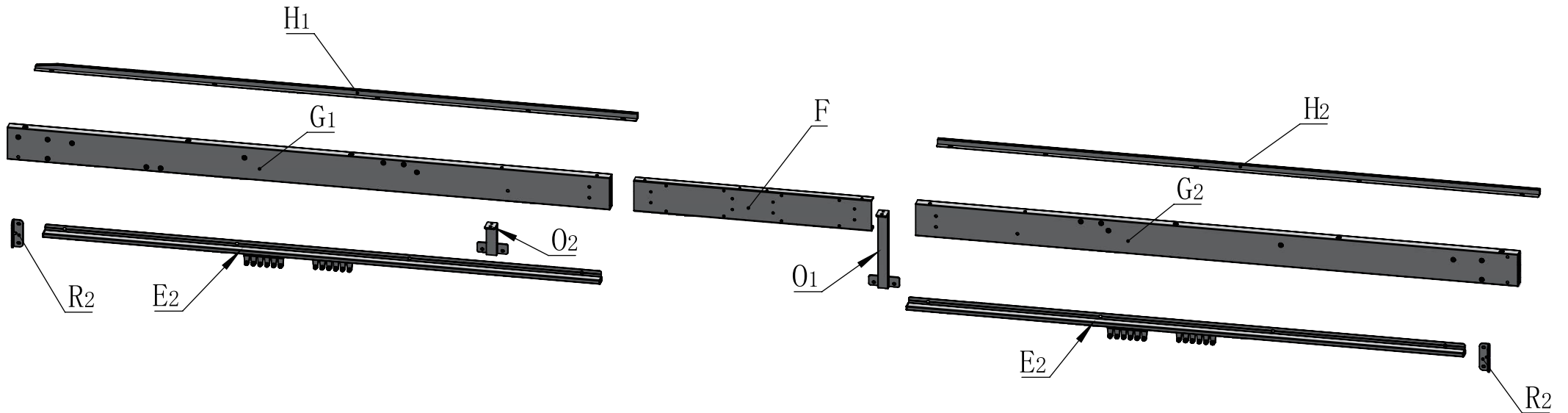
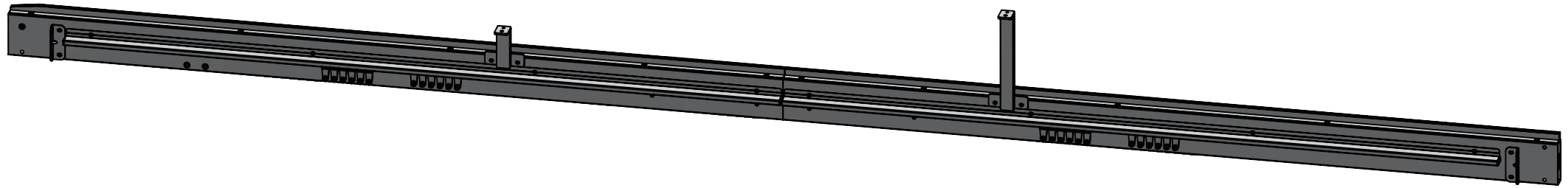


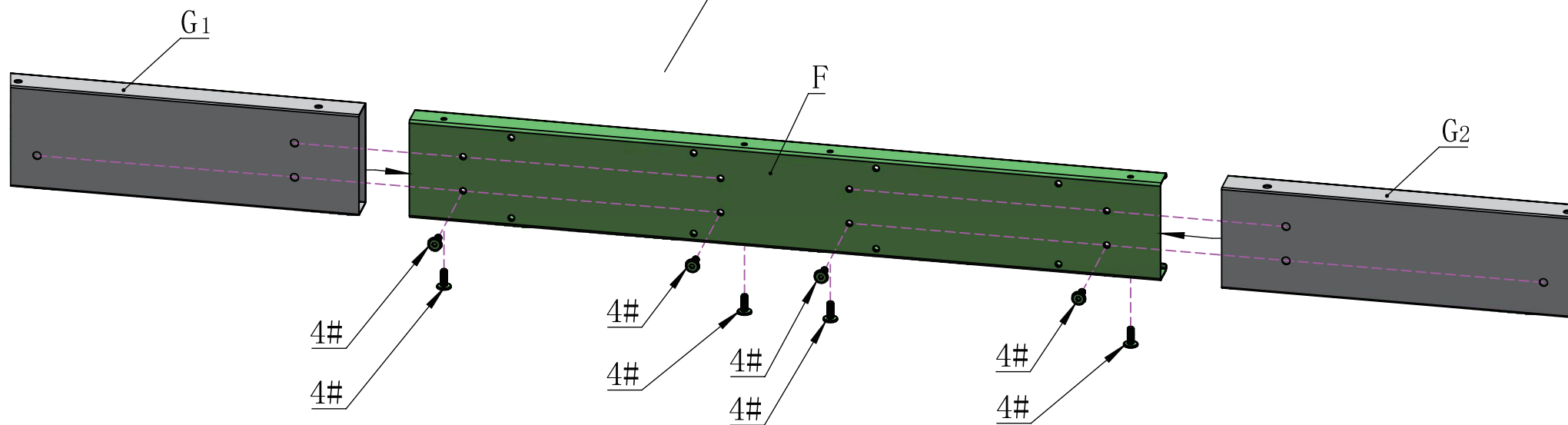
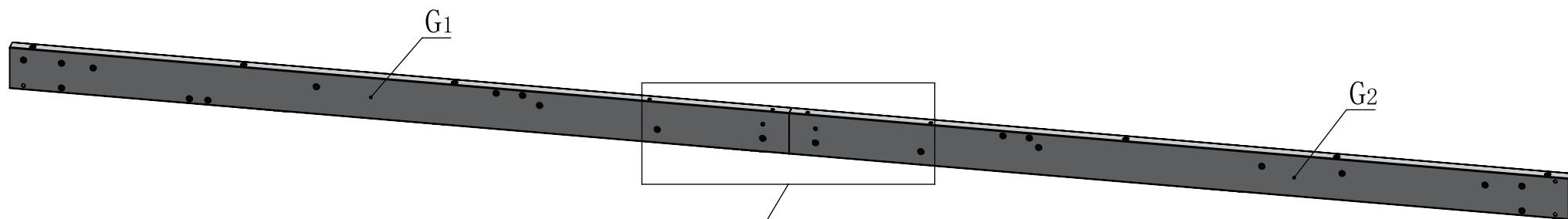
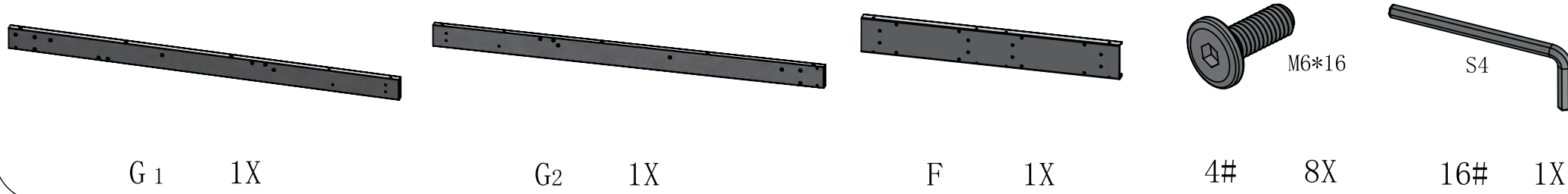
S4

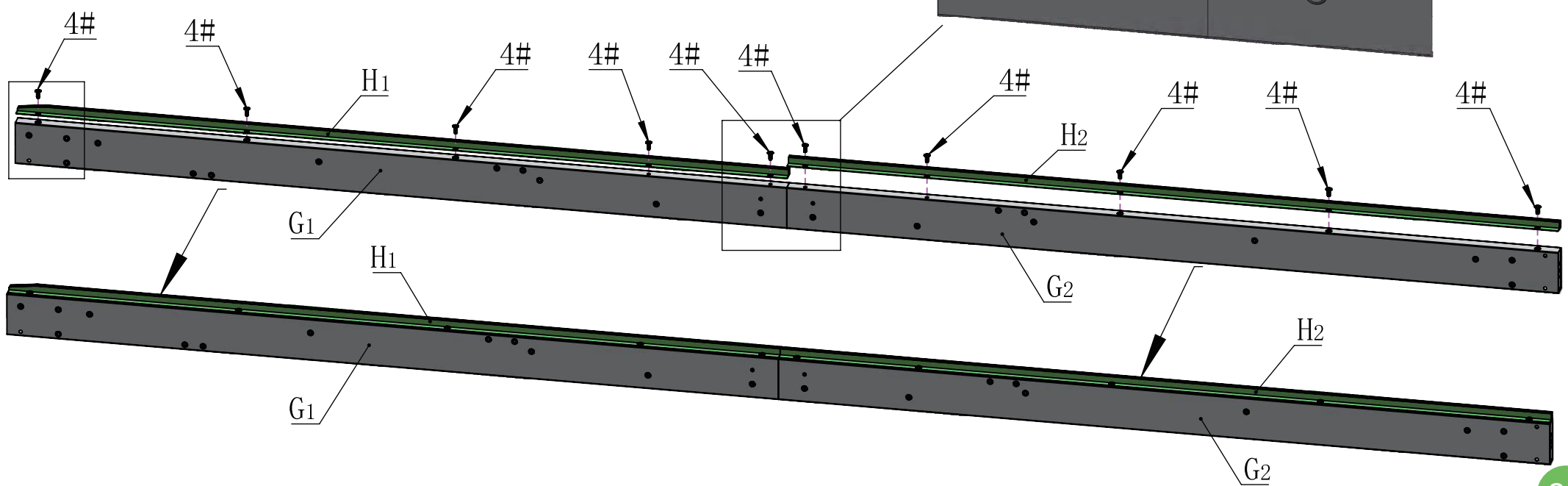
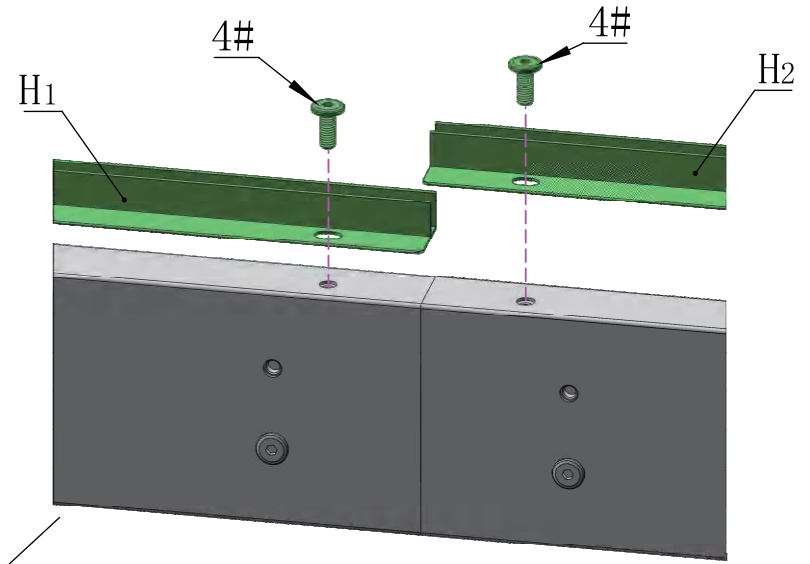
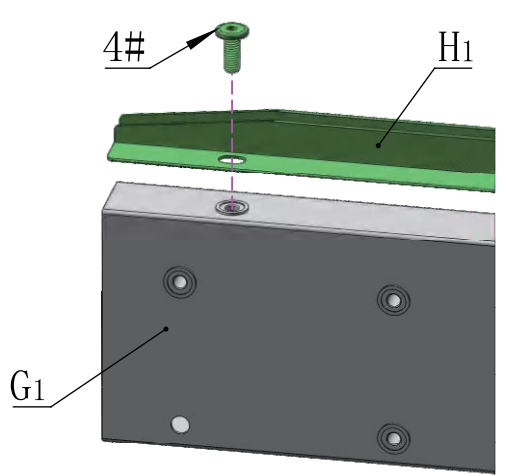
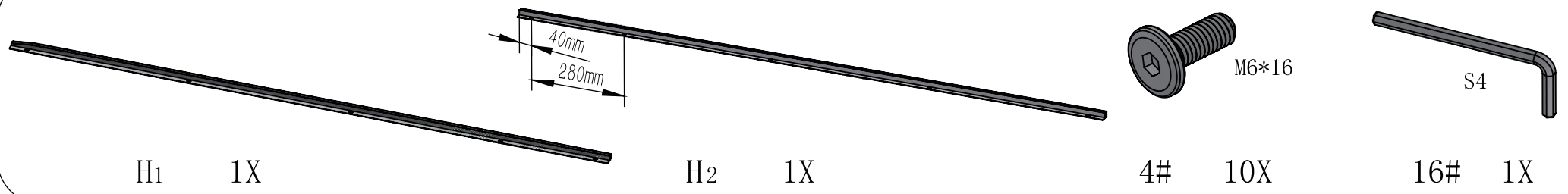
16# 1X

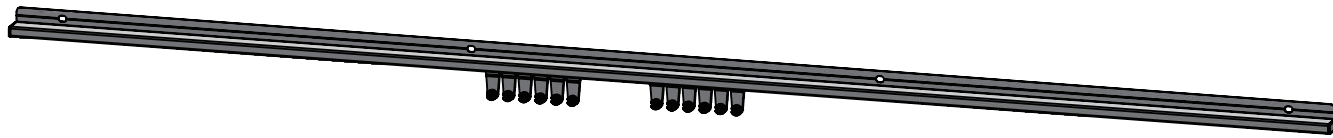


# Side Beam Assembly

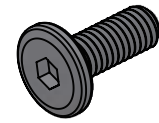






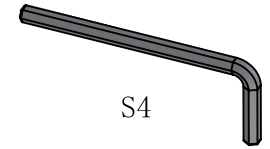


E2 2X



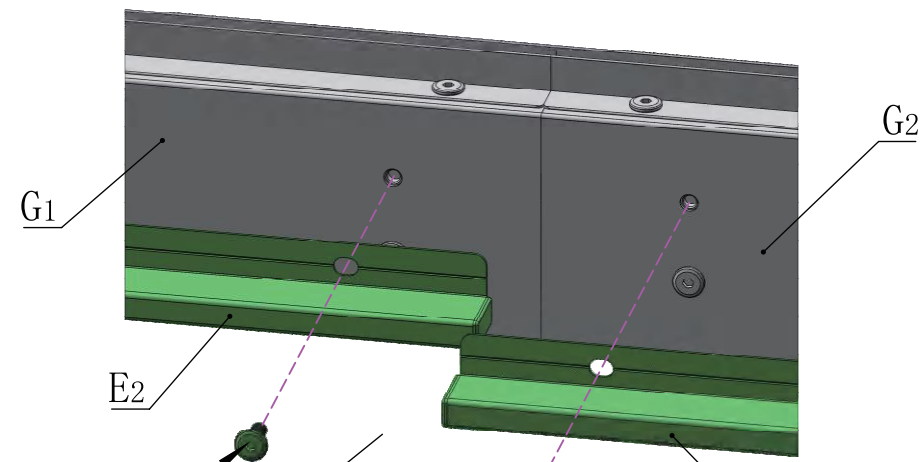
M6\*16

4# 8X



S4

16# 1X



G1

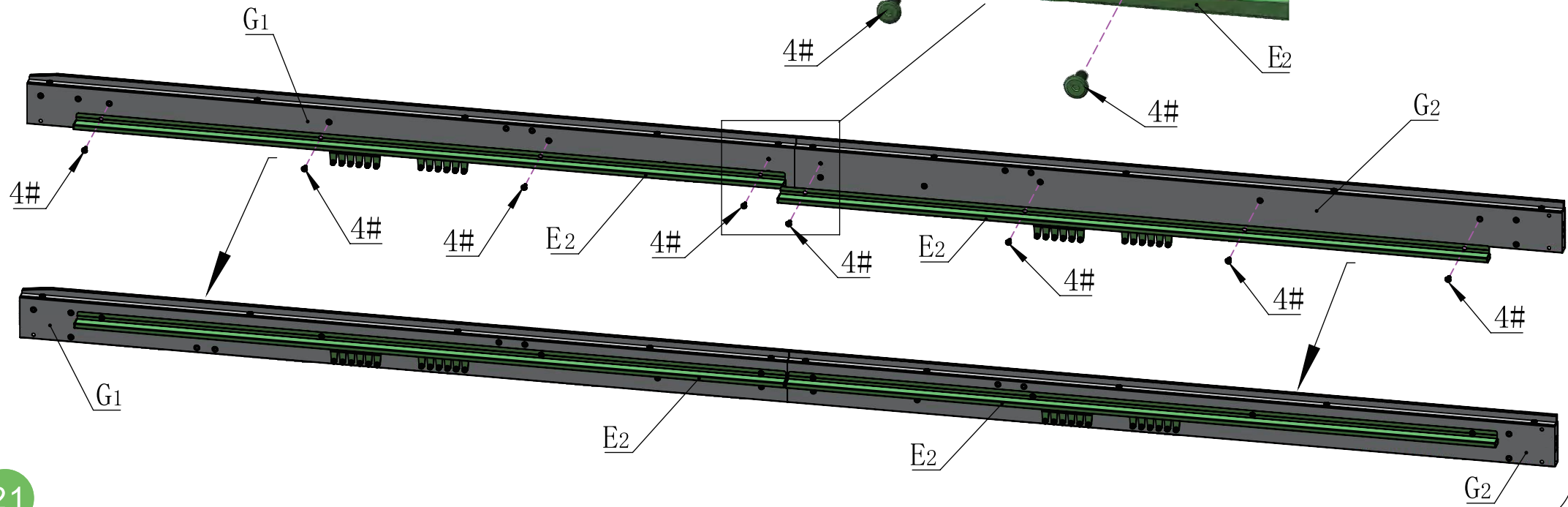
G2

E2

4#

E2

4#



G1

G2

4#

4#

4#

E2

4#

4#

E2

4#

4#

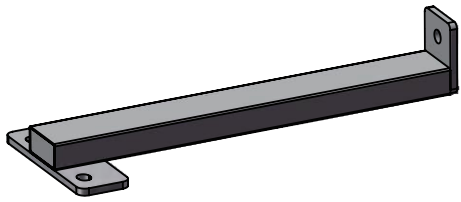
4#

G1

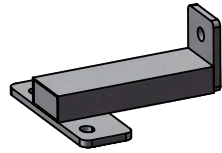
E2

E2

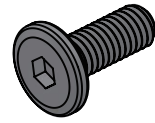
G2



01 1X

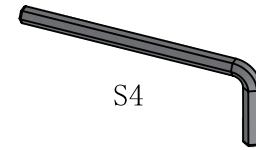


02 1X



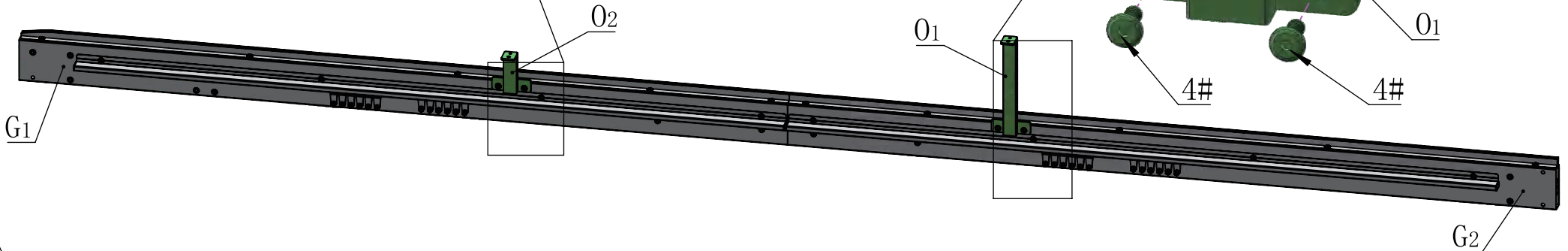
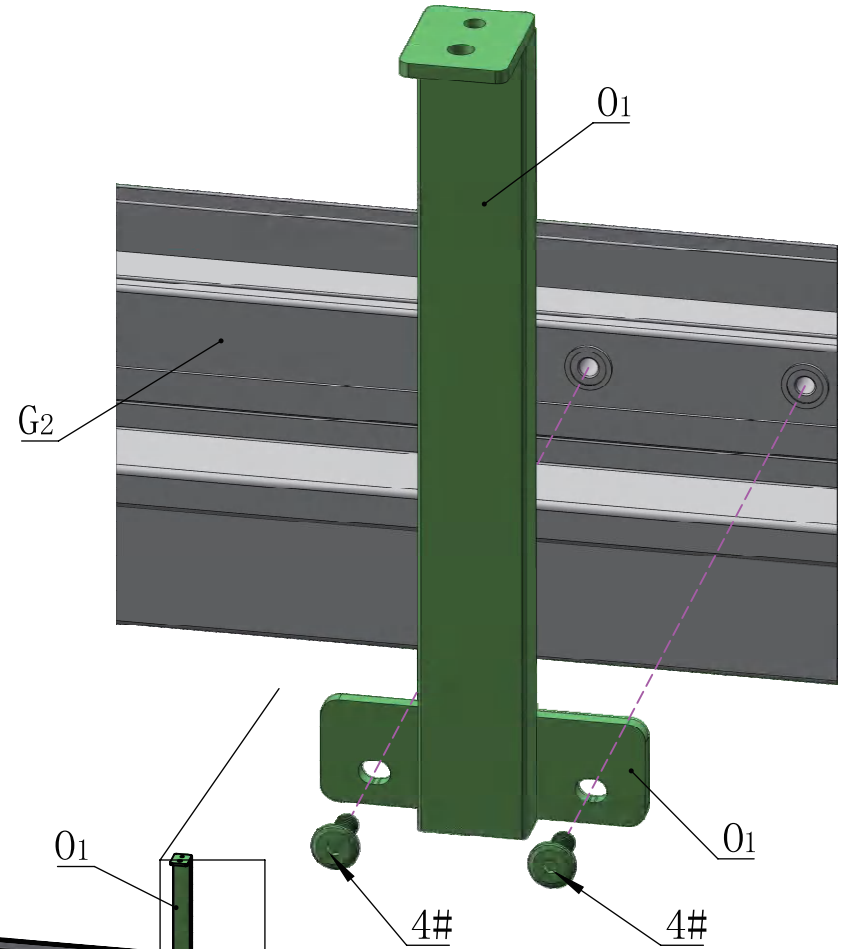
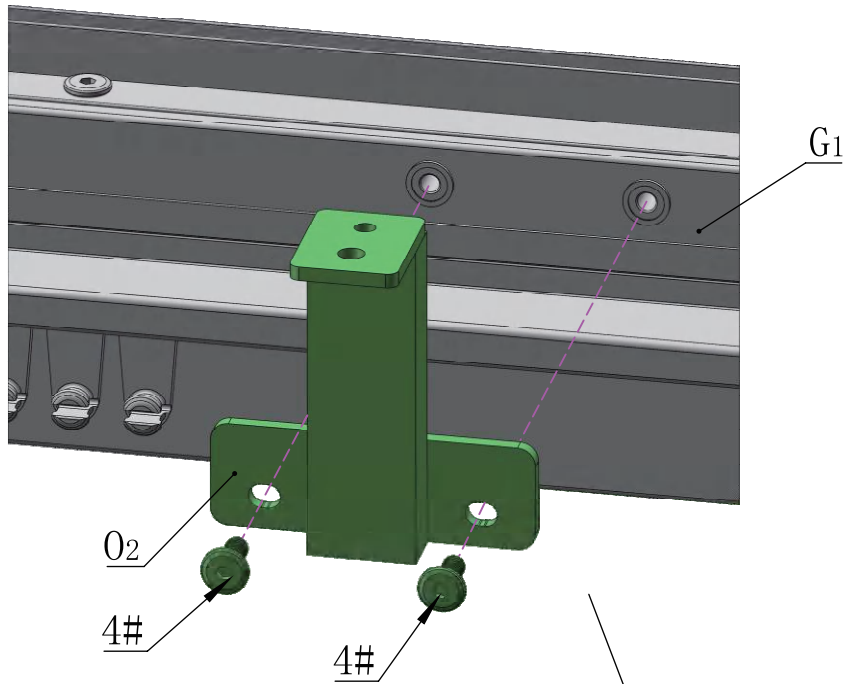
4# 4X

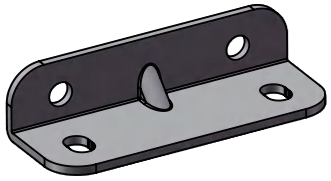
M6\*16



16# 1X

S4



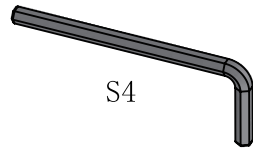


R2 2X



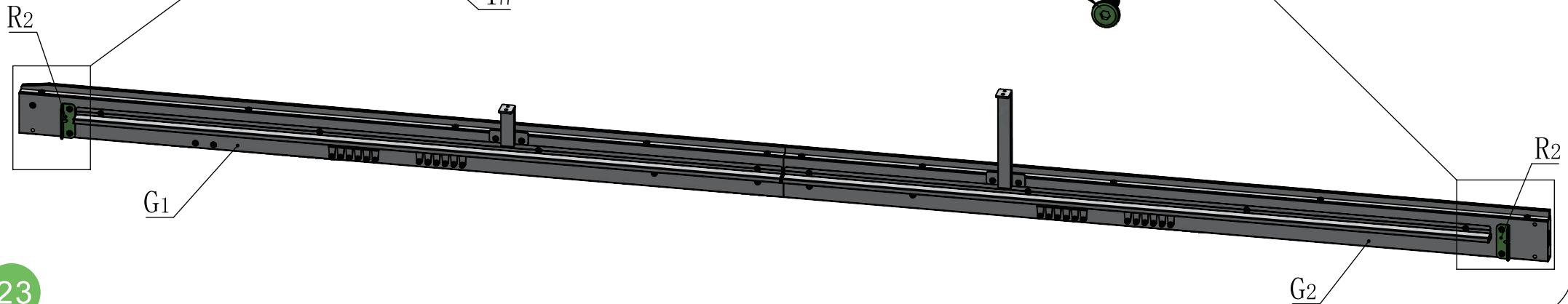
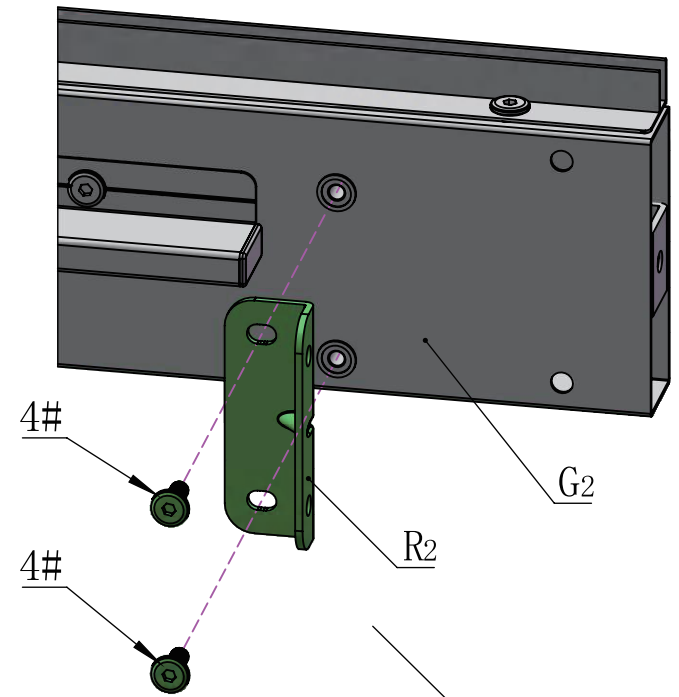
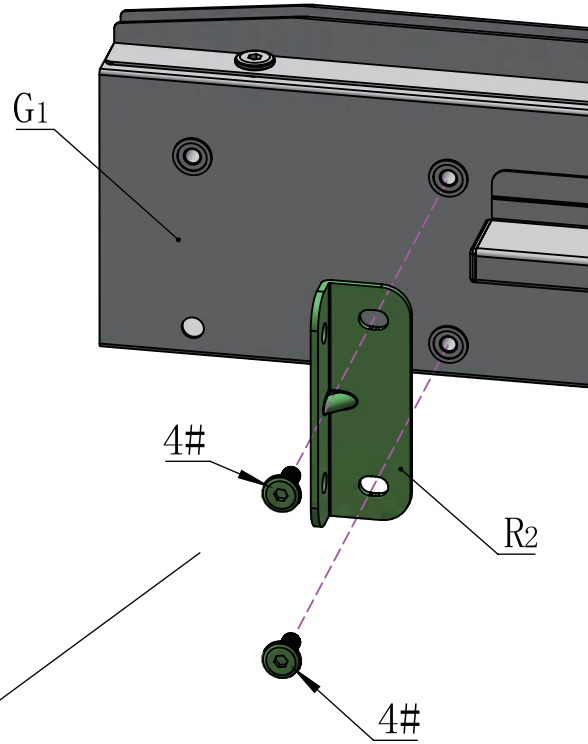
M6\*16

4# 4X

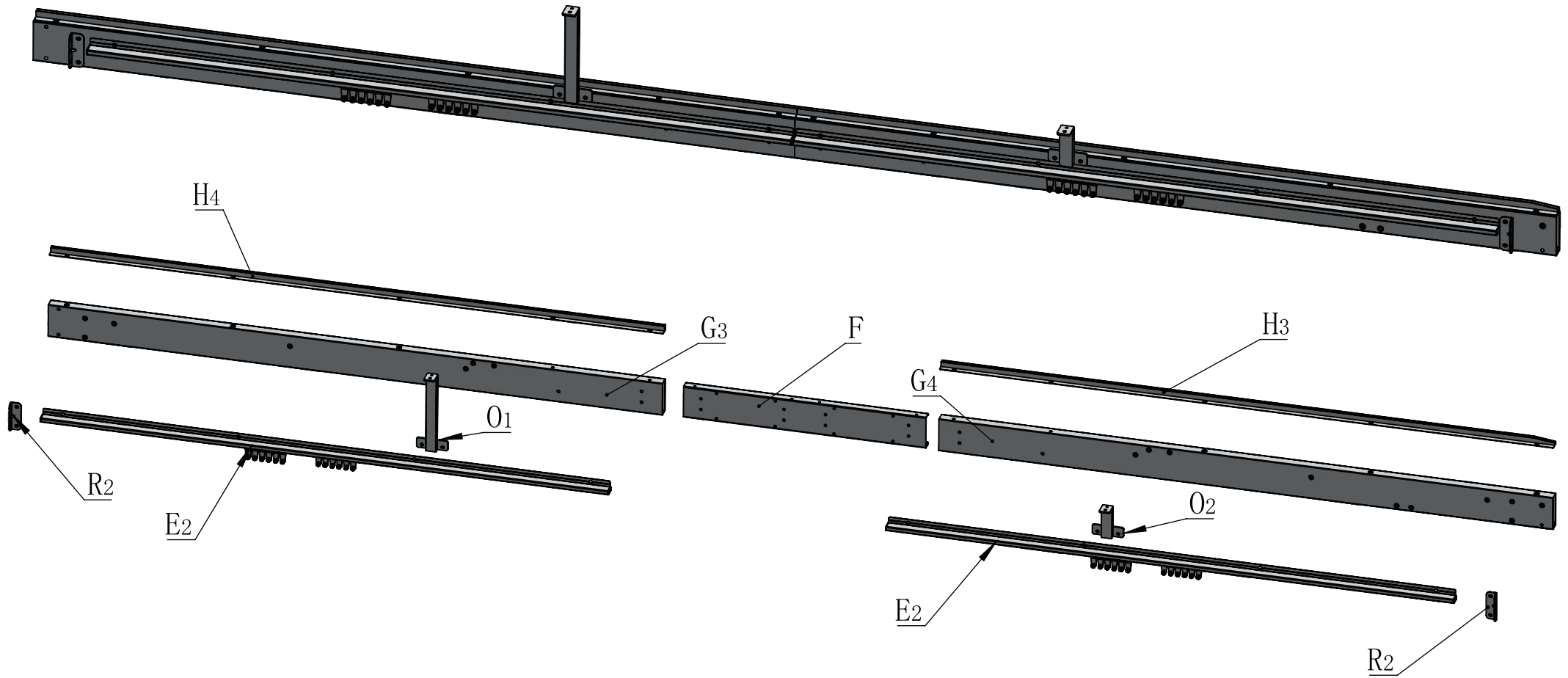


S4

16# 1X

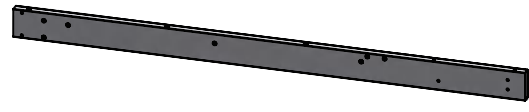


# Side Beam Assembly

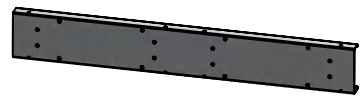




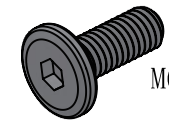
G3 1X



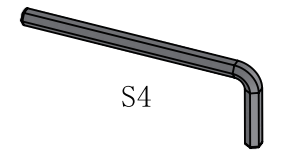
G4 1X



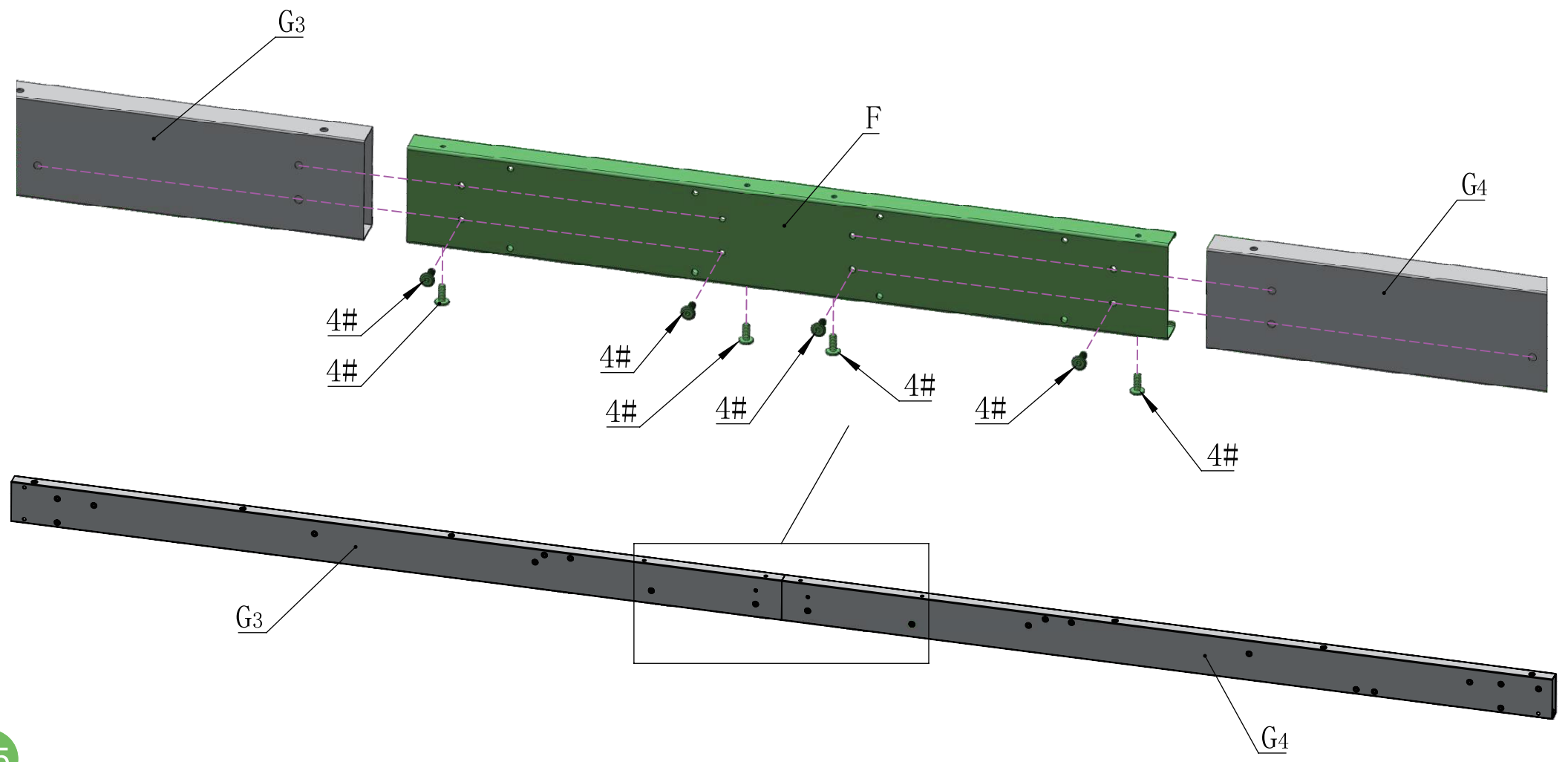
F 1X



M6\*16 4# 8X

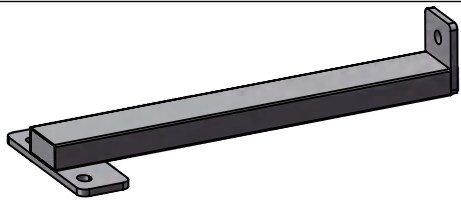


S4 16# 1X

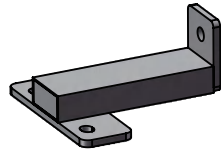




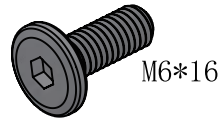




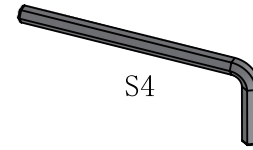
Q1 1X



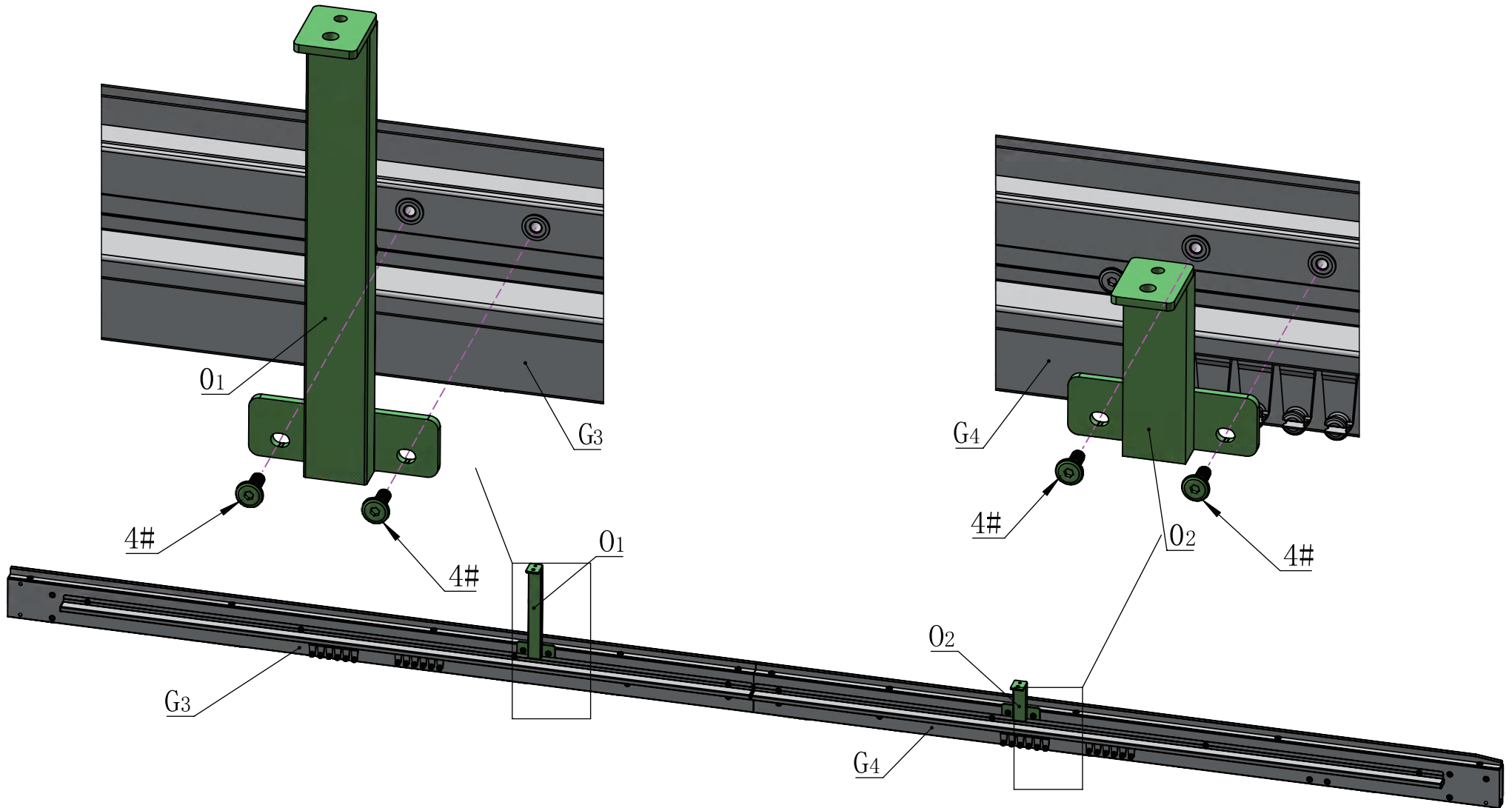
Q2 1X

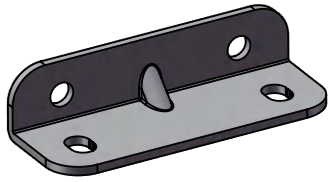


4# 4X

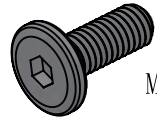


16# 1X



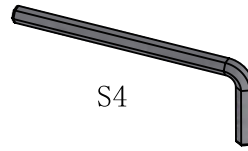


R2 2X



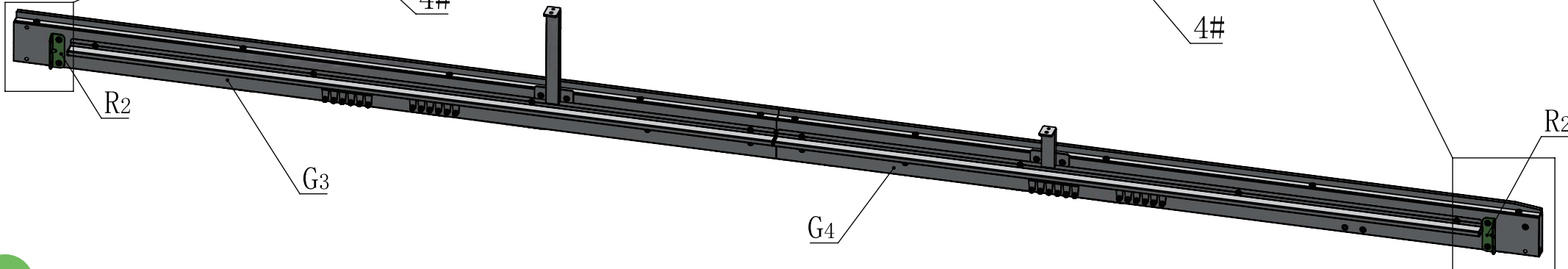
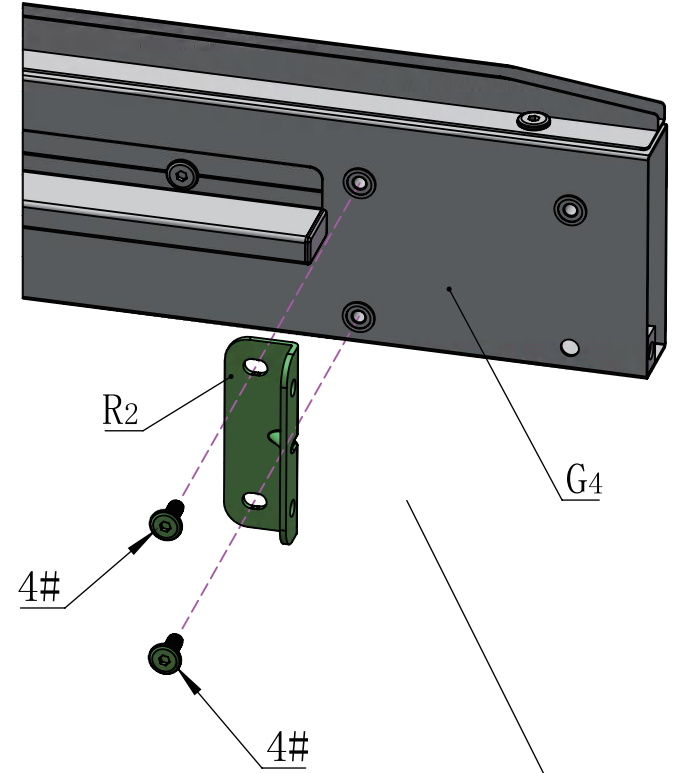
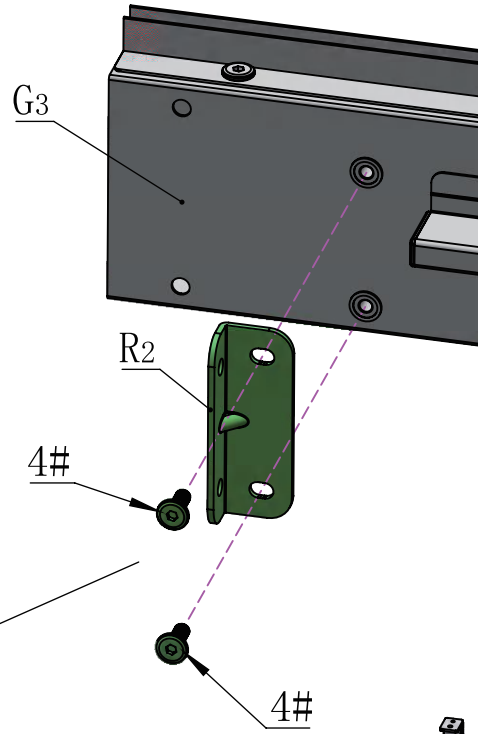
M6\*16

4# 4X

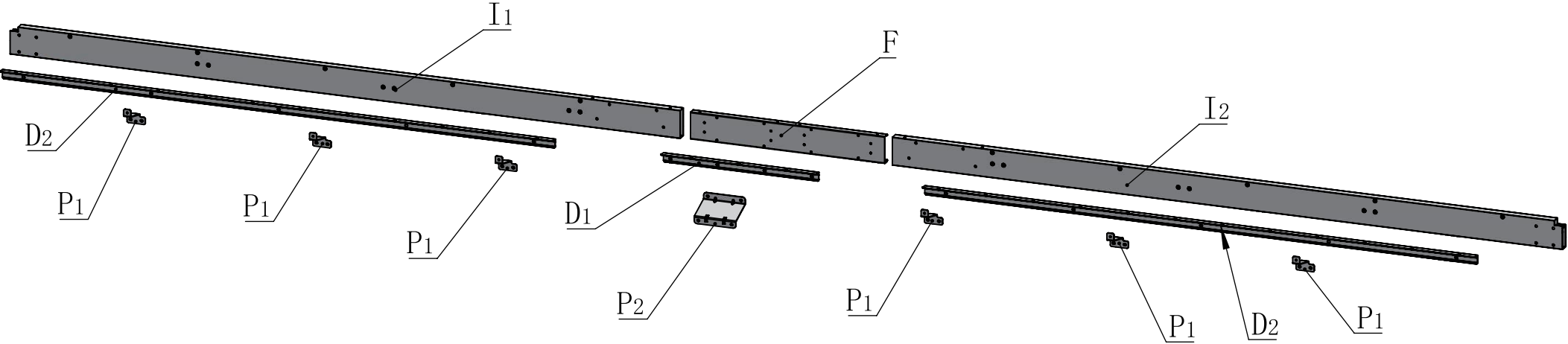
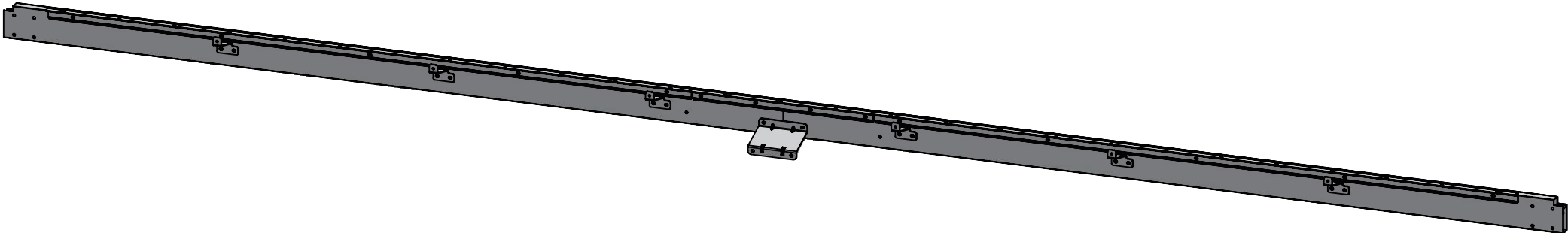


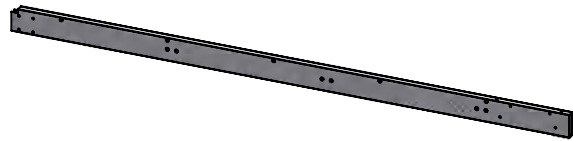
S4

16# 1X

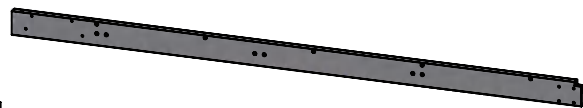


# Rear Beam Assembly





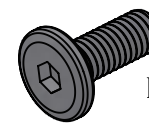
I1 1X



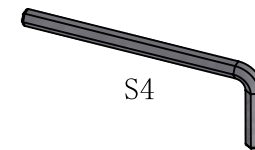
I2 1X



F 1X

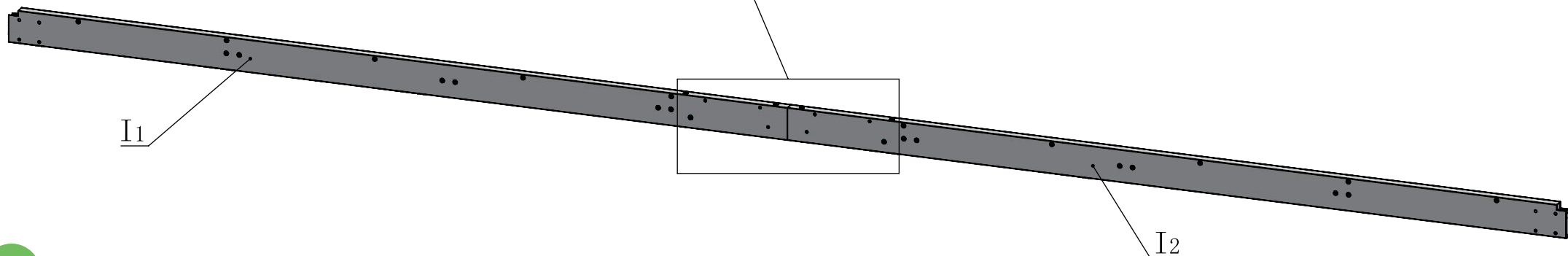
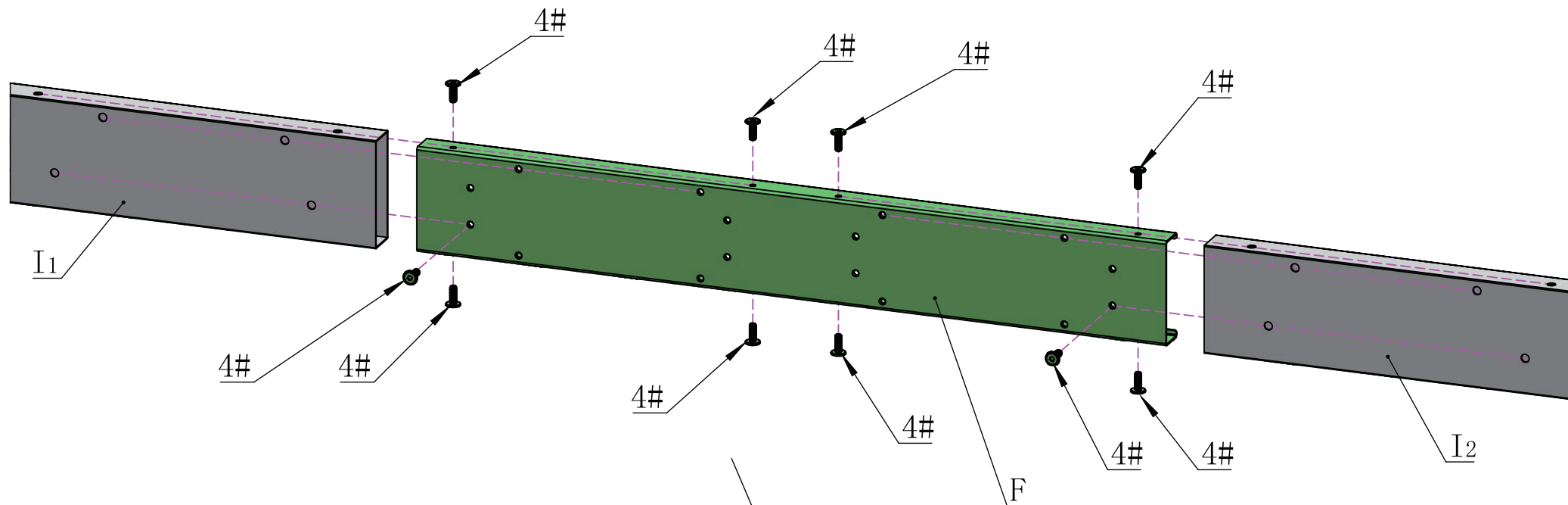


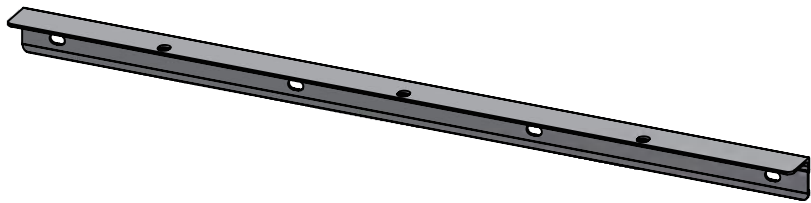
M6\*16



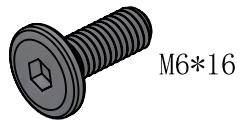
S4

16# 1X



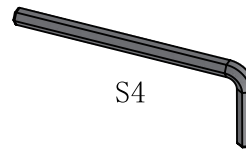


D1 1X



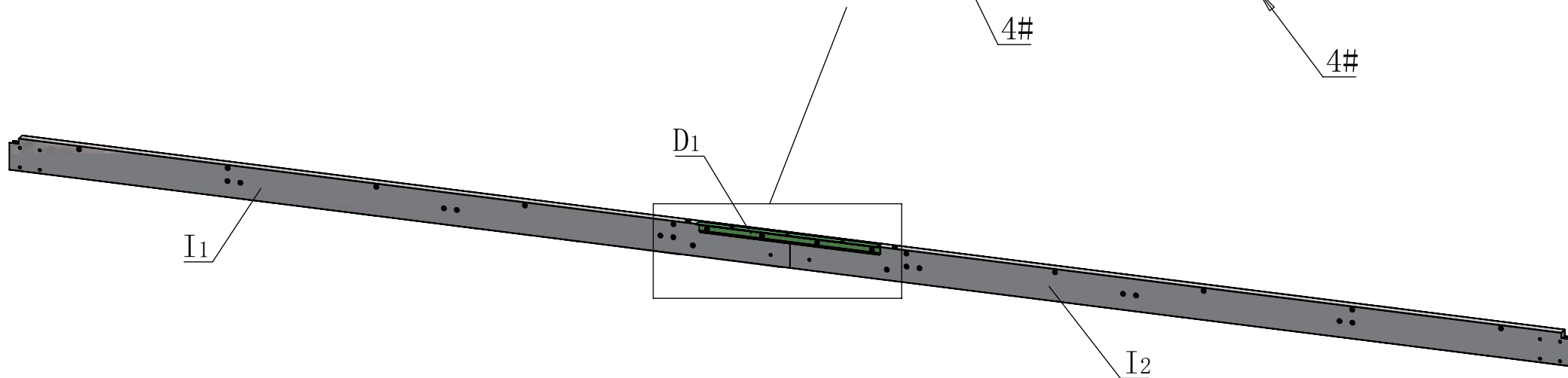
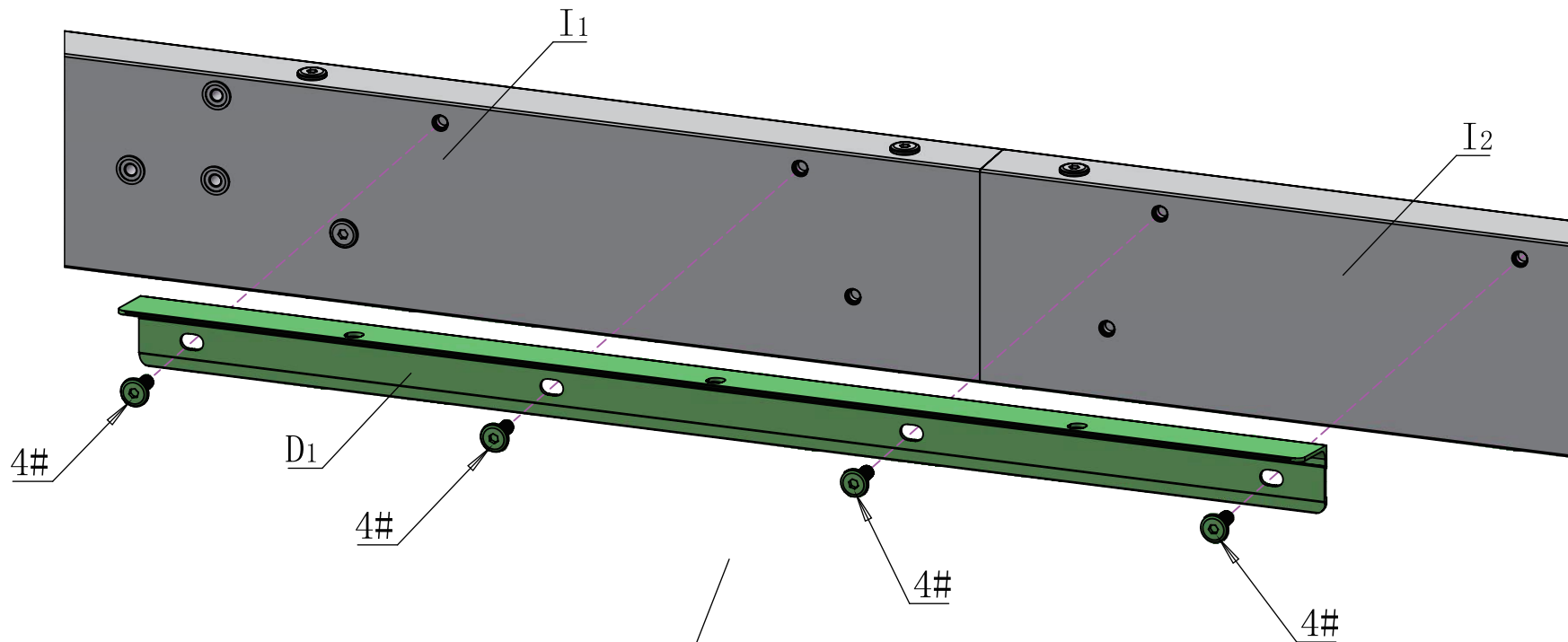
M6\*16

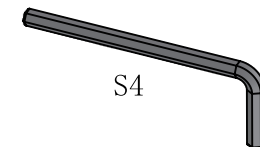
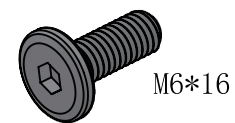
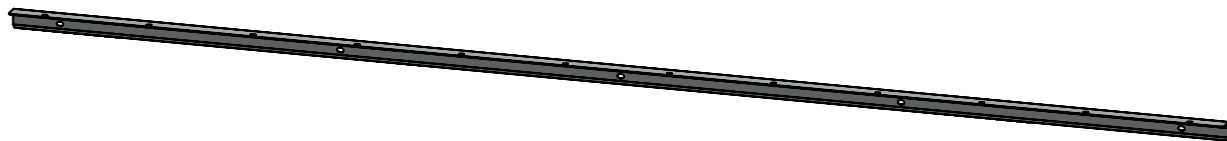
4# 4X



S4

16# 1X

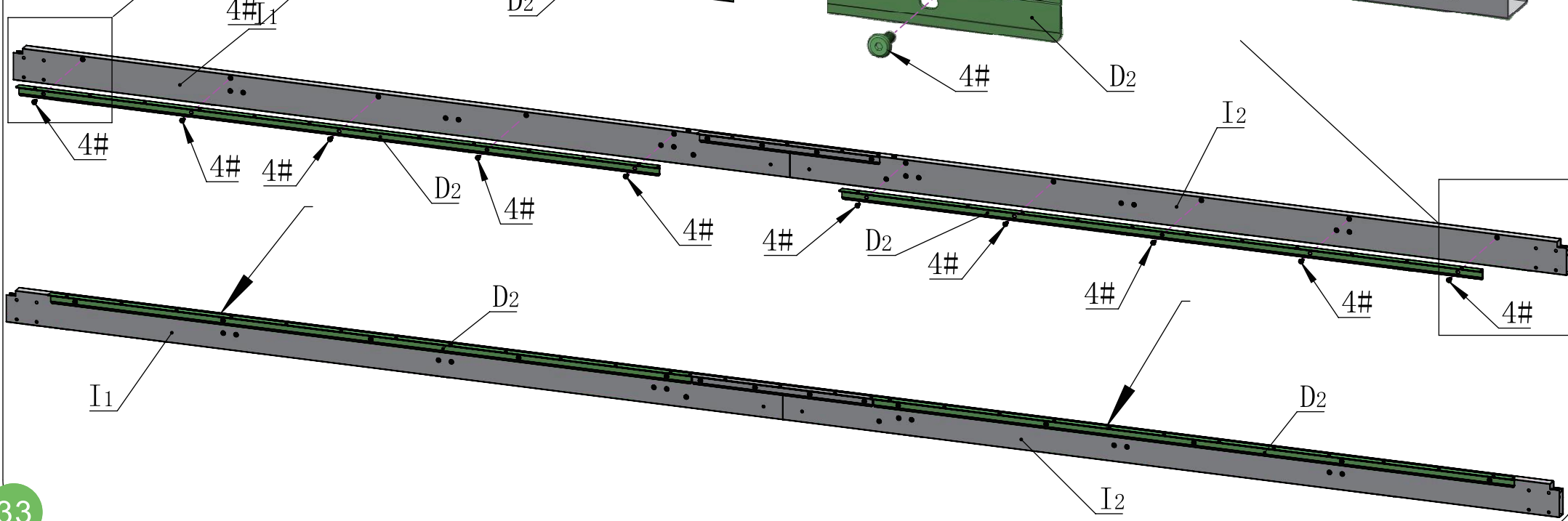
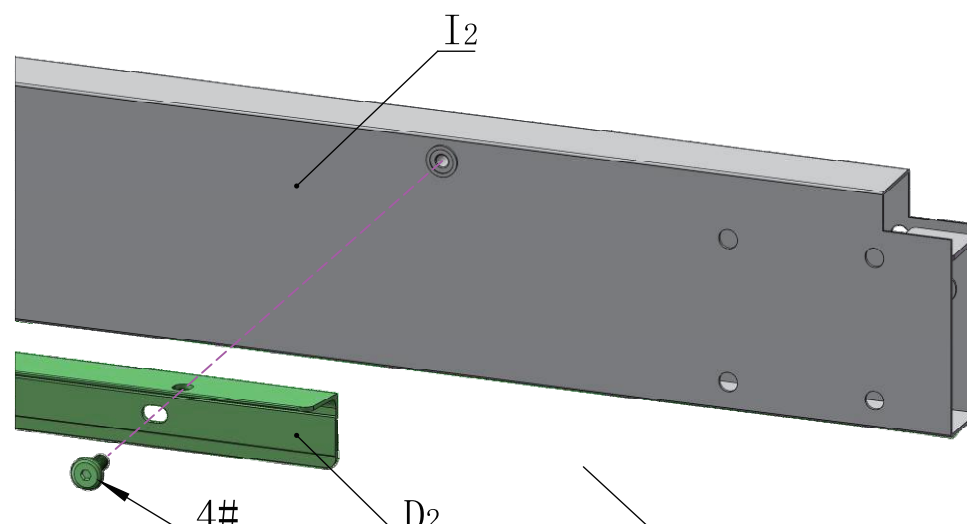
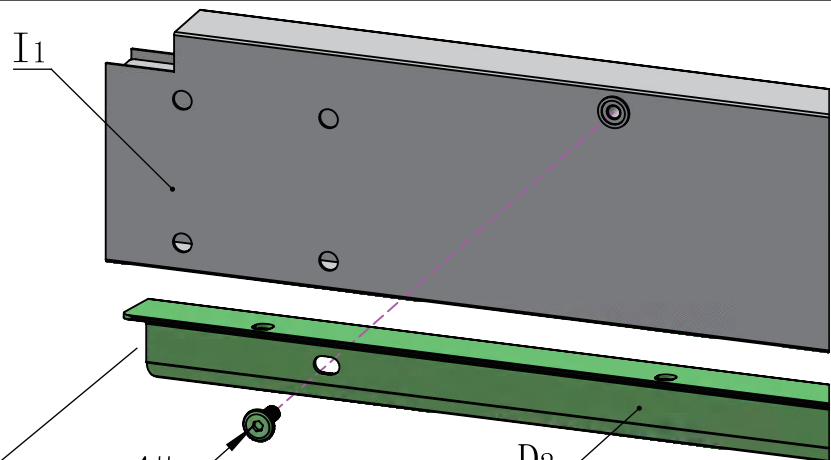


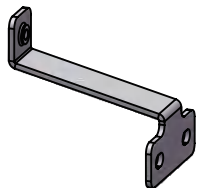


D2 2X

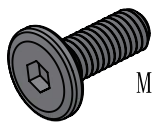
4# 10X

16# 1X



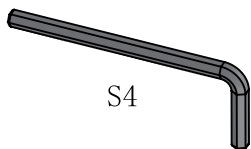


P1 6X



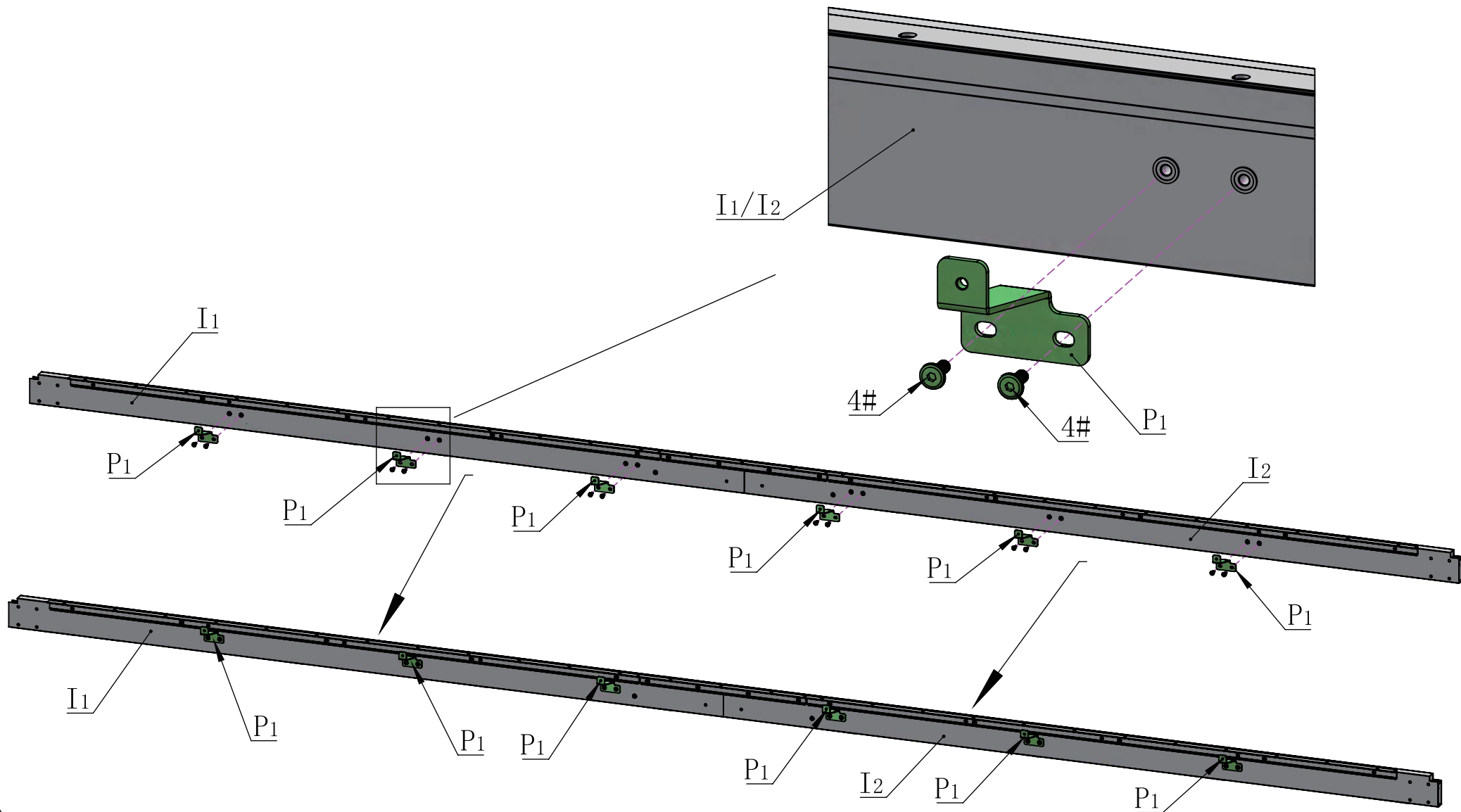
M6\*16

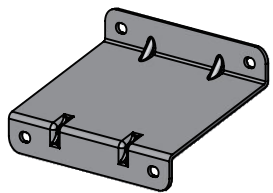
4# 12X



S4

16# 1X



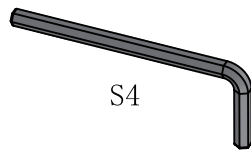


P2 1X



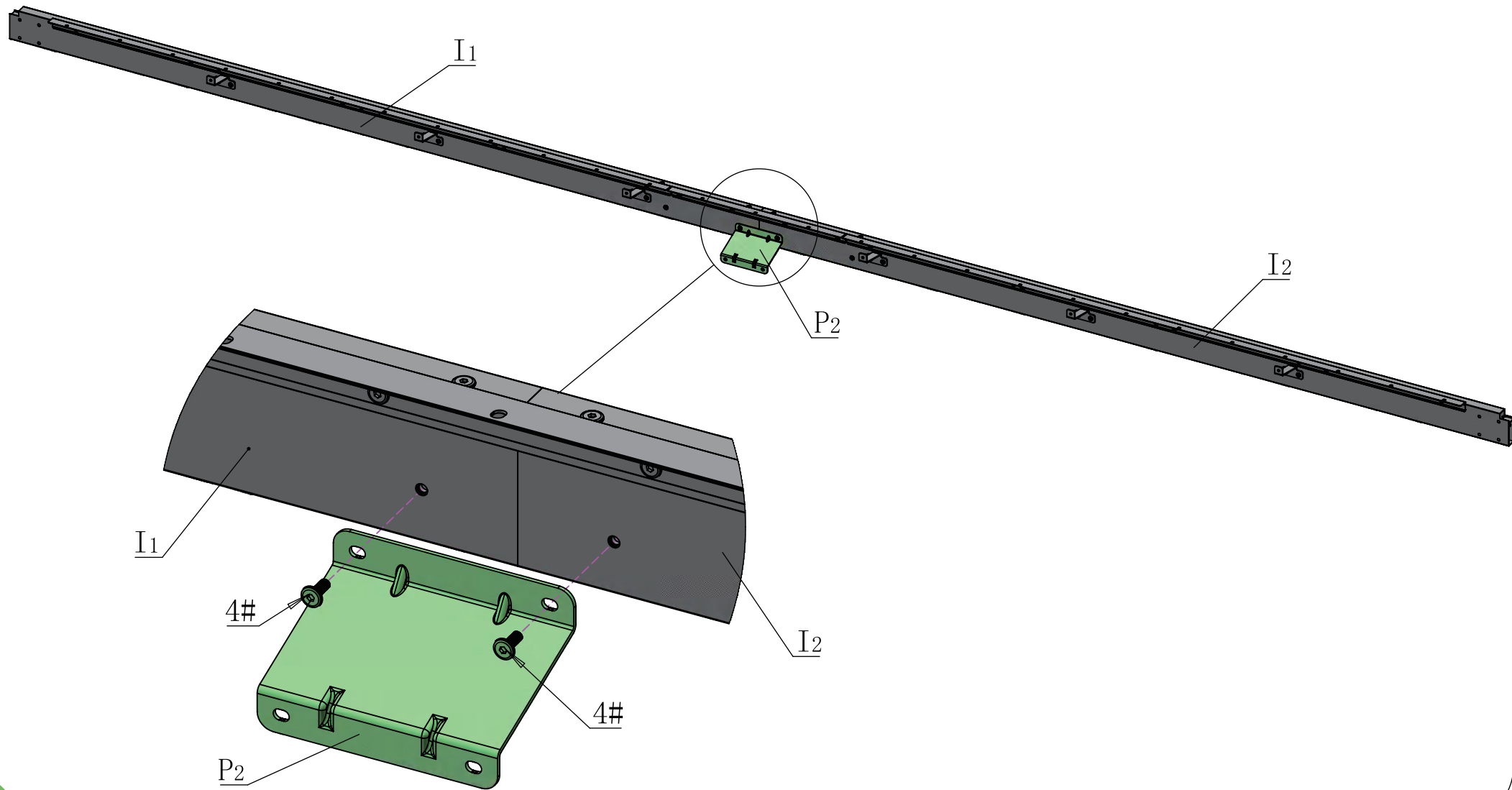
4# 2X

M6\*16

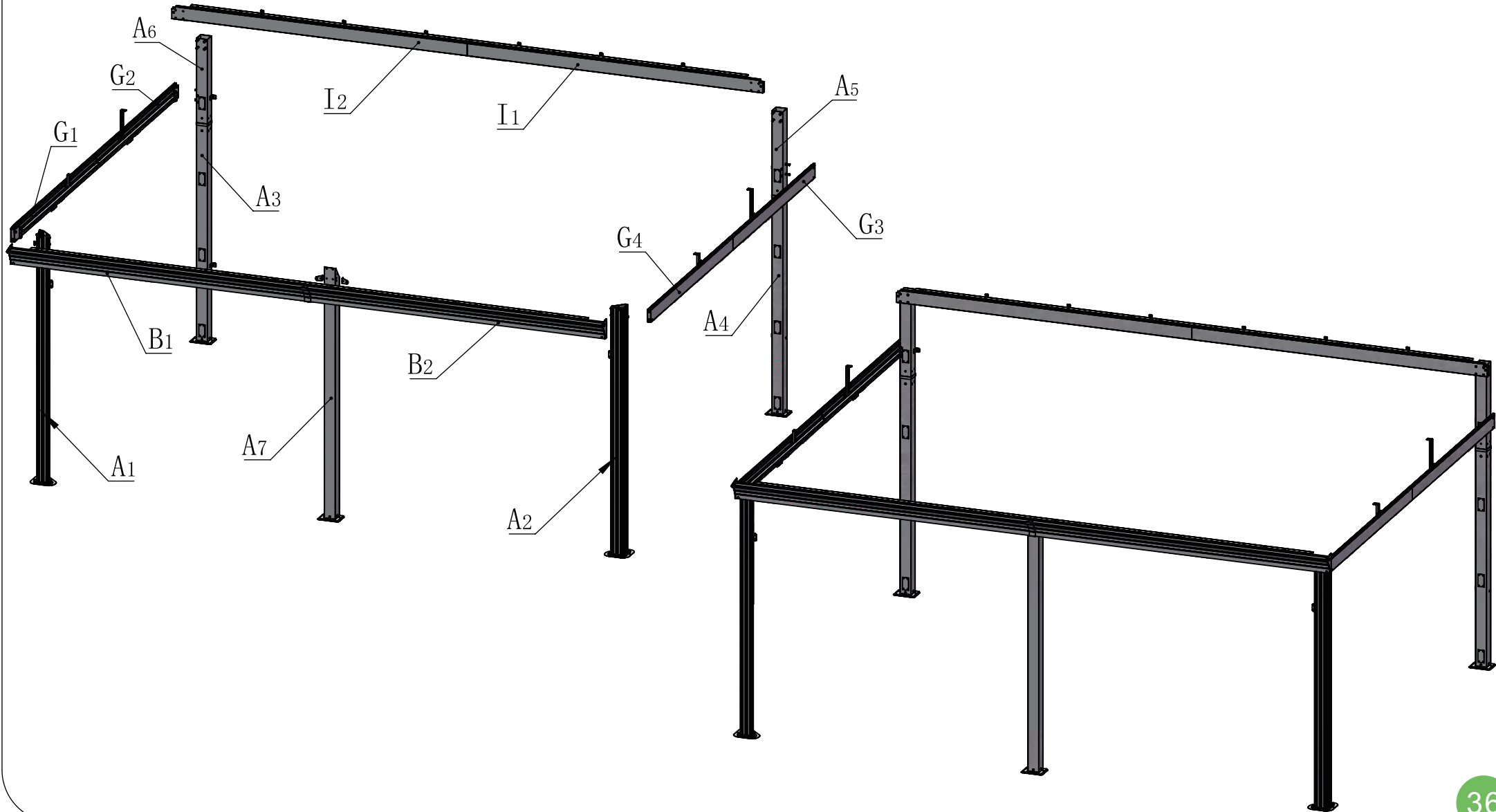


16# 1X

S4

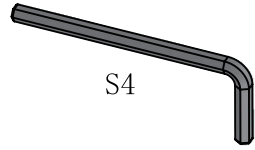


# Frame Assembly





M6\*16



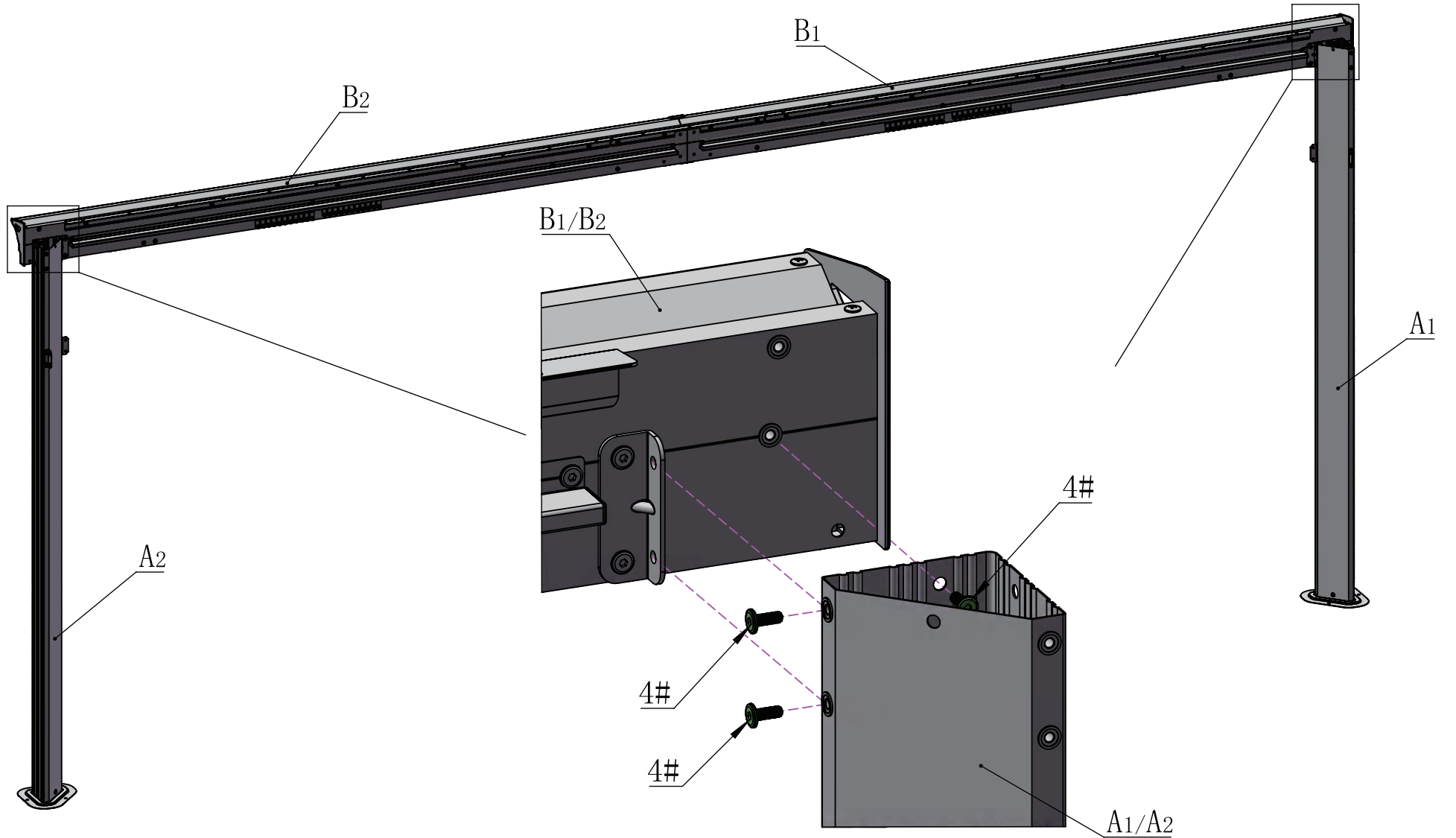
S4

4#

6X

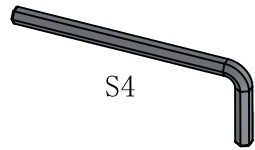
16#

1X





M6\*16



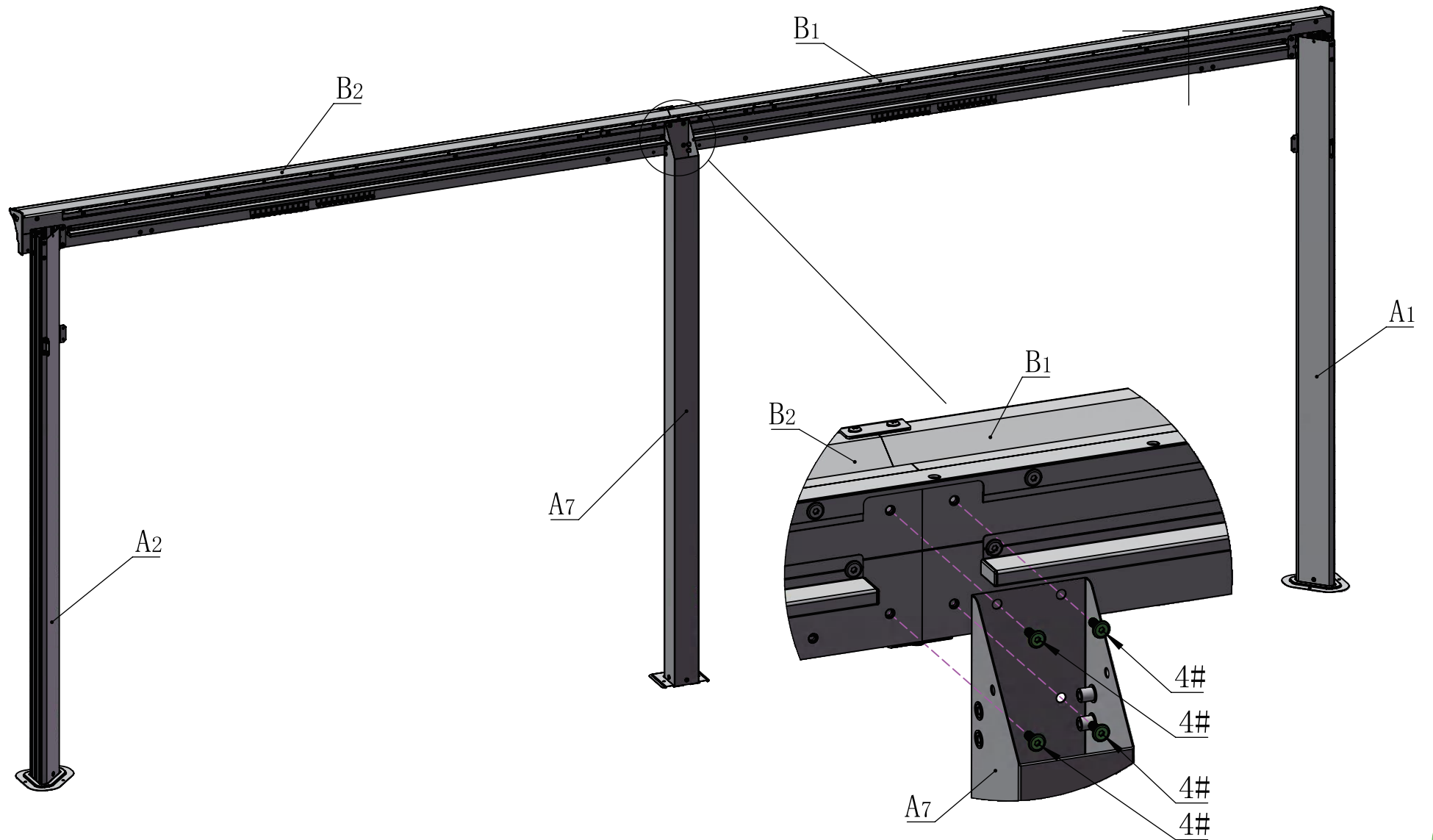
S4

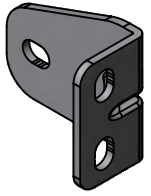
4#

4X

16#

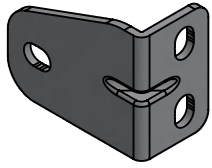
1X





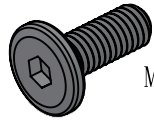
R3

1X



R4

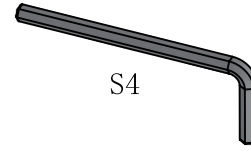
1X



M6\*16

4#

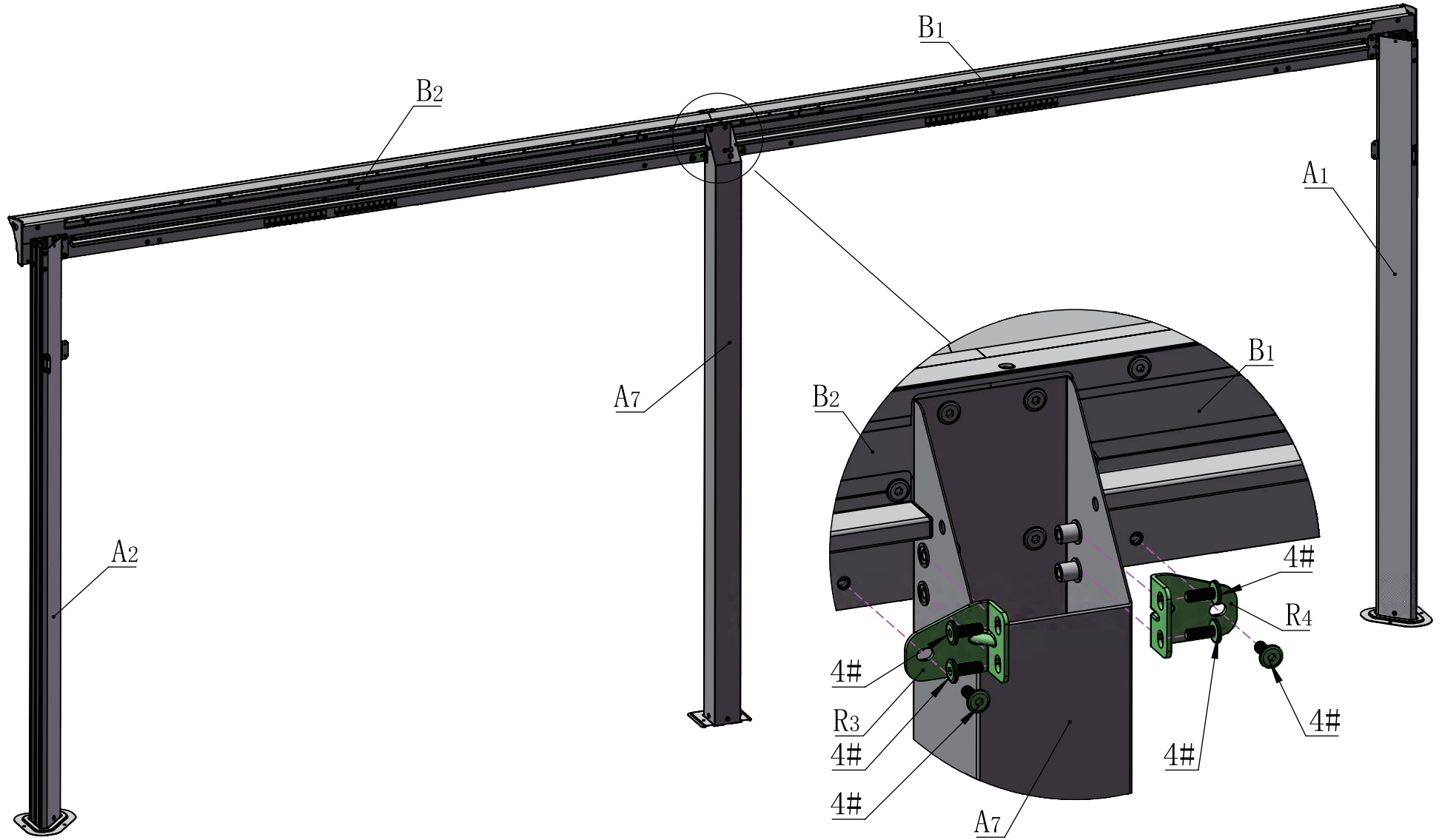
6X

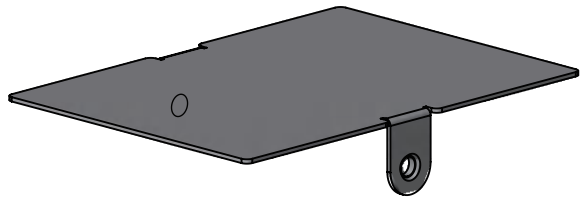


S4

16#

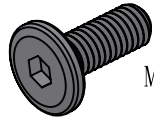
1X





Q<sub>2</sub>

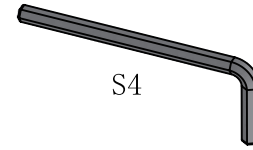
1X



M6\*16

4#

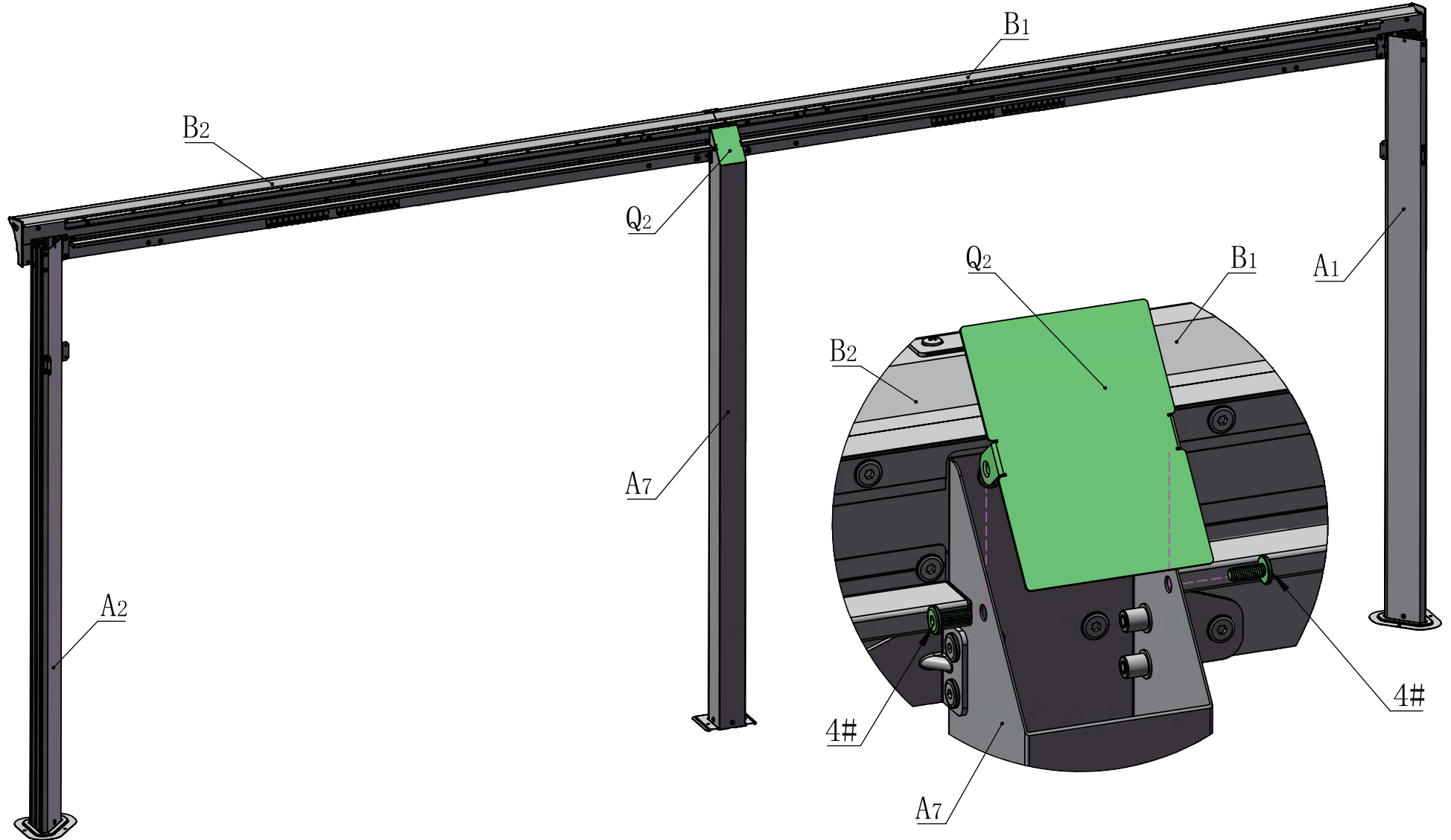
2X

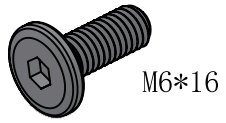


S4

16#

1X

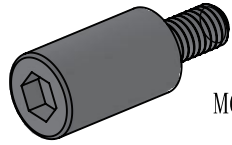




M6\*16

4#

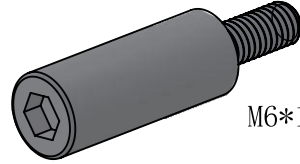
10X



M6\*12 (L20)

7#

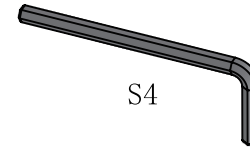
2X



M6\*15 (L30)

8#

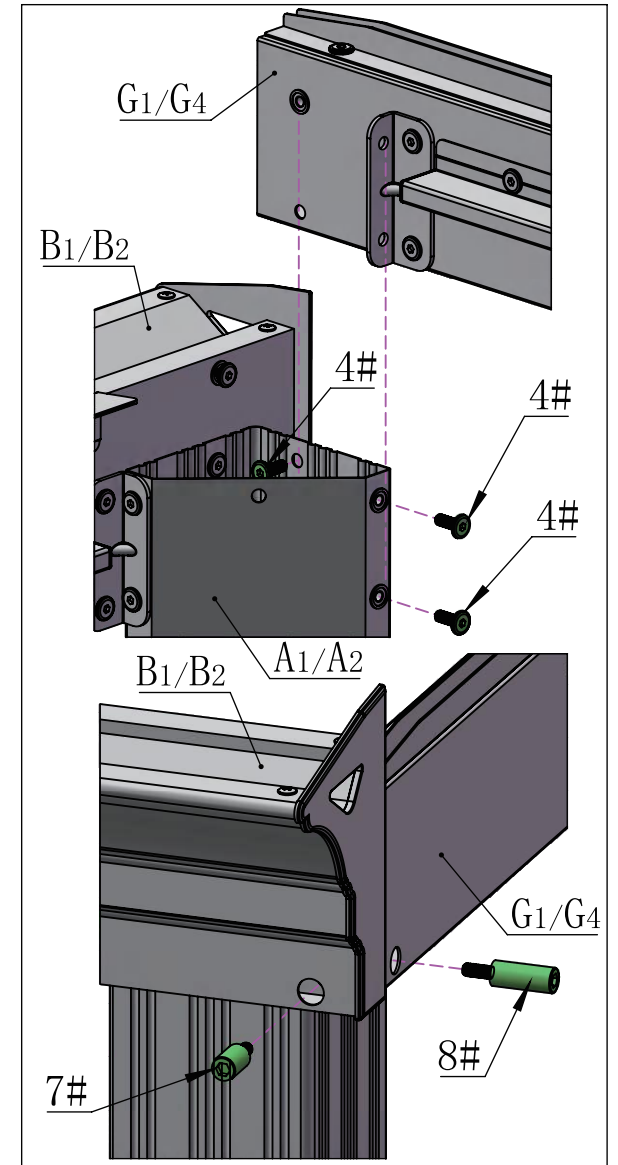
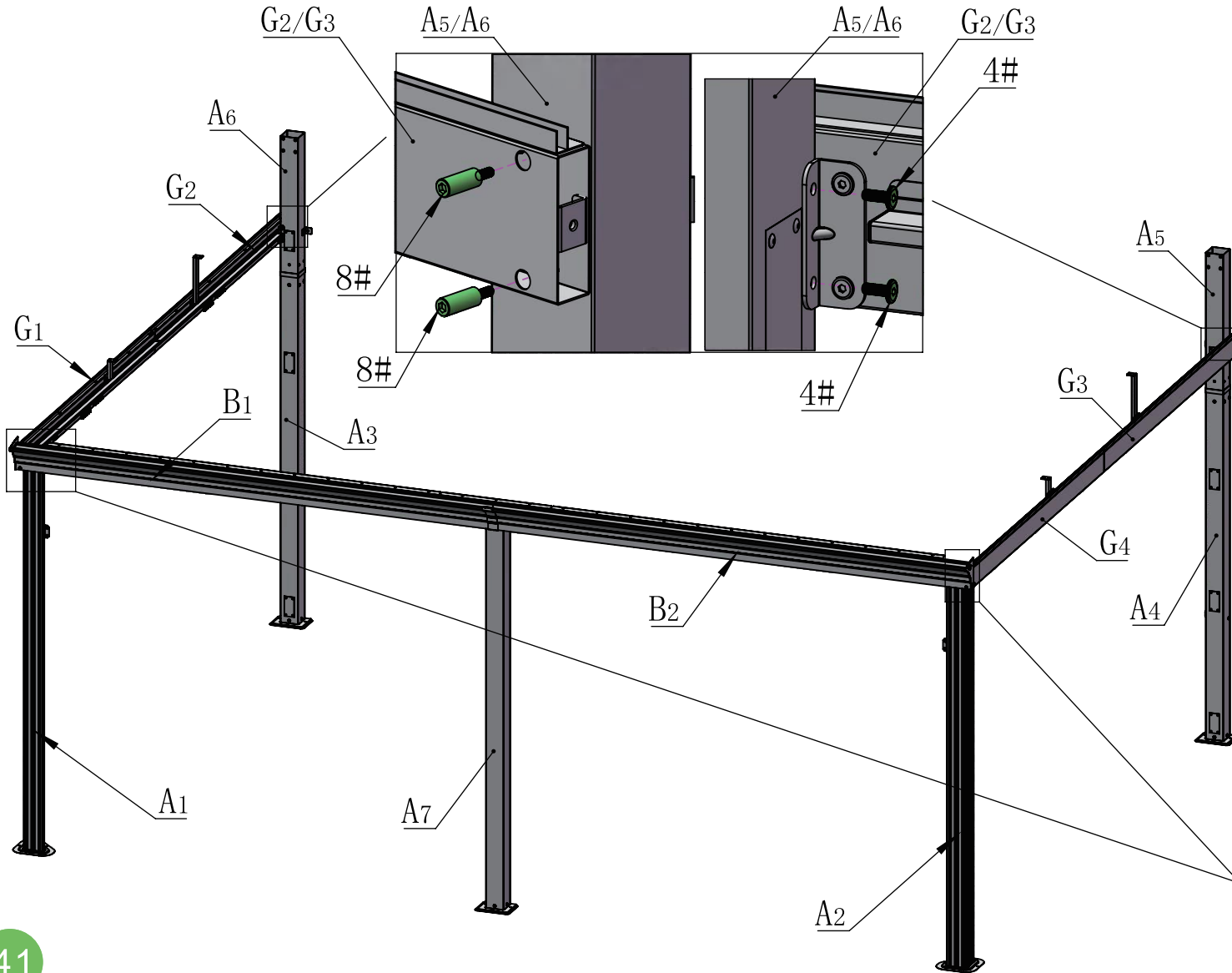
6X

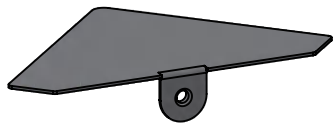


S4

16#

1X





Q1

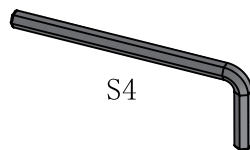
2X



M6\*16

4#

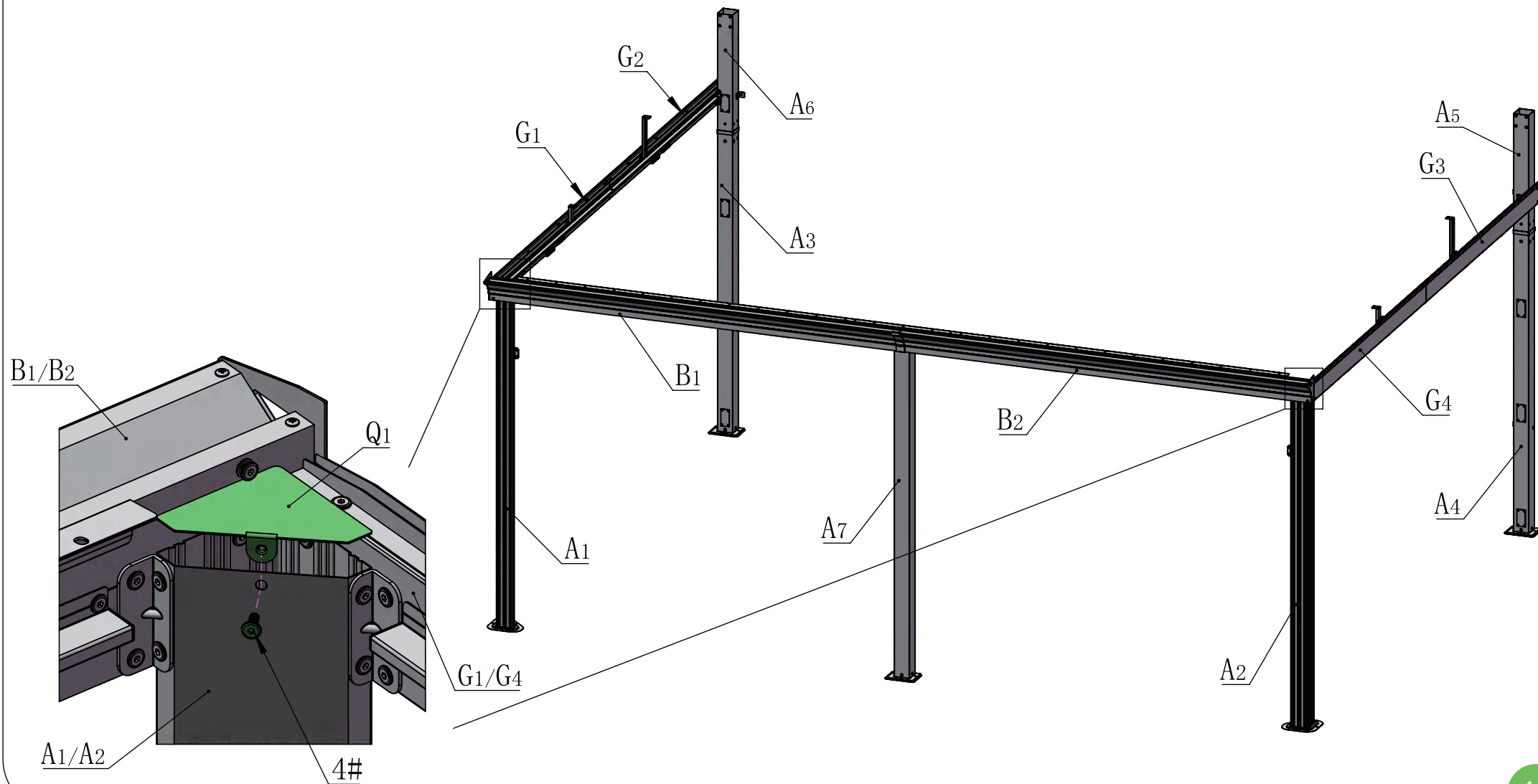
2X

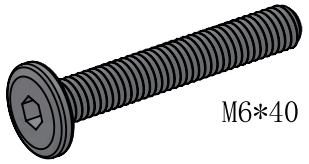


S4

16#

1X

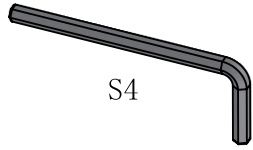




M6\*40

6#

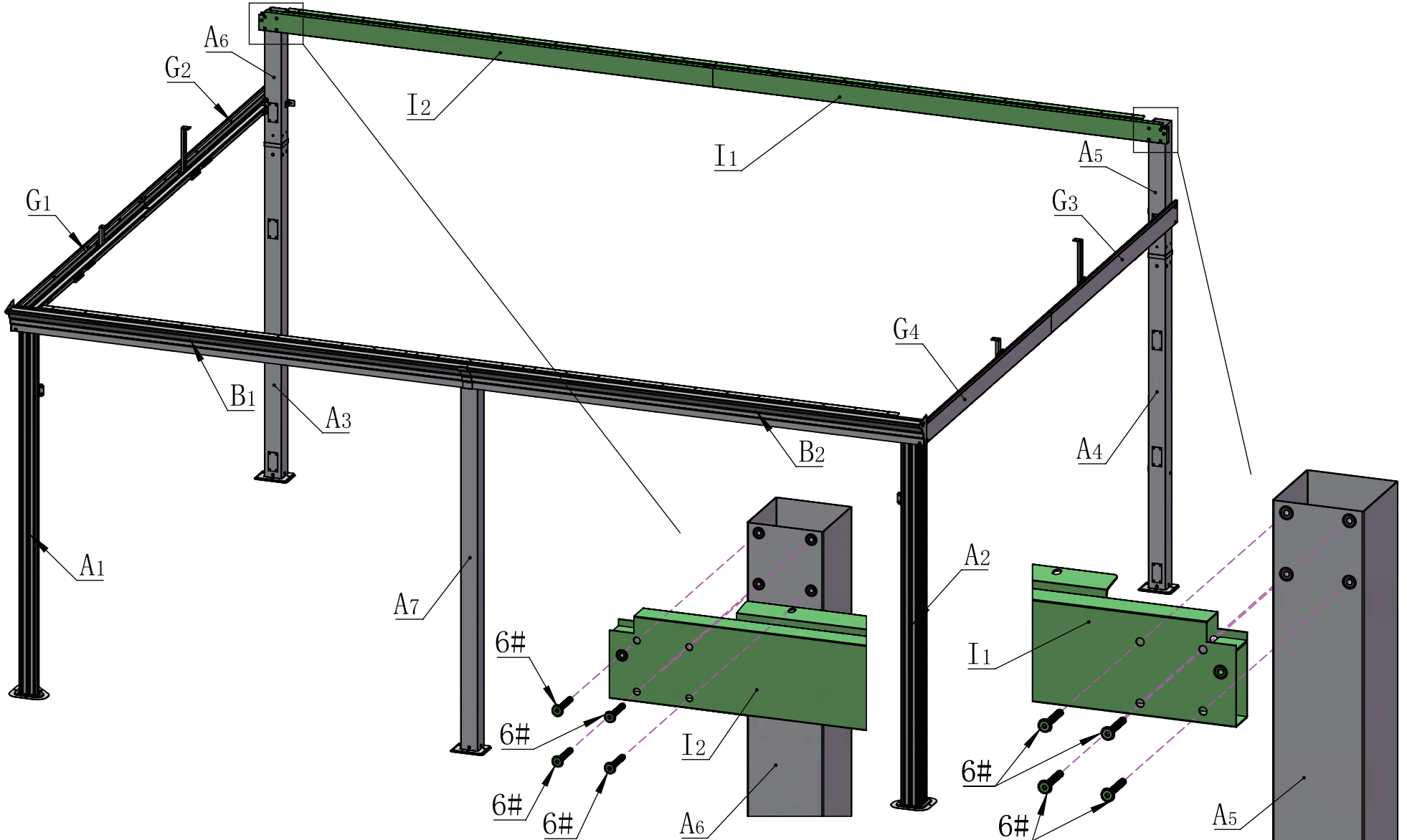
8X



S4

16#

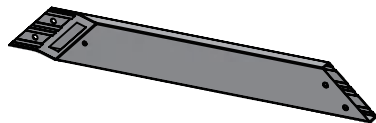
1X





S1

2X



S2

2X



M6\*10

3#

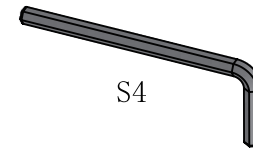
8X



M6\*16

4#

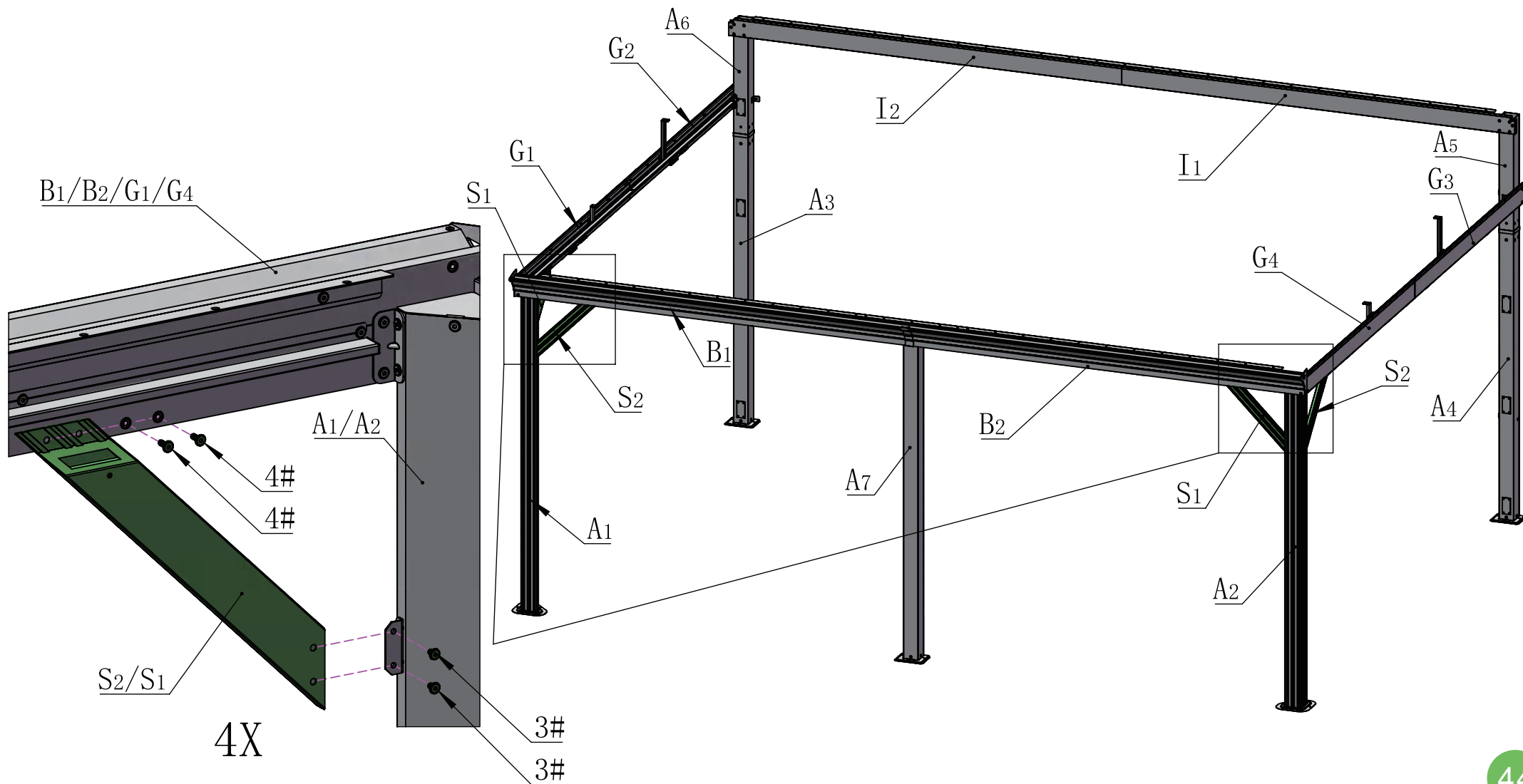
8X



S4

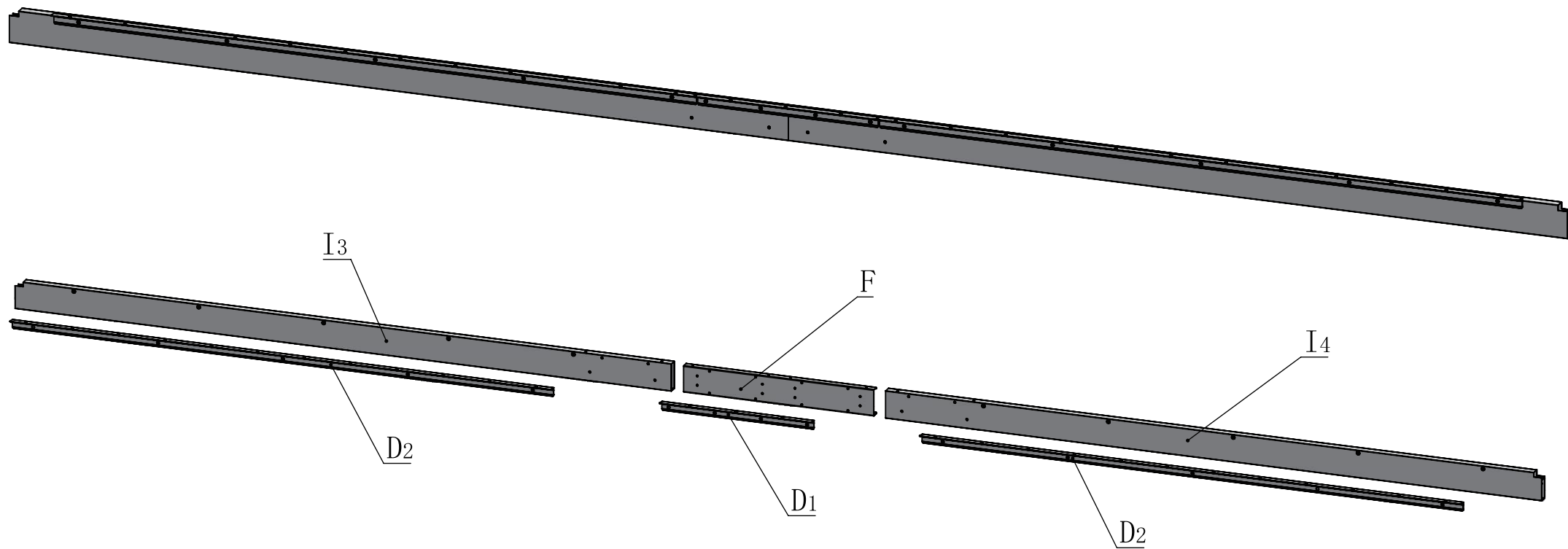
16#

1X



# Two Central Beam Assembly

2X





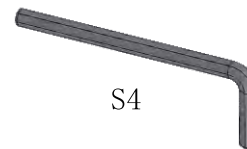


D1 2X



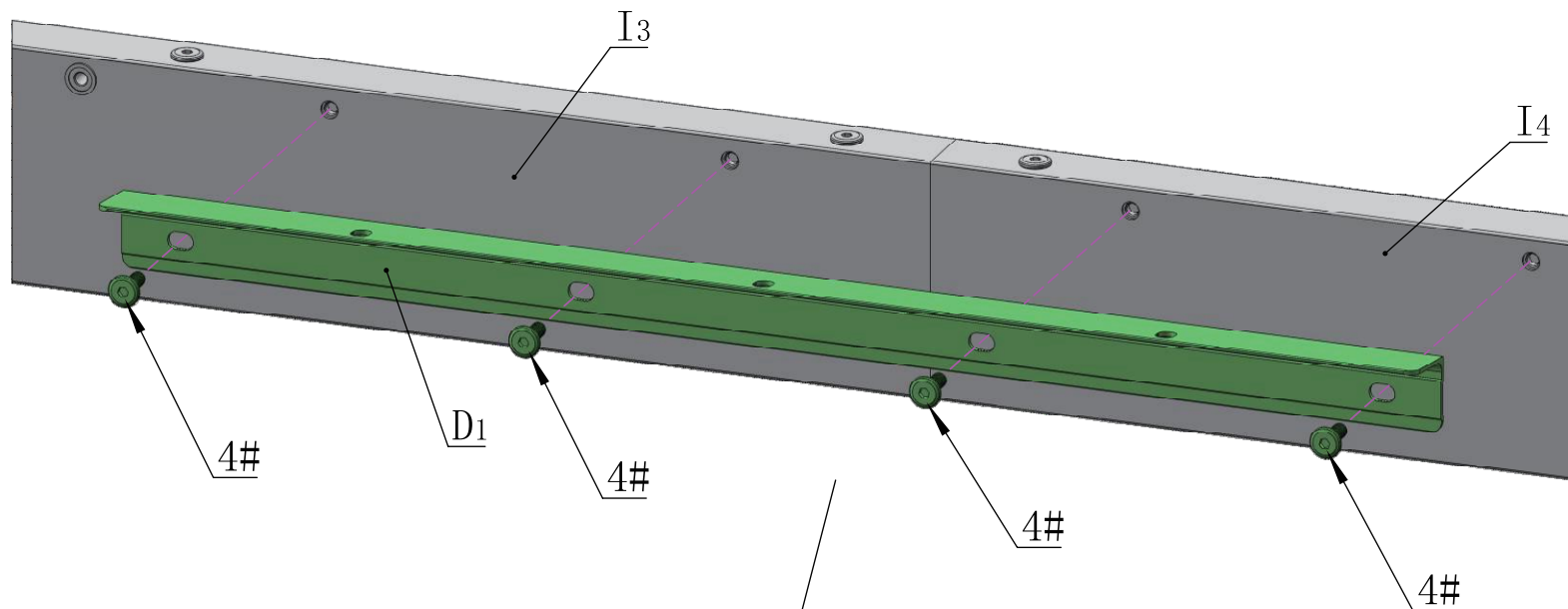
M6\*16

4# 8X

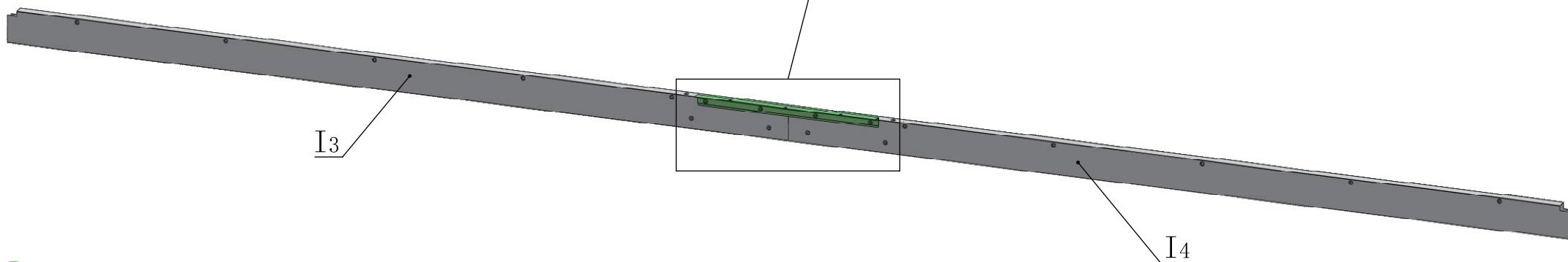


S4

16# 1X



2X



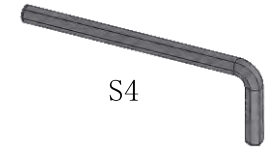


D2 4X



M6\*16

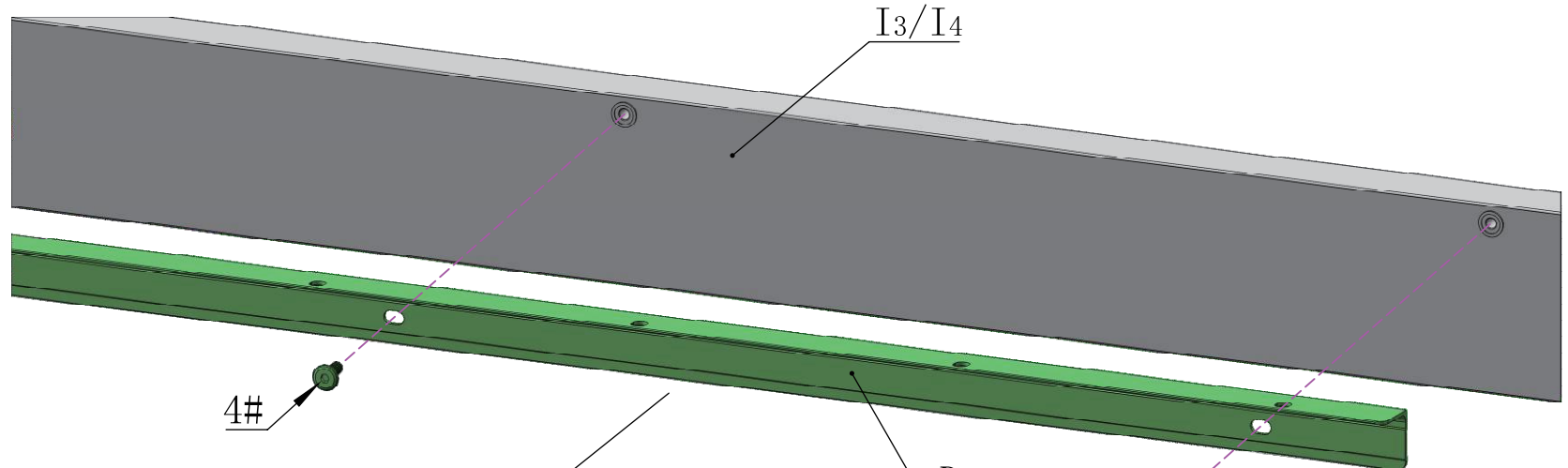
4#



S4

16#

1X

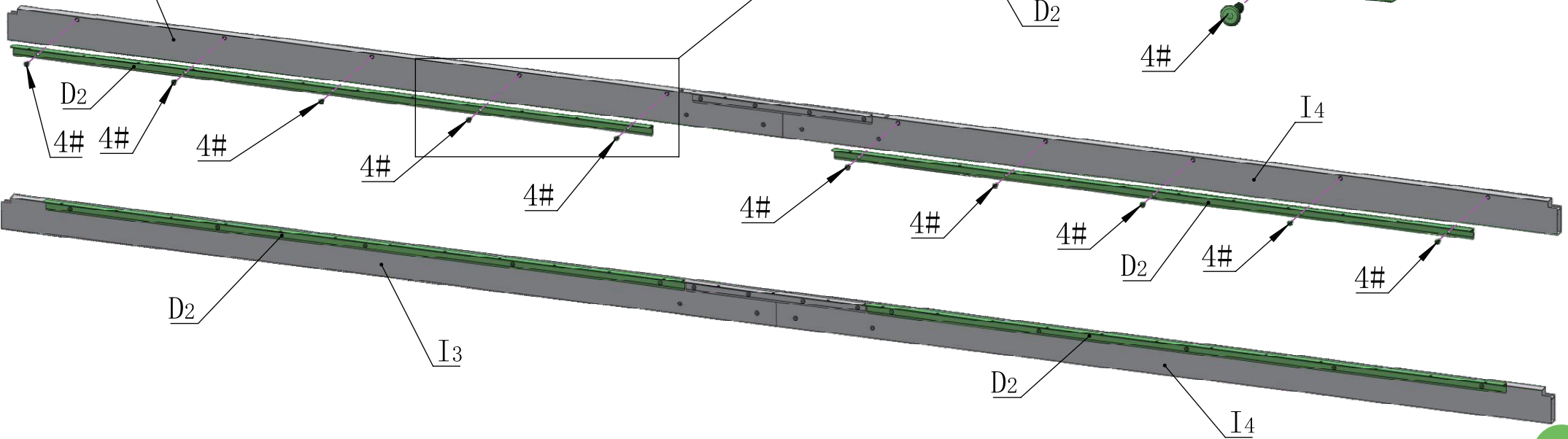


I3/I4

4#

D2

4#



I3

I4

D2

4#

4#

4#

4#

4#

4#

4#

4#

D2

4#

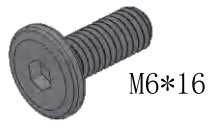
4#

D2

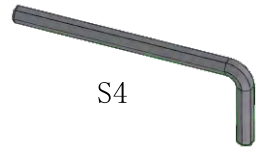
I3

D2

I4



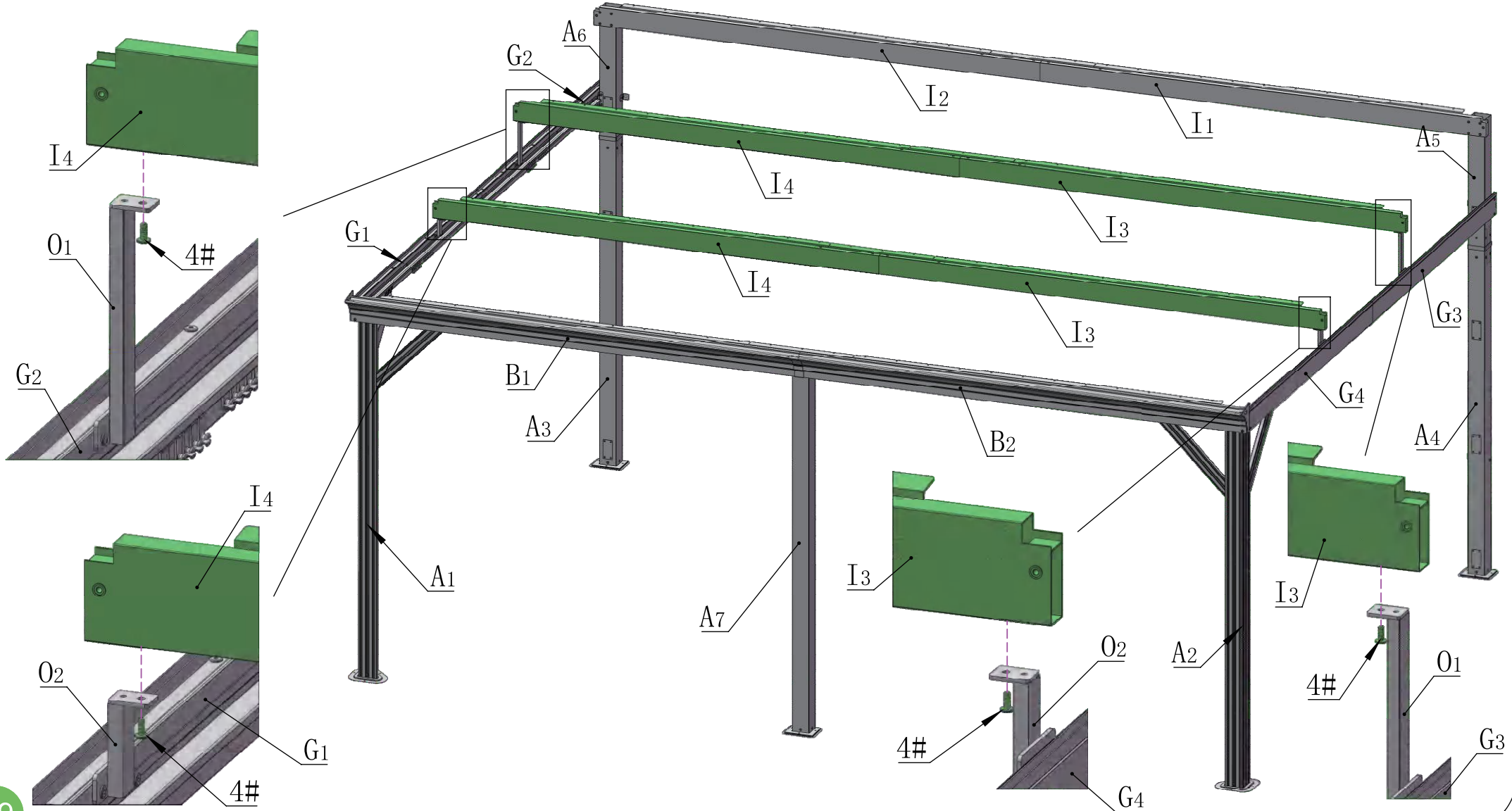
M6\*16

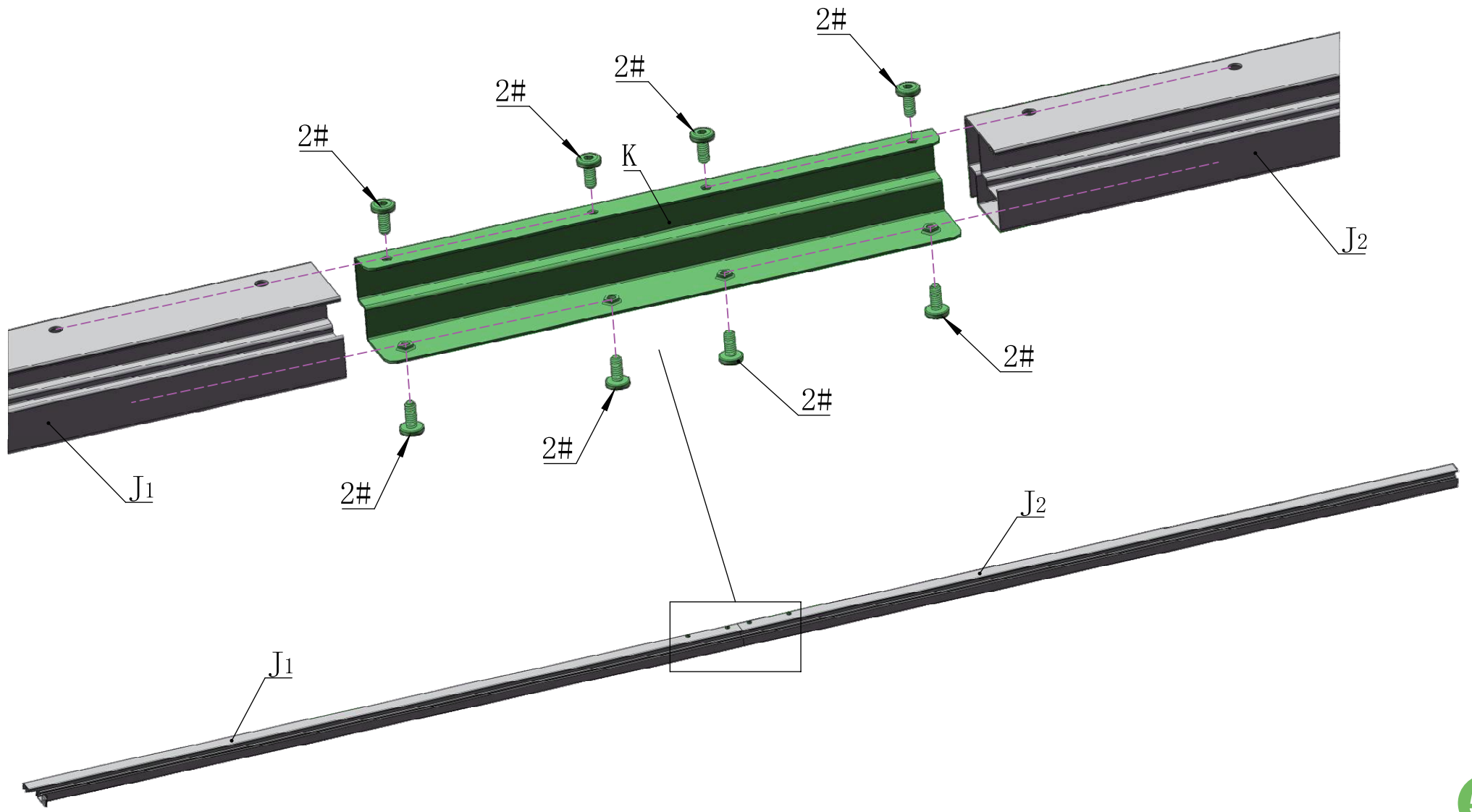
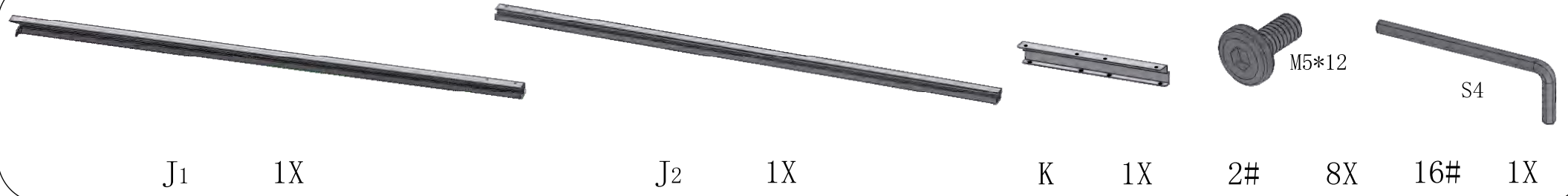


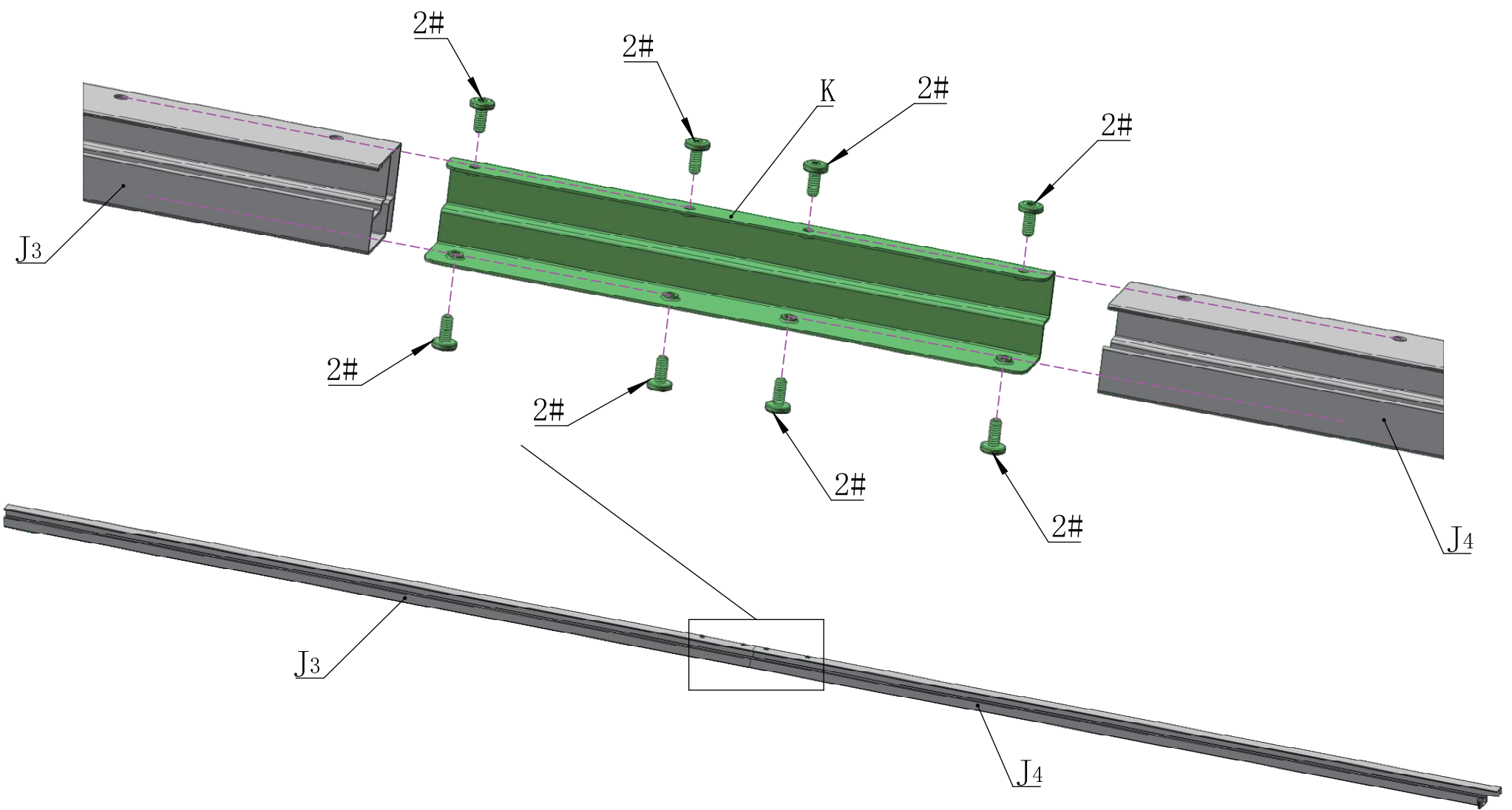
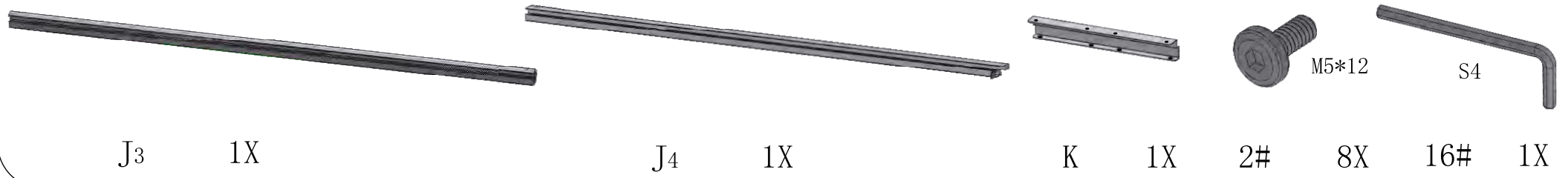
S4

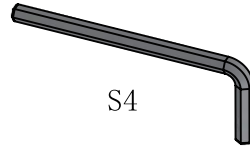
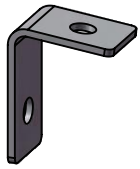
4# 4X

16# 1X





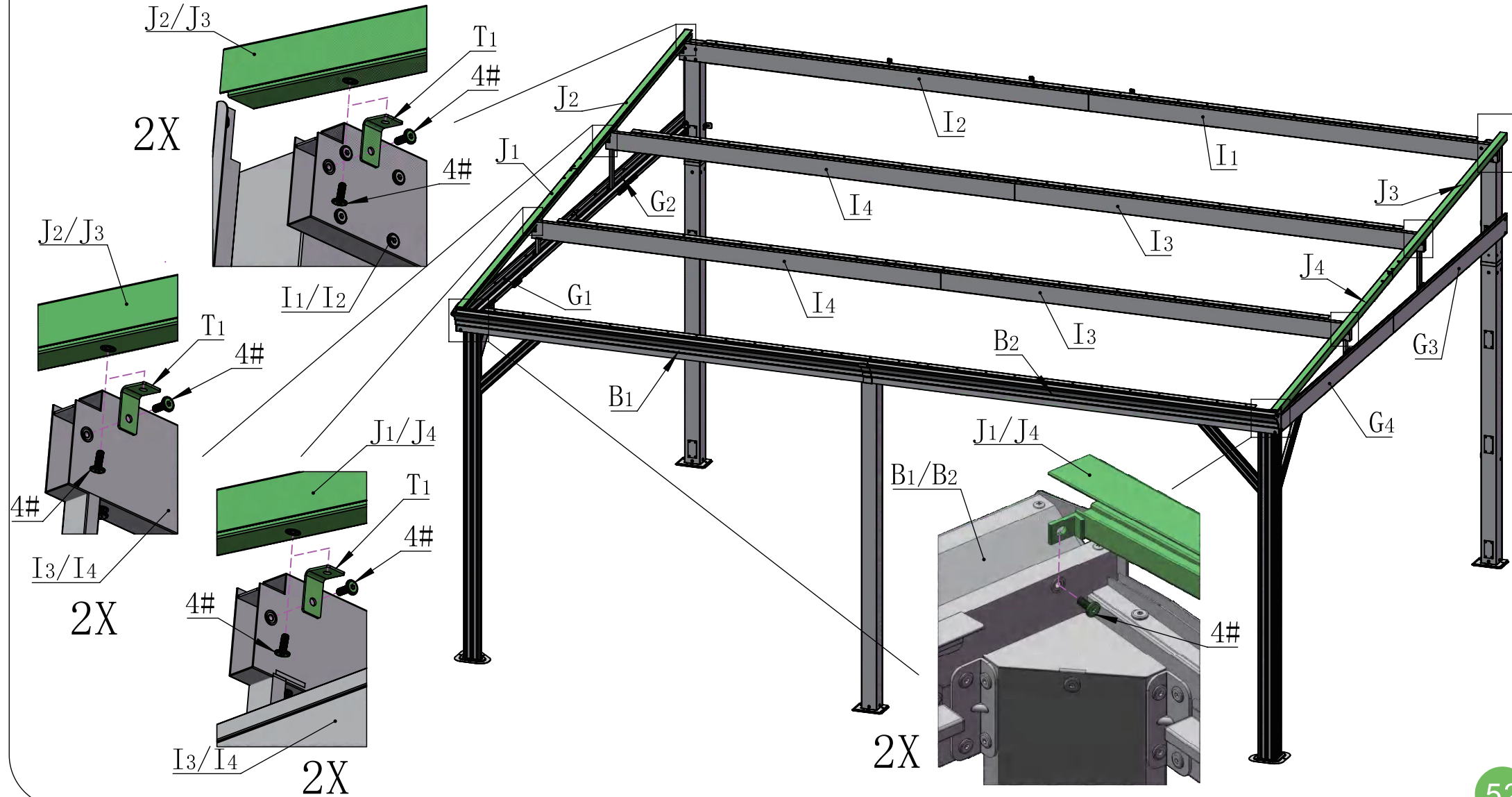


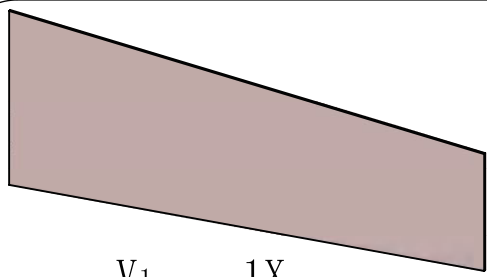


T1 6X

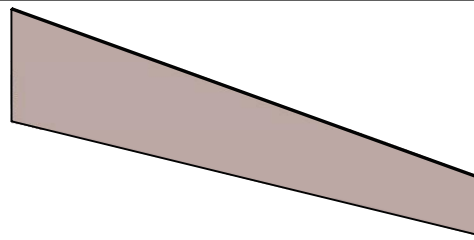
4# 14X

16# 1X

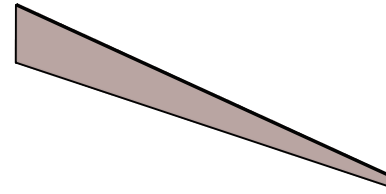




V1 1X



V3 1X



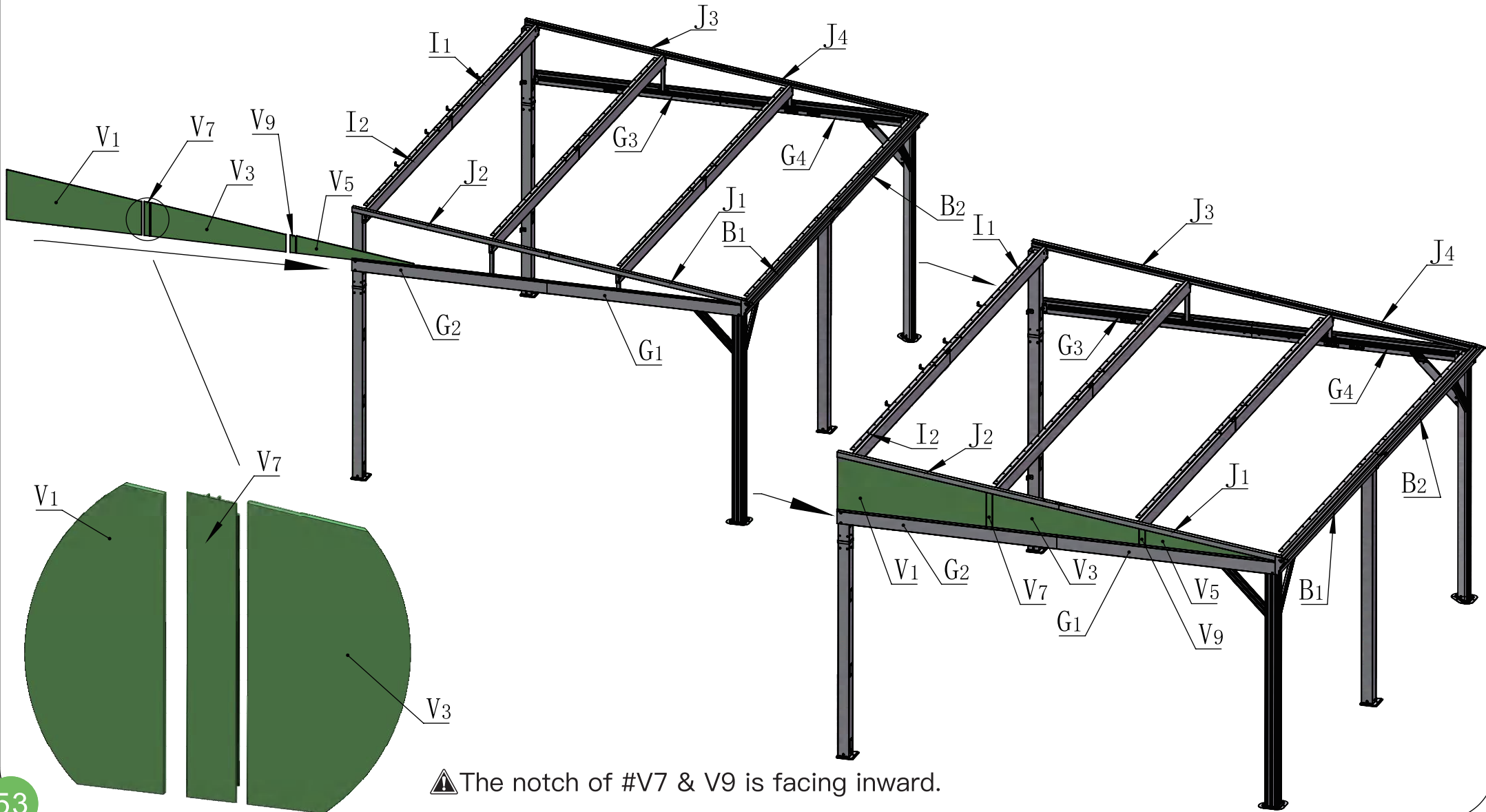
V5 1X



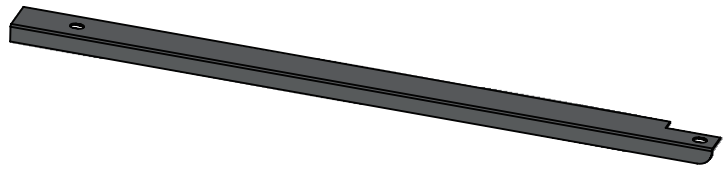
V7 1X



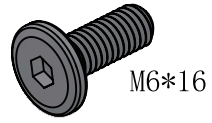
V9 1X



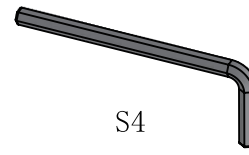
⚠ The notch of #V7 & V9 is facing inward.



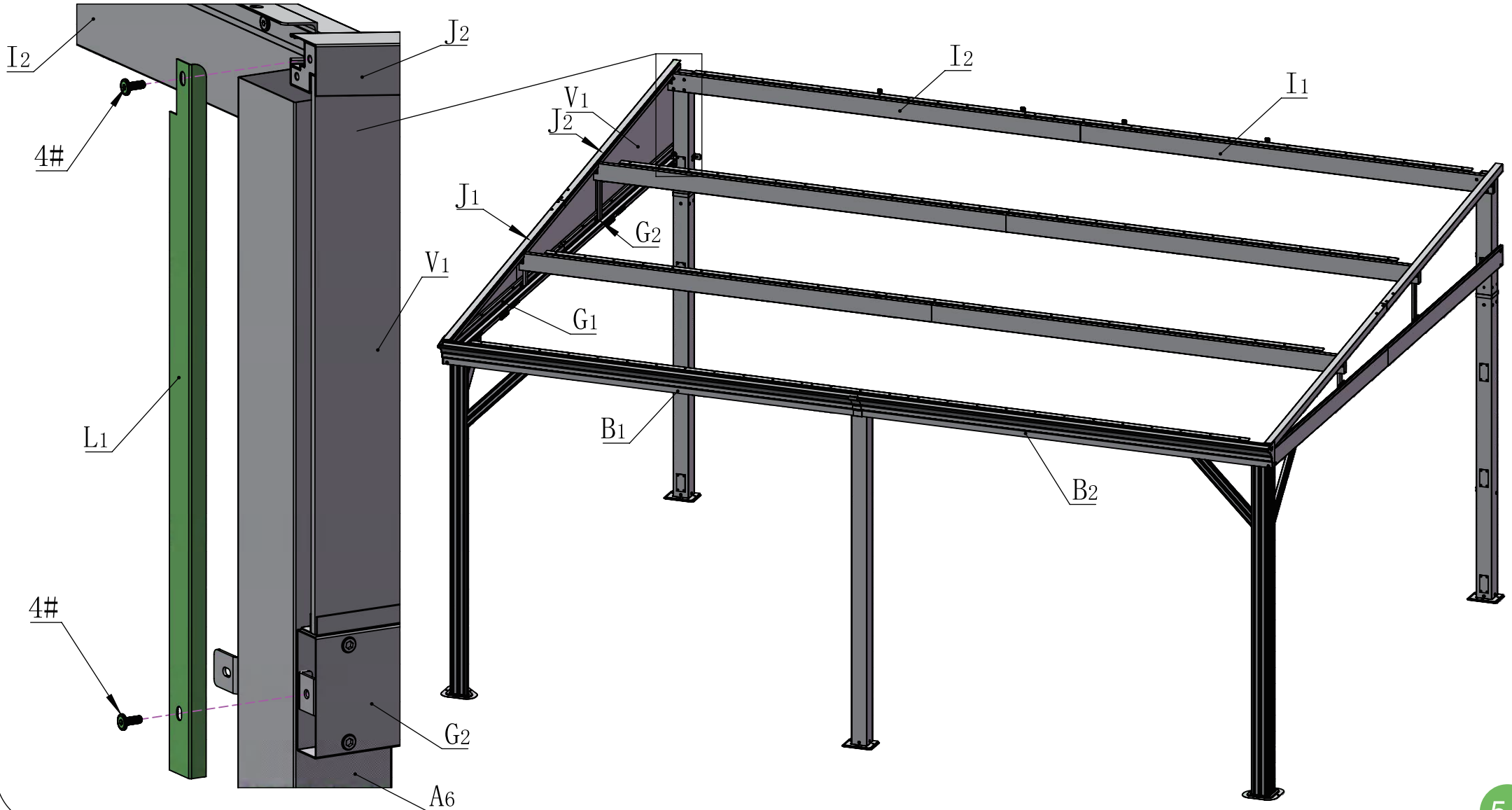
L1 1X

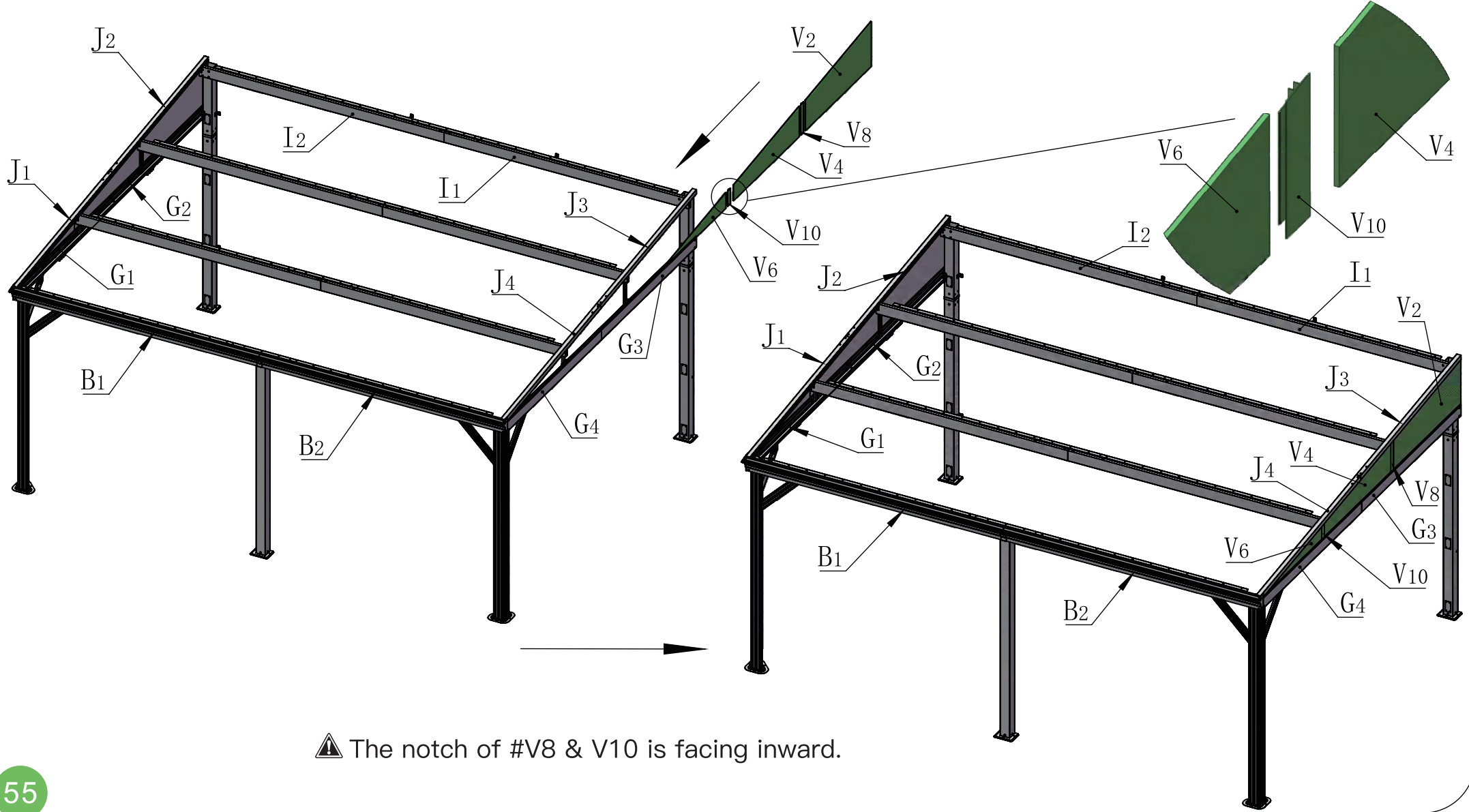
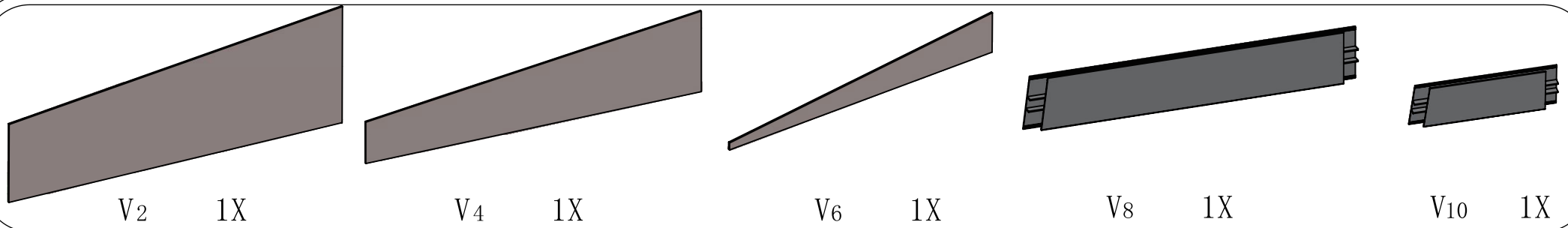


4# 2X M6\*16

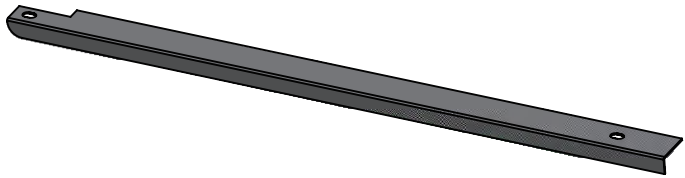


16# 1X S4

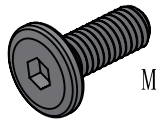




⚠ The notch of #V8 & V10 is facing inward.

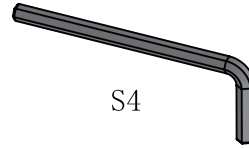


L2 1X



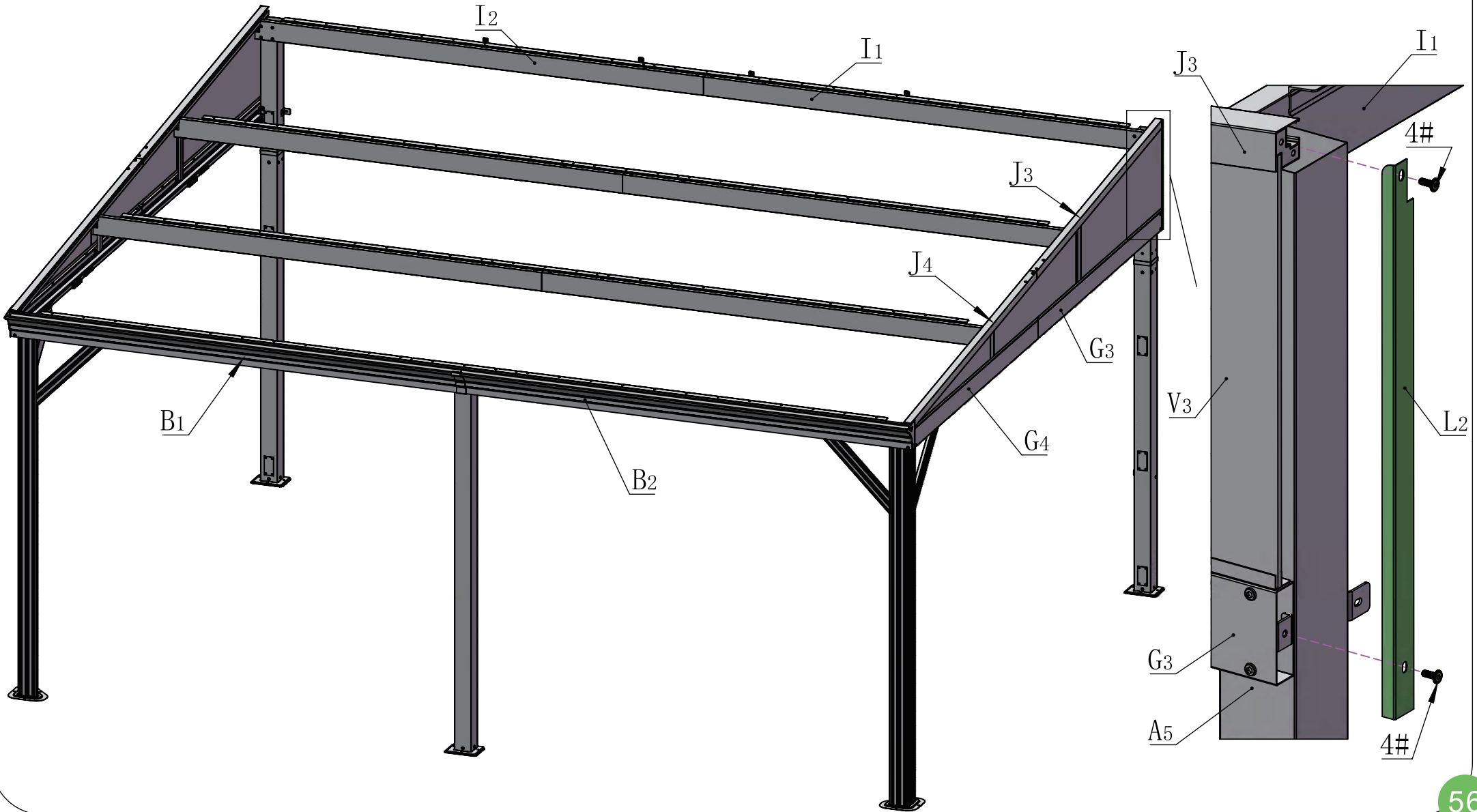
M6\*16

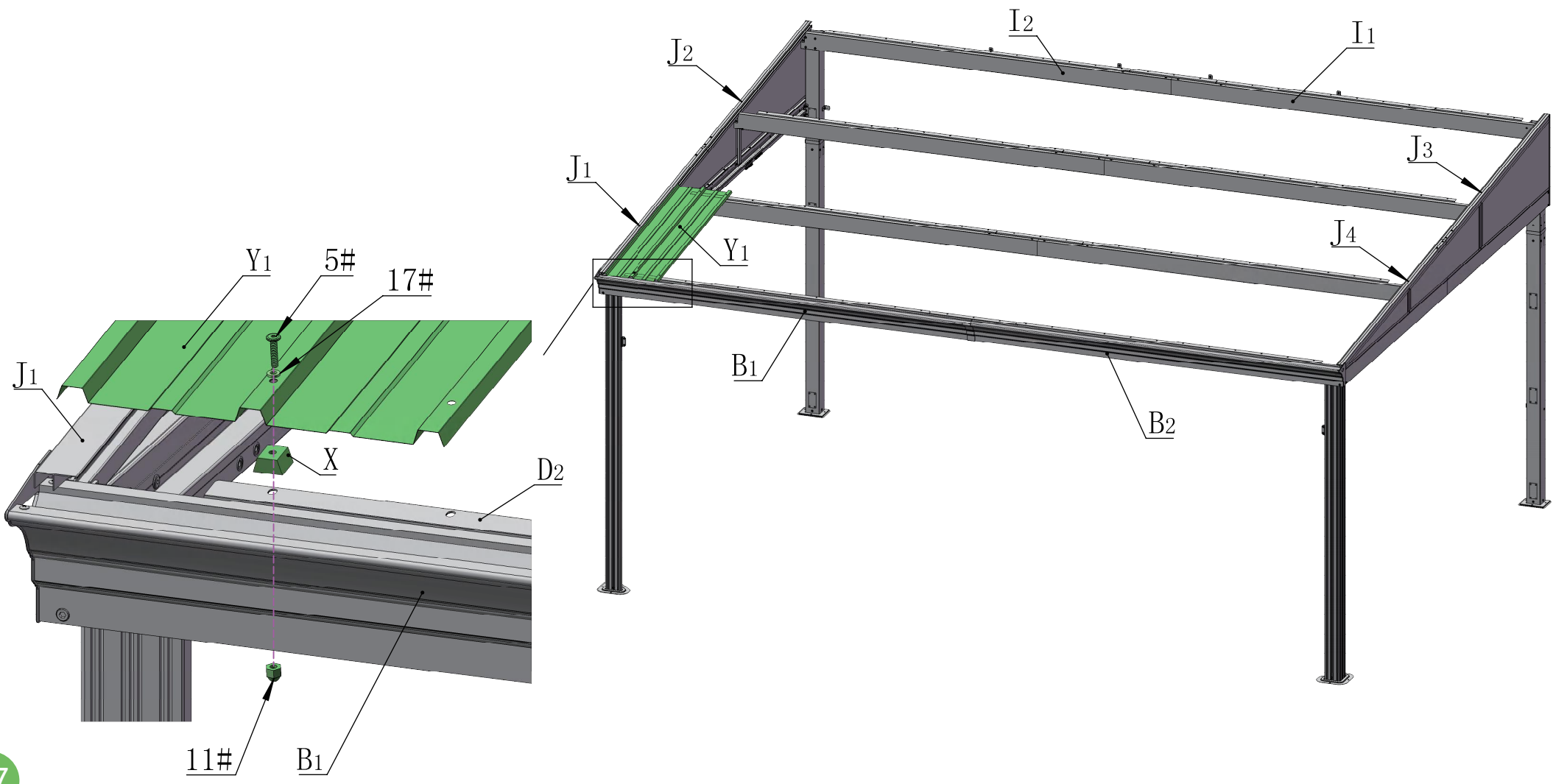
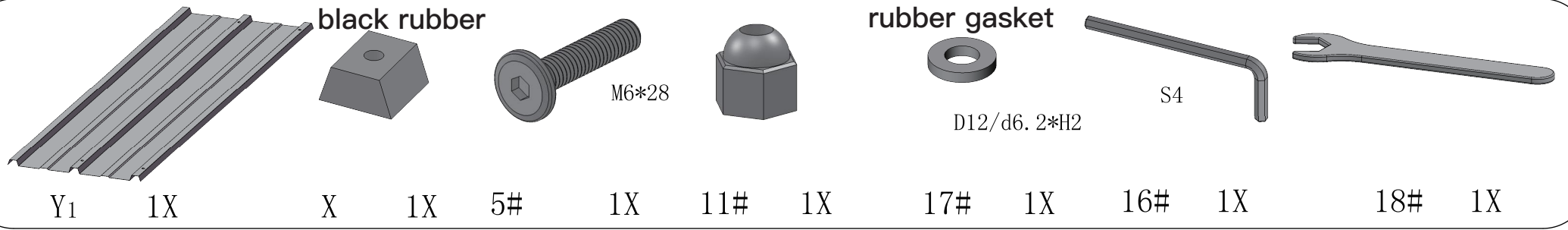
4# 2X

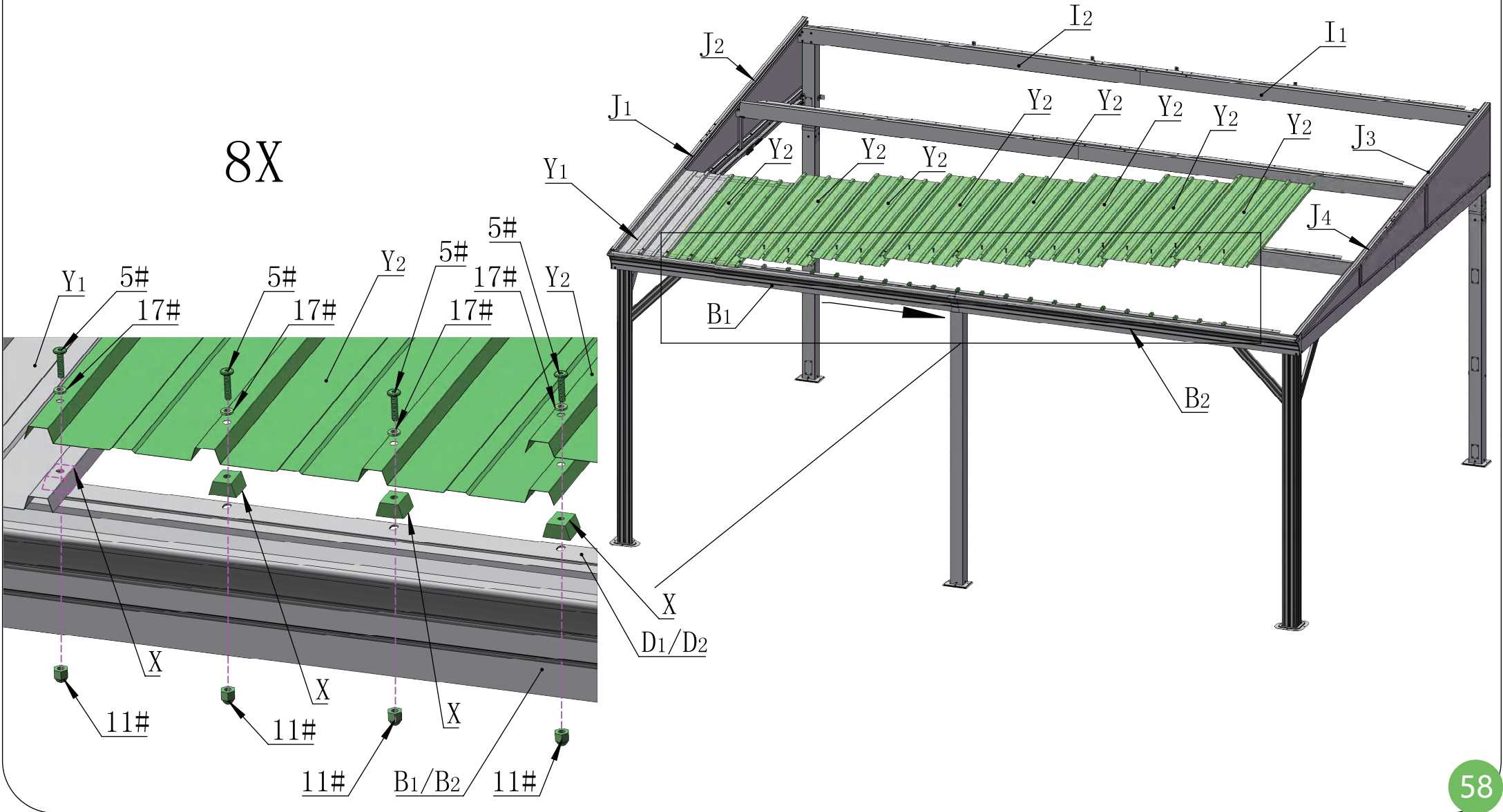
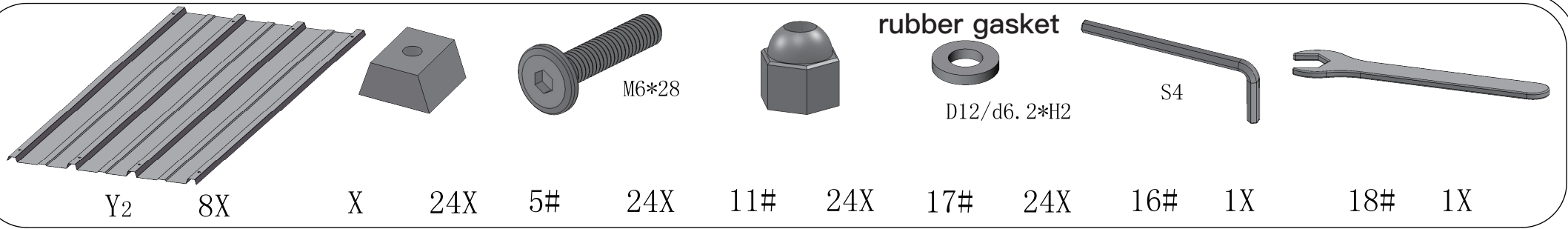


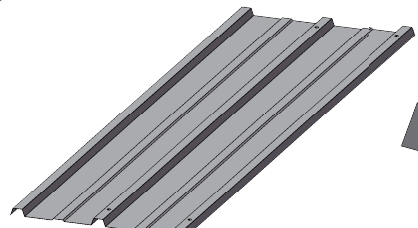
S4

16# 1X

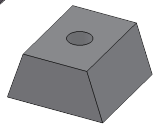




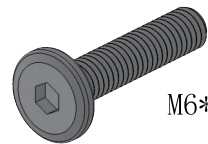




Y1 1X

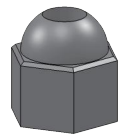


X 2X



5# 2X

M6\*28



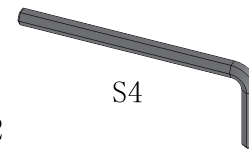
11# 2X

rubber gasket



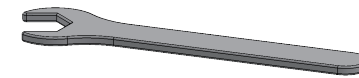
D12/d6. 2\*H2

17# 2X

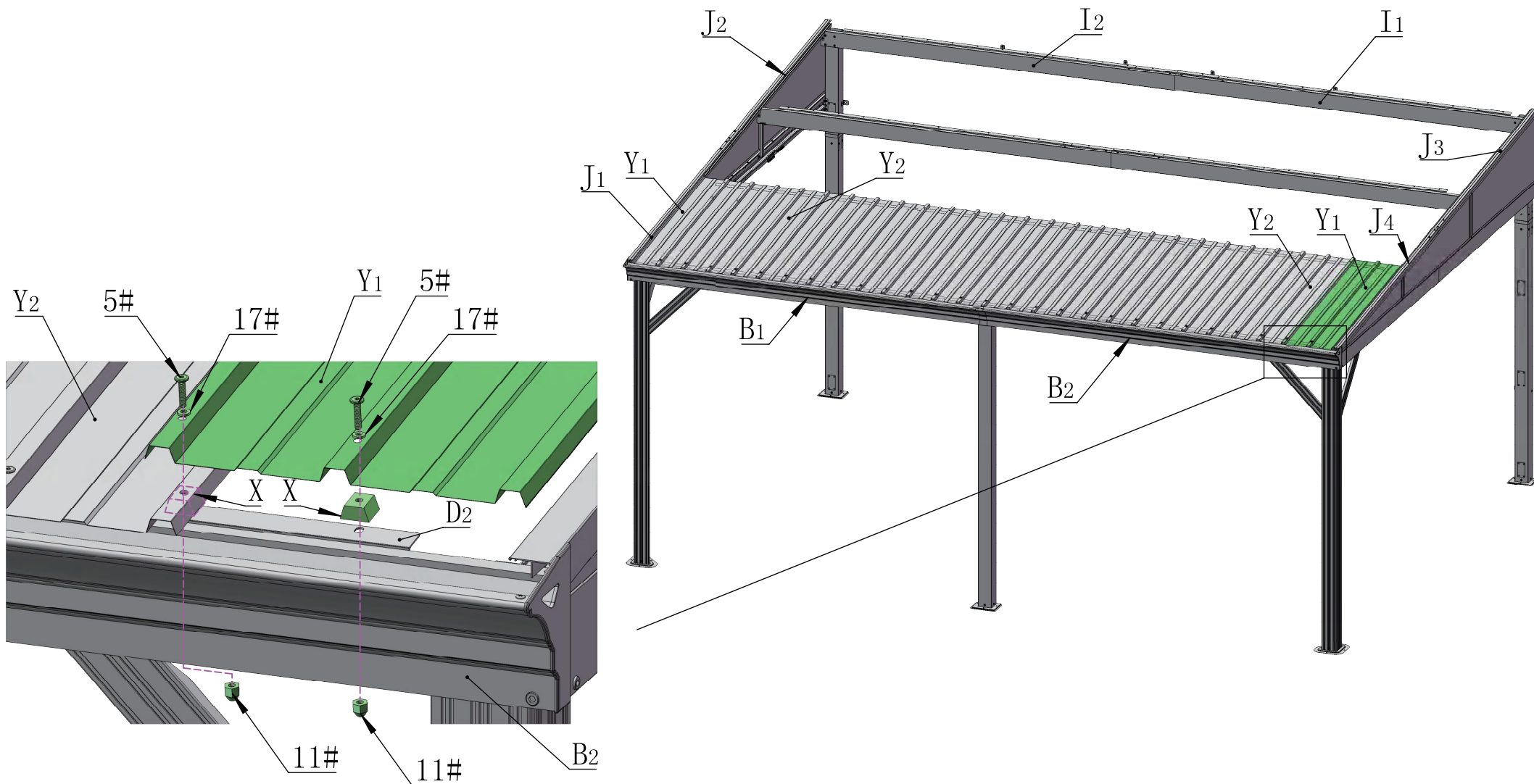


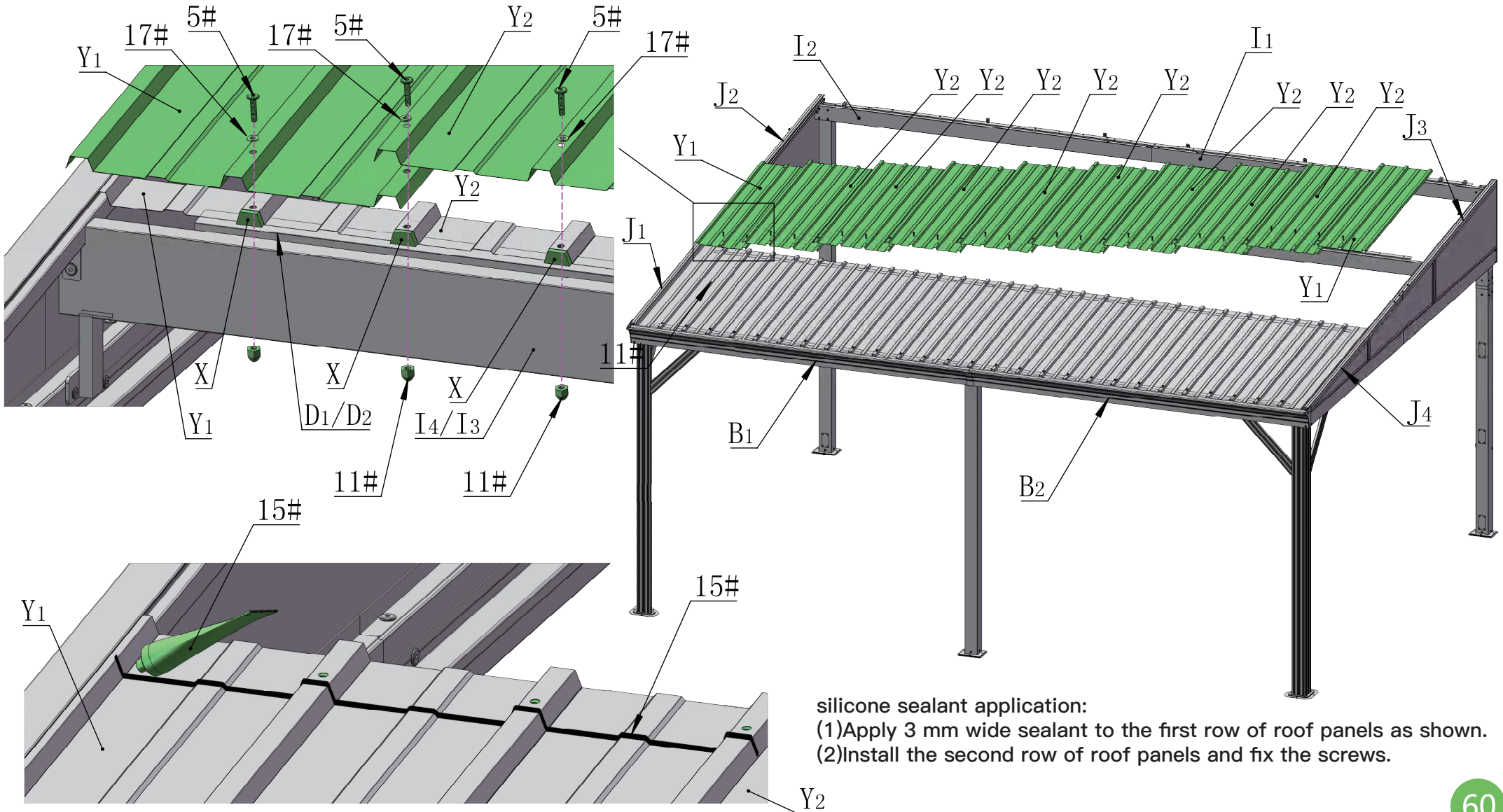
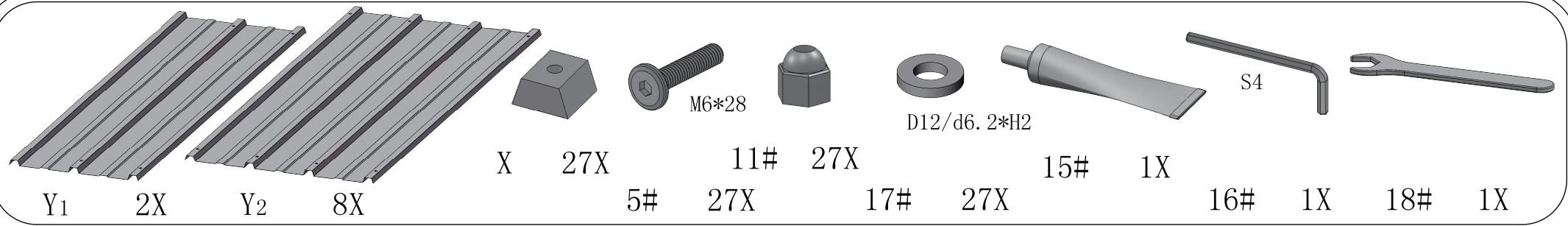
S4

16# 1X

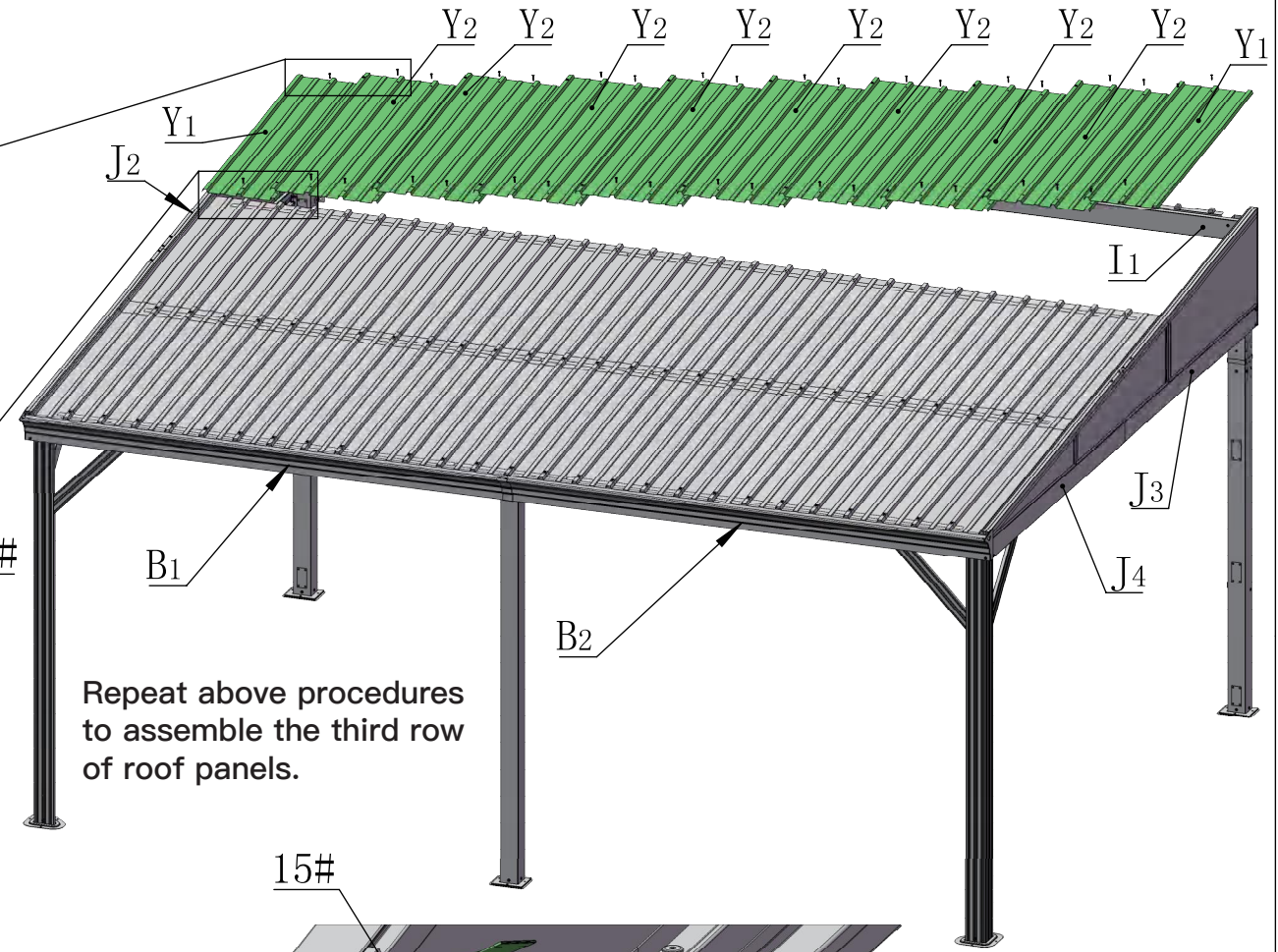
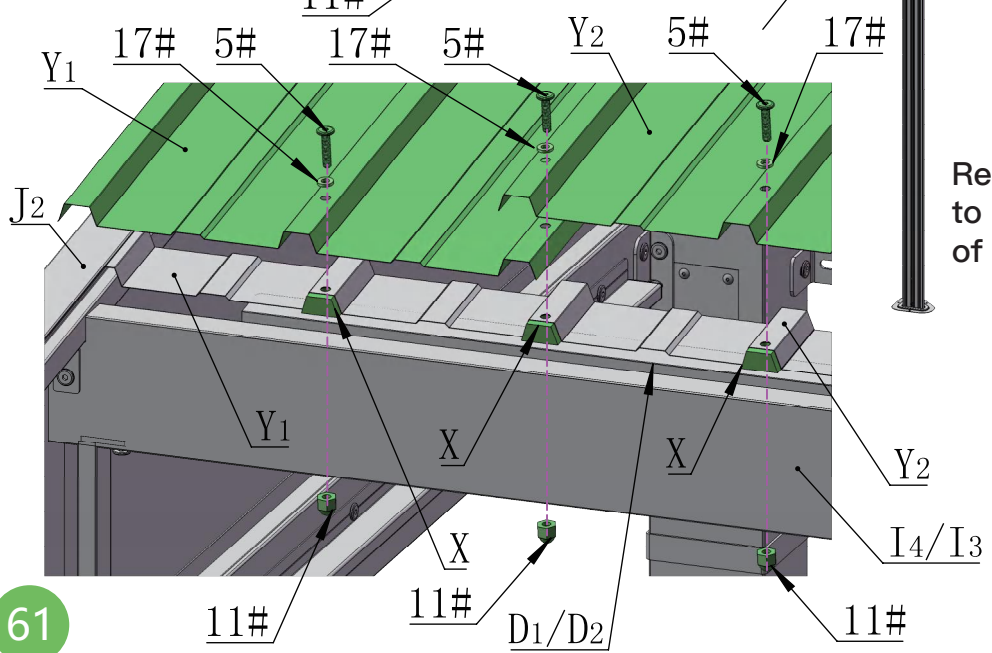
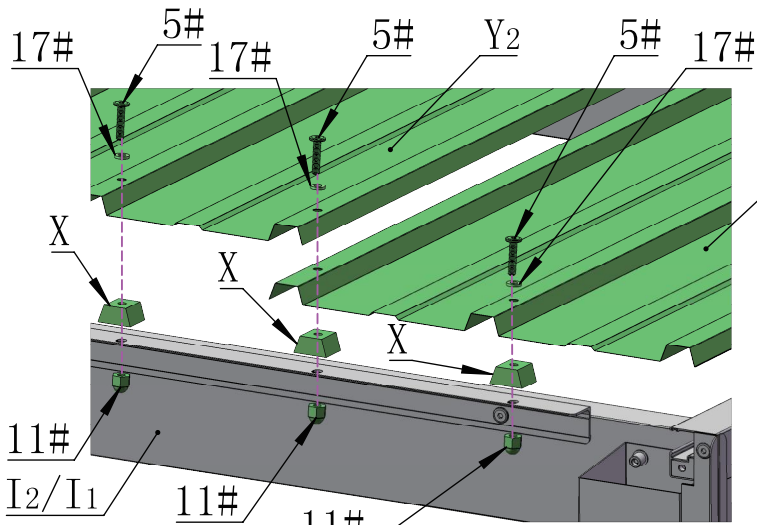
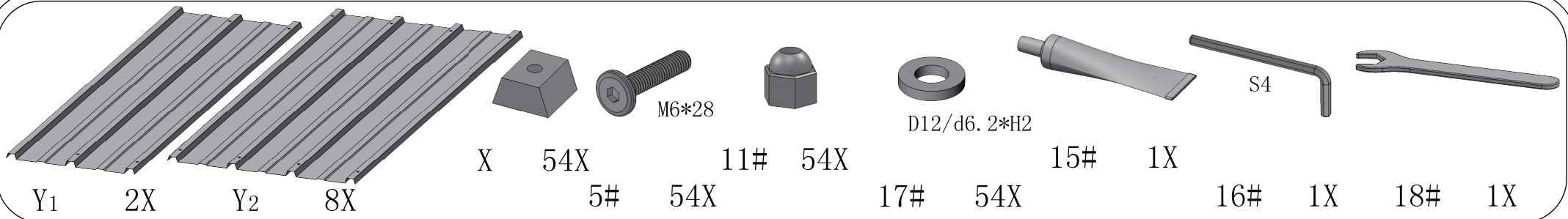


18# 1X

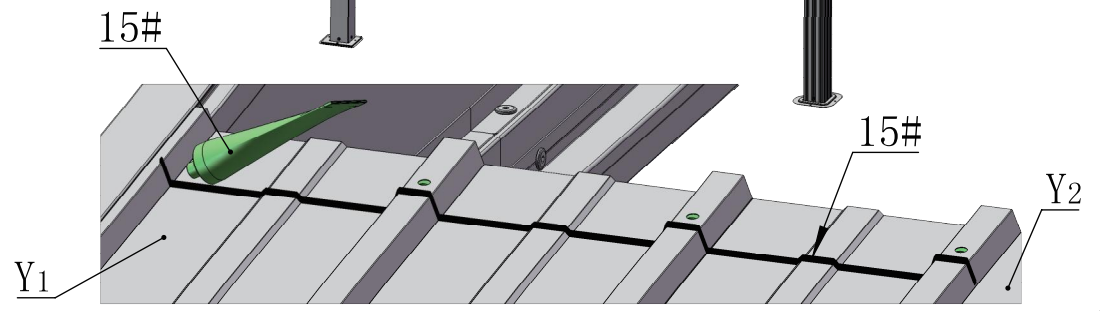




silicone sealant application:  
 (1) Apply 3 mm wide sealant to the first row of roof panels as shown.  
 (2) Install the second row of roof panels and fix the screws.



Repeat above procedures to assemble the third row of roof panels.





M1

1X

M2

1X

4#

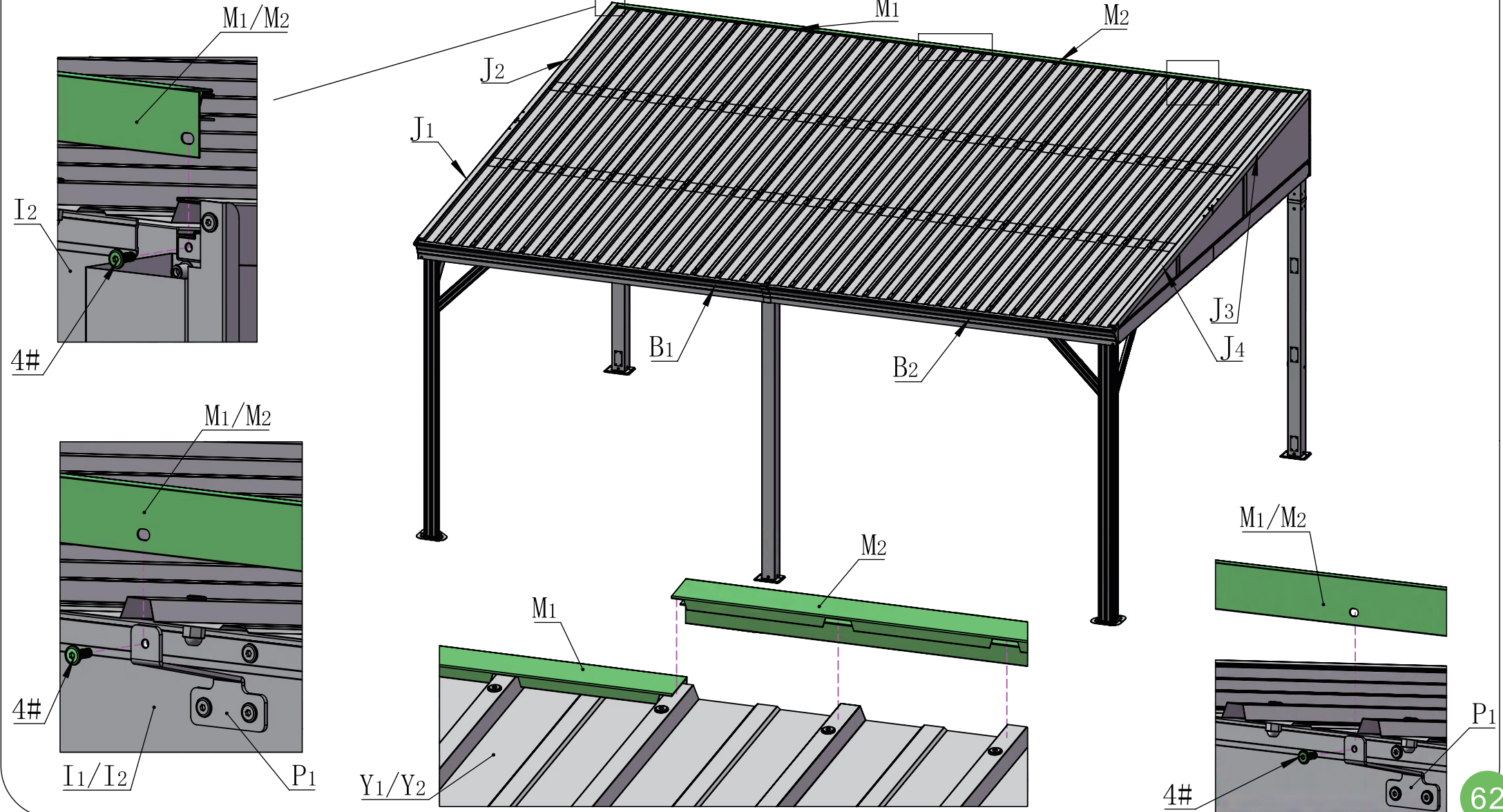
M6\*16

8X

S4

16#

1X



I2

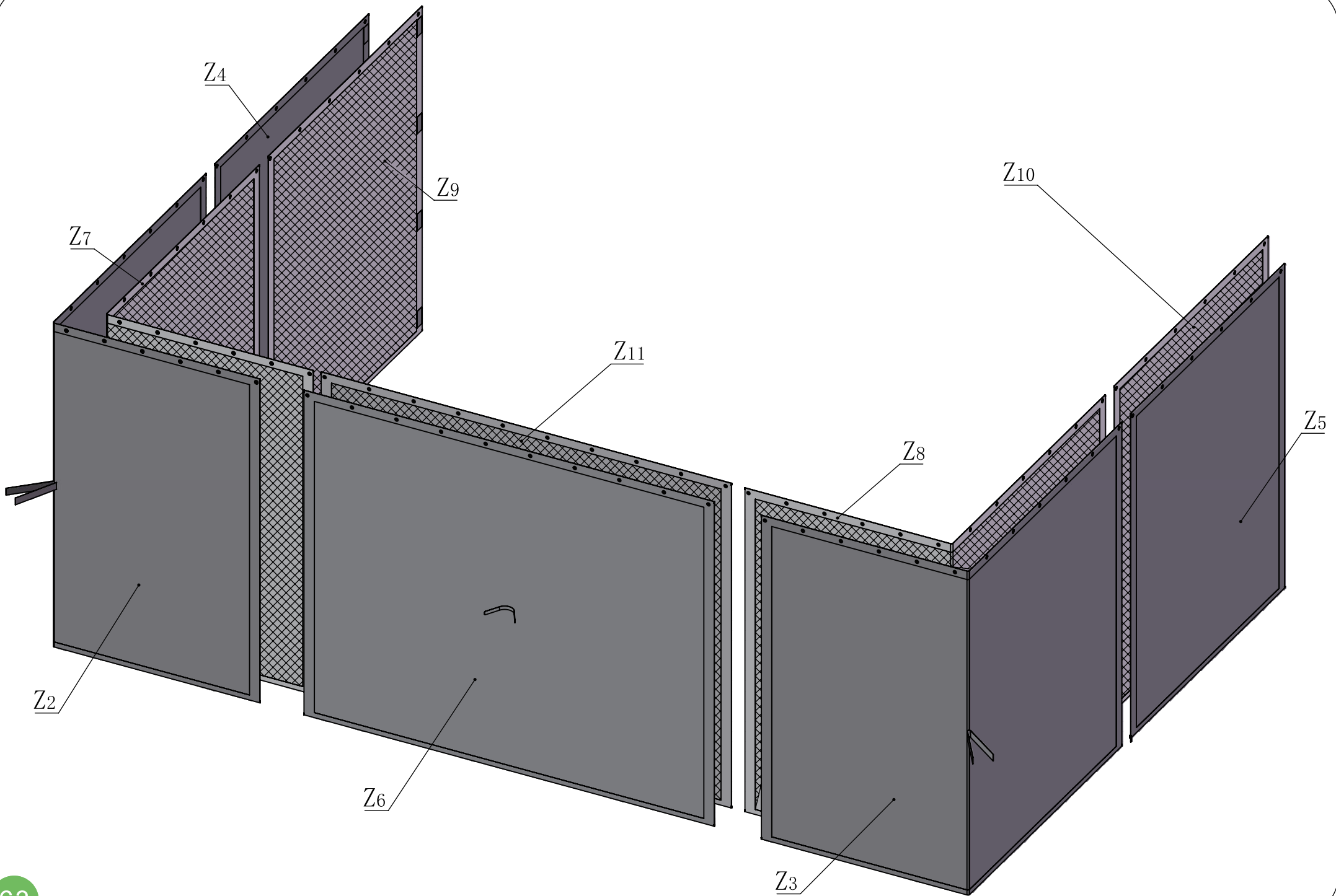
4#

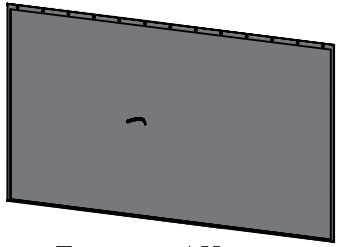
4#

I1/I2

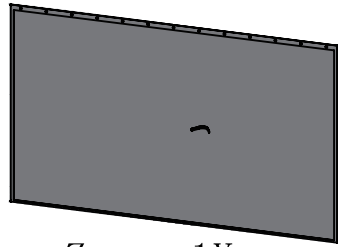
P1

Y1/Y2

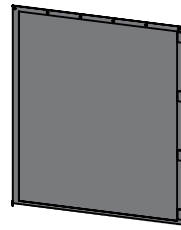




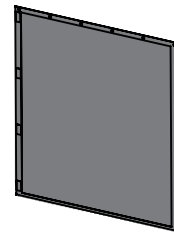
Z2 1X



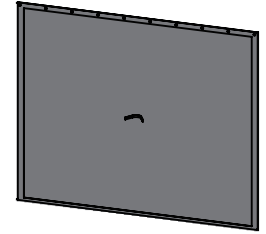
Z3 1X



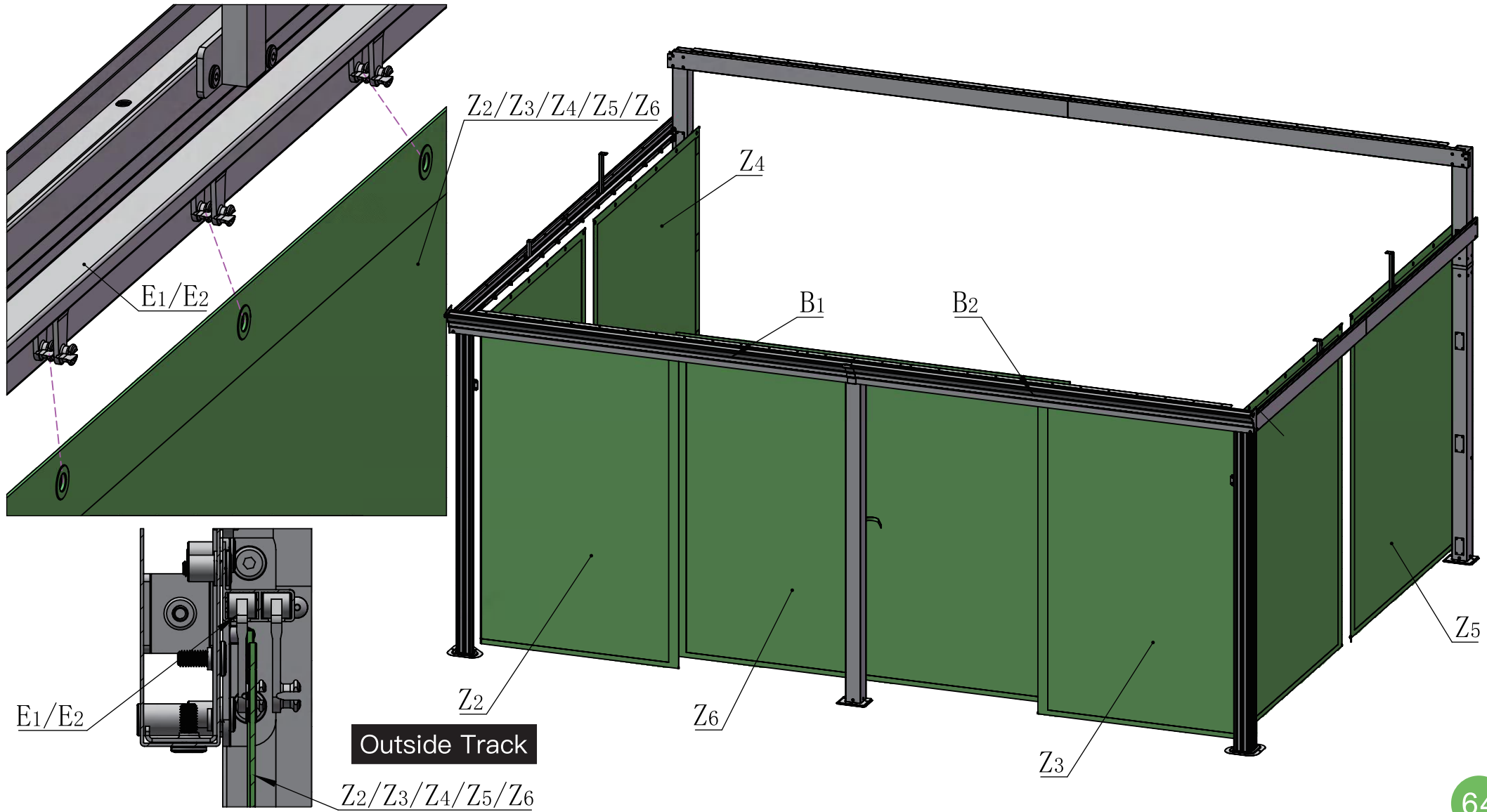
Z4 1X

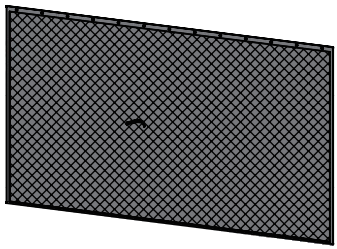


Z5 1X

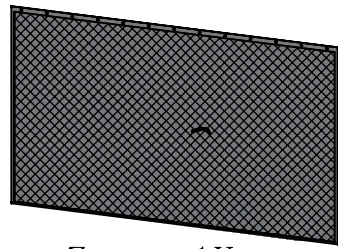


Z6 1X

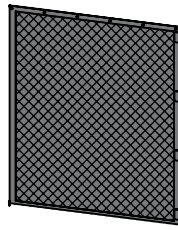




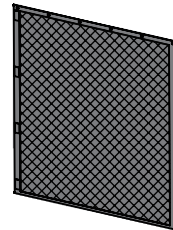
Z7 1X



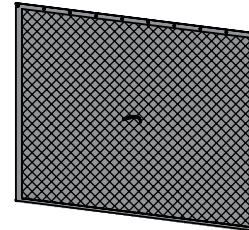
Z8 1X



Z9 1X

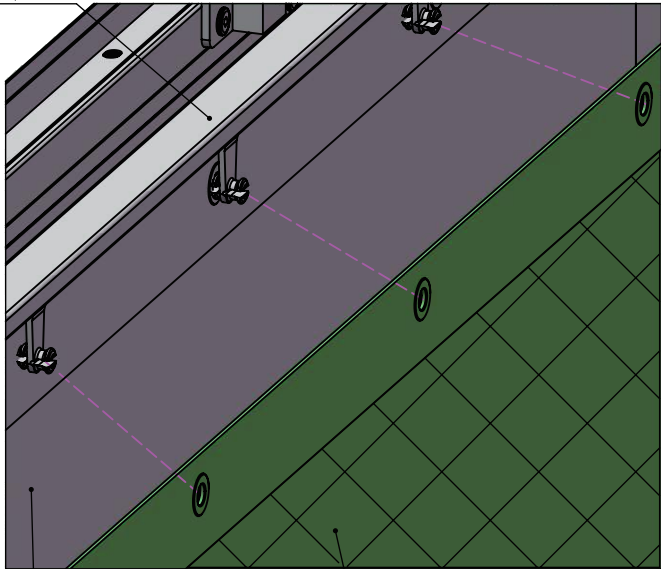


Z10 1X

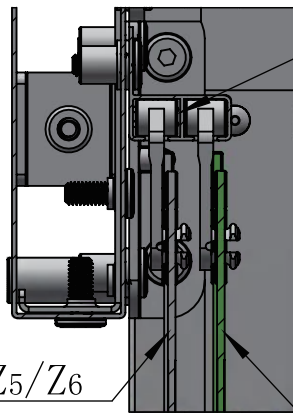
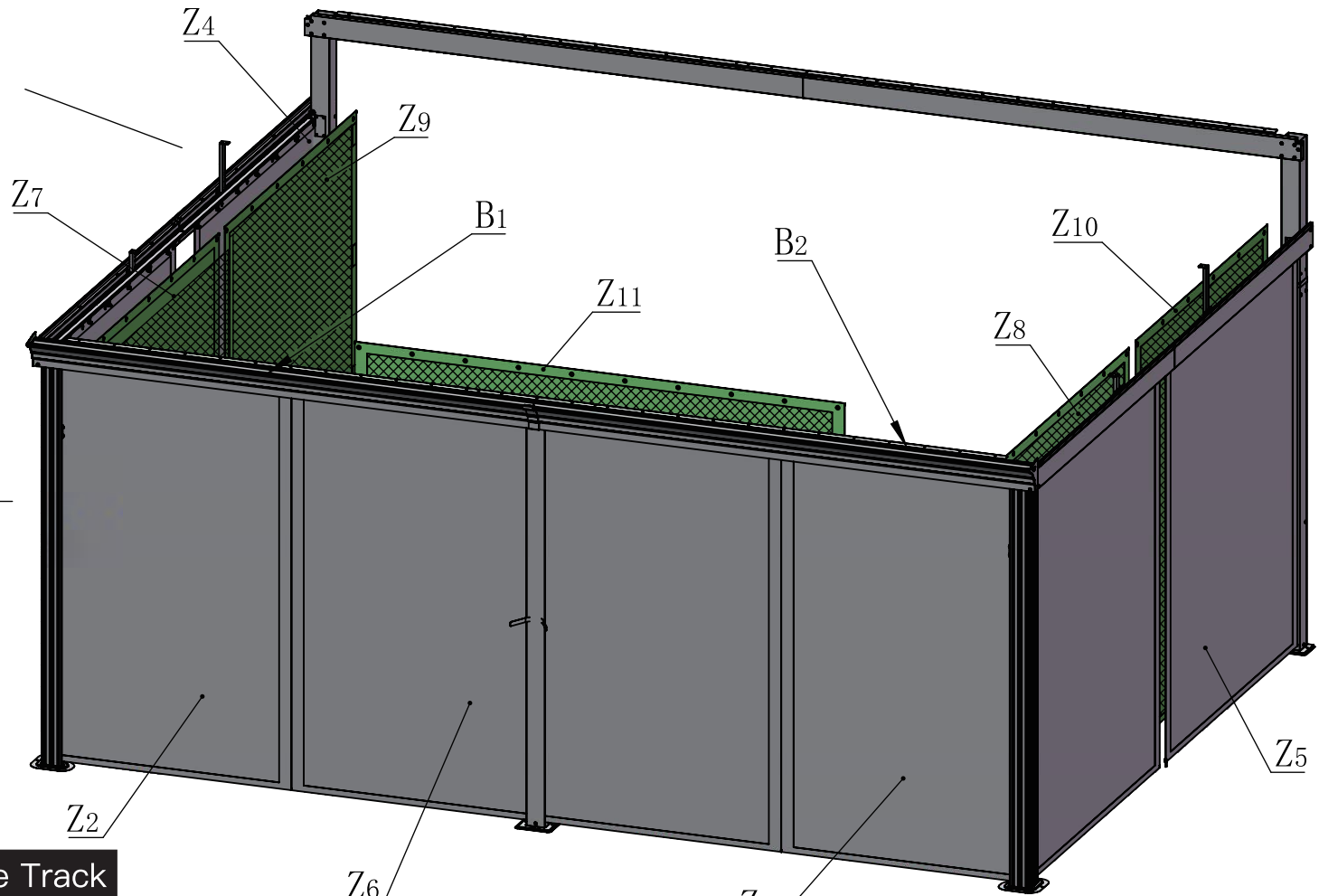


Z11 1X

E1/E2



Z2/Z3/Z4/Z5/Z6 Z7/Z8/Z9/Z10/Z11

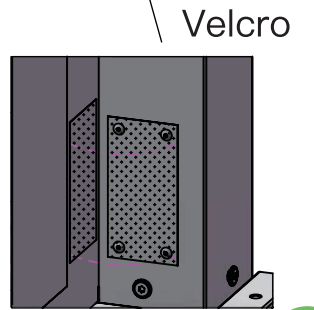
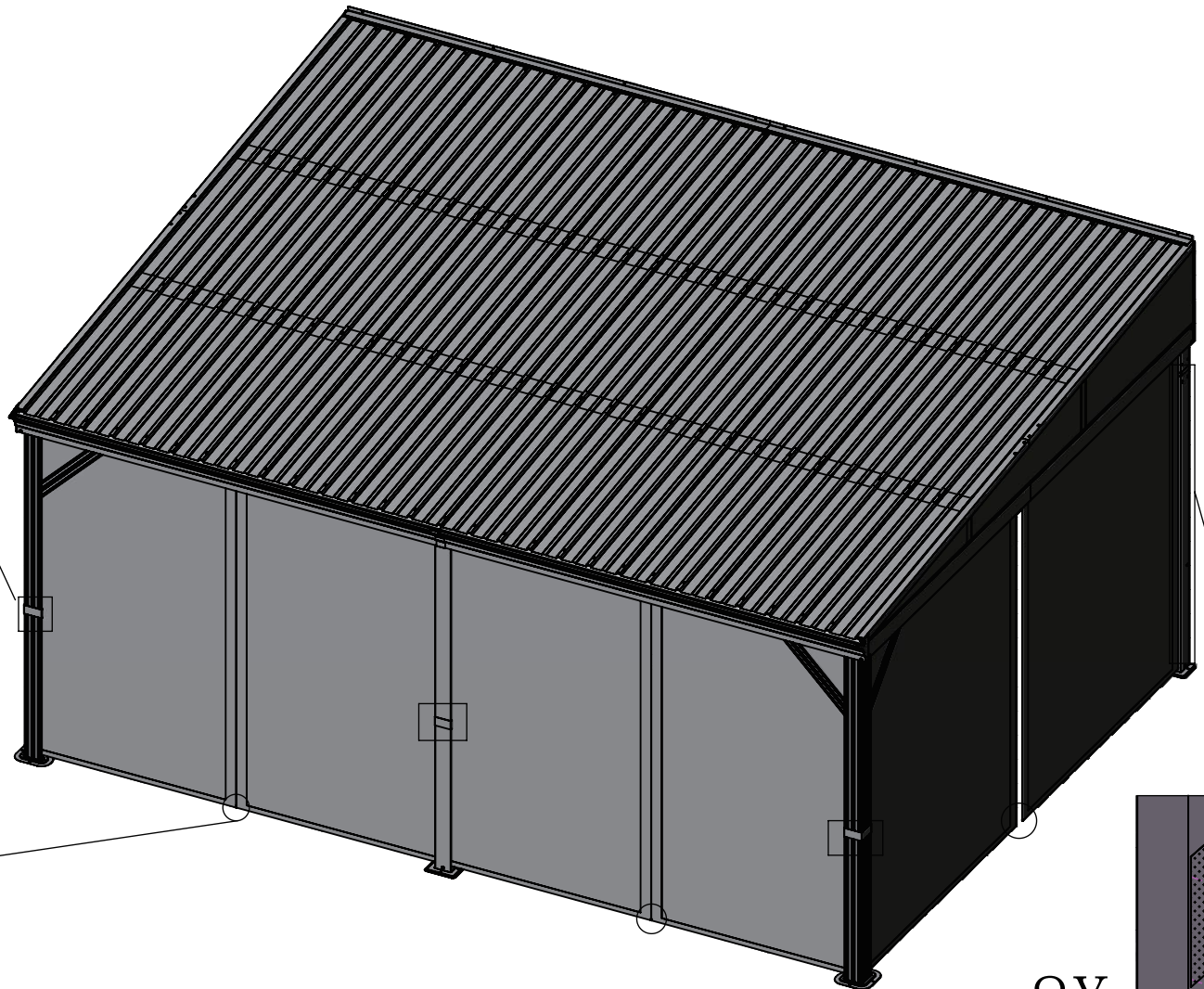
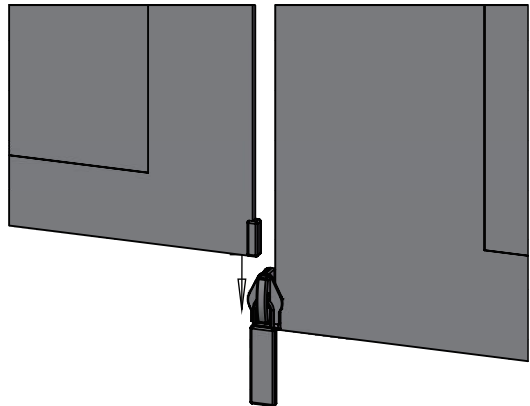
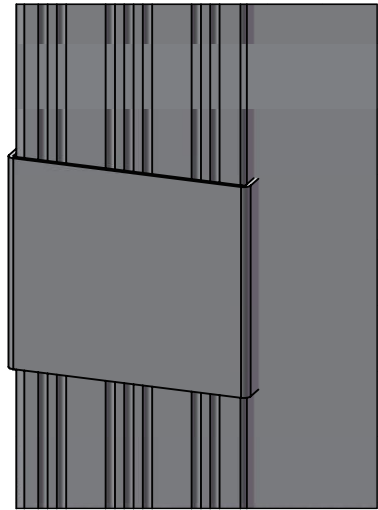


E1/E2

Inside Track

Z2/Z3/Z4/Z5/Z6

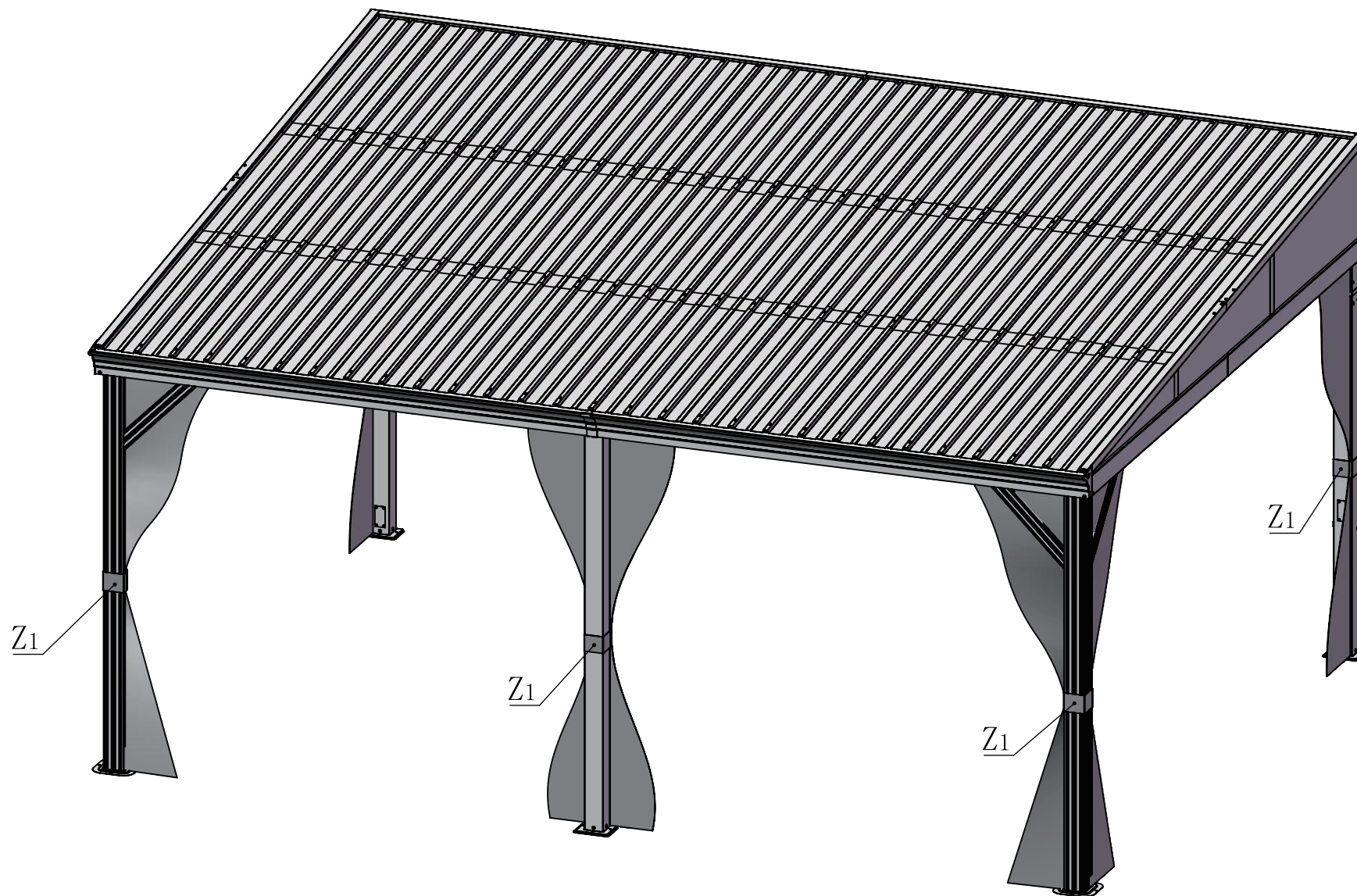
Z7/Z8/Z9/Z10/Z11

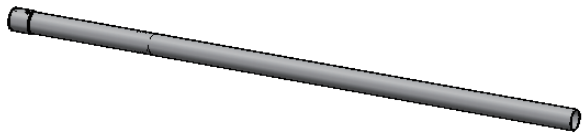


8X

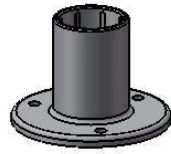


Z1 5X

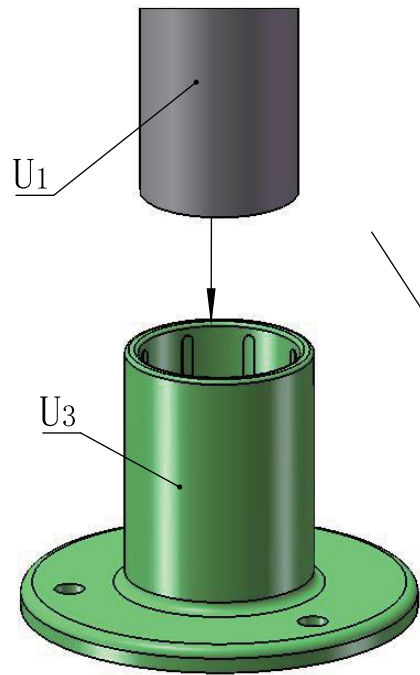




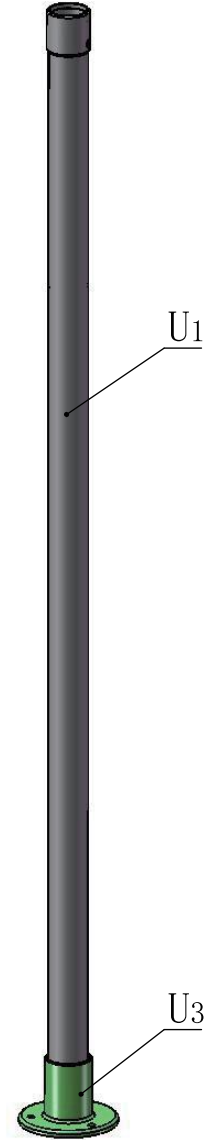
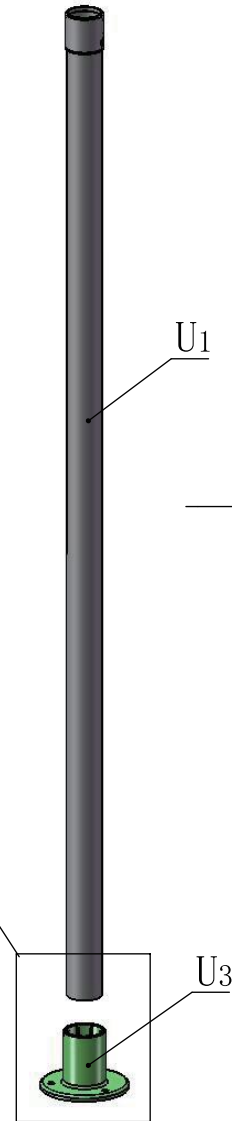
U<sub>1</sub> 2X



U<sub>3</sub> 2X

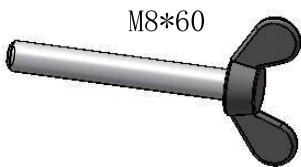


2X





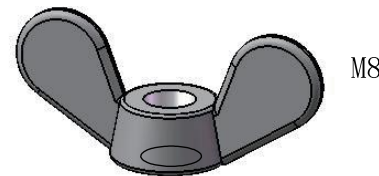
U2 2X



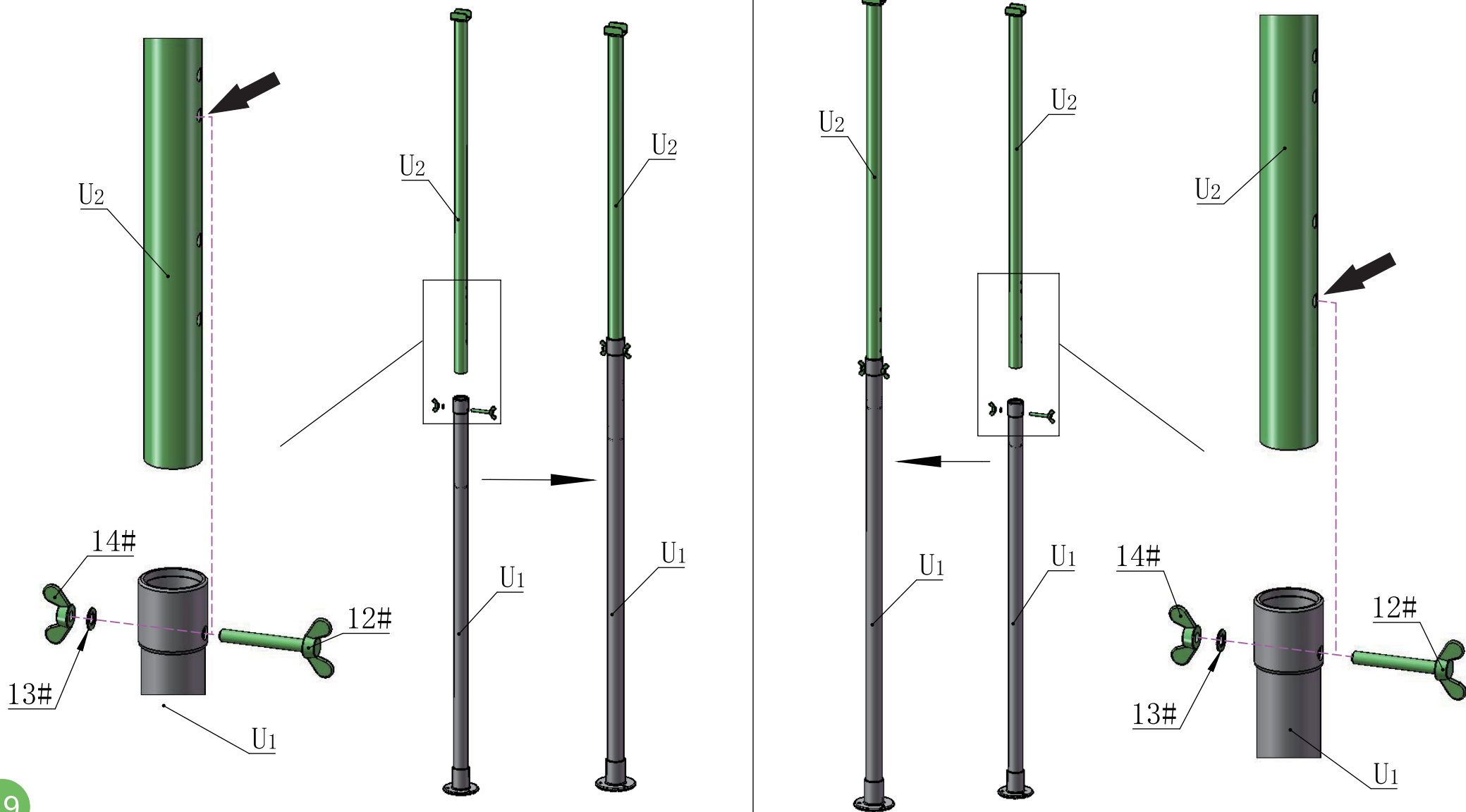
12# 2X



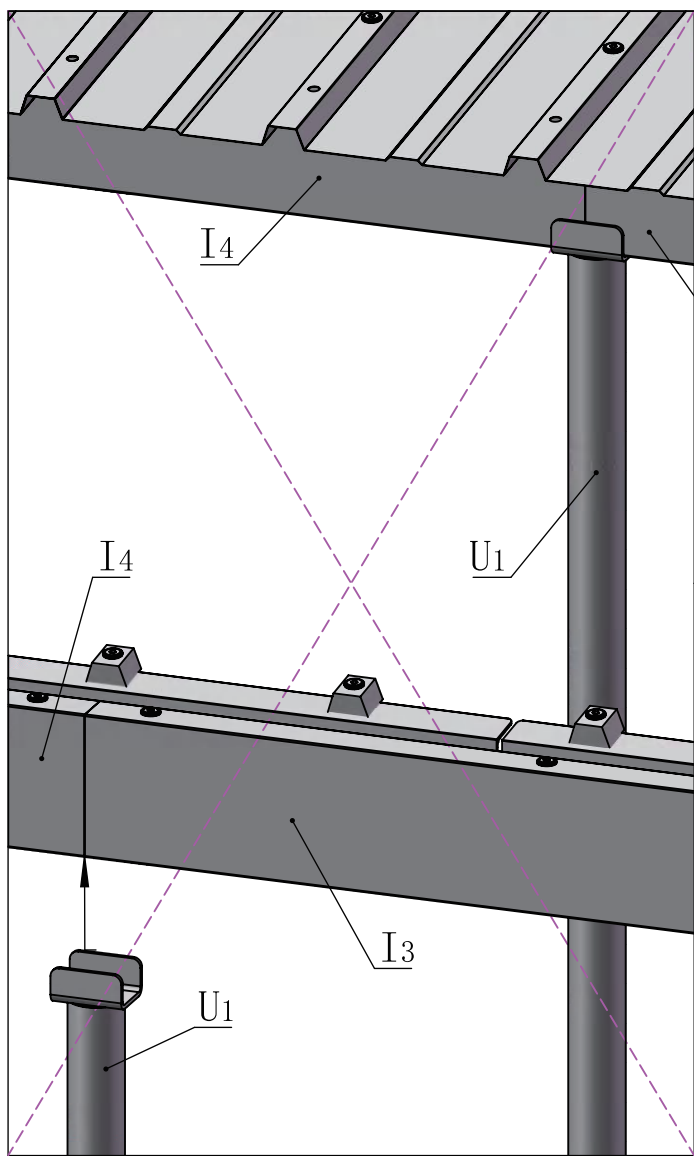
13# 2X

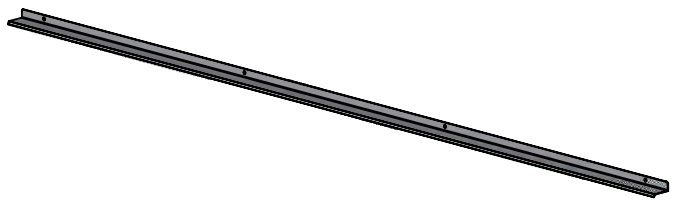


14# 2X

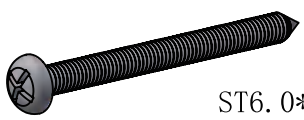


The two support tubes can strengthen the weight capacity of the metal roof. In bad weather, especially snowstorm, they are essentially needed to prevent the roof from collapsing under heavy snow. In daily life, you can put them away.

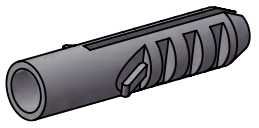




M3 2X

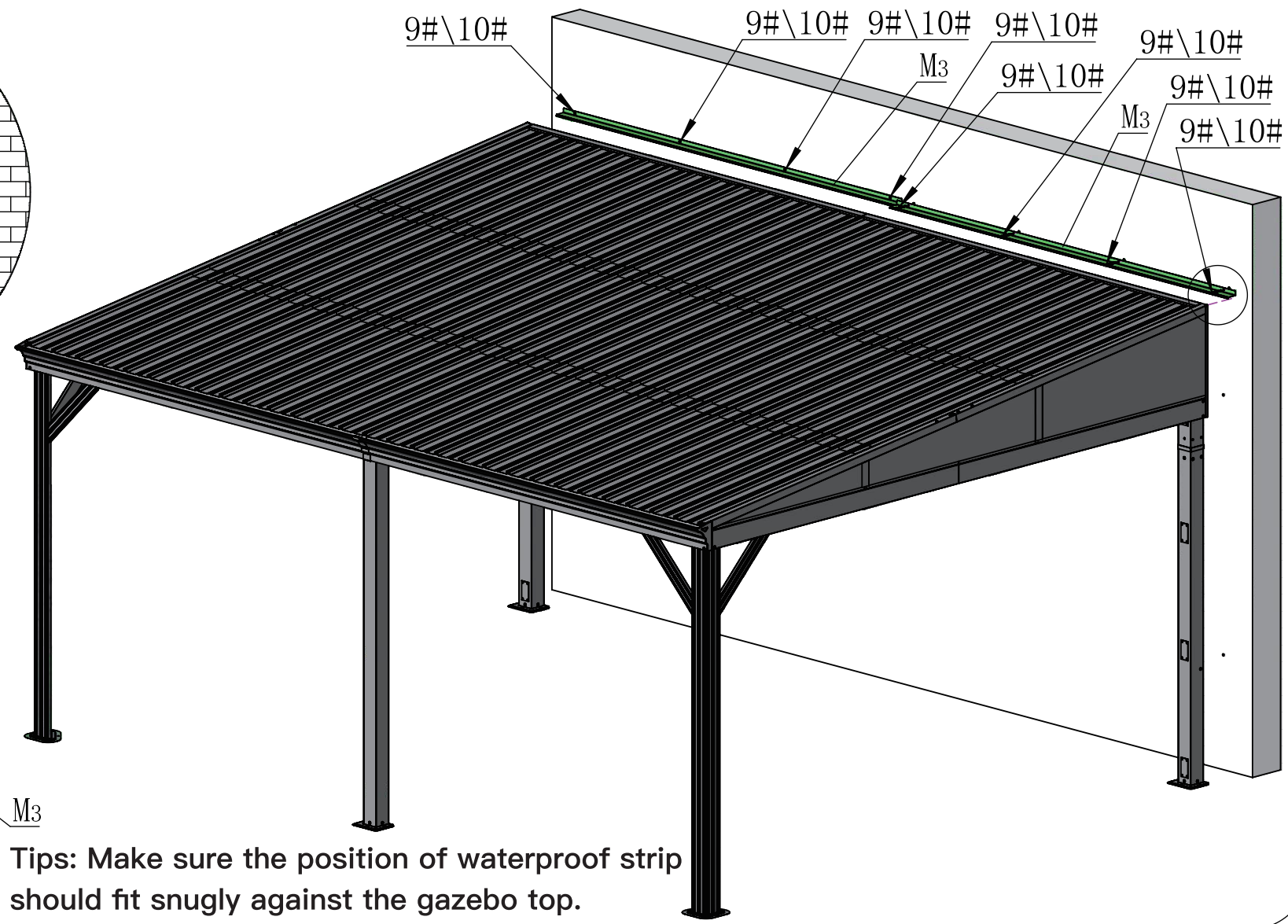
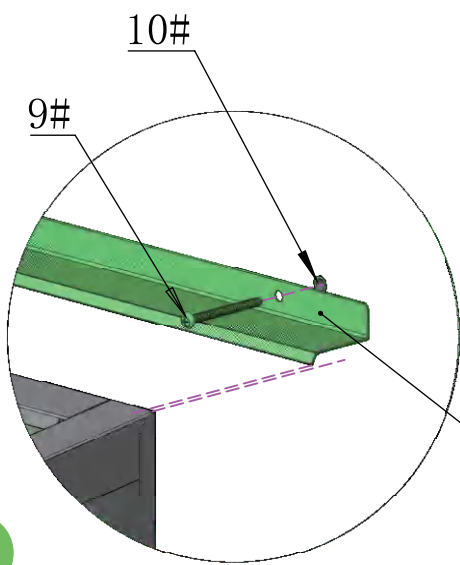
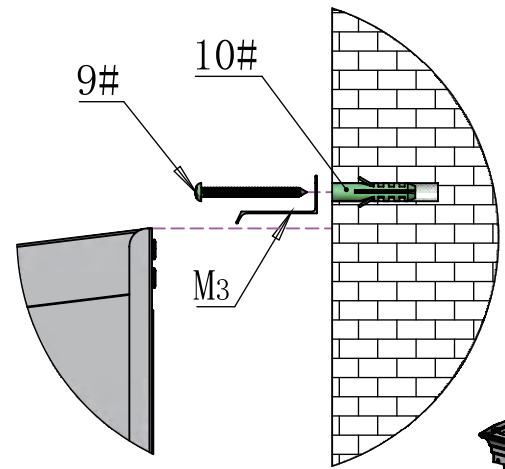


9# 8X

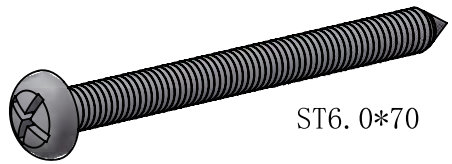


10# 8X

Follow this step-by-step installation if you need to fix the canopy to the wall (you need to drill holes into the wall). Otherwise please skip this step.



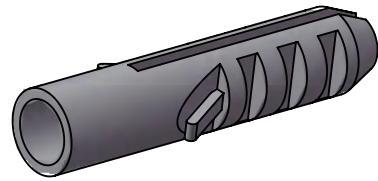
Tips: Make sure the position of waterproof strip should fit snugly against the gazebo top.



ST6. 0\*70

9#

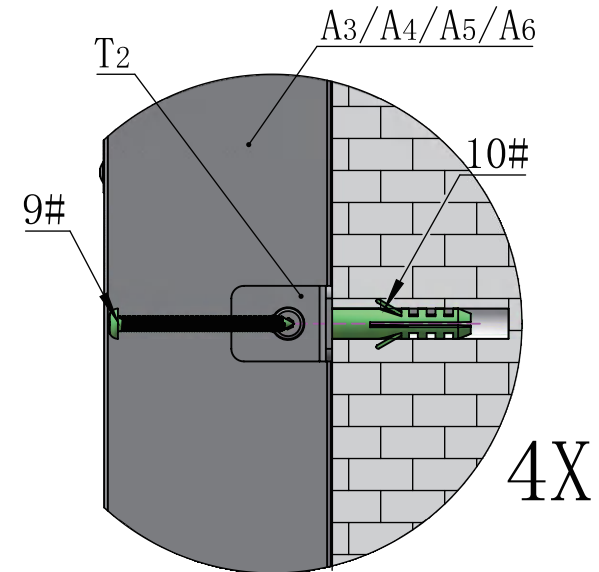
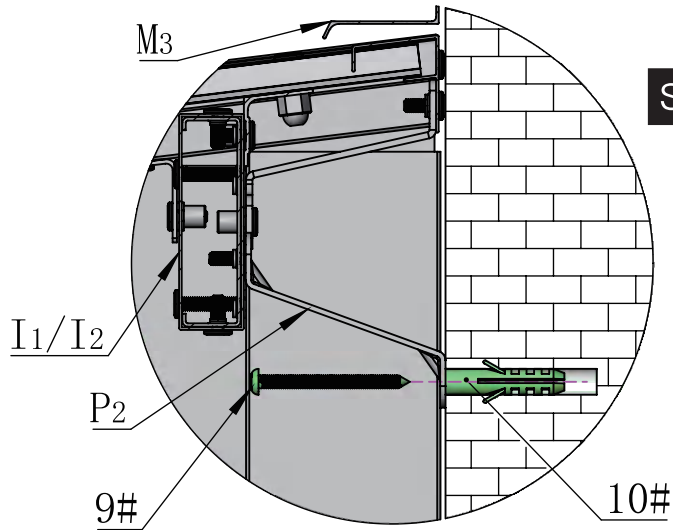
6X



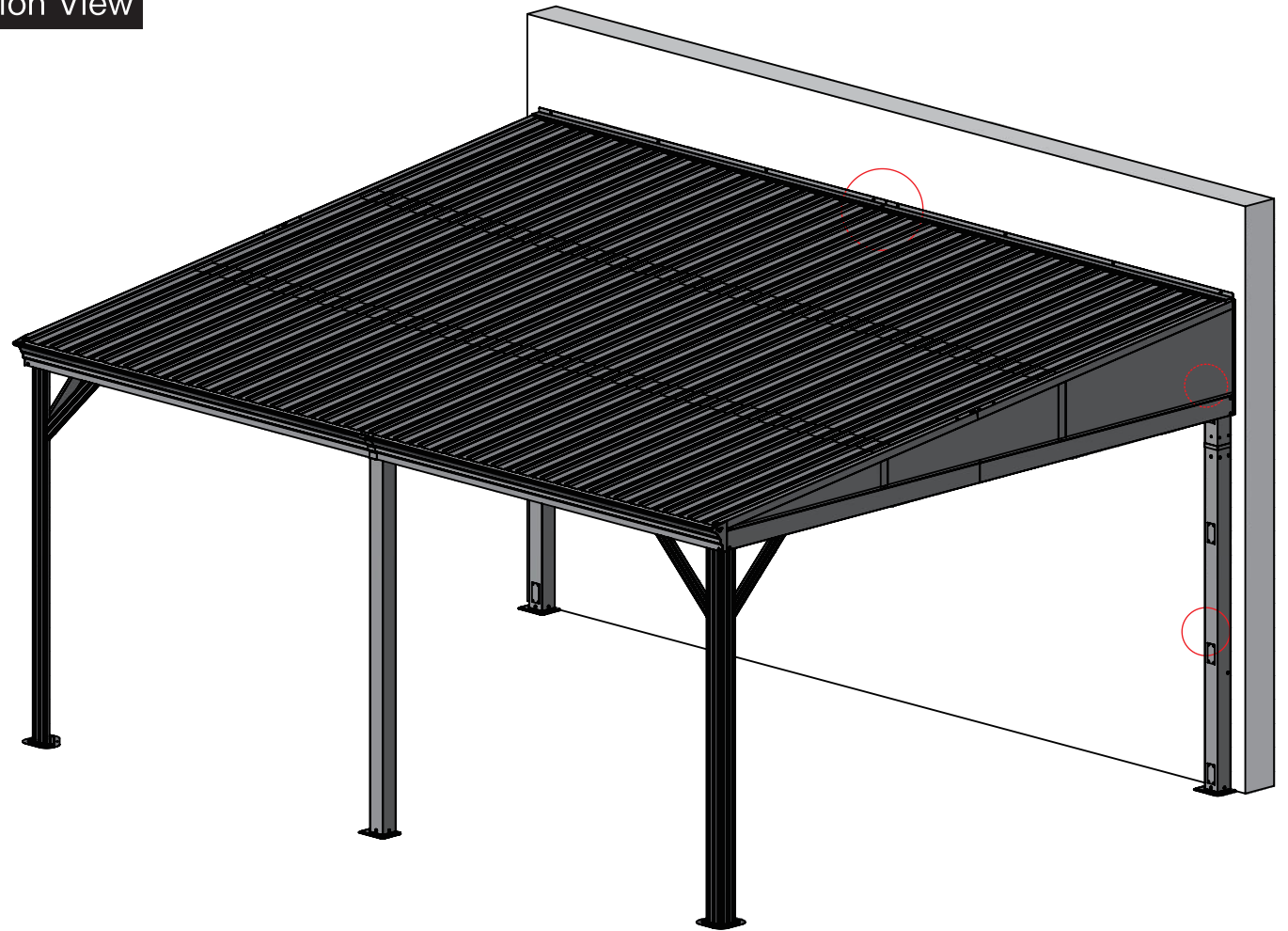
10#

6X

Section View



4X



# Care and Cleaning

Wash frame parts and fabric with mild soap and water, rinse thoroughly.

Dry frame completely and allow the fabric to drip dry.

Do not use bleach, acid, or other solvents on the fabric or frame parts.

Please inspect and tighten all bolts or fasteners on a regular basis to ensure proper performance and safety of your gazebo.

# Warranty

## Frames

Frames constructions are warranted to be free from defects in material and workmanship for 1 year from item purchased. Damage to frame from negligence won't be covered by this warranty.

## Netting

Netting are warranted to be free from defects in material and workmanship for 1 year from item purchased. Damage from exposure to chemicals (including but not only oils ,spills, fluids) won't be covered by this warranty.

## Bolts & nuts

Bolts and nuts are warranted to be free from defects in material and workmanship for 1 year from item purchased. Damage from exposure to chemicals (including not only oils ,spills, fluids) won't be covered by this warranty.

## Warranty Limitation

This warranty is for the original purchase order only. (Order number required). This warranty is non-transferable. Domi outdoor living is responsible for the free replacement part including shipping charges for the 1 year warranty.

## Warranty Exclusion

This warranty does not cover products subject to negligence, abuse usage, inappropriate installation. Domi outdoor living reserves the right to explain warranty exclusions. When the replacement item is applied, the 1 year warranty automatically expires. Please feel free to contact us for applying warranty.



RESORT COMFORT IN YONR  
OWN BACKYARD

**Support:**



**Business cooperation contact email:**

[marketing@domioutdoorliving.com](mailto:marketing@domioutdoorliving.com)

**After-sales contact email:**

[service@domioutdoorliving.com](mailto:service@domioutdoorliving.com)

Please tell us your order ID when contact.

Attach photos of damaged part for instant reply.