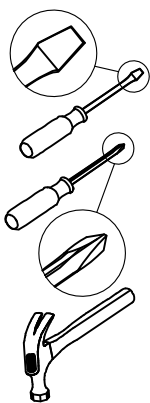


As this item contains many parts, please read the installation instruction carefully before installation and complete the installation with the cooperation of your partner. Please use tools properly and carefully. If you have any questions about the product and installation, please contact us.

Our professional after-sales team will serve you online all day.

Before You Start



- ✓ Read through each step carefully and follow the proper order
- ✓ Separate and count all your parts and hardware
- ✓ Give yourself enough room for the assembly process
- ✓ Have the following tools: Flat Head Screwdriver, #2 Phillips Head Screwdriver and Hammer
- ✓ Caution: If using a power drill or power screwdriver for screwing, please be aware of to slow down and stop when screw is tight. Failure to do so may result in stripping the screw.

Helpful Hints

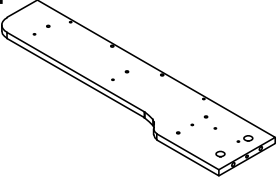
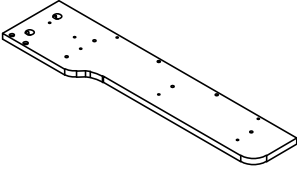
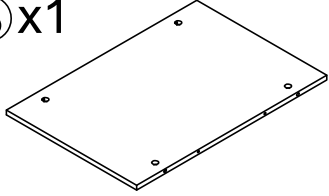
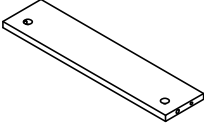
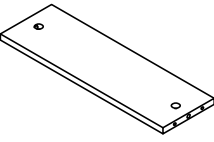
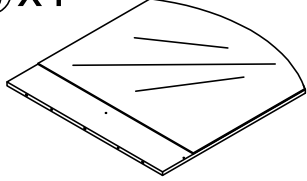
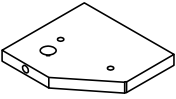
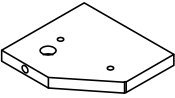
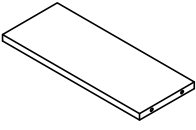
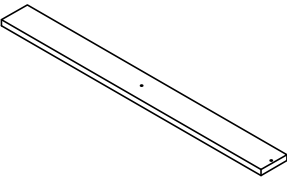
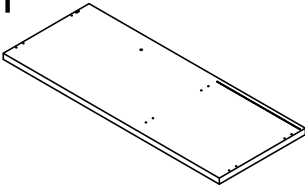
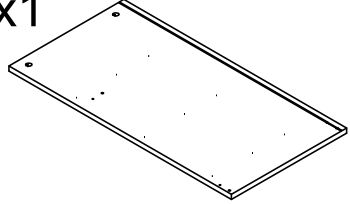
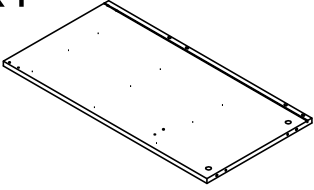
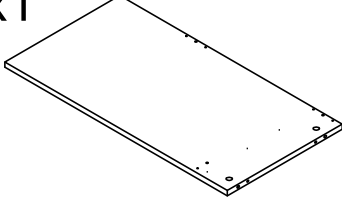
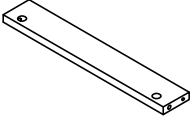
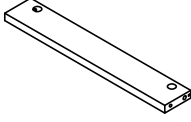
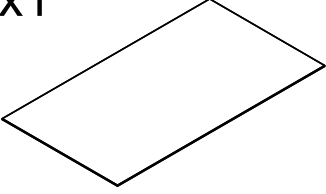
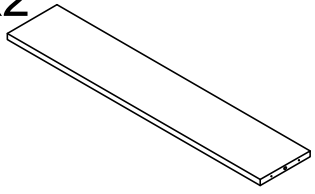
PEOPLE NEEDED FOR ASSEMBLY: 1-2

- Open your item in the area you plan to keep it to avoid excessive heavy lifting.
- Identify, sort and count the parts before attempting assembly.
- Compression dowels are lightly tapped in with a hammer.
- Slides are labeled with an **R** (right) and **L** (left) for proper placement.
- Make sure to always face the point on the top of the Cam Lock towards the outer edge.
- Use all the nails provided for the back panel and spread them out equally.
- Back panel must be used to make sure your unit is sturdy.
- Do NOT use harsh chemicals or abrasive cleaners on this item.
- Never push, pull, or drag your furniture.



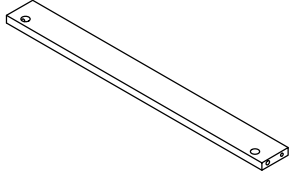
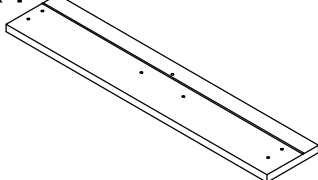
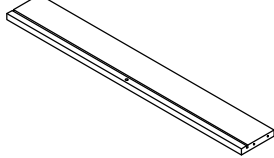
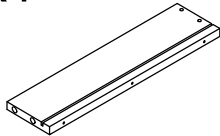
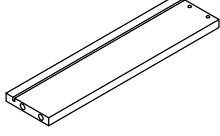
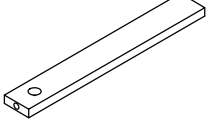
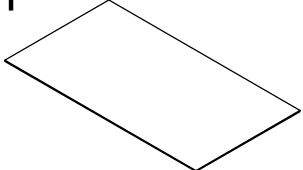
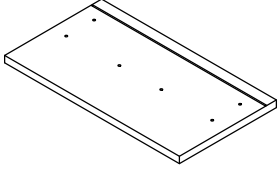
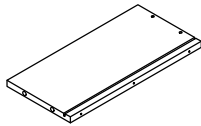
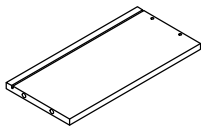
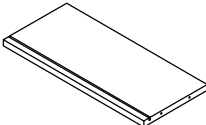
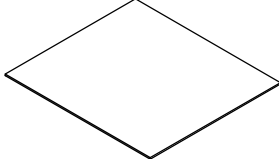
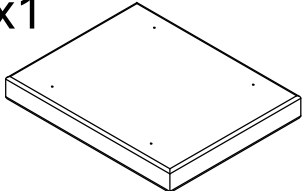
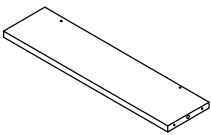
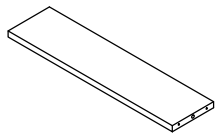
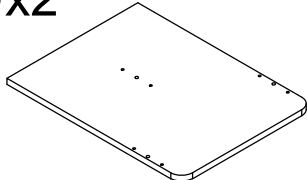
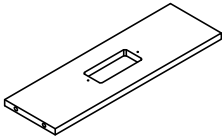
Board Identification

Not actual size

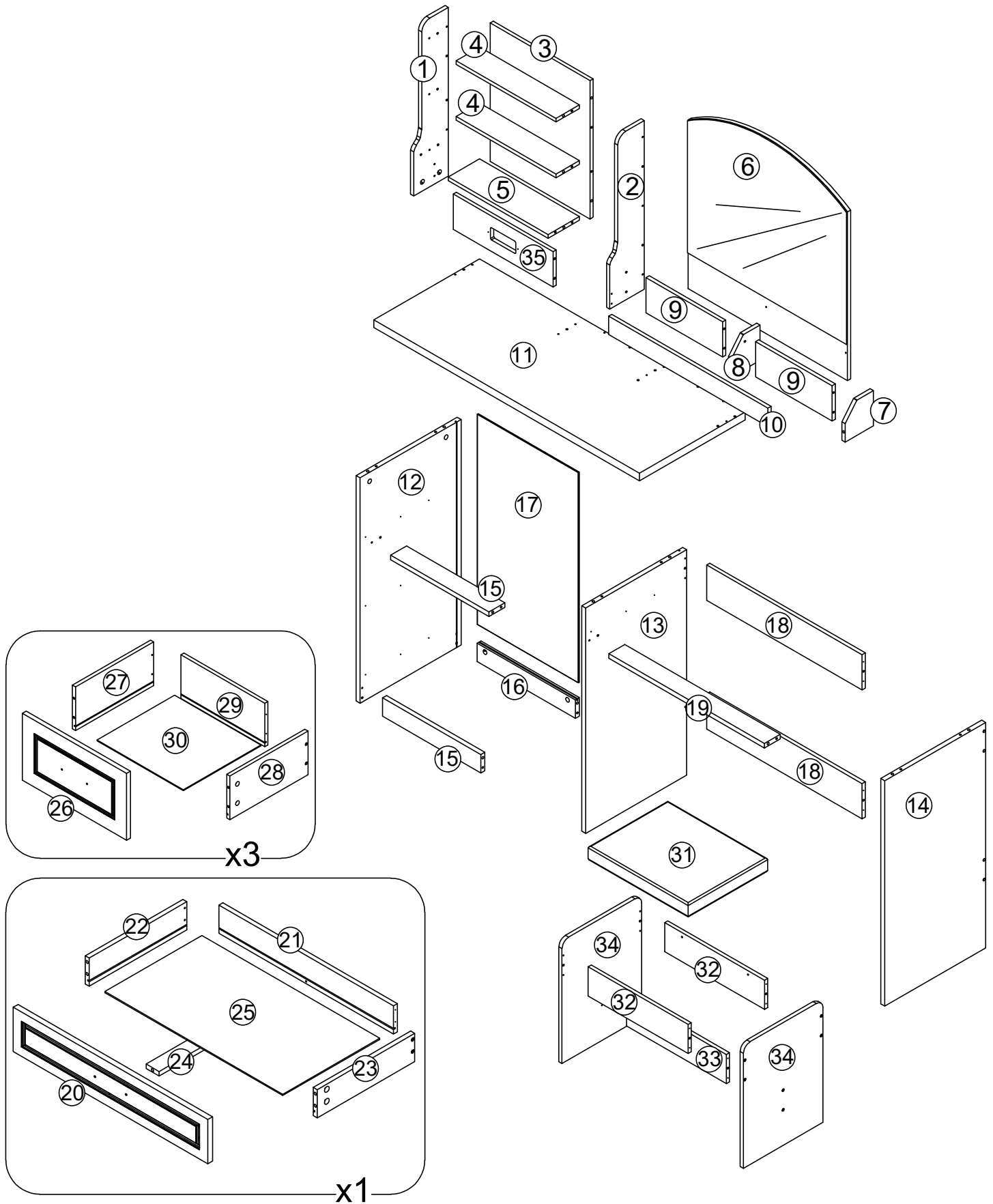
| | | |
|--|--|--|
| <p>①x1</p>  | <p>②x1</p>  | <p>③x1</p>  |
| <p>Upper left left side panel</p> | <p>Upper left middle side panel</p> | <p>Upper left rear panel</p> |
| <p>④x2</p>  | <p>⑤x1</p>  | <p>⑥x1</p>  |
| <p>Upper and middle fixed laminates on the upper left</p> | <p>Upper, left and lower fixed laminates</p> | <p>Upper right mirror rear plate</p> |
| <p>⑦x1</p>  | <p>⑧x1</p>  | <p>⑨x2</p>  |
| <p>Upper right small side panel</p> | <p>Upper right vertical small grid</p> | <p>Upper right grid</p> |
| <p>⑩x1</p>  | <p>⑪x1</p>  | <p>⑫x1</p>  |
| <p>Upper right front baffle</p> | <p>Middle panel</p> | <p>Lower left side plate</p> |
| <p>⑬x1</p>  | <p>⑭x1</p>  | <p>⑮x2</p>  |
| <p>Lower middle side plate</p> | <p>Lower right side plate</p> | <p>Upper left and lower horizontal bars</p> |
| <p>⑯x1</p>  | <p>⑰x1</p>  | <p>⑱x2</p>  |
| <p>Lower left rear vertical bar</p> | <p>Lower left rear panel</p> | <p>Right rear upper and lower vertical stripes</p> |

Board Identification

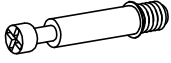




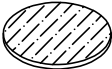

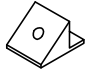







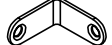


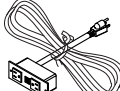

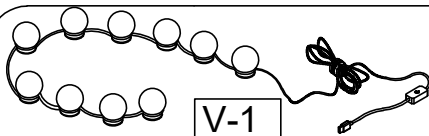
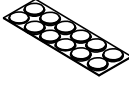
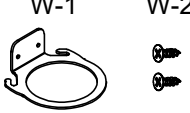




Not actual size

| | | |
|---|---|---|
| <p>①9x1</p>  | <p>②0x1</p>  | <p>②1x1</p>  |
| Right draw down the horizontal bar | Front plate of large drawer | Rear panel of large drawer |
| <p>②2x1</p>  | <p>②3x1</p>  | <p>②4x1</p>  |
| Left side plate of large drawer | Right side plate of large drawer | Large drawer support strip |
| <p>②5x1</p>  | <p>②6x3</p>  | <p>②7x3</p>  |
| Base plate of large drawer | Front panel of small drawer | Left side plate of small drawer |
| <p>②8x3</p>  | <p>②9x3</p>  | <p>③0x3</p>  |
| Right side plate of small drawer | Back panel of small drawer | Small drawer bottom plate |
| <p>③1x1</p>  | <p>③2x2</p>  | <p>③3x1</p>  |
| Cushion of stool | Front and rear stripes under the stool cushion | Middle cross bar under stool |
| <p>③4x2</p>  | <p>③5x1</p>  | |
| Side plate of stool | Switch plate | |

Board Identification



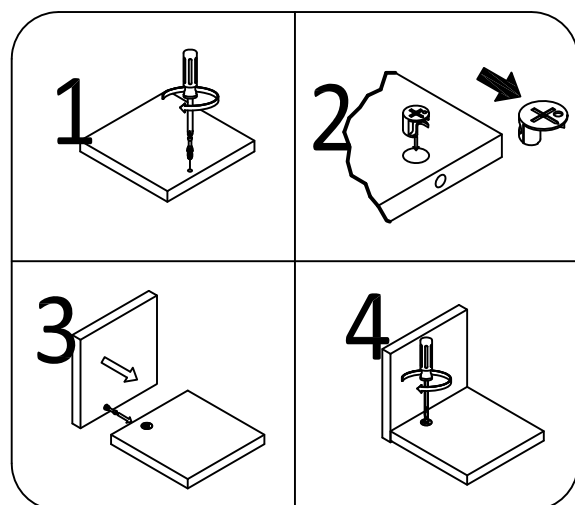
Part List

| | | | | |
|--|---|--|--|---|
|  Ø6x35mm A x57(+2) |  Ø15x10mm B x57(+2) |  Ø6x30mm C x50(+3) |  Ø4x35mm D x43 (+3) |  Ø3x12mm E x48 (+3) |
| Cam Bolt | Cam Lock | Dowel | Flat Head Tapping Screw | Sliding Track Screw |
|  Ø20mm F x10(+2) |  Ø6x40mm G x2 |  H x8 |  Ø3x16mm I x8 |  J x4 |
| Hole Patch | Dowel | Back Buckle | Back Buckle screw | Handle |
|  K x8 |  L x2 |  Ø4x12mm M x2 |  N x2 |  Ø6x30mm O x2 |
| Handle screw | Anti-Fall Strip | Round head screw | Shim | Plastic Expansion |
|  P x4 |  R x8 |  S x2 |  T x1 |  Ø3x12mm U x2 |
| L-shaped Iron Sheet | L-shaped Iron Plate Screw | Flat Head Tapping Screw | Socket | Screw |
|  V x1 | |  V-2 |  W X1 |  L300mm CL x4 |
| Lamp Accessories | | | Hair dryer holder and Screw | Sliding Track |
|  L300mm CR x4 |  L300mm DL x4 |  L300mm DR x4 | | |
| Sliding Track | Sliding Track | Sliding Track | | |

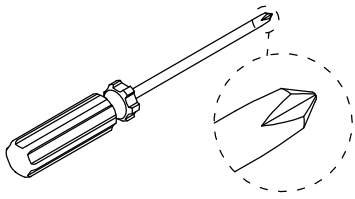
Part List


Cam Lock Fastening System


This Cam Lock Fastening System will be used throughout the assembly process.




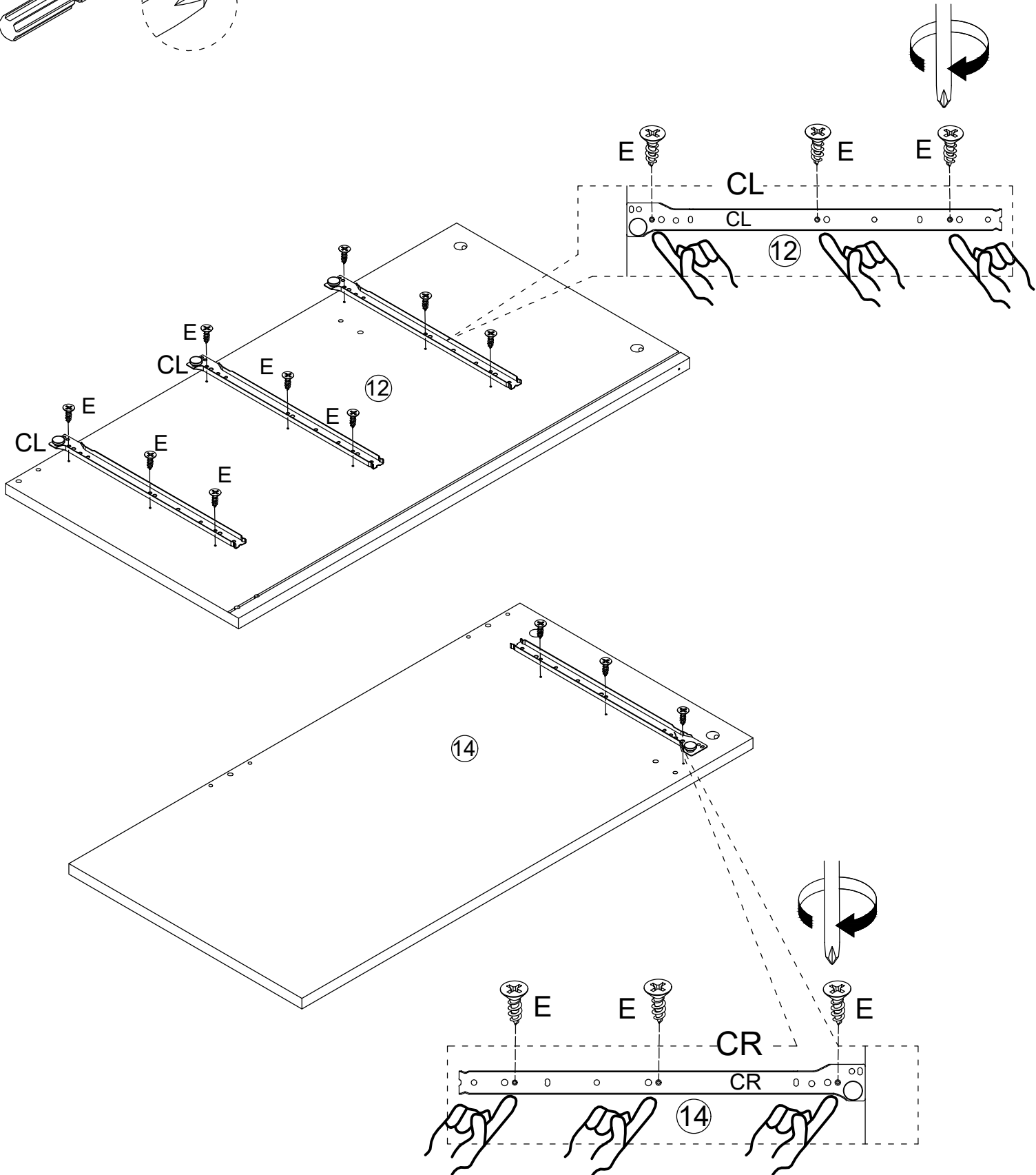
STEP 1



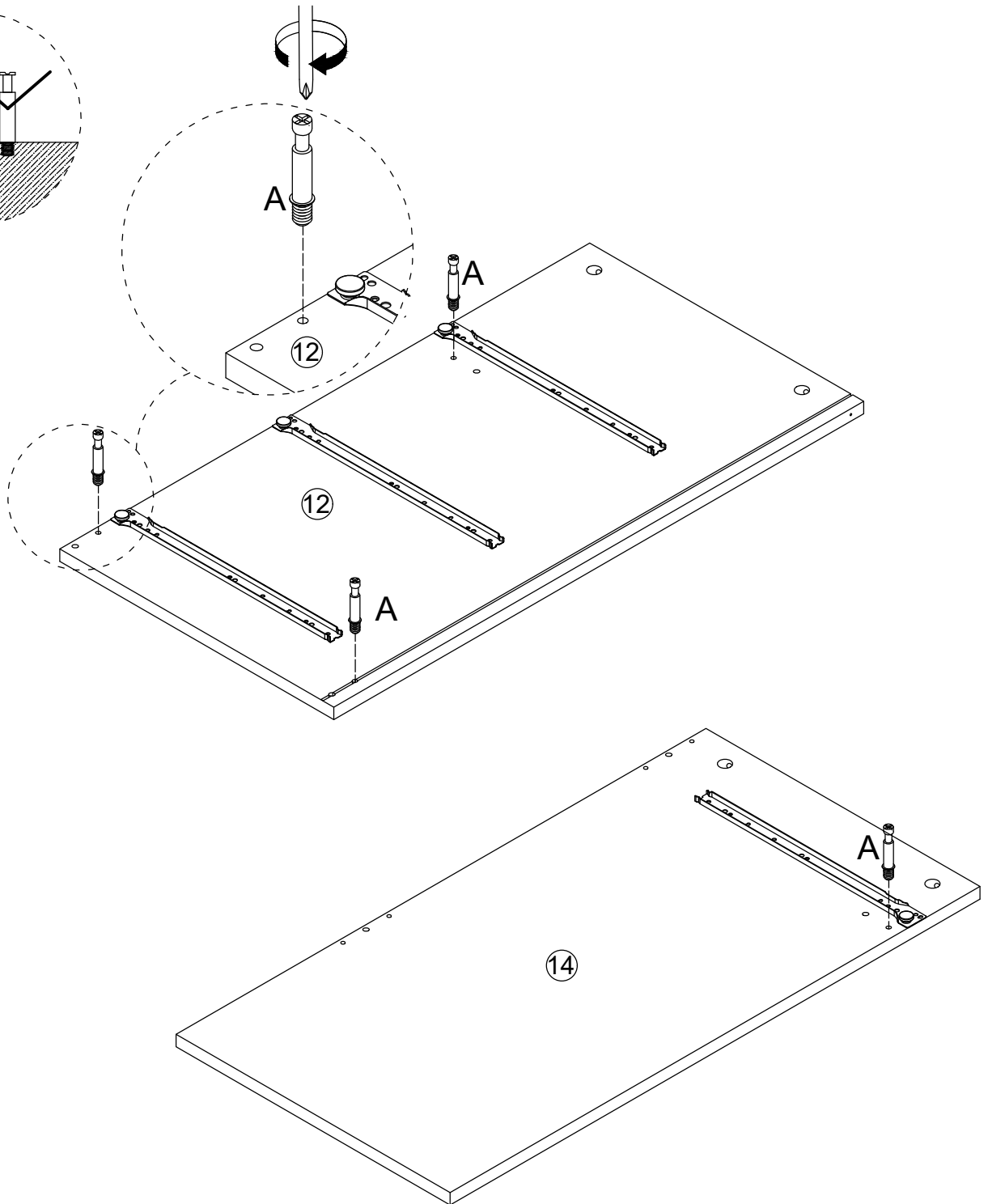
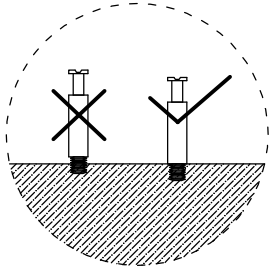
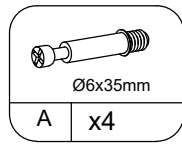
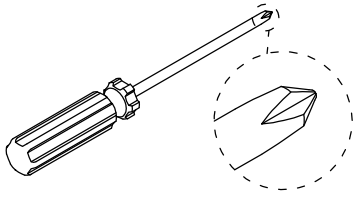
| | |
|---|-----|
|  | |
| Ø3x12mm | |
| E | x12 |

| | |
|---|----|
|  | |
| L300mm | |
| CL | x3 |

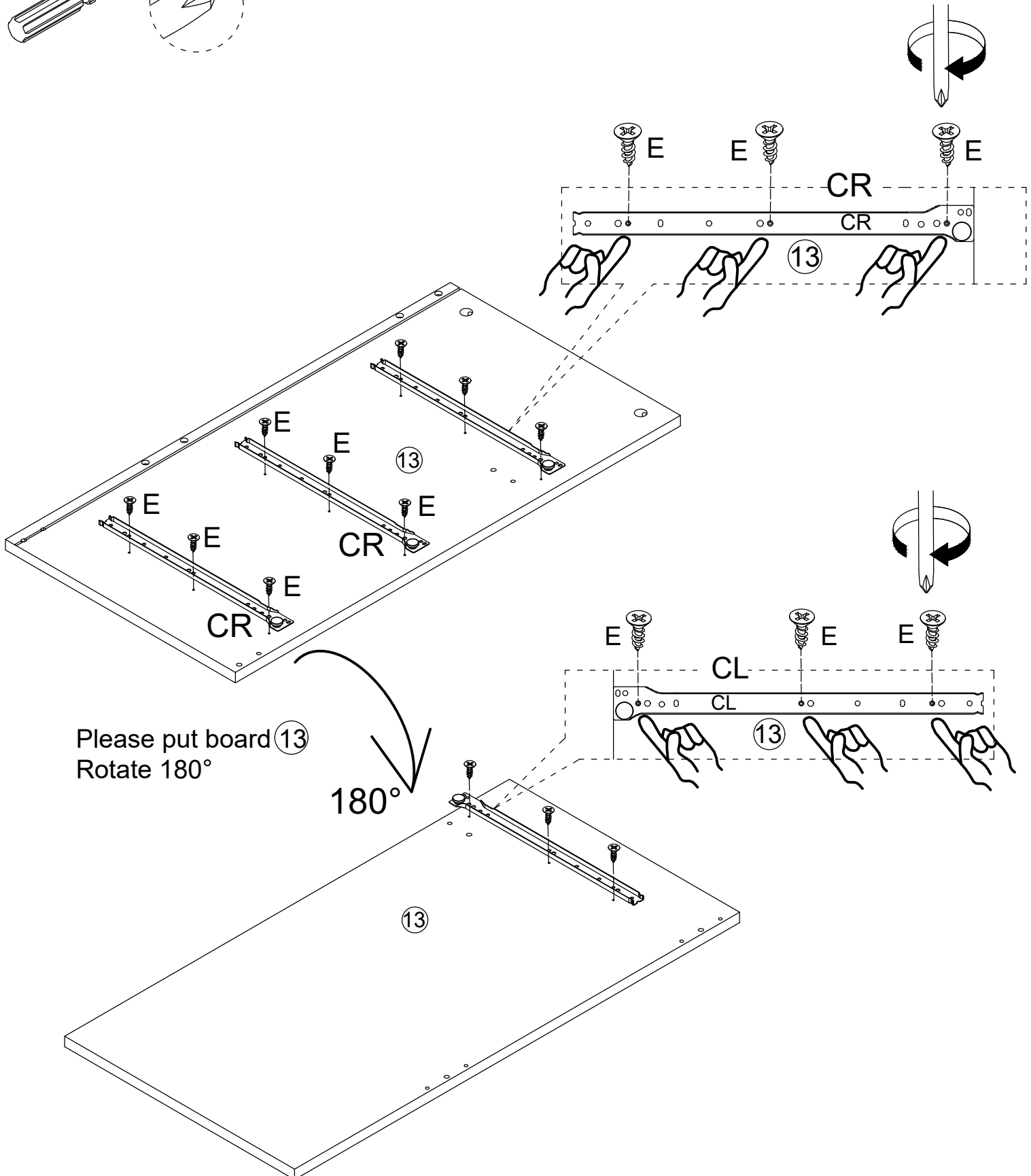
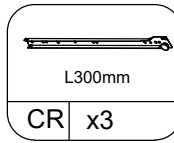
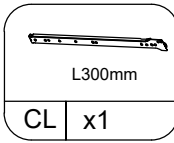
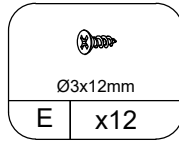
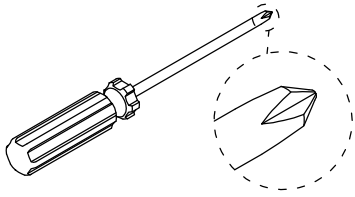
| | |
|---|----|
|  | |
| L300mm | |
| CR | x1 |



STEP 2



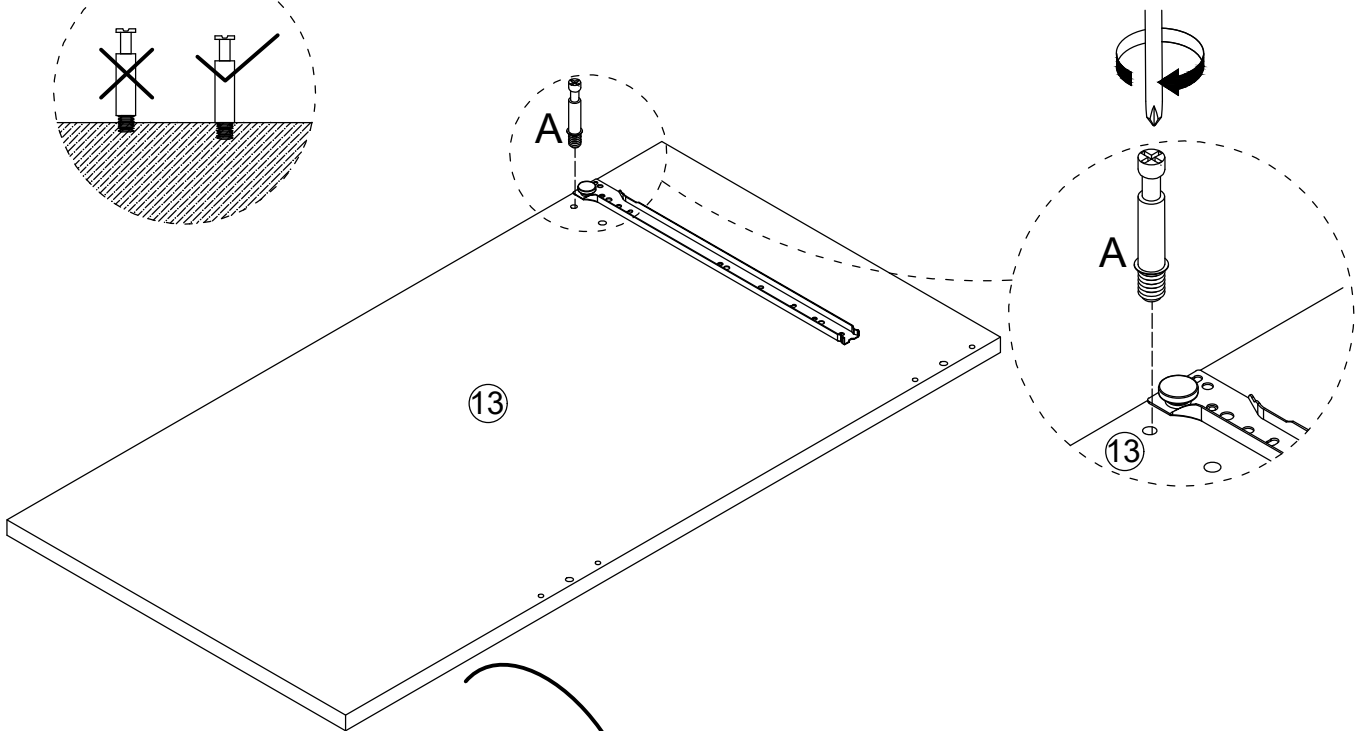
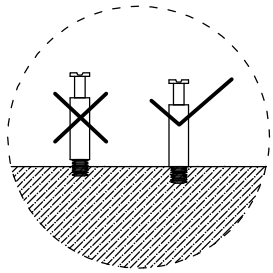
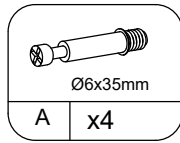
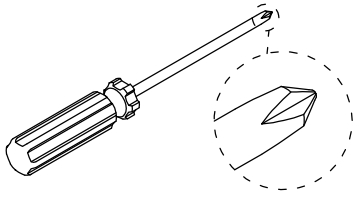
STEP 3



Please put board 13
Rotate 180°

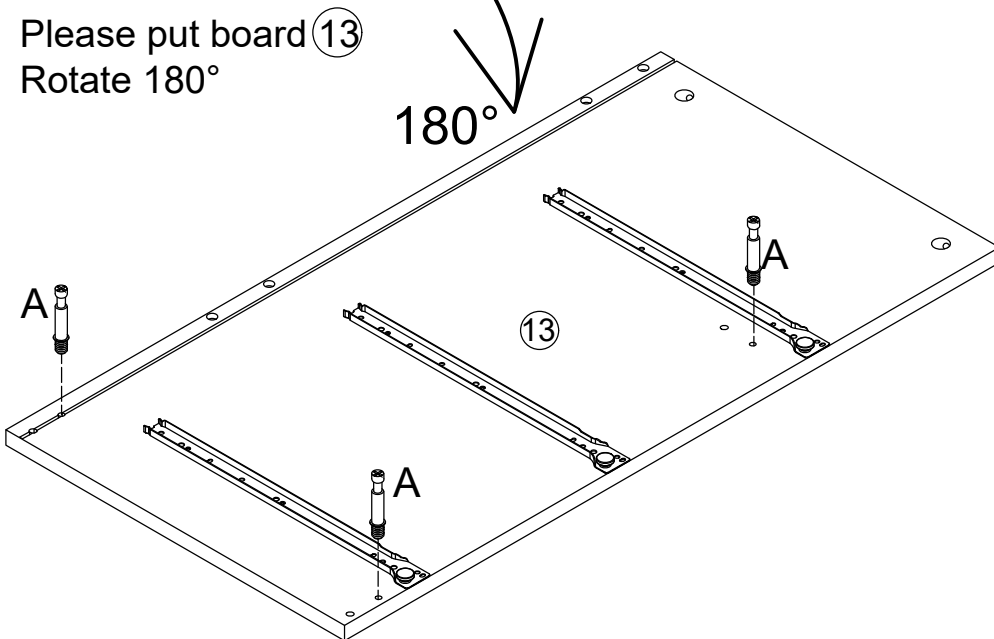
180°

STEP 4

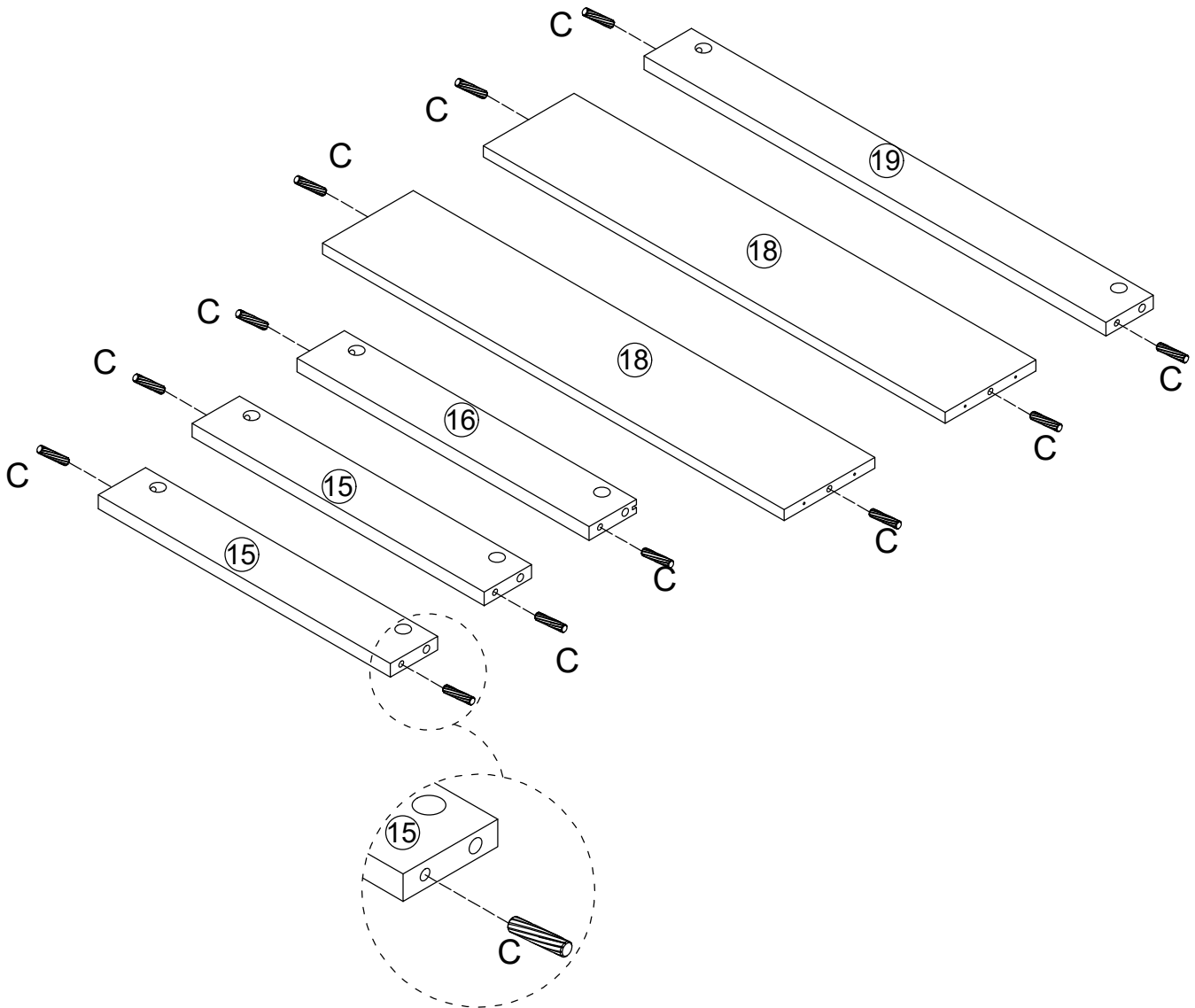
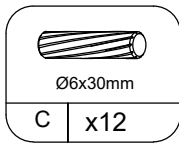


Please put board 13
Rotate 180°

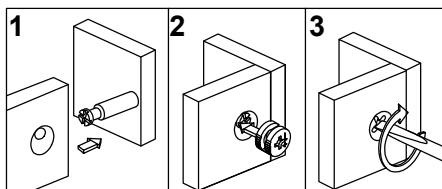
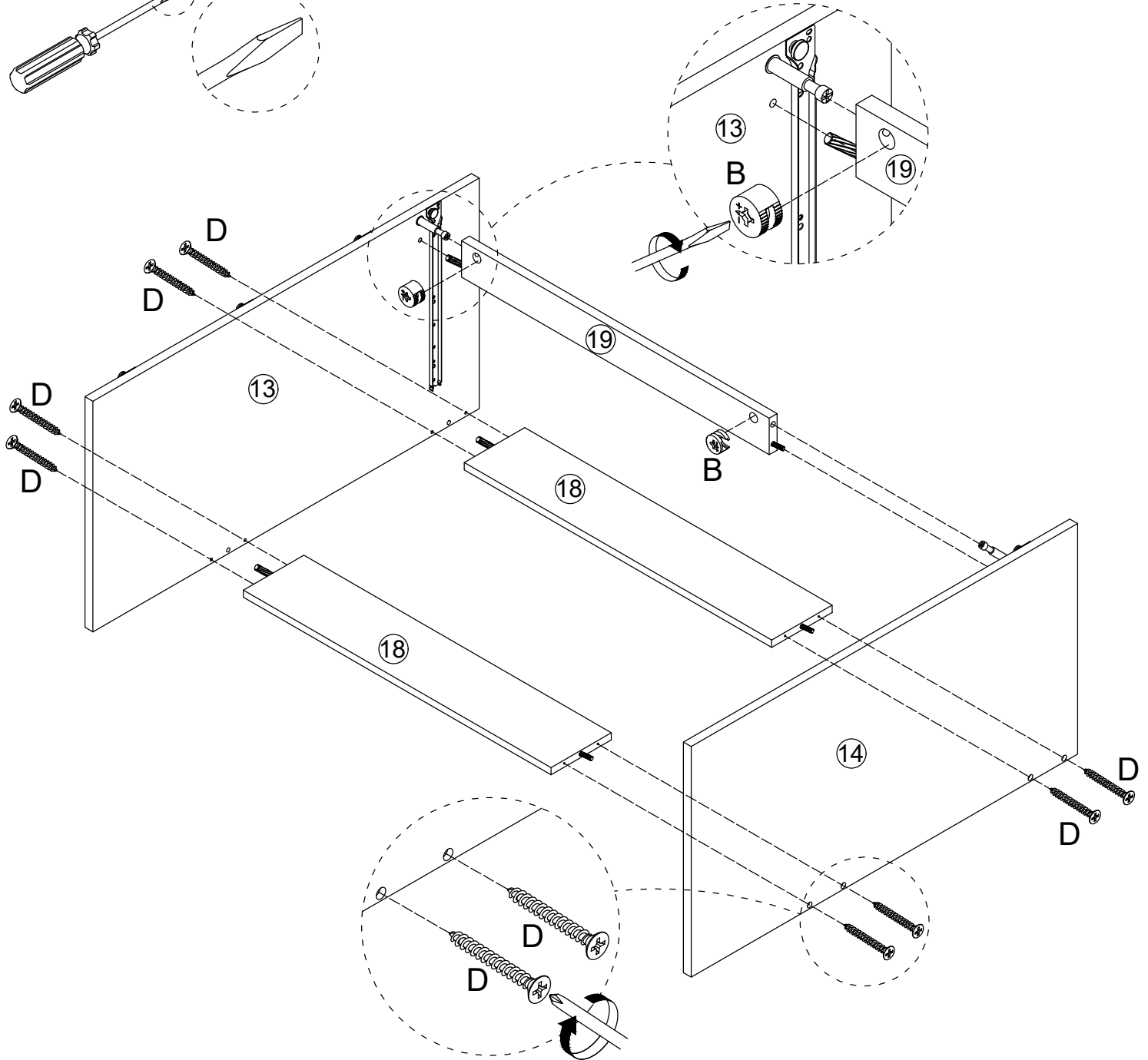
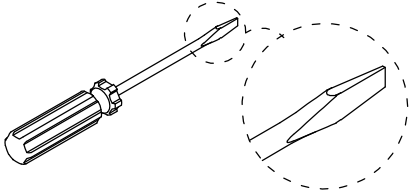
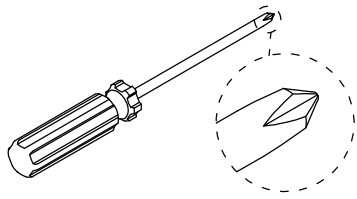
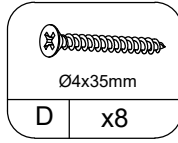
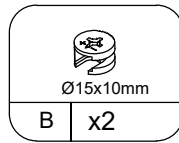
180°



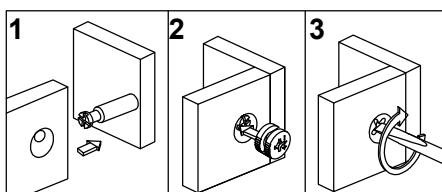
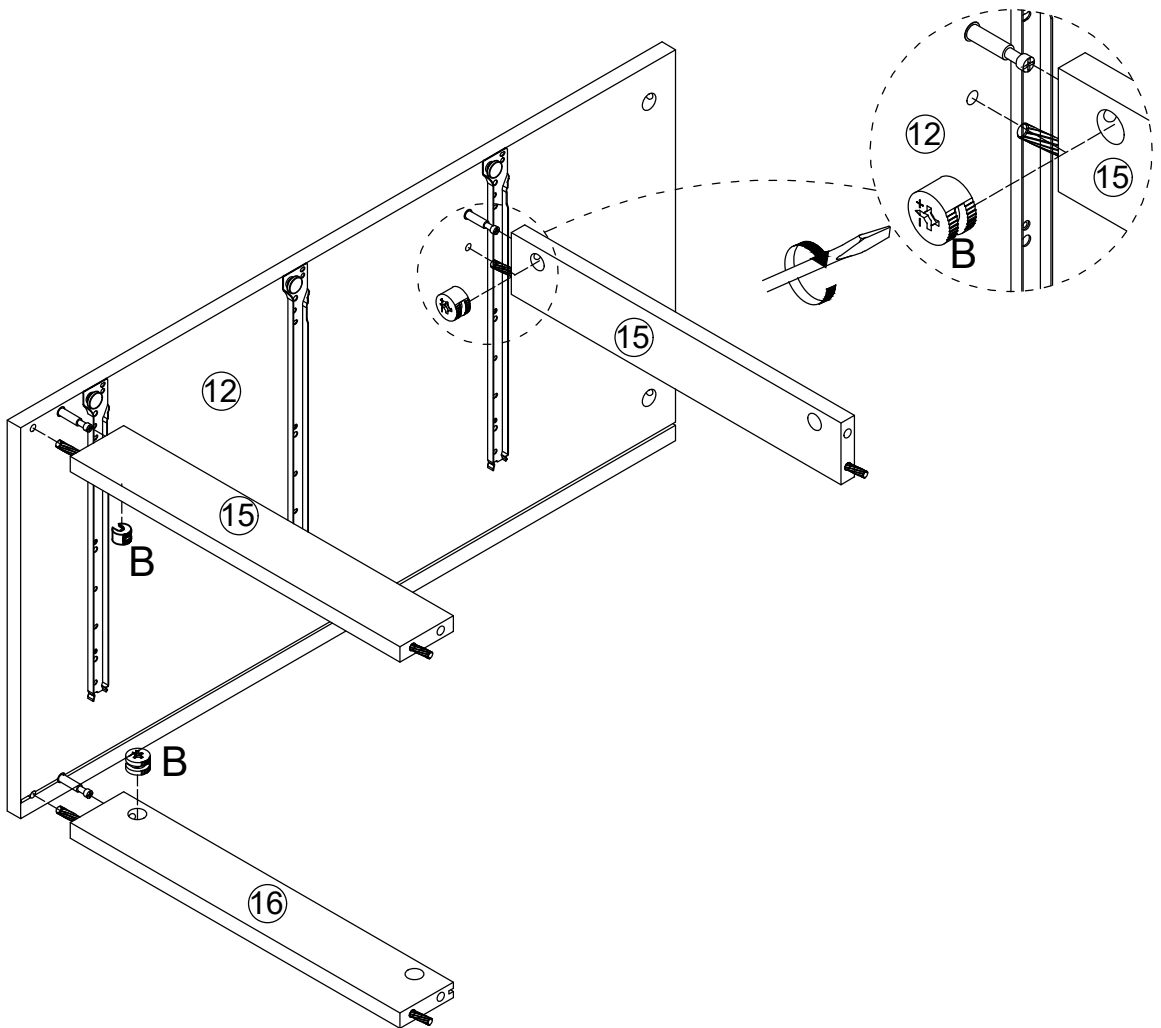
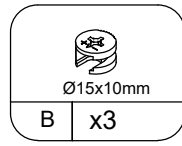
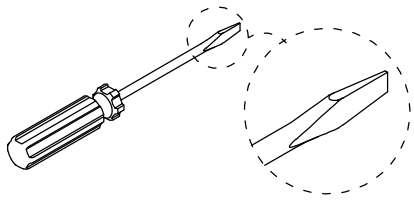
STEP 5



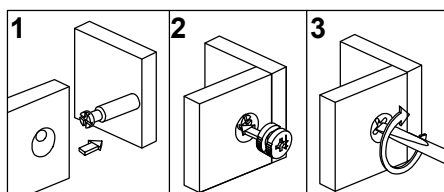
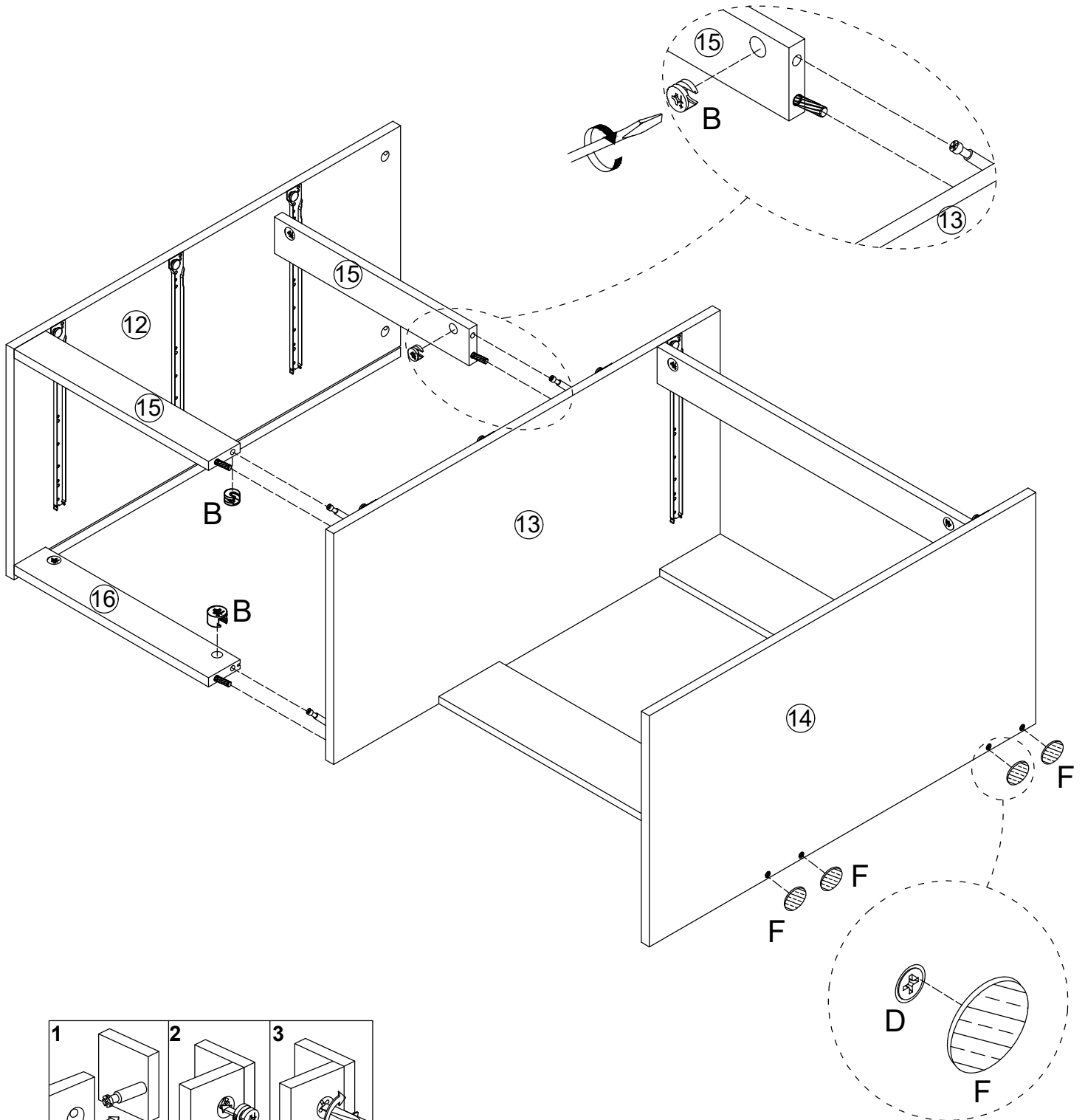
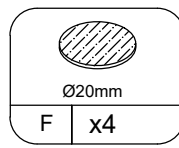
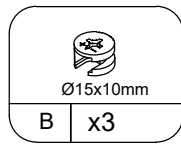
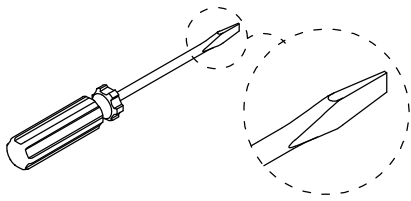
STEP 6



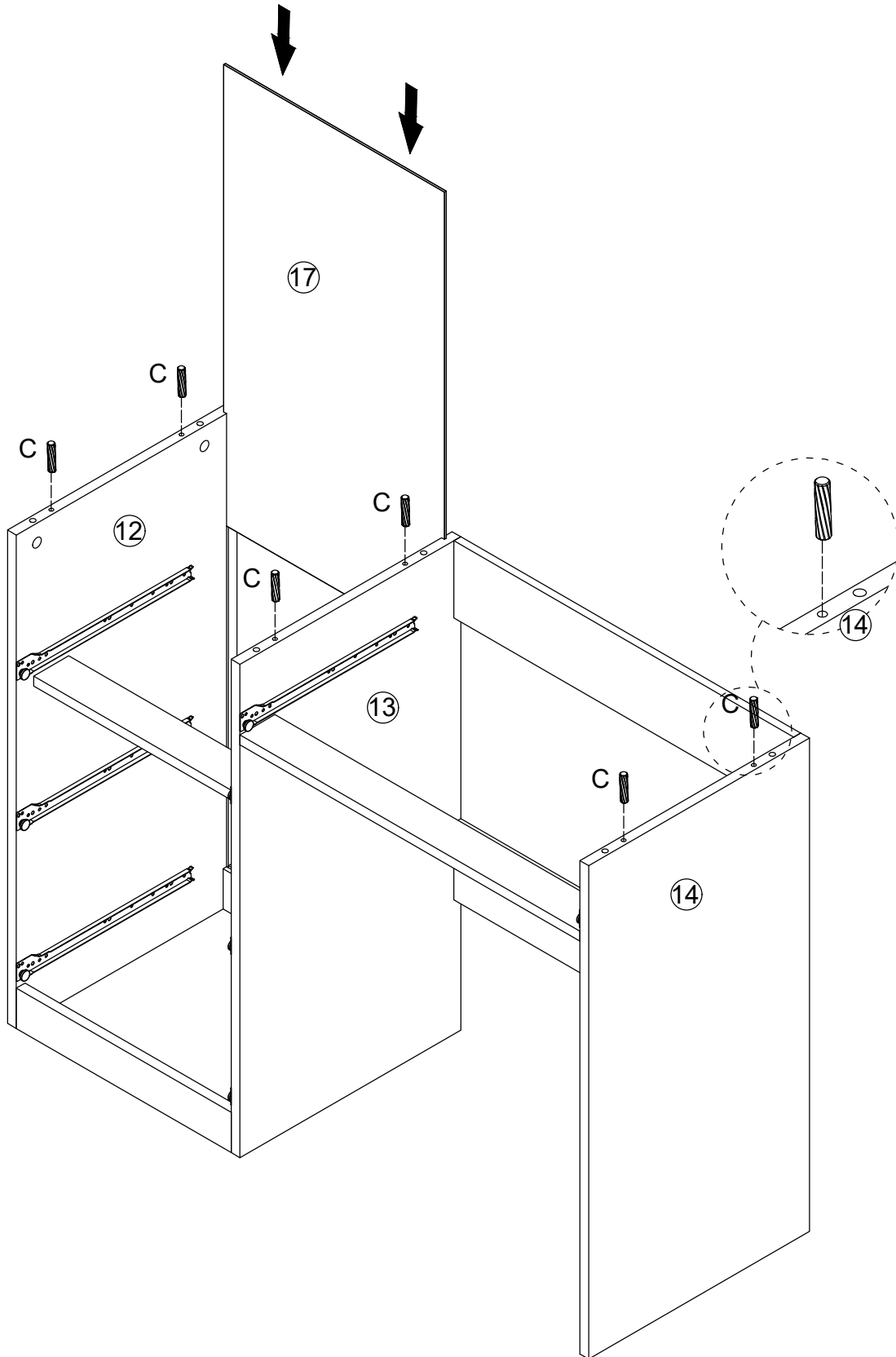
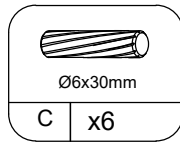
STEP 7



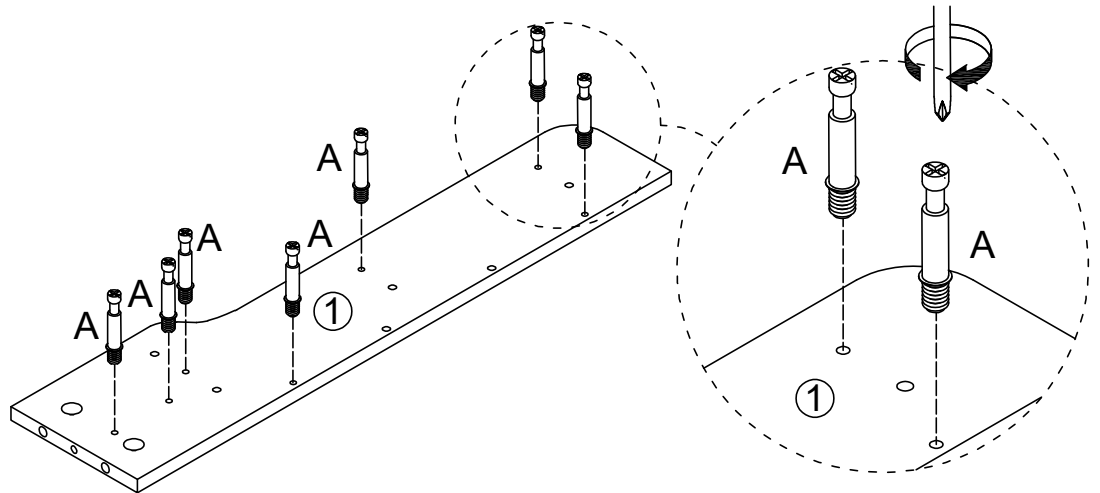
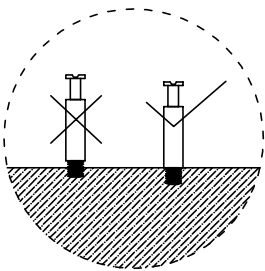
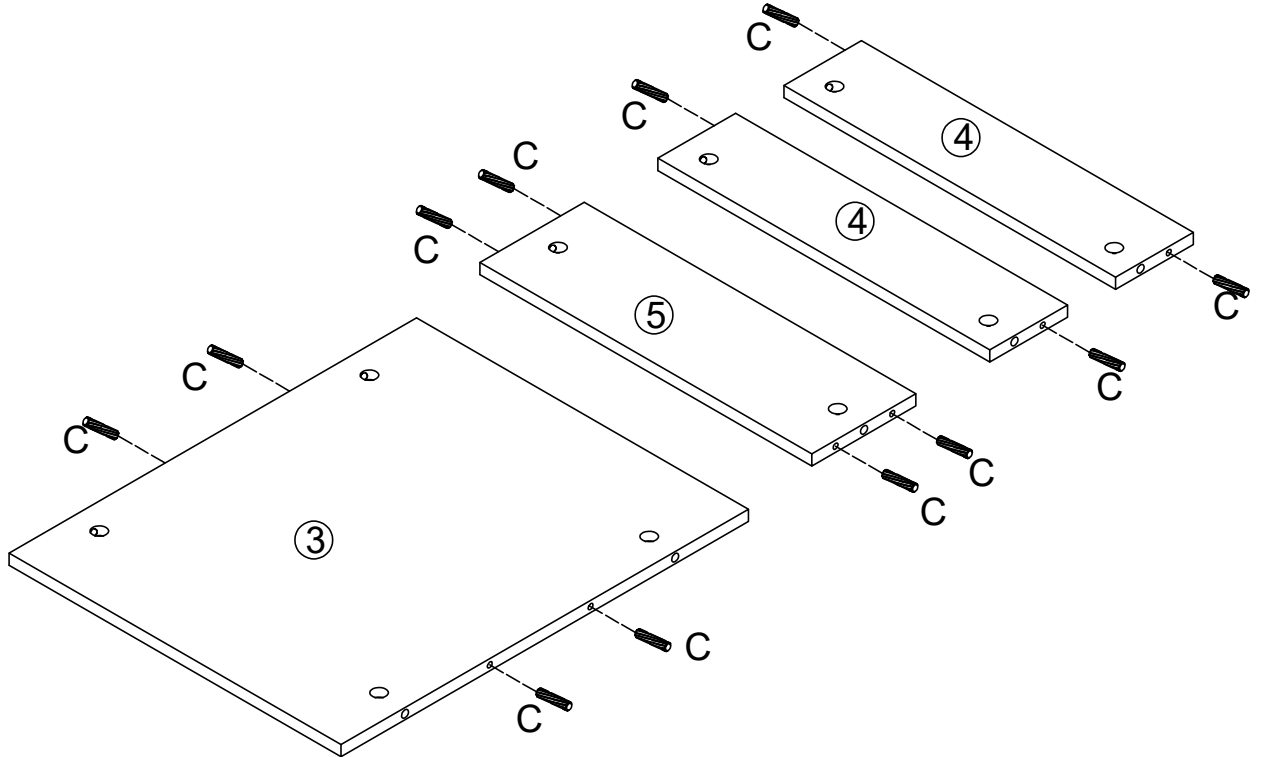
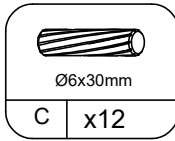
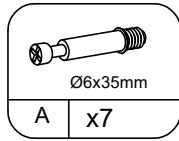
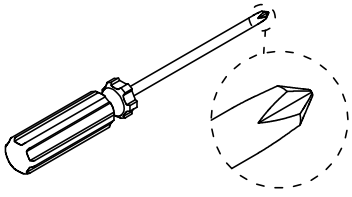
STEP 8



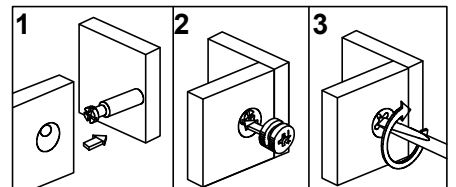
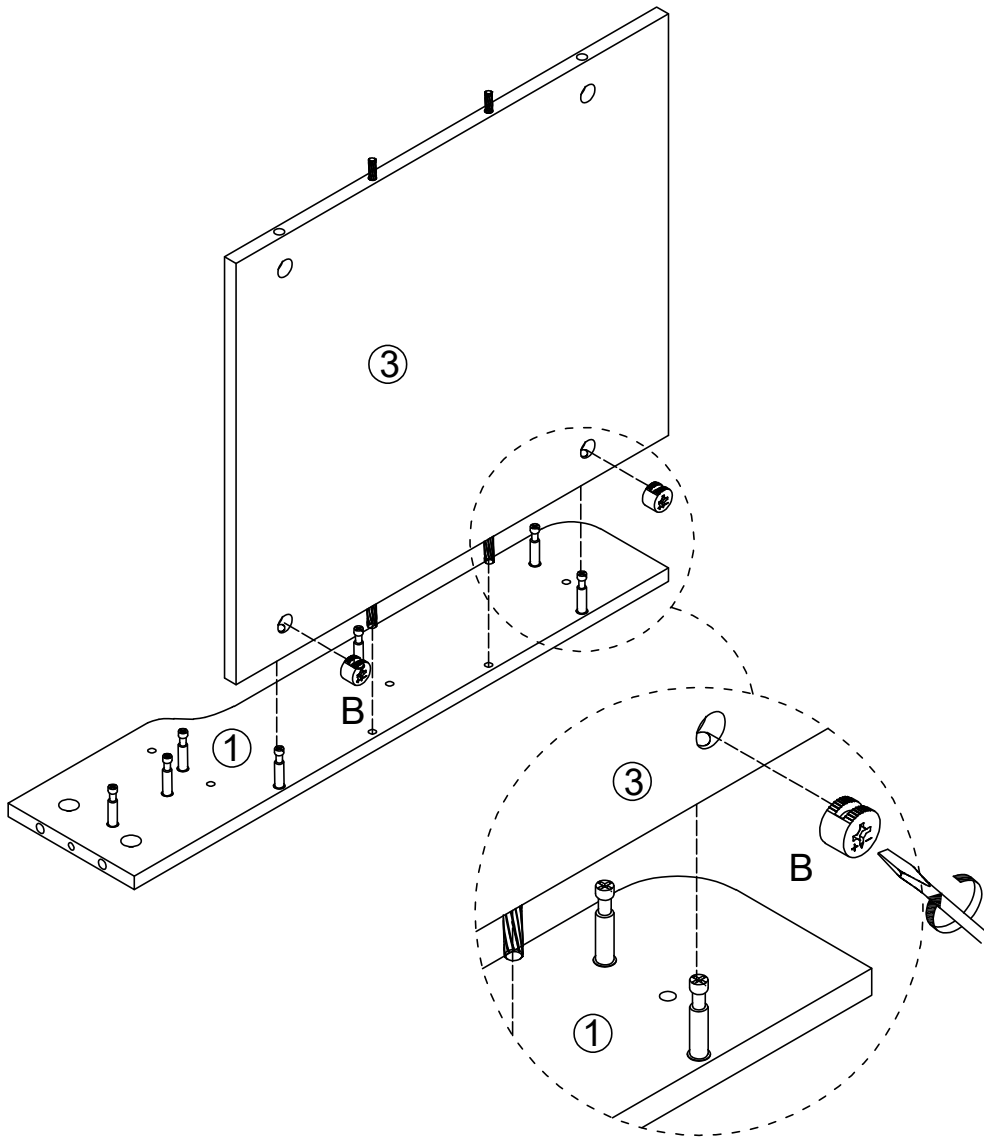
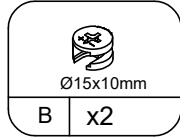
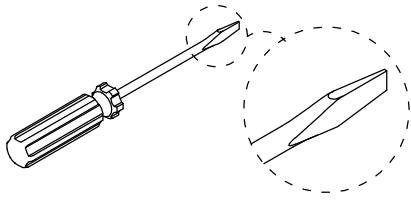
STEP 9



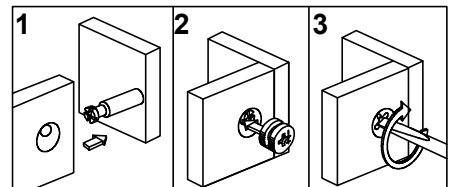
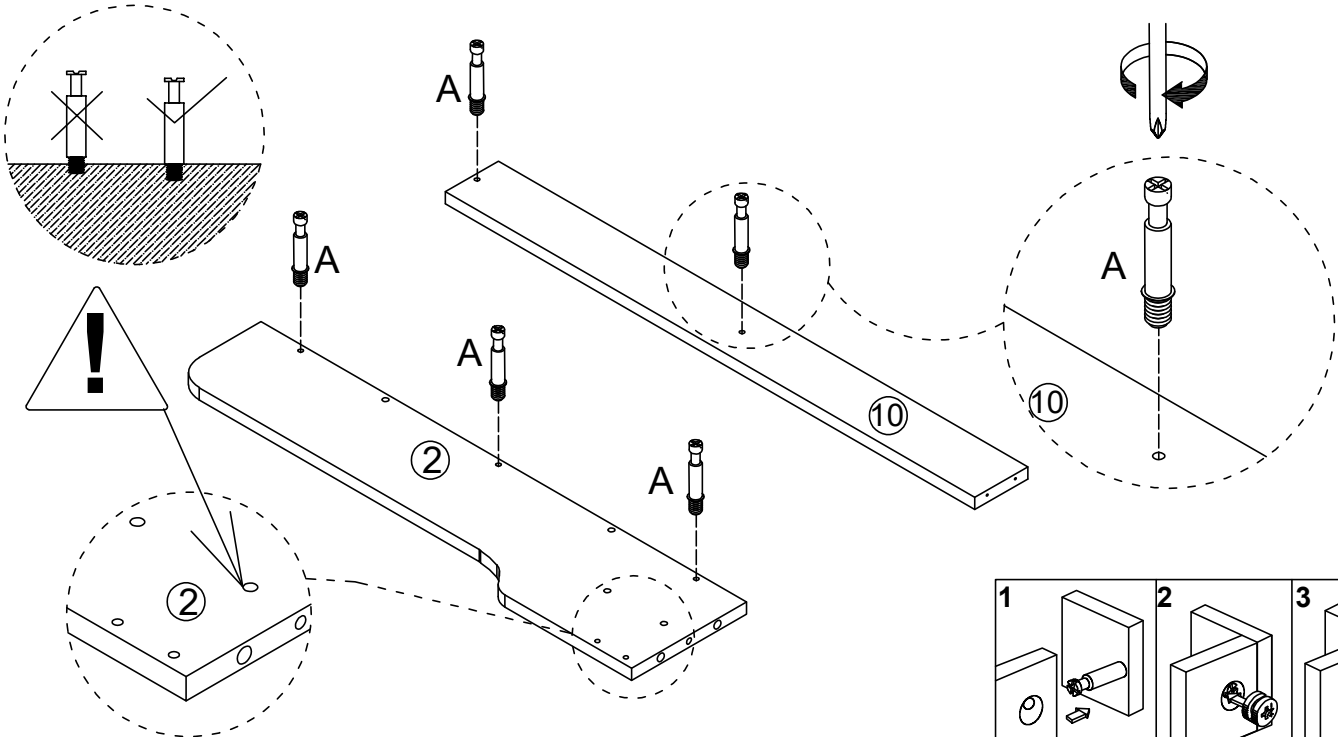
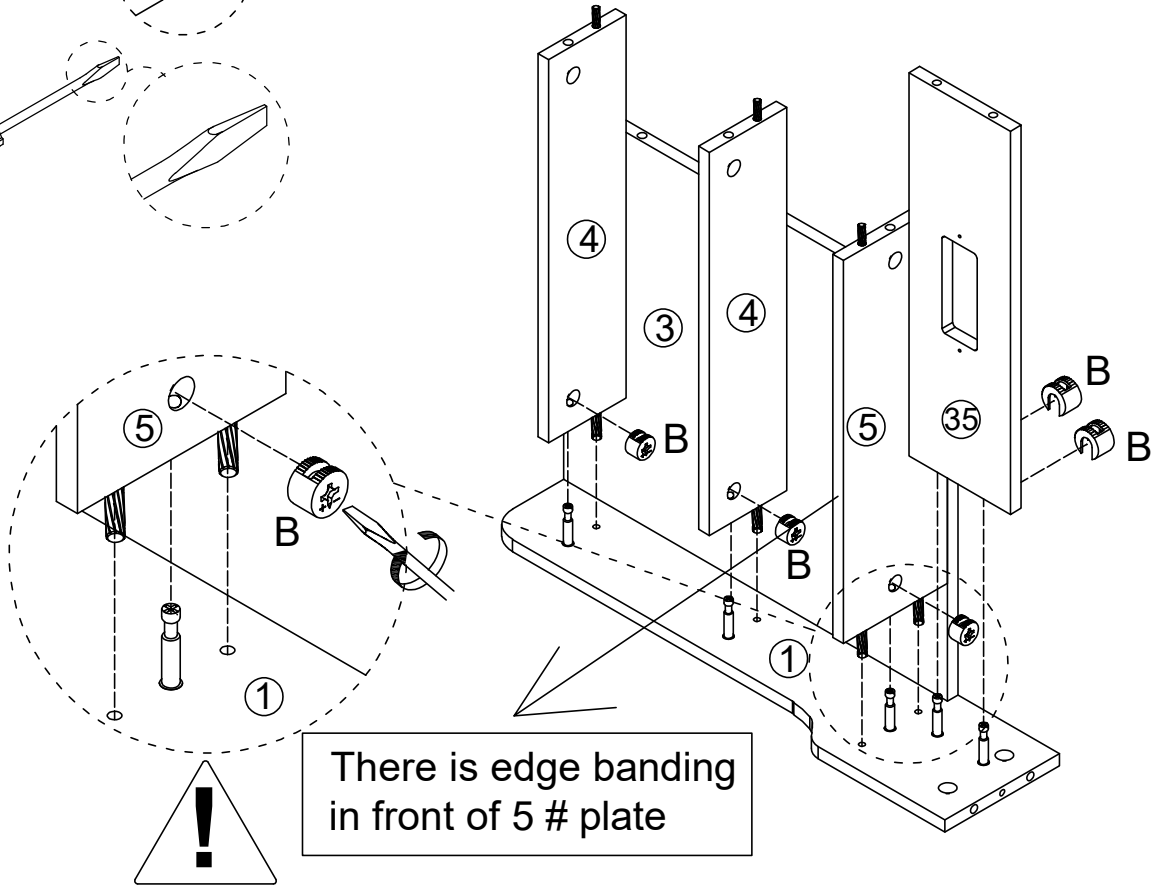
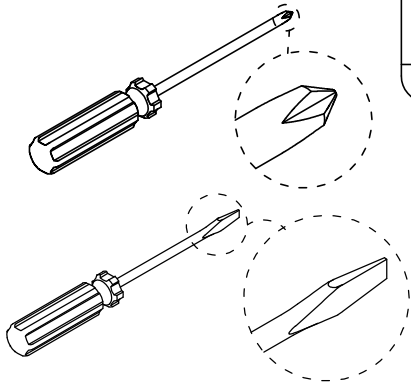
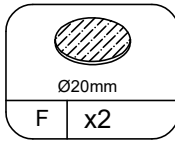
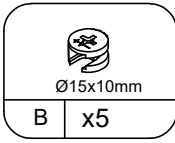
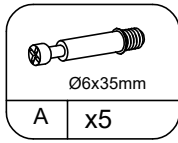
STEP 10



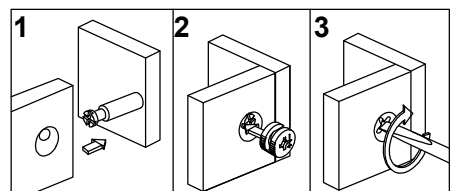
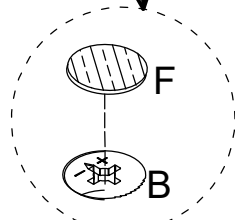
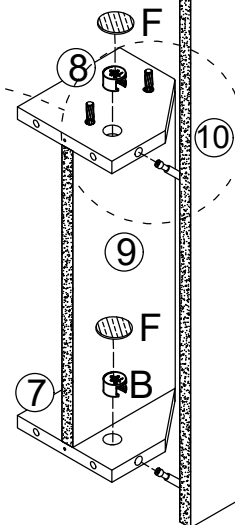
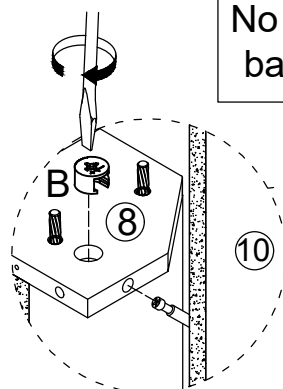
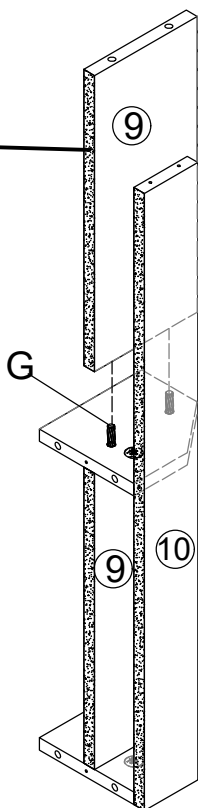
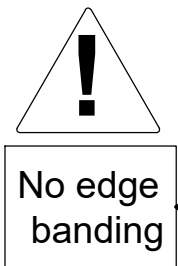
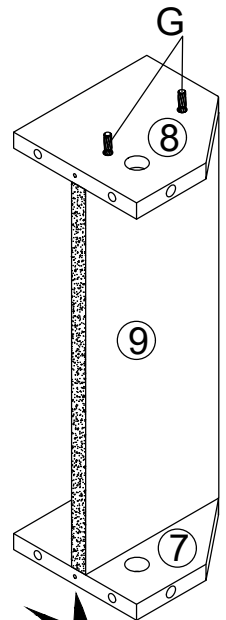
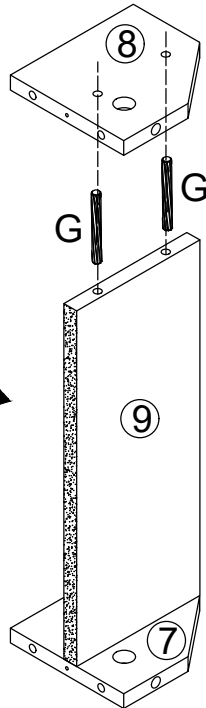
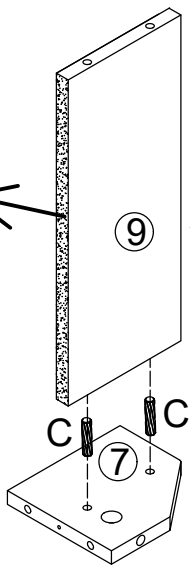
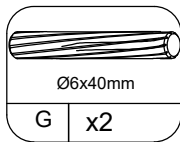
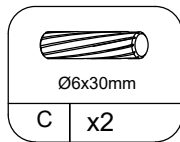
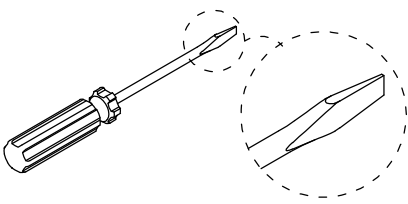
STEP 11



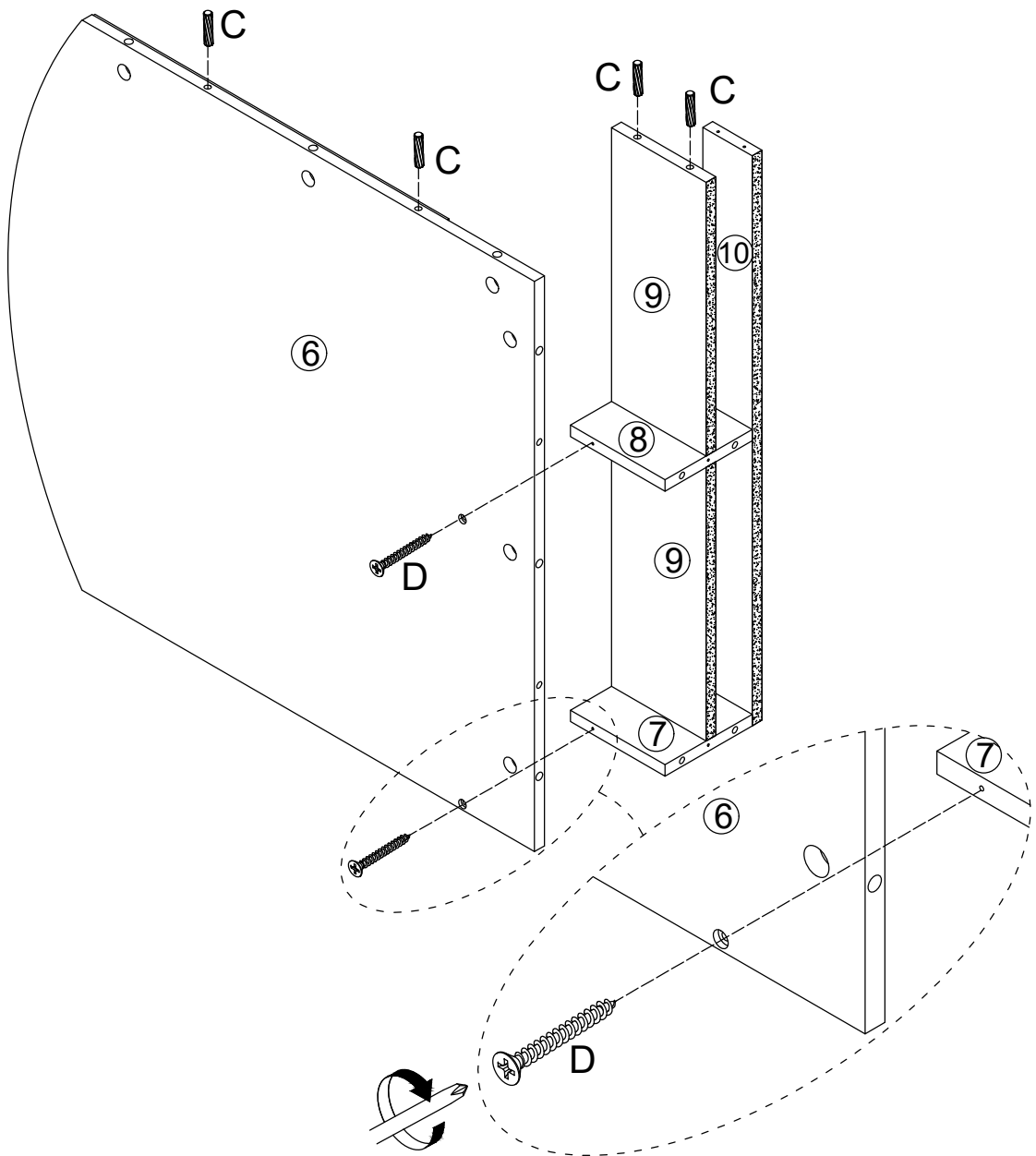
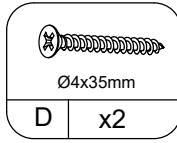
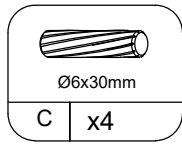
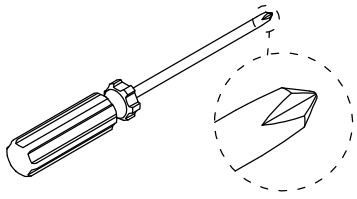
STEP 12



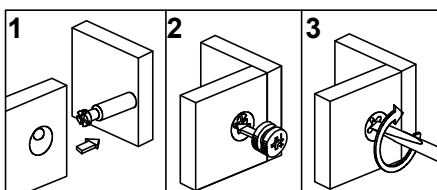
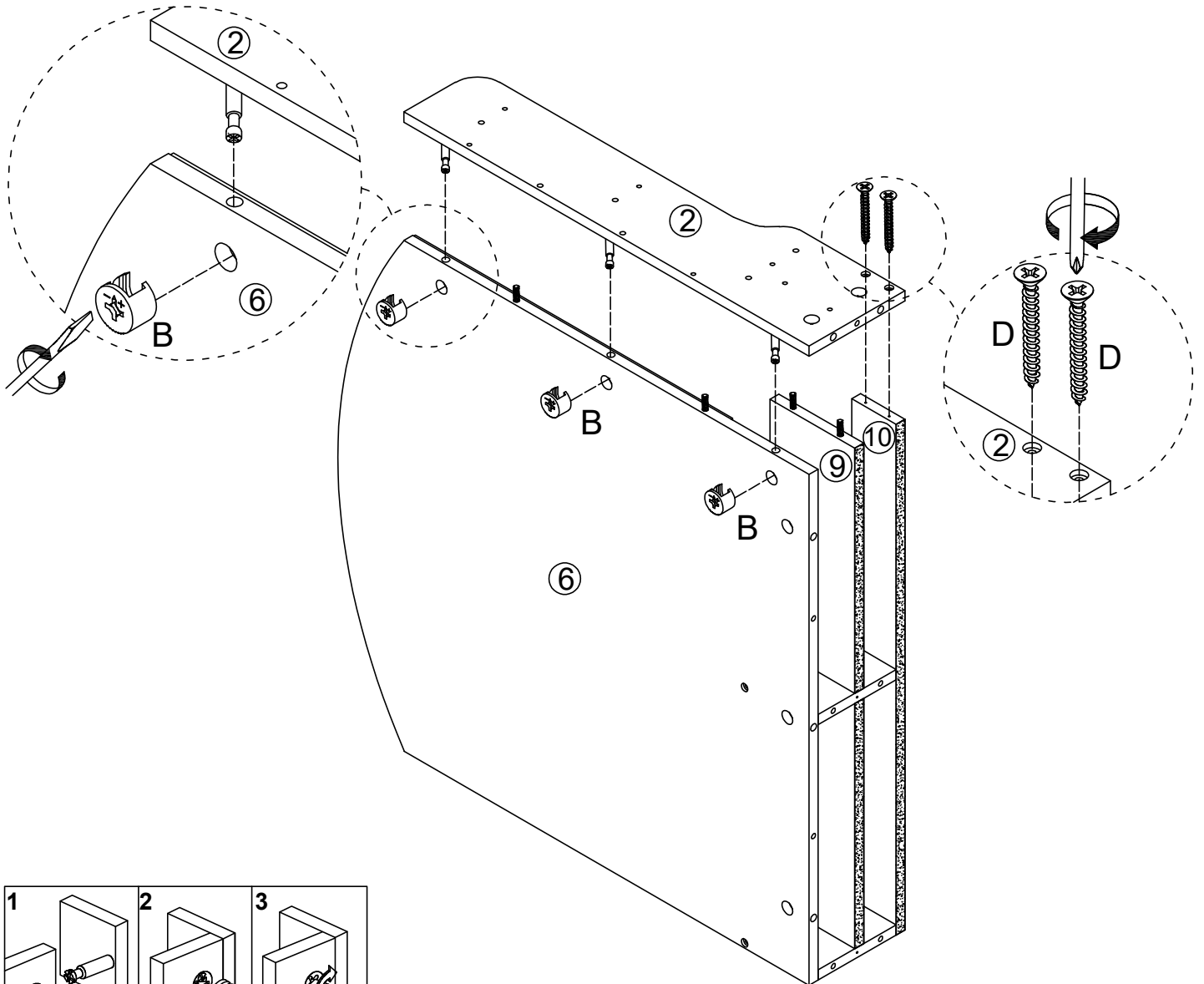
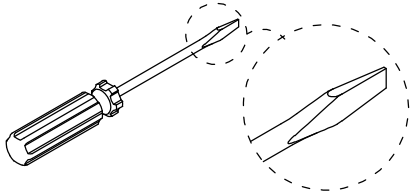
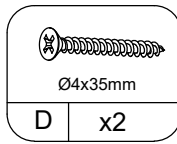
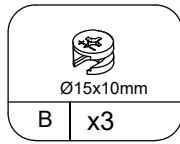
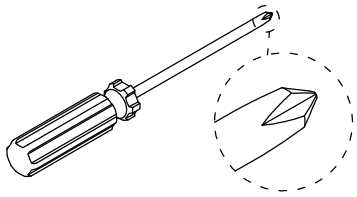
STEP 13



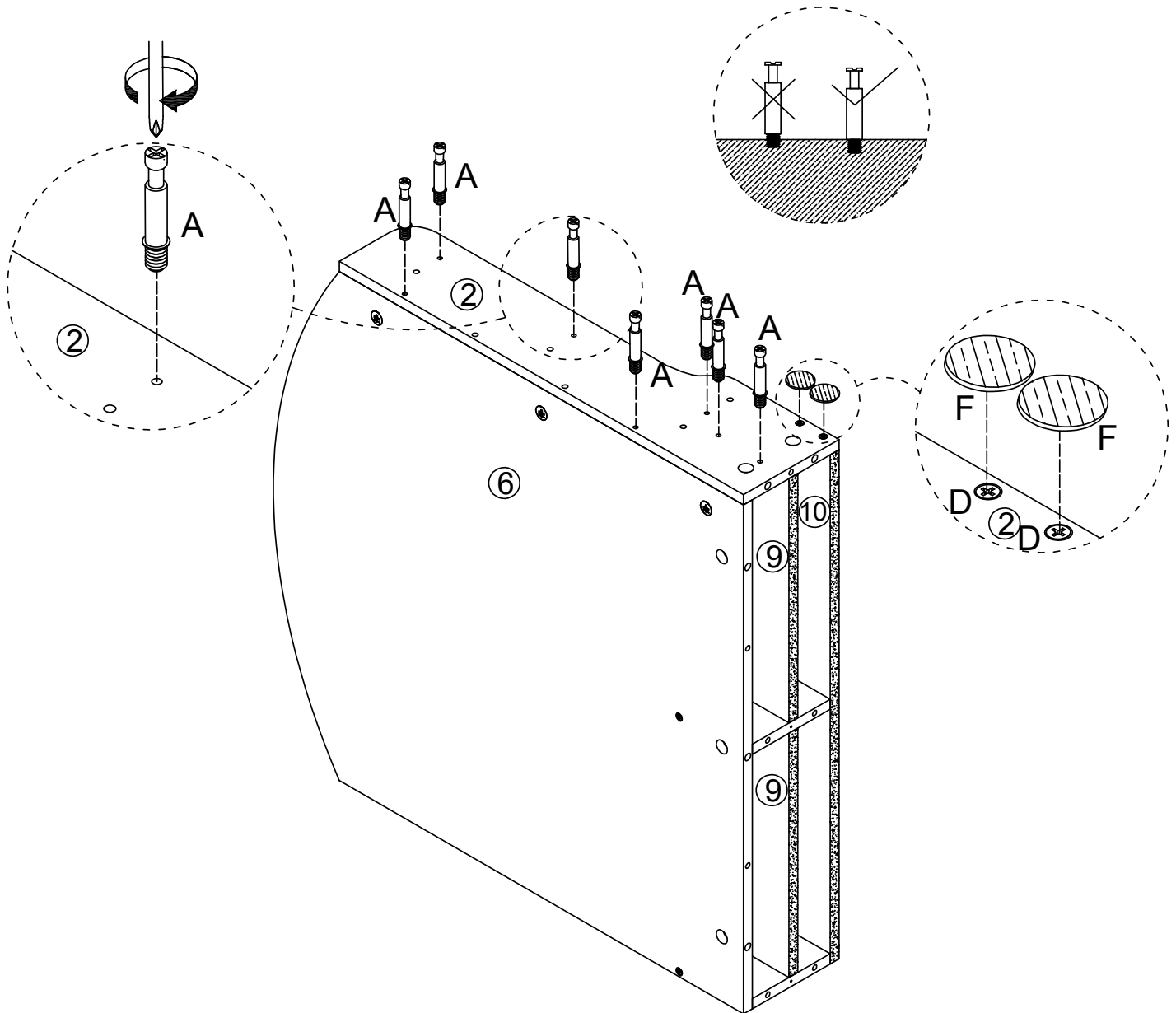
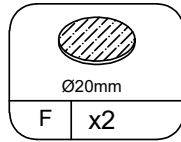
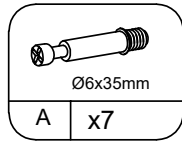
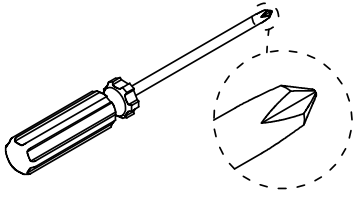
STEP 14



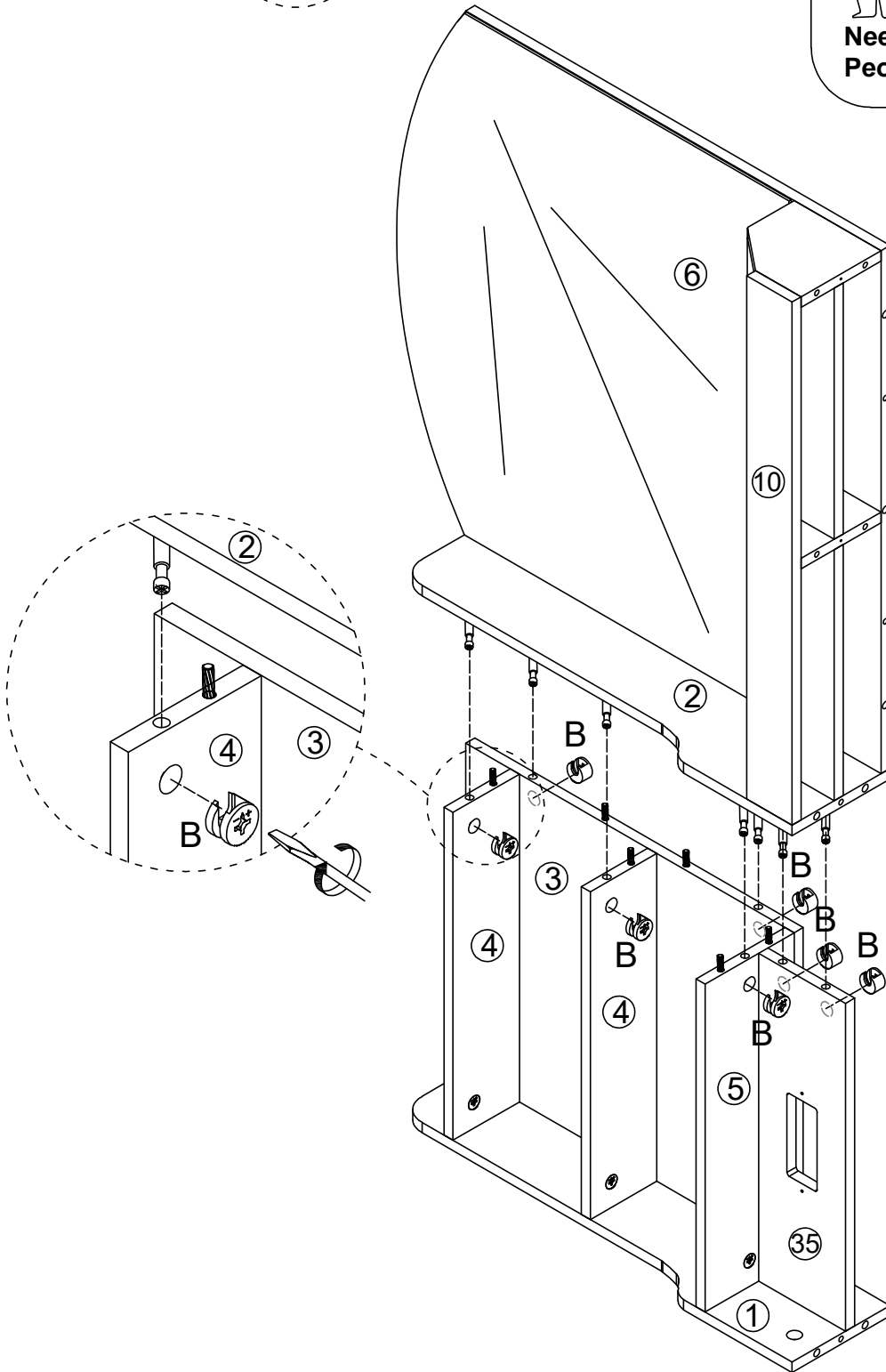
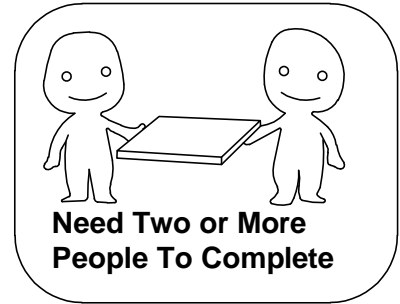
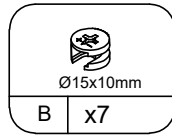
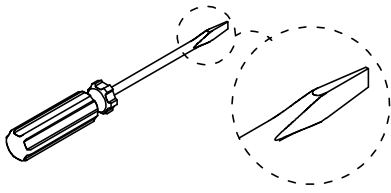
STEP 15



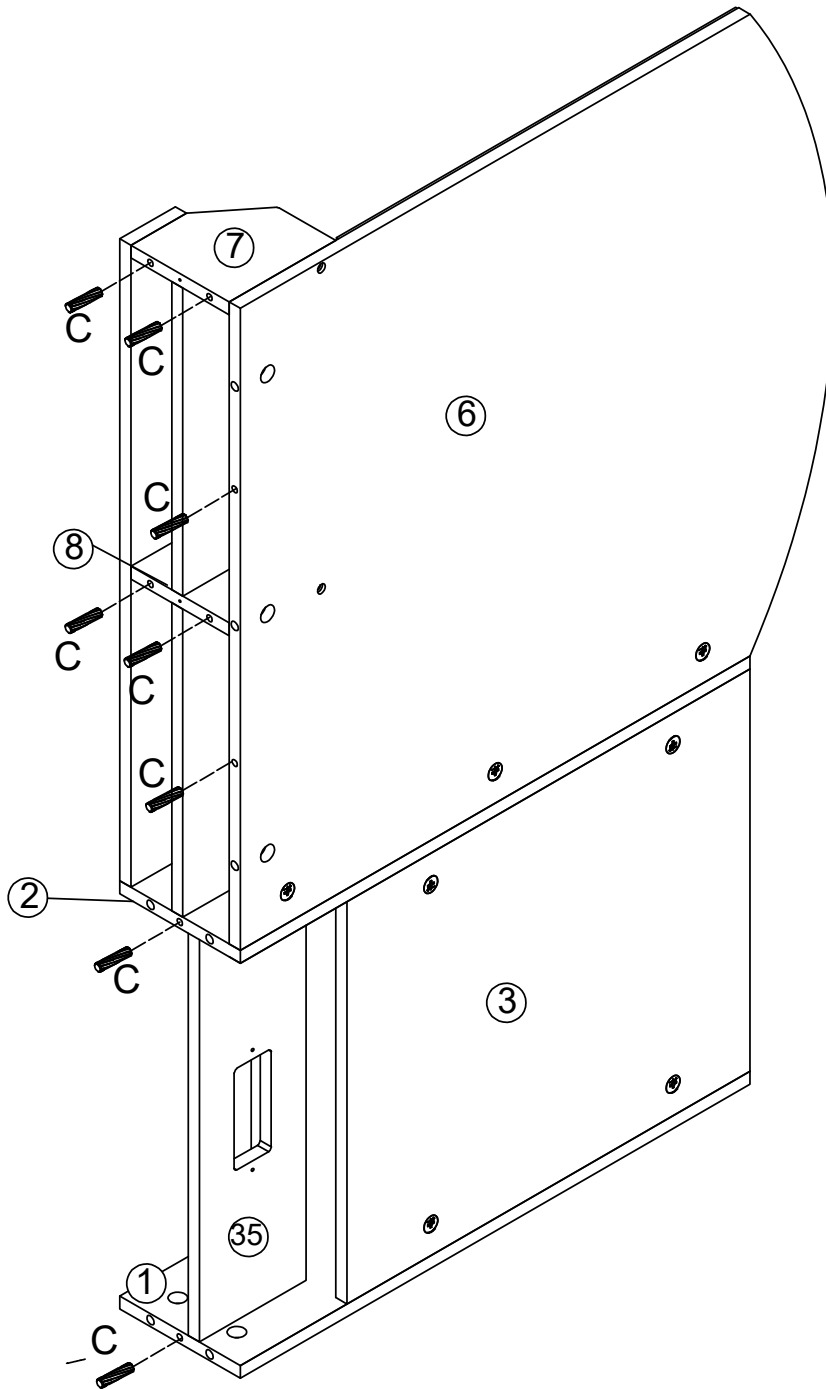
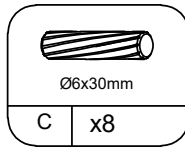
STEP 16



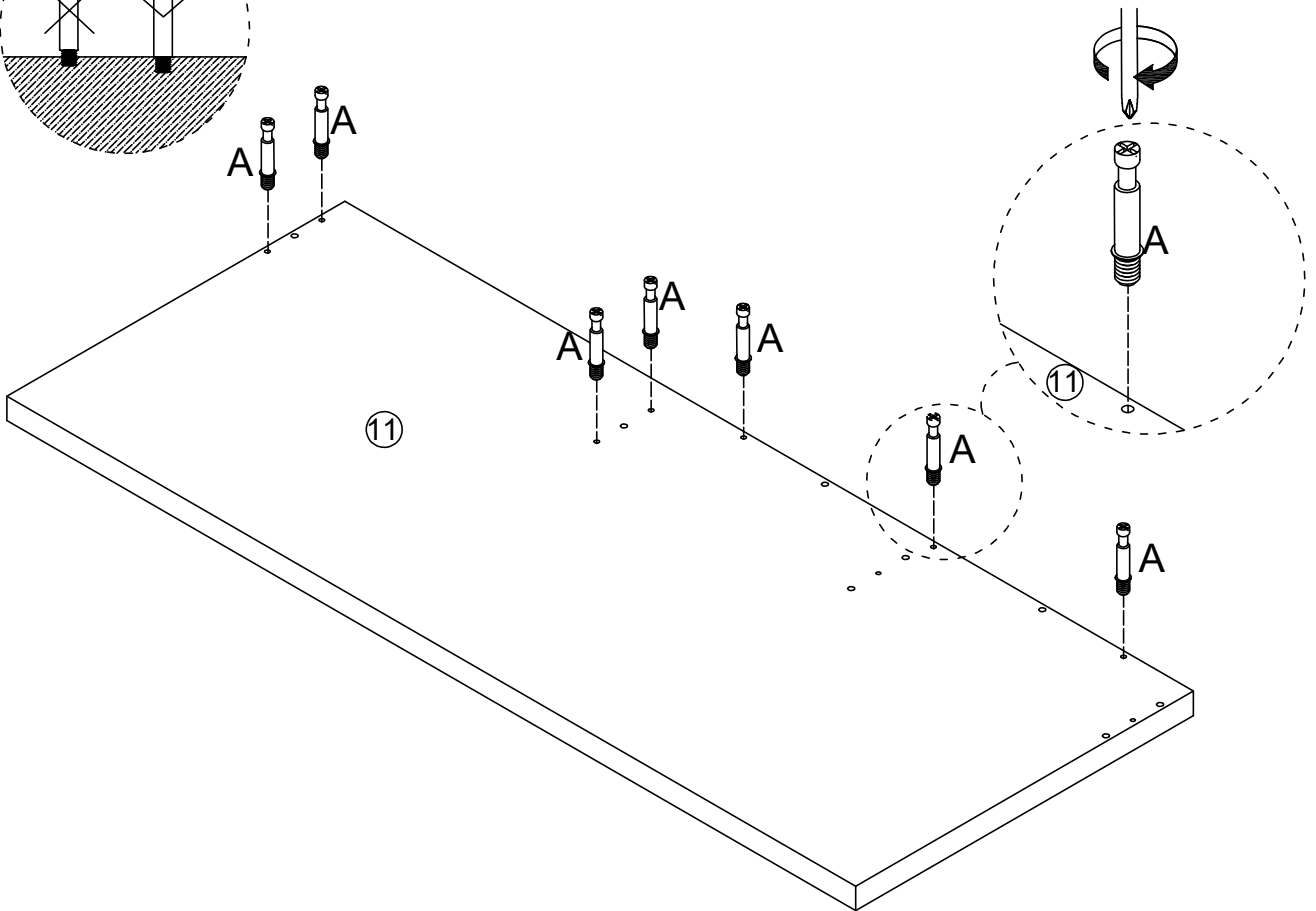
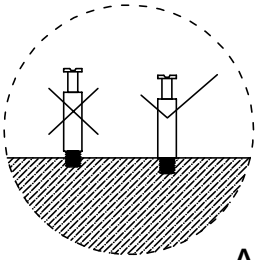
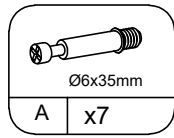
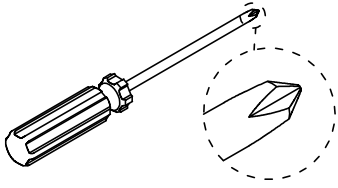
STEP 17



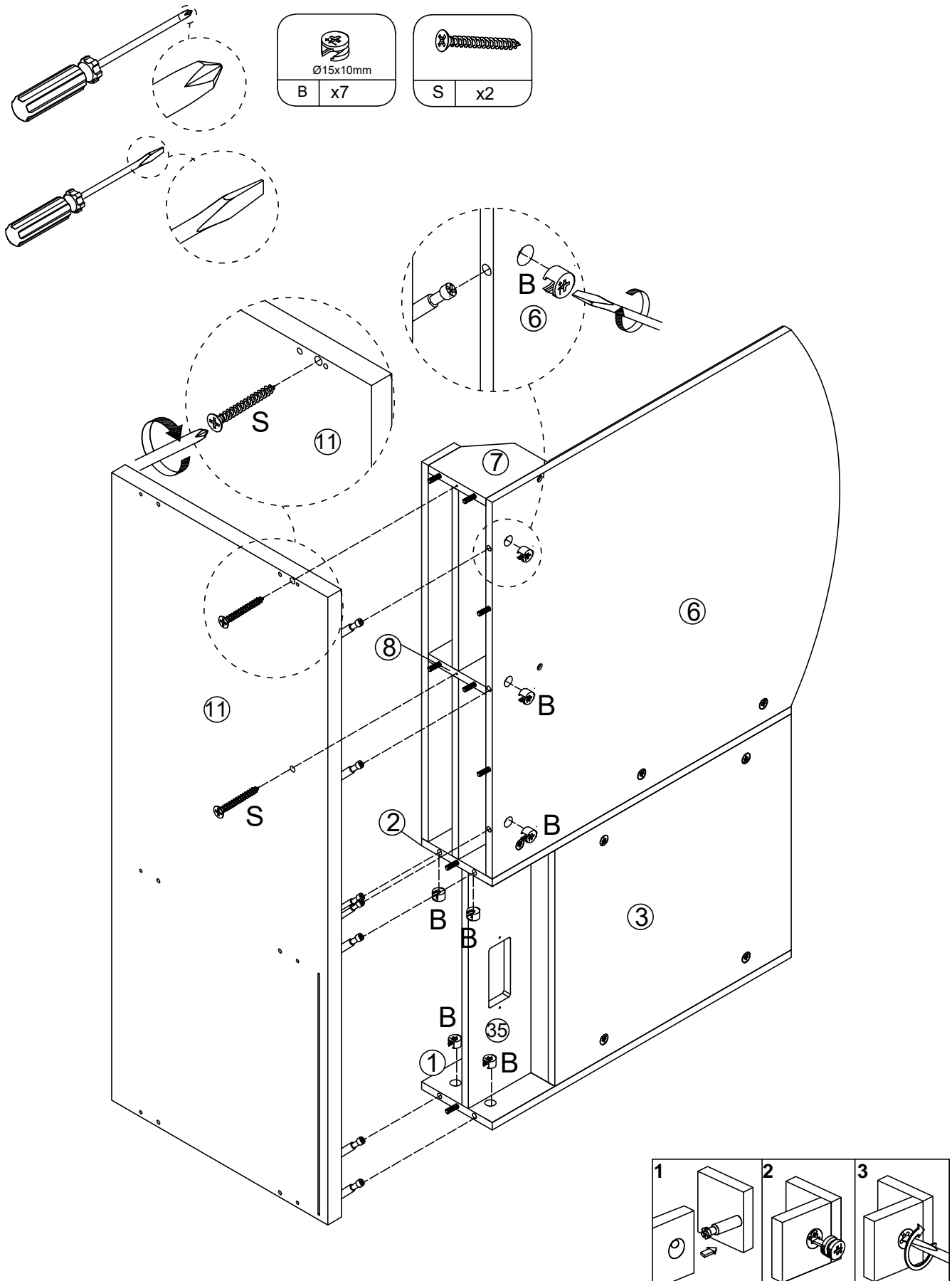
STEP 18



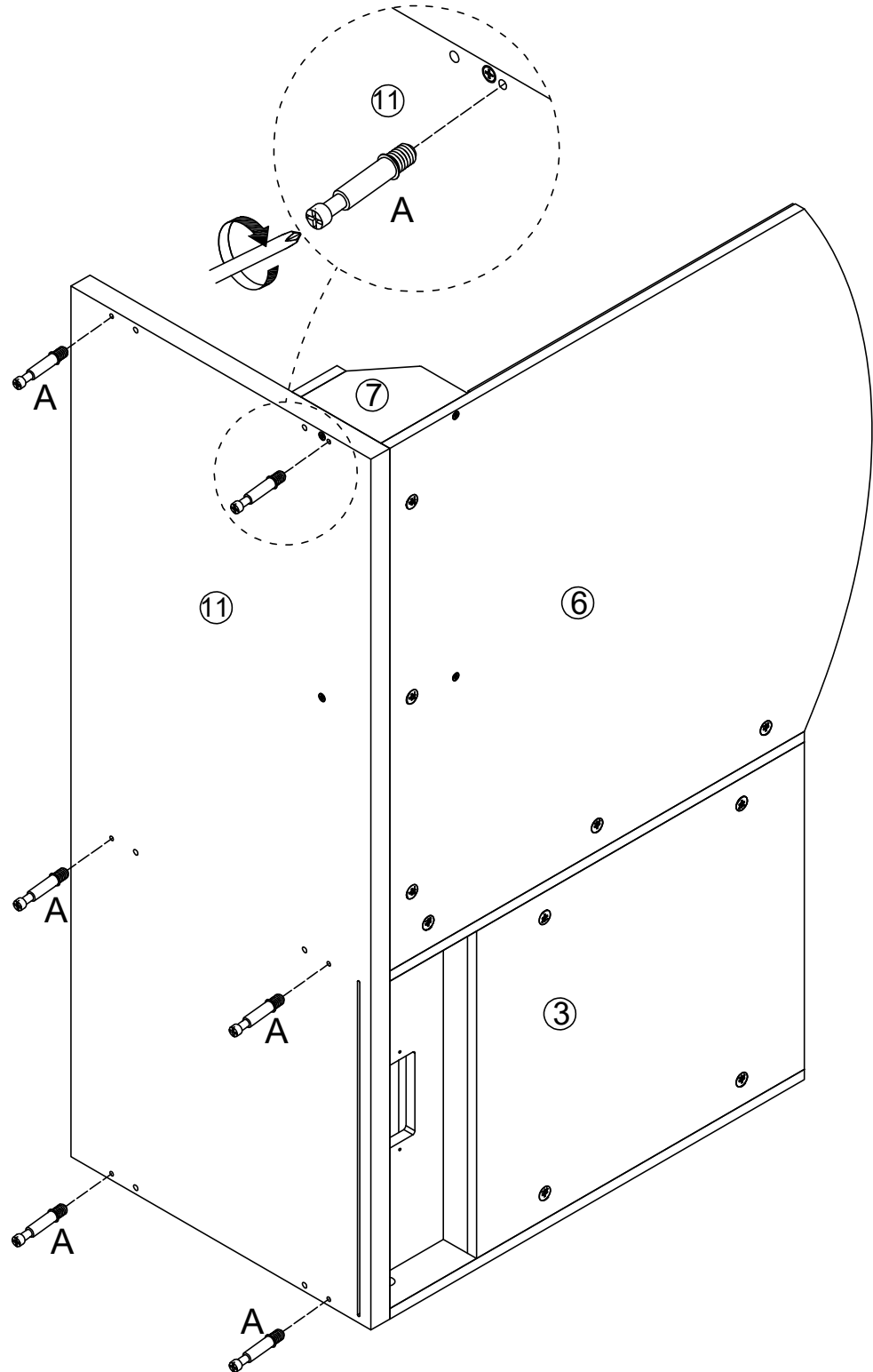
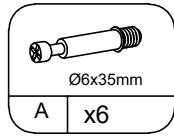
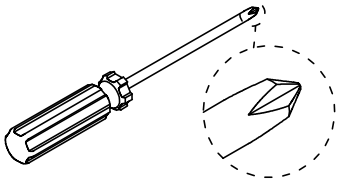
STEP 19



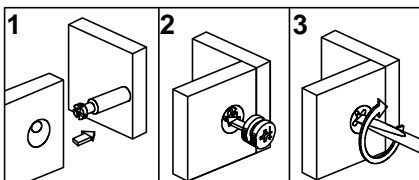
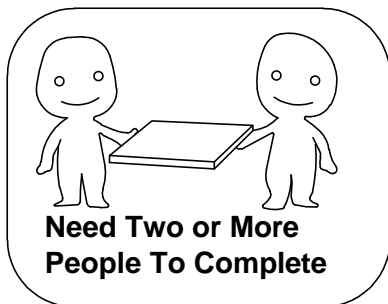
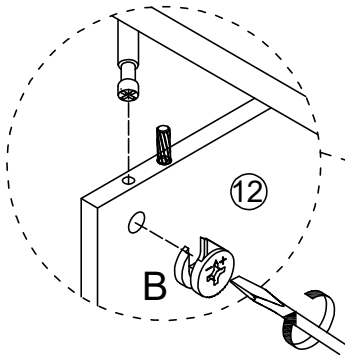
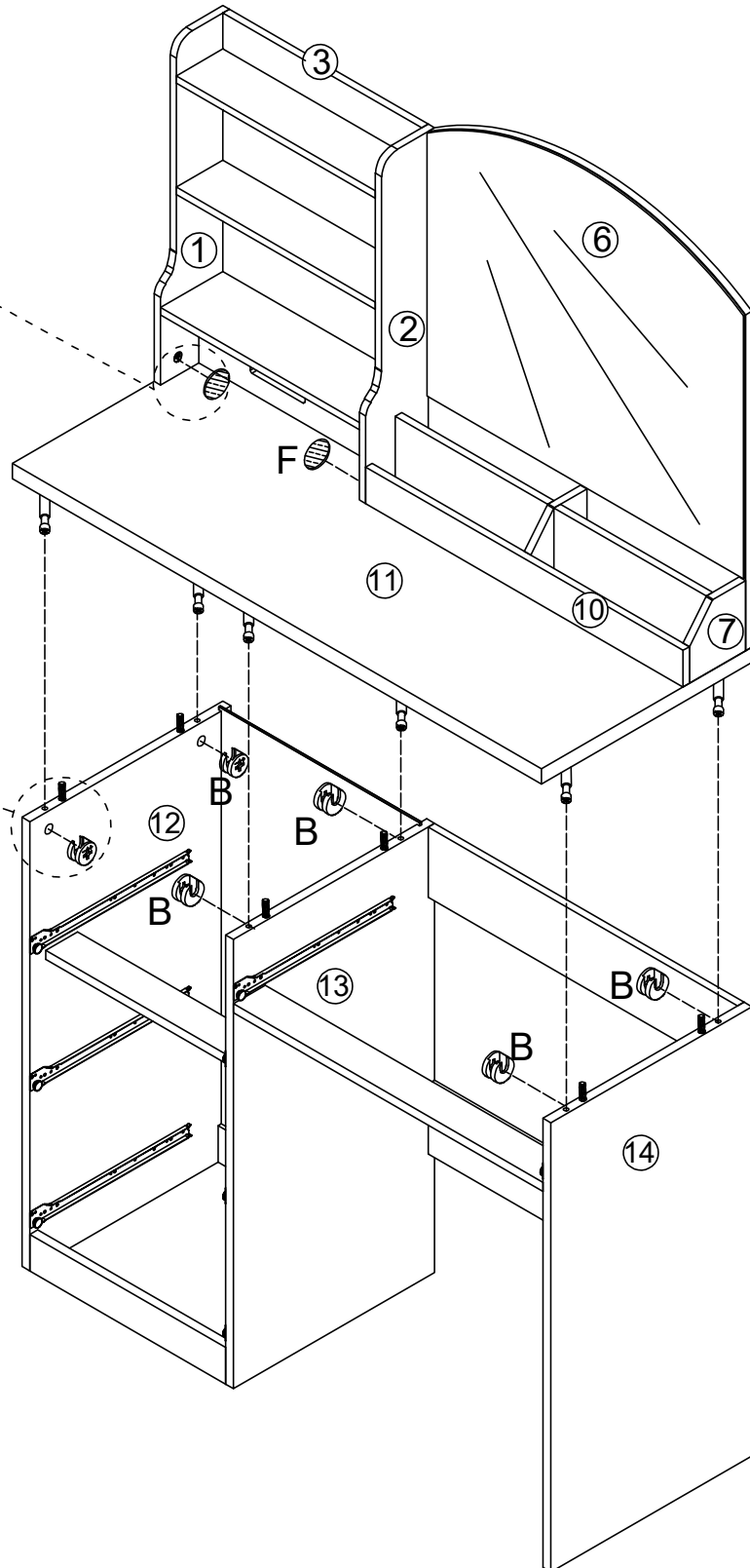
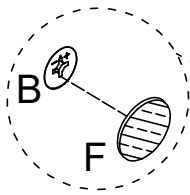
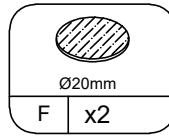
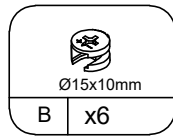
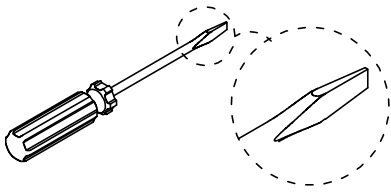
STEP 20



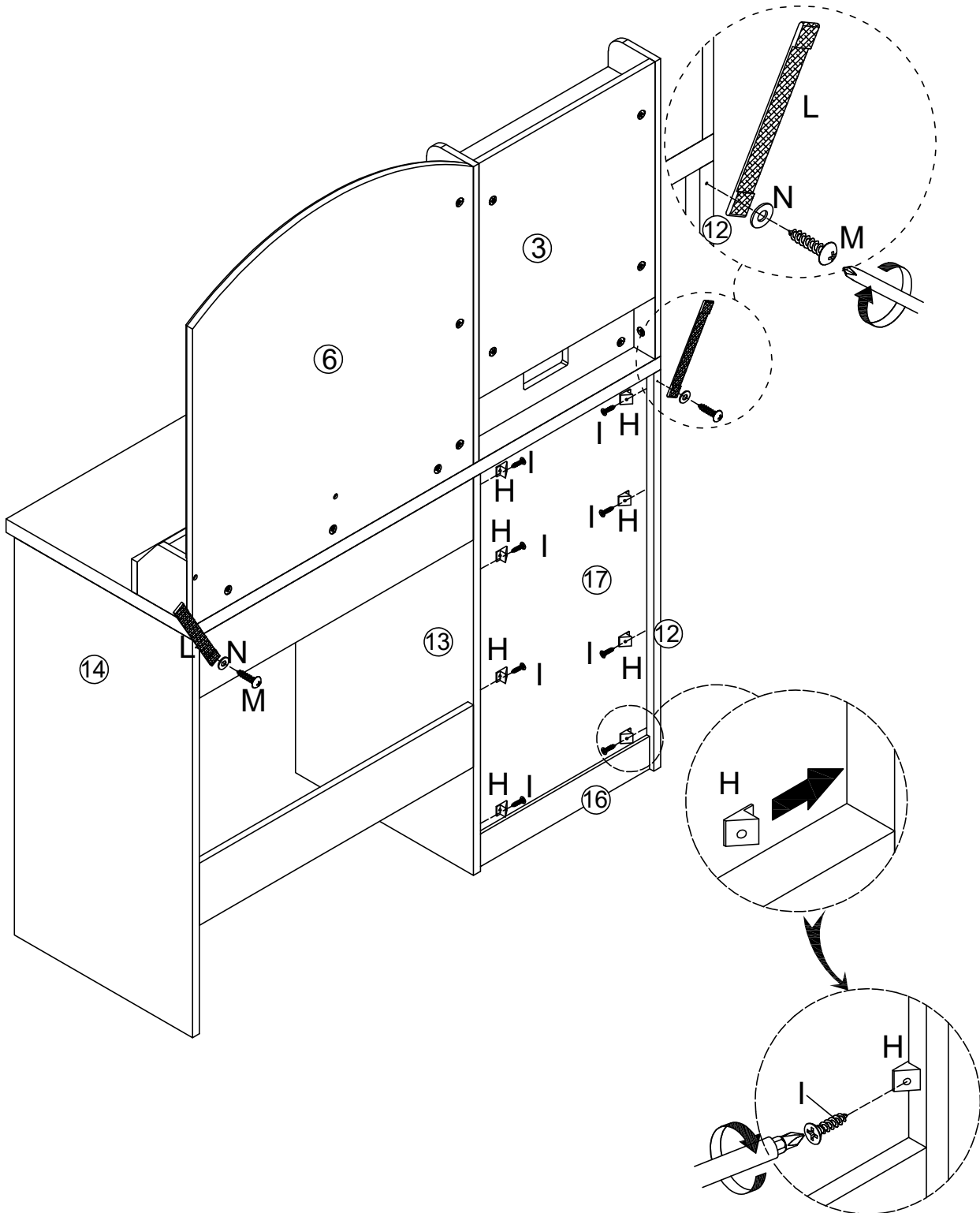
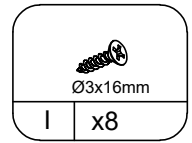
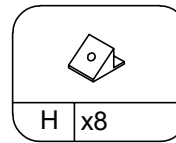
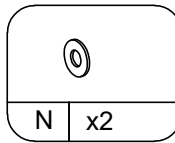
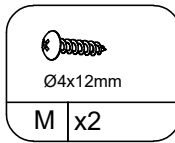
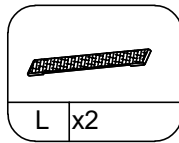
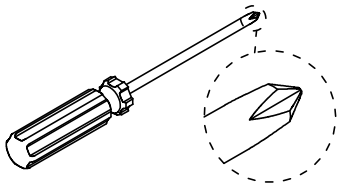
STEP 21



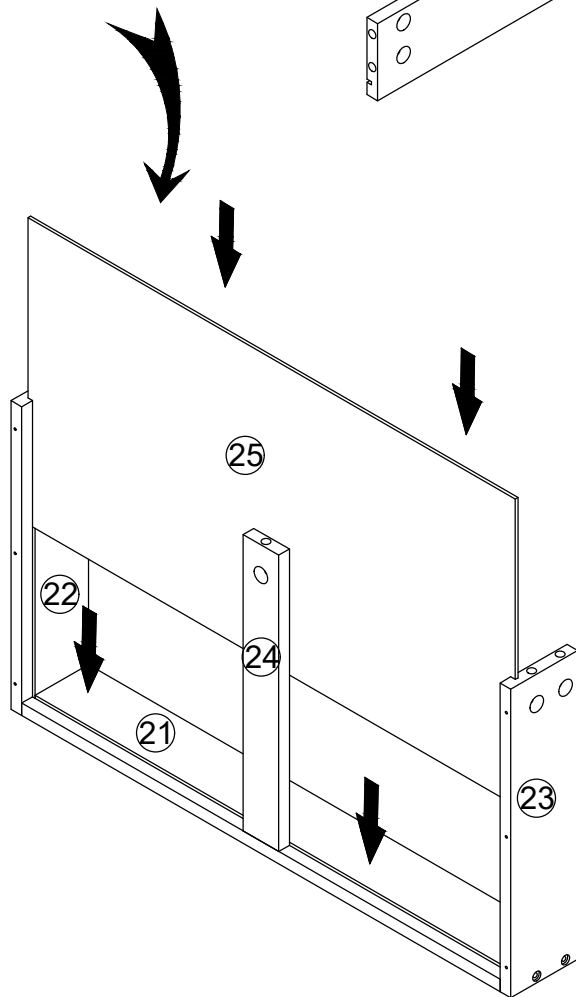
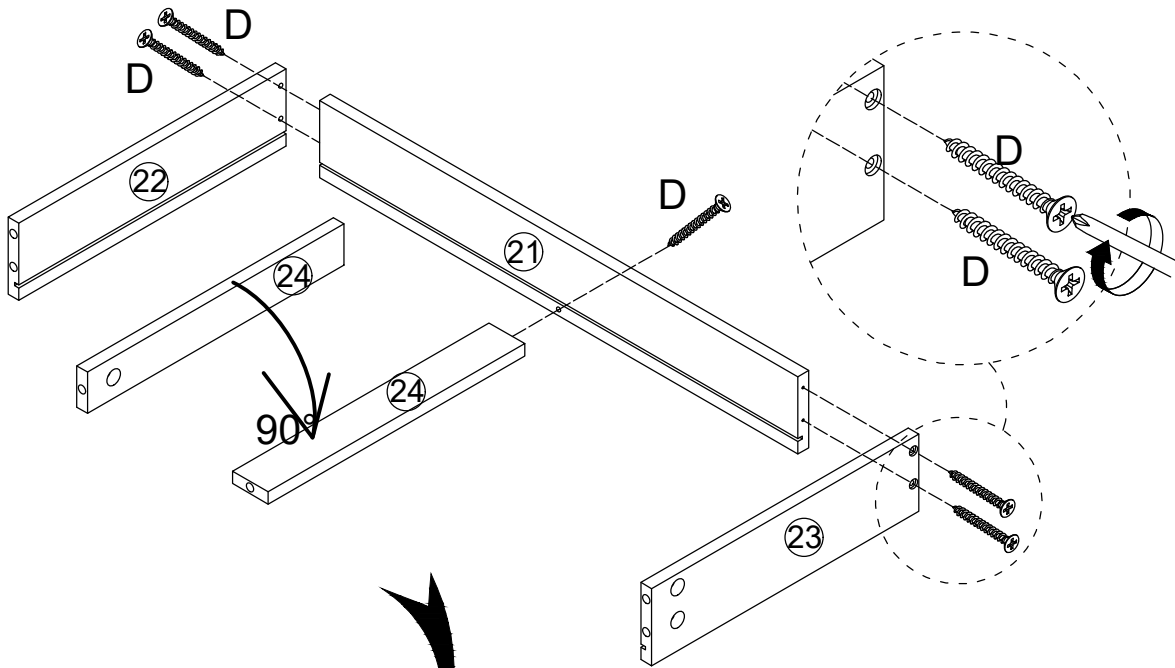
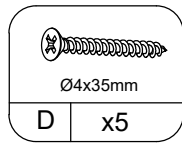
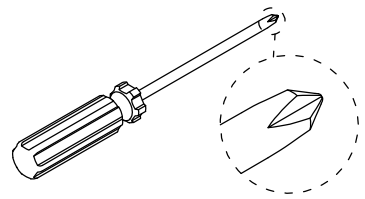
STEP 22



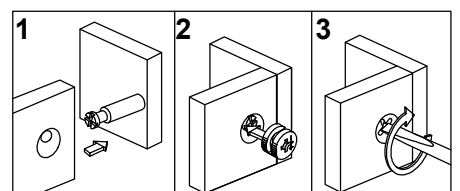
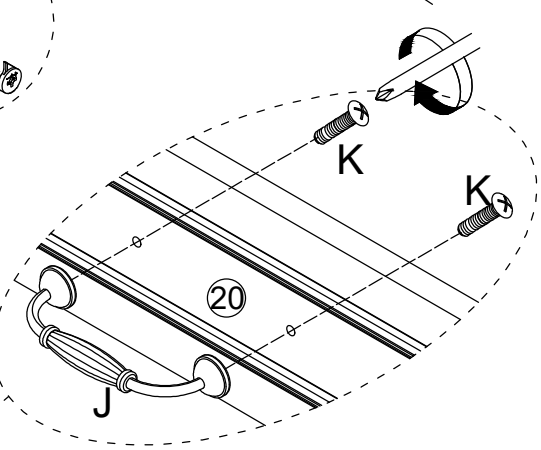
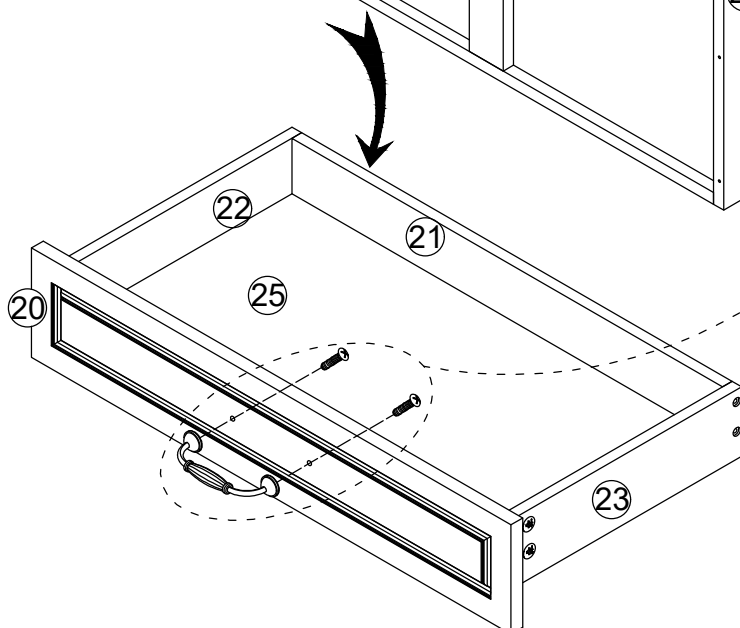
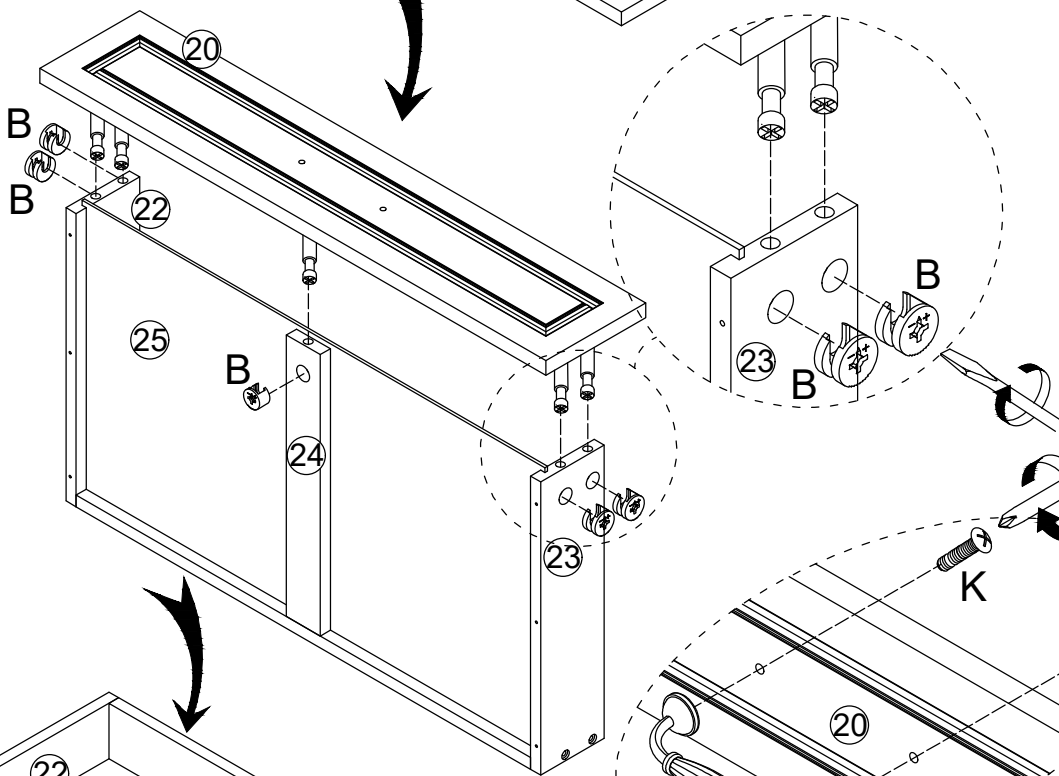
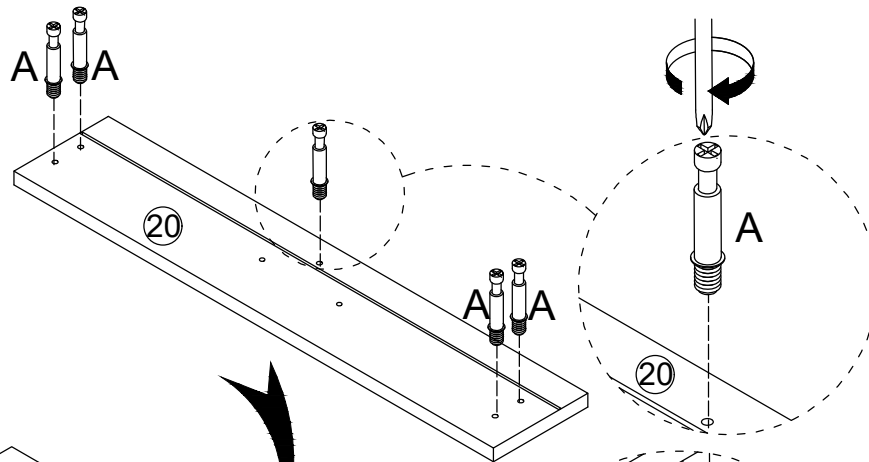
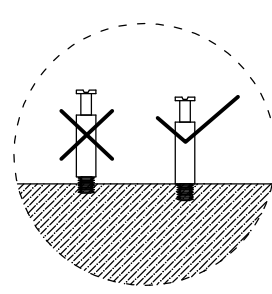
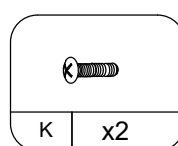
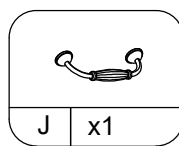
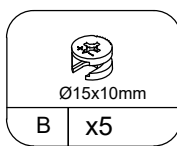
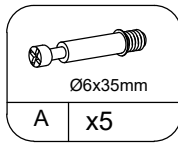
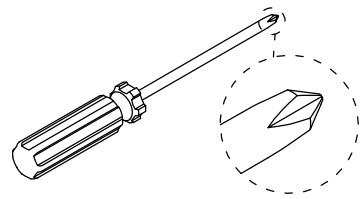
STEP 23



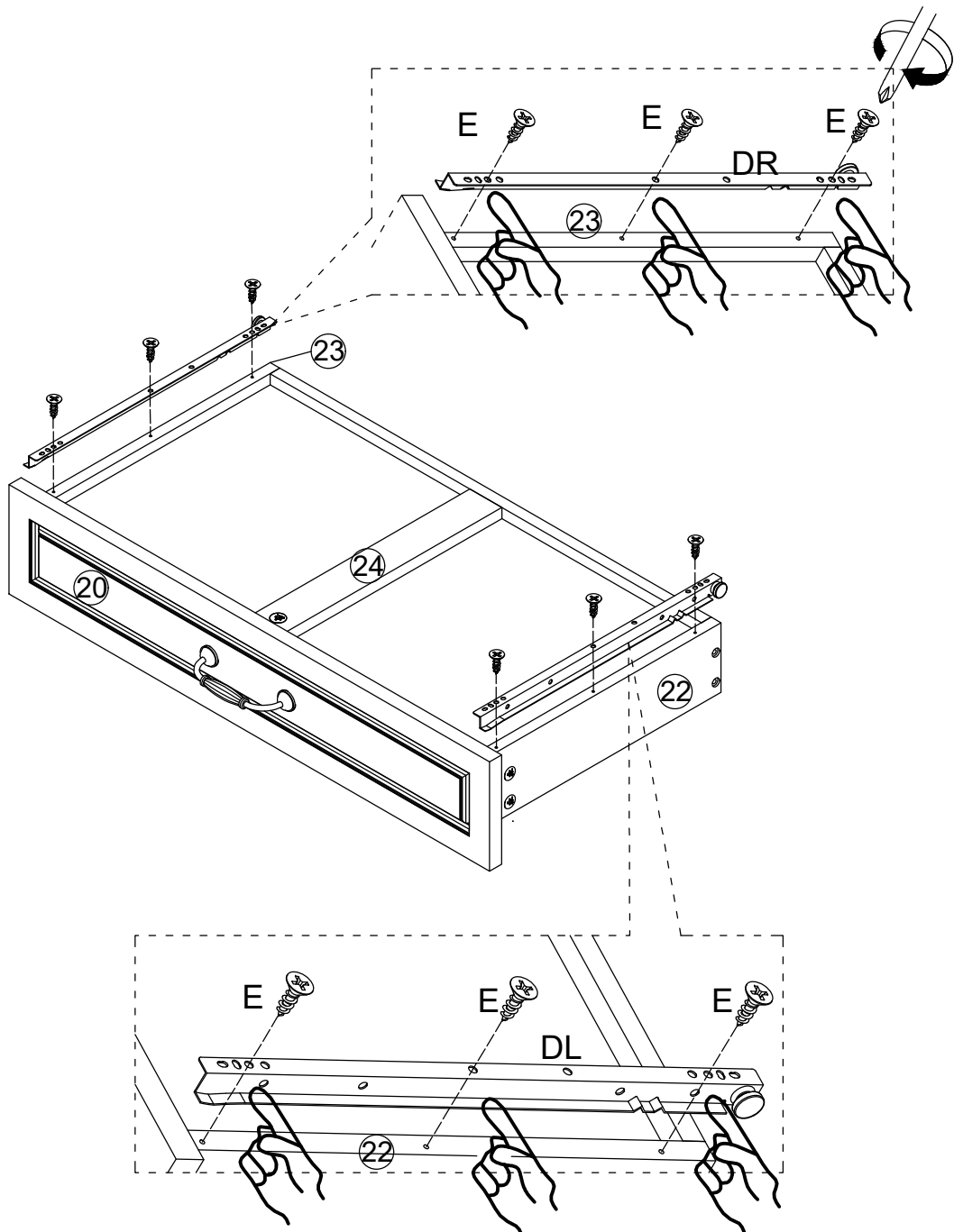
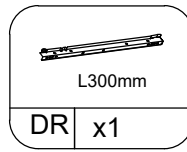
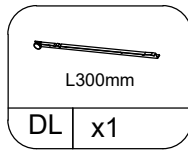
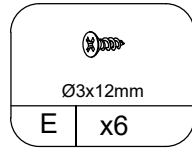
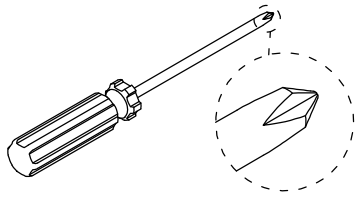
STEP 24



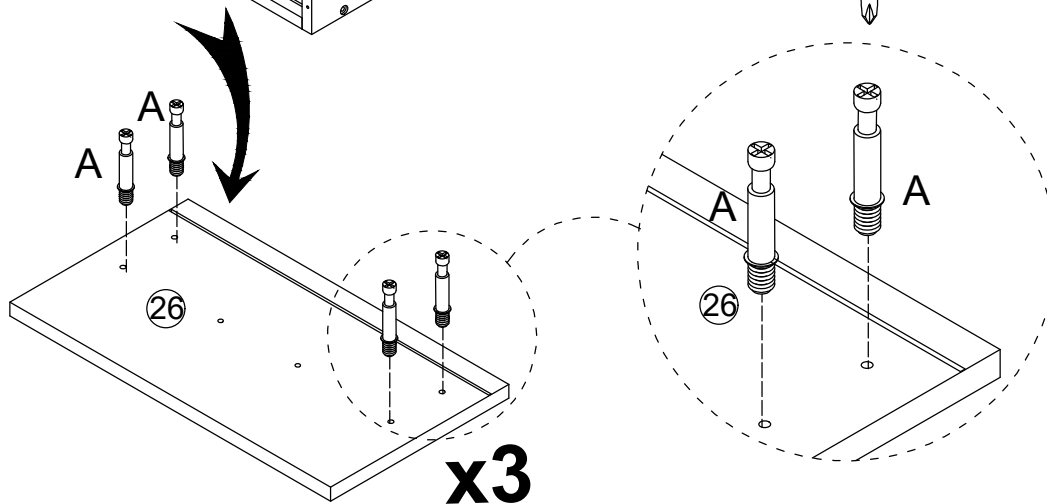
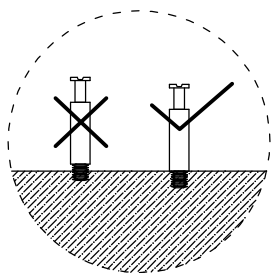
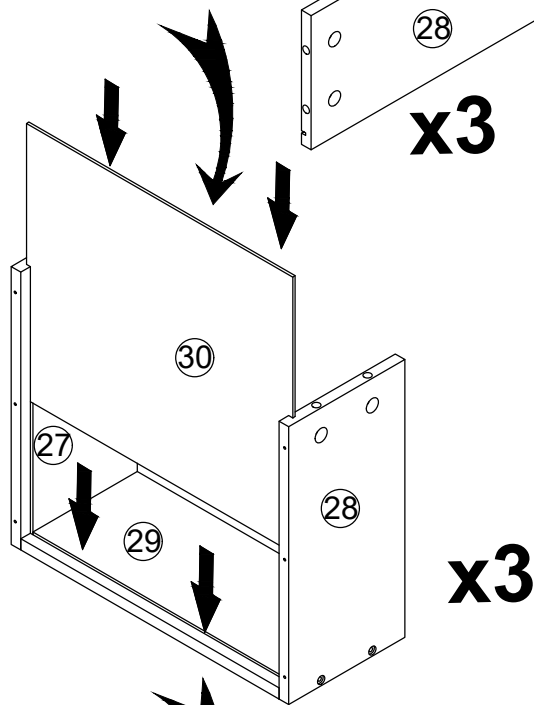
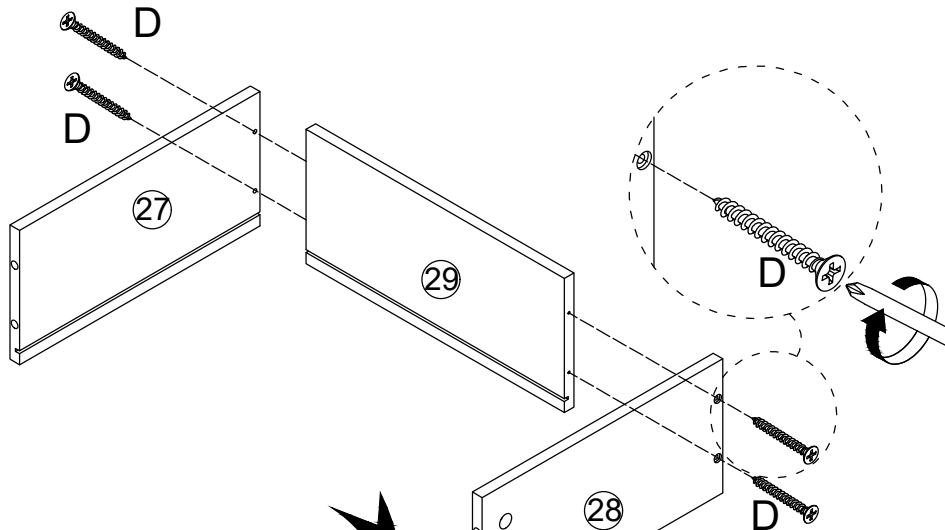
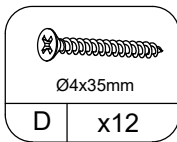
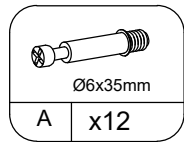
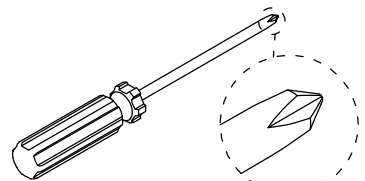
STEP 25



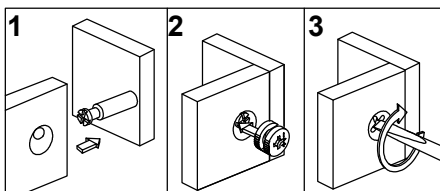
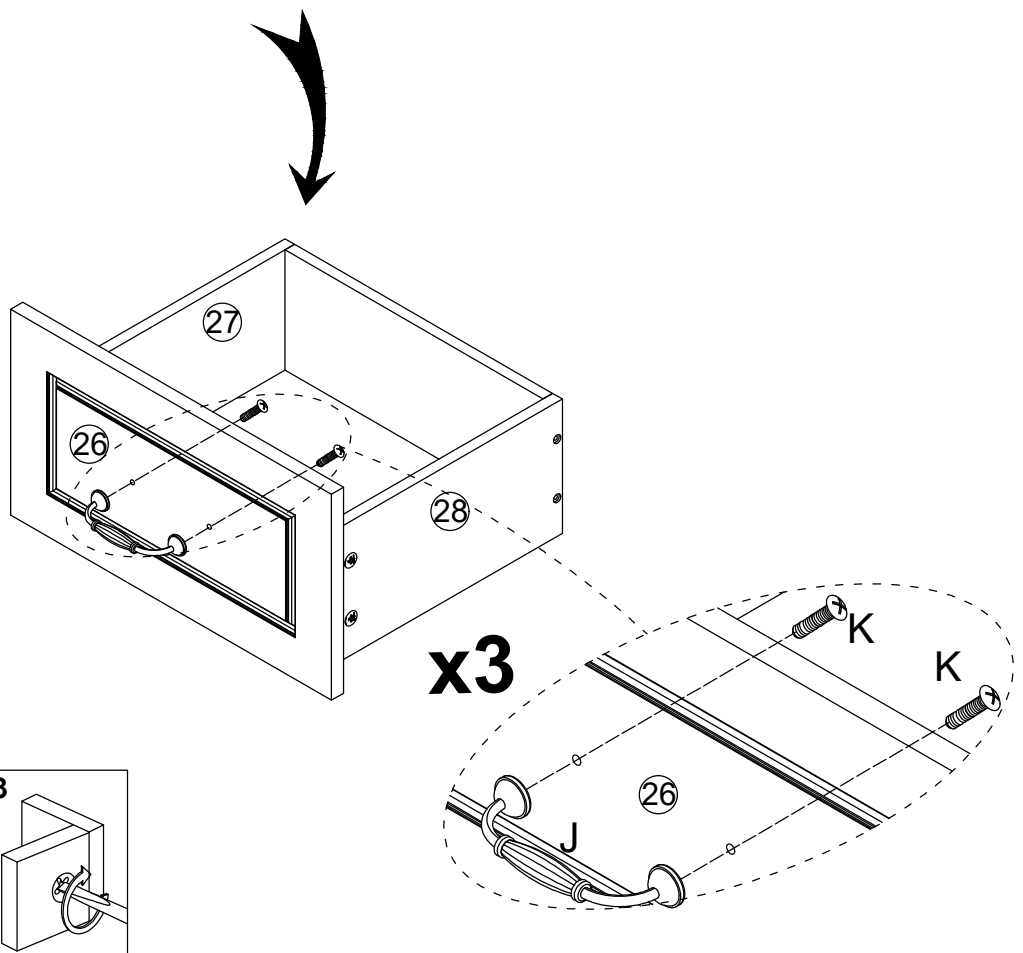
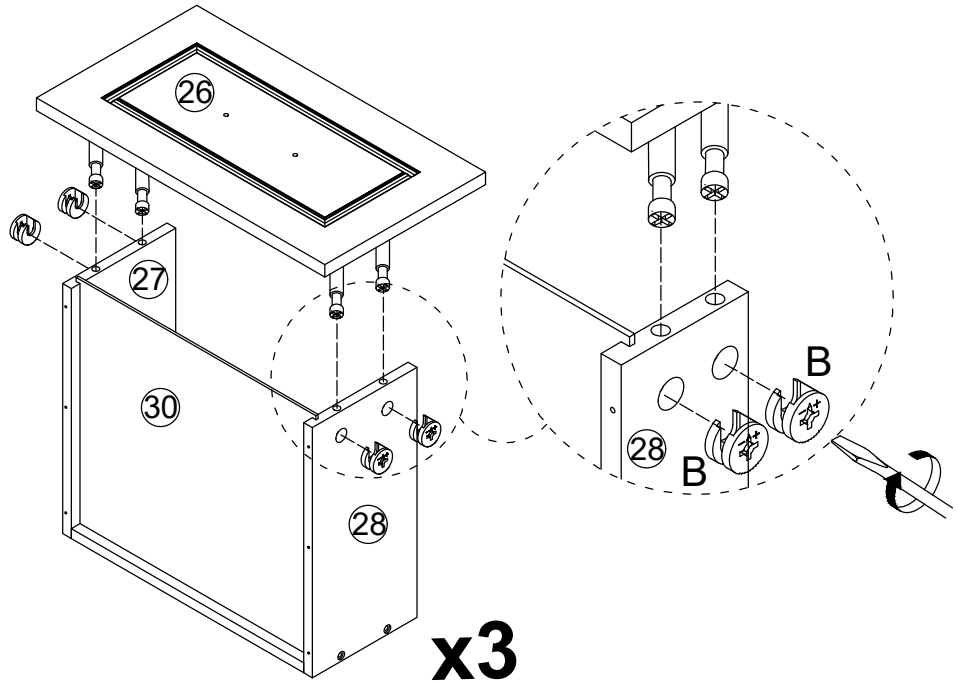
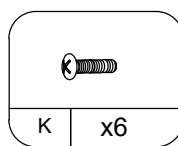
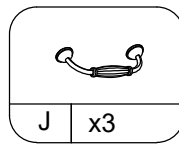
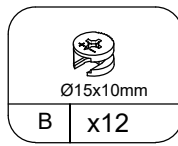
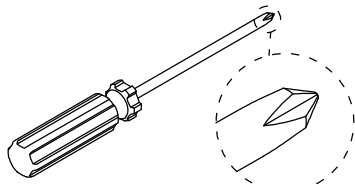
STEP 26



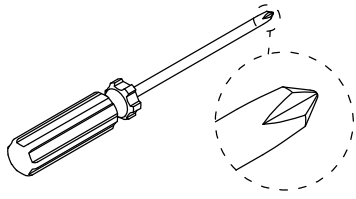
STEP 27





STEP 28




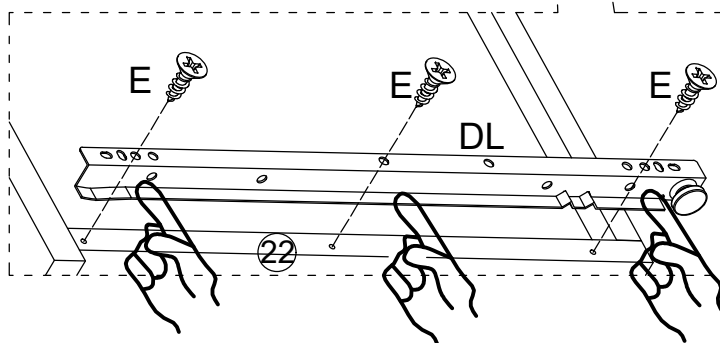
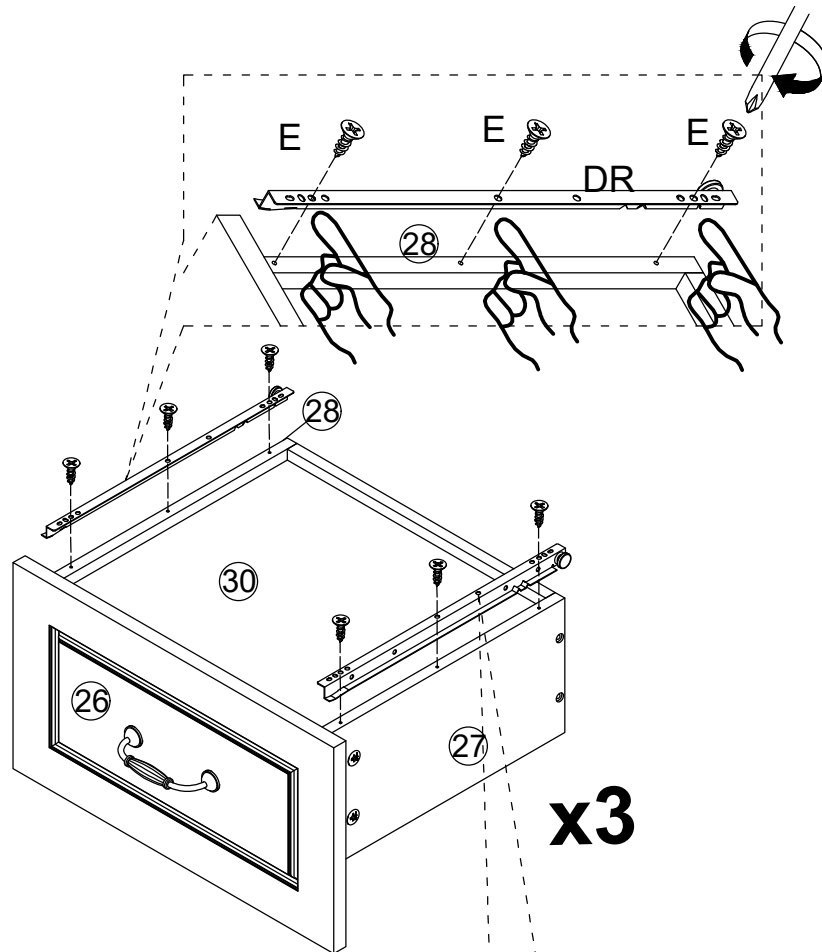
STEP 29



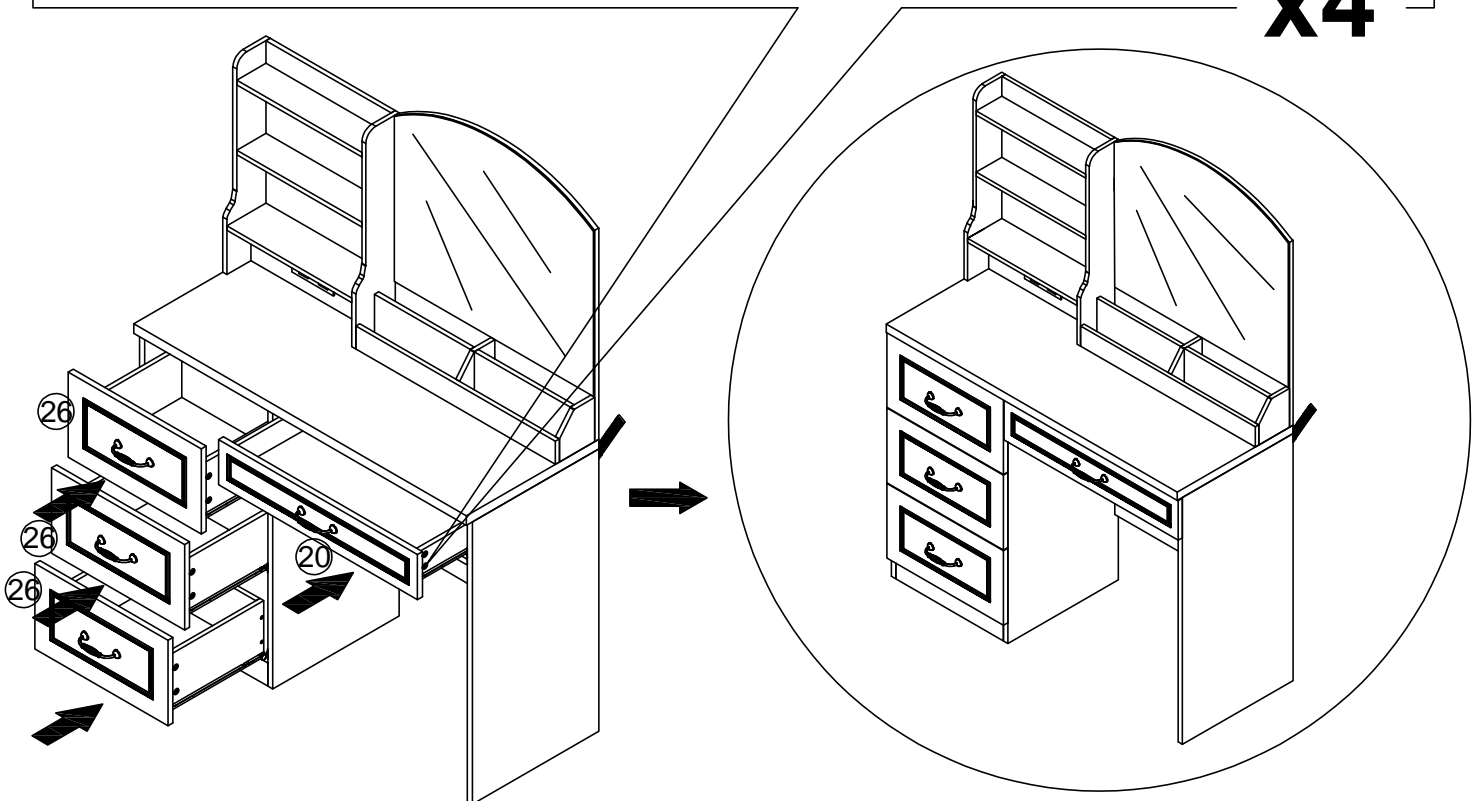
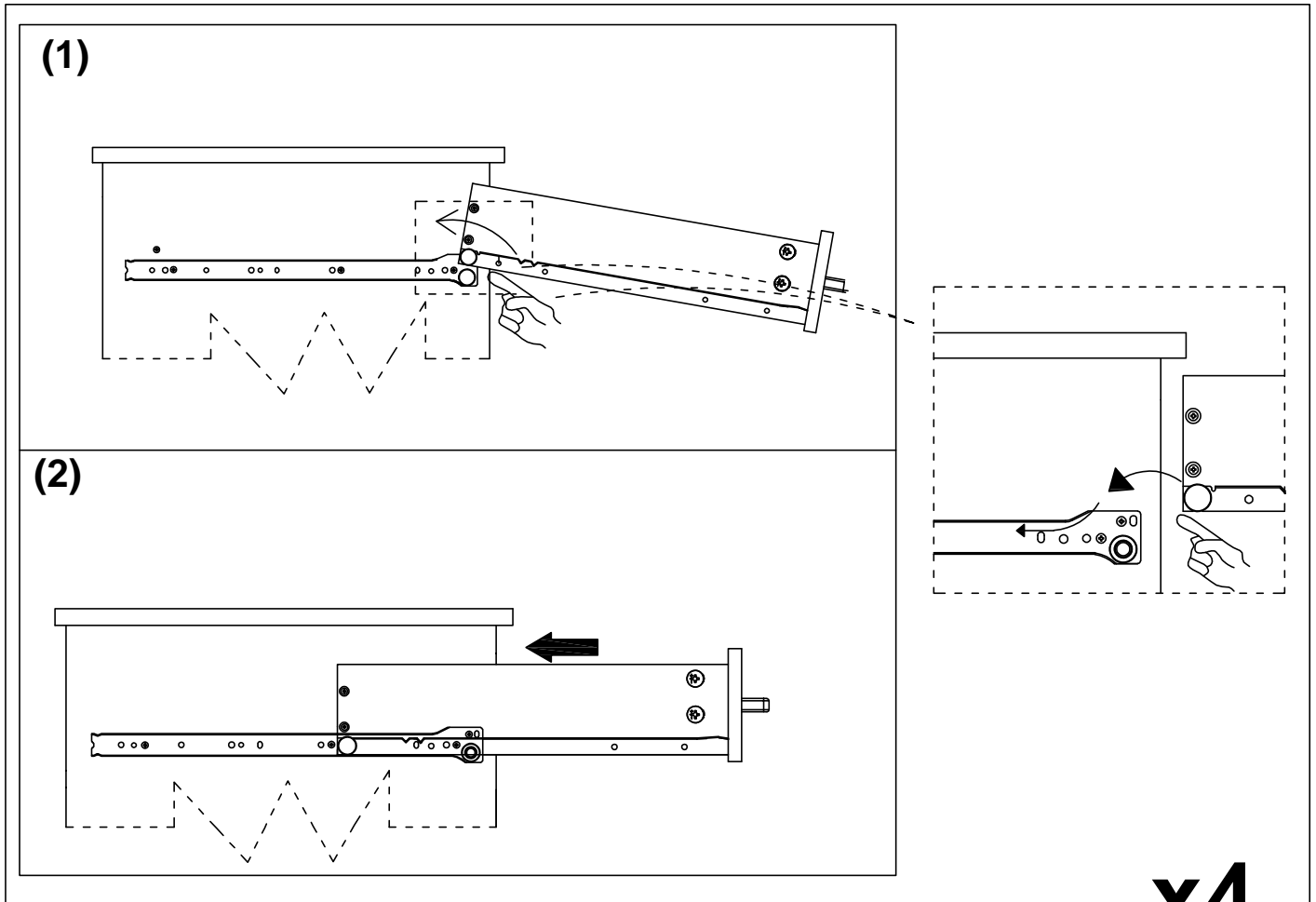
| | |
|---|-----|
|  | |
| Ø3x12mm | |
| E | x18 |

| | |
|---|----|
|  | |
| L300mm | |
| DL | x3 |

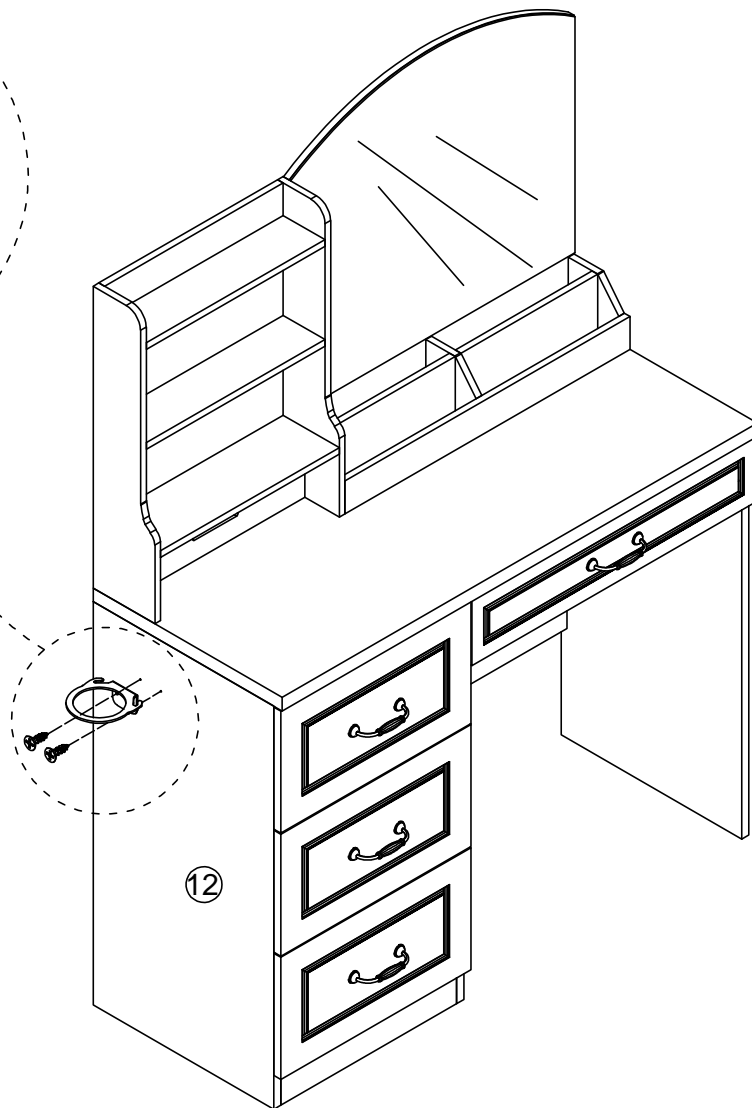
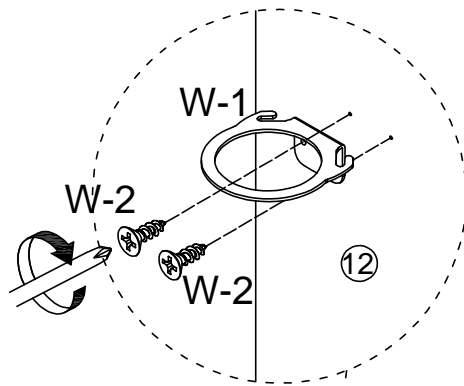
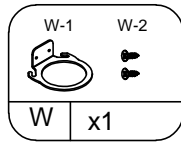
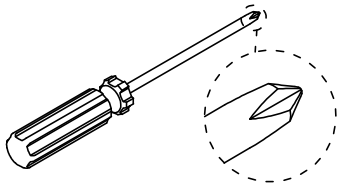
| | |
|---|----|
|  | |
| L300mm | |
| DR | x3 |



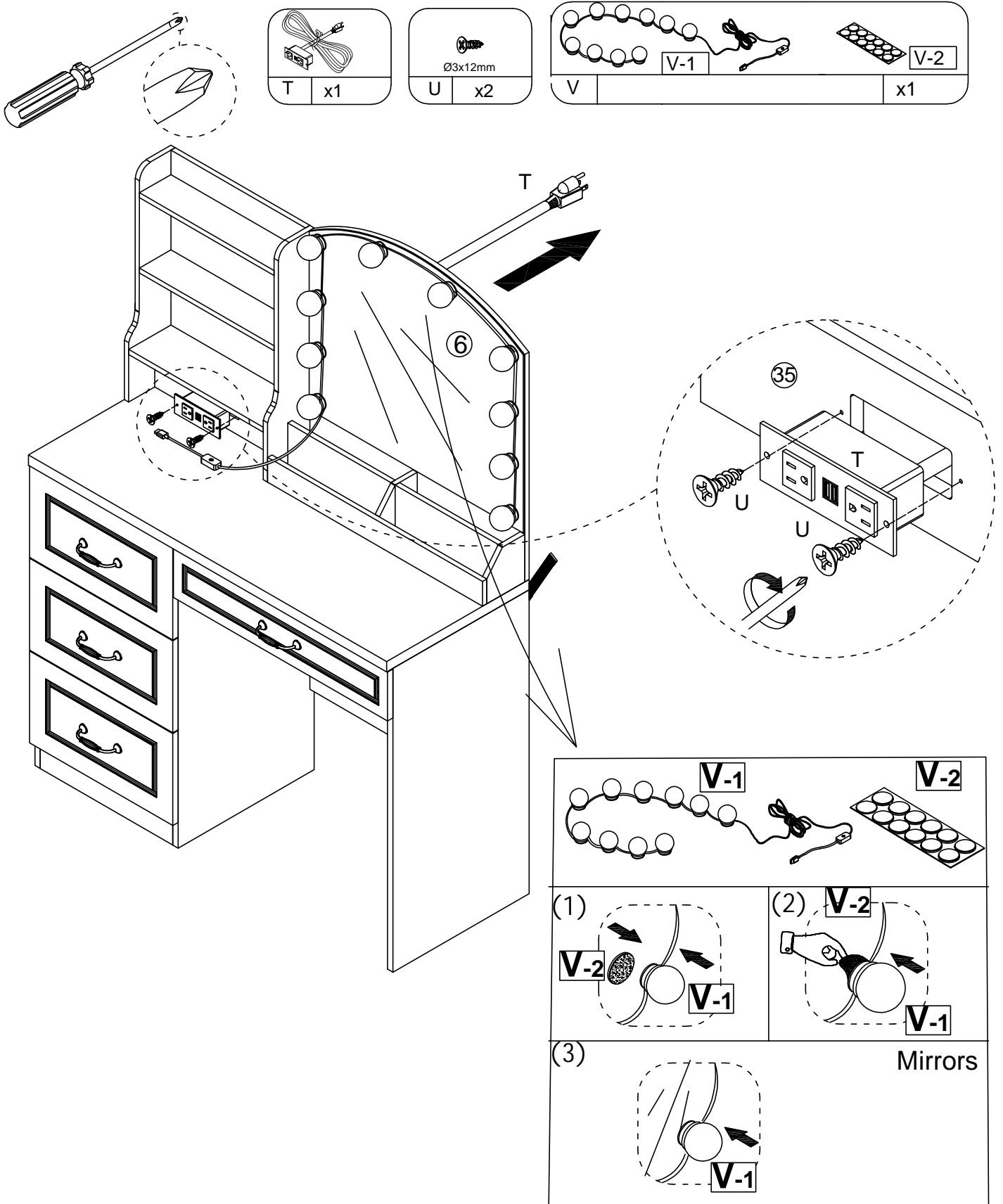
STEP 30



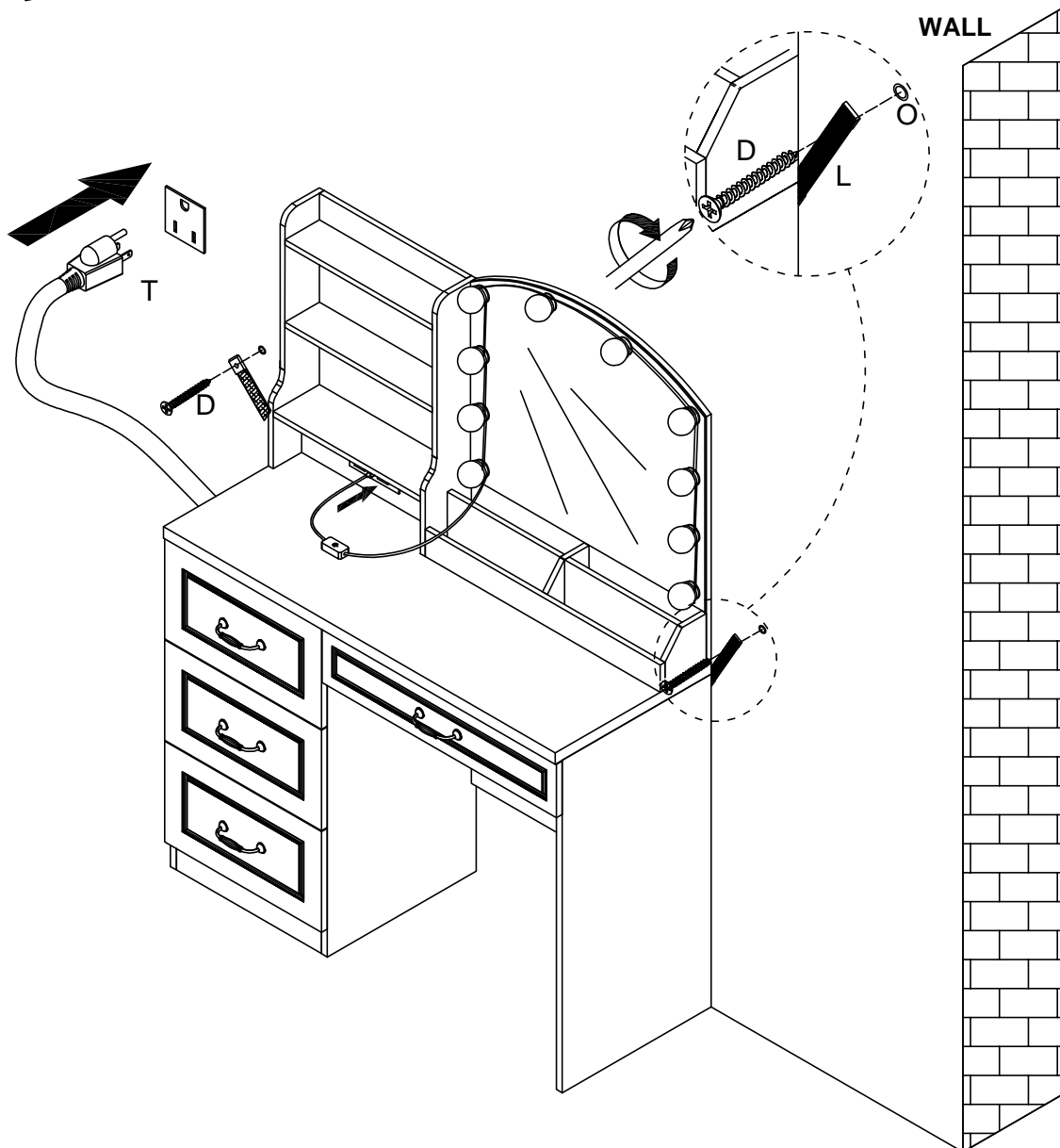
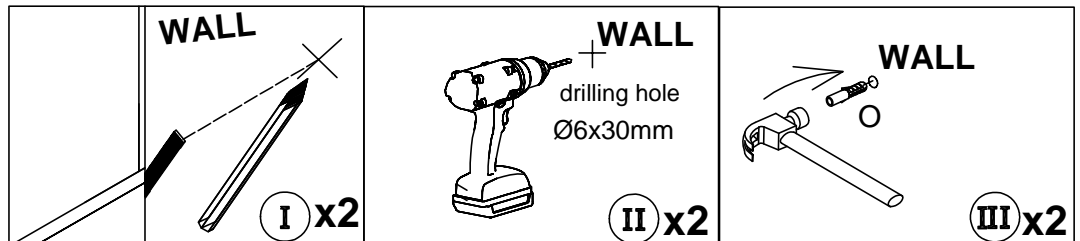
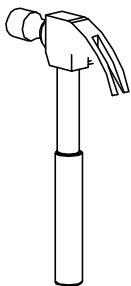
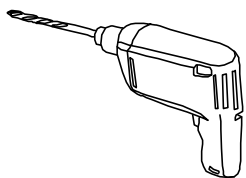
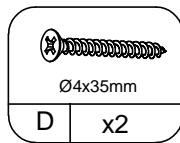
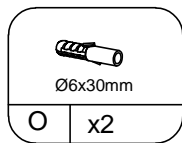
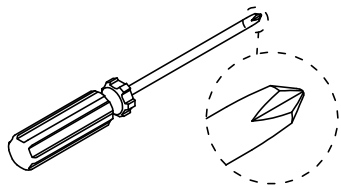
STEP 31



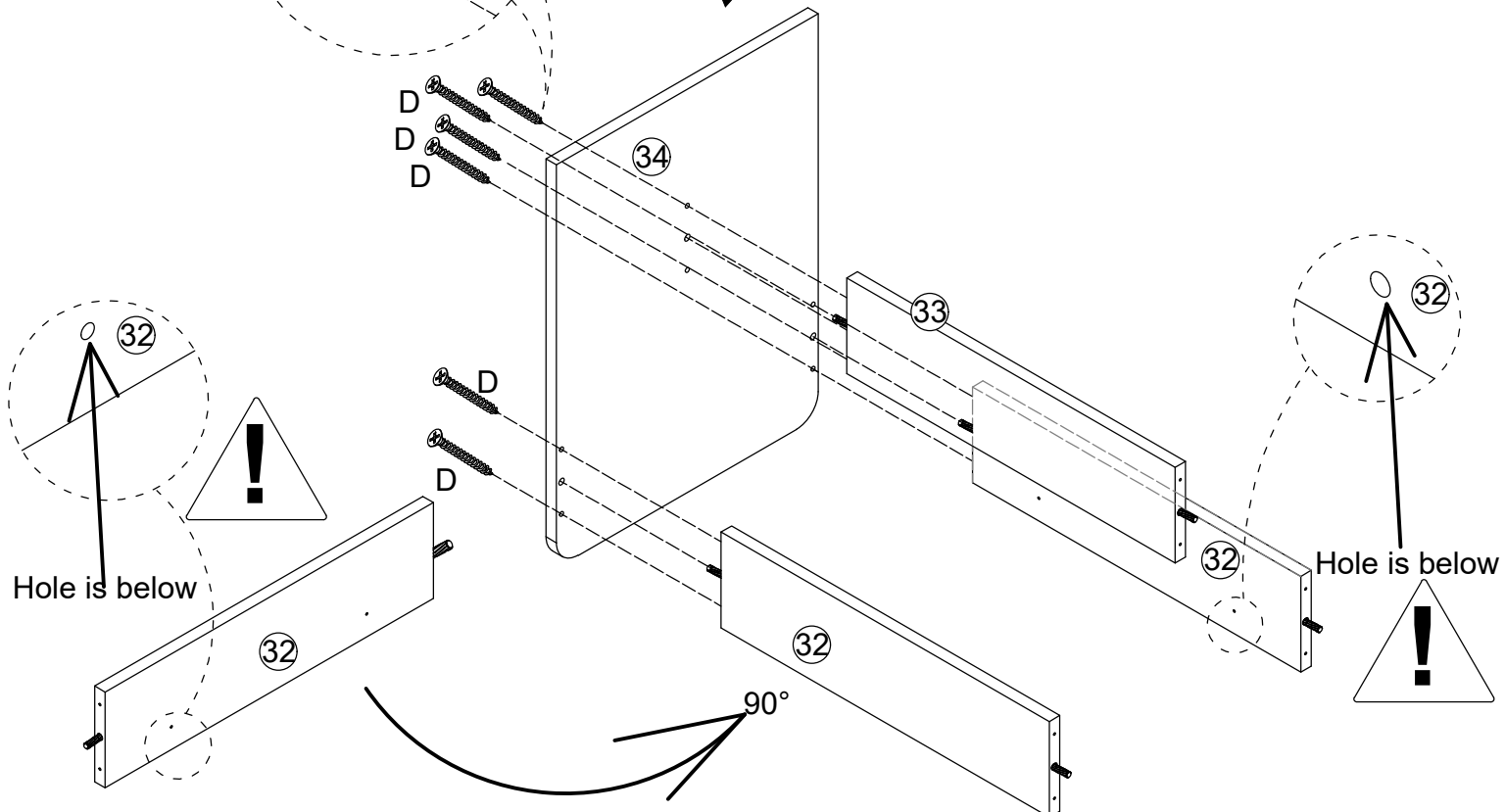
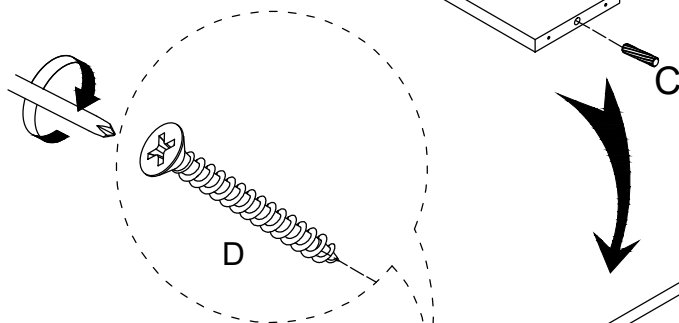
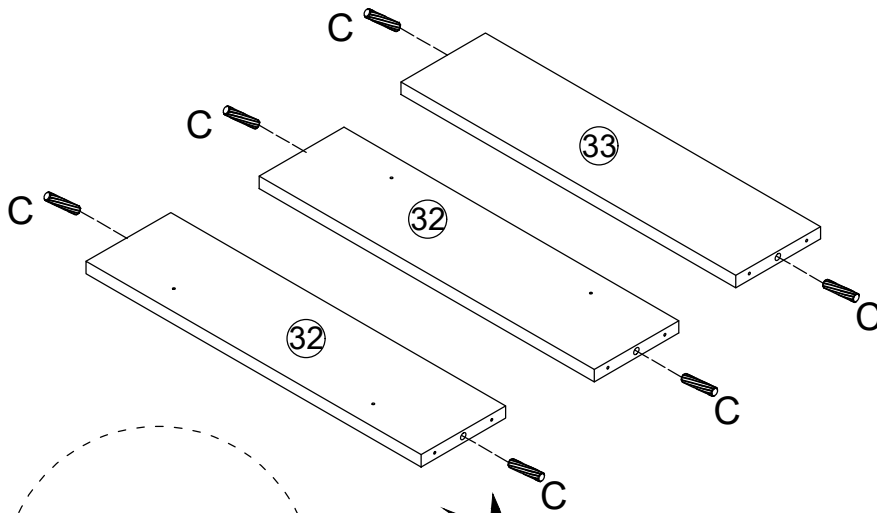
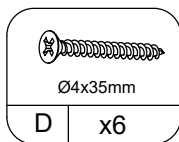
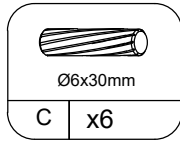
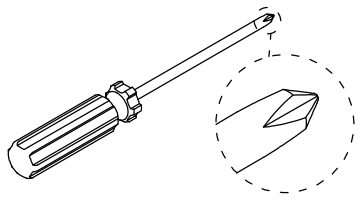
STEP 32



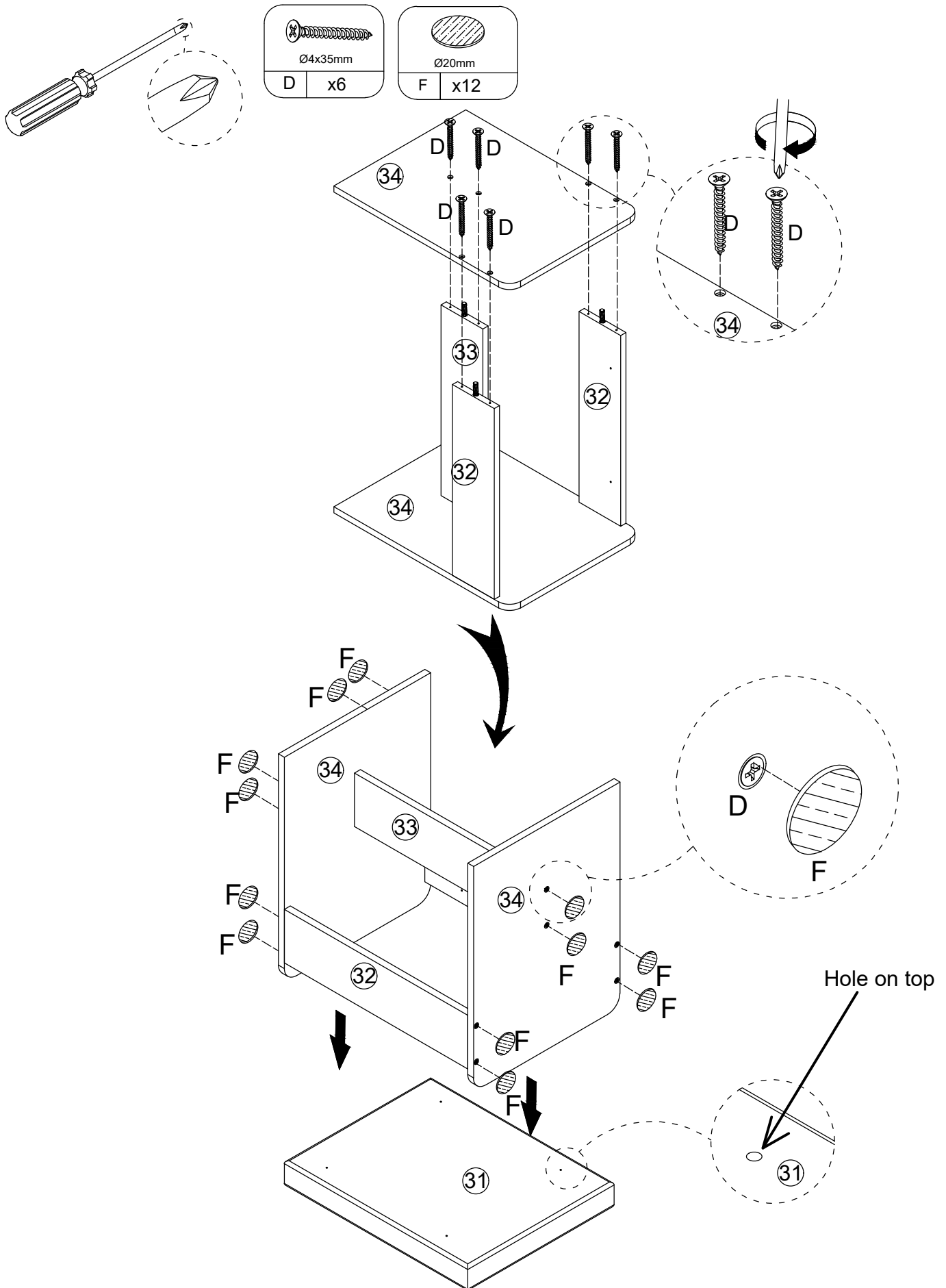
STEP 33



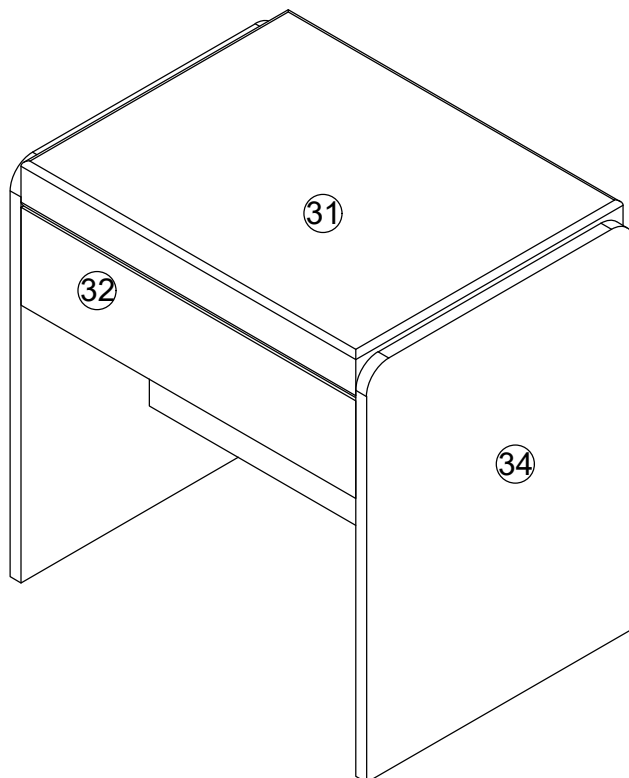
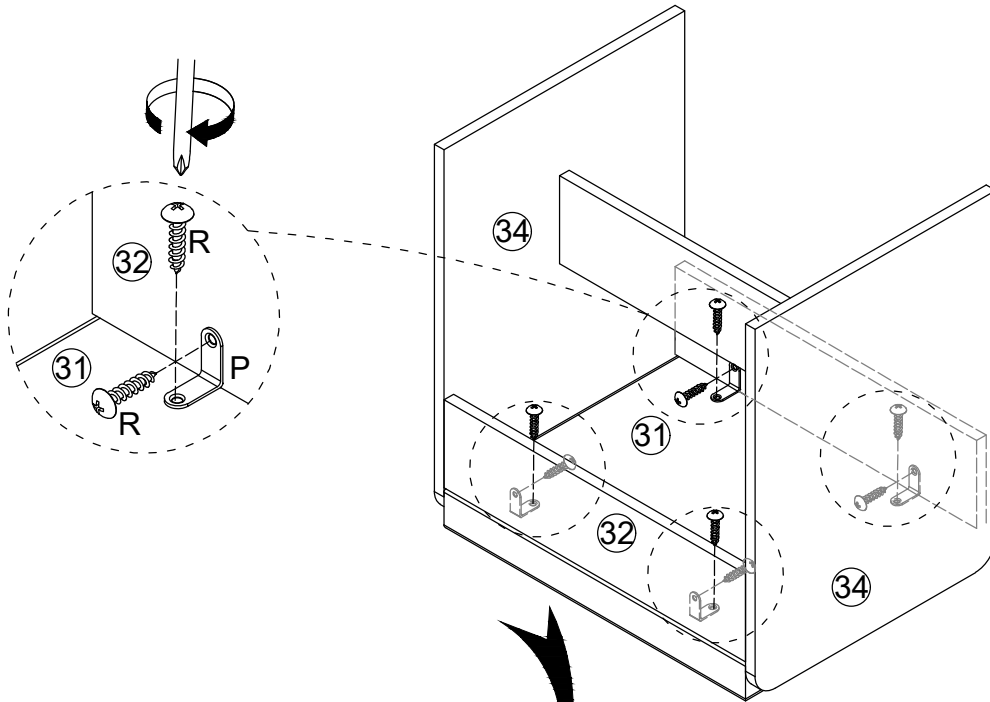
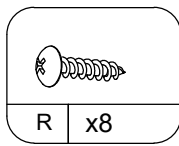
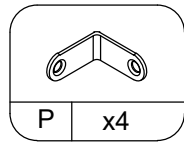
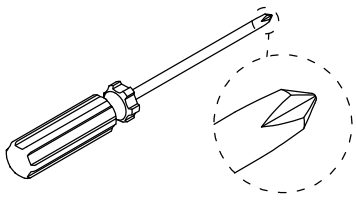
STEP 34



STEP 35



STEP 36



STEP 37

