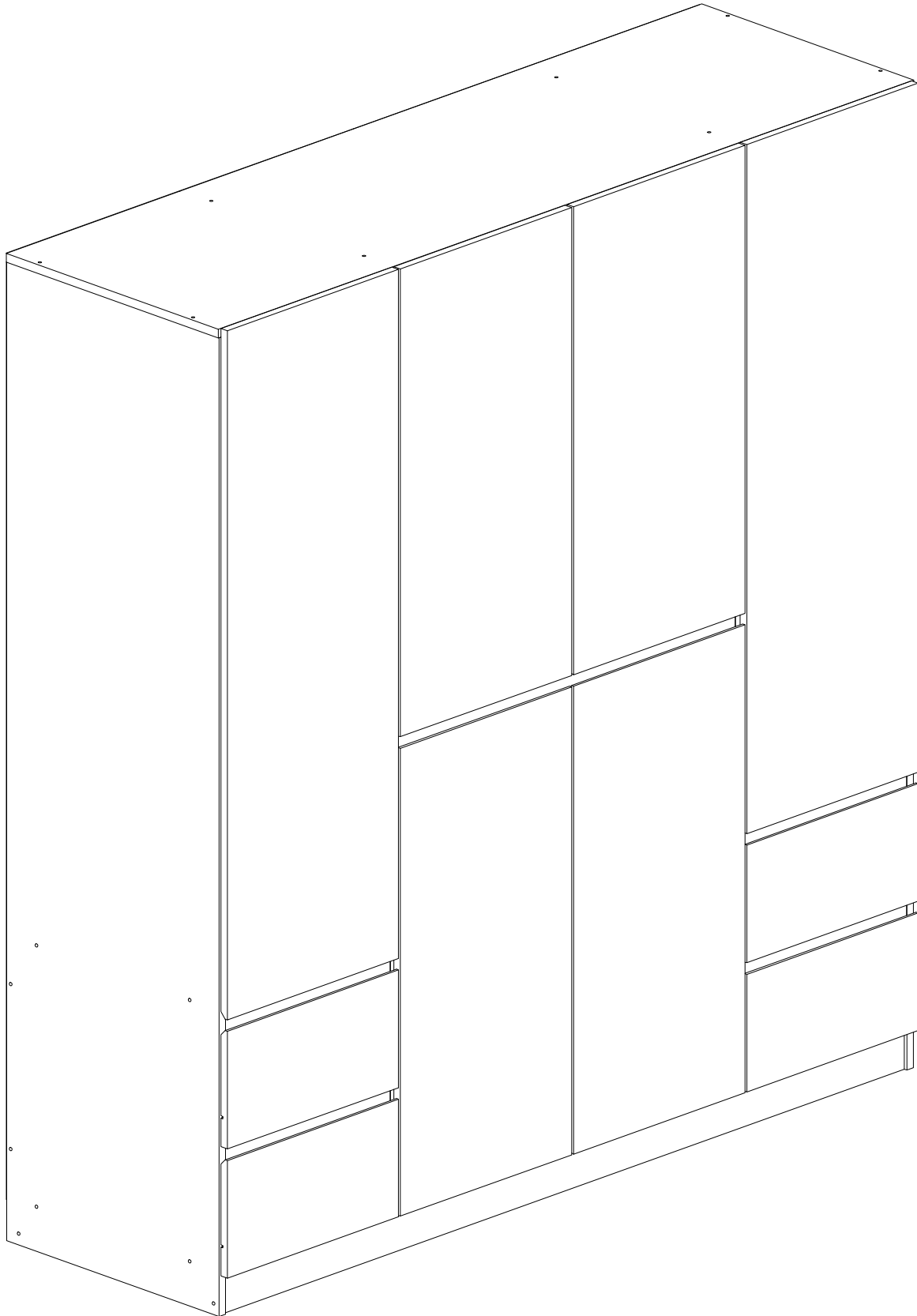


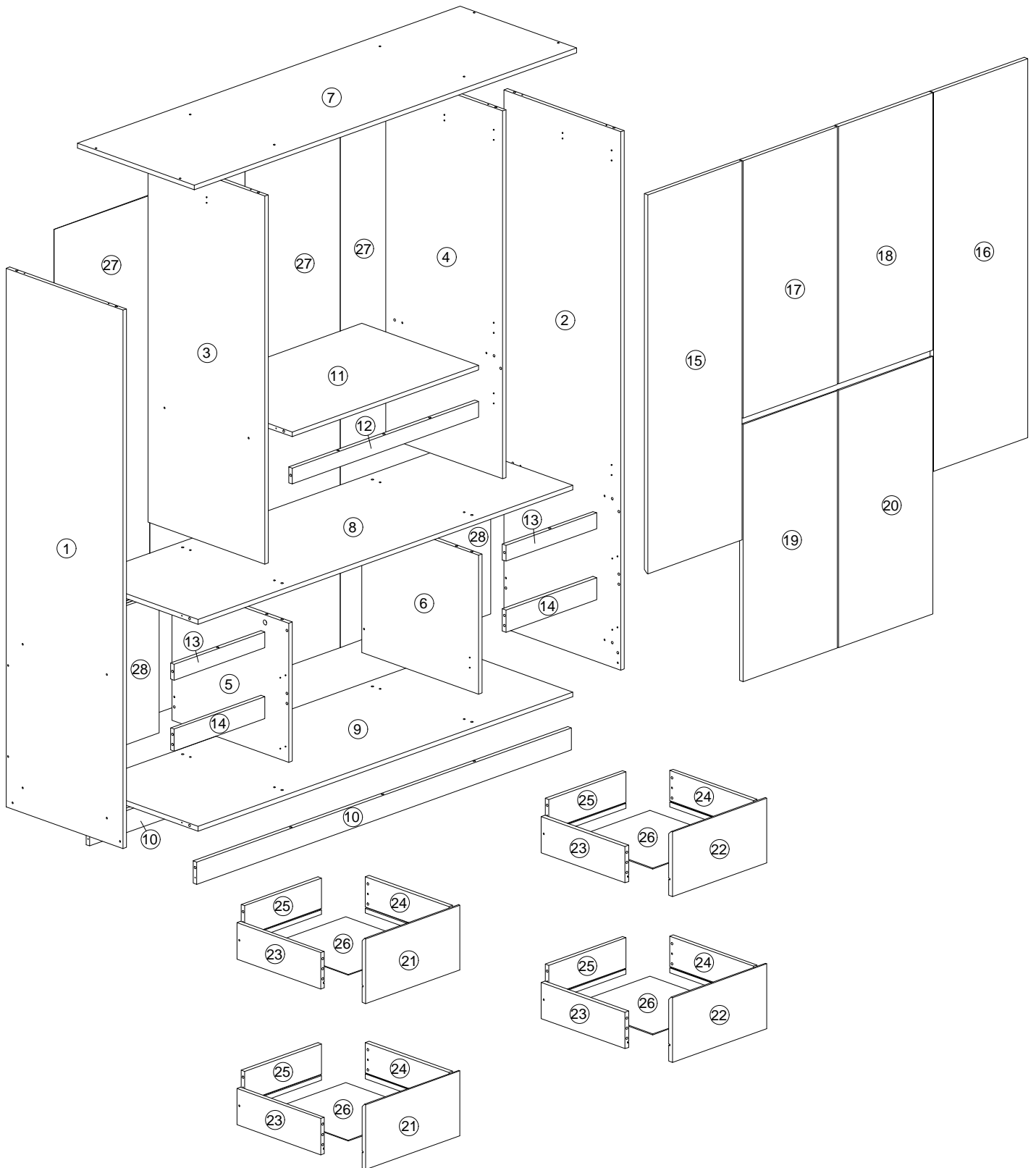
Assembly Instruction

SKU CODE : N820P188420 / N820P188421 / N820P188422



Assembly Instruction

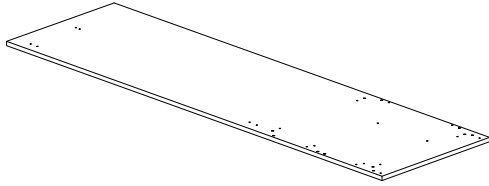
Detail :



Assembly Instruction

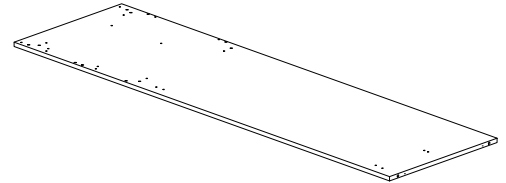
Part List (N820P188420)

① X 1



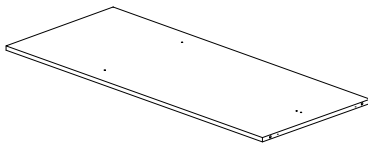
Side Panel Left

② X 1



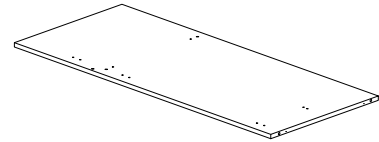
Side Panel Right

③ X 1



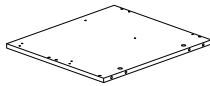
Center Panel Left - Up

④ X 1



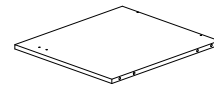
Center Panel Right - Up

⑤ X 1



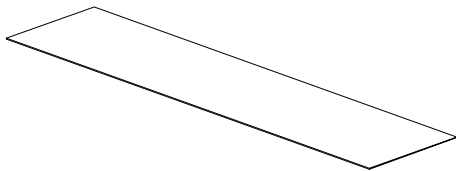
Center Panel Left - Down

⑥ X 1



Center Panel Right - Down

②⑦ X 4

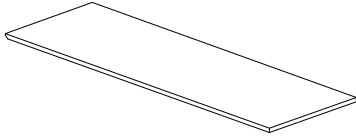


Back Panel

Assembly Instruction

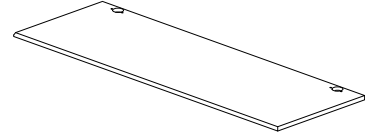
Part List (N820P188421)

⑮ X 1



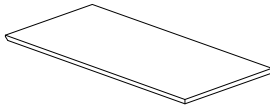
Door Panel Left Big

⑯ X 1



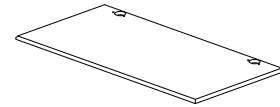
Door Panel Right Big

⑰ X 1



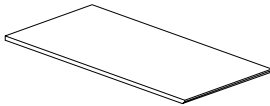
Center Door Panel Left - Up

⑱ X 1



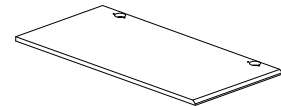
Center Door Panel Right - Up

⑲ X 1



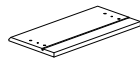
Center Door Panel Left - Down

⑳ X 1



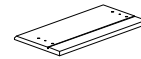
Center Door Panel Right - Down

㉑ X 2



Drawer Front Left

㉒ X 2

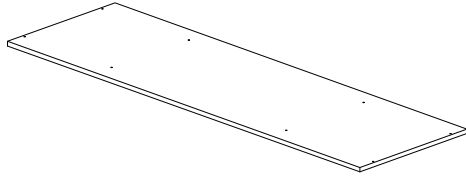


Drawer Front Right

Assembly Instruction

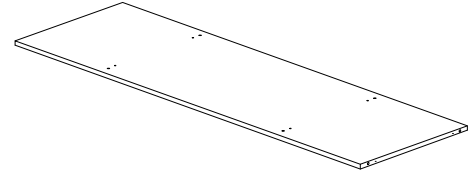
Part List (N820P188422)

⑦ X 1



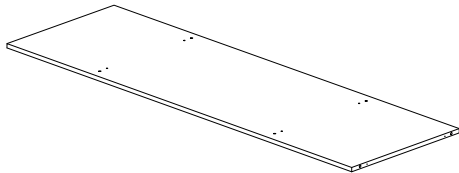
Top Panel

⑧ X 1



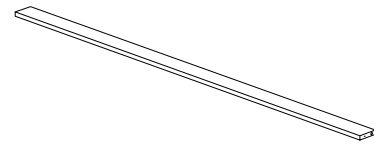
Partition Panel Big

⑨ X 1



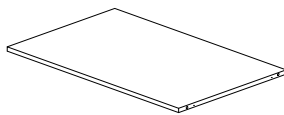
Bottom Panel

⑩ X 2



Bottom Support Panel

⑪ X 1



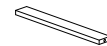
Partition Panel Small

⑫ X 1



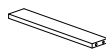
Partition Small Support Panel

⑬ X 2



Left Right Support Panel - Up

⑭ X 2



Left Right Support Panel - Center

⑳ X 4



Drawer Side Panel Left

㉕ X 4



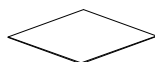
Drawer Back Panel

㉔ X 4



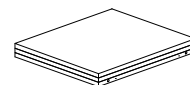
Drawer Side Panel Right

㉖ X 4



Drawer Bottom Panel

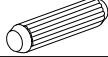
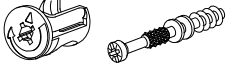




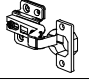
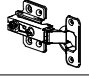


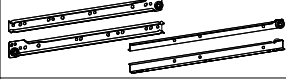




㉘ X 2




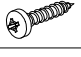


Back Panel Small

Assembly Instruction

Hardware List (N820P188422)

No.	SHAPE	DESCRIPTION	Qty.
A		8x25mm Dowel (Wood)	98Pcs
B		15mm Myfix Minifix	15Sets
C		M3.5x16mm Screw	132Pcs
D		M4x45mm Screw	48Pcs
E		M3.5x12mm Screw	24Pcs
F		V Bracket	6Pcs
G		Hinges 2/8	8Pcs
H		Hinges 5/8	4Pcs
I		5/8 Nail With Pin	8Pcs
J		6/8 Power Pin	60Pcs
K		Drawer Slide (350mm)	4Sets
L		Aluminium Pipe(372mm)	2Pcs
M		Aluminium Pipe(772mm)	1Pc
N		L Bracket	6Pcs
O		Sticker	16Pcs

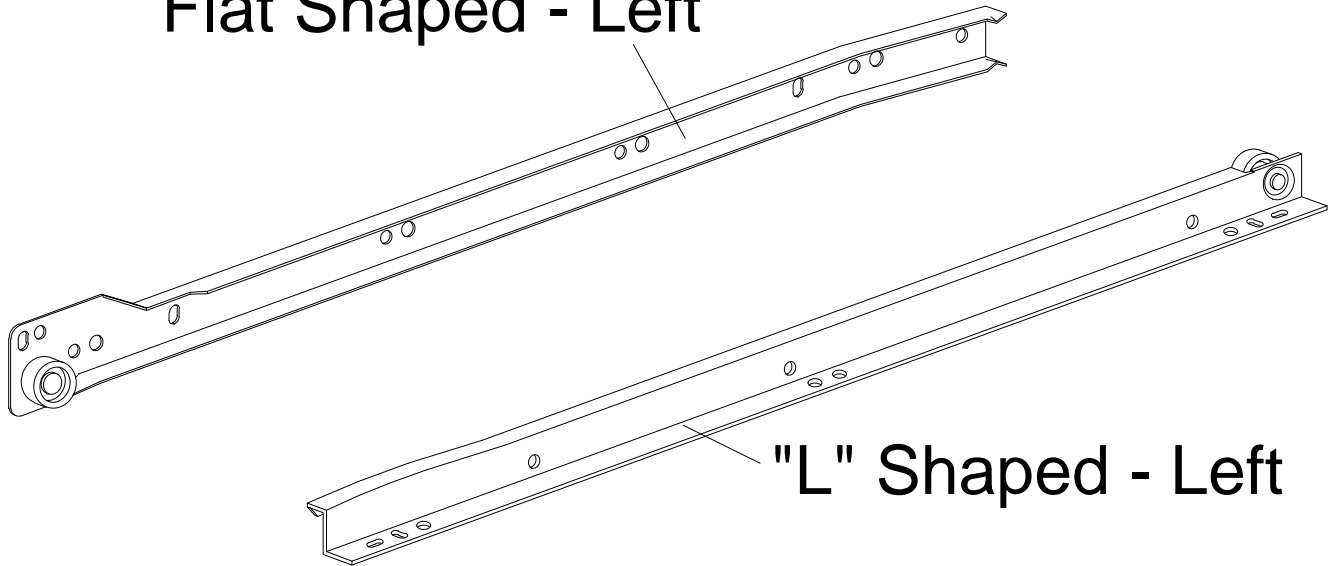
Anti Tipping Hardware (Box)

No.	SHAPE	DESCRIPTION	Qty.
a		Mounting Bracket	2Pcs
b		TP 6# x 5/8" Screw	1Pc
c		TP 8# x 2" Screw	1Pc
d		Restraint Strap	1Pc

Assembly Instruction

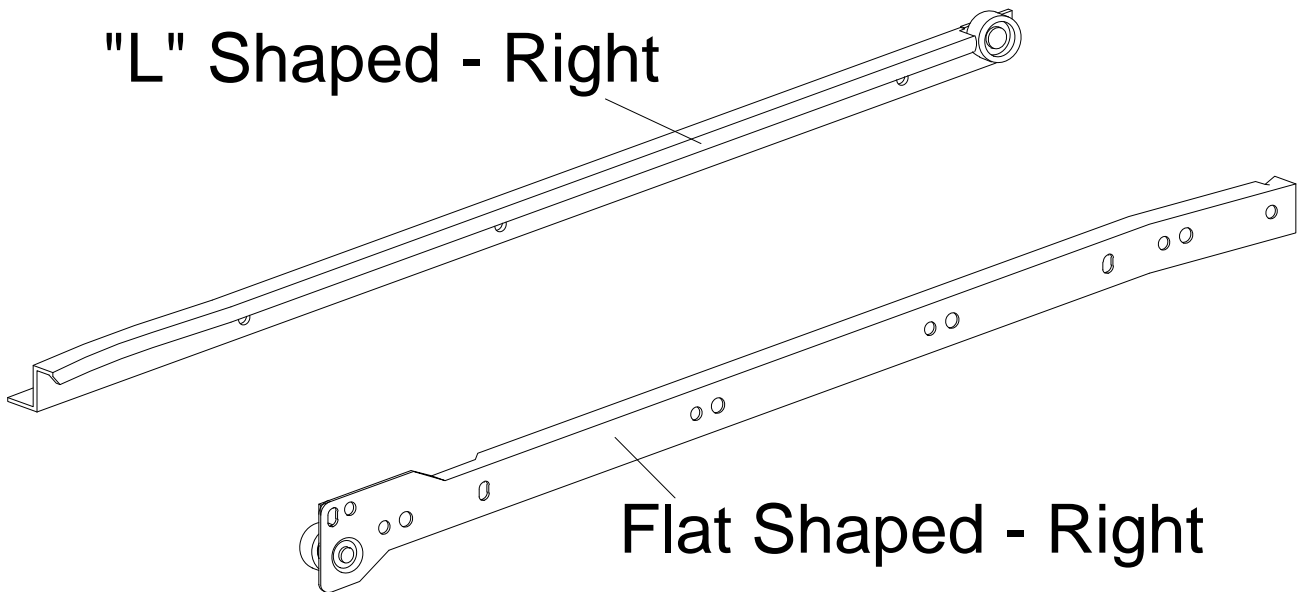
Left Drawer Silde (K)

Flat Shaped - Left



Right Drawer Silde (K)

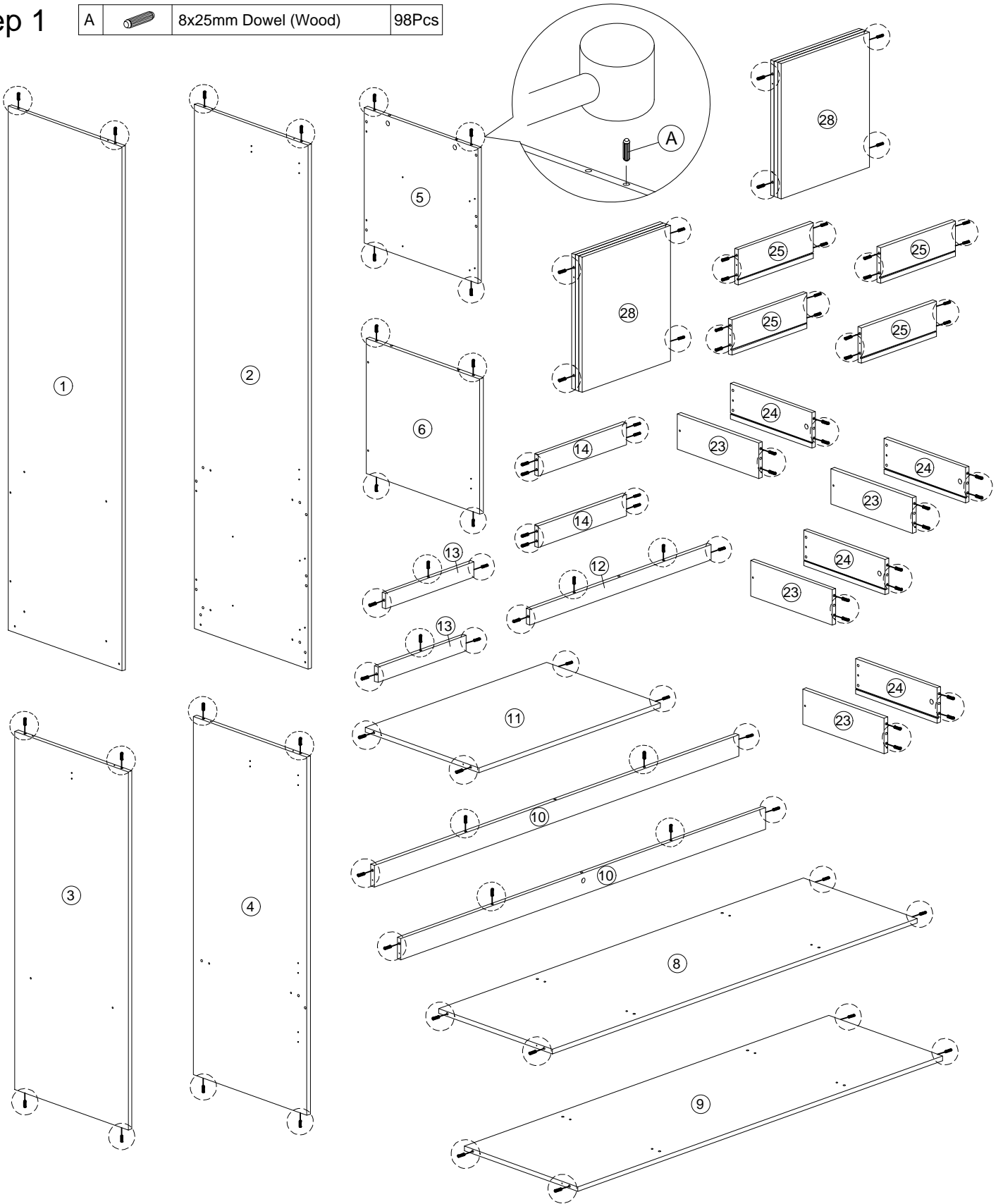
"L" Shaped - Right



Assembly Instruction

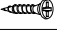

Step 1

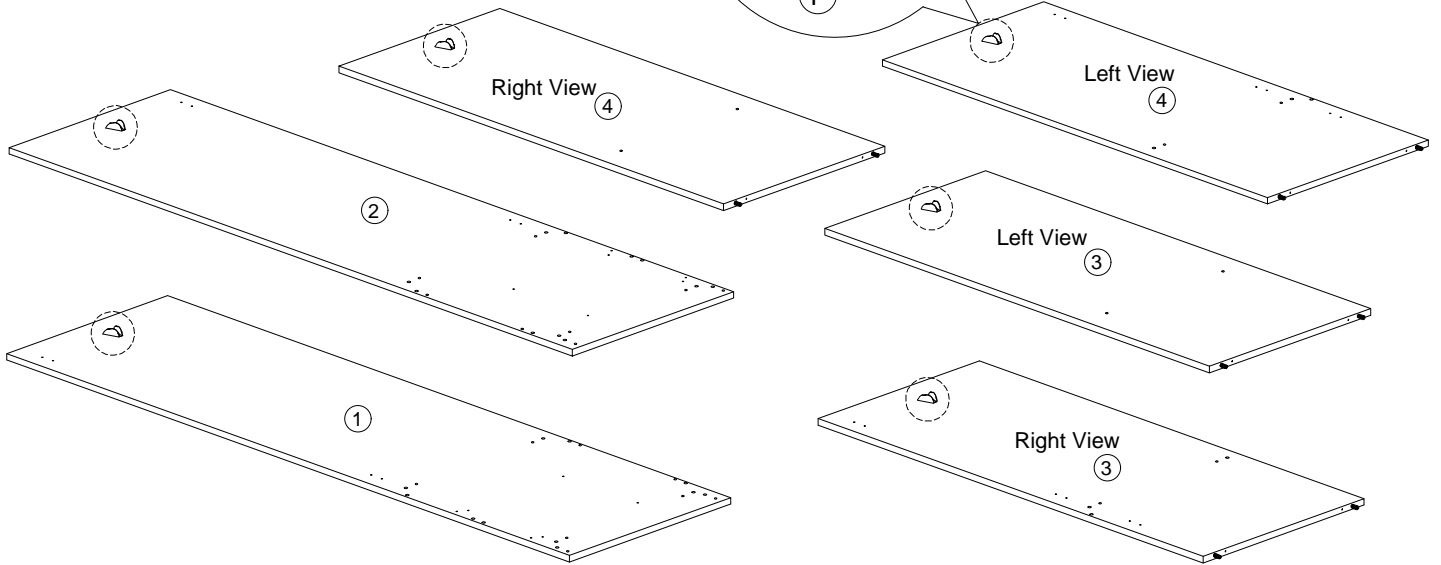
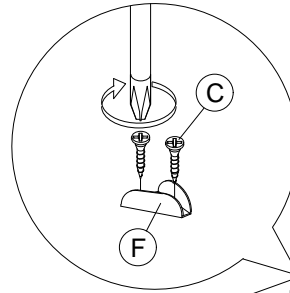
A  8x25mm Dowel (Wood) 98Pcs





Assembly Instruction


Step 2

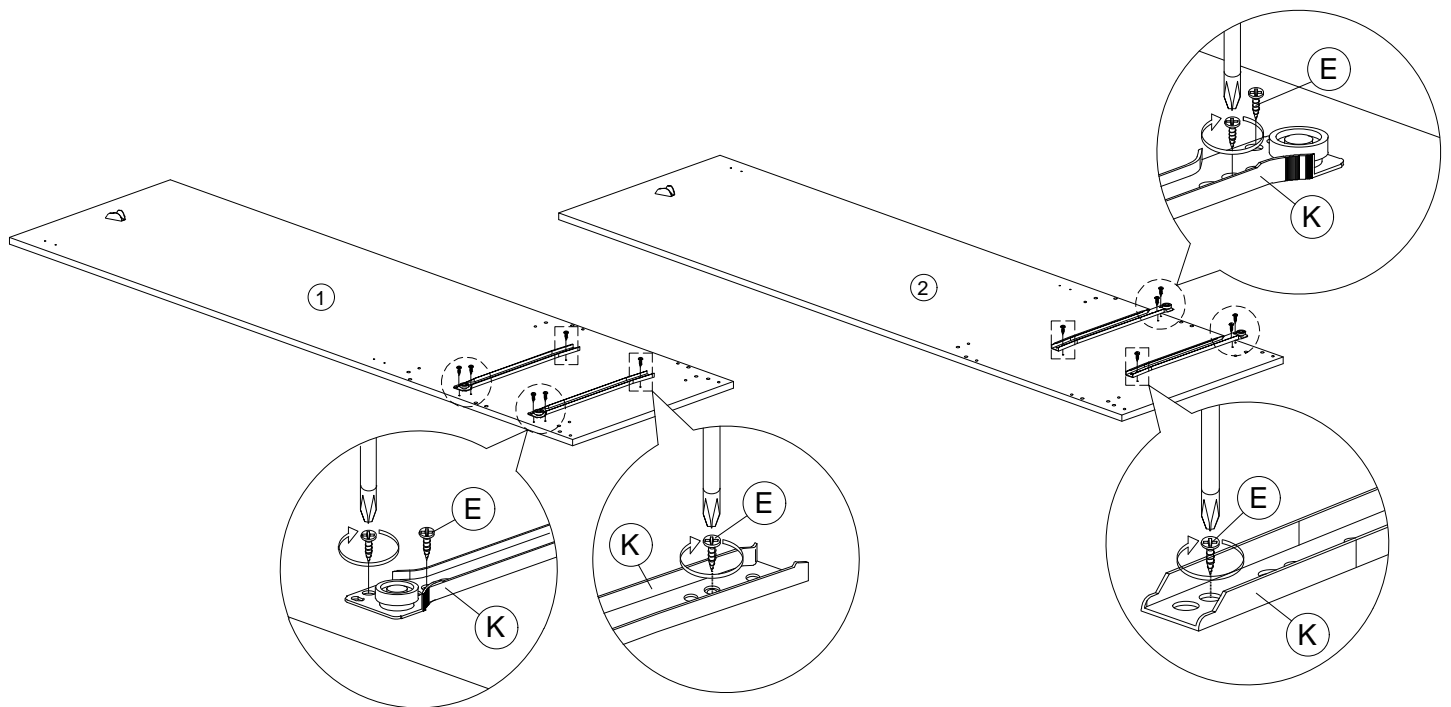
C		M3.5x16mm Screw	12Pcs
F		V Bracket	6Pcs



Step 3



E		M3.5x12mm Screw	12Pcs
K		Drawer Slide 350mm - R	2Pcs


K		Drawer Slide 350mm - L	2Pcs
---	-------------------------------------------------------------------------------------	------------------------	------

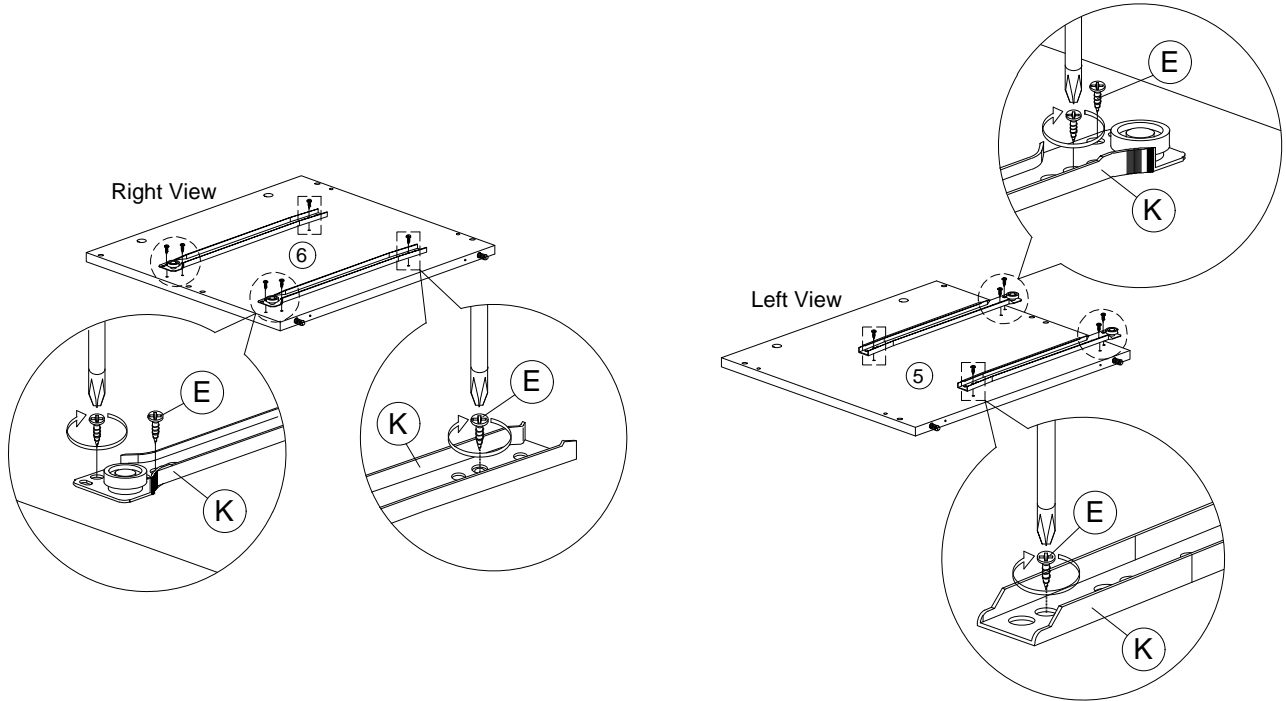


Assembly Instruction

Step 4

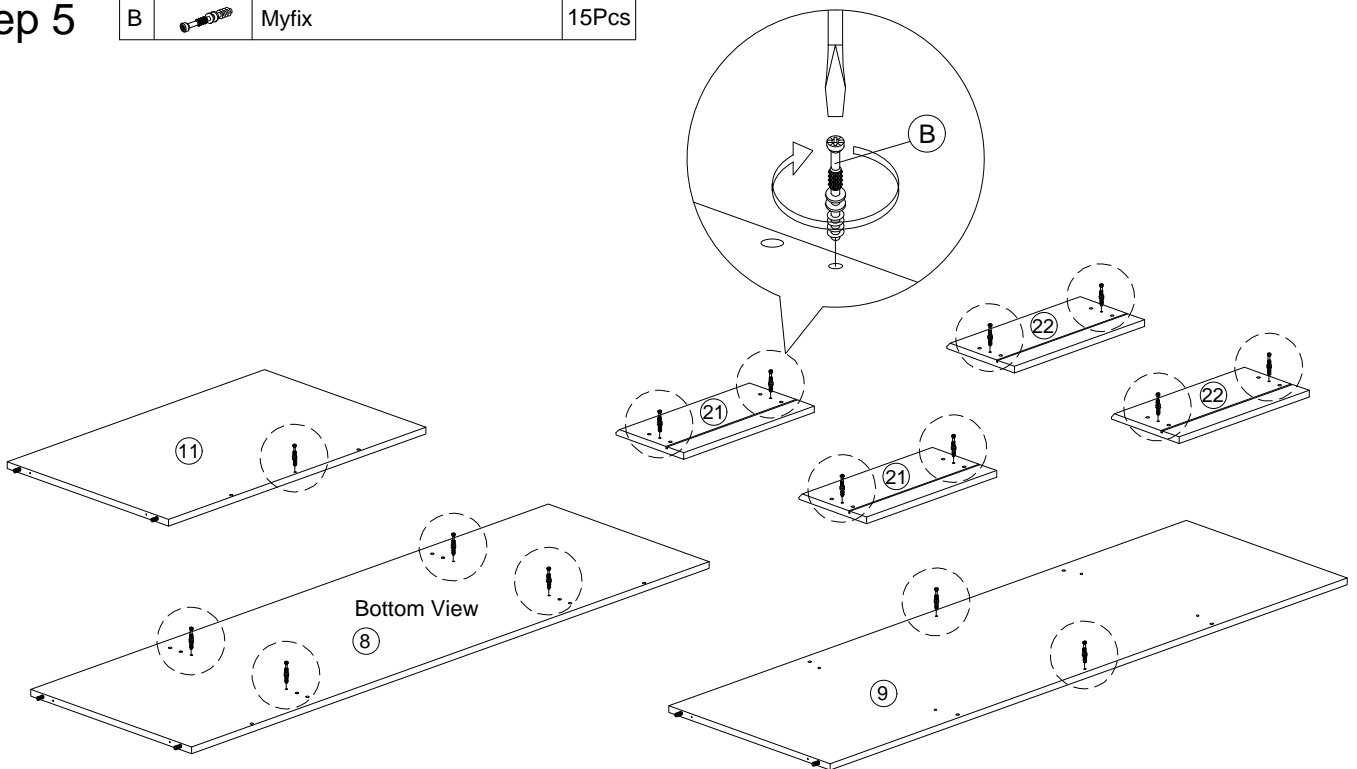
E		M3.5x12mm Screw	12Pcs
K		Drawer Slide 350mm - R	2Pcs

K		Drawer Slide 350mm - L	2Pcs
---	-----------------------------------------------------------------------------------	------------------------	------



Step 5

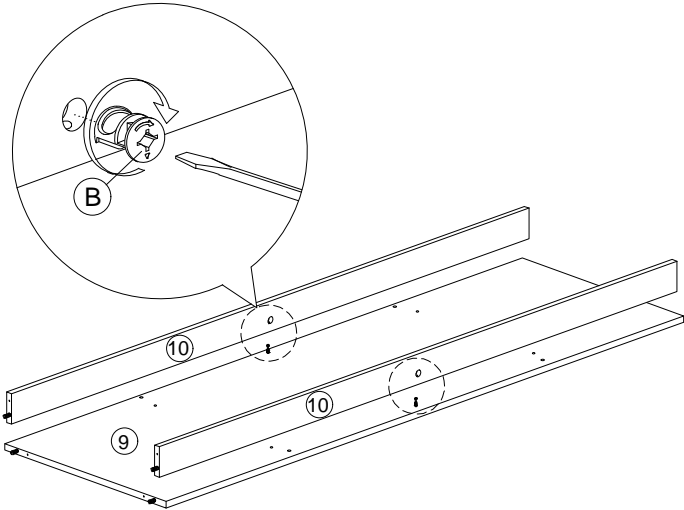
B		Myfix	15Pcs
---	-------------------------------------------------------------------------------------	-------	-------



Assembly Instruction

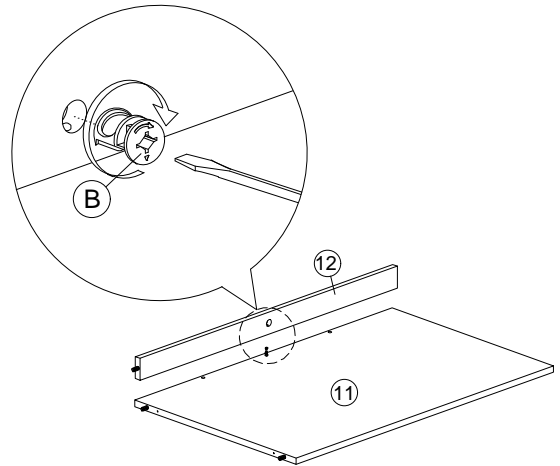
Step 6

B  Minifix 2Pcs




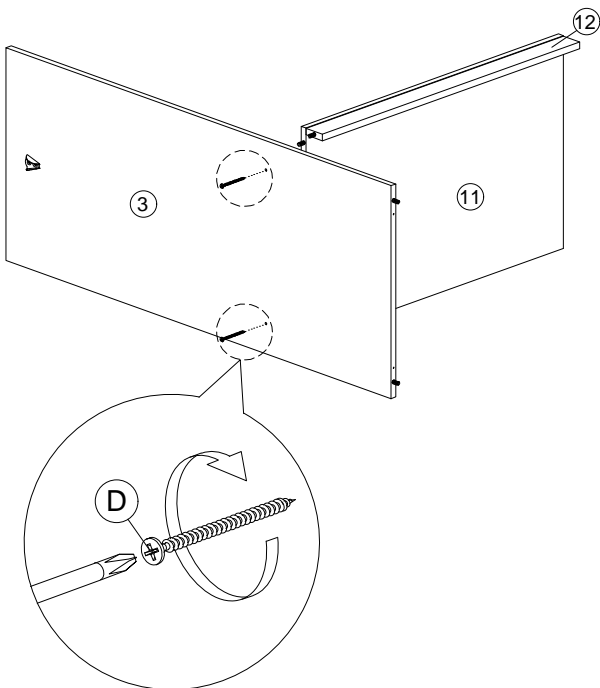
Step 7

B  Minifix 1Pc




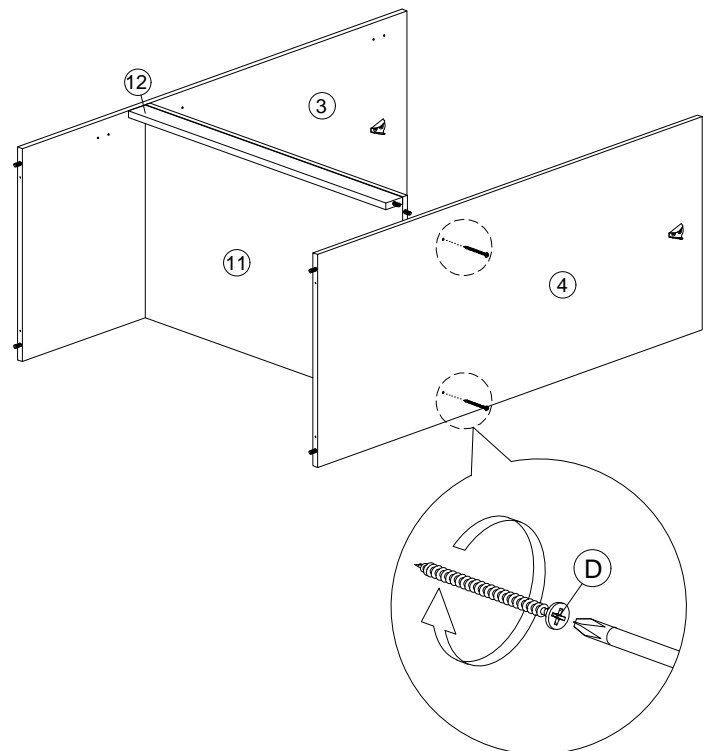
Step 8

D  M4x45mm Screw 2Pcs




Step 9

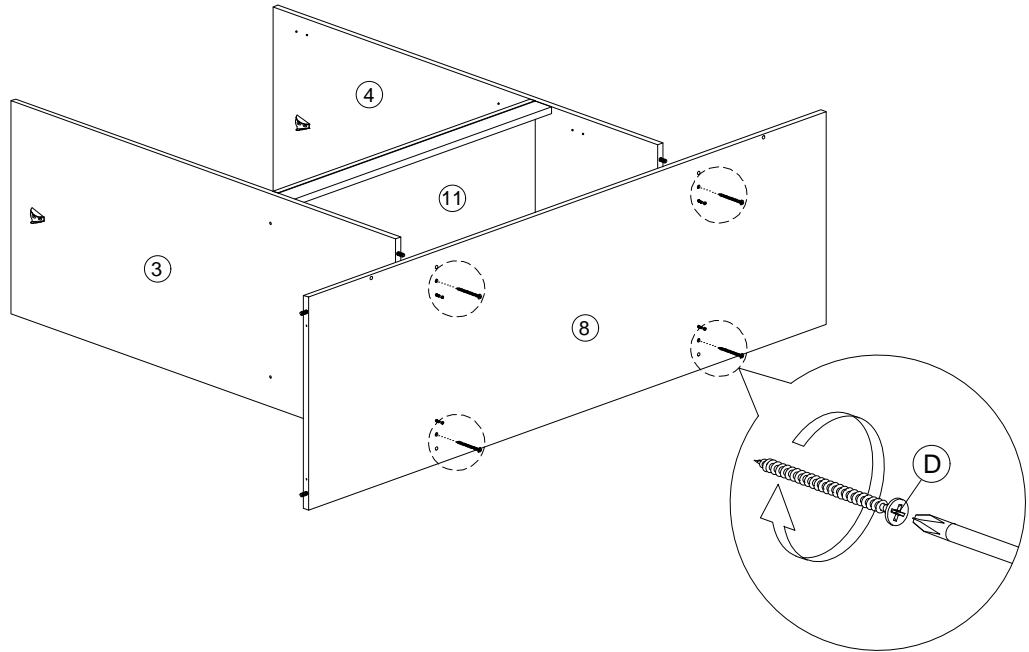
D  M4x45mm Screw 2Pcs



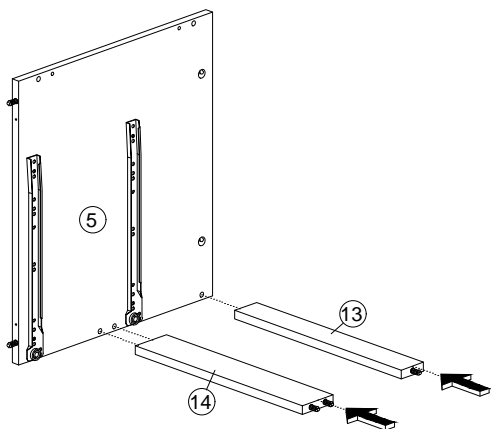
Assembly Instruction

Step 10

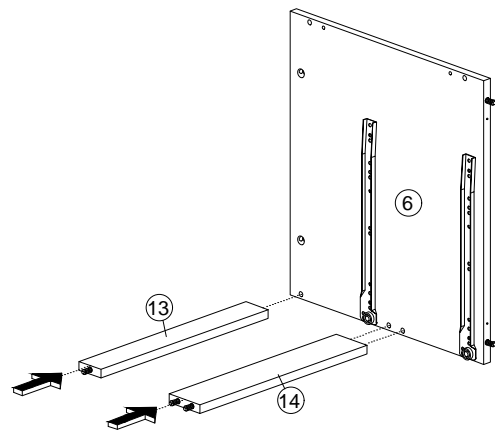
D		M4x45mm Screw	4Pcs
---	-----------------------------------------------------------------------------------	---------------	------



Step 11



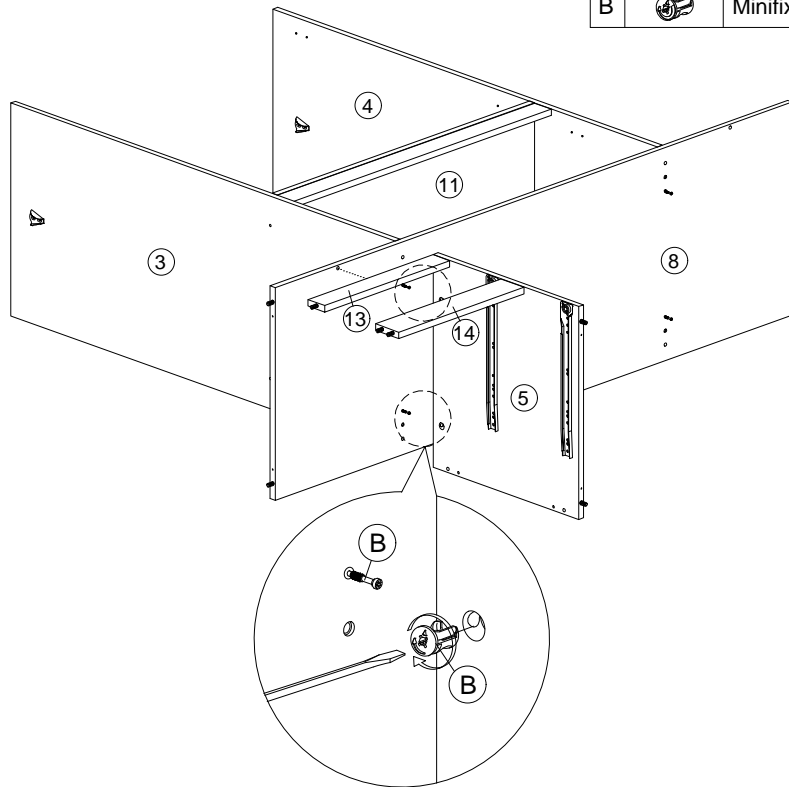
Step 12



Assembly Instruction

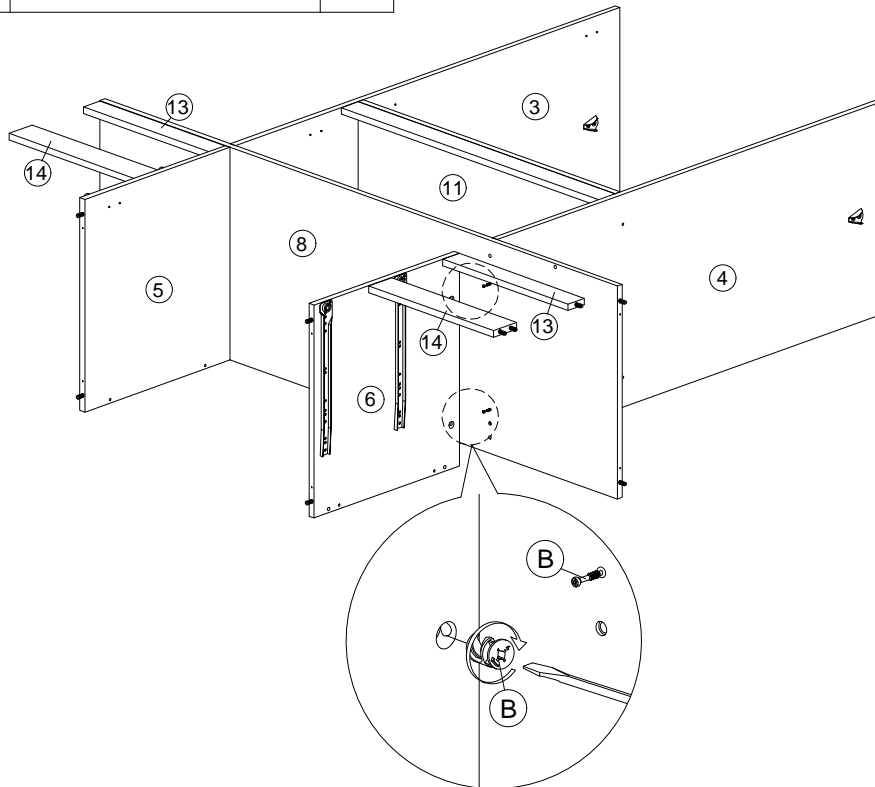
Step 13

B		Minifix	2Pcs
---	-------------------------------------------------------------------------------------	---------	------




Step 14

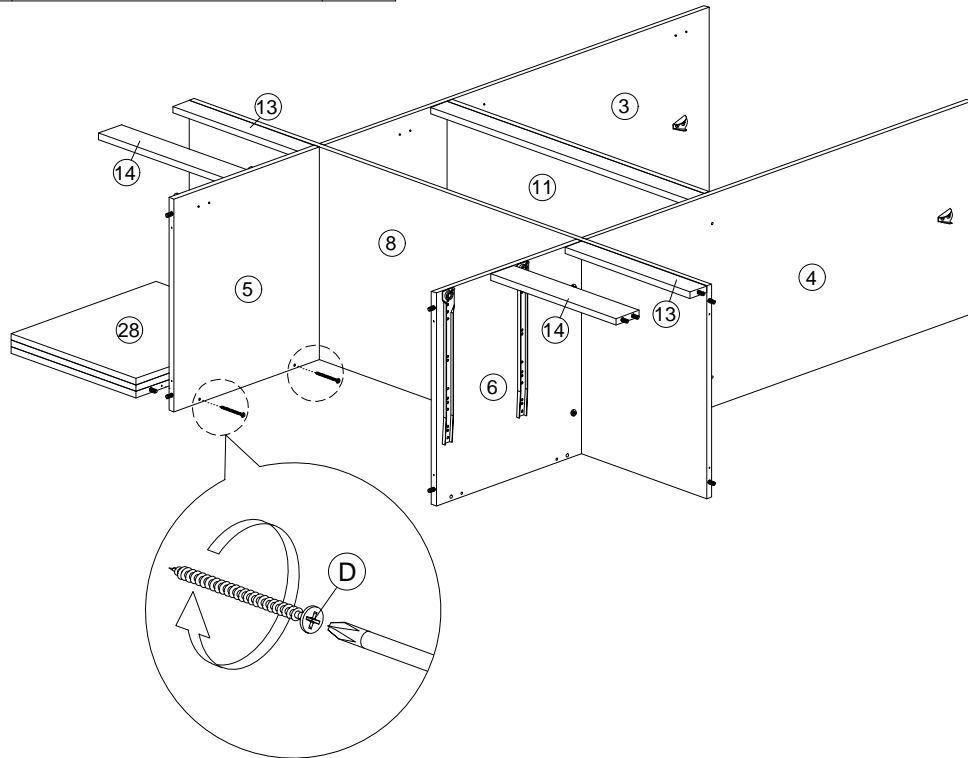
B		Minifix	2Pcs
---	-------------------------------------------------------------------------------------	---------	------




Assembly Instruction

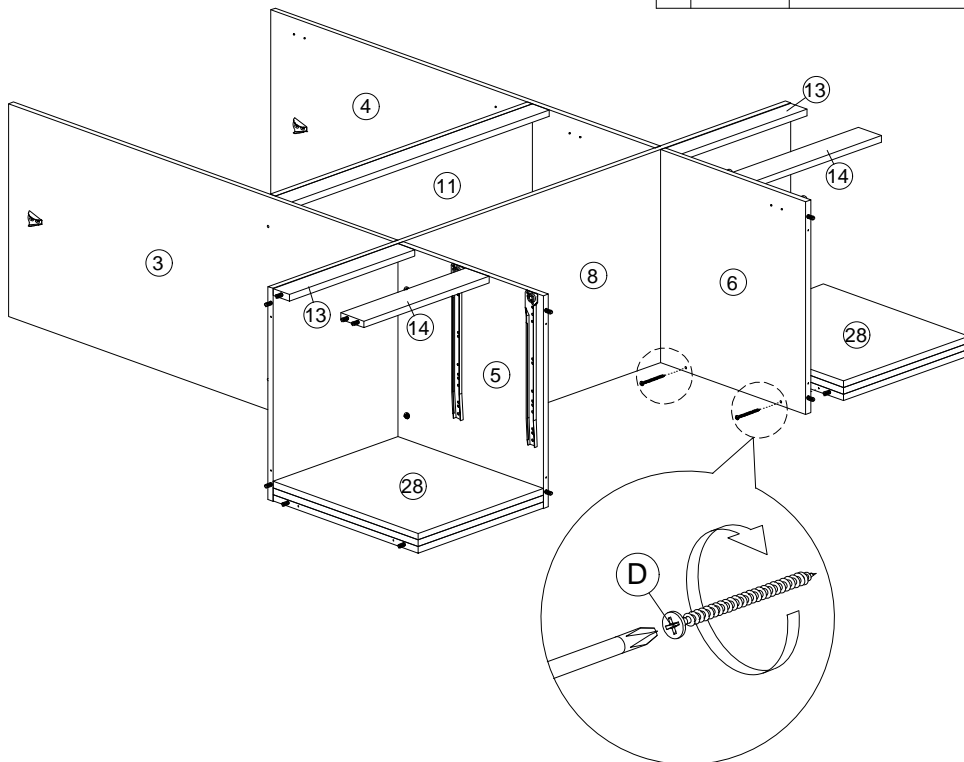
Step 15

D		M4x45mm Screw	2Pcs
---	-----------------------------------------------------------------------------------	---------------	------




Step 16

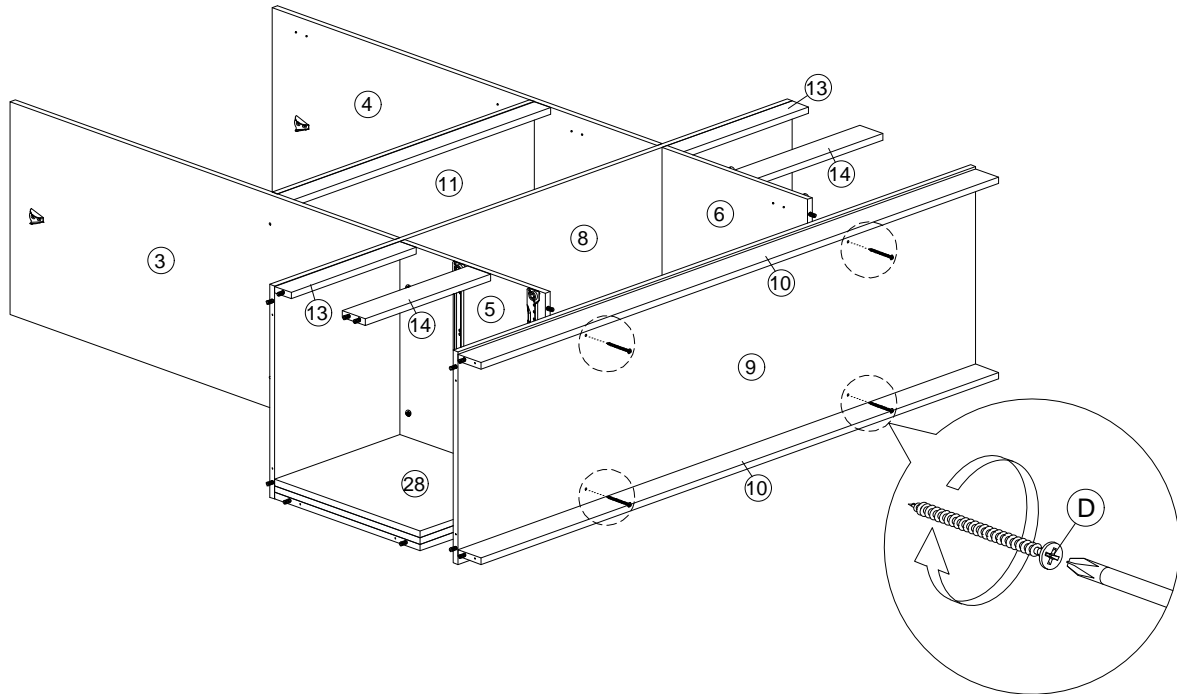
D		M4x45mm Screw	2Pcs
---	---------------------------------------------------------------------------------------	---------------	------




Assembly Instruction

Step 17

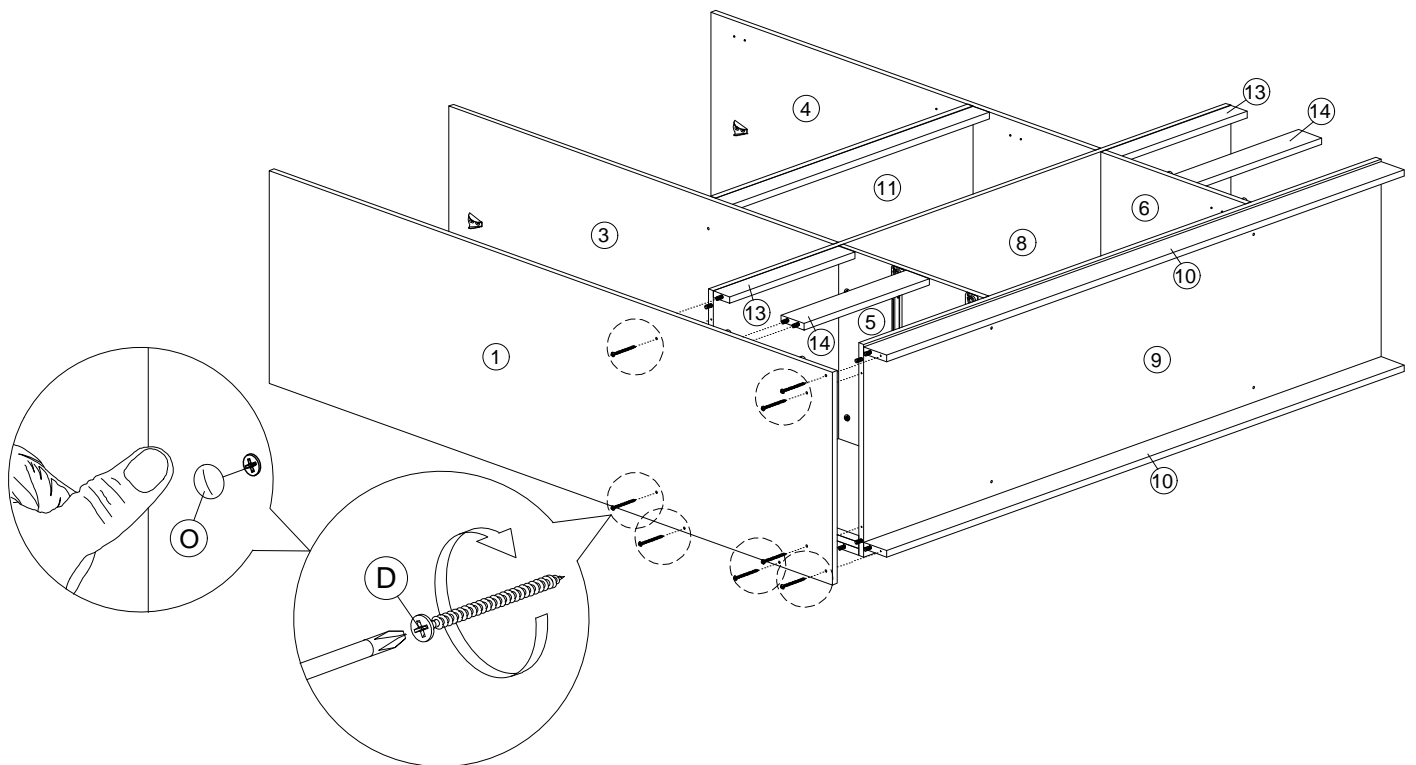
D		M4x45mm Screw	4Pcs
---	-----------------------------------------------------------------------------------	---------------	------



Step 18

D		M4x45mm Screw	8Pcs
---	-------------------------------------------------------------------------------------	---------------	------

O		Sticker	8Pcs
---	-------------------------------------------------------------------------------------	---------	------

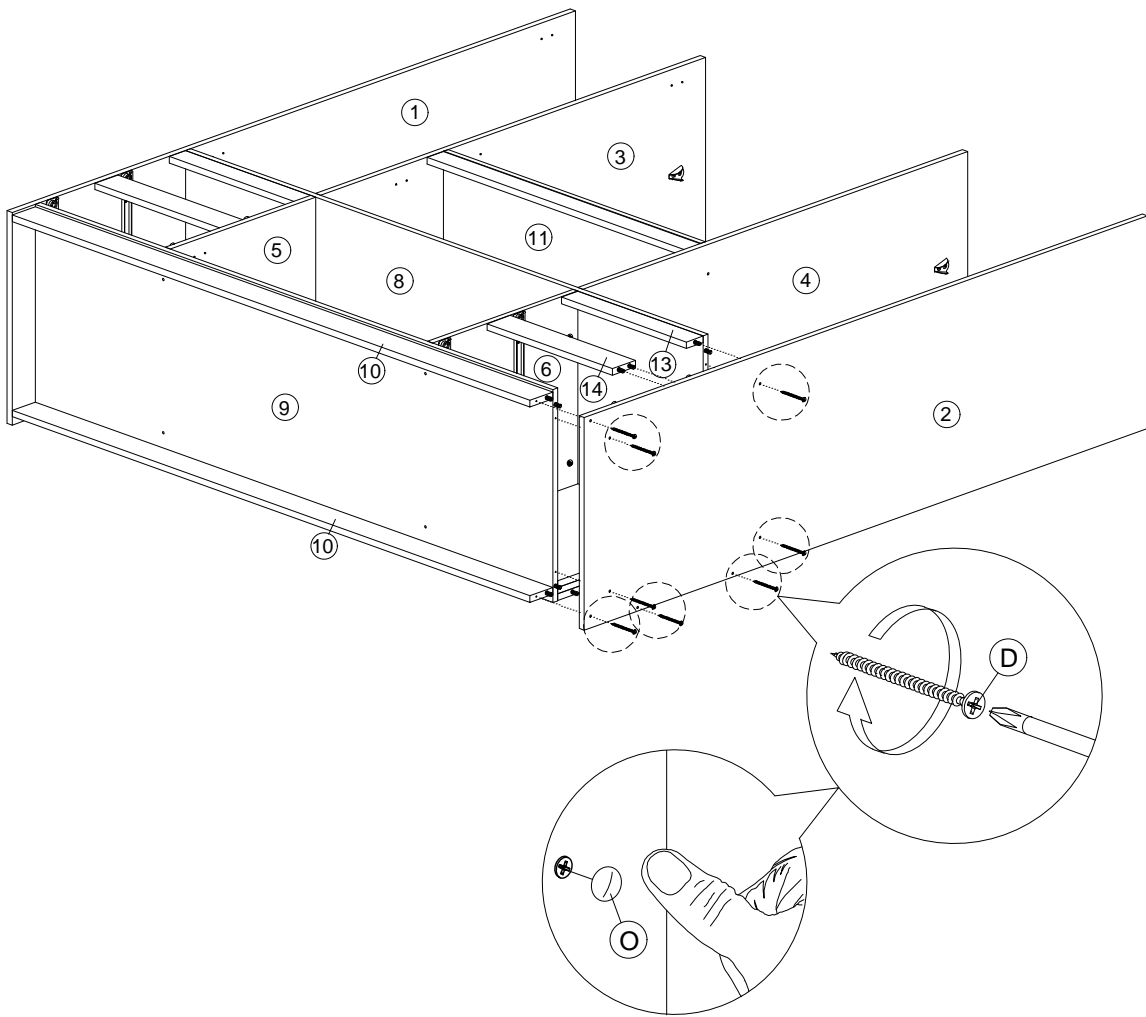


Assembly Instruction

Step 19


D  M4x45mm Screw 8Pcs

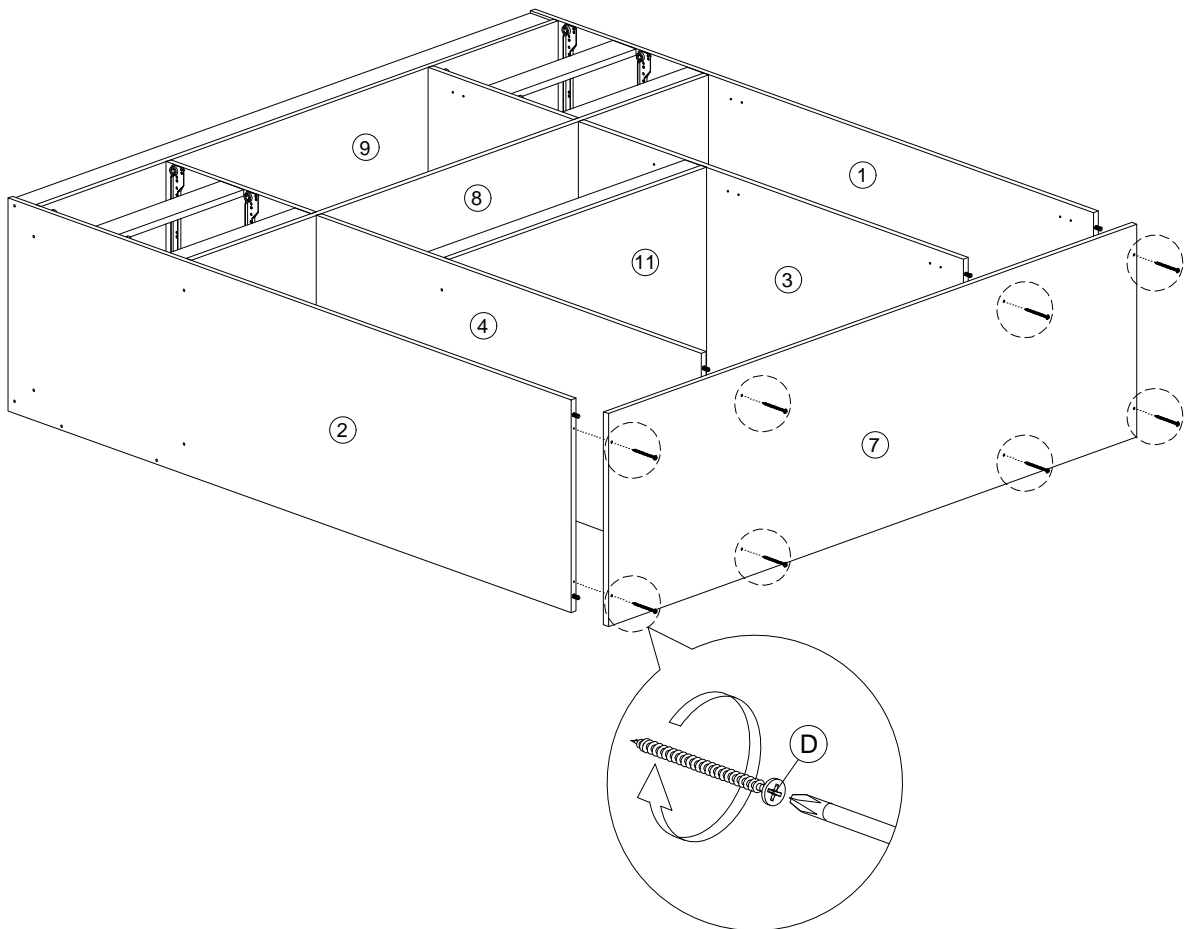
O  Sticker 8Pcs



Assembly Instruction

Step 20

D		M4x45mm Screw	8Pcs
---	-----------------------------------------------------------------------------------	---------------	------

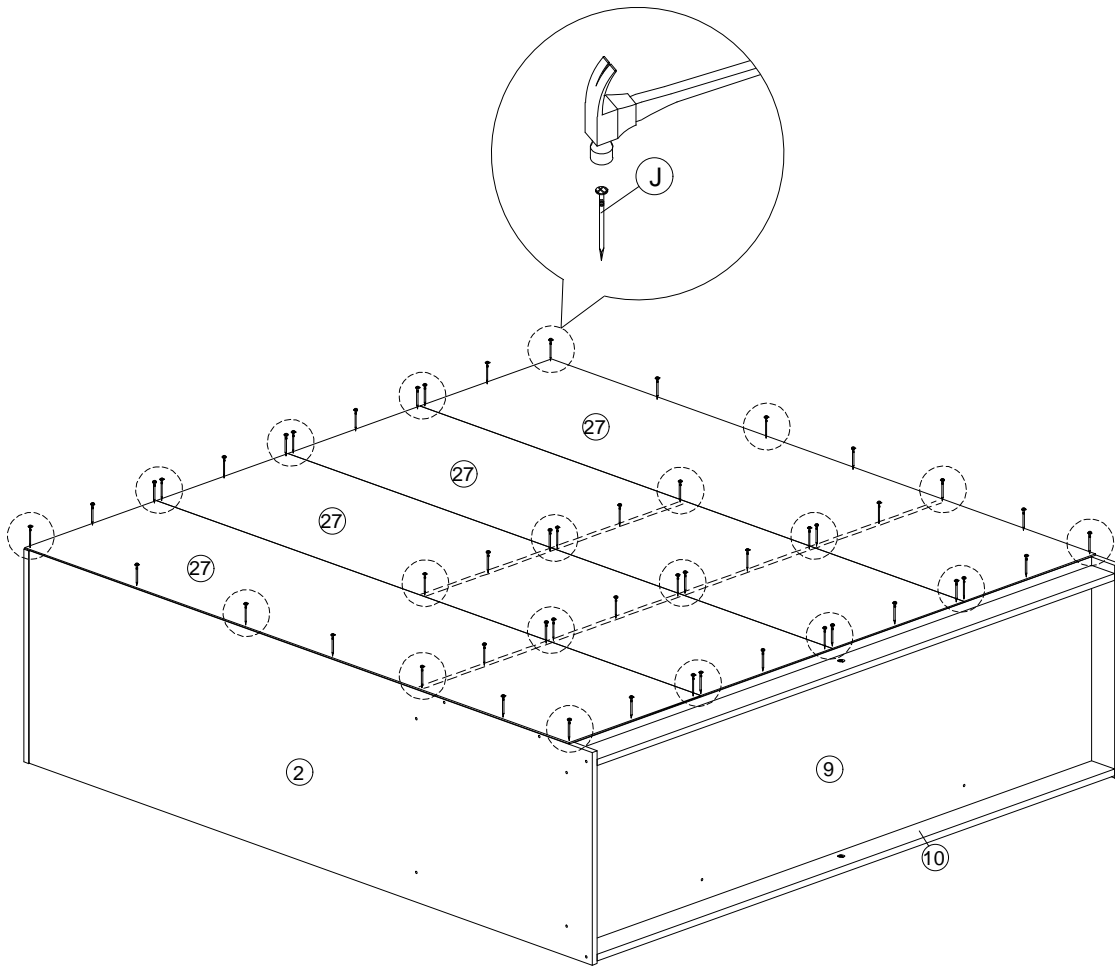


Assembly Instruction

Step 21

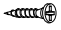
J		6/8 Power Pin	60Pcs
---	-----------------------------------------------------------------------------------	---------------	-------

* Flip to the back view

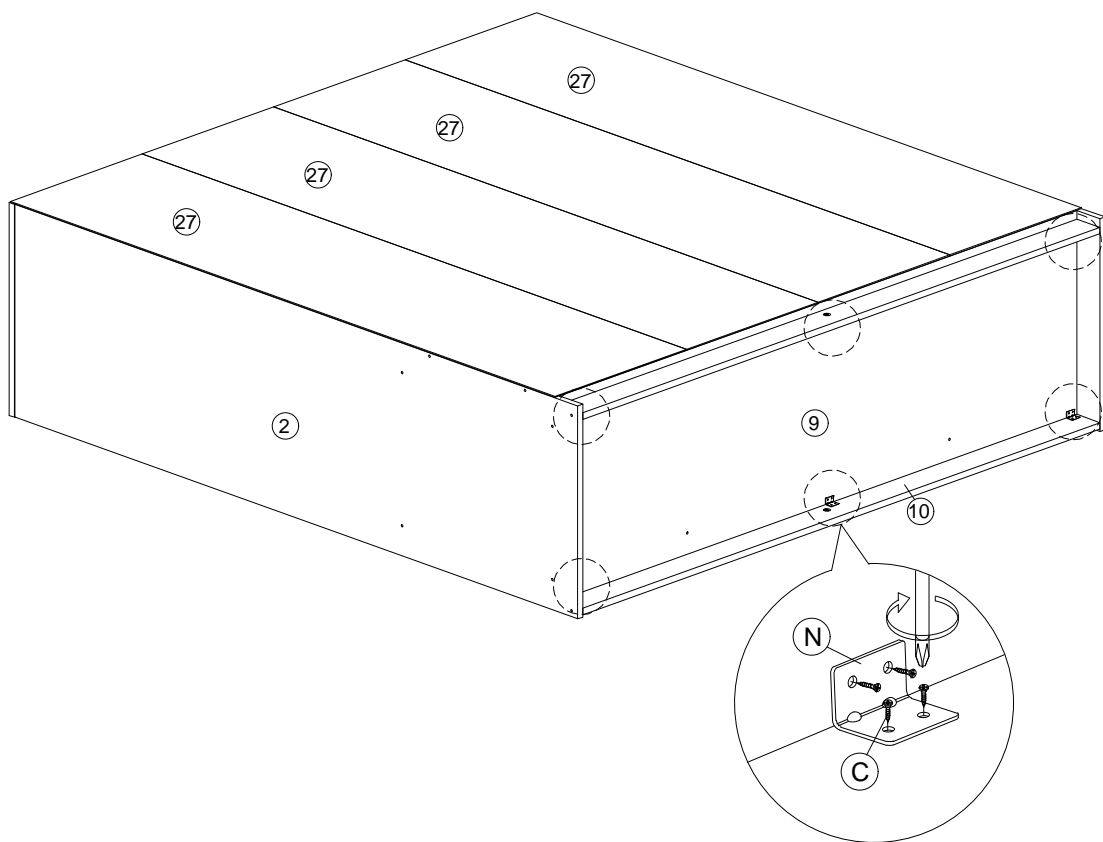


Assembly Instruction

Step 22

C		M3.5x16mm Screw	24Pcs
---	-----------------------------------------------------------------------------------	-----------------	-------

N		L Bracket	6Pcs
---	-----------------------------------------------------------------------------------	-----------	------



Assembly Instruction

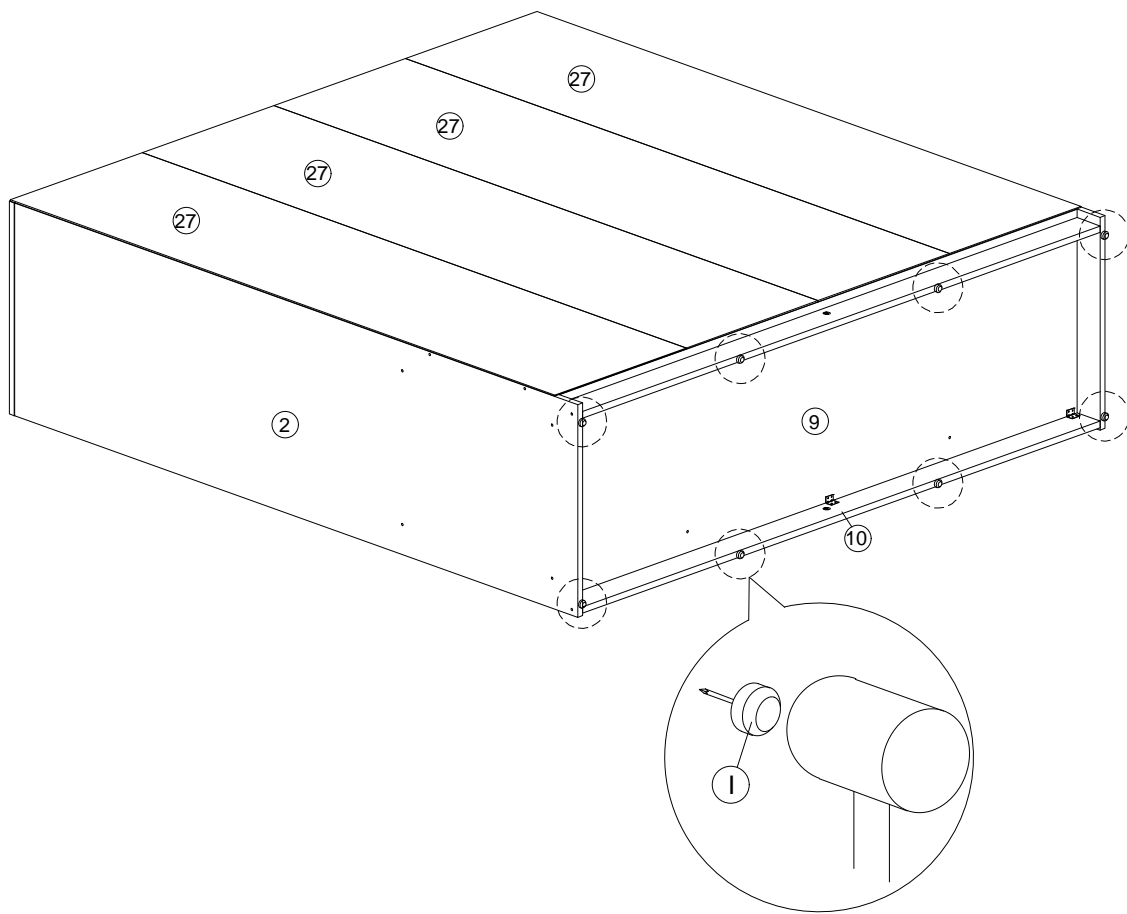
Step 23

1



5/8 Nail With Pin

8Pcs

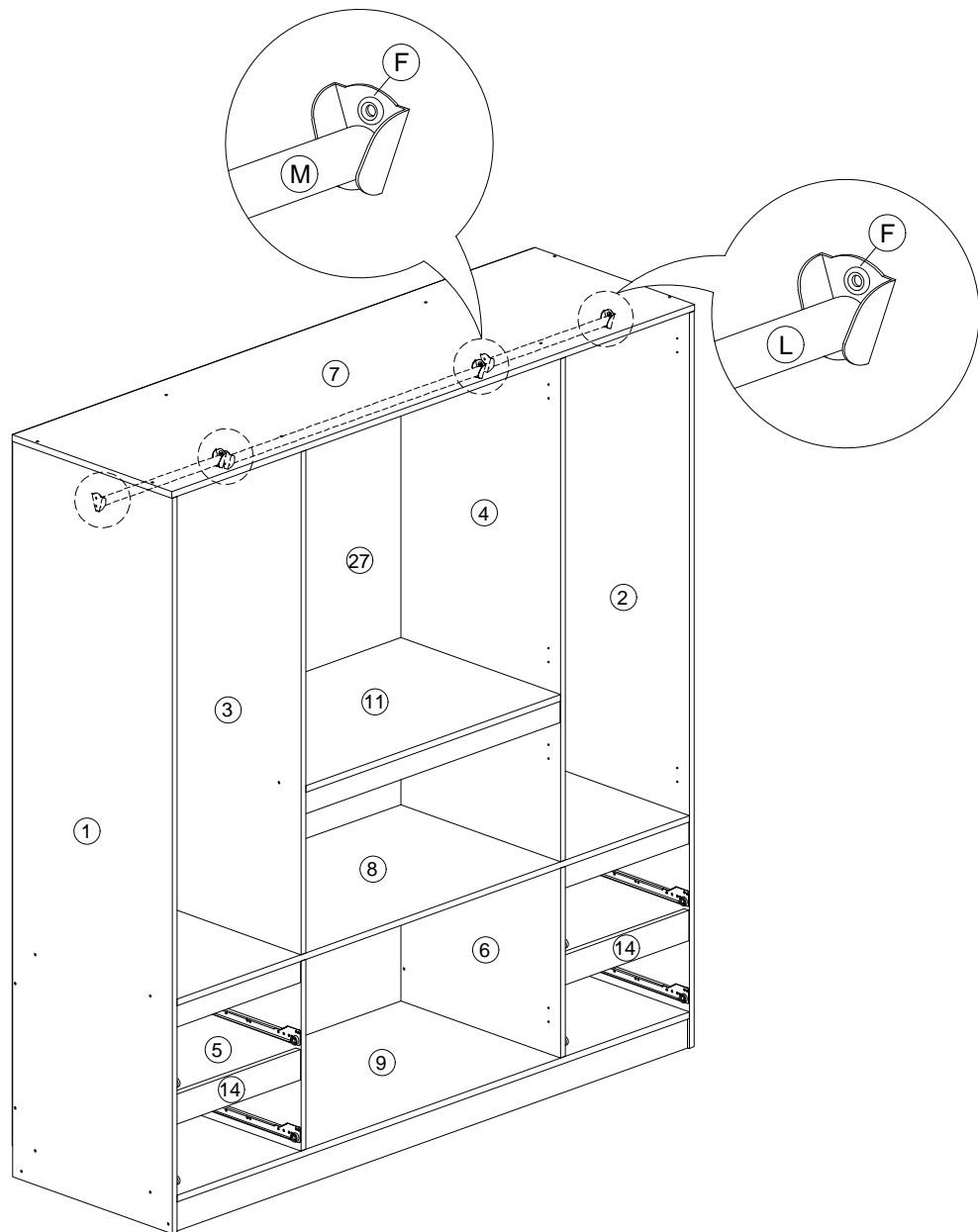


Assembly Instruction

Step 24

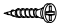
L  Aluminium Pipe 372mm 2Pcs

M  Aluminium Pipe 772mm 1Pc

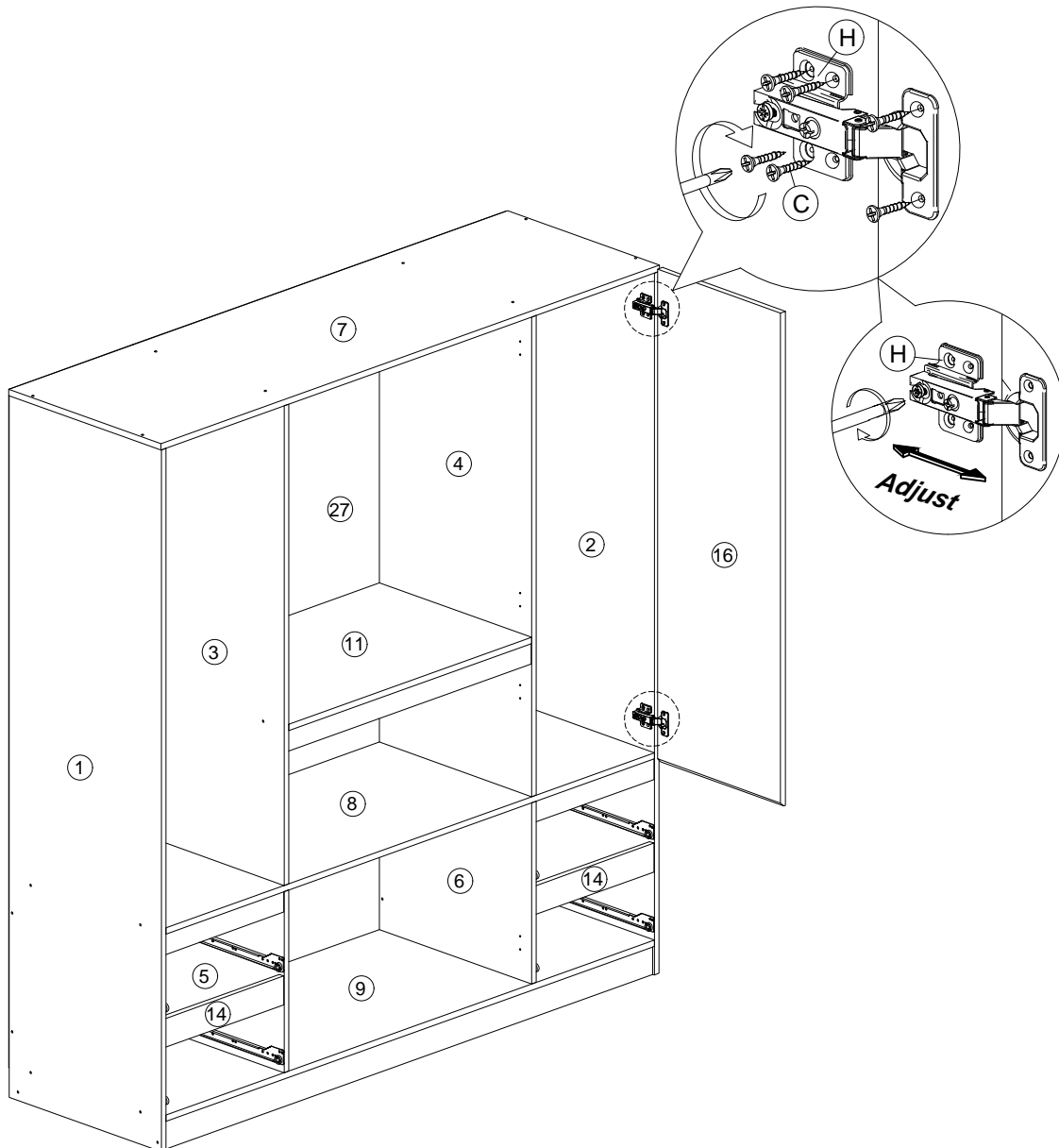


Assembly Instruction

Step 25

C  M3.5x16mm Screw 12Pcs

H  Hinges 5/8 2Pcs



Assembly Instruction

Step 26

C



M3.5x16mm Screw

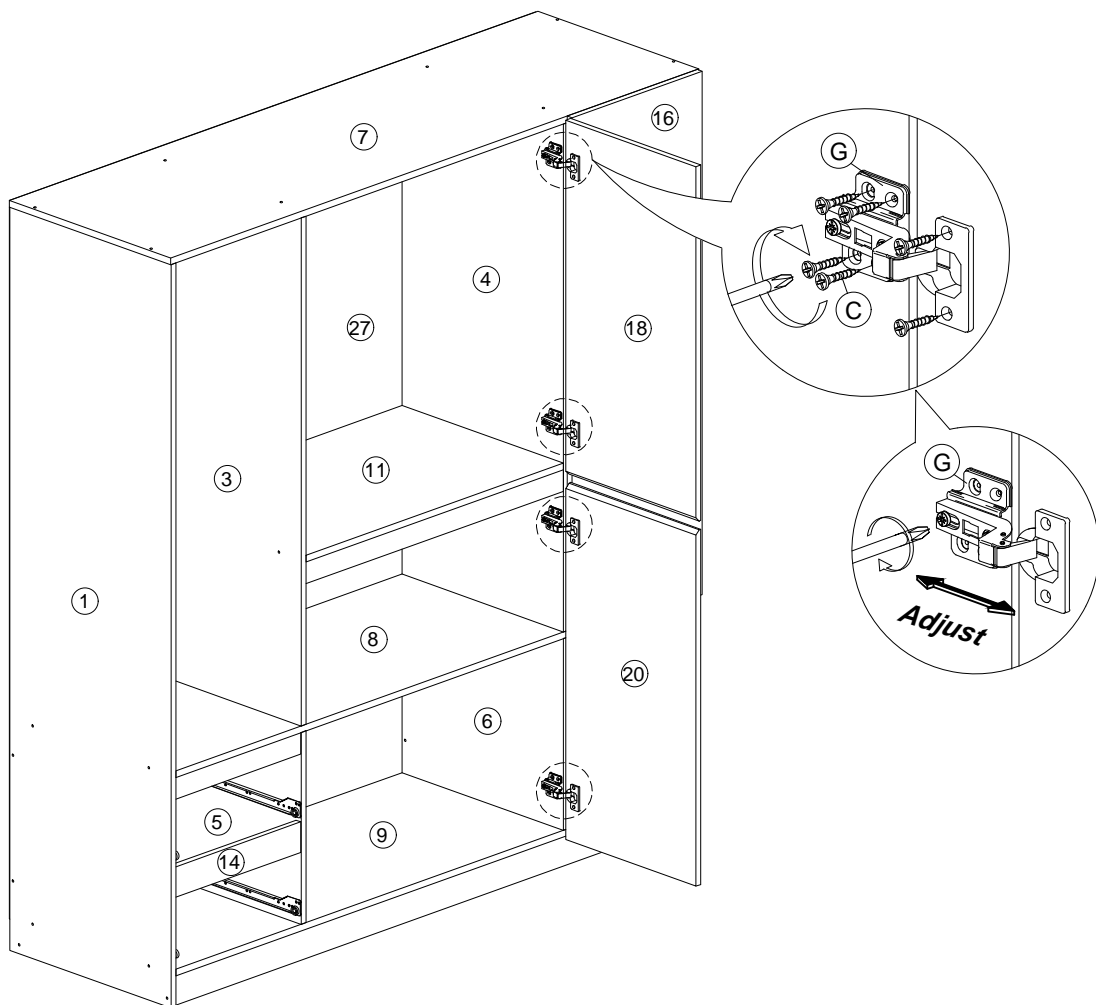
24Pcs

G



Hinges 2/8

4Pcs



Assembly Instruction

Step 27

C



M3.5x16mm Screw

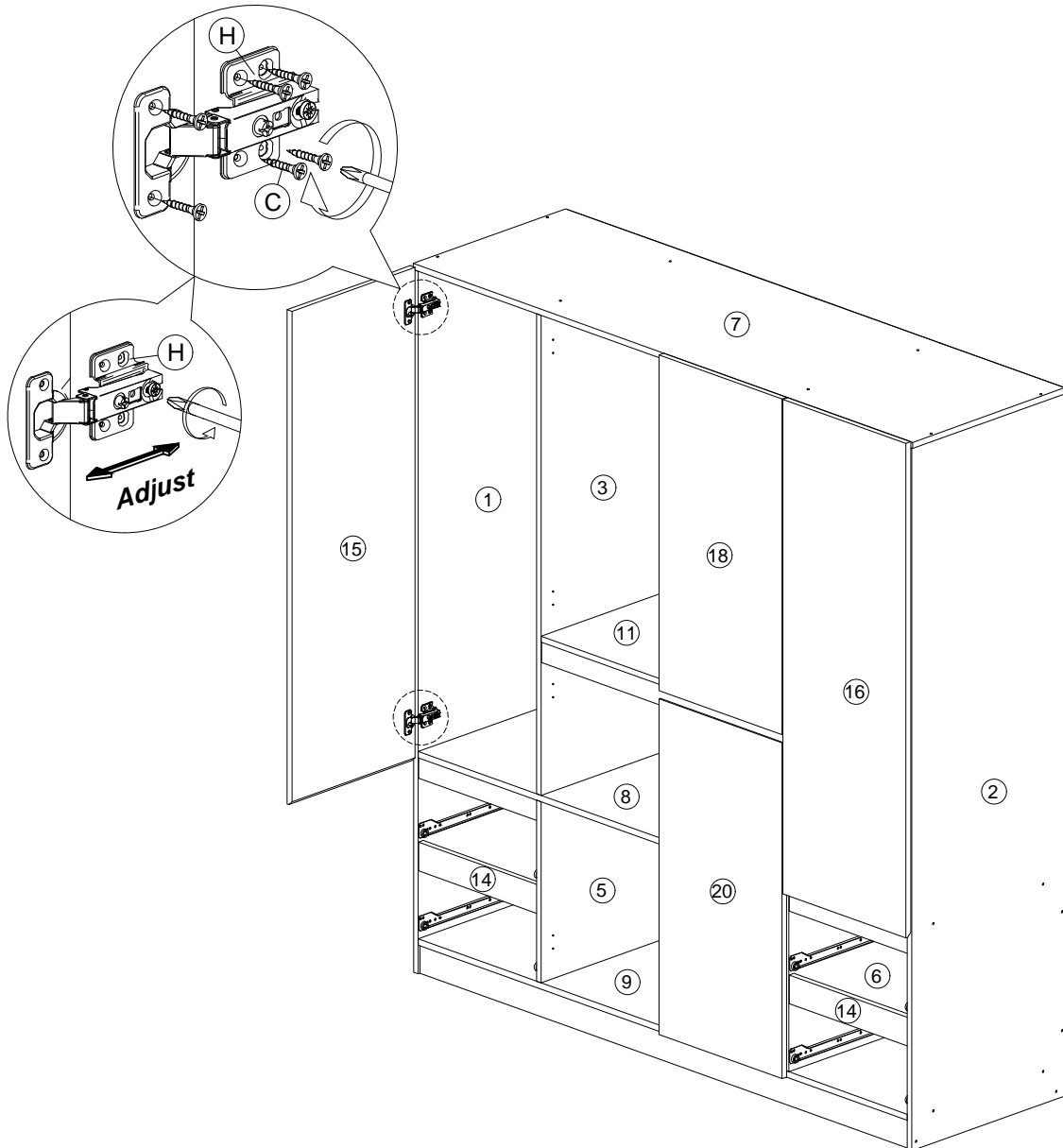
12Pcs

H




Hinges 5/8


2Pcs

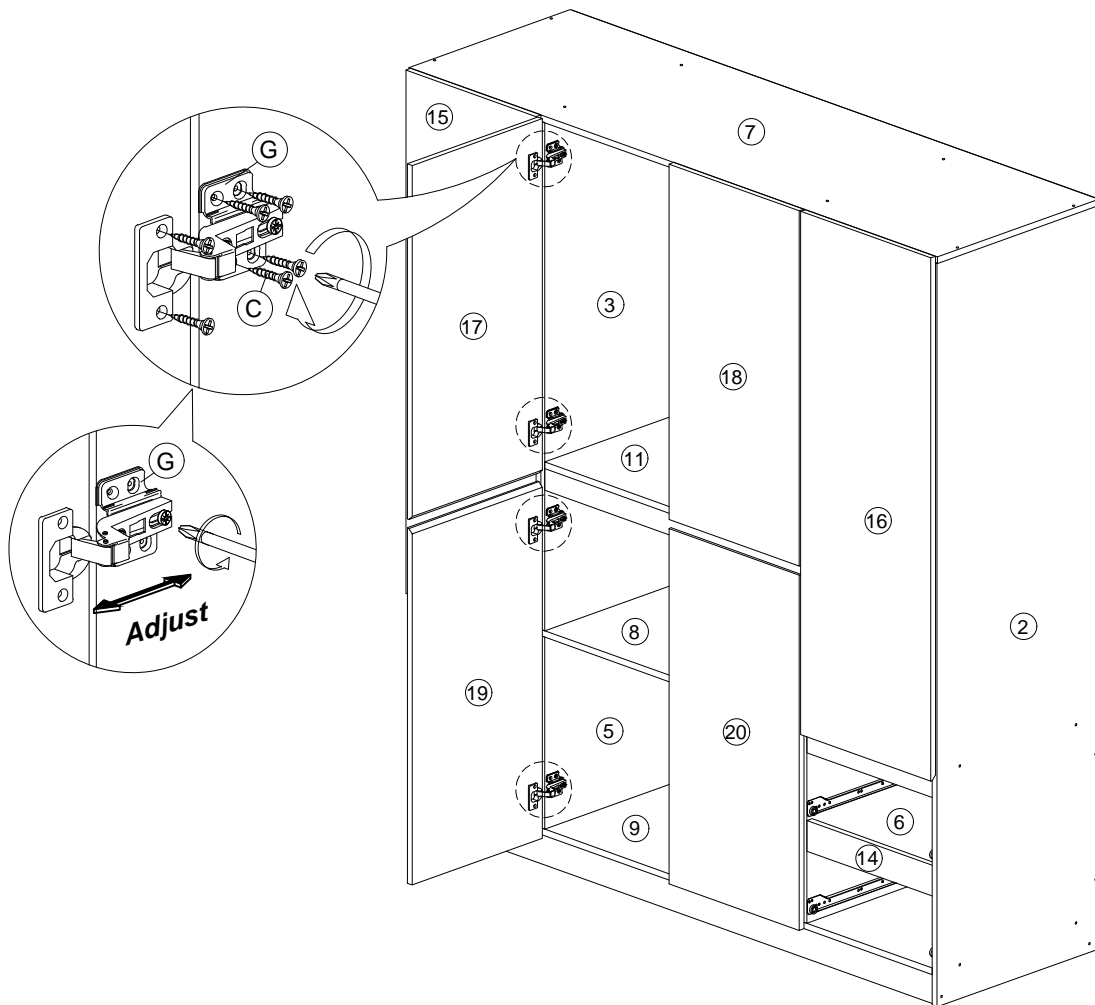


Assembly Instruction


Step 28

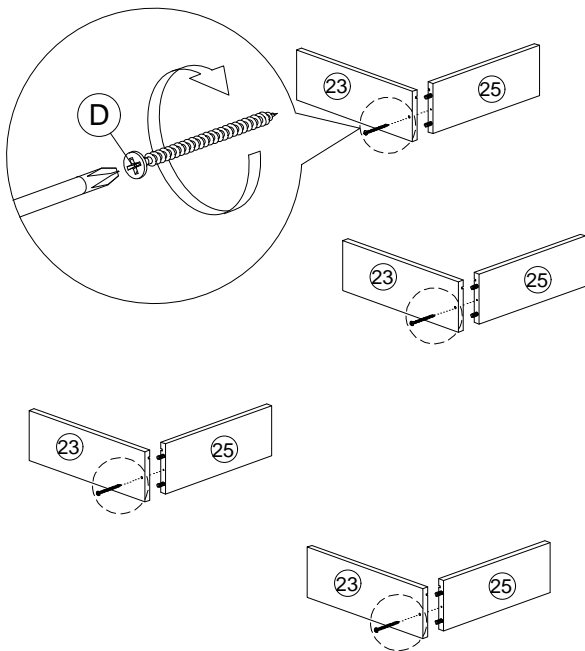
C  M3.5x16mm Screw 24Pcs


G  Hinges 2/8 4Pcs

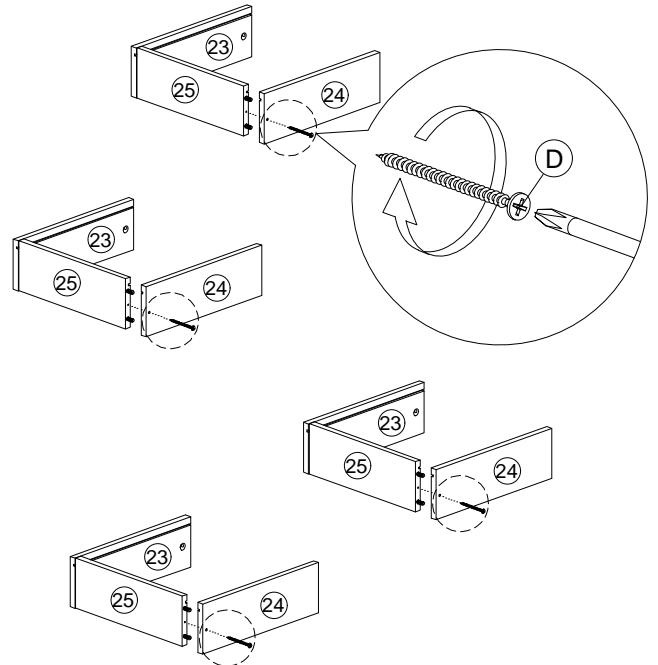


Assembly Instruction

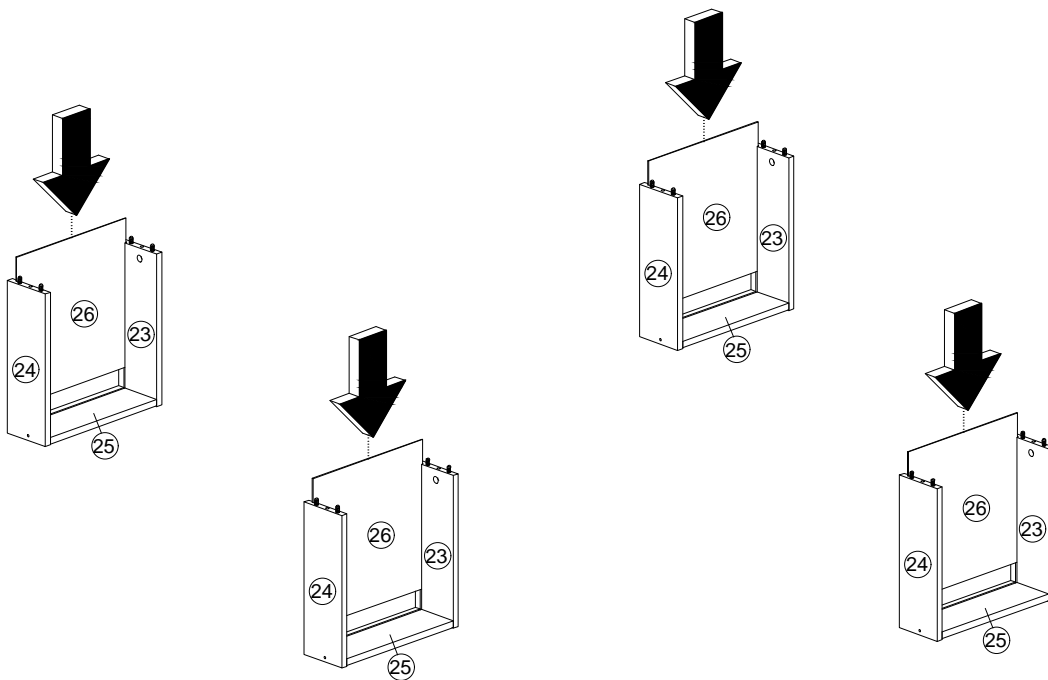
Step 29  M4x45mm Screw 4Pcs



Step 30  M4x45mm Screw 4Pcs



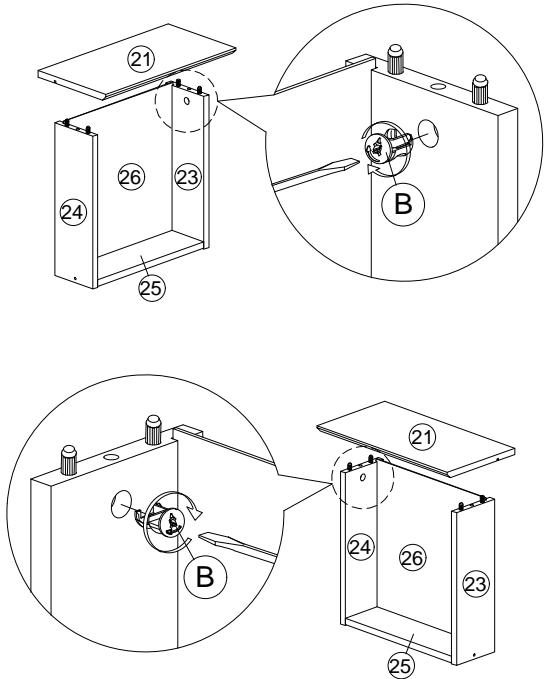
Step 31



Assembly Instruction

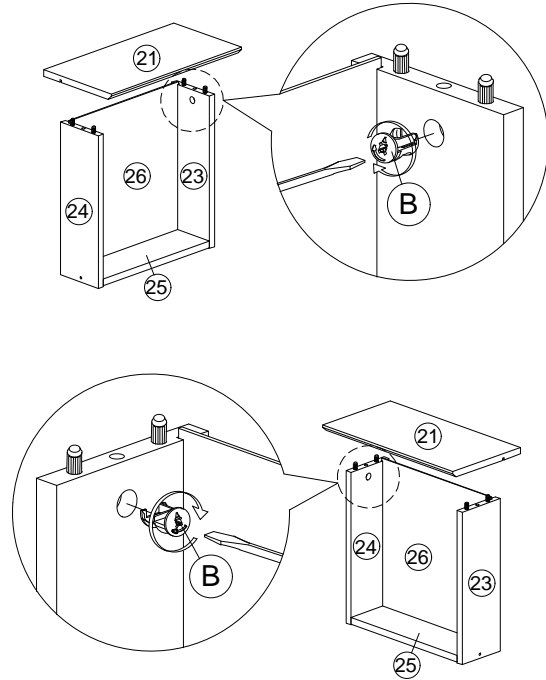
Step 32

B		Minifix	2Pcs
---	-----------------------------------------------------------------------------------	---------	------



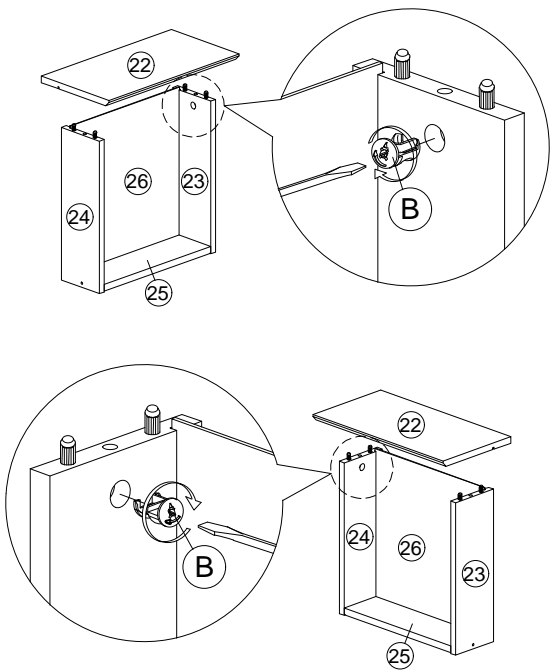
Step 33

B		Minifix	2Pcs
---	-------------------------------------------------------------------------------------	---------	------



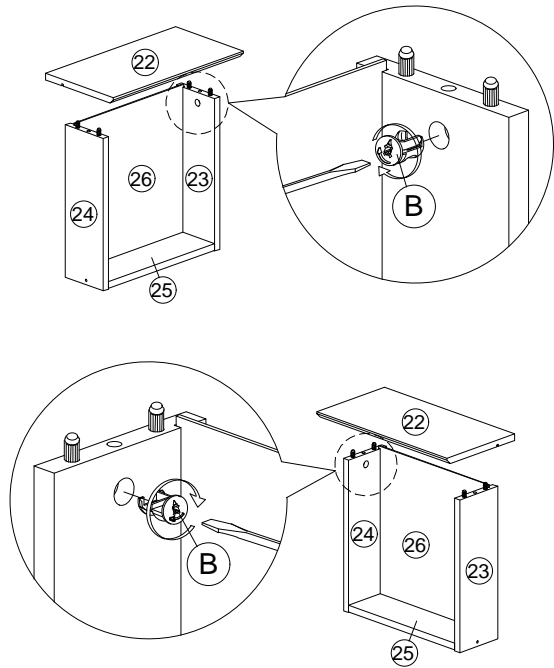
Step 34

B		Minifix	2Pcs
---	-------------------------------------------------------------------------------------	---------	------





Step 35

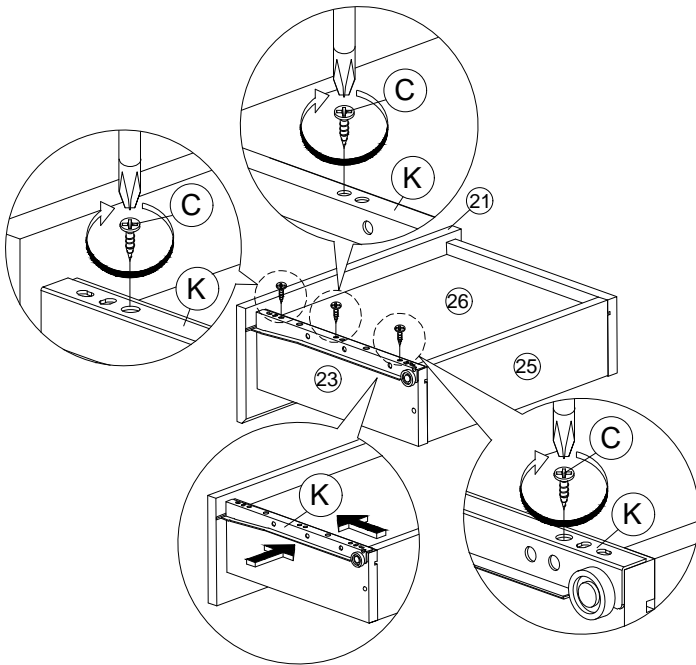
B		Minifix	2Pcs
---	---------------------------------------------------------------------------------------	---------	------





Assembly Instruction

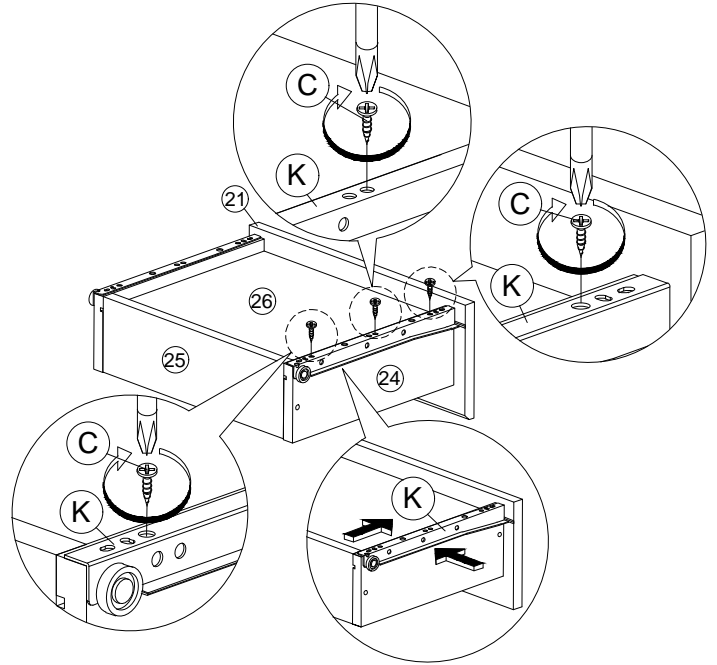
Step 36

C		M3.5x16mm Screw	3Pcs
K		Drawer Slide 350mm- L	1Pc





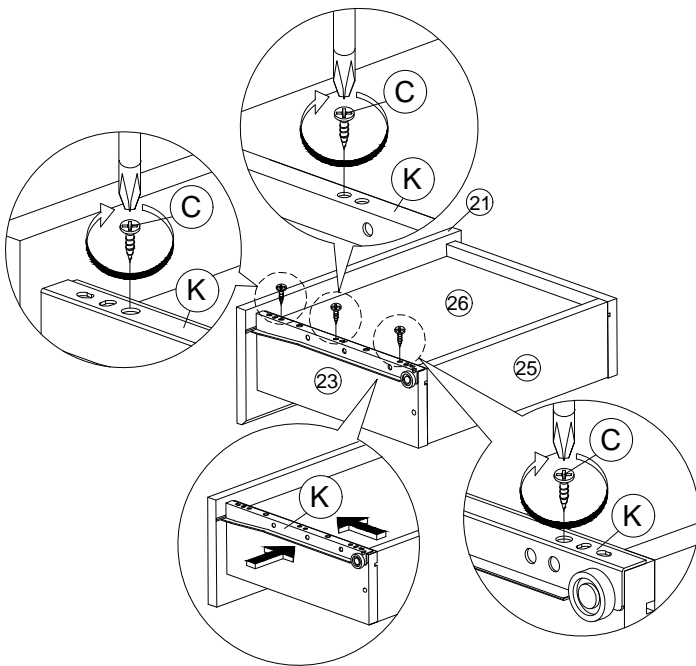
Step 37

C		M3.5x16mm Screw	3Pcs
K		Drawer Slide 350mm- R	1Pc





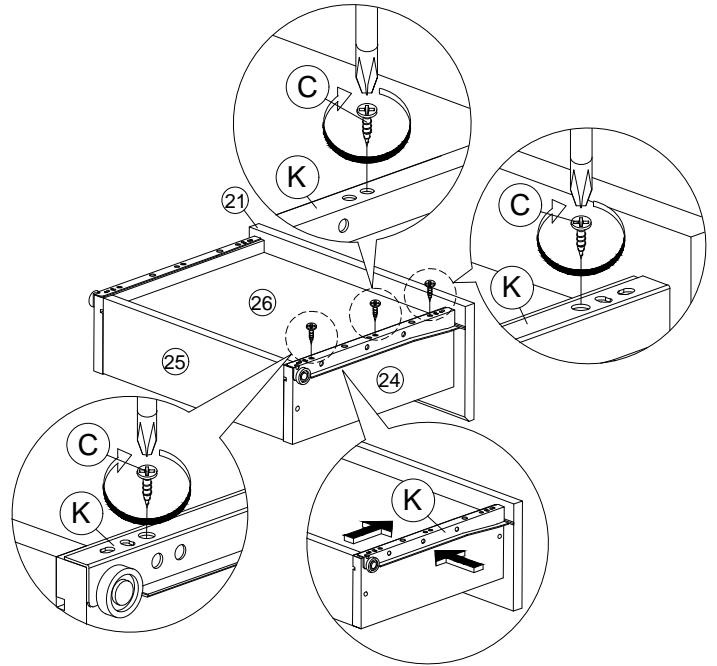
Step 38

C		M3.5x16mm Screw	3Pcs
K		Drawer Slide 350mm- L	1Pc



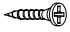

Step 39

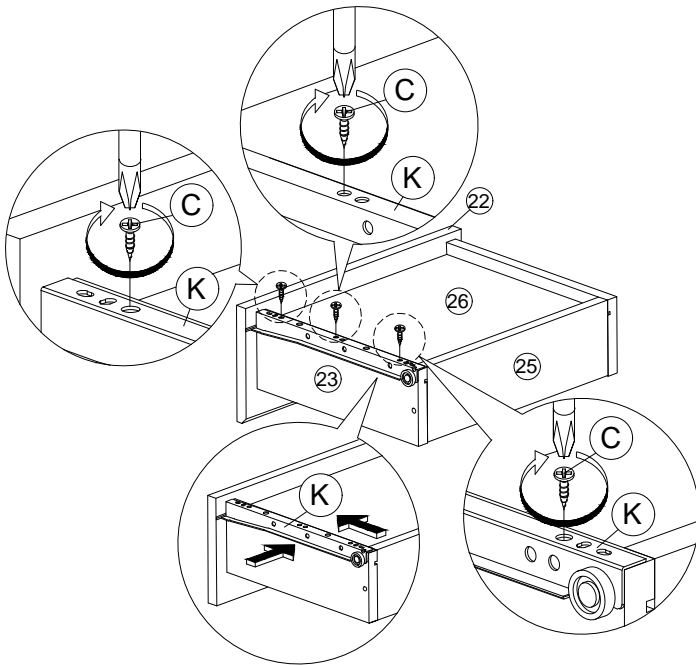
C		M3.5x16mm Screw	3Pcs
K		Drawer Slide 350mm- R	1Pc



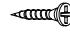

Assembly Instruction

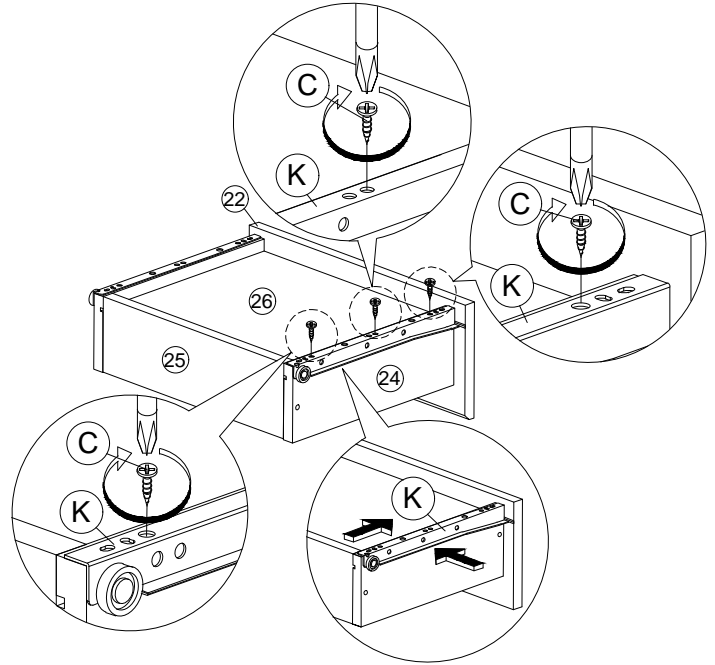
Step 40

C		M3.5x16mm Screw	3Pcs
K		Drawer Slide 350mm- L	1Pc

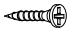



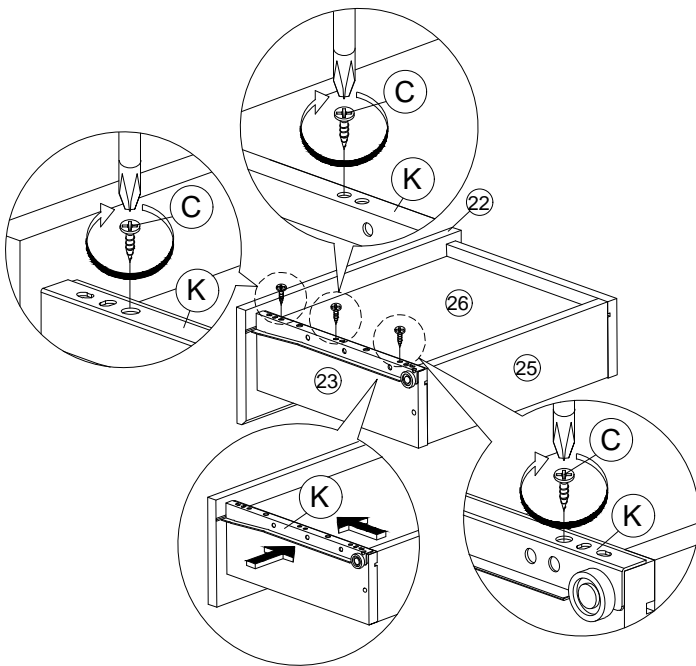
Step 41

C		M3.5x16mm Screw	3Pcs
K		Drawer Slide 350mm- R	1Pc

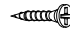



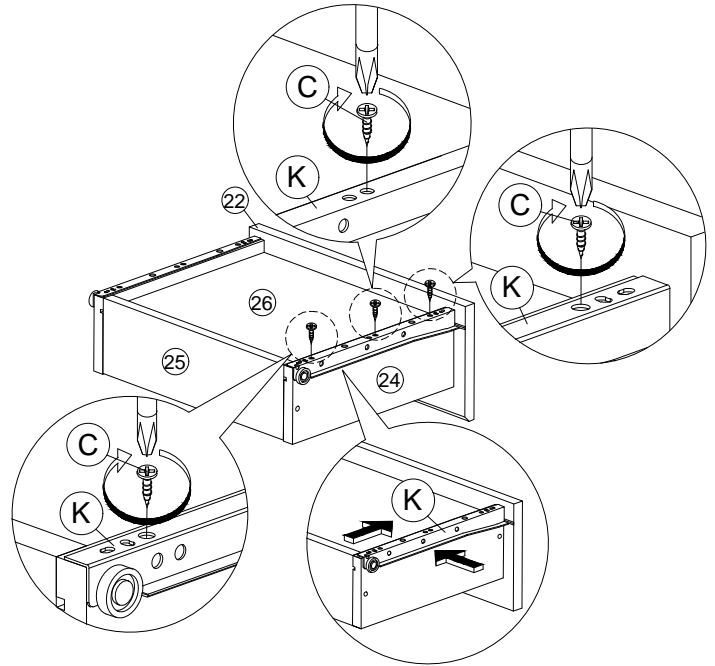
Step 42

C		M3.5x16mm Screw	3Pcs
K		Drawer Slide 350mm- L	1Pc



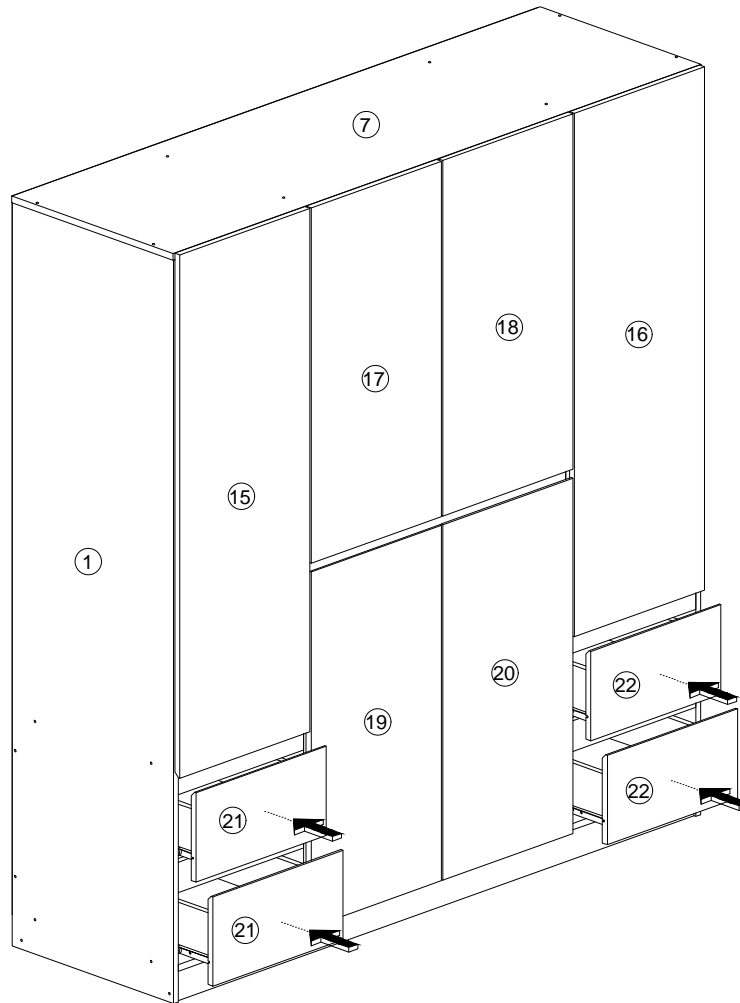
Step 43

C		M3.5x16mm Screw	3Pcs
K		Drawer Slide 350mm- R	1Pc



Assembly Instruction

Step 44



FITTING OF ANTI-TIP SAFETY STRAP

STEP 1:

- Attach the mounting bracket (a) to the furniture in the solid part below the top panel a few inches away from the side of the unit.
- Screw (b) through the smallest hole of (a).

STEP 2:

- Locate a stud in behind the have to
- Place the other mounting bracket (a) on the wall stud 2 inches below the mounting bracket secured to the back of your unit.
- Attach to the wall stud using (c) through the smaller hole of (a).

STEP 3:

- Repeat the same step a few inches away from the other side of the unit.
- Place the furniture into position so both mounting brackets are vertically in line.
- Lace the end of the restraint strap through the larger holes in each mounting bracket.
- Secure the straps and lock into place.

