

# Owner Manual



10 : 00

---

estimated assembly



2 or more

---

people required

Ok, let's  
get started!



- Put on mood music!
- To prevent damage to product, use the clean side of package carton or rug as working surface.
- In the event of missing or damaged parts, delivery problems etc., please reach out to our team.  
We will be happy to fix the problem!

# care guide

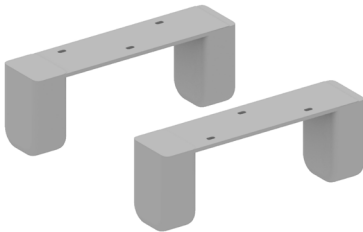
- Clean regularly with a soft and dry cloth.
- To protect finish, avoid use of abrasive cleaners.
- Wipe up spills immediately. Please!



# product parts



(A)  
Nightstand Box  
x1

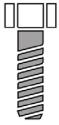


(B1,B2)  
Legs  
x2



(C)  
Knobs  
x2

# what's included



(D)- Bolts  
(30x6mm)  
x6



(E)- Washer  
(16x6mm)  
x6



(F)- Ball Allen Key  
(4mm)  
x1



(G)- Bolt  
(35x4mm)  
x2



(H)- Lock Washer  
(12x6mm)  
x6

## assembly instructions

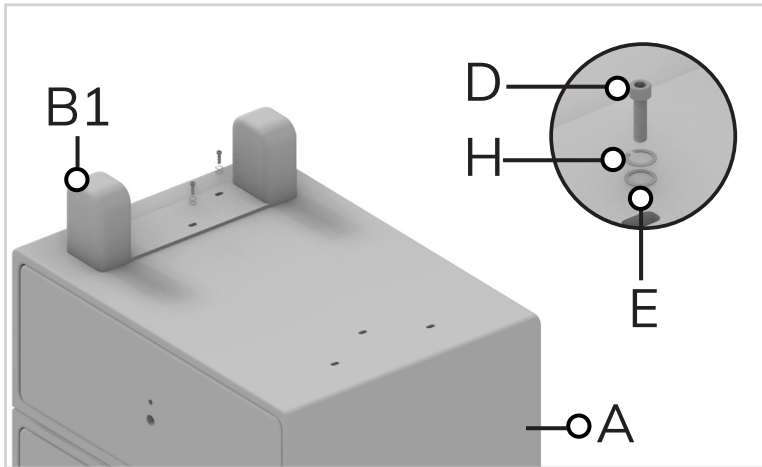
Friendly Tip: Take a deep breath going in. This may be a tricky part, but nothing too overwhelming. Just follow these steps to the T and the outcome will be worth it!



- ⓘ While assembling the product, tighten the bolts up to 50%. Once all parts are in place, only then fully tighten the bolts.

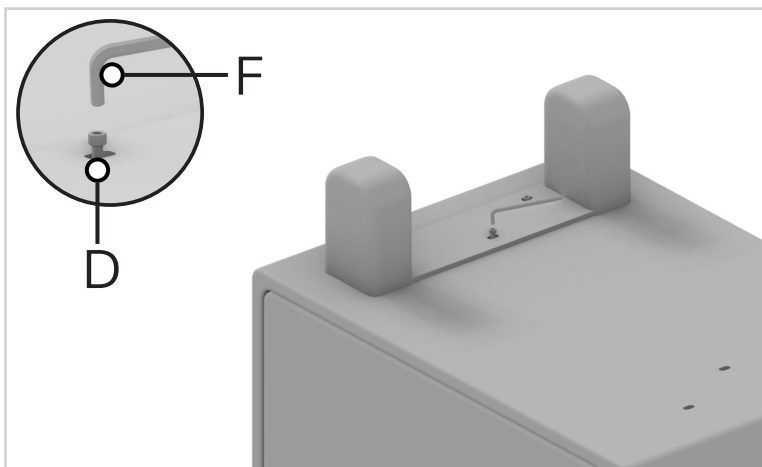
## step 1:

Start by placing the nightstand box (A) upside down on a flat surface. Now, align the leg (B1) with the slots given in the table top (A). Use the image below as reference.



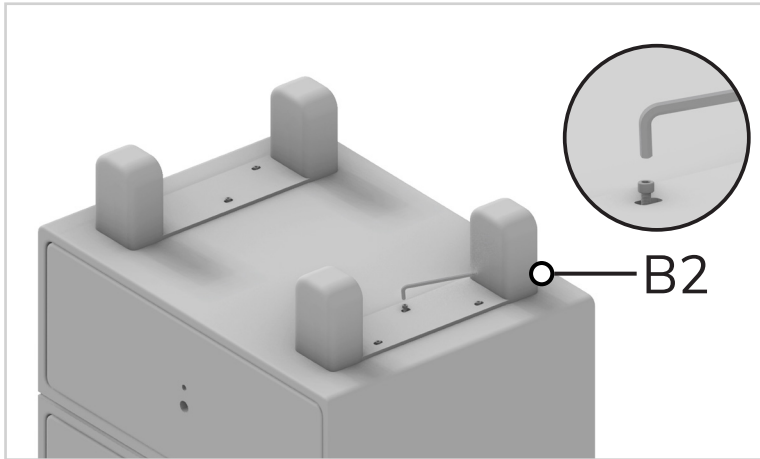
## step 2:

Fix the leg to the nightstand box by using plain washer (E), lock washer (H) & bolt (D) in the given slots. Tighten them using an allen key (F).



step 3:

Repeat step 2 with the other leg (B2).



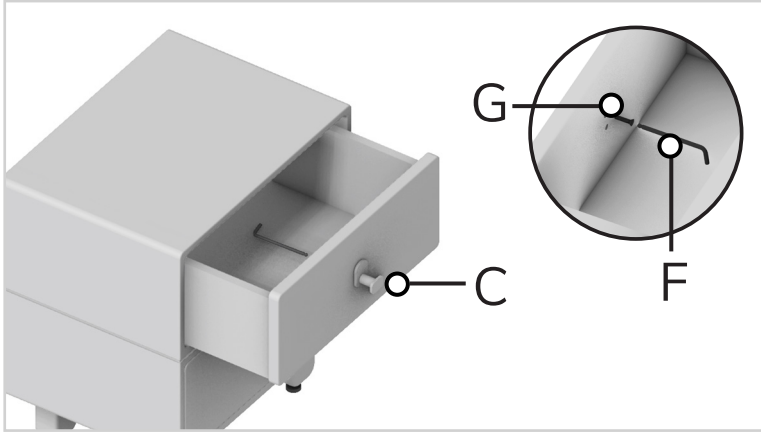
step 4:

Now, pull on the ribbon to open the drawers.



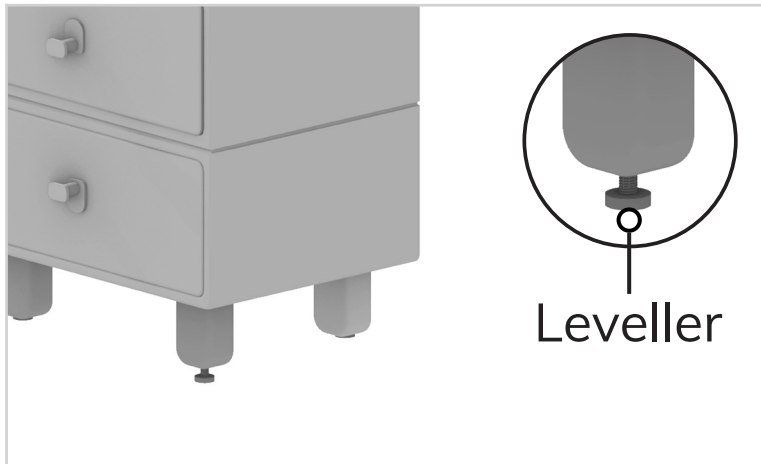
## step 5:

Pull the top drawer out. Then place the knob (C) at the front & align with the slot outside. Fix it in place from the inside by using bolts (G) & tighten them using an allen key (F). Repeat the same step with the bottom drawer.



## step 6:

If required, adjust the levellers according to the floor.



---

**Voila! Your nightstand is now assembled and secure!**