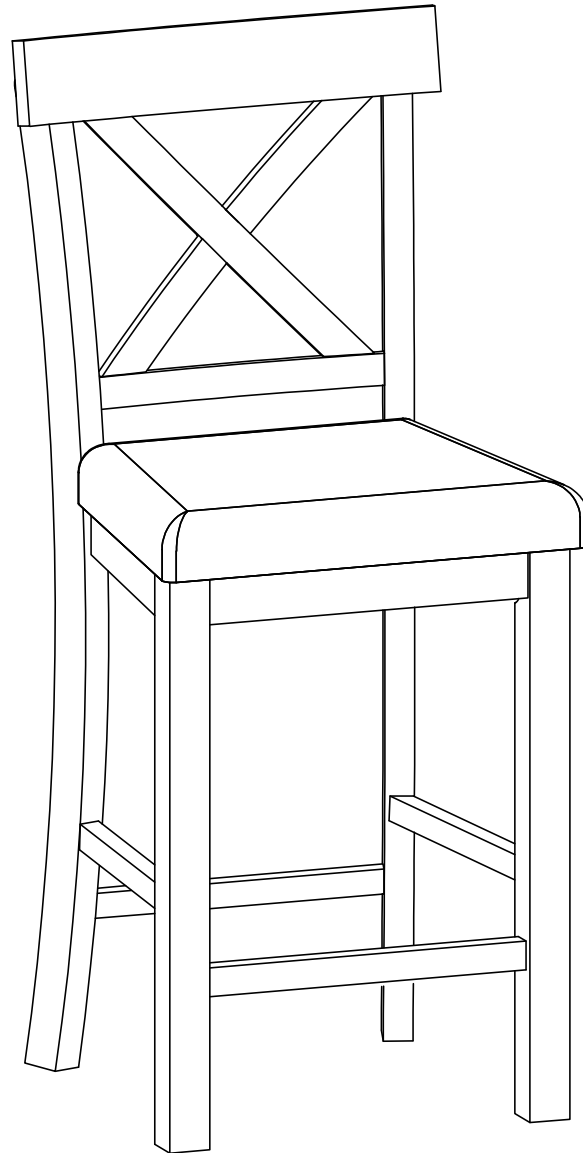


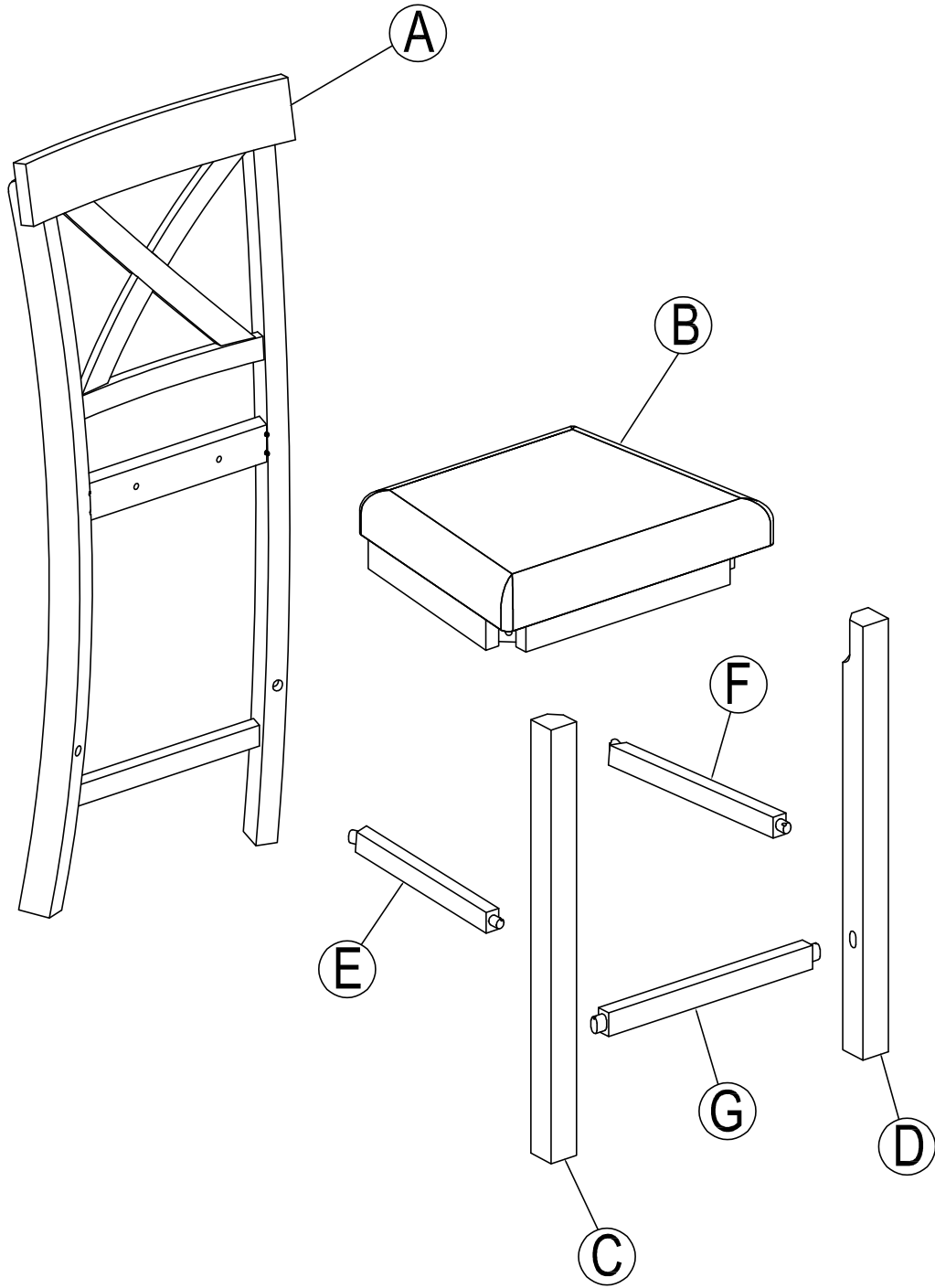
ASSEMBLY INSTRUCTION

ITEM NO.N715P423005



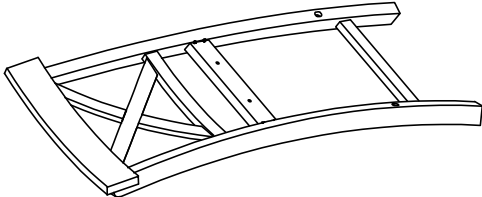
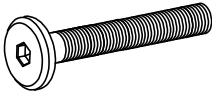
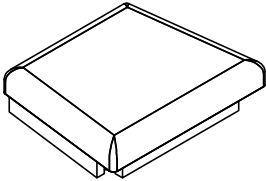
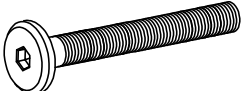
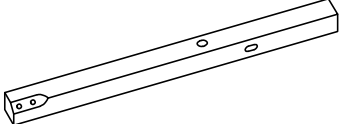
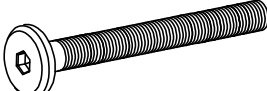
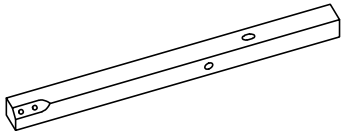

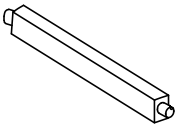
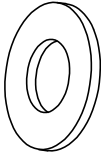
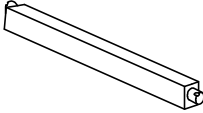

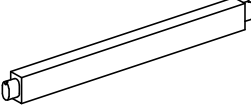

IMPORTANT NOTE :

- ① PLACE ALL PARTS ON A CLEAN AND SMOOTH SURFACE SUCH AS A RUG OR CARPET TO AVOID THE PARTS FROM BEING SCRATCHED.
- ② BEFORE YOU BEGIN,KINDLY FOLLOW THE ASSEMBLY INSTRUCTIONS STEP BY STEP.
- ③ DO NOT TIGHTEN ALL SCREWS AND BOLTS UNTIL THE CHAIR IS FULLY SET-UP.

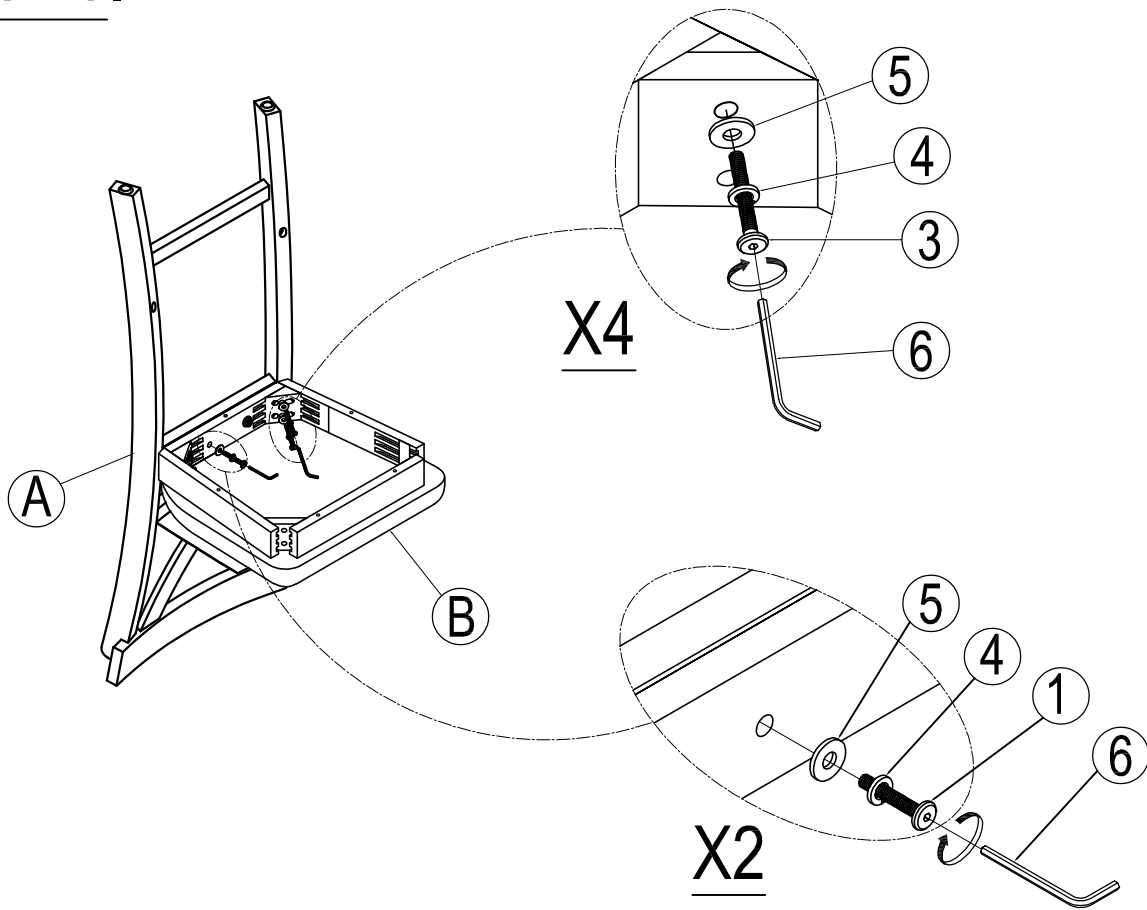


Part List

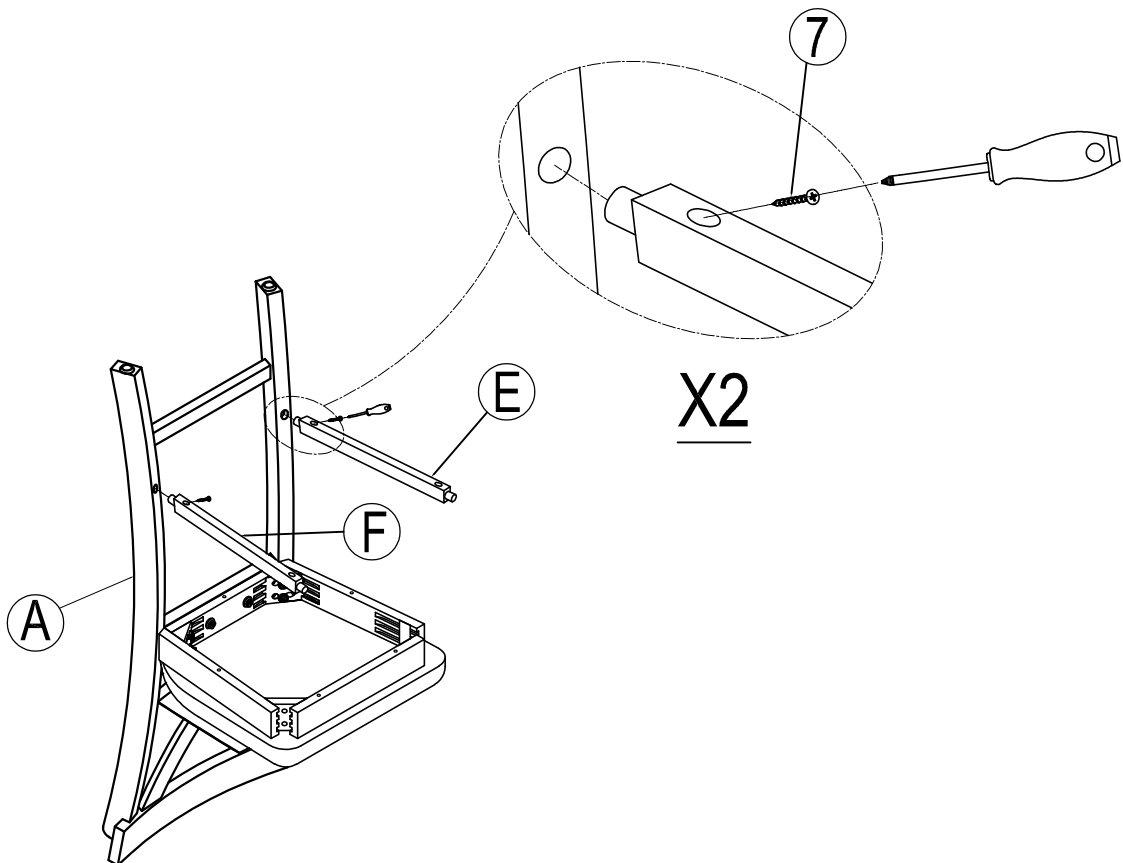
Hardware List

<p>(A)</p>  <p>BACK FRAME (2pcs)</p>	<p>1</p>  <p>Ø 1/4" x 40mm BOLT (4pcs)</p>
<p>(B)</p>  <p>SEAT FRAME (2pcs)</p>	<p>2</p>  <p>Ø 1/4" x 55mm BOLT (8pcs)</p>
<p>(C)</p>  <p>LEG LEFT (2pcs)</p>	<p>3</p>  <p>Ø 1/4" x 75mm BOLT (8pcs)</p>
<p>(D)</p>  <p>LEG RIGHT (2pcs)</p>	<p>4</p>  <p>Ø5/16" x 13mm LOCK WASHER (20pcs)</p>
<p>(E)</p>  <p>LEFT SIDE STRETCHER (2pcs)</p>	<p>5</p>  <p>Ø5/16" x 19mm FLAT WASHER (20pcs)</p>
<p>(F)</p>  <p>RIGHT SIDE STRETCHER (2pcs)</p>	<p>6</p>  <p>4mm ALLEN KEY (2pcs)</p>
<p>(G)</p>  <p>FRONT STRETCHER (2pcs)</p>	<p>7</p>  <p>Ø4 x 38mm WOOD SCREWS (12pcs)</p>

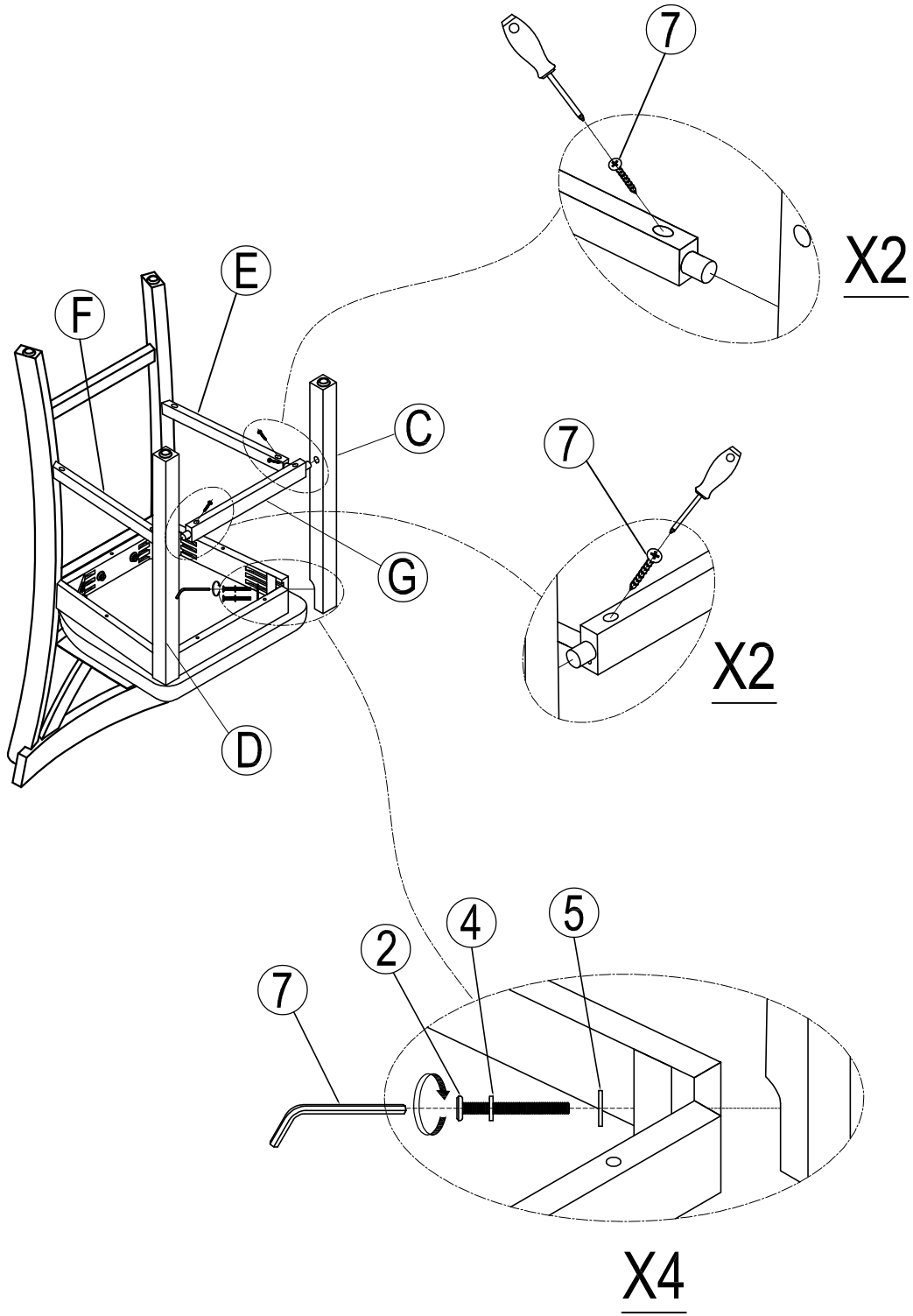
STEP 1:



STEP 2:

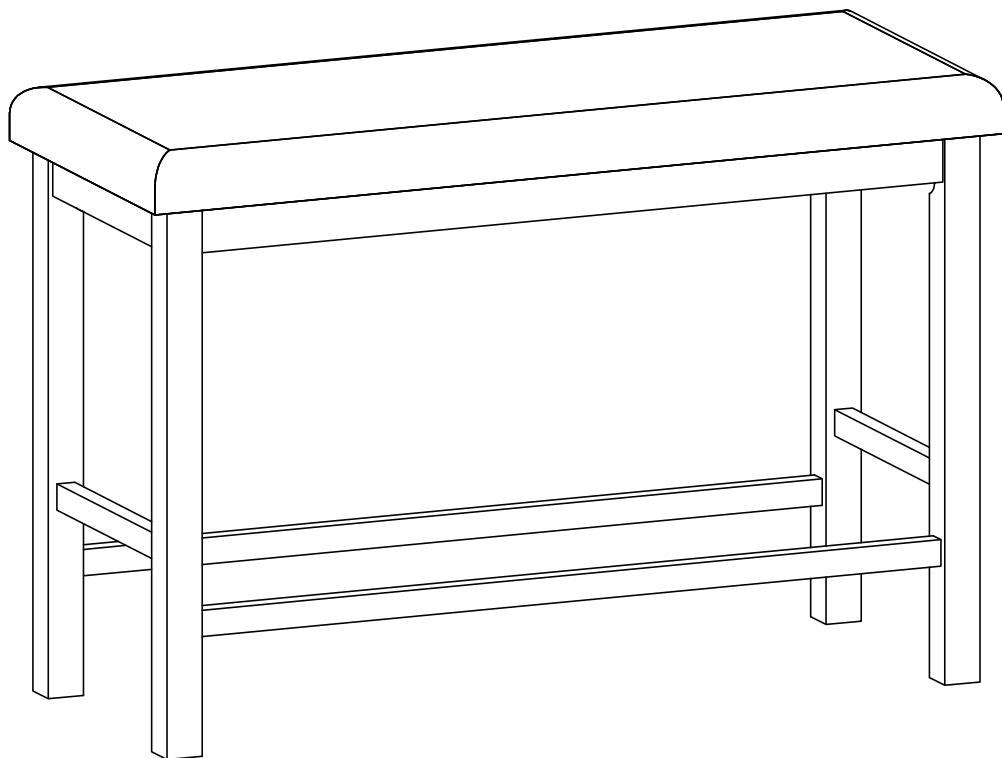


STEP 3:



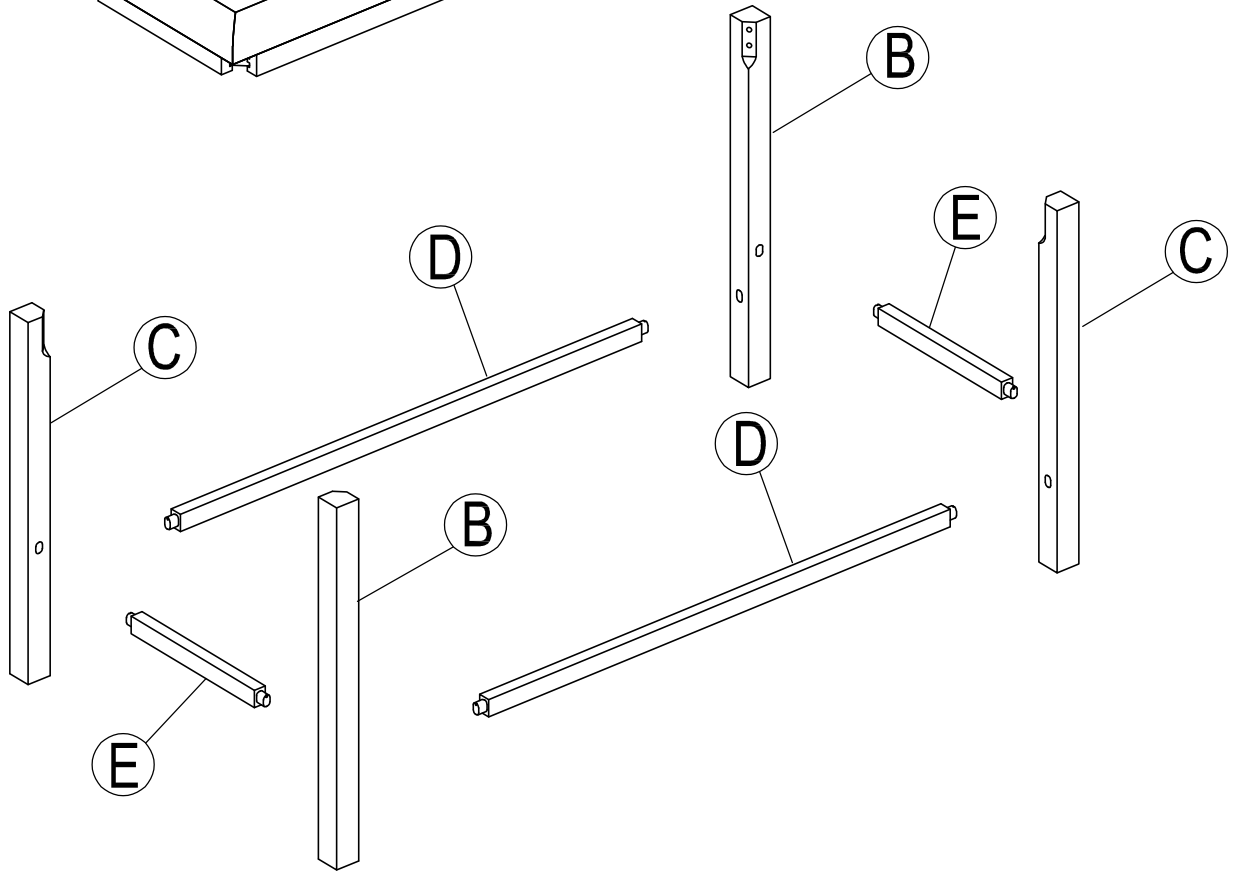
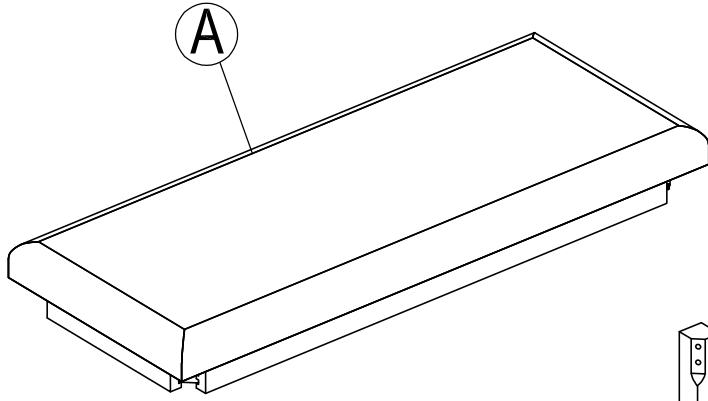
ASSEMBLY INSTRUCTION

ITEM NO.N715P423005



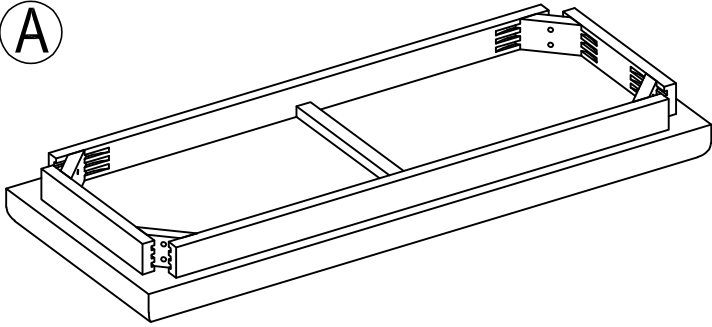
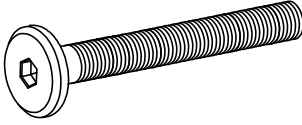
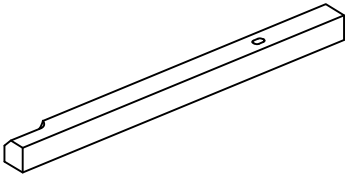

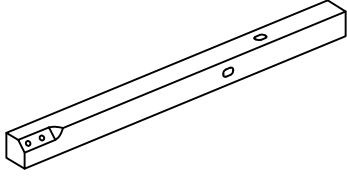
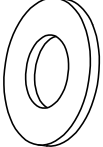
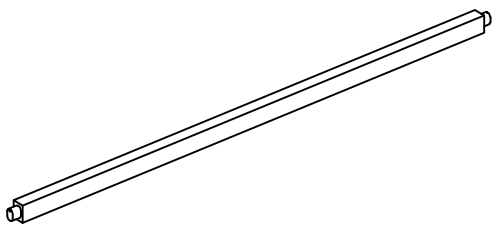

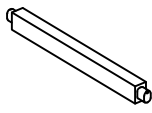
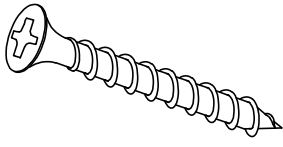
IMPORTANT NOTE :

- ① PLACE ALL PARTS ON A CLEAN AND SMOOTH SURFACE SUCH AS A RUG OR CARPET TO AVOID THE PARTS FROM BEING SCRATCHED.
- ② BEFORE YOU BEGIN,KINDLY FOLLOW THE ASSEMBLY INSTRUCTIONS STEP BY STEP.
- ③ DO NOT TIGHTEN ALL SCREWS AND BOLTS UNTIL THE BENCH IS FULLY SET-UP.

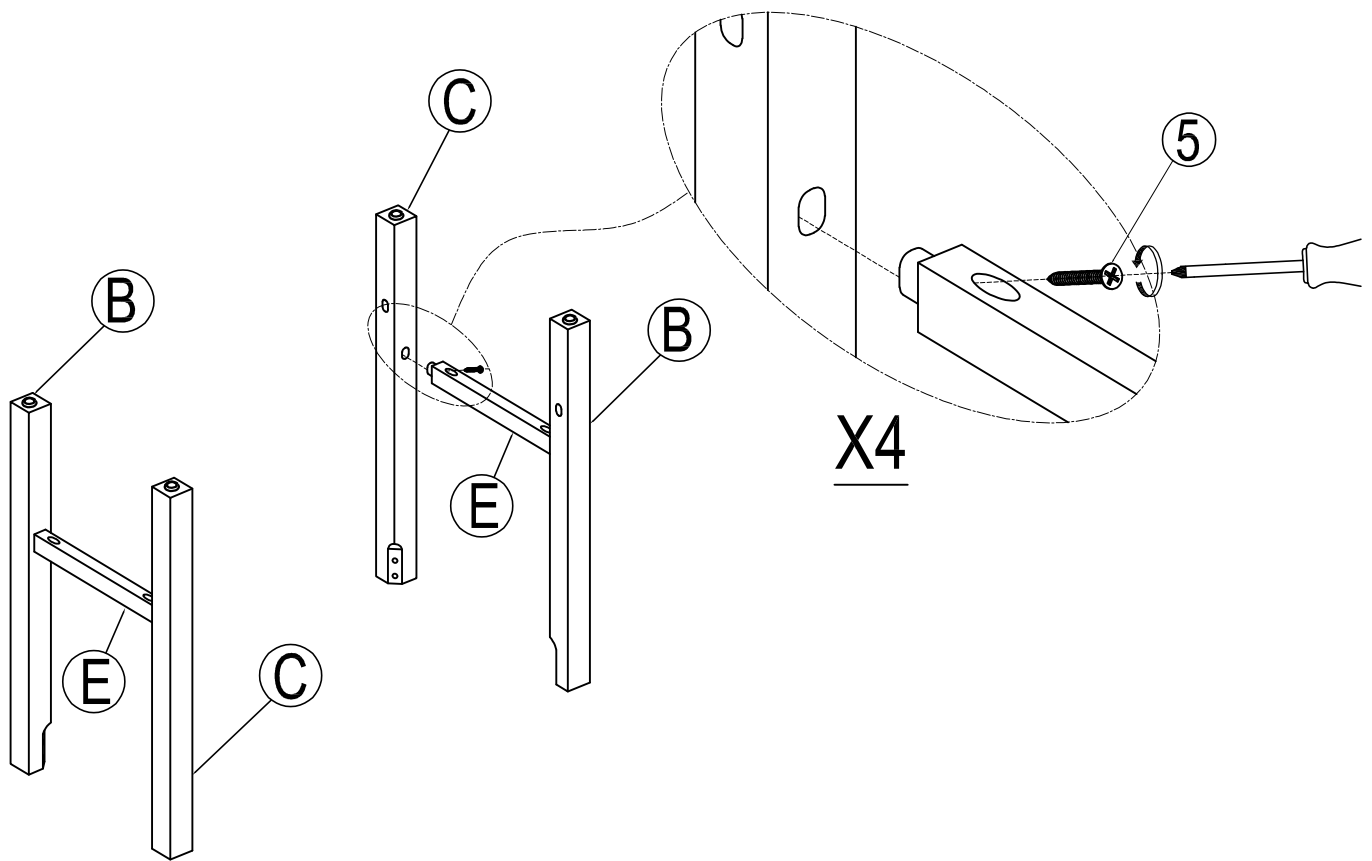


Part List

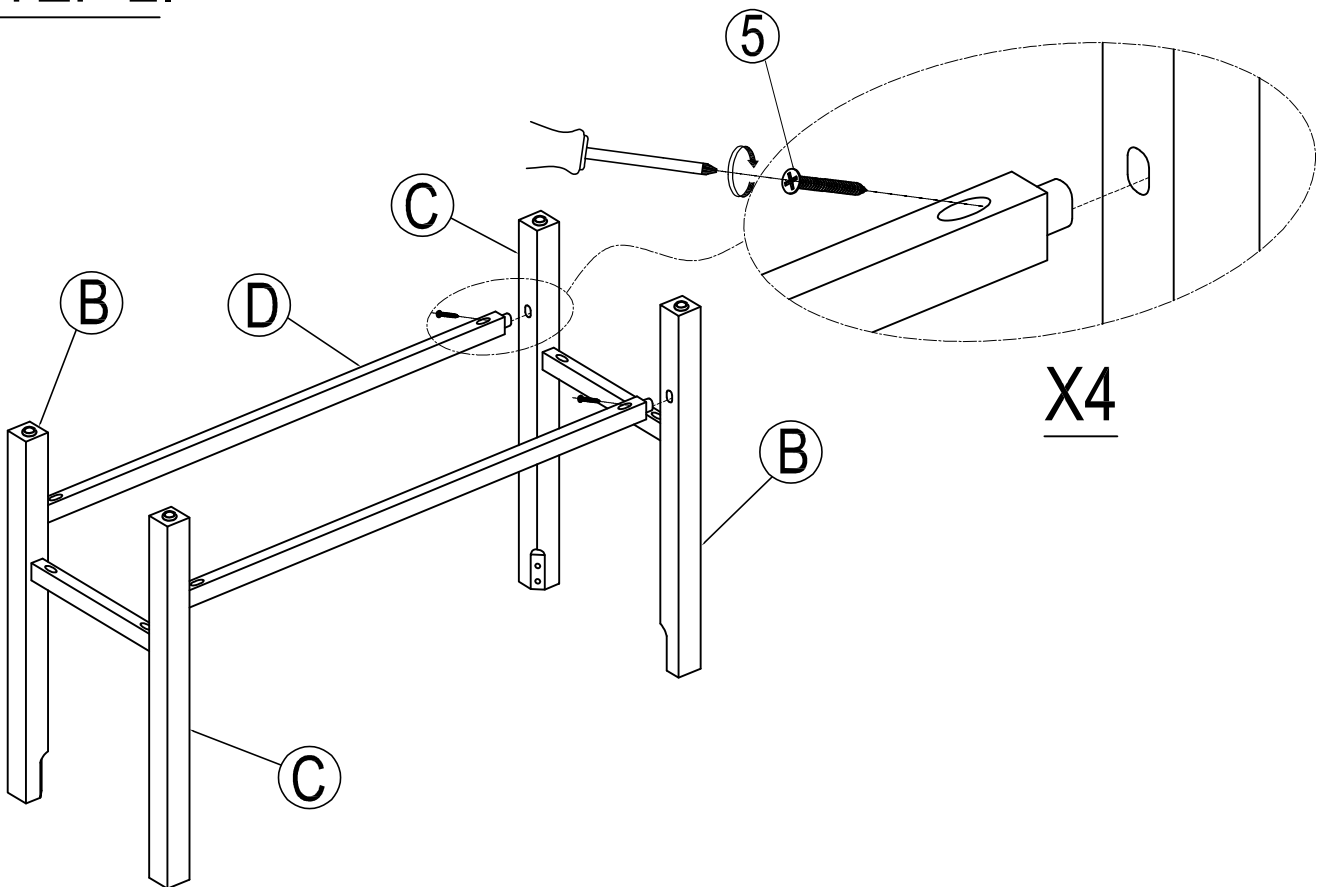
Hardware List

<p>A</p>  <p>TOP BENCH (1 pc)</p>	<p>1</p>  <p>Ø 1/4" x 50 mm</p> <p>BOLT (8 pcs)</p>
<p>B</p>  <p>LEG LEFT (2 pcs)</p>	<p>2</p>  <p>Ø5/16" x 13 mm</p> <p>LOCK WASHER (8 pcs)</p>
<p>C</p>  <p>LEG RIGHT (2 pcs)</p>	<p>3</p>  <p>Ø5/16" x 19 mm</p> <p>FLAT WASHER (8 pcs)</p>
<p>D</p>  <p>LONG STRETCHER (2 pcs)</p>	<p>4</p>  <p>4 mm</p> <p>ALLEN KEY (1 pc)</p>
<p>E</p>  <p>SHORT STRETCHER (2 pcs)</p>	<p>5</p>  <p>Ø4 x 38 mm</p> <p>WOOD SCREW (8 pcs)</p>

STEP 1:



STEP 2:



STEP 3:

