

# Assembly Instruction

## Corner Seat



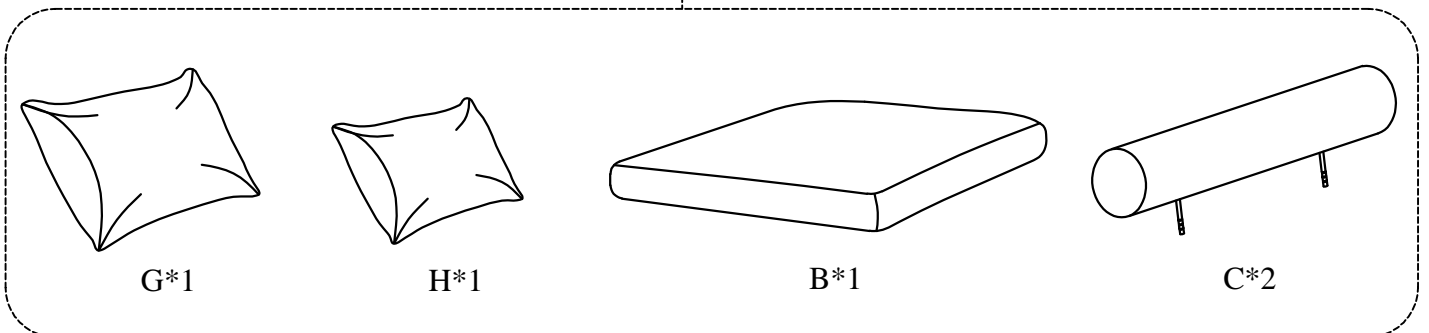
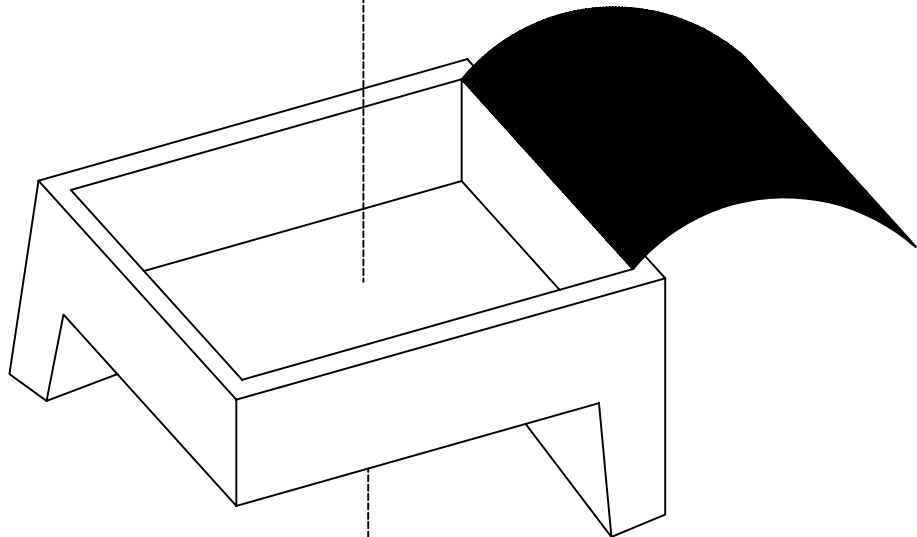
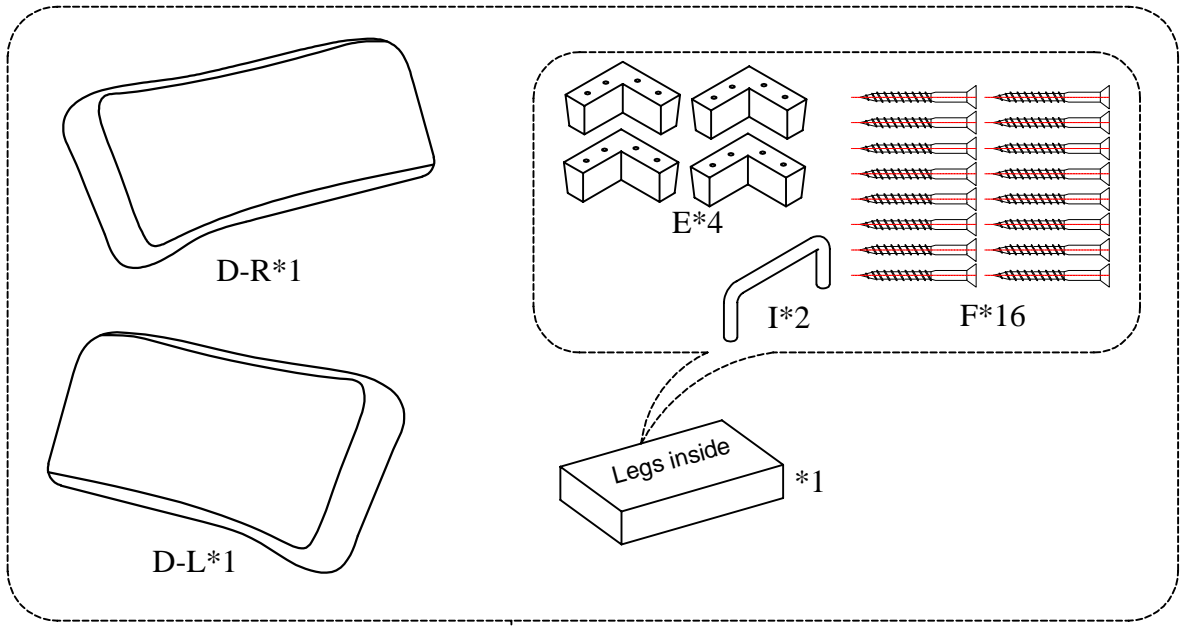
Legs & hardware are stored in the box, please take out the legs and hardware for assembly.

Note: Do not use power tools for assembly. Power tools increase the risk of over tightening which lead to splitting or cracking the wood.

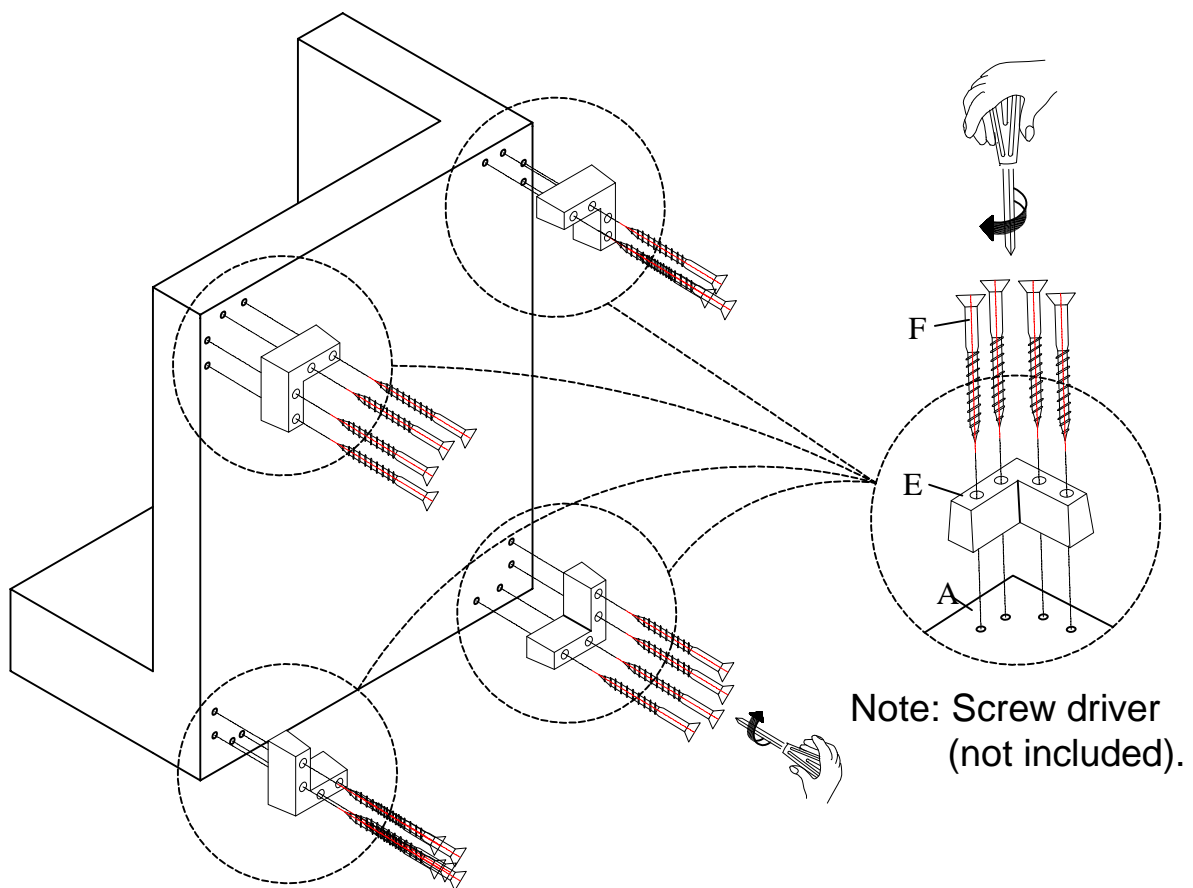
### Chair Component list

| No         | Drawing | Qty       | Description                            |
|------------|---------|-----------|--|
| <b>A</b>   |         | <b>1</b>  | <b>SEAT</b>                            |
| <b>B</b>   |         | <b>1</b>  | <b>SEAT CUSHION</b>                    |
| <b>C</b>   |         | <b>2</b>  | <b>HEADREST</b>                        |
| <b>D-R</b> |         | <b>1</b>  | <b>LSF BACK CUSHION</b>                |
| <b>D-L</b> |         | <b>1</b>  | <b>RSF BACK CUSHION</b>                |
| <b>E</b>   |         | <b>4</b>  | <b>PLASTIC LEG<br/>150*150*70mm</b>    |
| <b>F</b>   |         | <b>16</b> | <b>SCREW<br/>M4*70mm</b>               |
| <b>G</b>   |         | <b>1</b>  | <b>SQUARE PILLOW<br/>550*550*120mm</b> |
| <b>H</b>   |         | <b>1</b>  | <b>SQUARE PILLOW<br/>480*480*120mm</b> |
| <b>I</b>   |         | <b>2</b>  | <b>CONNECTION LOCK<br/>78*50*40mm</b>  |

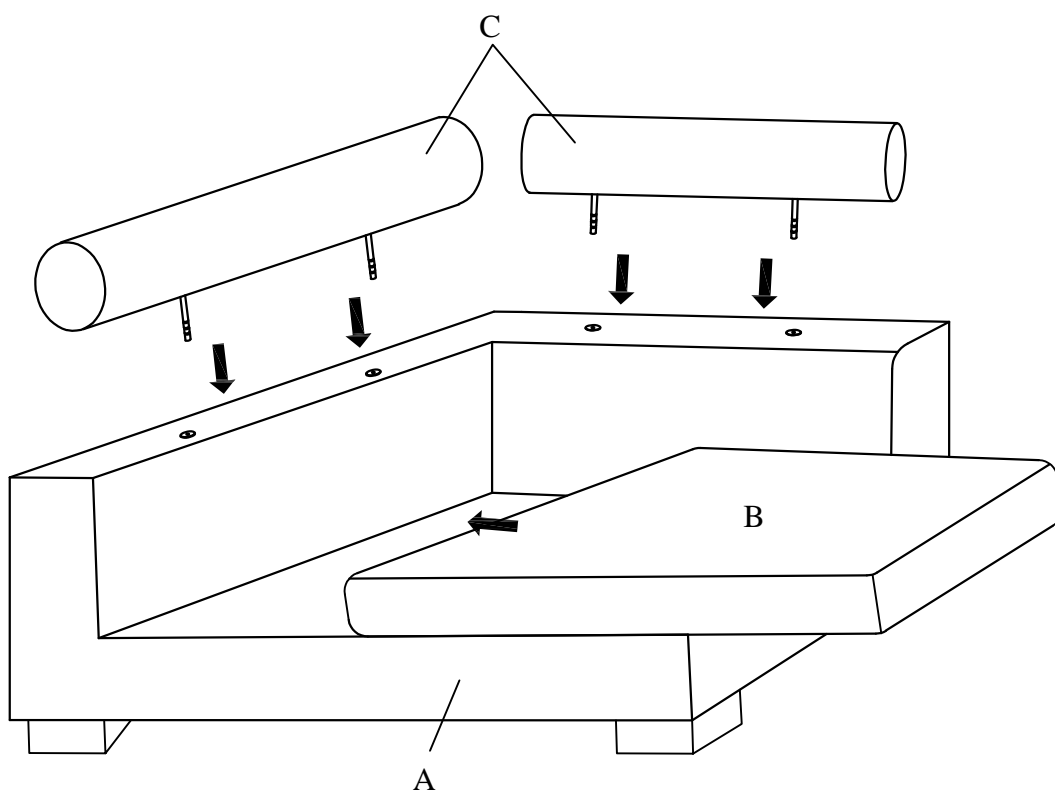
THE PARTS ARE LOCATED INSIDE THE BOX AS BELOW:



### Step #1

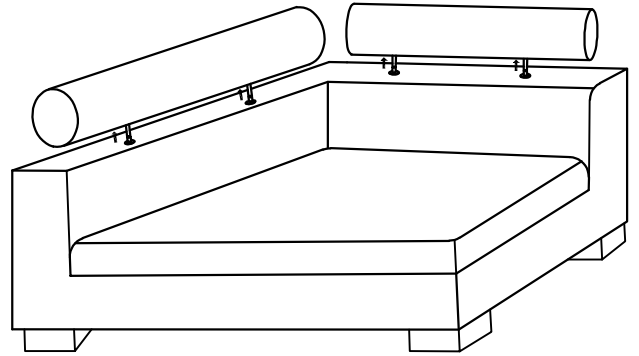
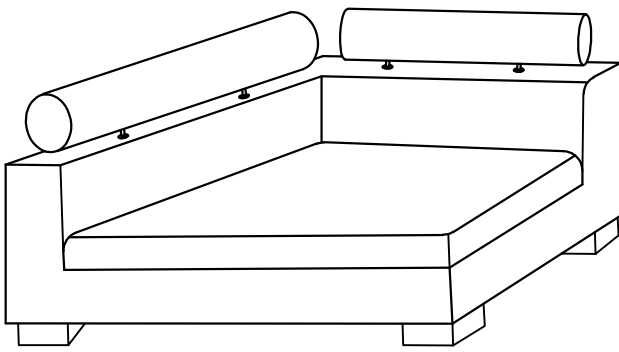


### Step #2

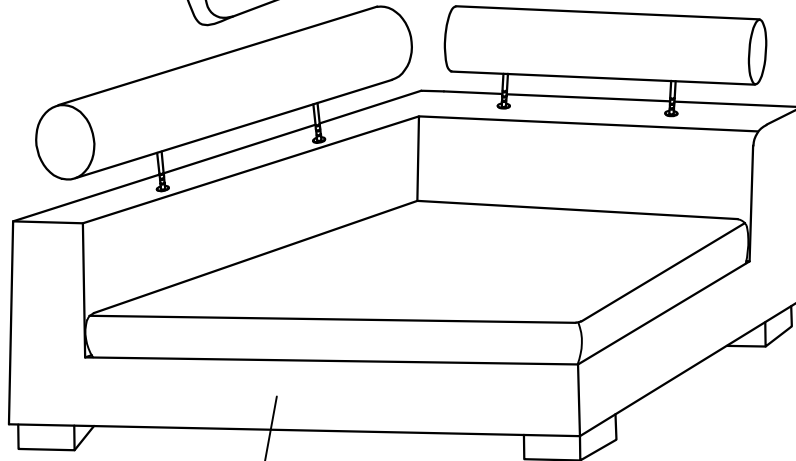
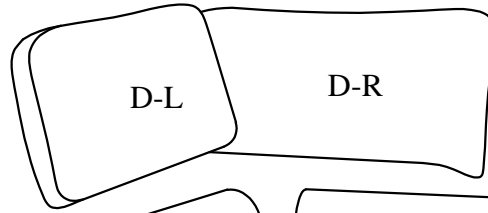
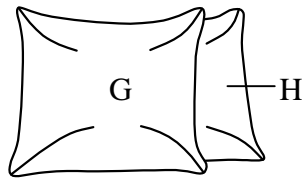


Step #3

Note: Adjust head pillow height as desired.

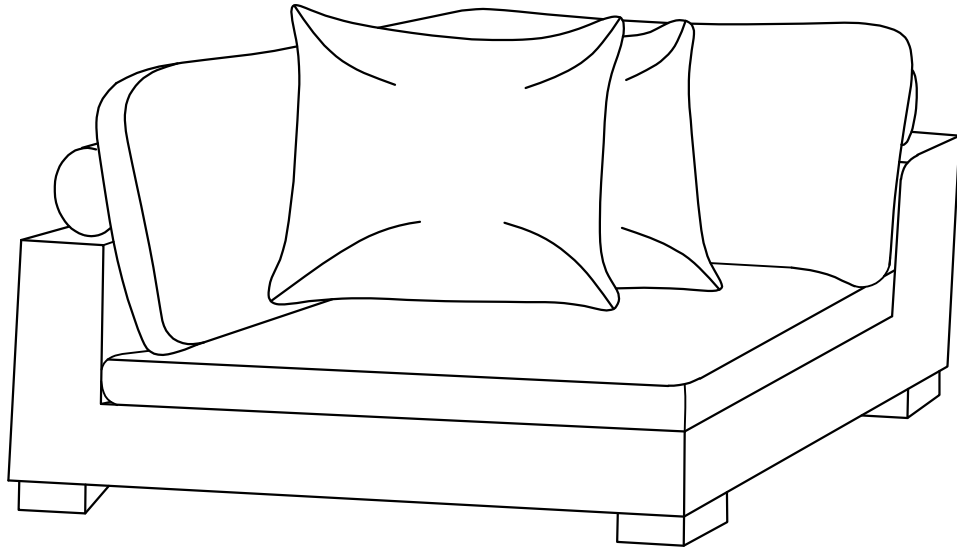


Step #4

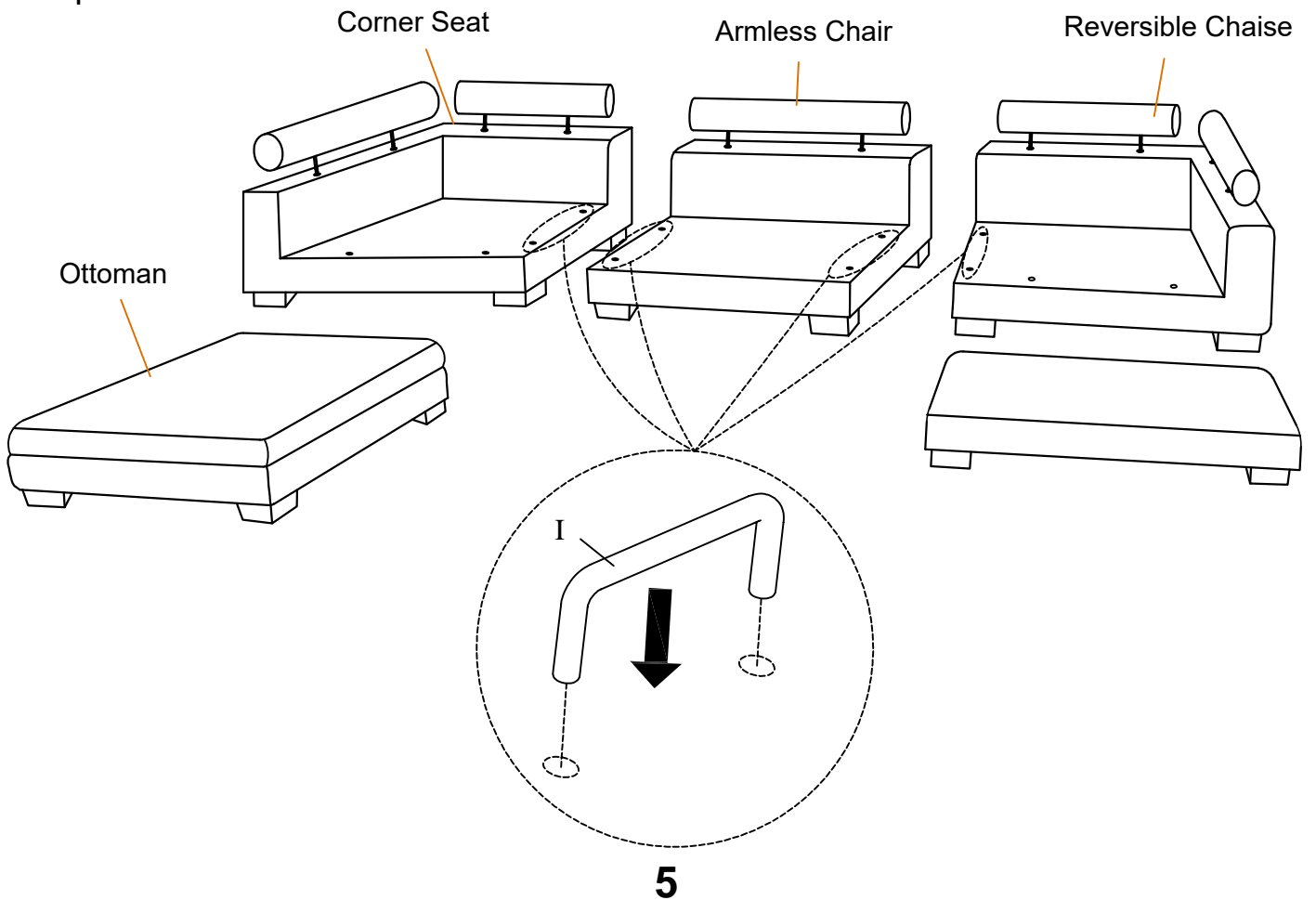


A

Step #5

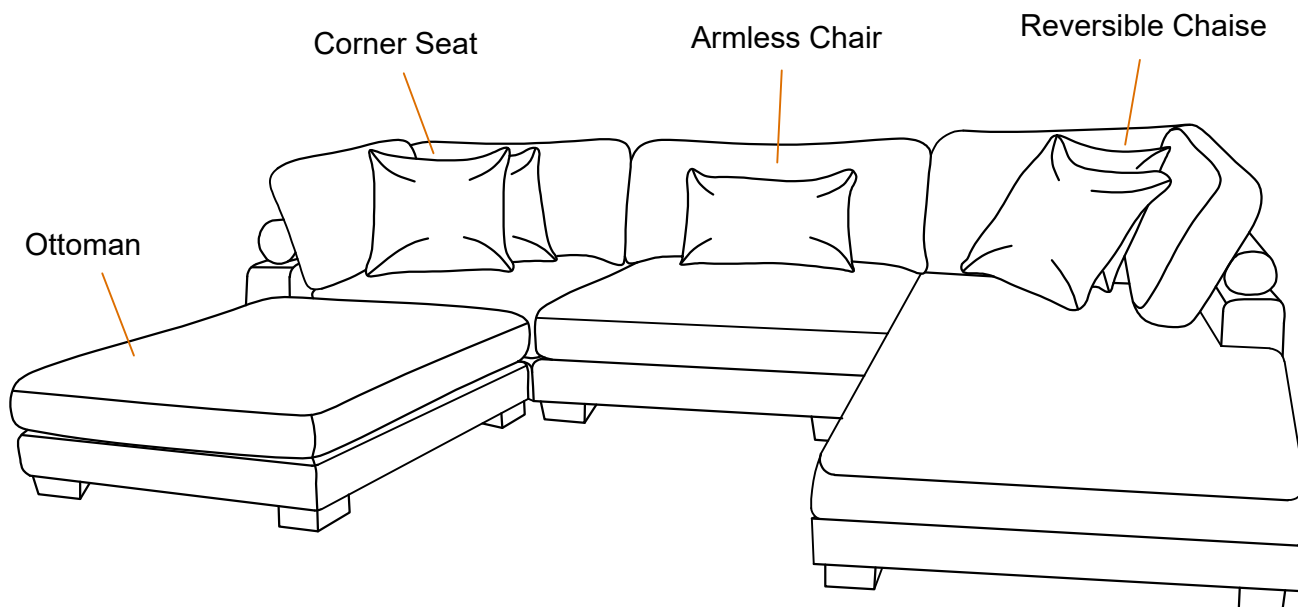


Step #6



## Step #7

Assembly completed.



## Care Instruction for Textured Microfiber Furniture:

In order to maintain the original appearance of your textured microfiber please follow below simple care procedures:

- Avoid exposing furniture directly to sunlight or heating and air conditioning outlets. Sunlight and/or exposure to heating and air conditioning outlets will fade/damage textured microfiber. Do not place your upholstered furniture too close to windows, radiators, or vents, and be sure to use windows, radiators, or vents.
- Vacuum or wipe with a soft cloth to remove dust.
- Hardware may loosen over time. Periodically check to make sure all connections are tight. Re-tighten if necessary.



For items use on wooden floor, hard surfaces or carpets, it is recommended to Install protective pads under all legs and supports to avoid/prevent from damages/scratches and discoloration.

# Assembly Instruction

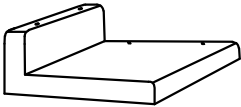

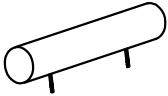

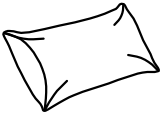
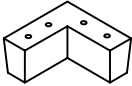
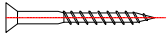
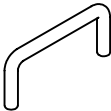
## Armless Chair



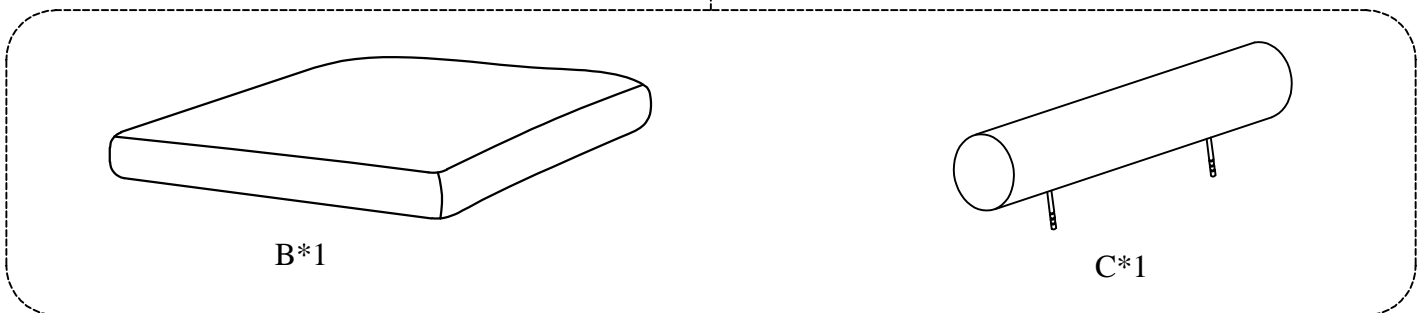
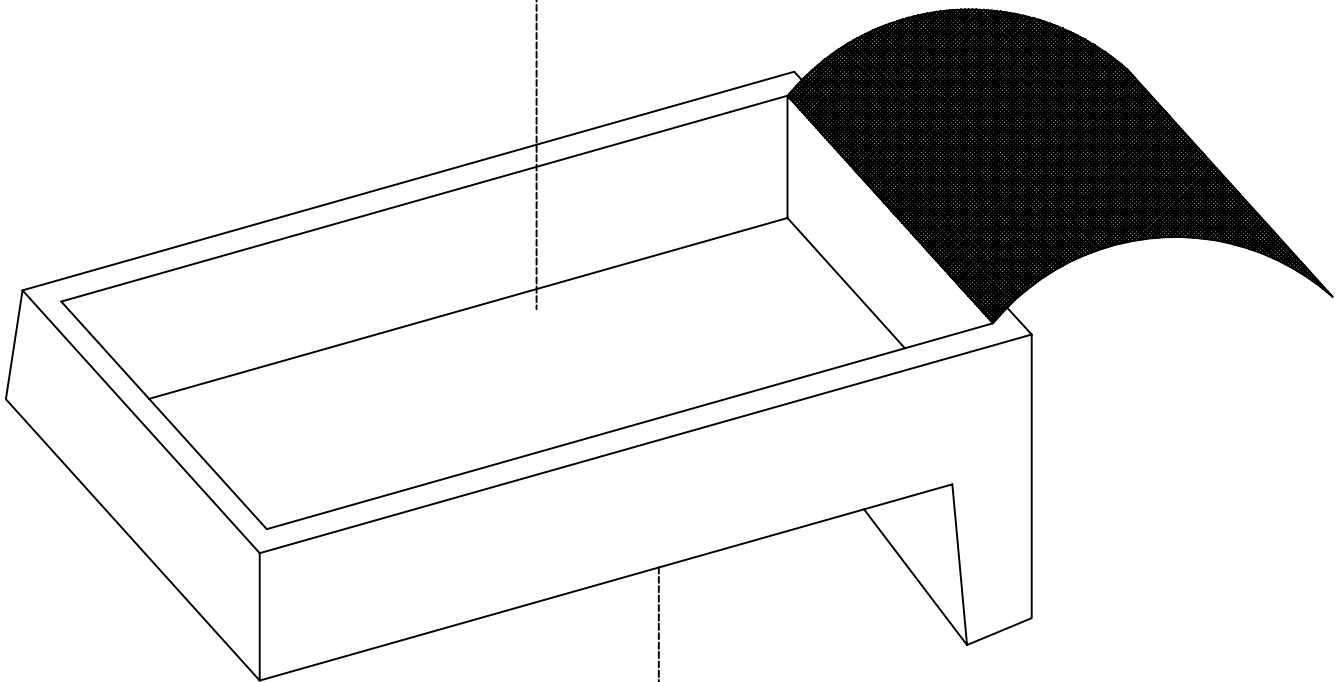
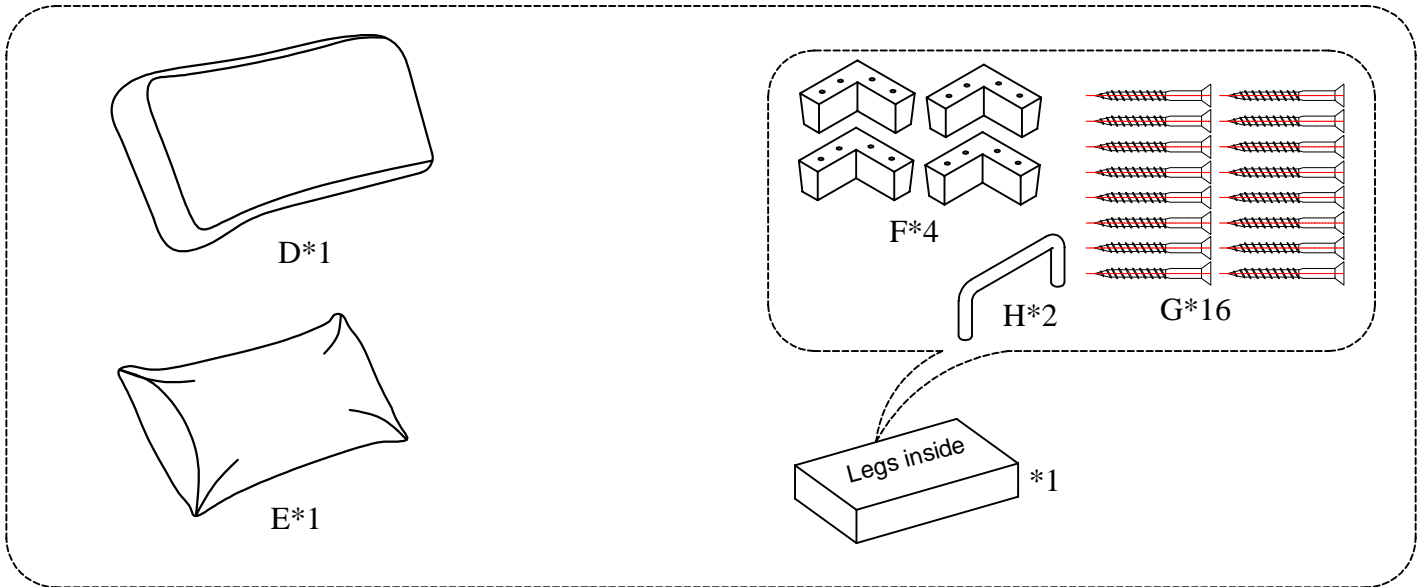
Legs & hardware are stored in the box, please take out the legs and hardware for assembly.

Note: Do not use power tools for assembly. Power tools increase the risk of over tightening which lead to splitting or cracking the wood.

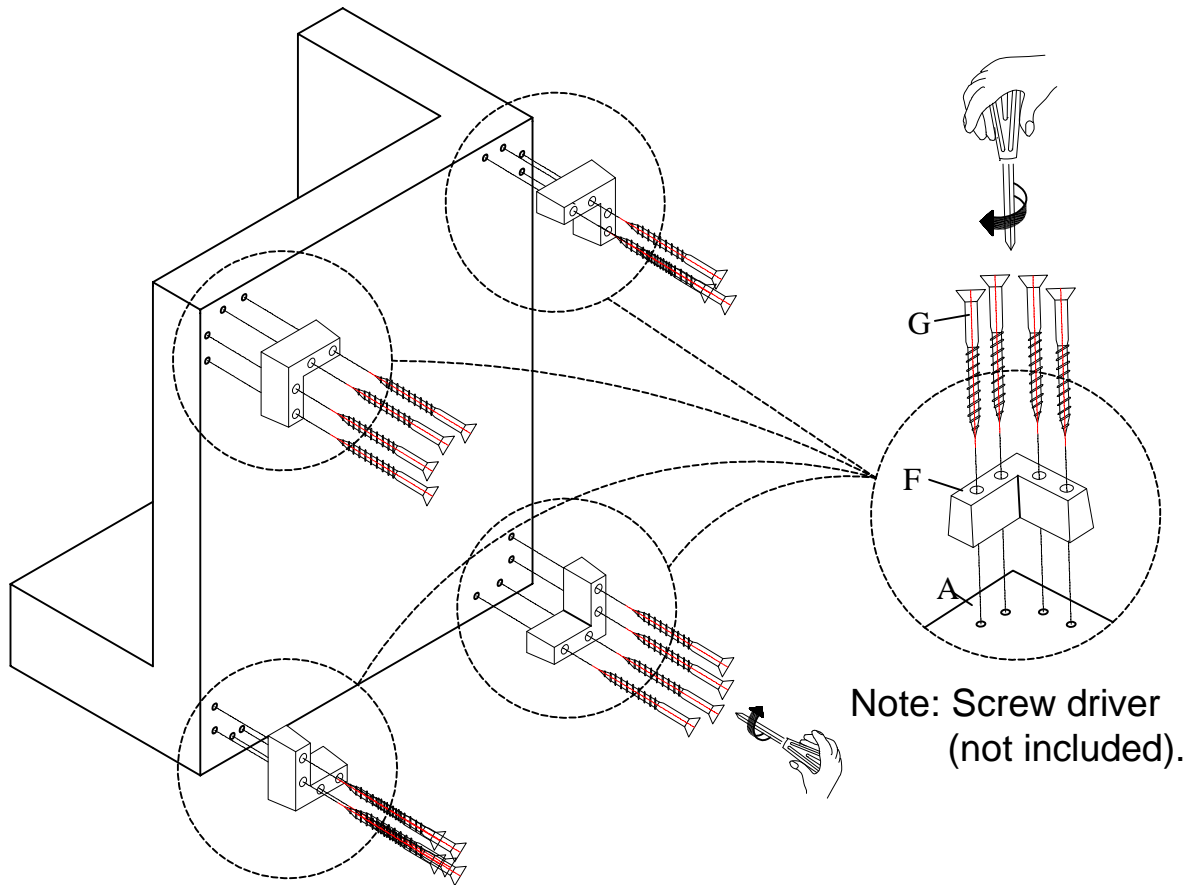
### Chair Component list

| No       | Drawing   | Qty       | Description                                 |
|----------|---|-----------|---|
| <b>A</b> |    | <b>1</b>  | <b>SEAT</b>                                 |
| <b>B</b> |   | <b>1</b>  | <b>SEAT CUSHION</b>                         |
| <b>C</b> |  | <b>1</b>  | <b>HEADREST</b>                             |
| <b>D</b> |  | <b>1</b>  | <b>BACK CUSHION</b>                         |
| <b>E</b> |  | <b>1</b>  | <b>RECTANGULAR PILLOW<br/>680*400*120mm</b> |
| <b>F</b> |  | <b>4</b>  | <b>PLASTIC LEG<br/>10*150*70mm</b>          |
| <b>G</b> |  | <b>16</b> | <b>SCREW<br/>M4*70mm</b>                    |
| <b>H</b> |  | <b>2</b>  | <b>CONNECTION LOCK<br/>78*50*40mm</b>       |

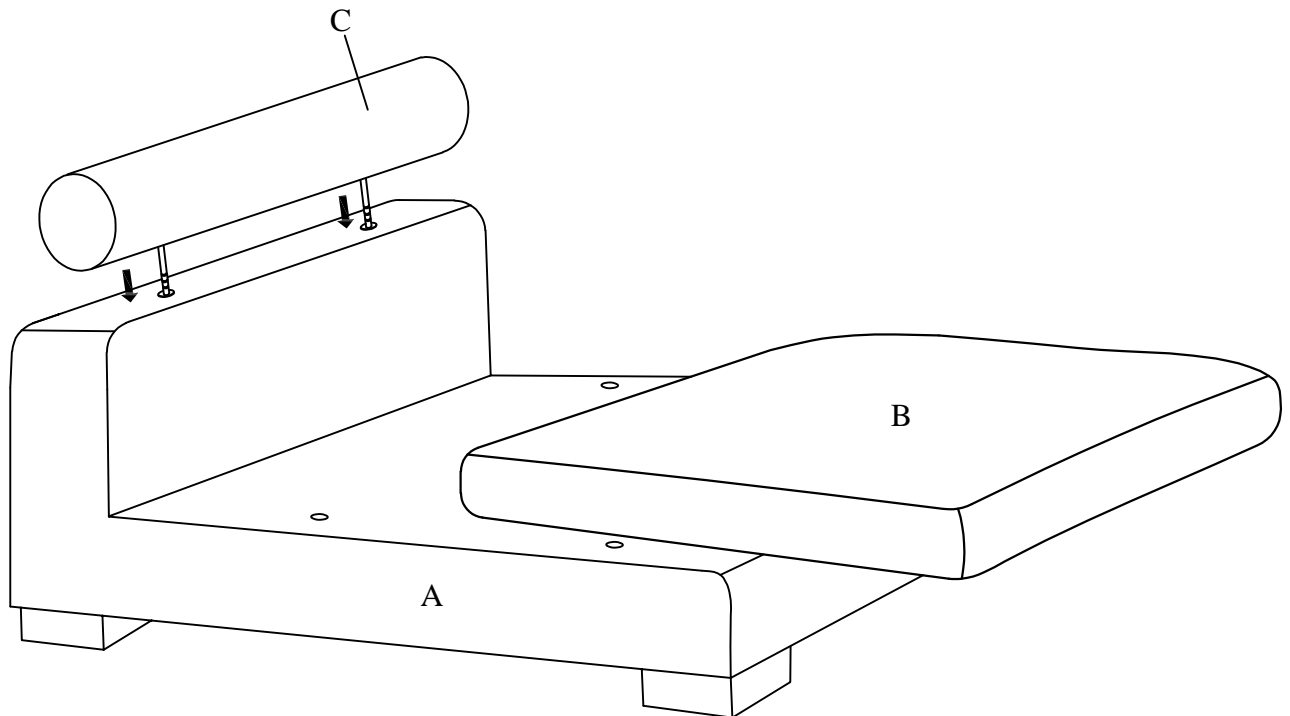
THE PARTS ARE LOCATED INSIDE THE BOX AS BELOW:



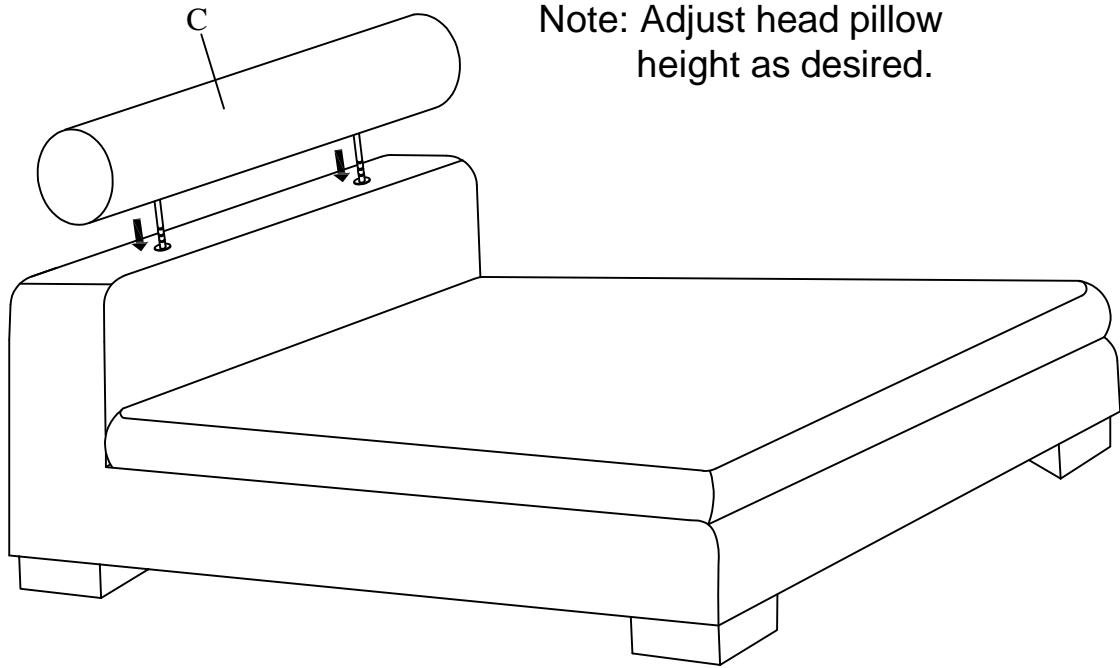
## Step #1



## Step #2

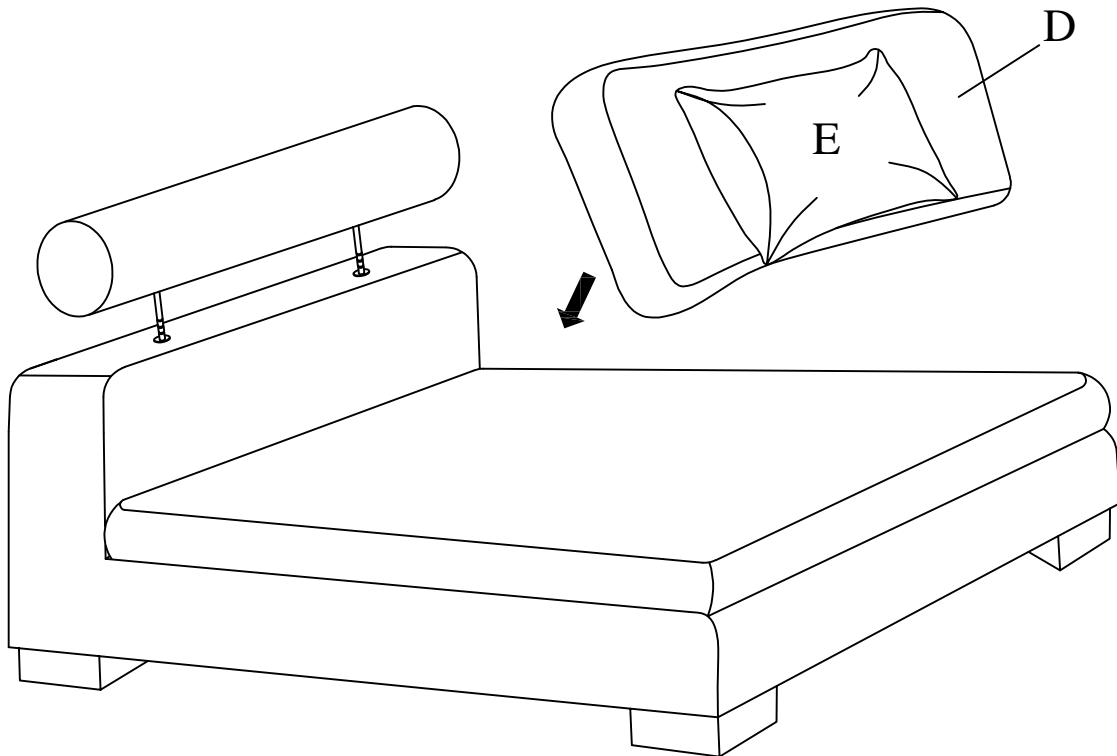


Step #3



Note: Adjust head pillow height as desired.

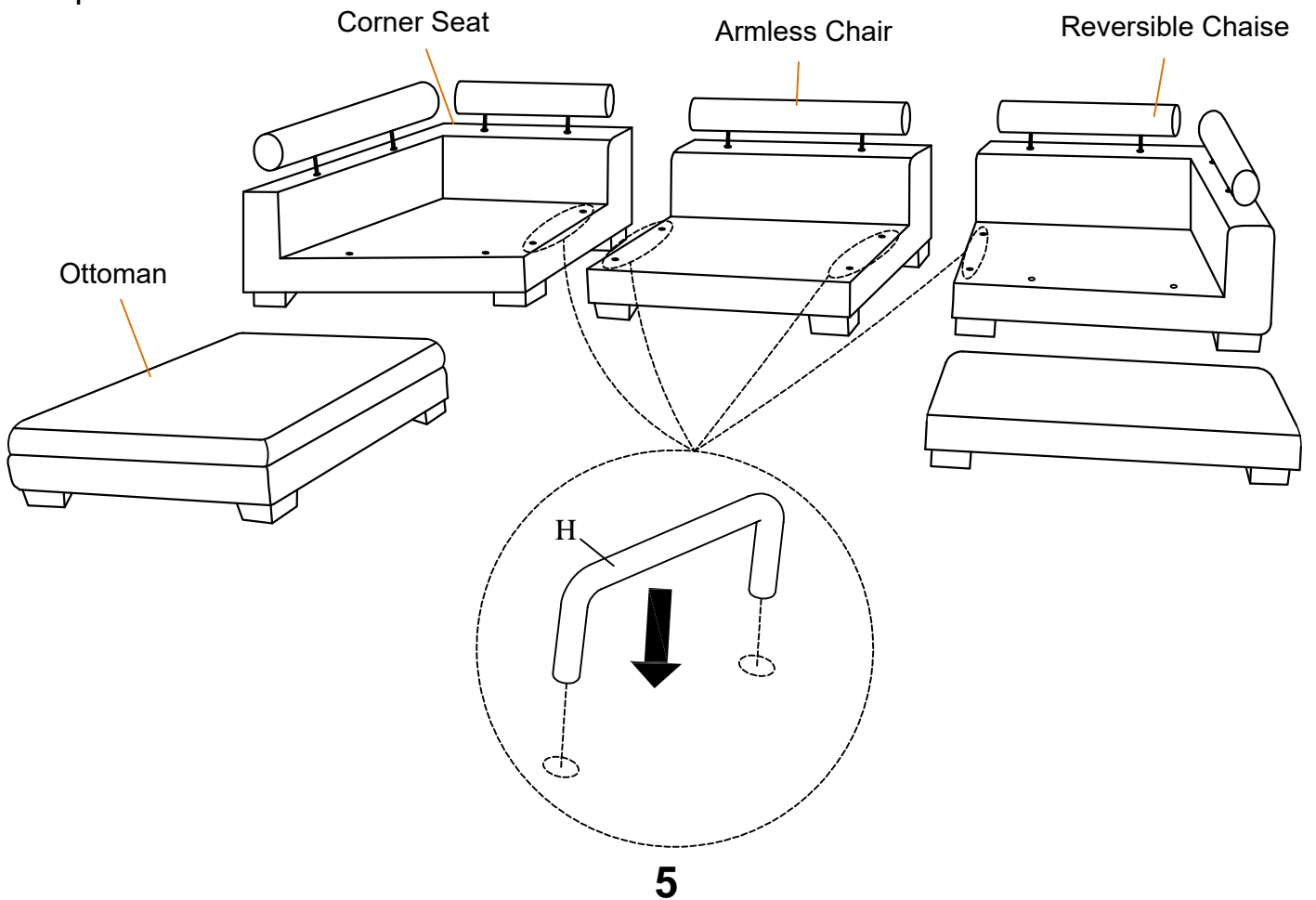
Step #4



Step #5

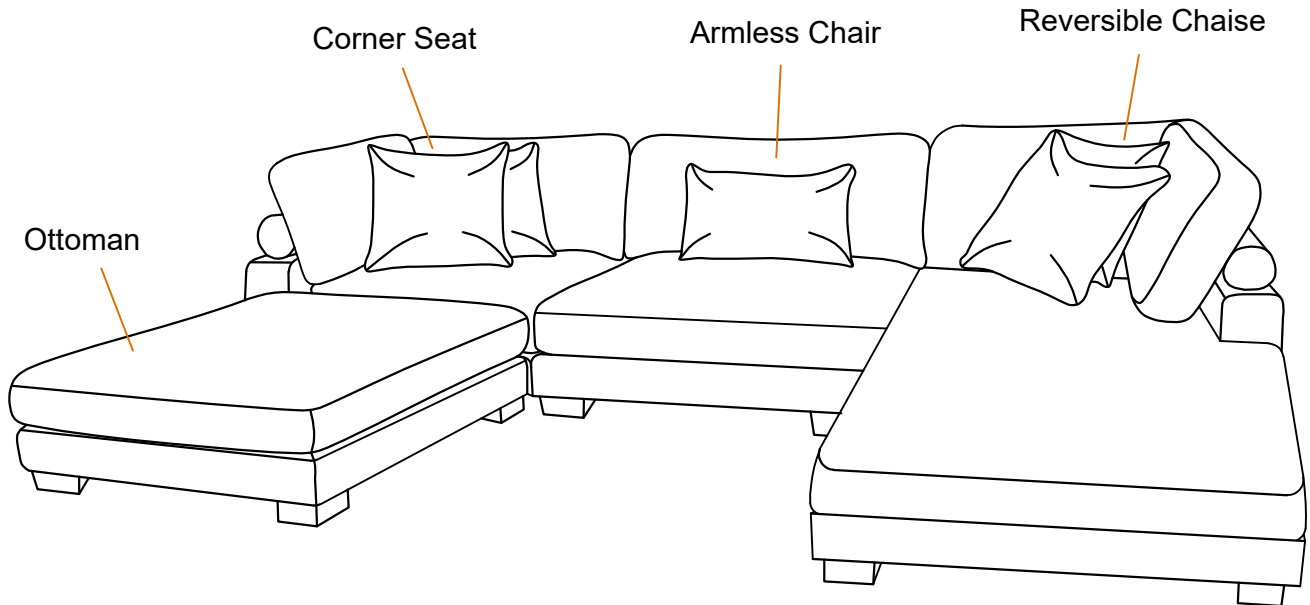


Step #6



## Step #7

Assembly completed.



## Care Instruction for Textured Microfiber Furniture:

In order to maintain the original appearance of your textured microfiber please follow below simple care procedures:

- Avoid exposing furniture directly to sunlight or heating and air conditioning outlets. Sunlight and/or exposure to heating and air conditioning outlets will fade/damage textured microfiber. Do not place your upholstered furniture too close to windows, radiators, or vents, and be sure to use windows, radiators, or vents.
- Vacuum or wipe with a soft cloth to remove dust.
- Hardware may loosen over time. Periodically check to make sure all connections are tight. Re-tighten if necessary.



For items use on wooden floor, hard surfaces or carpets, it is recommended to Install protective pads under all legs and supports to avoid/prevent from damages/scratches and discoloration.