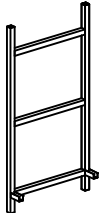
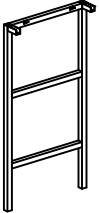
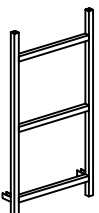
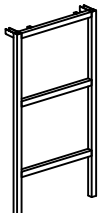
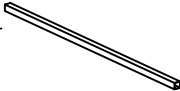
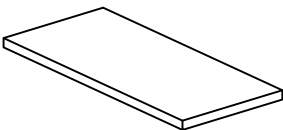
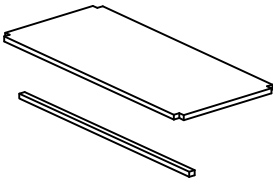
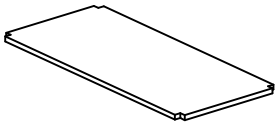
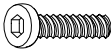

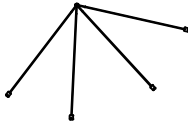
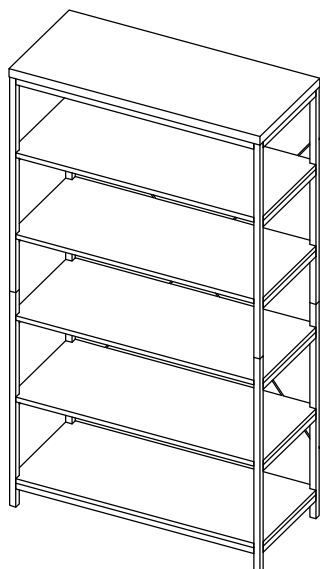


# ASSEMBLY INSTRUCTION

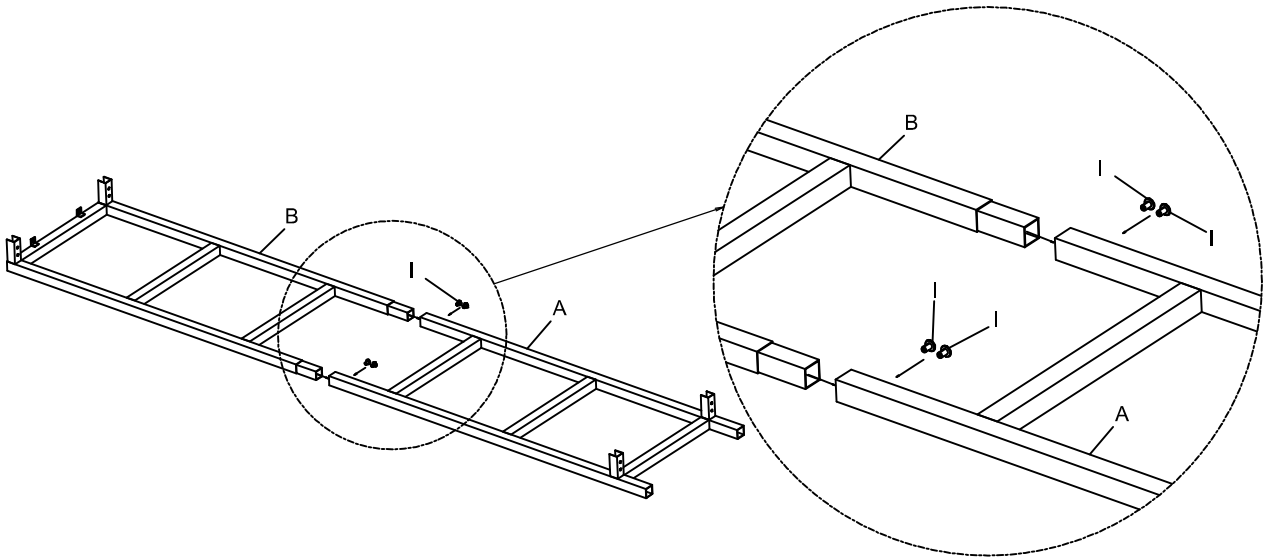
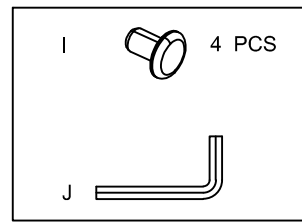
## LARGE BOOKCASE

<b>A</b> Side Frame  1pc	<b>B</b> Side Frame  1pc	<b>C</b> Side Frame  1pc	<b>D</b> Side Frame  1pc
<b>E</b> Connecting Tube  4pcs	<b>F</b> Table Top  1pc	<b>G</b> Shelf  4pcs	<b>H</b> Shelf  1pc
<b>I</b> Bolts 1/4"X1/2"  32pcs	<b>J</b> Allen Wrench  1pc	<b>K</b> Connector  1set	

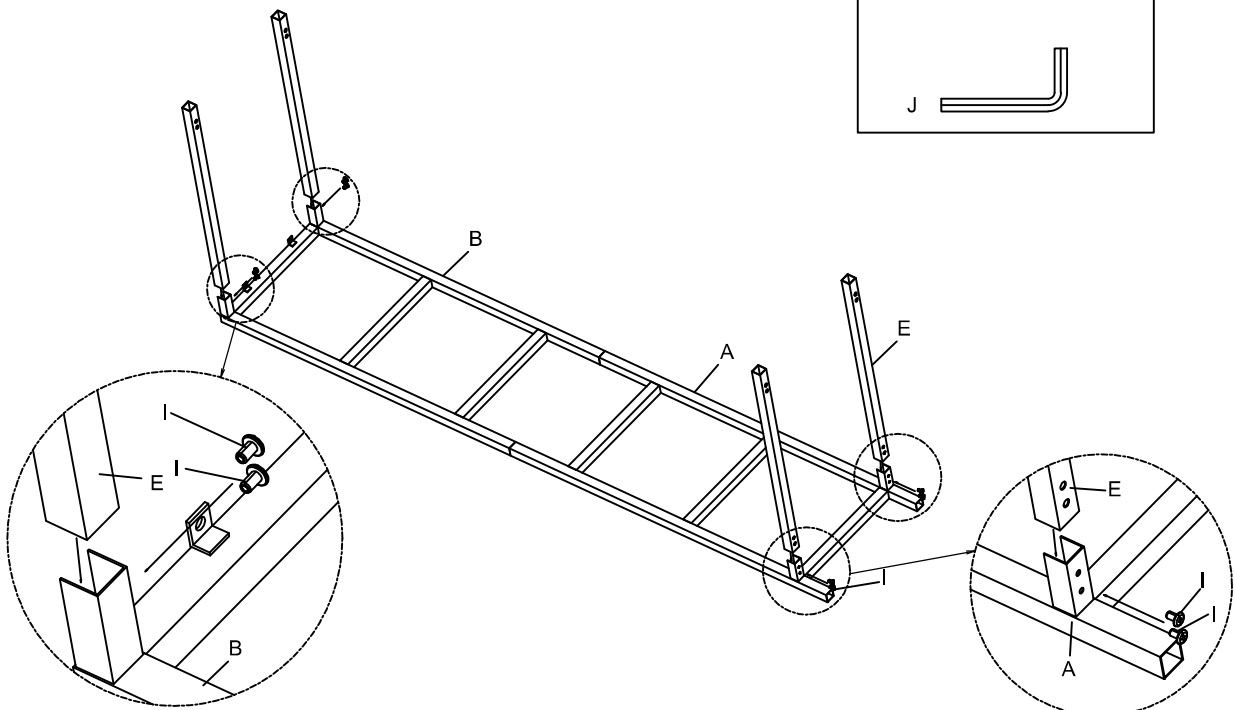
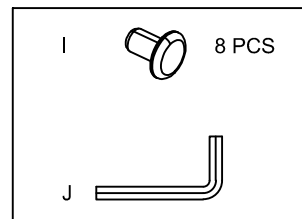


This page lists all the contents included in the box. Please take the time to identify the hardware as well as the individual components to this product. As you unpack and prepare for assembly, place the contents on a carpeted or padded area to protect them from damage.

- 1** Attach the side frame (A) to side frame (B) using bolts (I)\*4 with allen wrench (J), tighten bolts half way.



- 2** Insert 4 connecting tubes (E) to side frame (A) and side frame (B) using bolts (I)\*8 with allen wrench (J), tighten bolts half way.

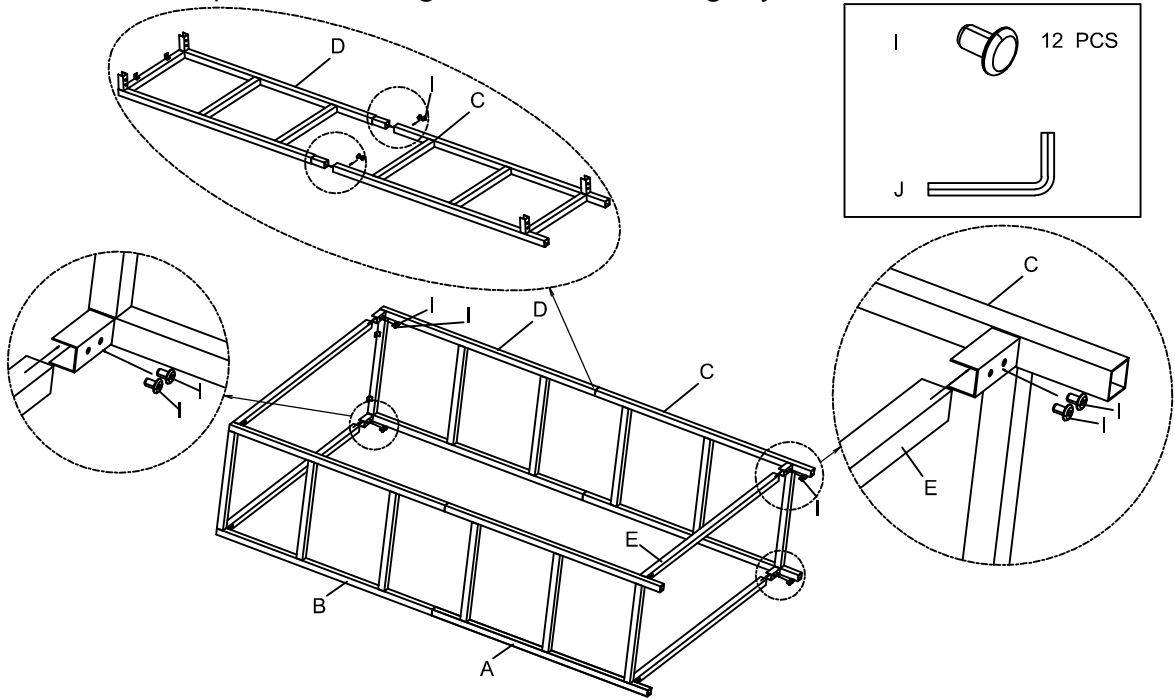


**3**

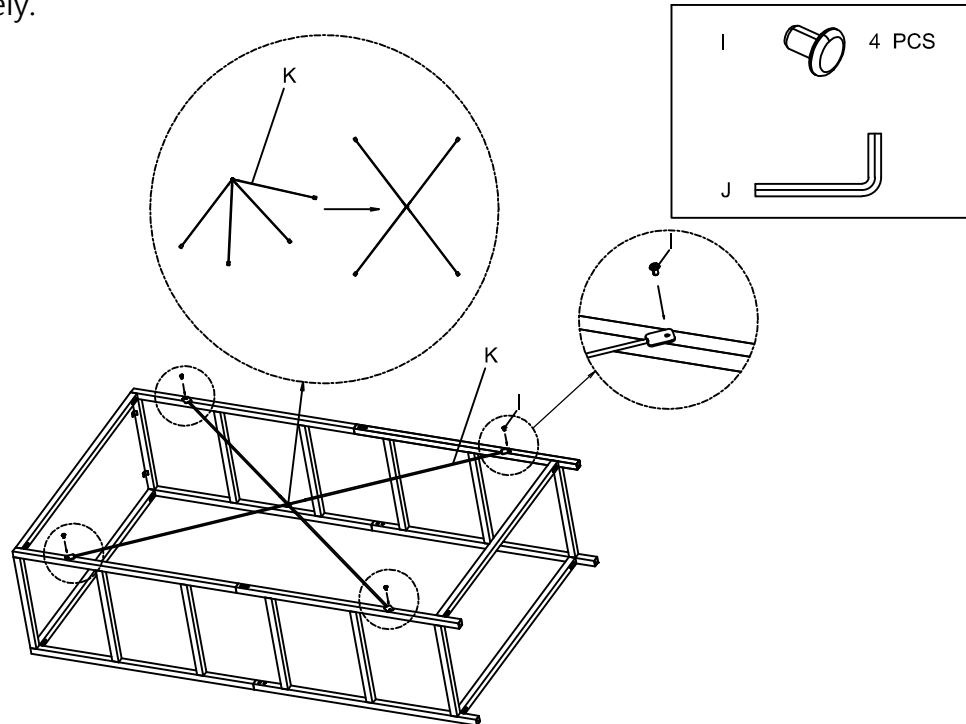
Attach side frame (C) and side frame (D) using bolts (I)\*4 with allen wrench (J), tighten bolts half way.

Attach side frame (C) and side frame (D) to the connecting tube (E) using bolts (I)\*8 with allen wrench (J), tighten bolts half way.

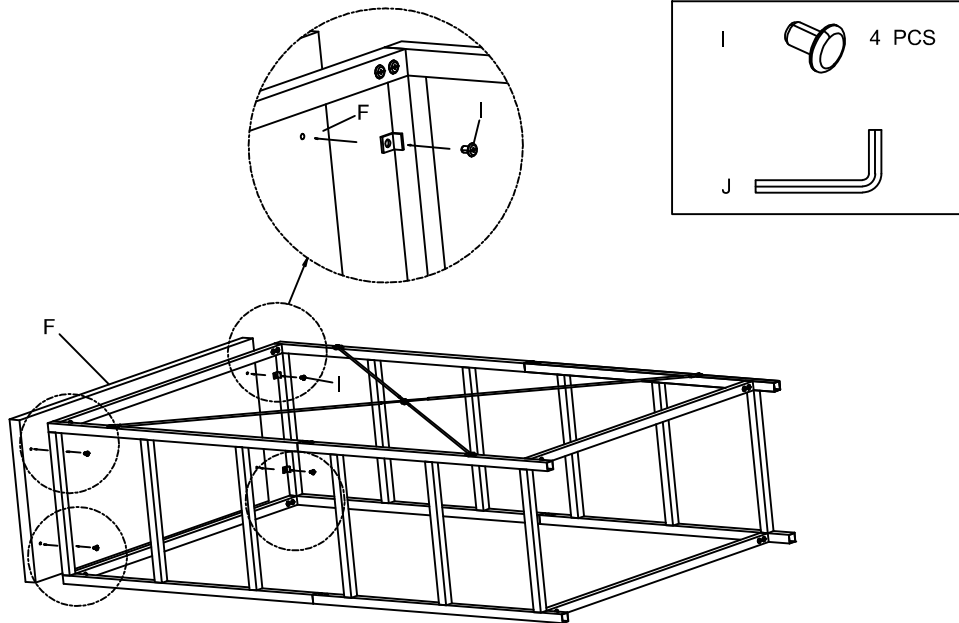
Check to make sure that the side frame (A&B) and side frame (C&D) to are not uneven, once all pieces are straight, fasten all bolts tightly.

**4**

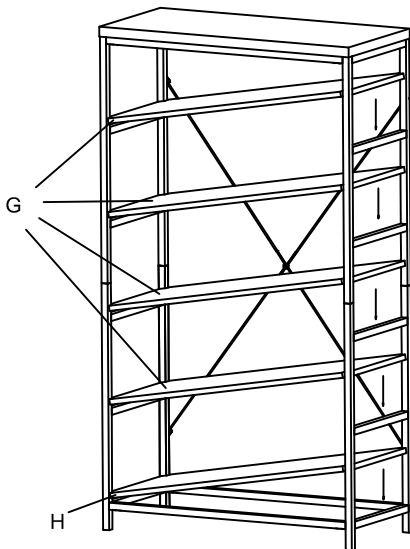
Attach connector (K) behind the bookcase using bolts (I)\*4 with allen wrench (J), tighten securely.



- 
- 5** Attach the table top (F) to assembled parts using bolts (I)\*4 with allen wrench (J), tighten securely.



- 
- 6** Keep the assembled parts upright, place the shelf (G) and shelf (H) onto the frame.



**Attention:**  
To avoid the products fall down, please install the furniture tipping restraint and refer to the installation instructions as shown on the plastic bag.

---

#### Cleaning & Care

Treat surface with care. Surface is resistant to scratches but is not scratch resistant. Clean surfaces with a dry or damp soft cloth. Do not use abrasive cleaners. Hardware may loosen over time. Periodically check that all connections are tight.