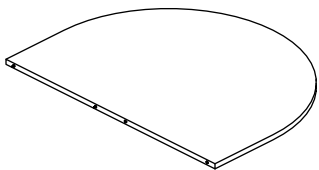
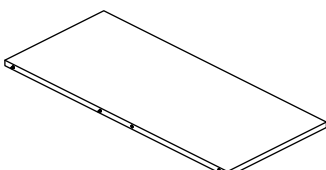
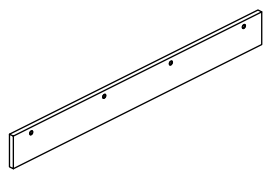
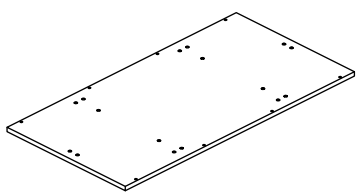
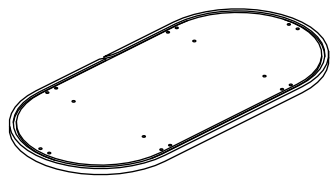
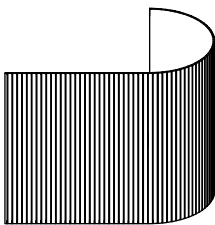
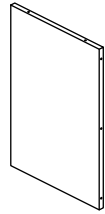


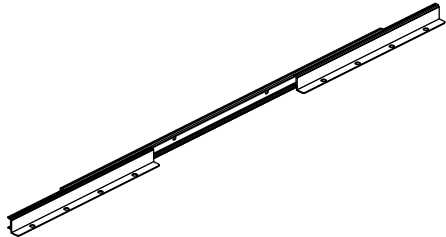








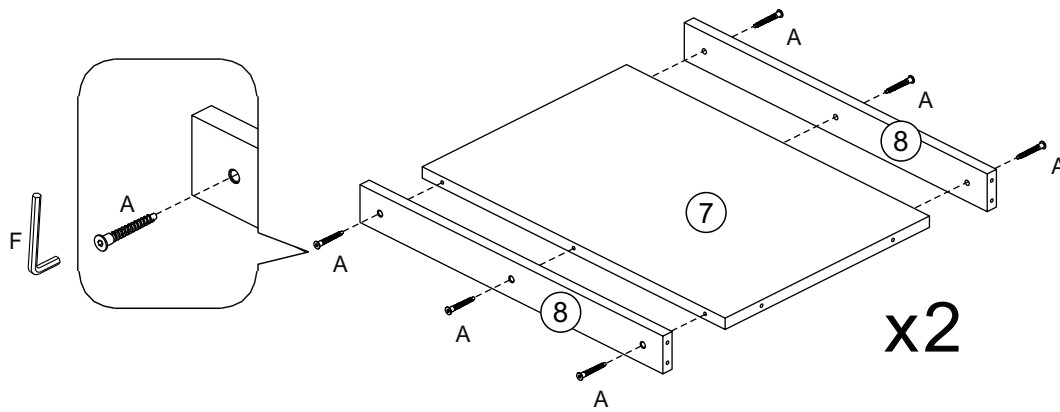
# ASSEMBLY INSTRUCTION


P 2

<p>① x2</p> 	<p>② x1</p> 	
<p>③ x2</p> 	<p>④ x1</p> 	
<p>⑤ x1</p> 	<p>⑥ x2</p> 	
<p>⑦ x2</p> 	<p>⑧ x4</p> 	<p>⑨ x2</p> 
<p>⑩ x2</p> 		

<p>A x52</p>  <p>Ø7x48 mm</p>	<p>B x24</p>  <p>M6x12 mm</p>	<p>C x16</p>  <p>M4x14 mm</p>	<p>D x4</p> 	<p>E x6</p>  <p>30mm</p>	<p>F x1</p>  <p>4mm</p>
---	--	--	---	--	--

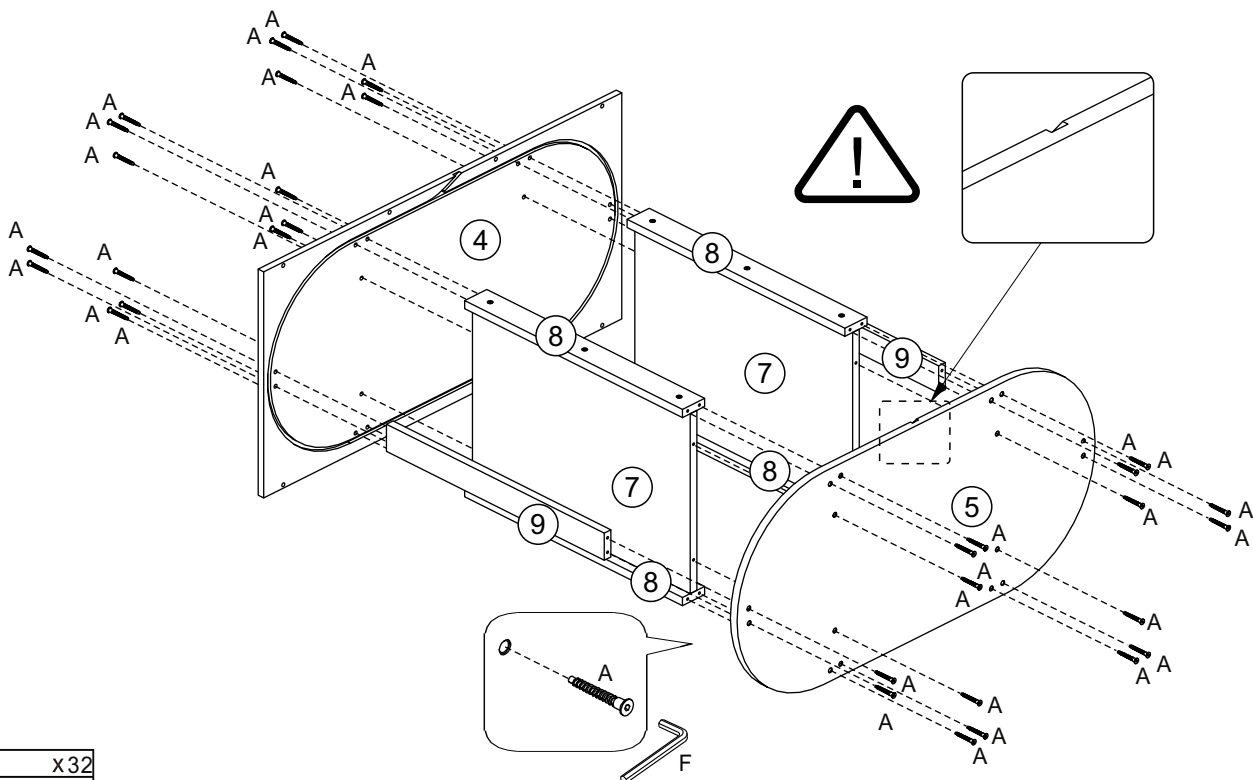
## 1




A	x12
	
Ø7x48 mm	

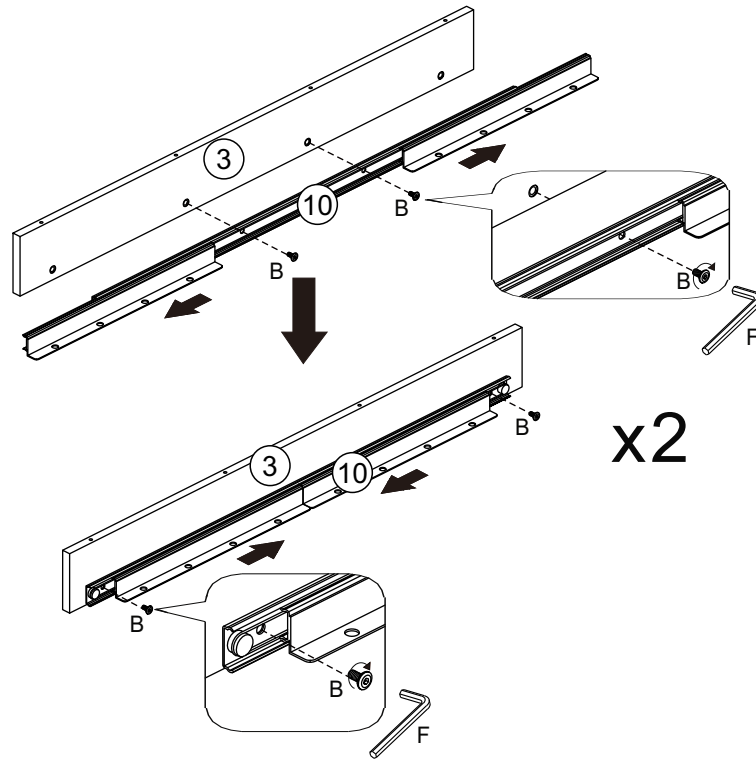
## 2


Note: The groove direction of Component 5 and Component 4 should be on the same side.



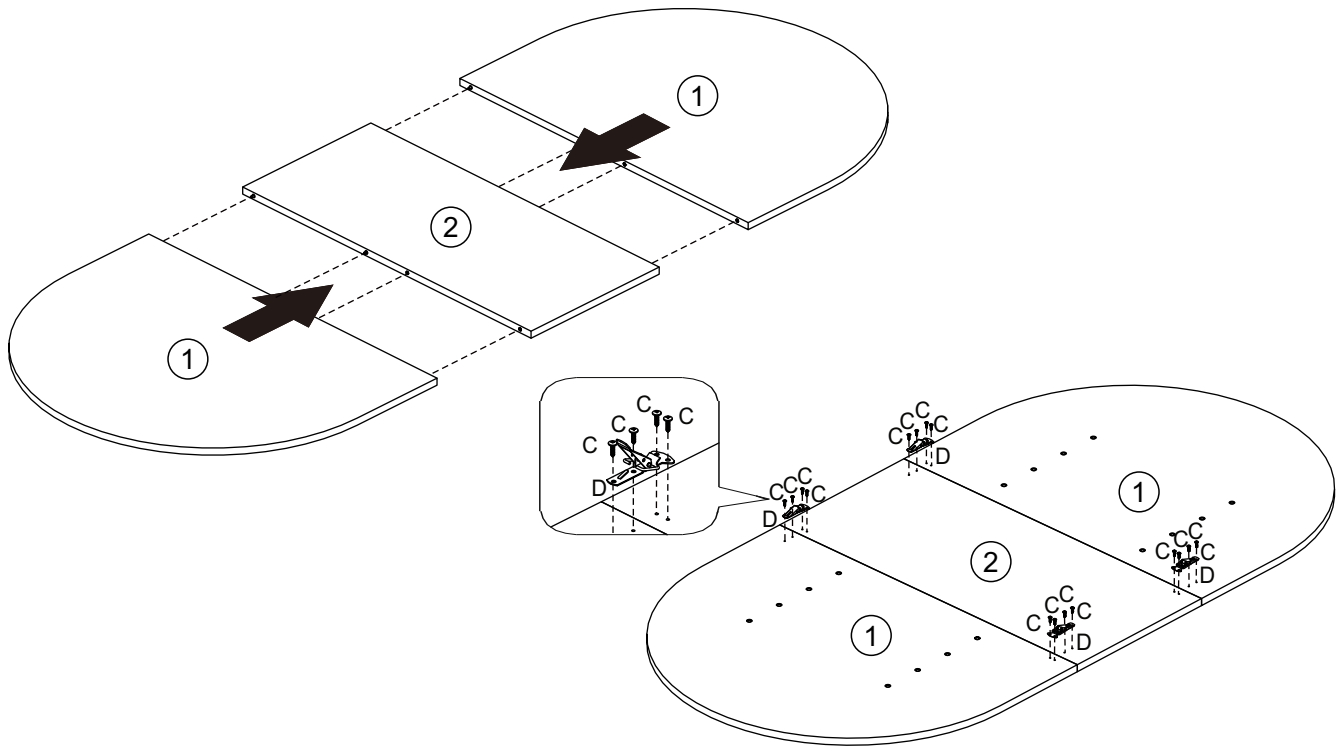
A	x32
	
Ø7x48 mm	


3




B	x8
	
M6x12 mm	

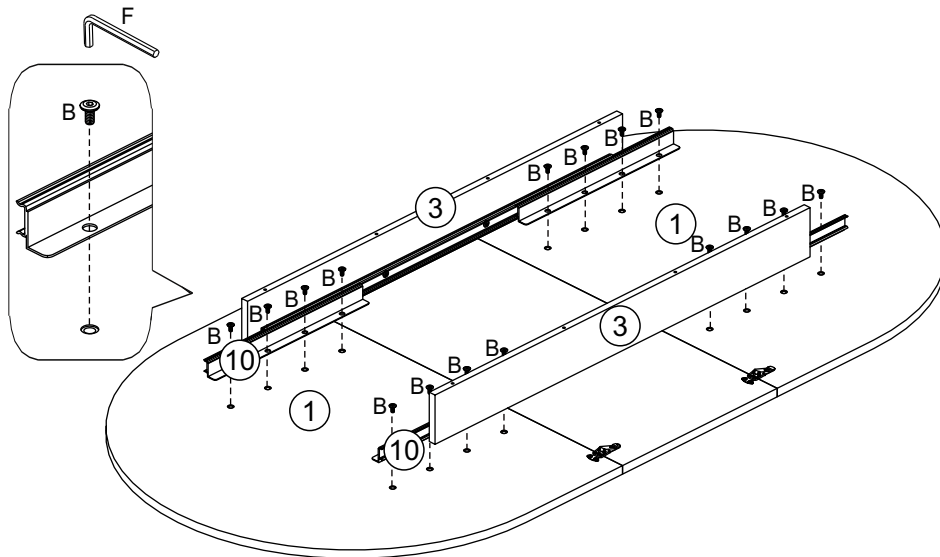
4




C	x16
	
M4x14 mm	

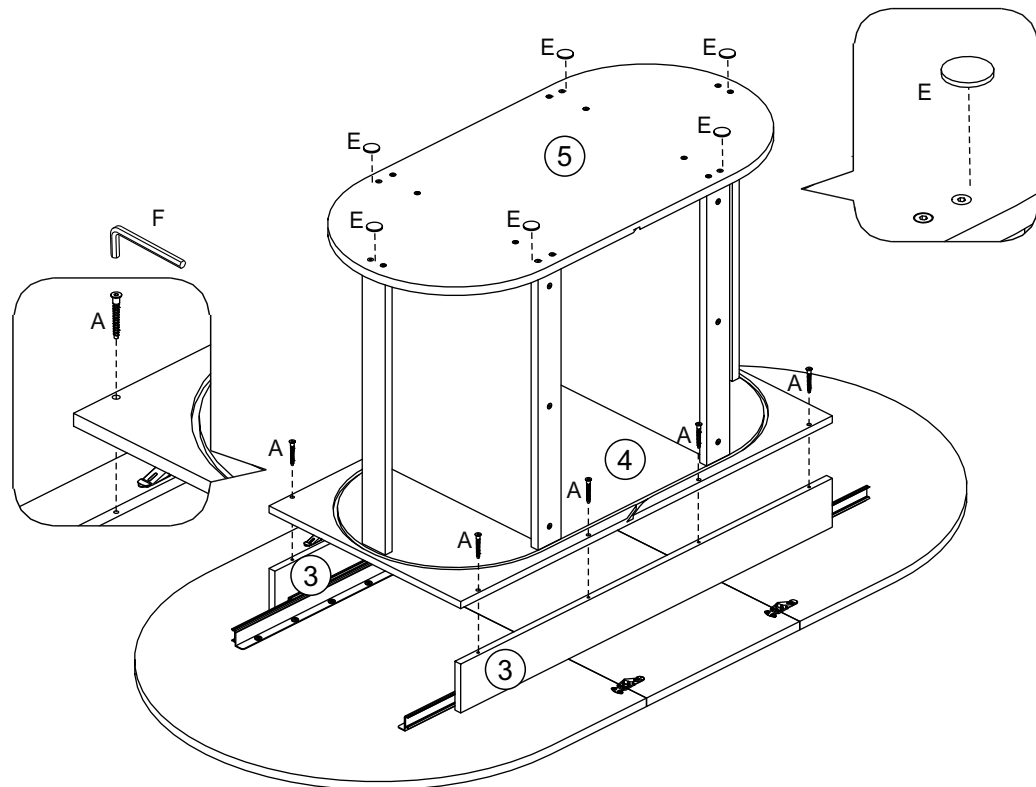
D	x4
	

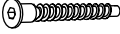
5




B	x16
	
M6x12 mm	

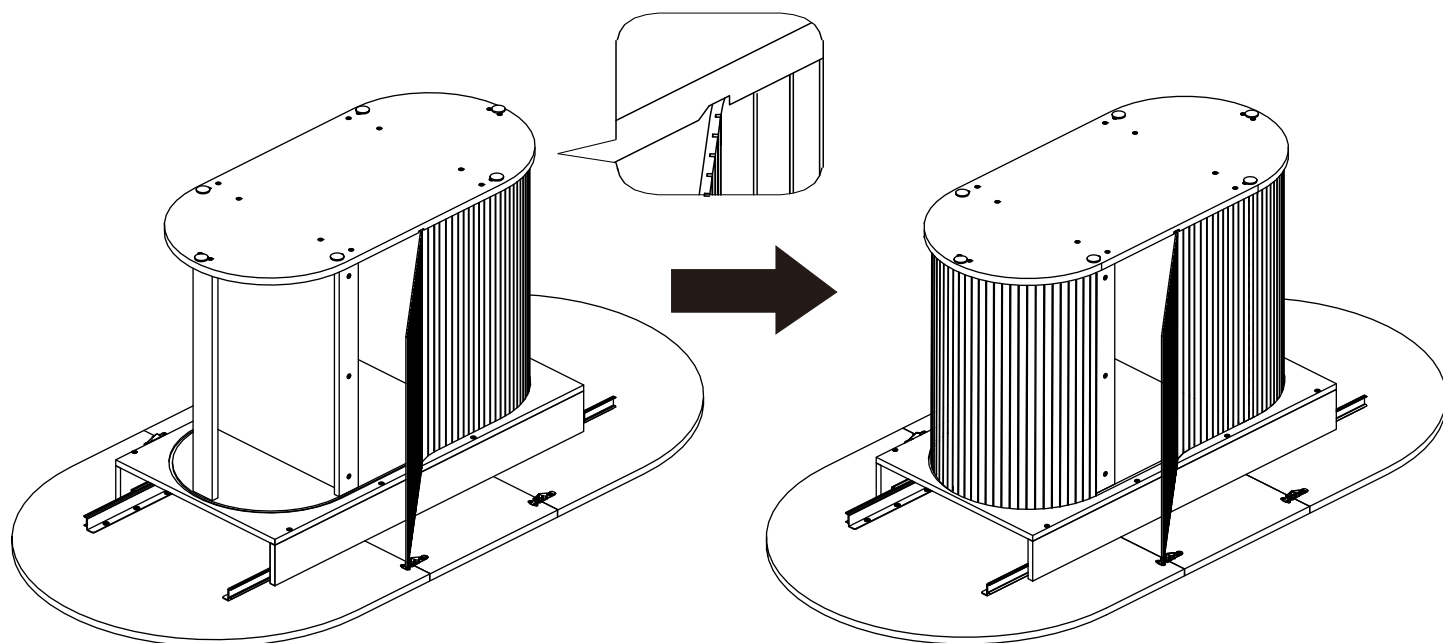
6



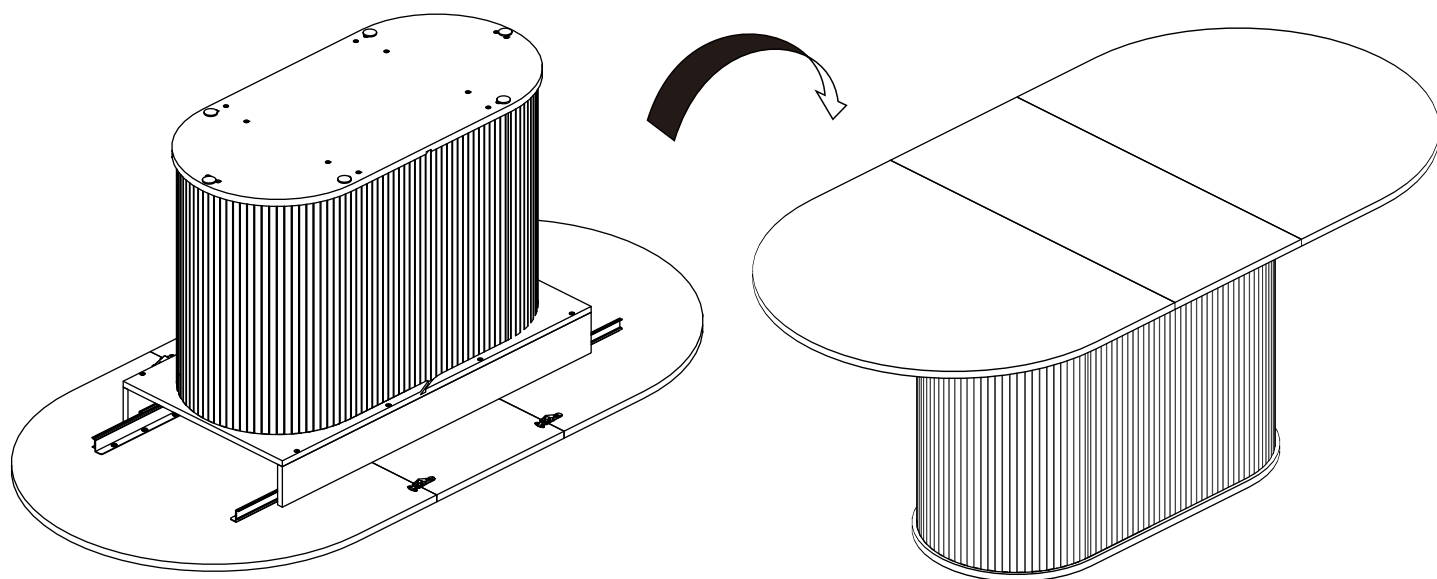
A	x8
	
Ø7x48 mm	

E	x6
	
30mm	

7



8



9

