


# WARNING!!

Children have died from furniture tipover. Tip restraints have been included with this product; you must install the tip restraints according to these instructions in order to minimize the risk of furniture tipping. If you have any questions about this product or the tip restraint, please send us an email at [tip\\_restraint\\_help@Noblehousefurniture.com](mailto:tip_restraint_help@Noblehousefurniture.com)

NEVER allow children to climb or hang on furniture, including drawers or cabinet doors.

In addition to installing the restrains, to help prevent tip-over

1. For use with televisions weighing 31.3 lbs or fewer. Use with heavier televisions may result in instability causing tip-over resulting in death or serious injury. NEVER use with CRT televisions.
2. Do not stand on the product.

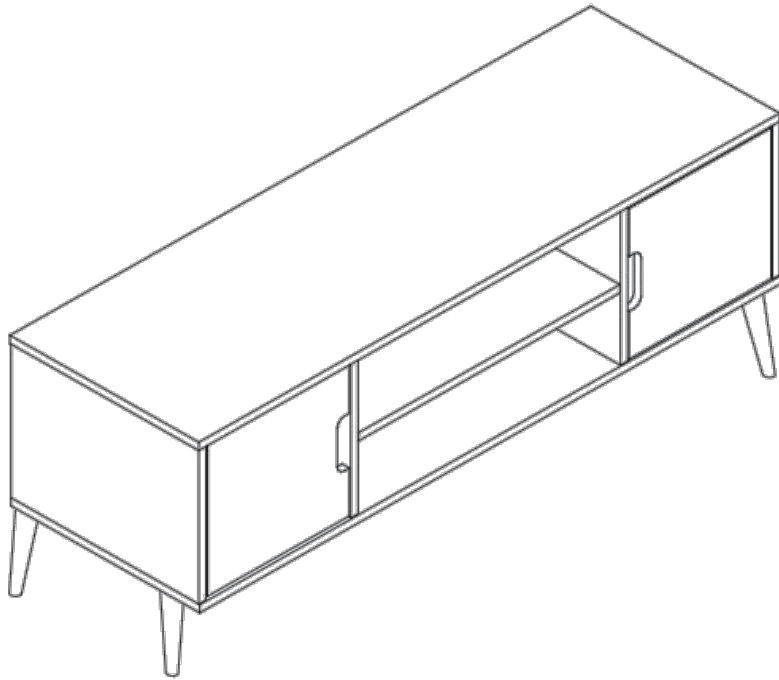
<b>⚠ WARNING</b>	
	<b>Children have died from furniture tipover.</b>
	<b>To reduce the risk of furniture tipover:</b> <ul style="list-style-type: none"><li>•ALWAYS install tipover restraint provided.</li><li>•For use with televisions weighing 31.3 lbs or fewer. Use with heavier televisions may result in instability causing tipover resulting in death or serious injury. NEVER use with CRT TVs</li><li>•NEVER allow children to stand,climb or hang on drawers, doors,or shelves.</li><li>•NEVER open more than one drawer at a time.</li><li>•Place heaviest items in the lowest drawers.</li><li>•Do not defeat or remove the drawer interlock system.</li></ul>
	<i>This is a permanent label. Do not remove!</i>

# Assembly Instructions

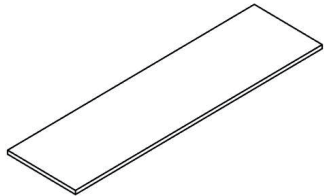
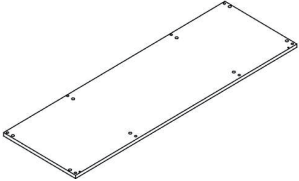
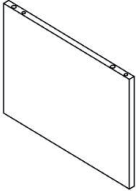
**Caution : You must read this before you proceed**

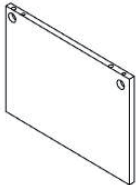
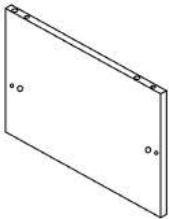
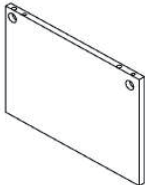
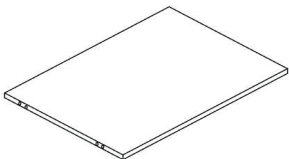
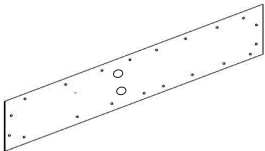
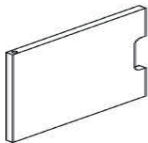
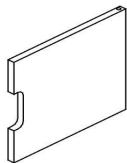


**Please look in the velcro pouch for hardware packs and legs**

## TV Stand






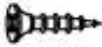




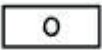
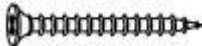



### Parts List






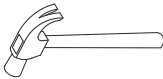
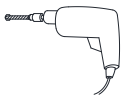
Label	Picture	Description	QTY
A		Top Panel	1
B		Bottom Panel	1
C		Left Side Panel	1

D		Middle Left Side Panel	1
E		Middle Right Side Panel	1
F		Right Side Panel	1
G		Shelf Panel	1
H		Back Panel	1
I		Left Door Panel	1
J		Right Door Panel	1
K		Leg	4
L		Support Leg	1

## Hardware

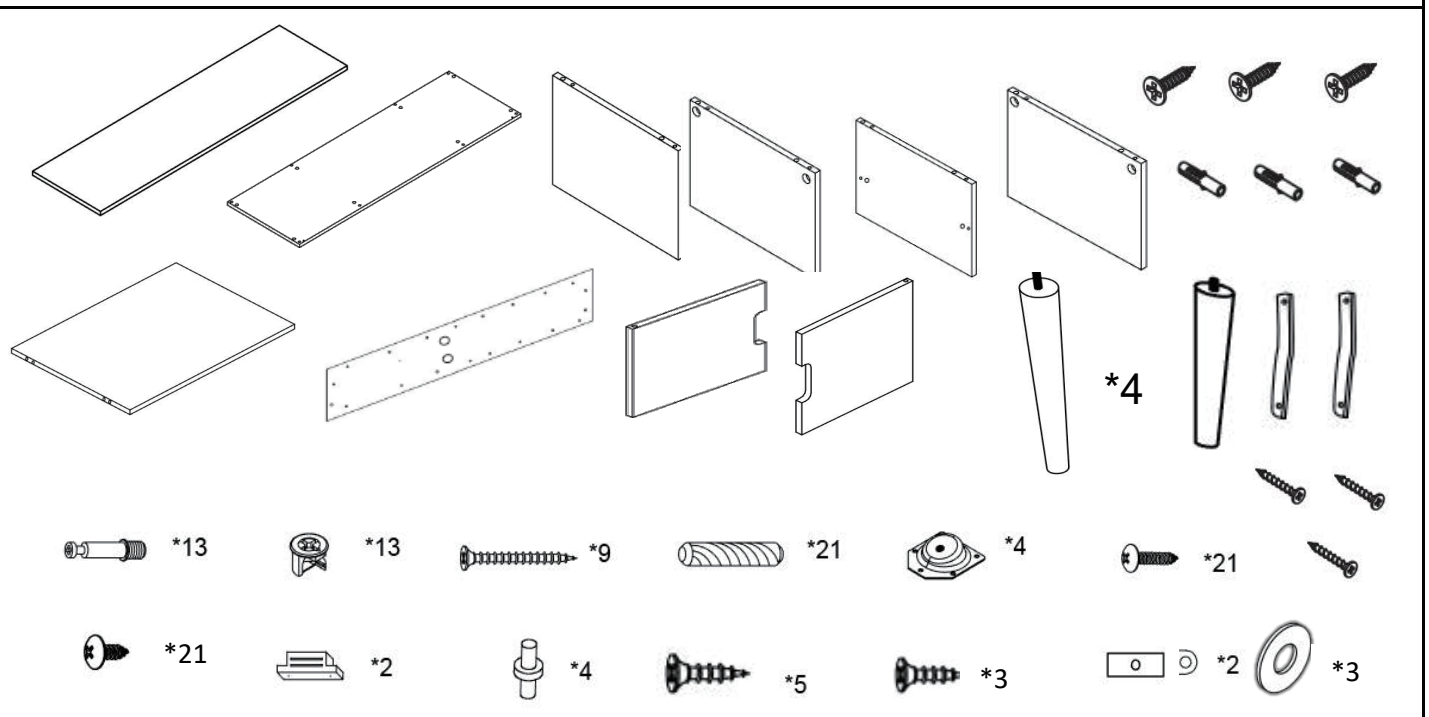
Label	Picture	Description	QTY
①		Cam Bolt	13
②		Dowel (M8X30mm)	21
③		Cam Nut	13
④		Screw (M3x12mm)	19
⑤		Screw (M4x15mm)	21
⑥		Screw (M3x14mm)	5
⑦		Screw (M3x12mm)	3
⑧		Metal Plate	4
⑨		Magnet	2
⑩		Door Pin	4
⑪		Magnetic Bar	2
⑫		Screw (M4x35mm)	9
⑬		Screwdriver (Not provided)	1

Restraint Device Hardware

⑭		Screw (M4x14mm)	3
⑮		Wall Anchor	3
⑯		Screw (M4x40mm)	3
⑰		Restraint Strap	2
⑱		Metal Gasket	5
⑲		Hammer (not provided)	1
⑳		Power Drill (not provided)	1

## Assembly Preparation

Before Beginning Assembly:





- Read instructions, cover to cover-



- Have 2 adults on hand for assembly-



- Do not assemble on flooring or carpet-



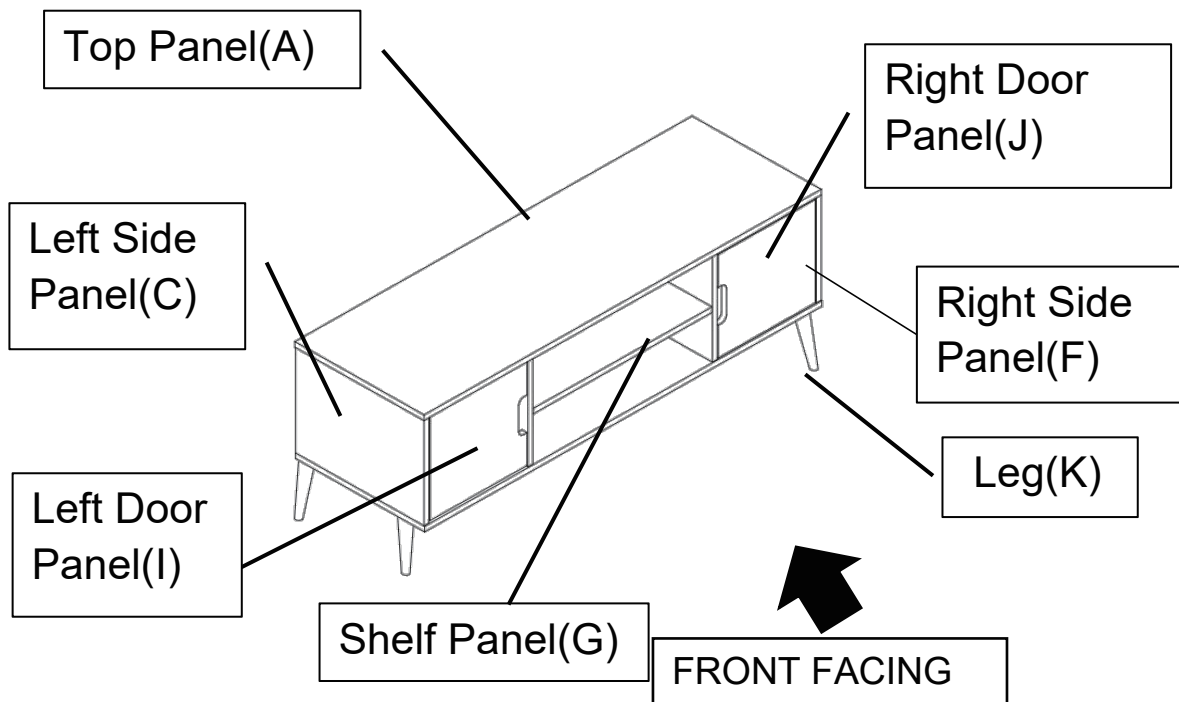
- Assemble on a clean non-marring surface (packing foam)-



- Save all packaging until finished-

## Assembly Steps

### Overview

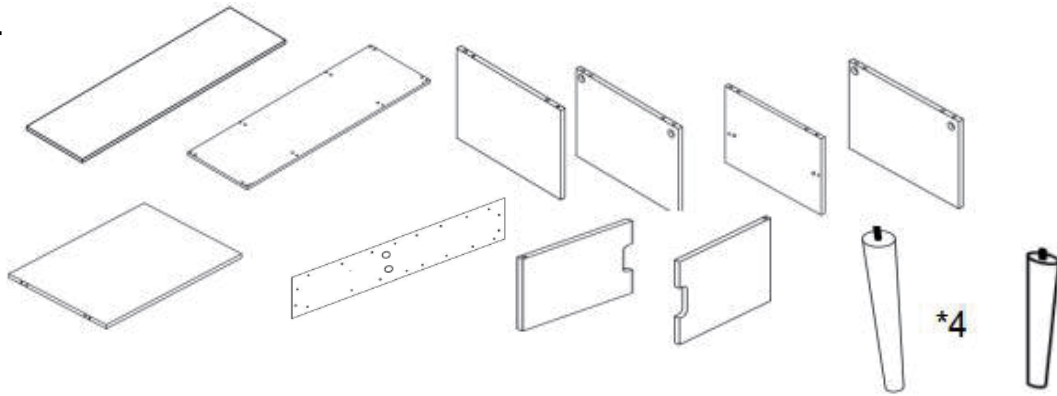


This TV Stand has multiple parts and may require up to 30 minutes to assemble.

To give you an overview of the TV Stand parts, the above picture is to help you put the various parts into perspective.

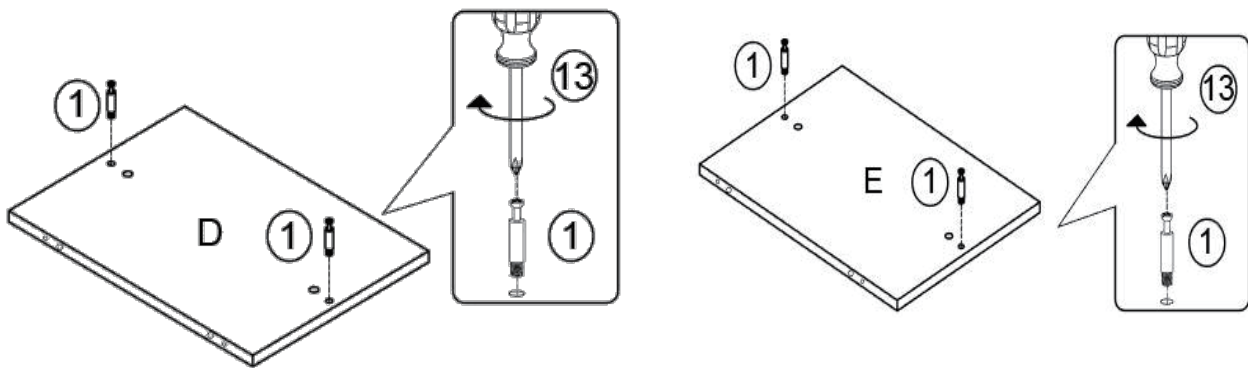
Please read through the instructions below to familiarise yourself with the parts and steps before assembly.

## Step 1



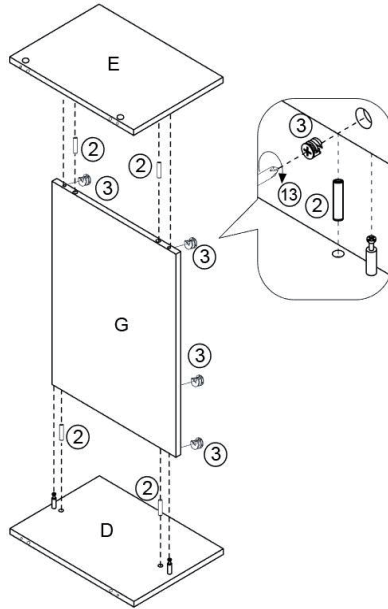
Unpack and place all parts on a clean, non-marring surface.

## Step 2



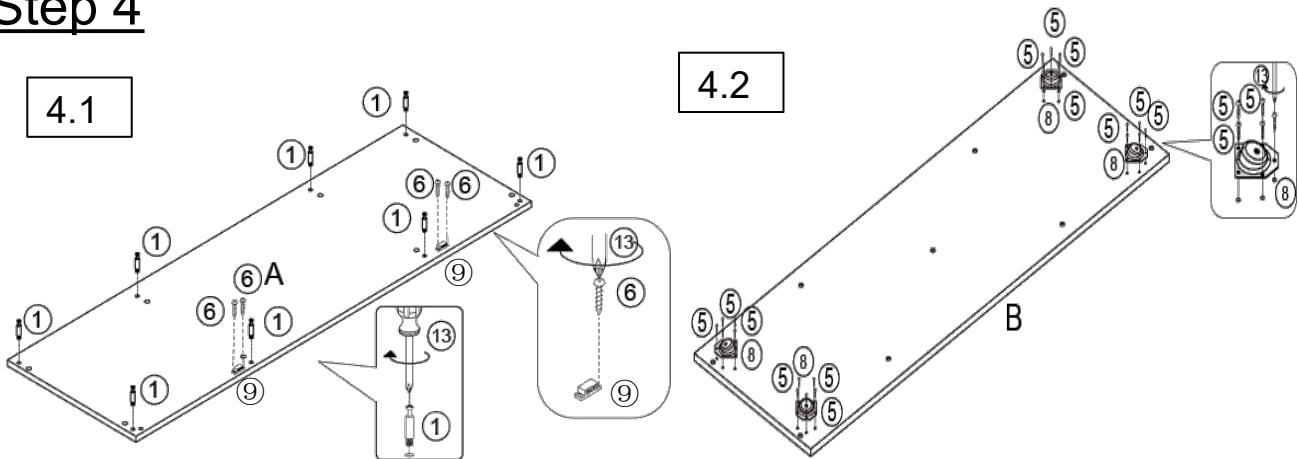
Insert Cam Bolt(①) into the mounting positions on Middle Left Side Panel(D) and Middle Right Side Panel(E) using Screwdriver(⑬) as shown.

### Step 3



Attach Middle Left Side Panel(D) to the Shelf Panel(G) with Dowel(②), then insert Cam Nut(③) into Shelf Panel(G) using Screwdriver(⑬). Attach Middle Right Side Panel(E) to the Shelf Panel(G) with Dowel(②), then insert Cam Nut(③) into Shelf Panel(G) using Screwdriver(⑬).

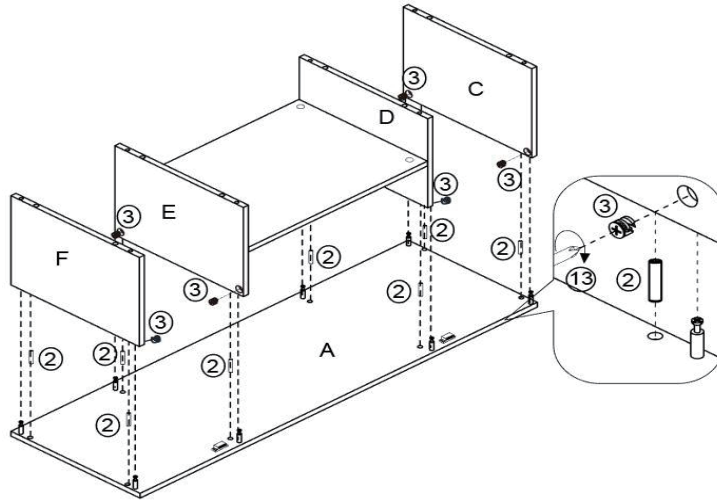
### Step 4



4.1) Insert Cam Bolt(①) into the mounting positions on Top Panel(A) using Screwdriver(⑬) as shown. Attach Magnet(⑨) to the Top Panel(A) using Screw(⑥) with Screwdriver(⑬) as shown.

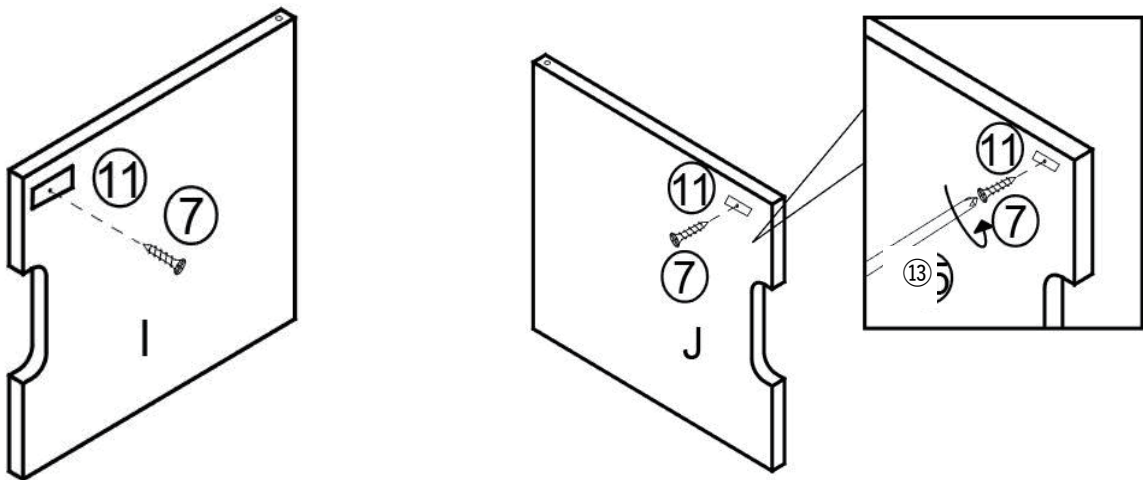
4.2) Attach Metal Plate(⑧) to the Bottom Panel(B) using Screw(⑤) with Screwdriver(⑬) as shown.

## Step 5



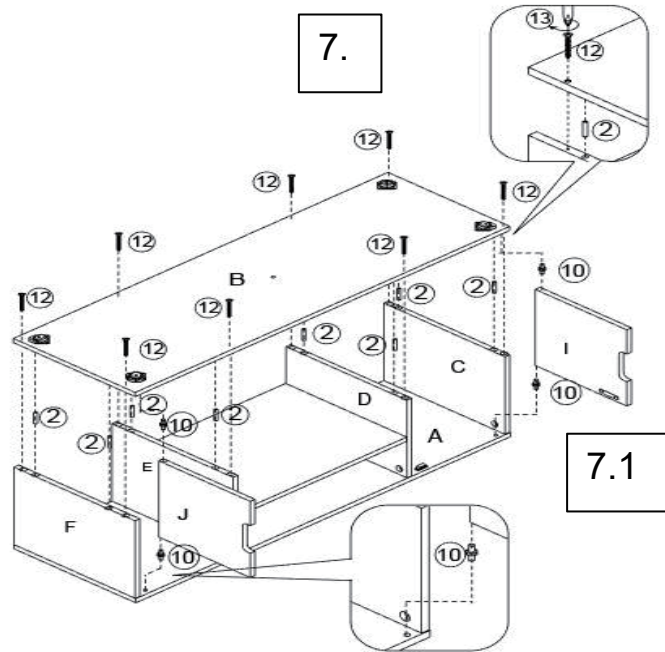
Attach Left Side Panel(C), Middle Left Side Panel(D), Middle Right Side Panel(E) and Right Side Panel(F) to the Top Panel(A) with Dowel(②), then insert Cam Nut(③) into Left Side Panel(C), Middle Left Side Panel(D), Middle Right Side Panel(E) and Right Side Panel(F) using Screwdriver(⑬) as shown.

## Step 6



Attach Magnetic Bar(⑪) to the Left Door Panel(I) and Right Door Panel(J) using Screw(⑦) with Screwdriver(⑬) as shown.

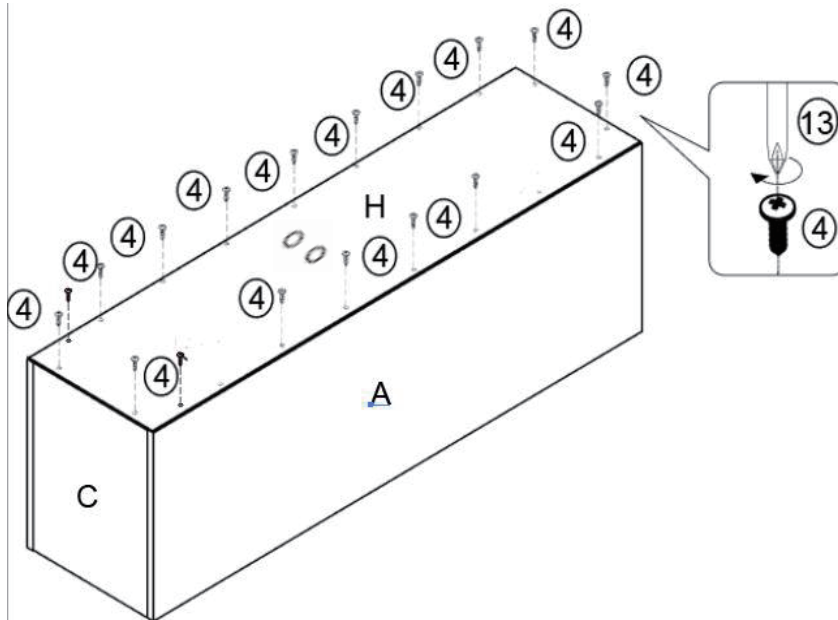
## Step 7



7.1) Attach Left Door Panel(I) and Right Door Panel(J) to the Top Panel(A) with Door Pin(⑩).

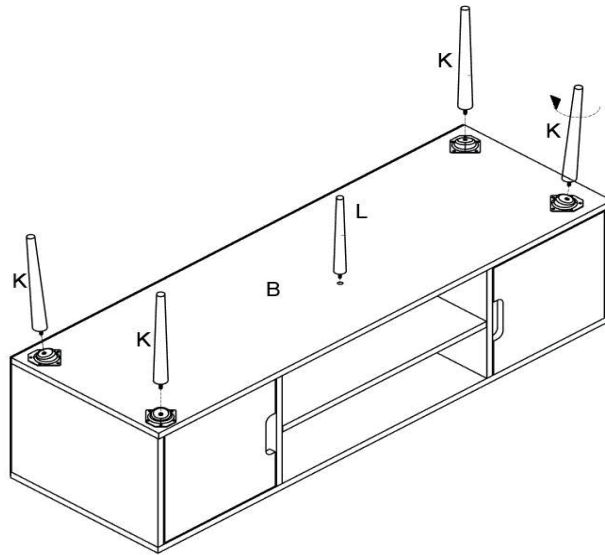
7.2) Attach Bottom Panel(B) to the Left Side Panel(C), Middle Left Side Panel(D), Middle Right Side Panel(E) Right Side Panel(F), Left Door Panel(I) and Right Door Panel(J) with Dowel(②), then insert Screw(⑫) into Bottom Panel(B) using Screwdriver(⑬) as shown.

## Step 8



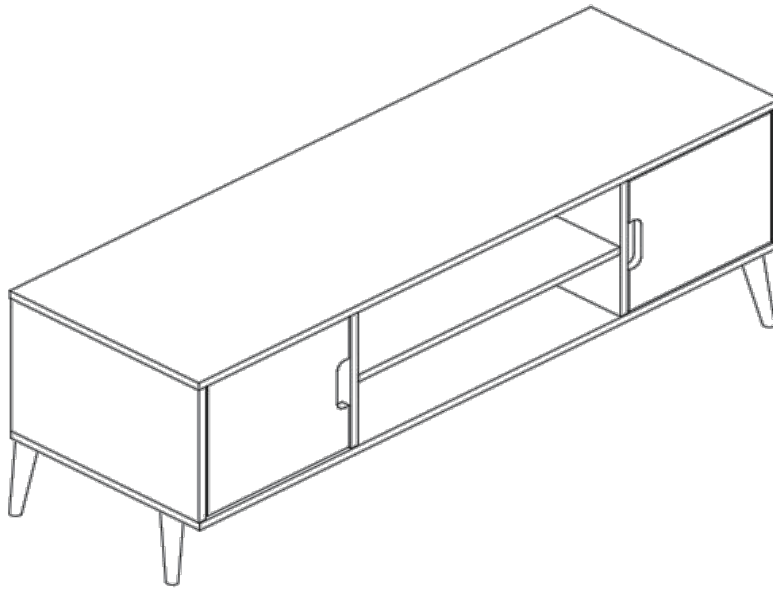
Attach Back Panel(H) to the Left Side Panel(C), Right Side Panel(F), Bottom Panel(B) and Top Panel(A) using Screw(④) with Screwdriver(⑬) as shown.

## Step 9



Attach Leg(K) and Support Leg(L) to the Bottom Panel(B), and then turn all legs clockwise to fasten them tightly.

## Step 10

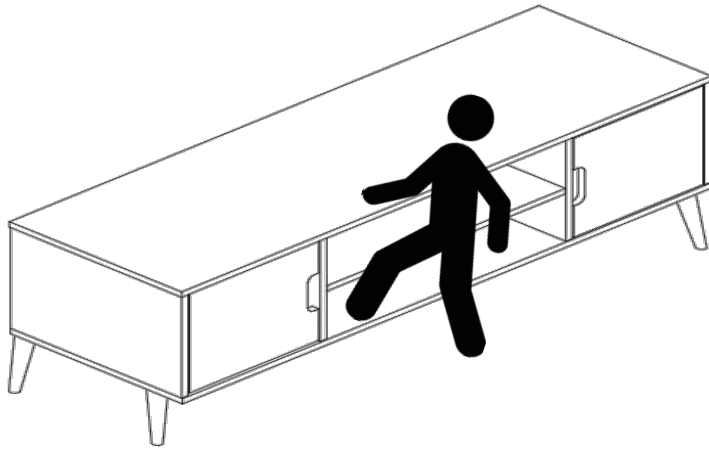


Your Tv Stand is ready for use.  
This Tv Stand can only be used on a flat,level surface.



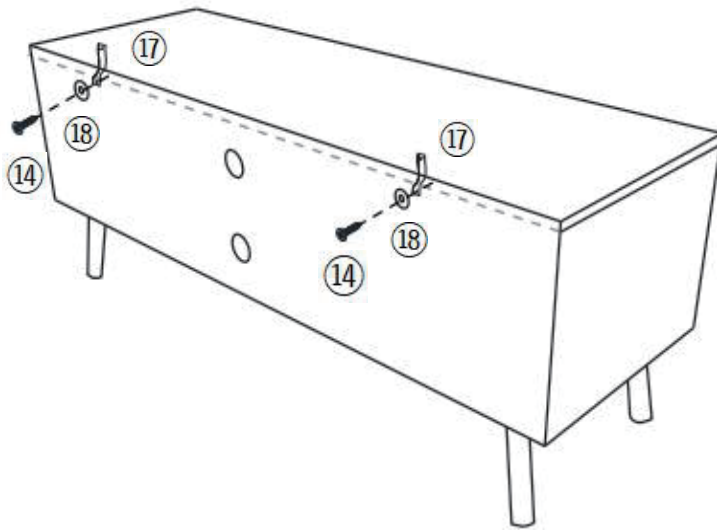
### **WARNING**

**Serious or fatal crushing injuries can occur from tipping furniture.To help prevent tip-over: ALWAYS secure this furniture to the wallusing Cabinet Restraint Device.See product instructions for more ways to help prevent furniture tip-over.**



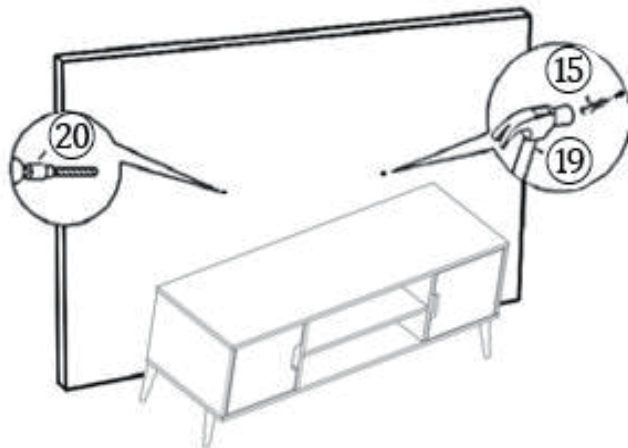
### Usage For Cabinet Restraint Device:

#### Step 11



Attach Restraint Strap(17) to the Top Panel(L) using Screw(14) and Metal Gasket(18) with Screwdriver(13).

#### Step 12



5.1) Drill two mounting positions on wall with Power Drill( 20 ).

You can mark these points in two ways as below:

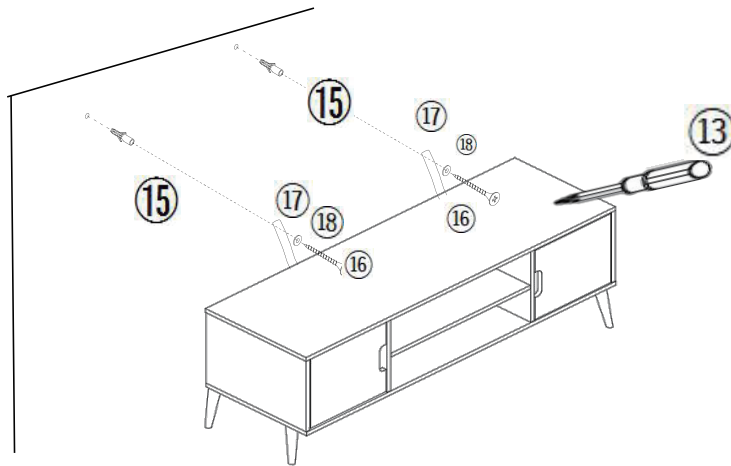
1) Move the Table back to the wall.

Note: The restraint strap need to be secured to solid, load bearing surface. Please use a Stud Finder(not supplied) if needed to locate the Wall Frame.

2) Measure the height of Restraint Strap (17) with ruler/measuring tape and mark on wall to keep them accurate and same height.

5.2) Insert Wall Anchor (15) into drilled mounting positions on wall with Hammer(19).

## Step 13



6.1) Attach Restraint Strap(17) to Wall Anchor (15) using Screws(16) and Metal Gasket(18) with Screwdriver(13).

Move Cabinet to the wall.

The Cabinet Restraint Device is installed.

## Care & Maintenance



- Furniture may scratch floors. We recommend using furniture pads to protect your floors.



- Do not put hot items directly on furniture surface.



- Do not clean furniture with harsh cleansers or polish.



- Do not place furniture under direct sunlight.



- Do not place furniture near heating or cooling vents.



- Do not write on furniture without a padded barrier to protect the surface.



- Do not place furniture outside . For indoor use only.



- Not for commercial use. For residential use only.



- Stains may be removed with mild soap solution and damp cloth.



- Children should not climb or jump on the furniture.



- Dust and pick-up spills using a clean, non-colored, lint-free cloth.