

INSTALLATION INSTRUCTION

SINGLE LEVER BASIN MIXER

*ACCESSORIES CHECKING

LIST OF THE STANDARD ACCESSORIES:

Please double-check the accessory list hereinafter and contact our company or our distributor for any unconformity.

Remarks:

1. Without affecting their performing, accessories may be changed without further notice;
2. Drawing for reference only, Product size & shape refer to actual faucet.
3. Thanks for choosing our products.

①	Main body	1
②	Fixation tube	1
③	Washer	2
④	Dedicated nut	1
⑤	G9/16" Connection Hose	2

*Installation Instructions

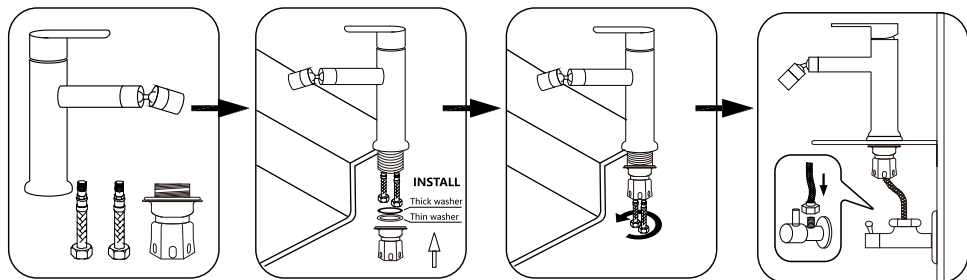
*Tips

1. Using condition: Working pressure at 0.05-0.65Mpa.
2. Applicable water temperature: 4-80 Celsius

Remark

1. To avoid the faucet from jamming, do flush the water pipe before installation;
2. After installation, make sure every joint safety sealed & no leaking;
3. To avoid the pipe rupturing, make sure that the pipe does not bend when you are using it;
4. Do not disassemble the main body, as it has been installed & commissioned correctly & precisely before leaving the factory.

*Installation Procedures:

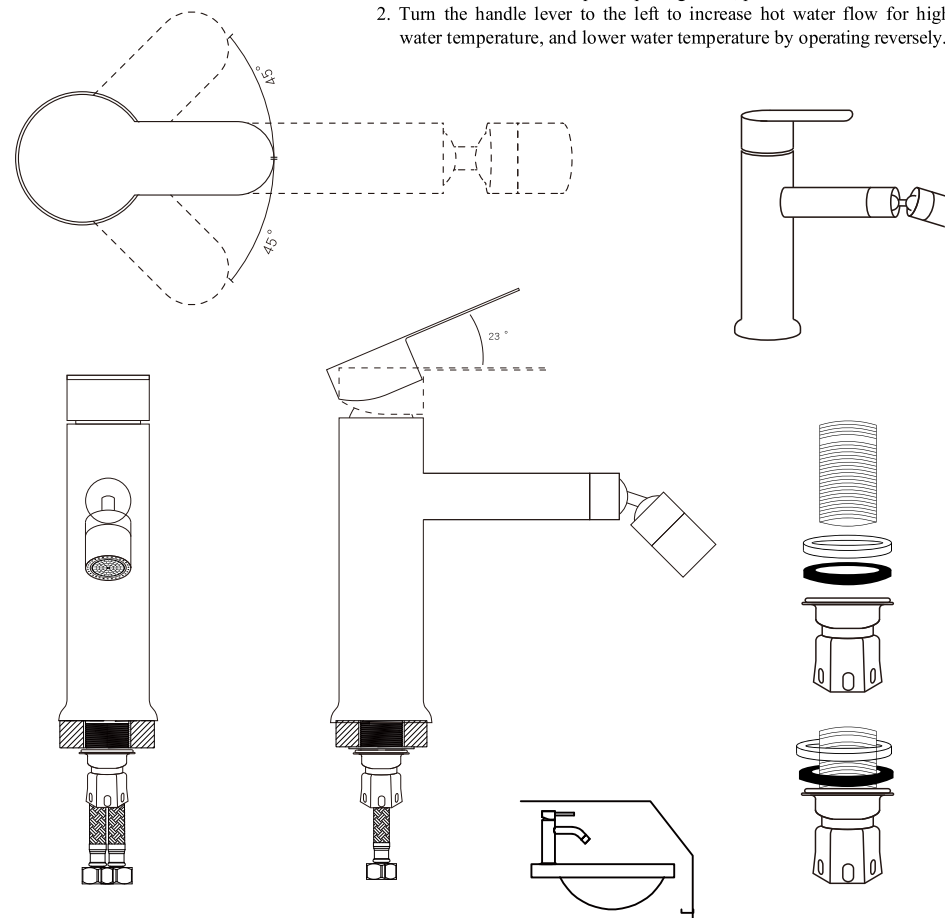


1. Prepare things according to the drawing, install and connect two hoses. And make sure the instructions for connecting the hose are the same as the handle.
 2. Connect the fixing tube and nut to the main body and the face plate according to the drawing.
 3. Connect the hot and cold water inlet pipes to the angle valves respectively.
 4. Tighten the nuts.
 5. After installation, boil water to check the tightness of each joint, and there is no leakage.
- Note: When fixing the faucet, do not tighten the screws too hard to prevent the ceramic from breaking.

*Usage:

How to operate the handle

1. Raise the handle lever up for opening water; push it down for close.
2. Turn the handle lever to the left to increase hot water flow for higher water temperature, and lower water temperature by operating reversely.



*Cleaning & Maintenance

To keep the product clean & shining, follow as below;

1. Flush with clean water & dry with soft cloth only;
2. If any dirt, clean with soft liquid or transparent glass detergent;
3. Do not use any scrubbing detergent, polisher, sane-cloth, paper tissue or scraper;
4. Do not use acid detergent, indiscoverable grain-like detergent or soap;
5. Circumrotate the aerator off and clean it when necessary.

