

PLAYSEAT®



**SETTING
EVERYONE
UP FOR**

**VIC
TO
RY**



CHALLENGE DD

F1® EDITION

ENGINEERED & DESIGNED IN THE NETHERLANDS

USER MANUAL

INTRODUCTION

CONGRATULATION WITH YOUR
NEW PLAYSEAT® CHALLENGE DD
YOU ARE NOW SET UP
FOR VICTORY!

PROUD OF OUR HERITAGE & PROUD OF OUR SHARED DNA

CHARLES
LECLERC



FERNANDO ALONSO



FERNANDO SMIT &
LEWIS HAMILTON



PARIS
HILTON



BRANDON
HARTLEY



MAX VERSTAPPEN



FERNANDO ALONSO



PLAYSEAT® 



& PROUD
OF OUR
SHARED
DNA



FERNANDO SMIT &
MAX VERSTAPPEN

PIERRE GASLY



NICO HULKENBERG
& CARLOS SAINZ



FERNANDO SMIT &
MAX VERSTAPPEN



Winning is not just about crossing the finish line first — it's a mindset, a way of showing up every day with purpose, passion, and a belief that no matter the challenge, success is always within reach for those who dare to keep going.

PLAYSEAT®

FERNANDO SMIT &
SEBASTIAN VETTEL

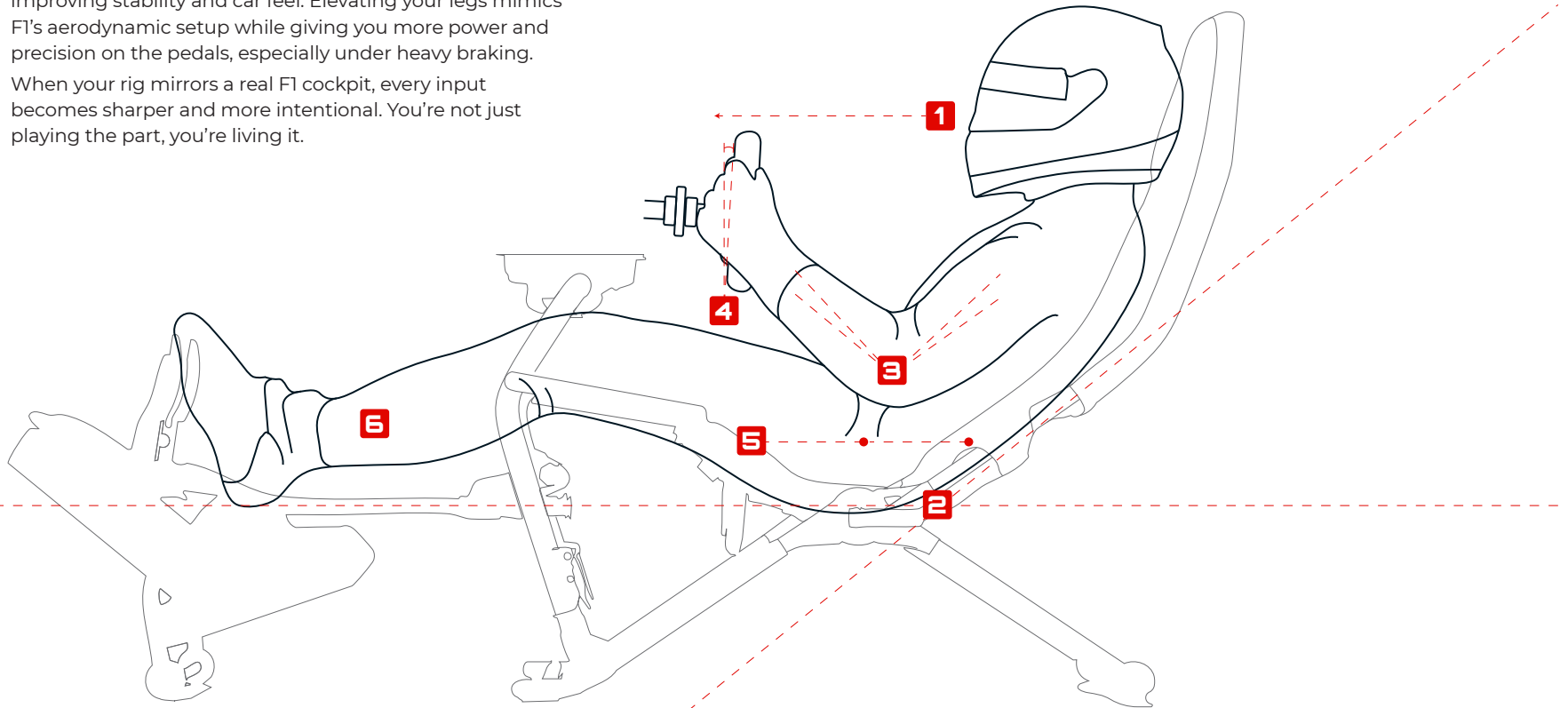


THE AUTHENTIC F1® RACING POSITION

F1® drivers use a low, reclined, feet-up position built for balance, control, and raw speed.

A reclined seating angle lowers your virtual center of gravity, improving stability and car feel. Elevating your legs mimics F1's aerodynamic setup while giving you more power and precision on the pedals, especially under heavy braking.

When your rig mirrors a real F1 cockpit, every input becomes sharper and more intentional. You're not just playing the part, you're living it.



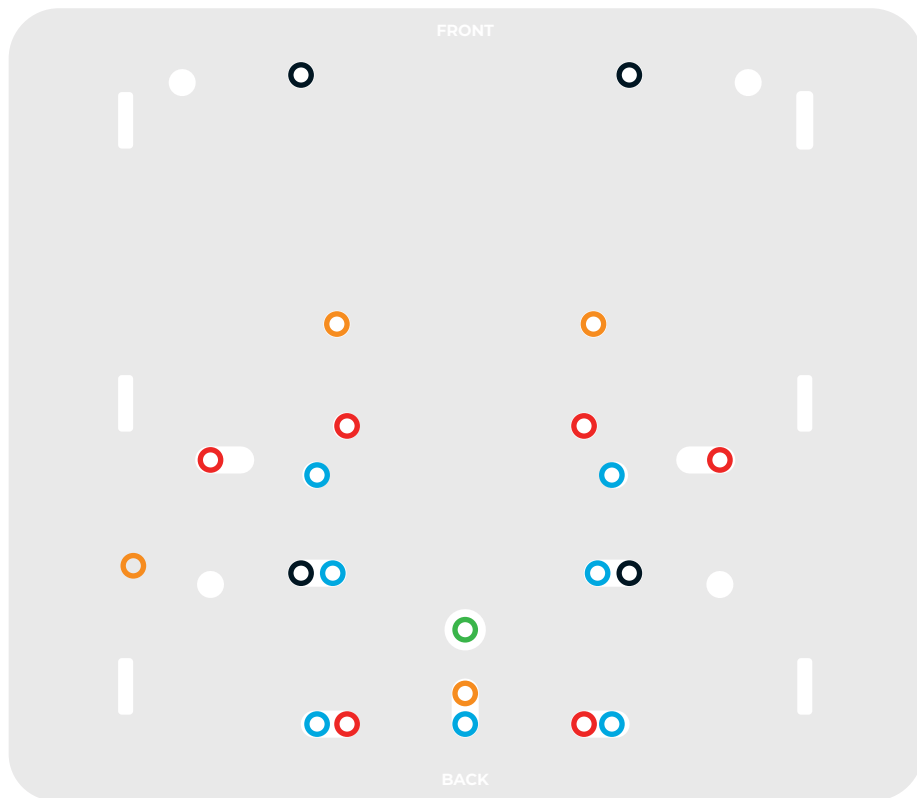
- 1** Eyes slightly above the steering wheel, just enough to have a good view of the track and surroundings.
- 2** The low, reclined seating position is a key part of the car's overall aerodynamic design, contributing significantly to its speed and performance.
- 3** Elbows should be bent at an angle between 90 and 100 degrees when in contact with the wheel.
- 4** The wheel itself is also tilted a few degrees towards the driver

5 The low seating position helps the driver exploit his hips and lower back to exert more force when braking, which is crucial for the intense braking zones in F1.

6 The driver's legs are positioned out in front and higher than their hips, which enhances the car's aerodynamic design by maximizing the airflow to the underside of the car for greater downforce.

Note: Playseat® has designed the Challenge DD with the whole family in mind and has therefore purposely chosen to slightly lower the leg position to maintain a healthy blood flow to the legs and feet.

STEERING PLATE MOUNTING OPTIONS



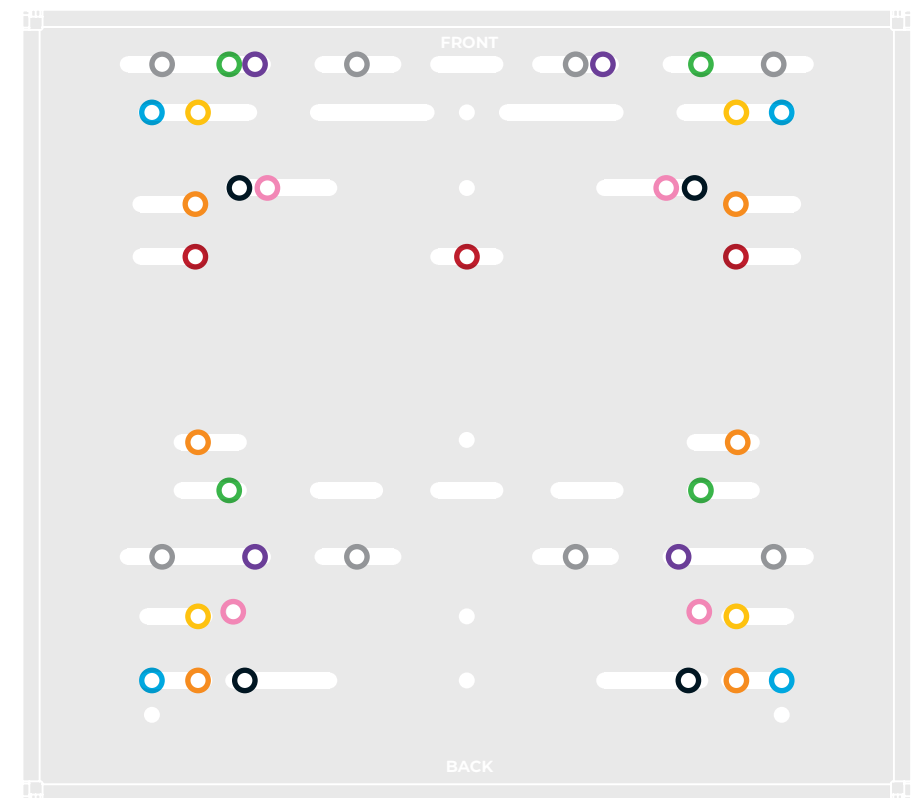
- Fanatec DD1, DD2
- Fanatec Club Sport
- Fanatec DD, DD+, DD Pro
- MOZA R9, R12, R16, R21
- MOZA R3, R5
- Simagic Alpha Mini, Alpha, Alpha Adapter 20210920_A01_#AA (CA3)

- Logitech PRO DD11
- Logitech G25, G27, G29, G920, G923
- Turtle Beach Velocity One

- Thrustmaster T598, T818
- Thrustmaster T248, T300, T500, T-GT, TS-PC, TS-XW
- Hori DLX

- Asetek La Prima
- Hori Apex

PEDAL PLATE MOUNTING OPTIONS



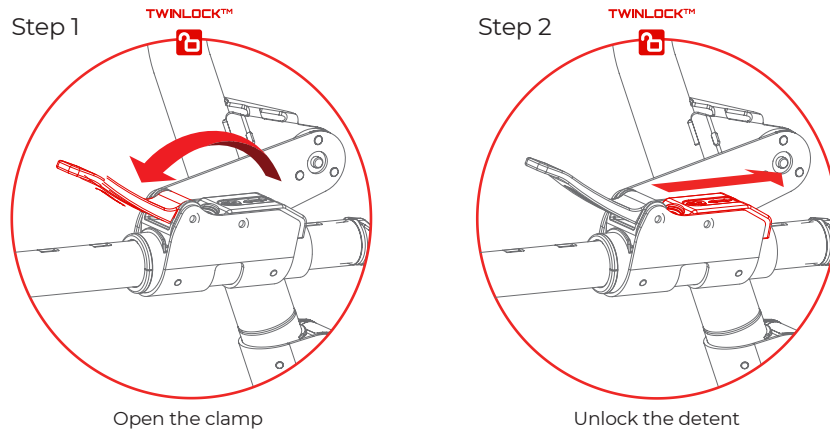
- Fanatec CSL Elite V2
- Fanatec Club Sport V3
- Fanatec CSL LC
- MOZA CRP 2
- MOZA SR-P, SR-P Lite
- Logitech G27, G29, G920, G923 PRO
- Heusinkveld Ultimate Baseplate
- Thrustmaster T80, T128, T150, T300
- Asetek La Prima Brake Throttle
- Asetek Forte S-Series Brake or Throttle
- Asetek La Prima Brake Throttle Clutch

- Thrustmaster T3PA
- Thrustmaster T3PA PRO
- Hori DLX
- Thrustmaster T3PM
- Thrustmaster T LCM
- Thrustmaster T3PM
- Thrustmaster Raceline LTE
- Heusinkveld Sprint Baseplate
- Turtle Beach Velocity One

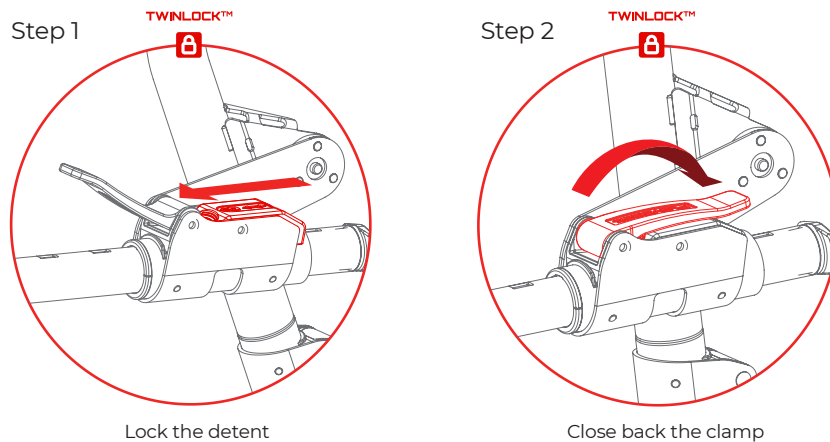
TWINLOCK™ FEATURE

The advanced TwinLock™ system is devised to ensure maximum rigidity by mechanically locking your racing position, while maintaining exceptional usability and full adjustability. Made to perform, it is ready for the demands of high performance gear, including Direct Drive wheel bases and load cell brake pedals.

To Open:



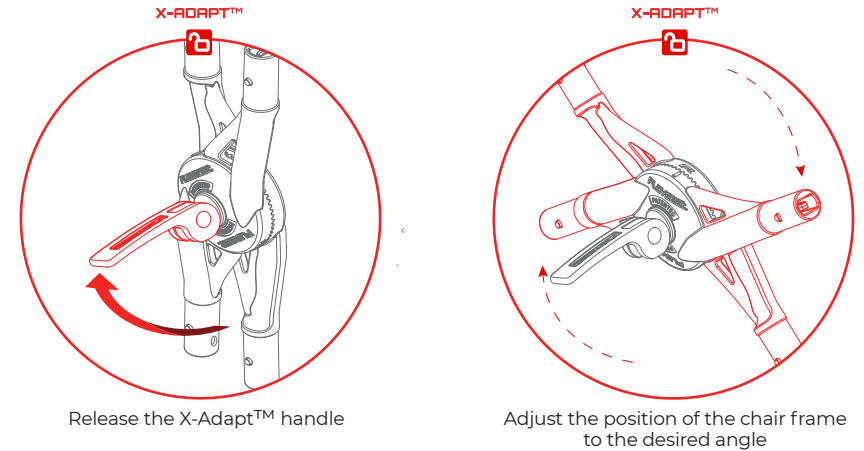
To Close:



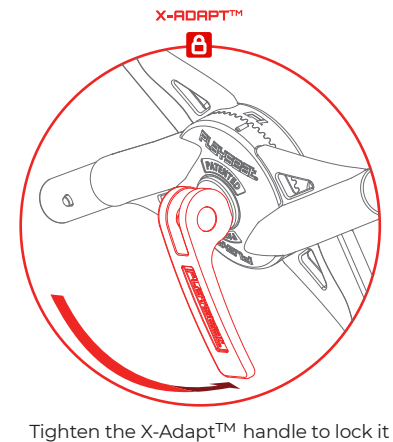
X-ADAPT™ FEATURE

Built for racing performance, the frame is constructed for maximum stability. With X-Adapt™ and Twinlock™ technology, you can fine-tune your formula racing position and lock it firmly in place for a rock-solid setup, allowing you to push your limits lap after lap.

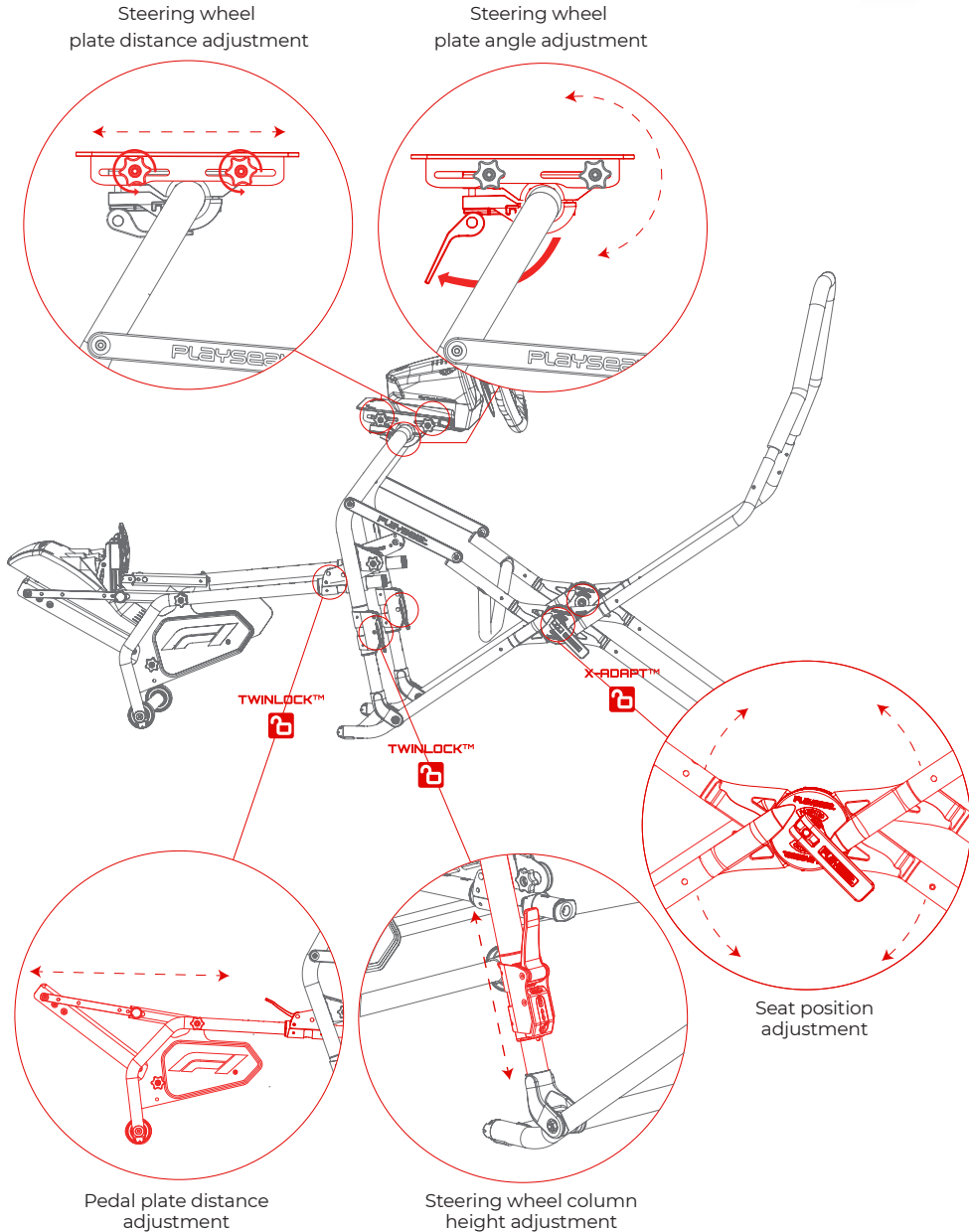
To Release:



To Lock:



SEAT ADJUSTMENT OPTIONS



TIPS & TRICKS

Tip 1: Unlocking the steering bar detent easily

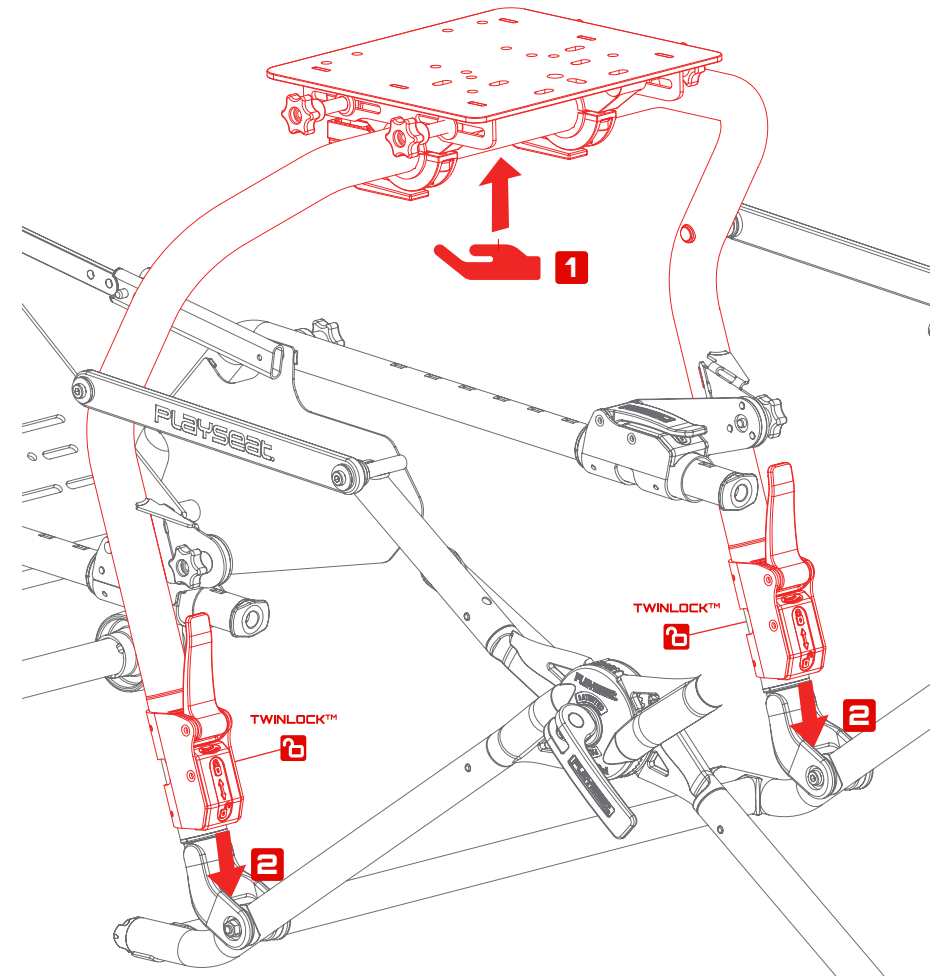
When you have a heavy wheel, unloading the steering wheel bar first will help you unlock the Twinlock™ detent easily.

Step 1:

Slightly lift the steering bar to release the tension on the Twinlock™ devices

Step 2:

Open both Twinlock detent.



TIPS & TRICKS

Tip 2:

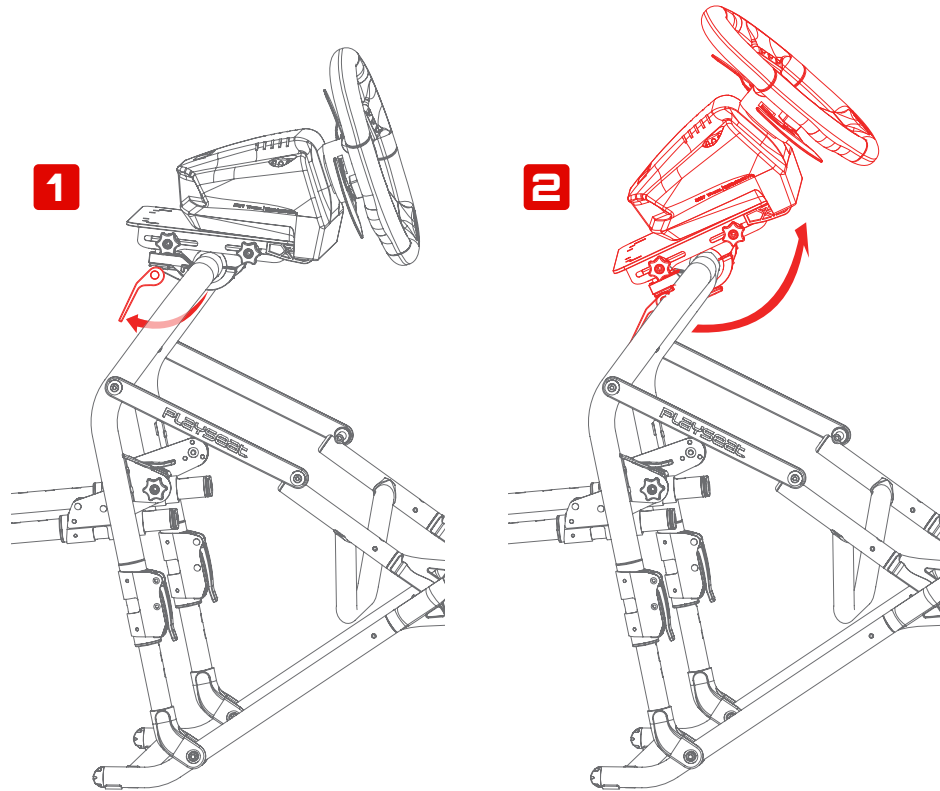
Getting in and out of the cockpit, Use the steering plate to pivot the wheel upward and create space to make it easier to get in and out.

Step 1:

Unlock the steering base clamp

Step 2:

When unlocked you can lift up the wheel assembly so its easy to get out of your seat



TWO FOLDING METHODS

Quick fold:

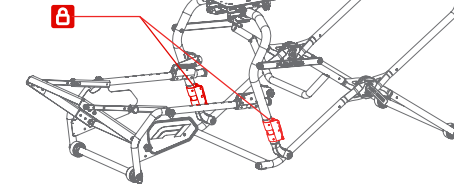
(Steering bar at any position)

This is the fastest and simplest method. It allows you to collapse the seat in just a few steps, making it easy to move or to put aside when you need extra space.

Step 1:

Lock the steering bar's Twinlock™ devices

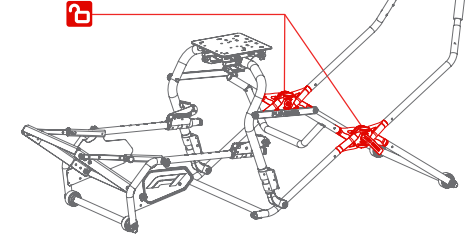
TWINLOCK™



Step 2:

Unlock X-Adapt™

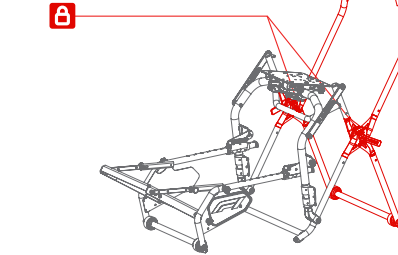
X-ADAPT™



Step 3:

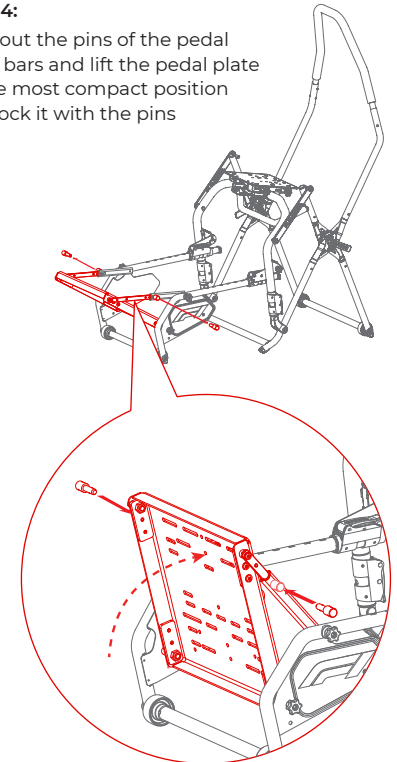
Fold the seat and lock X-Adapt™

X-ADAPT™



Step 4:

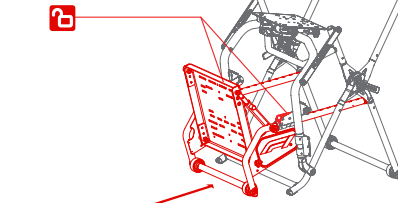
Take out the pins of the pedal plate bars and lift the pedal plate to the most compact position and lock it with the pins



Step 5:

Unlock both Twinlock™ and push the front frame to the most compact position

X-ADAPT™



TWO FOLDING METHODS

Compact fold:

(Steering bar at raised position)

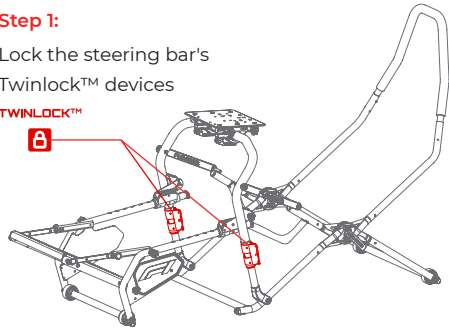
This method takes a little more time, but it reduces the seat to its smallest size. It is ideal for long-term storage, transport, or when you want to save as much space as possible.

Before folding: Raise the steering bar to its highest position.

Step 1:

Lock the steering bar's Twinlock™ devices

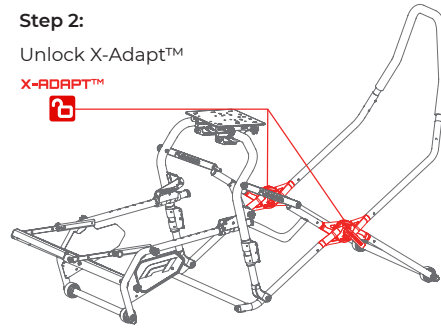
TWINLOCK™



Step 2:

Unlock X-Adapt™

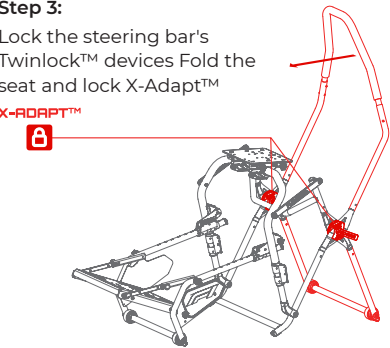
X-ADAPT™



Step 3:

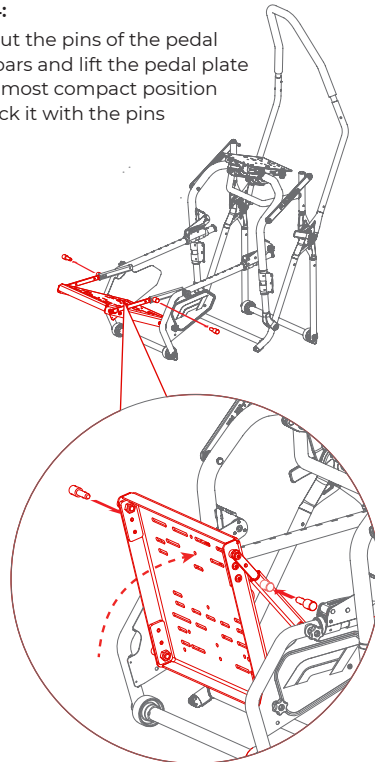
Lock the steering bar's Twinlock™ devices Fold the seat and lock X-Adapt™

X-ADAPT™



Step 4:

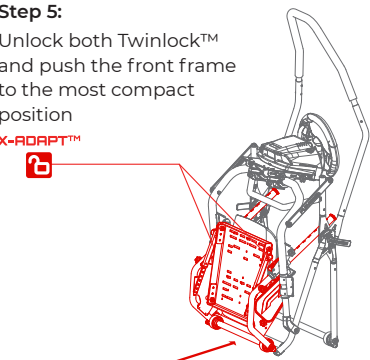
Take out the pins of the pedal plate bars and lift the pedal plate to the most compact position and lock it with the pins



Step 5:

Unlock both Twinlock™ and push the front frame to the most compact position

X-ADAPT™



If you require any support with your product, please contact our support team by filling out the form at playseat.com/support. Make sure to complete the form accurately so our team can review your case and assist you as quickly as possible.

WARNING



- Please do not use power tools for assembly as over tightening can damage your frame
- Do not adjust the X-Adapts while user is sitting in the cockpit. Make sure user is out of the cockpit before adjusting.
- Make sure the X-Adapts are tightened fully before using the cockpit.



WARNING

CHOKING HAZARD - Small parts not for children under 3 years or any individuals who have a tendency to place inedible objects in their mouths

GUARANTEE

Thank you for purchasing this product!

Playseat® guarantees this product to be free from defects in material and workmanship for a period of one year from time of its original purchase. Should such a defect occur during this period of guarantee, we shall repair or replace the product, or the defective part(s) thereof, free of charge. The decision as to the nature of such repair or replacement remains at the sole discretion of Playseat®.

This guarantee does not affect the consumer's statutory rights under applicable national laws.

This guarantee is valid:

- This guarantee is valid only upon presentation of the original proof of purchase and valid guarantee certificate, bearing the date of purchase and name of the retailer or supplier, together with the defective product. These documents are invalid if damaged or altered.

This guarantee is invalid if the product has been damaged as a result of any of the following.

- Commercial use (including rental or hire), accident, normal wear and tear or misuse. This shall include, but not be confined to, negligence in the use of the product for its intended purpose, failure to correctly follow the instructions for its use, maintenance or installation, and use of the product in any way which contravenes applicable local technical or safety standards.

- Any modification or change of any kind to the product for any reason whatsoever, and whether or not properly carried out.

Where permitted under applicable law, this guarantee constitutes your sole and exclusive legal resort in the event of breach of contract or breach of terms and conditions of supply, explicit or implicit, with respect to this product, and neither Playseat® nor its agents or suppliers shall be liable for any incidental or consequential loss not covered herein.

GARANTIE

Gefeliciteerd met uw aankoop van dit product.

Playseat® zal, voor een periode van 1 (één) jaar vanaf de oorspronkelijke datum van aankoop elk onderdeel van dit product gratis repareren of vervangen, indien het defect het gevolg is van beschadigde materialen of onvolkomen afwerking. Reparatie en/of vervanging geschiedt naar gelang van Playseat® keuze.

Deze garantie geldt naast uw wettige rechten als consument (onder de van toepassing zijnde wet) en tast die op geen enkele manier aan.

Deze garantie is slechts geldig:

- Wanneer de originele verkoopbon of factuur samen met uw garantiecertificaat (waarop de datum van aankoop en de naam van de detaillist/leverancier is aangegeven) wordt getoond, samen met het defecte product. Deze mag sinds de oorspronkelijke datum van aankoop niet zijn gewijzigd of beschadigd.

U kunt geen aanspraak maken op garantie wanneer het product is beschadigd als gevolg van:

- Commercieel gebruik (verhuur), een ongeluk, normale slijtage of misbruik (waaronder begrepen zonder beperking nalatigheid bij het gebruiken van dit product voor zijn normale doel en/of vervolgens instructies over juist gebruik, onderhoud, installatie of gebruik op een manier die tegenstrijdig is met de van toepassing zijnde, plaatselijke technische of veiligheidsstandaards).

- Enige aanpassing aan, of wijziging van, dit product, uitgevoerd om welke reden dan ook, al dan niet correct uitgevoerd.

Waar toegestaan onder de van toepassing zijnde wet, zal deze garantie uw enige en exclusieve rechtsmiddel zijn bij contactbreuk of conditiebreuk, uitdrukkelijk of impliciet, met betrekking tot dit product en noch Playeat's, of hun leverancier, zullen aansprakelijk zijn voor eventuele incidentele of gevolgschade.

Playseat

GARANTIE

Herzlichen Glückwunsch zum Kauf dieses Produkts.

Playseat® wird während des Zeitraums eines Jahres beginnend mit dem ursprünglichen Kaufdatum jedes Einzelteil dieses Produkts kostenlos reparieren oder austauschen, sofern der Defekt die Folge von Materialschäden oder Verarbeitungsängeln ist. Ob eine Reparatur und/oder ein Austausch erfolgt, liegt im Ermessen von Playseat®.

Diese Garantie gilt neben Ihren gesetzlichen Rechten als Verbraucher (nach geltender Rechtslage) und schränkt diese Rechte in keinerlei Hinsicht ein.

Diese Garantie ist nur unter folgender Bedingung gültig:

- Wenn der Original-Verkaufsbeleg bzw. die Rechnung zusammen mit Ihrer Garantibescheinigung (auf dem case des Kaufdatum und der Name des Einzelhändlers bzw. Lieferanten vermerkt ist) und dem schadhaften Produkt vorgelegt wird. Der Beleg darf seit dem ursprünglichen Kaufdatum nicht verändert oder beschädigt worden sein.

Ein Anspruch auf Garantie entfällt bei Beschädigungen am Produkt infolge von:

- Gewerblicher Nutzung (Vermietung), Unfall, normale Verschleiß oder unsachgemäßer Verwendung (hierunter fallen ohne Einschränkung Fahrfähigkeit bei Verwendung dieses Produkts für seinen normalen Verwendungszweck und/oder gemäß den Hinweisen zur ordnungsgemäßen Verwendung, Wartung, Installation oder die Verwendung auf eine Weise, die gegen die am Verwendungsort geltenden technischen Standards oder Sicherheitsstandards verstößt).

- Anpassungen oder Änderungen an diesem Produkt, unabhängig von Ihrem Grund und der korrekten bzw. nicht korrekten Ausführung.

Sofern nach geltendem Recht zulässig, stellt diese Garantie Ihr einziges und ausschließliches Rechtsmittel bei Vertragsbruch oder Nichteinhaltung ausdrücklicher oder stillschweigend geltender Bedingungen in Bezug auf dieses Produkt dar. Weder Playseat® noch sein Lieferant sind für eventuelle Neben- oder Folgeschäden haftbar.

GARANTIE

Félicitations pour l'achat de ce produit.

Playseat® s'engage, pour une période d'une (1) année à compter de la date d'achat initiale, à réparer ou remplacer gratuitement toute pièce défectueuse dans la mesure où le défaut constaté est consécutif à un vice de matériau ou de finition. La réparation et/ou le remplacement se font au gré de Playseat®.

La validité de la présente garantie (conformément aux règles légales en vigueur) n'altère en rien celle des autres droits usuels dont bénéficient les consommateurs.

L'étendue de la présente garantie est limitée aux:

- Produits pour lesquels peut être produit le bon d'achat ou la facture d'origine ainsi que le certificat de garantie (portant mention de la date d'achat et le nom du détaillant/fournisseur). Le produit présenté ne doit avoir été ni modifié ni endommagé depuis la date d'achat.

La garantie ne peut être invoquée lorsque le produit a subi un dommage suite à:

- L'utilisation commerciale (location), un accident, l'usure normale ou l'utilisation à mauvais escient (y compris entre autre la négligence en cours d'utilisation du produit pour sa finalité initiale et /ou conformément aux instructions d'utilisation correcte, de maintenance, d'installation ou d'utilisation d'une manière non conforme aux normes techniques ou de sécurité locales);

- Toute altération ou modification du produit effectuée pour quelque raison que ce soit, de façon correcte ou non.

Dans les cas où la loi applicable l'autorise, la présente garantie constitue le seul moyen de recours légal en cas d'enfreinte au contrat ou aux conditions, explicite ou implicite, ayant trait au produit et ni Playeat's ni ses fournisseurs ne pourront être tenus responsables d'éventuels dommages accidentels ou consécutifs.

GARANTÍA

Enhorabuena por la compra de este producto.

Playseat® se compromete a reparar o sustituir gratuitamente cualquier pieza de este producto en el plazo de 1 (uno) año a partir de la fecha original de compra, en caso de que el fallo se deba a materiales defectuosos o a errores de fabricación. La reparación y/o sustitución se efectuará según el criterio de Playseat®.

La presente garantía complementa sus derechos legales como consumidor (en virtud de la legislación en vigor) y no los afecta en modo alguno.

La presente garantía solo tendrá validez:

- Si se presenta el ticket de compra o la factura original acompañado del certificado de garantía (indicando la fecha de compra y el nombre del distribuidor / agente) junto con el producto defectuoso. El producto no deberá haber sufrido modificaciones o daños desde la fecha de compra original.

No podrá recurrir a la garantía cuando el producto este dañado como consecuencia de:

- Use comercial (alquiler), accidente, desgaste normal o uso indebido (incluyendo, a título de ejemplo, negligencia en el uso del producto para su finalidad normal y/o según las instrucciones para su uso, mantenimiento, instalación o uso correcto de modo que se contravengan las normas técnicas e de seguridad vigentes).

- Adaptaciones o modificaciones del producto realizadas por el motivo que fuere o de forma incorrecta.

En la medida en que la legislación lo permita, la presente garantía constituirá su único recurso jurídico en caso de infracción contractual o condicional, expreso o implícito, en relación con este producto y ni Playseat® o su distribuidor se harán responsables de los posible daños incidentales o consecuenciales.

GARANZIA

Grazie per avere acquistato questo prodotto.

Playseat® garantisce questo prodotto da difetti nei materiali e di fabbricazione per un periodo di 1 anno a partire dalla data di acquisto originale. Qualora si rilevi un difetto durante il periodo di garanzia, procederemo a riparare o sostituire gratuitamente il prodotto o le relative parti difettose. La decisione sulla natura della riparazione o della sostituzione è a esclusiva discrezione di Playseat®.

La presente garanzia non influisce sui diritti legali del consumatore tutelati dalle normative nazionali in vigore.

La presente garanzia è valida:

- La presente garanzia è valida solo su presentazione della prova di acquisto originale e di un certificato di garanzia valido che reca la data di acquisto e il nome del dettagliante o del fornitore, insieme al prodotto difettoso. Questi documenti non sono validi qualora siano danneggiati oppure alterati.

La presente garanzia non è valida se il prodotto è stato danneggiato in seguito a:

- Utilizzo commerciale (incluso il noleggio), incidente, normale usura o errato utilizzo. Sono inclusi in via esemplificativa, la negligenza nell'utilizzare il prodotto per scopi diversi da quelli indicati, la mancata osservanza delle istruzioni relativamente a utilizzo, manutenzione o installazione, e qualsiasi utilizzo del prodotto che contravenga agli standard tecnici o di sicurezza locali in vigore.

- Qualsiasi modifica o alterazione di qualsiasi tipo al prodotto per qualsivoglia motivo, correttamente eseguita o meno.

Laddove consentito dalla legislazione in vigore, questa garanzia costituisce l'unico ed esclusiva tutela del consumatore nel caso di violazione del contratto o dei termini e condizioni di fornitura, espliciti o impliciti, relativamente al presente prodotto e né Playseat® né i suoi agenti o fornitori saranno responsabili per qualsivoglia perdita incidentale o consequenziale non coperta dalla presente garanzia.

GARANTIA

Obrigado por adquirir este produto!

A Playseat® garante que este produto não apresenta defeitos materiais nem de fabrico e oferece um período de garantia de um ano a partir da data de compra original. No caso de o produto apresentar tais defeitos durante este período de garantia, nós procederemos a sua reparação, ou a reparação da(s) parte(s) do mesmo, gratuitamente. A Playseat® reserva-se o direito de decidir quanto à natureza de tal reparação ou substituição.

A presente garantia não afecta os direitos legais do consumidor no âmbito da legislação nacional aplicável.

Esta garantia é válida:

- Somente contra a apresentação da comprovação original de compra e do certificado de garantia válido, ostentando a data de compra e o nome do distribuidor ou fornecedor, juntamente com o produto defeituoso. Os documentos referidos serão considerados inválidos se se apresentarem danificados ou alterados.

A presente garantia deixará de ser válida se o produto tiver sido danificado como resultado de uma das seguintes opções:

- Uso comercial (incluindo aluguer), acidente, desgaste natural ou uso incorrecto. Tal deverá incluir, mas não se limitando a, negligência aquando da utilização do produto para o seu fim previsto, incumprimento das instruções de utilização, manutenção ou instalação, e utilização do produto de alguma forma que transgrida as normas locais técnicas e de segurança aplicáveis.

- Qualquer modificação ou alteração do produto, por qualquer razão, e se foi ou não correctamente implementada.

Nos termos da legislação aplicável, esta garantia constitui o seu único e exclusivo recurso legal no caso da rescisão do contrato ou violação dos termos e condições de fornecimento, explícita ou implícita, do que respeita este produto, e nem a Playseat® nem os seus agentes ou fornecedores serão responsáveis por qualquer incidente ou perda consequente não referidos aqui.

ГАРАНТИЯ

Благодарим за покупку данного изделия!

Playseat® гарантирует отсутствие в этом изделии дефектов материала и производственных дефектов на срок один год с момента покупки. При возникновении дефектов в течение указанного гарантийного срока мы бесплатно произведем ремонт либо замену изделия или неисправных деталей. Выбор способа ремонта или замены остается на усмотрение компании Playseat®.

Настоящие гарантии не затрагивает законных прав потребителей в рамках национального законодательства.

Действие гарантии:

- Данная гарантия действует только при предъявлении неисправного изделия вместе с оригиналом чека о покупке и действительным гарантийным талоном с указанием даты покупки и наименования магазина или поставщика. Данные документы недействительны в случае их повреждения или изменения.

Настоящая гарантия не действует в случае, если изделие было повреждено в результате следующих обстоятельств:

- Коммерческое использование (включая сдачу в аренду или напрокат), авария, нормальный износ или неправильное обращение. Сюда относится среди прочего небрежное обращение с изделием, несоблюдение инструкций по его применению, обслуживанию или установке, а также применение изделия с нарушением технических стандартов и правил техники безопасности.

- Любая модификация или изменение изделия в каких-либо целях, правильно или неправильно выполненное.

Если это допускает законодательство, данная гарантия представляет собой Ваше единственное и исключительное правовое средство в случае нарушения контракта или условий поставки, явного или скрытого, по отношению к данному изделию. Ни компания Playseat®, ни ее представители или поставщики не несут ответственности за какой-либо случайный или косвенный ущерб, не покрываемый данным документом.

GARANTII

Tänäme, et ostsite selle toote!

Playseat® tagab, et tema poolt valmistatud tooted puisisvad materjalide ja valmistamise vigadeta viiete aasta jooksul alates ostu kuupäevast. Kui sellise viga ilmneb garantiiperioodi jooksul, parandame või vahetame me toote või defektse(d) detaili(d) tasuta. Otsuse sellise remonti teostamise või detaili vahetamise kohta langetab Playseat® oma äranägemisel.

See garantii ei kitsenda siseriiklike õigusaktidega sätestatud tarbijaoigusi.

Garantii kehtivus:

- See garantii on jõus ainult juhul, kui koos defektse tooteaga esitatakse ostutšekki ja kehtivad garantiisertifikaadid, millele on märgitud estu sootamise kuupäev ja esamüüja või tarnija nimi. Kehtivateks loetakse vaid selliseid dokumente, mis on kahjustamata või mida pole muudetud.

See garantii on kehtetu, kui toote kahjustumine oli tingitud mõnest alljärgnevast asjastolust.

- Äriline otstarbel kasutamine (kaasa arvatud rentimine või üürimine), õnnetusjuhtum, füüsilise kulumine või väärkasutus. See hõlmab, kuid mitte ainult, toote sihipärase kasutamisega kaasnevat hooletust, kasutusjuhiste mittenoetekoost järgmist, hooldamist või paigaldamist ja toote kasutamist viisil, mis on vastustolu kohalike tehniliste - ja ohutusnormidega.

- Toote mis tahes modifikatsioon või muudatus, olenemata sellest, kas need tootmis- asjakohasel viisil või mitte.

Toote mis tahes modifikatsioon või muudatus, olenemata sellest, kas need tootmis- asjakohasel viisil või mitte.

Kui kohaldatavad seadused seda lubavad, on käesolev tootele antud garantii teie ainsaks juridiliseks kaitses lepingu või tarnetingimuste rikkumise vastu, otseselt või kaudselt, ja Playseat® ning tema esindajad ega tarnijad ei vastuta mis tahes juhuslikku või põhjuslikku laadi kahju eest, mida pole käesolevaga sätestatud.

GARANTIIJA

Pateicamies par šīs preces iegādi!

“Playseat®” dod viena gada garantiju no pārdošanas dienas, ka šai precei nebūs materiāla vai ražošanas defekti. Ja šajā garantijas laikā atklāsies kādi defekti, bēz mēkas tas izlabosim vai nomainīsim preci vai tā defektīvās detaļas. Lēmumu par vajadzīgo remontu vai nomainju pieņem vienīgi “Playseat®”.

Šī garantija neierobežo patērētāja likumīgās tiesības, ko nodrošina atbilstoše valsts likumi.

Šī garantija ir spēkā:

- Šī garantija ir spēkā tikai tad, ja kopā ar defektīvo preci uzrādā pirkumu apstipriņošo dokumentu un derīgu garantijas sertifikātu, kurā ierakstīts pārdošanas datums un pārdevēja vai piegādātāja nosaukums. Šie dokumenti nav derīgi, ja ir bojāti vai laboti.

Šī garantija nav spēkā, ja prece ir sabojāta šādas rīcības rezultātā:

- komerciaāli izmantošana (ieskaitot iznomāšanu vai izīrēšanu), nelaimes gadījums, normaāli nodilšana vai salūšana pareizas vai nepareizas lietošanas gaitā. Tas ietver, bet neaprobežojas ar neuzmanīgu preces lietošanu paredzētajam nolīkam; lietošana, arkopmes un instalācijas norādījumu neievērošana, kā arī ar preces izmantošanu tāda veidā, kas pārkāpi attiecīgās vietējās tehniskās vai drošības normas.

- Jebkāda preces modifcāšana vai izmaiņišana jebkādam nolīkam, neatkarīgi tā, vai tā ir veikta pareizi vai neparezi.

Ja to atļauj attiecīgie likumi, šī garantija ir Jūsu vienīgais un ekskluzīvais likumīgais pamats, ja attiecībā uz šo preci ir notikusi liguma salūšana vai piegādes nosacījumu u noteikumu pārkāpšana, izteikta arī domājama. “Playseat®”, tās pārstāvji vai piegādātāji nenes atbildību par jebkādam nejušiem vai izrietošiem zaudējumiem, kas šeit nav paredzēti.

GARANTIIJA

Dēkojame, kad nusipirkote šj gaminij!

Bendroše „Playseat®” vienierij metų laikotarpui nuo pirmojo pirkimo dātos suteiktia garantijā, kad šiamē gaminijne nepasireikš medžiagų ir pagaminimo defektų. Jei toks defektas pasireikštų garantinio laikotarpio metu, mes nemokamai suremontuosime arba pakeisime gaminij ar defektine ju dalij(-is). Sprendimē dėl tokio remonto arba pakeitimo budožiojio prima bendroše „Playseat®”.

Ši garantija neturi poveikio vartotojo teisėms, įgytoms pagal atitinkamus konkrečios šalies įstatymus.

Šios garantijos galiojimas:

- Ši garantija galioja tik pateikus pirkimo kvito originalų ir galiojantį garantijos pažymėjimą, kuriame nurodyta pirkimo data ir mažmeninis prekybos pardavėjo bei tiekėjo pavadinimas, kartu su defektiniu gaminij. Šie dokumentai negalioja, jei jie pažeisti arba juose alikti pakeitimai.

Ši garantija negalioja, jei gaminys buvo pažeistas dėl bet kurios iš toliau išvardytų priežasčių.

- Komercinio naudojimo (įskaitant nuomojimą), nelaimingo atsitikimo, įprastinio nusidėjimo arba netinkamo naudojimo. Netinkamas naudojimas (sąrašas neįsiamus) – tai gaminio naudojimas ne pagal paskirtij, naudojimo, prietūros ar įrengimo nurodymų nepaisymas, taip pat ir gaminio naudojimas pažeidžiant atitinkamus vietos techninius ar saugos standartus.

- Bet kokio gaminio modifikavim ar pakeitimē dėl bet kurios priežasties, nepaisant ar toks pakeitimas buvo atliktas tinkamai.

Kur leidžia atitinkami įstatymai, ši garantija yra jūsų vienintelė ir išskirtinė teisė teisūs su šiuo gaminij susijusiu sutarties pažeidimo ar pateikimo sąlygų atviro arba numanomo pažeidimo atveju, ir nei „Playseat®”, nei jos atstovai ar tiekėjai neatsako už tiai nenurodytus netyčinius ar kaip logiška pasekėnė pasireiškusius nuostolus.

GWARANCJA

Đziękujemy za zakup tego produktu!

Playseat® gwarantuje, że produkt będzie wolny od defektów materiałowych i wykonawczych przez okres jednego roku od daty pierwszego zakupu. Jeśli takie defekty wystąpią w okresie objętych gwarancją, bezpłatnie naprawimy lub wymienimy produkt, albo uszkodzone części produktu. Decyzją dotyczącą naprawy lub wymiany jest podejmowana przez Firmę Playseat®.

Gwarancja nie ma wpływu na prawa konsumenta zawarte w odpowiednich przepisach krajowych.

Niniejsza gwarancja jest ważna w następujących wypadkach:

- Gwarancja jest ważna tylko wraz z oryginalnym dowodem zakupu i ważną kartą gwarancyjną z datą zakupu oraz nazwą sprzedawcy lub dostawcy, a także wraz z uszkodzonym produktem. Wymienione dokumenty są nieważne, jeśli są zniszczone lub jeśli wprowadzono w nich zmiany.

Gwarancja traci ważność, jeśli produkt został uszkodzony w poniższych wypadkach.

- Jesli produkt był wykorzystywany komercyjnie (w tym w wypróczalnich), brał udział w wypadku, uszkodzenie wystapilo w wyniku normalnego zuycia lub uzytkowania niezgodnie z przeznaczeniem. Do tych wypadkow należą m.in. niedopilnowanie, aby produkt był uzytkowany zgodnie z zastosowaniem, nieprzestrzeżenie instrukcji obslugi, konserwacja lub instalacji oraz uzytkowanie produktu w sposob niezgodny z lokalnymi normami technicznymi i normami bezpieczerstwa.

- Jesli w produkcji wprowadzono jakiegokolwiek modyfikacje lub zmiany z jakichkolwiek przyczyn (nie ma znaczenia, czy zmiany te zostaly wprowadzone prawidlowo).

Jesli dopuszczca to obowiazujace prawo, niniejsza gwarancja stanowi jedyną podstawę prawną w wypadku świadomego lub niewiadomego złamania warunków umowy lub dostawy produktu. Firma Playseat® ani jej przedstawiciele lub dostawcy nie odpowiadają za przypadkowe lub wrótne straty, o których nie wspomina się w niniejszej gwarancji.

WARRANTY PAGES

WARRANTY PAGES

Playseat

ZÁRUKA

Děkujeme vám, že jste si koupili náš výrobek.

Firma Playseat® ručí za to, že je výrobek bez vady materiálu a zpracování po dobu jednoho roku od data nákupu. Dříve-li k takové vadě během doby záruky, zdarma opravíme nebo vyměníme tento výrobek nebo jeho vadné části. Rozhodnutí o způsobu takové opravy nebo výměny záleží čistě na firmě Playseat®.

Tato záruka nemá vliv na zákonná práva zákazníka podle příslušných národních zákonů.

Tato záruka platí:

- Tato záruka platí jen při předložení nákupního paragonu a platného záručního certifikátu, který obsahuje datum nákupu a jméno prodávce nebo dodavatele a při předložení vadného výrobku. Tyto dokumenty jsou neplatné v případě poškození nebo pozměnění.

Tato záruka je neplatná, jestliže byl výrobek poškozen následkem jakékoli z těchto příčin:

- Komerční užití (většně pronájmu nebo výpůjčky), nehoda, běžné opotřebení nebo nesprávné použití. To zahrnuje, ale není omezeno na nebedlé jednání při použití výrobku pro jiný než jeho zamýšlený účel, nedodržení návodu k použití, k údržbě nebo k sestavení a použití výrobku jakýmkoli jiným způsobem, který neodpovídá příslušným místním technickým nebo bezpečnostním normám.

- Jakákoli úprava nebo změna výrobku z jakékoli příčiny, bez ohledu na to, zda byla provedena správně nebo ne.

Kde to umožňují příslušné zákony, tato záruka stanovuje váš jediný a výhradní právní prostředek v případě porušení smlouvy nebo porušení náležitostí a podmínek při dodání, výslovně nebo nepředpokladně, s ohledem na tento výrobek a firmu Playseat®, ani její prodejci nebo dodavateli nejsou odpovědní za jakoukoli nahodilou nebo nepřímou ztrátu, která zde není uvedená.

保証書

本製品をご購入いただきありがとうございます。

プレイシートは、本製品をご購入されてから1年間、資材と製造技術に欠陥がない製品であることを保証します。本保証期間中に万一年陥が生じた場合には、無償で製品またはその欠陥部品を修理あるいは交換致します。修理あるいは交換に関する決定は、プレイシートに独自の裁量権があります。

この保証書は、該当する国内法令における消費者の法定の権利に影響を与えません。

本保証書では以下のことが適用されます。

- この保証書は、欠陥製品の購入日および小売業者または納入業者の名前が記載されている直接の購入証明書および有効な保証書を提出された場合のみに適用されます。書類が破損したり変更されたりしている場合は無効です。

本製品が以下のいずれかの結果により破損した場合は、本保証書は無効です。

- 商用（レンタルまたは賃貸など）、事故、通常の損耗、または誤用。本保証書は、その本来の目的で製品を使用していない、使用、保守あるいは取り付けマニュアルに正しく従っていない、および該当する国内の技術基準または安全基準を遵守して製品を使用していない場合に適用されますが、制限されるものではありません。

- 理由に拘らず製品に少しでも改造または変更。それが適切に実行されているか否かは問いません。

適用法に該当する場合、この保証書は、契約違反、または本製品の供給に関する明示的または黙示的な契約条件の違反について唯一、独自の合法的手段を構成します。また、プレイシートあるいはその代理店または納入業者もここに記載されないあらゆる付随的または間接損害に対して責任はありません。

Playseat

保証書

感謝您購買本產品!

自購買日起一年期內, Playseat 提供本產品之材料與製作瑕疵免費保固。若此等瑕疵於保固期間發生, 我們將免費修理或更換本產品或瑕疵零件。此等修理或替換之決策由 Playseat 酌情處理。

本保證書不影響相關國家法律賦予消費者的法定權利。

本保證書的有效條件如下:

- 必須同時出示原始購買證明、印有購買日期與零售店或供應商名稱的有效保證憑據以及瑕疵商品, 保證書始能生效。相關文件若損壞或塗改則屬無效。

若產品因下列原因而受損, 則本保證書將視為無效:

- 商業用途（包括出租或租用）、意外、正常磨損或錯誤使用其中應包括但不限於, 因特定目的使用產品時有所疏忽、未能正確遵循使用、保養或安裝方法、以及使用產品的方式違反當地適用的技術或安全標準。

- 因任意原因對產品進行任何修改或更改, 無論是否正確執行

在適用法律允許的情況下, 若有違反合約或違反本產品之供應條款與細則者, 不論是明示或暗示者, 本保證書是您獨一無二的法律憑藉, Playseat 或其代理商或供應商不負責任何在此未包含之非主要或間接損失。

JAMINAN

Kami mengucapkan terima kasih karena Anda telah membeli produk ini!

Playseat® menjamin bahwa produk ini terbebas dari bahan baku atau hasil kerja yang cacat dalam waktu satu tahu sejak tanggal pembelian awal. Seandainya terdapat kerusakan selama masa garansi, kami akan memperbaiki atau mengganti produk tersebut, ataupun suku cadang yang cacat tanpa dikenakan biaya. Keputusan dalam cara perbaikan atau penggantian tergantung kebijakan Playseat®.

Jaminan ini tidak mempengaruhi hak hukum konsumen berdasarkan hukum setempat yang berlaku.

Jaminan ini berlaku:

- Jaminan ini berlaku hanya dengan menunjukkan bukti asli pembelian dan kartu garansi yang berlaku, berisi tanggal pembelian dan nama toko atau pemasok, serta barang yang cacat tersebut. Dokumen-dokumen tersebut tidak berlaku apabila rusak atau diganti.

Jaminan ini tidak berlaku apabila kerusakan produk akibat salah satu hal berikut:

- Dipakai untuk komersial (seperti direntalkan atau disewakan), kecelakaan, aus atau patah secara wajar atau akibat penggunaan produk yang salah. Ini termasuk, tapi tidak terbatas pada, kelalaian dalam menggunakan produk tidak sebagaimana tujuannya, tidak mengikuti petunjuk dalam penggunaan, pemeliharaan atau pemasangan, dan menggunakan produk dengan cara yang bertentangan dengan standai teknis dan keselamatan setempat.

- Segala bentuk modifikasi atau perubahan pada produk untuk alasan apapun, baik dilakukan dengan cara yang benar maupun tidak.

Jika dilinzinkan oleh undang-undang yang berlaku, jaminan ini mencakup hak Anda untuk menempuh upaya hukum apabila terjadi pelanggaran atas kontrak atau pelanggaran atas syarat dan ketentuan pemasokan produk ini, baik secara tertulis atau tersurat, dan Playseat®, agennya atau pemasoknya tidak bertanggung jawab atas segala kerugian ringan ataupun berat yang tidak tercacup dalam jaminan ini.

JAMINAN

Terima kasih kerana membeli produk ini!

Playseat® menjamin bahawa produk ini tidak mengandungi kecacatan bahan dan buatan selama tempoh satu tahun dari waktu pembelannya yang asal. Seandainya kecacatan berlaku dalam tempoh jaminan ini, kami akan membaiki atau menggantikan produk ini, atau bahagian(-bahagian) yang cacat, secara percuma. Keputusan tentang cara perbaikan atau penggantian terletak atas budi bicara Playseat® sahaja.

Jaminan ini tidak menjejaskan hak statutori pengguna di bawah undang-undang negara yang berkenaan.

Jaminan ini sah:

- Jaminan ini sah hanya sekiranya bukti pembelian asal dan jilil jaminan yang sah dikemukakan, yang menunjukkan tarikh pembelian dan nama peruncit atau pembekal, bersama-sama produk yang cacat. Dokumen-dokumen ini tidak sah sekiranya rosak atau telah diubah.

Jaminan ini tidak sah jika produk rosak akibat mana-mana sebab yang berikut ini:

- Penggunaan komersial (termasuk menyewakannya), kemalangan, rosak rosak biasa, atau penyalahgunaan. Ini merangkumi tetapi tidak terhad kepada kelalaian penggunaan produk bagi tujuan yang dimaksudkan, keagagalan untuk mengikuti arahan penggunaannya, penyalenggaraannya atau pemasangannya, dan penggunaan produk dengan cara yang bertentangan dengan piawaian teknikal atau keselamatan tempatan.

- Sebarang perubahan/baikan atau apa jua jenis perubahan pada produk ini atas apa-apa sebab pun, dan sama ada dilakukan dengan betul ataupun tidak.

Jika dibenarkan di bawah undang-undang yang berkenaan, jaminan ini merupakan jalan undang-undang anda yang tunggal dan eksklusif seandainya berlaku mengikir kontrak atau mengikir syarat berhubung pembekalannya, sama ada secara nyata ataupun tersirat, bagi produk ini, dan Playseat® mahupun ejennya tidak akan bertanggungjawab terhadap sebarang kerugian berkaitan atau kerugian turutan yang tidak diliputi di sini.

보증

이 제품을 구입해주서 감사합니다!

Playseat® 는 이 제품 구입일로부터 1년간 이 제품의 재질 및 제조상의 결함에 대해 보증을 해드립니다. 이 보증기간중 결함이 발생하면, 무료로 제품이나 결함이 있는 부분을 수리 또는 교환해드립니다. 이러한 수리 및 교체에 대한 결정은 Playseat® 가 단독 재량으로 판단합니다.

이 보증으로 인해 해당 국내법에 따른 소비자의 법적 권리가 영향을 받지 않습니다.

이 보증의 유효성은 다음과 같습니다.

- 이 보증은 구매 일자와 판매업체의 이름이 기입된 구매 증빙 서류 원본과 유효한 보증서를 결함이 있는 제품과 함께 제출했을 경우에만 유효합니다. 이들 서류가 손상되거나 변경되었을 때는 유효성을 상실합니다.

제품이 다음과 같은 사유로 손상되었을 때는 보증 대상이 되지 않습니다.

- 상업적 사용 (임대 포함), 사고, 일반적인 마모 혹은 파열 또는 오용, 제품 사용을 하면서 원래 용도를 무시, 사용 및 유지관리 그리고 장착과 관련된 지침을 정확히 준수하는 데 실패, 적용 가능한 현지 기술 또는 안전 표준에 벗어나는 방식으로 제품을 사용.

- 제품을 수정 및 변경한 행위 (그 이유나 수정 방식의 적절함과 무관).

적용 가능한 법률에 의해 허용되는 경우, 이 보증은 이 제품과 관련한 계약이나 공급 약관이 명시적 혹은 암시적으로 위반된 경우 고객 여러분의 유일하며 독점적인 법적 수단을 구성하며 Playseat® 나 그 에이전트나 공급업체는 여기에 언급되지 않은 우발적이거나 결과적인 손실에 대해 책임을 지지 않습니다.

GARANTI

Takk for at du kjøper dette produktet!

Playseat® garanterer at dette produktet er fritt for feil og mangler i materiale og utførelse i en periode på ett år fra kjøpsdato. Dersom feil eller mangler skulle oppstå i garantiperioden, vil vi reparere eller skifte ut produktet, eller de(r) defekte delen(e) gratis. Beslutningen om reparasjon eller utskifting avgjøres ene og alene av Playseat®.

Denne garantien påvirker ikke kundens lovfestede rettigheter etter gjeldende, nasjonale lover.

Denne garantien gjelder:

- Denne garantien gjelder kun ved fernvising av kjøpskvitting og gyldig garantibevis som inneholder kjøpsdato og forhandlerens navn, sammen med det defekte produktet. Disse dokumentene er ugyldige dersom de er skadet eller endret.

Denne garantien er ugyldig dersom produktet er skadet som følge av:

- Kommersiell bruk (inkludert innleie eller utleie), ulykke, normal slitasje eller misbruk. Dette skal omfatte, men ikke begrenses til, uaktsomhet ved bruk av produktet innenfor dets anvendelsesområde, unnlattelse av å følge anvisninger for bruk, vedlikehold eller montering, og bruk av produktet på en måte som er i strid med gjeldende, lokale sikkerhetsnormer eller tekniske standarder.

- All slags modifisering eller ending av produktet, uansett grunn, og ussett om det er korrekt utført eller ikke.

Der gjeldende lovverk tillater det, utgjør denne garantien den eneste, juridiske utvei ved kontraktsbrudd eller brudd på betingelser og leveringsvilkår, eksplisitt eller implisitt, med hensyn til dette produktet, og verken Playseat® eller dets agenter eller leverandører har ansvar for indirekte eller direkte tap som ikke dekkes heri.

GARANTI

Tak, fordi du har købt dette produkt!

Playseat® garanterer, at dette produkt ikke er behæftet med fejl i materialer eller forarbejdning i et år fra datoen for køb af produktet fra ny. Hvis der opstår fejl i løbet af denne garantiperiode, bliver produktet (eller eventuelle defekte komponenter hertil) repareret eller udskiftet gratis. Selve reparationen eller udskiftningen foretages helt efter Playseat® skøn.

Denne garanti påvirker ikke forbrugernes rettigheder i henhold til den gældende lovgivning.

Garantiens gyldighed:

- Denne garanti er kun gyldig mod forvisning af den oprindelige kvittering og et gyldigt garantibevis med angivelse af købsdatoen samt navnet på forhandleren sammen med det defekte produkt. Hvis kvittering eller garantibevis ændres eller ikke er intakte, vil de ikke blive godtaget.

Denne garanti gælder ikke, hvis der sker skader på produktet i forbindelse med nedestående:

- Ved erhvervsmessig brug (herunder udlejning), uheld, normal slitage eller forkert anvendelse. Dette omfatter, men er ikke begrænset til, brug af produktet til andet end det tillænte formål, forkert udførelse af anvisningerne for brug, vedligeholdelse eller montering af produktet samt anvendelse af produktet på en sådan måde, at det er i modstrid med gældende tekniske eller sikkerhedsmæssige normer.

- Ved ændringer af enhver art af produktet af nogen som helst årsag, hvad enten sådanne ændringer er foretaget korrekt eller ikke.

I det omfang, at det er tilladt ifølge lovgivningen, udgør denne garanti den eneste juridiske mulighed i tilfælde af kontraktbrud eller brud på vilkårene og betingelserne for levering, hvad enten det er utrykkelige eller uudsagt/bede, med hensyn til dette produkt, og hverken Playseat® eller selskabets repræsentanter eller forhandlere påtager sig noget som helst ansvar for hændelige skader eller følgeskader, som ikke er dækket i denne forbindelse.

TAKUU

Kiitos, että ostit tämän tuotteen!

Playseat® myöntää materiaali- ja työvoikojen varalta takuun yhden vuoden ajaksi tuotteen alkuperäiseltä ostopaivästä. Jos takuuaikana havaitaan edellä tarkoitettu vika, korjaamme tai vaihdamme tuotteen tai sen viallisen osan tai vialliset osat veloituksetta. Playseat® illa on oikeus päättää korjauksesta tai vaihdosta.

Tämä takuu ei vaikuta sovellettavaan kansalliseen lainsäädäntöön perustuviin kuluttajan lakisäätöisiin oikeuksiin.

Takuun voimassaolo:

- Tämä takuu on voimassa vain, jos viallisen tuotteen mukana esitetään alkuperäinen ostotositte ja voimassa oleva takuutodistus, johon on merkitty ostopaivä ja jälleenympjän tai toimittajan nimi. Nämä asiakirjat eivät ole voimassa, jos ne ovat violltuneet tai niihin on tehty muutoksia.

Takuu ei ole voimassa, jos tuotteen voittuminen johtuu jostakin seuraavista syistä:

- Kaupallinen käyttö (vuokraus mukaan lukien), onnettomuus, normaali kuluminen tai väärinkäyttö. Tällä tarkoitetaan muun muassa tuotteen käyttöätoimituksen vastaista käyttöä, käyttö-, huolto- tai asennusohjeiden jättämistä noudattamatta sekä tuotteen käyttöä millä tahansa sellaisella tavalla, joka ei täytä sovellettavia paikallisia teknisiä vaatimuksia tai turvallisuusvaatimuksia.

- Tuotteen muuntaminen tai muuttaminen millä tahansa tavalla mistä tahansa syyistä riippumatta siitä, onko muutos tehty asianmukaisesti.

Jos se on sovellettavan lainsäädännön mukaan sallittua, tämä takuu on asiakkaan ainoa ja poissulkeva oikeudellinen suoja tätä tuotetta koskevan ilmaistun tai oletetun sopimusrikkomuksen tai toimitusheitojen rikkomisen varalta. Playseat® tai sen edustajat tai toimittajat eivät vastaa mahdollisista satunnaisista vahingoista tai seurannaisvahingoista, joita ei mainita tässä takuussa.

GARANTI

Tack för att du har köpt denna produkt!

Playseat® garanterar att denna produkt är fri från defekter vad gäller material och tillverkning under ett år från ursprungligt inköpsdatum. Om en defekt uppstår under denna garantiperiod, kommer vi kostnadsfritt att reparera eller ersätta produkten eller defekta (a) del(ar) av den. Playseat® har ensam bestämmanderätt vad gäller reparationsens eller bytets karaktär.

Denna garanti påverkar inte på något sätt konsumentens lagliga rättigheter under tillämpliga nationella lagar.

Denna garanti gäller:

- Denna garanti gäller endast vid uppvisande av ursprungligt inköpsbevis samt giltigt garantiertifikat, med inköpsdatum och återförsäljarens eller leverantörens namn, tillsammans med den defekta produkten. Dessa dokument är ogiltiga om skadade eller ändrade.

Denna garanti gäller inte om produkten har skadats till följd av nedanstående:

- Kommersiell användning (inklusive hyra eller uthytning), olycka, normalt slitage eller felaktig användning. Detta omfattar, men är inte begränsat till, vårdslöshet vid användning av produkten för dess avsedda ändamål, underlåtelse att följa anvisningarna för dess användning, underhåll eller montering samt användning av produkten som strider mot lokala tekniska normer eller säkerhetsnormer.

- Modifieringar av eller ändringar på produkten av något som helst skal oavsett om dessa utförts korrekt.

Där tillåtet under tillämplig lag, utgör denna garanti din enda och exklusiva juridiska utväg i händelse av direkt eller indirekt kontraktsbrott eller vilkårsbrott beträffande denna produkt och varken Playseat® eller dess agenter eller leverantörer ansvarar för tillfällig eller efterföljande förlust som inte nämns i denna garanti.

WARRANTY PAGES

Playseat

WARRANTY PAGES

الضمان

شكراً لك على شرايك لهذا المنتج!

تضمن لك Playseat خلو هذا المنتج من عيوب المواد الخام والتصنيع لمدة عام تبدأ من تاريخ الشراء الأول. في حالة حدوث هذه العيوب خلال فترة الضمان، فإننا سنلتزم بإصلاح أو استبدال المنتج أو الجزء (الأجزاء) المعيب بالمجان.

لكن تظل Playseat هي الجهة الوحيدة التي يمكنها تقرير طبيعة عملية الإصلاح أو الاستبدال هذه.

لا يؤثر هذا الضمان على الحقوق القانونية للمستهلك التي يتمتع بها بموجب القوانين الوطنية المطبقة.

هذا الضمان صالح:

• يكون هذا الضمان صالح فقط عند تقديم مستندات الشراء الأصلية وشهادة صلاحية الضمان التي تحمل تاريخ الشراء واسم تاجر التخزين أو المورد، ذلك بالإضافة إلى المنتج المعيب.
تفقد هذه الوثائق صلاحيتها في حالة تعرضها للتلف أو التغيير.

يصبح هذا الضمان غير صالح في حالة تعرض المنتج للتلف الذي ينتج عن أي مما يلي:

• الاستخدام التجاري (بما في ذلك التأجير أو الاستئجار) أو التعرض لحادث أو للبلاء والتآكل بشكل طبيعي أو سوء الاستخدام.
سيشمل ذلك العناصر التالية، دون التقيد بها، عدم الحرص على استخدام المنتج في الغرض المخصص له، والقتل في اتباع تعليمات استخدام أو صيانة أو تركيب المنتج، واستخدام المنتج بأي طريقة منافية لمعايير السلامة أو المعايير الفنية المحلية المطبقة.

• أي نوع من التعديل أو التغيير في المنتج لأي سبب كان وبغض النظر عن أدائه بشكل صحيح أو خاطئ.

ووفقاً لما تسمح به القوانين المطبقة، فإن هذا الضمان يعتبر هو المرجع القانوني الوحيد والخاص بالنسبة لك في حالة مخالفة بنود العقد أو مخالفة بنود وشروط التوريد الضمنية أو المصرح بها الخاصة بهذا المنتج، كما أن Playseat ووكلاهما أو الموردون التابعين لها لن يتحملوا المسؤولية عن أي حالة فقد عرضية أو مترتبة على حادث آخر ولا يشملها هذا الضمان.

<p>Purchaser's Name: Naam van de koper: Nom de l'acheteur: Nome des Kunden: Nombre del Comprador: Orijin nimi: Pircēja uzvārds: Příjímaj: Imię i nazwisko nabywcy: Imięta kupującego: 購入者名: 購買人姓名: Nome acquirente: Nome do comprador: Фамилия покупателя: Nama pembeli: 구매자 성명: اسم المشتري: Kjøpers navn: Købers navn: Ostajan nimi: Kõparens namn:</p>
--

<p>Address: Adres: Adresse: Kunden-Adresse: Dirección: Address: Adrese: Adresas: Adresa:住所: 地址: Indirizzo: Endereço: Адрес: Alamat: 주소: العنوان: Adresse: Adresse: Osioite: Address:</p>
--

<p>Date of Purchase: Datum van aankoop: Date d'achat: Verkaufsdatum: Fecha de Compra: Orijin kuupäev: Pārdošanas datums: Pirkimo data: Data zakupu: Datum nákupu: 購入日: 購買日期: Data di acquisto: Data de compra: Дата покупки: Tanggal pembelian: তারিখ পেমোলান: 구매일차: تاريخ المشتري: Kjøpsdato: Dato for køb: Ostapäivämäärä: Inköpsdatum:</p>
--

<p>Shop's Name & Address: Naam en adres van de winkel: Nom et adresse du magasin: Name und Adresse des Verkäufers: Nombra/Dirección del punt de venta: Kaupluse nimi ja aadress: Veikala nosaukums un adrese: Pardotuves pavadinimas ir adresas: Nazwa i adres sklepu: Názov predajny a adresa: 店舗名称および住所: 商店名稱與地址: Nome e indirizzo negozio: Designação & Endereço da loja: Название и адрес магазина: Nama & Alamat Toko: Nama & Alamat Kedai: 상점 이름 및 주소: اسم المتجر وعنوانه:</p>

<p>Serial Number: Seriennummer: No de serie: Serien-Nummer: Numero de Serie: Seriennummer: Partijas numurs: Serjins numurs: Numer serijny: Sériové číslo: シリアル番: 產品序號: Numero di serie: Número de série: Серийный номер: Nomor Seri: Nombor Siri: 일련 번호: رقم التسلسل: Serialnummer: Seriennummer: Sarjanumero: Seriennummer:</p>

<p>Art. No: Art. nr.: Izstrādājuma numurs: Gaminio nr.: Nr katalogowy: Číslo zboží: 技術番: 貨號: Num. art.: Artigo n.º: Артикул: Nomor Artikel: Nombor Barang: 商品 번호: رقم المنتج: Artikelnummer.: Art.Lin.: Tuotenumero: Art.Lin.:</p>
--

