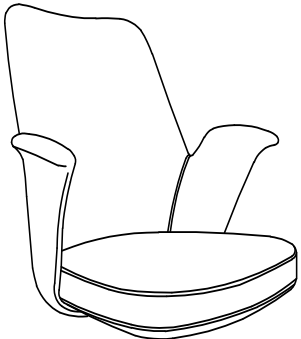
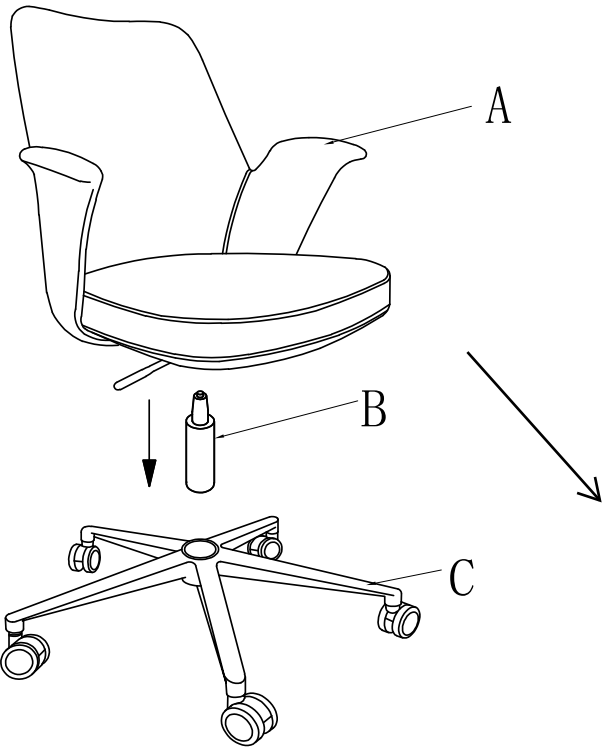


# Assembly Instructions

## LISE Office Chair

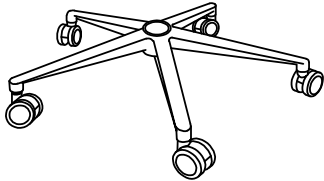
PLEASE NOTE: Check that you have received all components and hardware before assembling. If you are missing any parts, contact your retailer.



A (1 pc)



B (1 pc)



C (1 pc)



During assembly, hand tighten screws only. When the screws are in place, tighten completely.