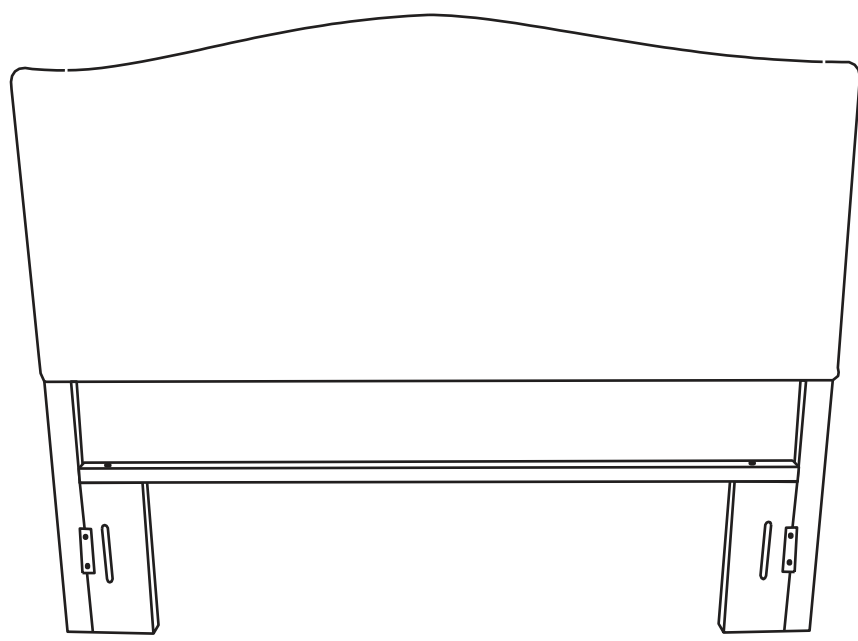
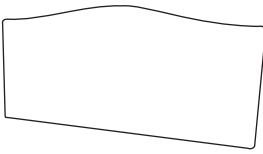


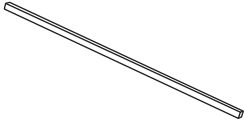


CROSLEY
FURNITURE

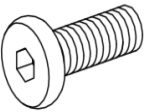
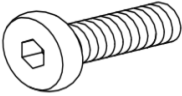


Twin / Full Headboard
CF92005-301/401



PART LIST

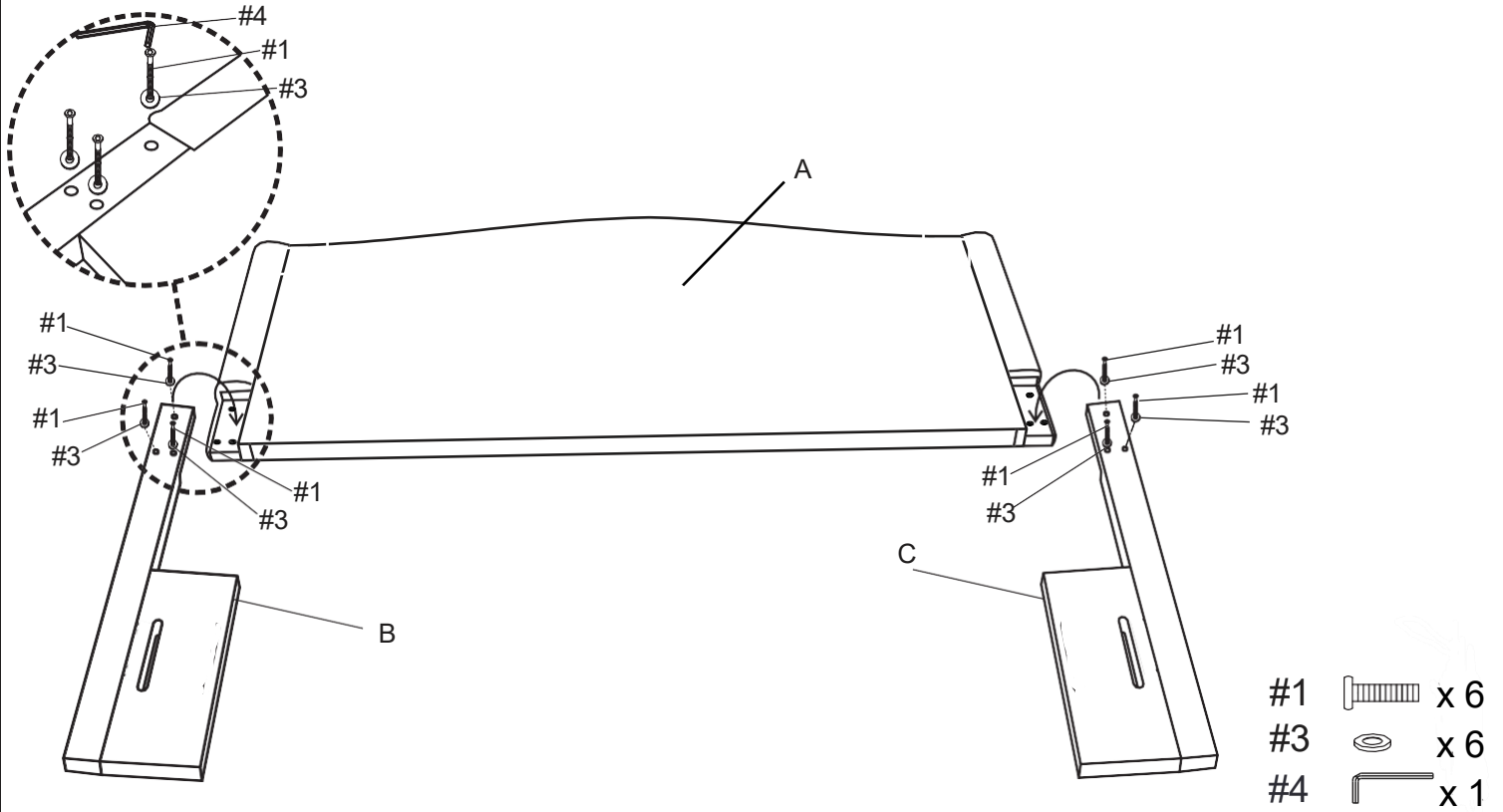
<div data-bbox="114 170 150 203" style="border: 1px solid black; padding: 2px;">A</div> 	<div data-bbox="395 170 422 203" style="border: 1px solid black; padding: 2px;">B</div> 	<div data-bbox="676 170 703 203" style="border: 1px solid black; padding: 2px;">C</div> 	<div data-bbox="957 170 984 203" style="border: 1px solid black; padding: 2px;">D</div> 
<p style="text-align: center;">Headboard 1 PC</p>	<p style="text-align: center;">Right Post 1 PC</p>	<p style="text-align: center;">Left Post 1 PC</p>	<p style="text-align: center;">Crossbar 1 PC</p>

HARDWARE LIST

<div data-bbox="111 613 145 647" style="border: 1px solid black; padding: 2px;">#1</div>  <p style="text-align: center;">$\frac{1}{4}$" x 1.5" L</p>	<div data-bbox="395 613 429 647" style="border: 1px solid black; padding: 2px;">#2</div>  <p style="text-align: center;">$\frac{1}{4}$" x 2" L</p>	<div data-bbox="676 613 710 647" style="border: 1px solid black; padding: 2px;">#3</div> 	<div data-bbox="957 613 991 647" style="border: 1px solid black; padding: 2px;">#4</div> 
<p style="text-align: center;">Short Bolt 6 PCS (Extra 1)</p>	<p style="text-align: center;">Bolt 2 PCS (Extra 1)</p>	<p style="text-align: center;">Small Flat Washer 8 PCS (Extra 1)</p>	<p style="text-align: center;">Allen Wrench 1 PC</p>

Step 1. Lay headboard (part A) down on a soft surface, such as carpet.
 Attach posts (parts B & C) to headboard (part A) using short bolts (part #1), small flat washers (part #3) and allen wrench (part #4).

NOTE: Please do not fully tighten bolts until unit is fully assembled.



Step 2. Attach crossbar (part D) to posts (parts B & C) using bolts (part #2), small flat washers (part #3) and allen wrench (part #4).

NOTE: Please fully tighten all bolts at this time.

