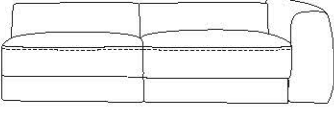




ASSEMBLY INSTRUCTIONS











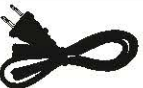
RIGHT SIDE 2-SEATER WITH 1 POWER RECLINING AND ADJUSTABLE HEADRESTS

NOTE: Do not use power tools for assembly. Power tools increase the risk of over tightening which leads to splitting or cracking the wood.

COMPONENT LIST

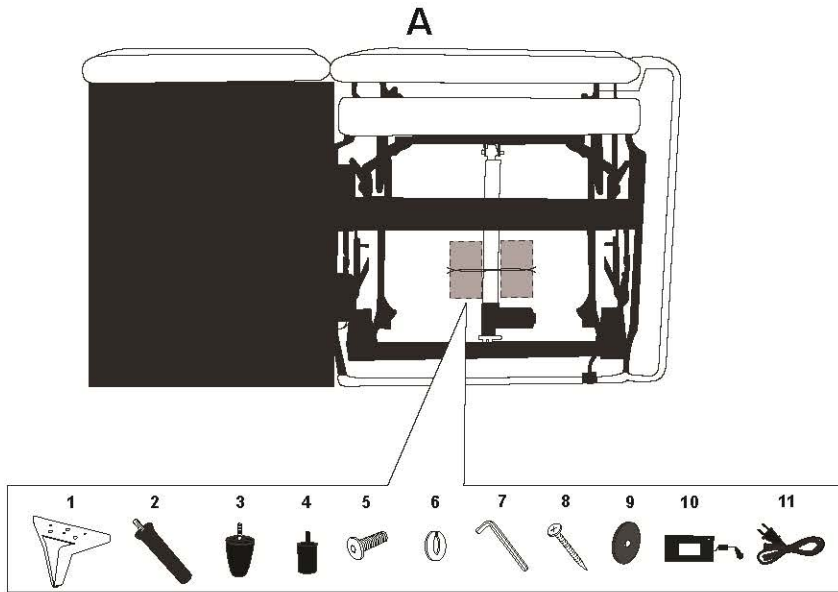
NO.	DRAWING	QTY	DESCRIPTION
A		1 PC	RSF 2-SEATER
B		1 PC	RSF HEADREST
C		1 PC	CENTER HEADREST

HARDWARE LIST

NO.	DRAWING	QTY	DESCRIPTION
1		2 PCS	METAL LEG (127MM)
2		1 PC	PLASTIC SUPPORT LEG (126MM)
3		1 PC	PLASTIC SUPPORT LEG (51MM)
4		3 PCS	ADJUSTABLE LEG (40MM)
5		4 PCS	BOLT (8x30MM)
6		4 PCS	LOCK WASHER (16MM)
7		1 PC	ALLEN KEY (30MM)
8		6 PCS	SCREW (49MM)
9		1 PC	PLASTIC GASKET (50MM)
10		1 PC	ADAPTOR
11		1 PC	PLUG WITH WIRE

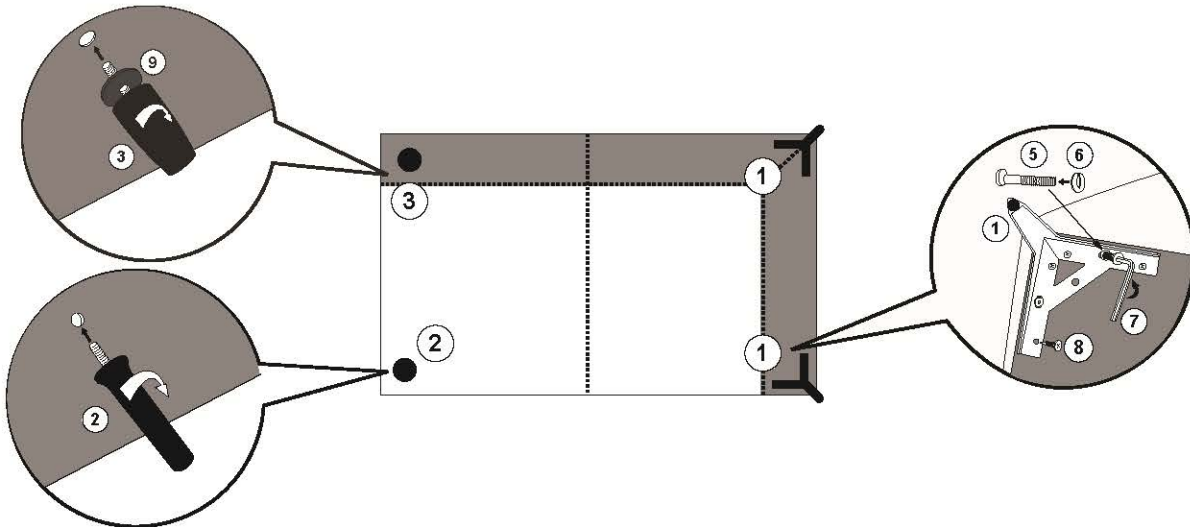
STEP#1

Unpack the hardware from underneath of RSF 2-seater (A).



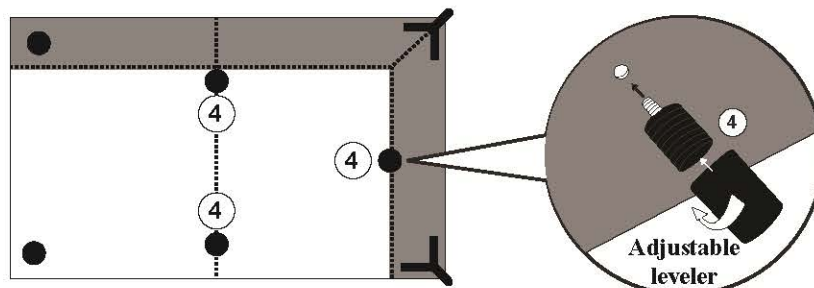
STEP#2

Align and attach legs (1) to chair, insert bolts (5) and washers (6) and tighten with Allen key (7). Insert screw (8) and tighten with screw driver. Attach and rotate clockwise to tighten the plastic supported leg (2). Insert plastic gasket with plastic leg (3), Attach and rotate clockwise to tighten it.



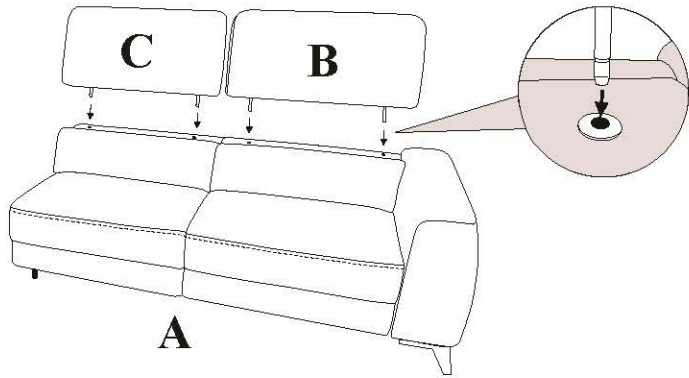
STEP#3

Rotate clockwise to tighten the adjustable leg. Turn the leveler at the bottom of support leg (4) to adjust the height to be level with floor.



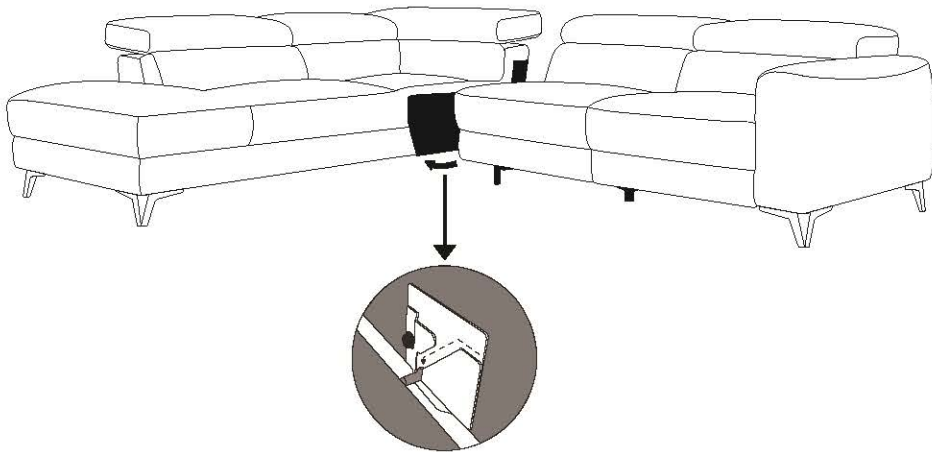
STEP#4

Align the tube of headrest (B) & (C) and insert it into slot, press to the end and make sure it is fixed.



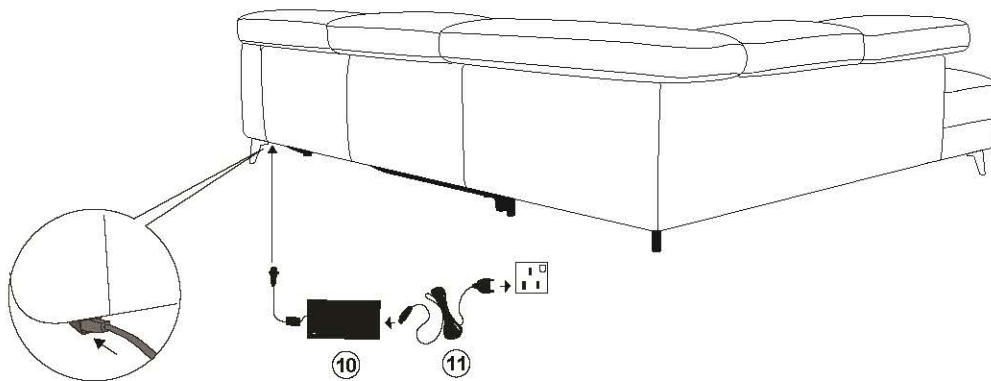
STEP#5

Align the male connecting brackets of LSF chaise onto the female brackets of RSF 2-seater, push to the end and make sure it is fixed in position securely.



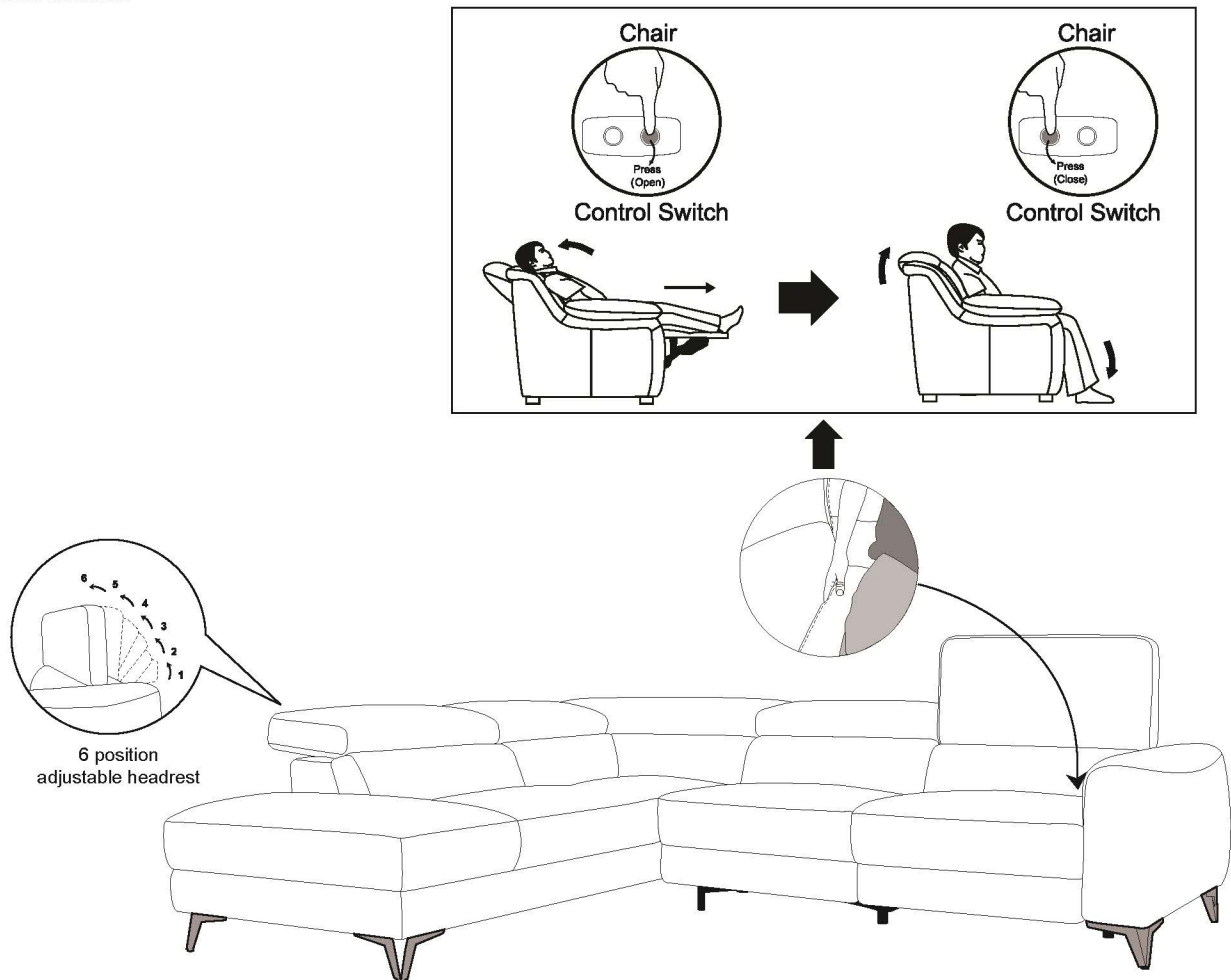
STEP#6

Carefully align and connect the plug with wire (11) to the slot at the adapter (10). Align and attach the cord of adapter (10) to the slot of chair and make sure it is connected with securely.



STEP#7

Operating instruction



CARE INSTRUCTION FOR POLYESTER:

In order to maintain the original appearance of your polyester furniture, please follow below simple care procedure :

- Avoid exposing furniture directly to sunlight or heating and air conditioning outlets. Exposure to sunlight or heating and air conditioning outlets will fade/damage polyester.
- Wipe gently with a damp soft cloth to remove dust, dirt and any grime build up.

WARNING





- Disconnect the electrical plug from the wall outlet before cleaning, moving, servicing or when not in use for an extended period of time.
- Plug directly into a wall outlet. Do not use an extension cord or adaptor.
- Check the condition of the power transformers, electrical cords, plugs and connectors monthly. Keeps the power adaptor and electrical cords away from heat sources. Never operate the unit with a damaged power adaptor, electrical cord, plug or connector.
- Before moving the product, please disconnect the electrical plug from the wall outlet and secure the mechanism to prevent unexpected opening or movement. Never move the product by the mechanism, legrest, handle, or reclining back.
- Do not attempt to disassemble or service the adaptor or motor. No serviceable parts are inside.
- Do not allow electrical cord to be pinched between moving parts or between the frame and the floor. Do not place cord under carpet or in location where it could become worn.
- Unplug the power cord immediately if you detect strange odors or fumes coming from the chair.

ASSEMBLY INSTRUCTIONS

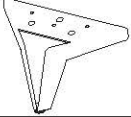





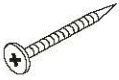
LEFT SIDE CHAISE WITH ADJUSTABLE HEADRESTS

NOTE: Do not use power tools for assembly. Power tools increase the risk of over tightening which leads to splitting or cracking the wood.

COMPONENT LIST

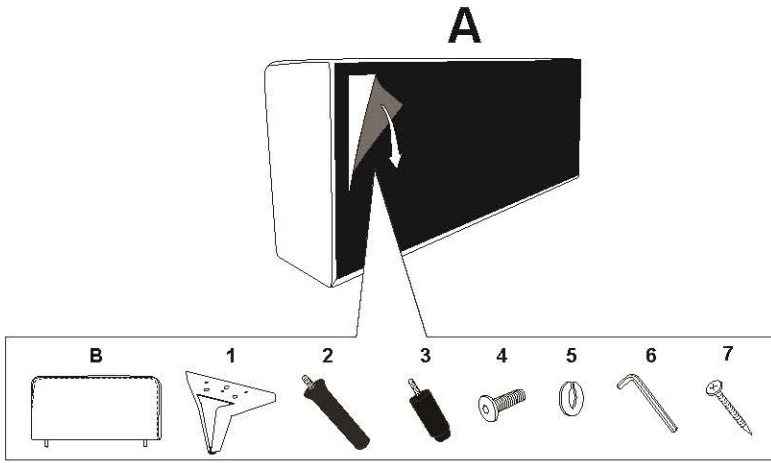
NO.	DRAWING	QTY	DESCRIPTION
A		1 PC	LSF CHAISE
B		1 PC	LSF HEADREST
C		1 PC	CENTER HEADREST
D		1 PC	CORNER HEADREST

HARDWARE LIST

NO.	DRAWING	QTY	DESCRIPTION
1		2 PCS	METAL LEG (127MM)
2		2 PCS	PLASTIC SUPPORT LEG (126MM)
3		1 PC	ADJUSTABLE LEG (122MM)
4		4 PCS	BOLT (8x30MM)
5		4 PCS	LOCK WASHER (16MM)
6		1 PC	ALLEN KEY (30MM)
7		6 PCS	SCREW (49MM)

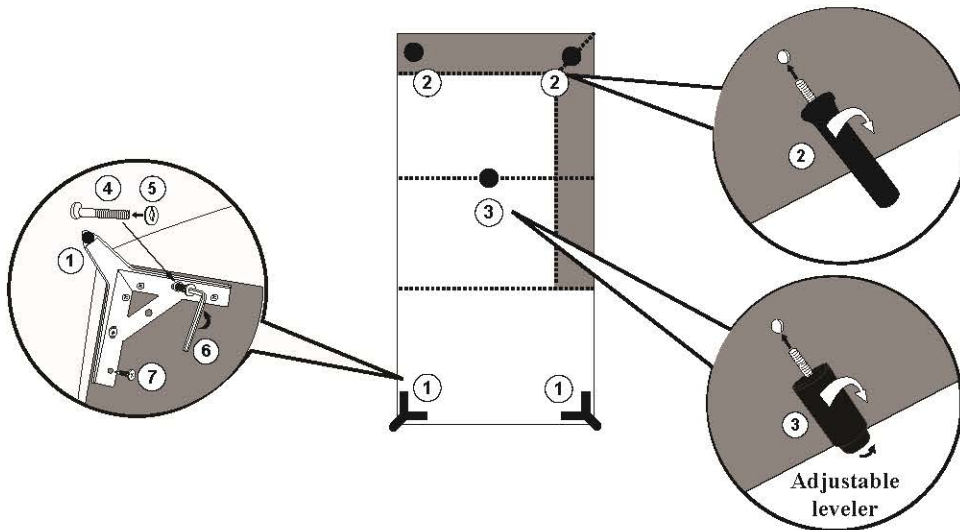
STEP#1

Unzip the dust woven underneath of chaise, unpack the LSF headrest (B) and hardware.



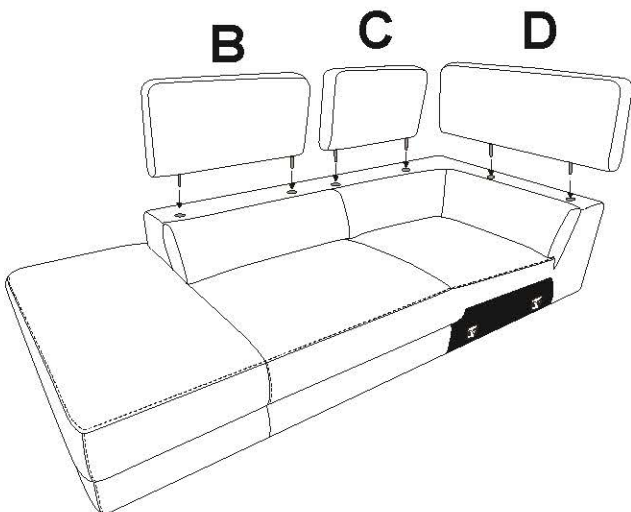
STEP#2

Align and attach legs (1) to chair, insert bolts (4) and washers (5) and tighten with Allen key (6). Insert screw (7) and tighten with screw driver. Attach and rotate clockwise to tighten the plastic support leg (2) and adjustable leg (3). Adjust the adjustable leg height to be level with floor.



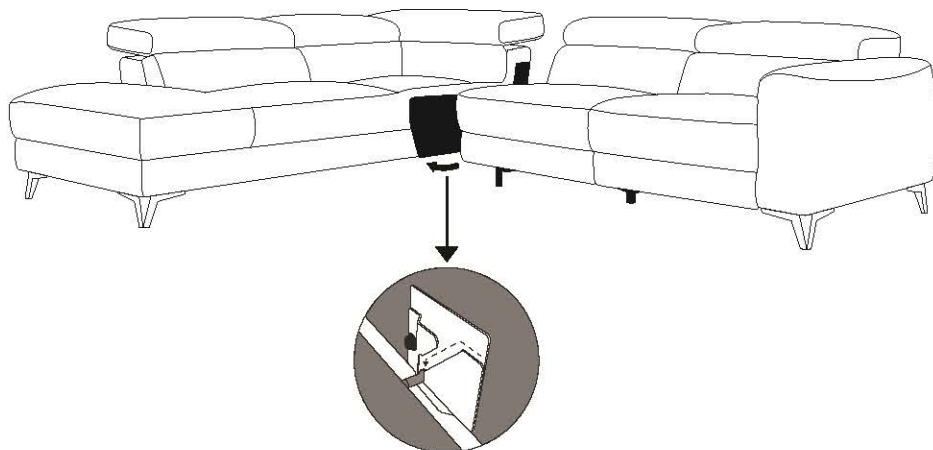
STEP#3

Align the tube of headrest (B), (C), (D) and insert it into slot, press to the end and make sure it is fixed.



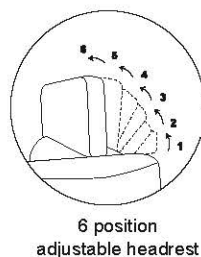
STEP#4

Align the male connecting brackets of LSF chaise onto the female brackets of RSF 2-seater, push to the end and make sure it is fixed in position securely.

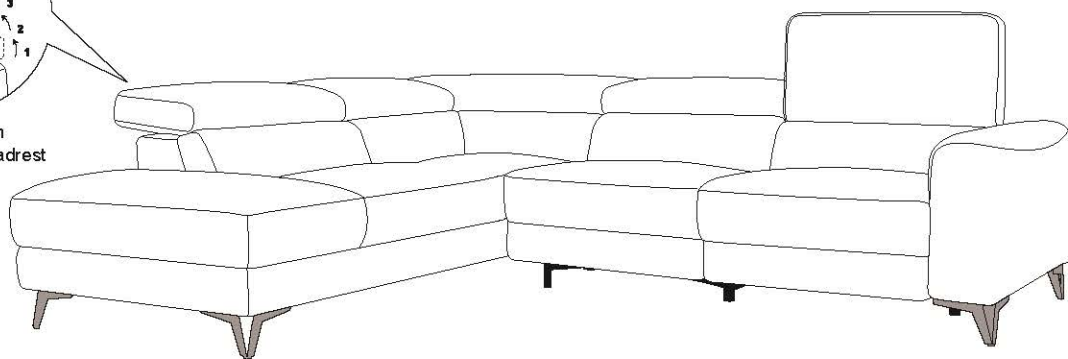


STEP#5

Operating instruction.



6 position adjustable headrest



CARE INSTRUCTION FOR POLYESTER:

In order to maintain the original appearance of your polyester furniture, please follow below simple care procedure :

- Avoid exposing furniture directly to sunlight or heating and air conditioning outlets. Exposure to sunlight or heating and air conditioning outlets will fade/damage polyester.
- Wipe gently with a damp soft cloth to remove dust, dirt and any grime build up.