
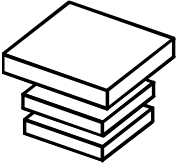
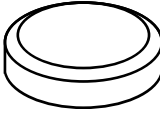
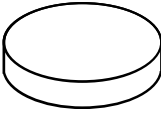
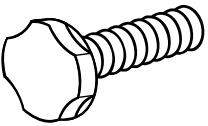
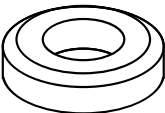
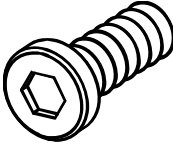


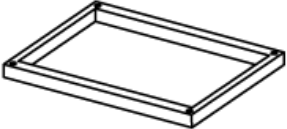

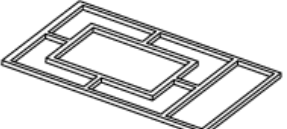
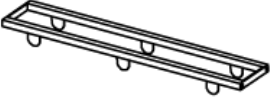
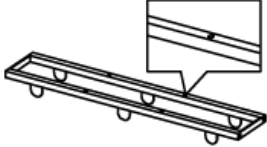
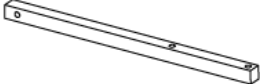
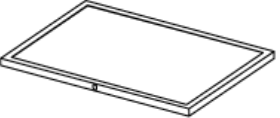
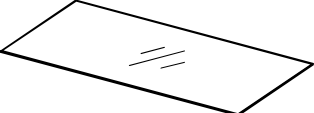




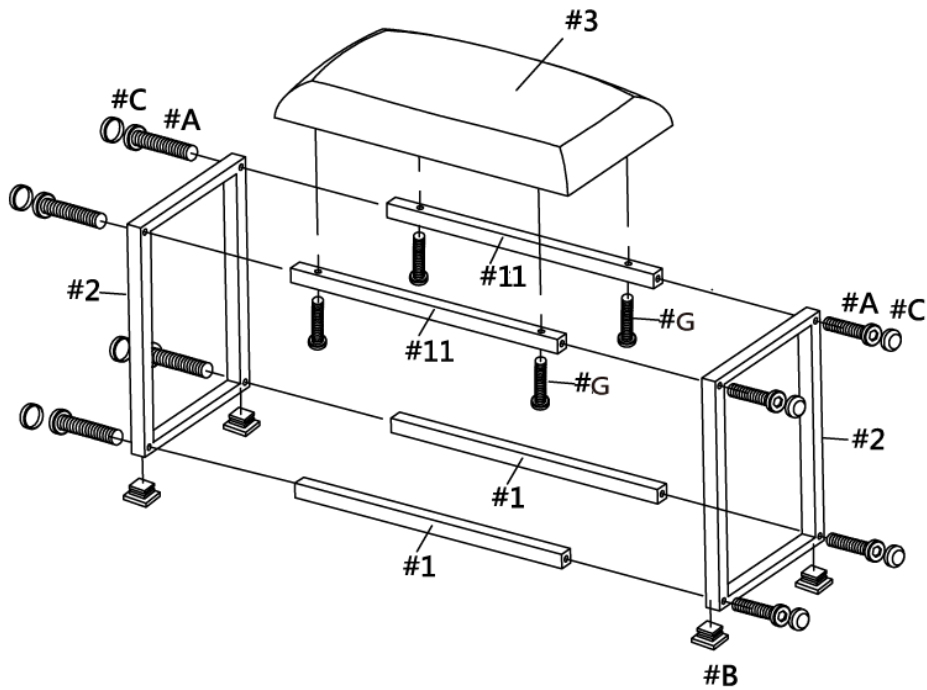
ASSEMBLY INSTRUCTIONS

A	B	C	D
 <p data-bbox="140 1070 373 1153">BOLT 1/4" x 1-1/2" 22PCS</p>	 <p data-bbox="539 1070 679 1153">FOOT CAP 8PCS</p>	 <p data-bbox="896 1070 1027 1153">BOLT CAP 18PCS</p>	 <p data-bbox="1241 1070 1388 1153">GLASS PAD 12PCS</p>
E	F	G	H
 <p data-bbox="220 1563 293 1646">BOLT 2PCS</p>	 <p data-bbox="577 1563 647 1646">NUT 2PCS</p>	 <p data-bbox="833 1563 1091 1646">BOLT 1/4" x 1-3/4" 4PCS</p>	 <p data-bbox="1209 1563 1426 1646">ALLEN WRENCH 1PC</p>

ASSEMBLY INSTRUCTIONS

①	②	③	④
 STOOL BOTTOM STRETCHER 2PCS	 STOOL SIDE PANEL 2PCS	 CUSHION 1PC	 TABLE SIDE PANEL 2PCS
⑤	⑥	⑦	⑧
 TABLE FRONT FRAME 1PC	 TABLE BACK FRAME 1PC	 MIRROR STRETCHER 2PCS	 MIRROR 1PC
⑨	⑩	⑪	
 GLASS 2PCS	 TABLE BOTTOM STRETCHER 1PC	 STOOL TOP STRETCHER 2PCS	

STEP 1

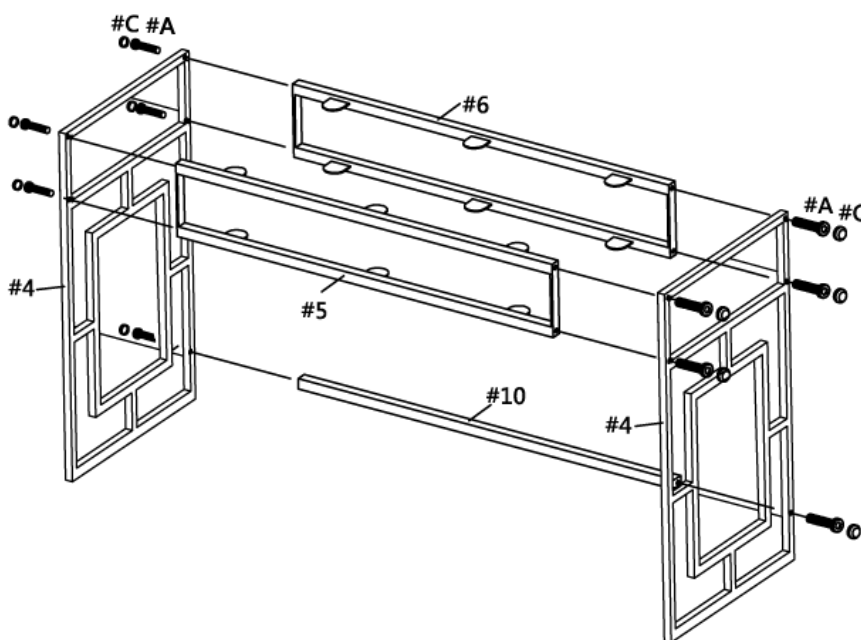


Attach stool side panels (2) to stool top stretchers (11) and stool bottom stretchers (1) together using bolt (A) as shown.

Attach cushion (3) to the assembled metal base using bolt (G) as shown.

Then, cover the bolts (A) by bolt caps (C), and insert foot caps (B) into the bottom of stool side panels (2) as shown.

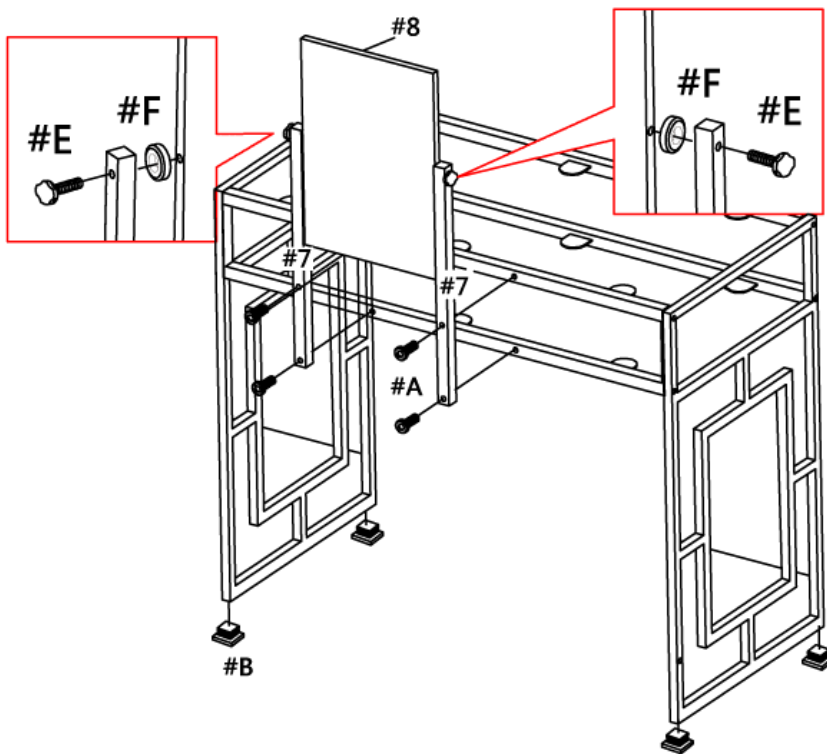
STEP 2



Attach table side panels (4) to table front frame (5), table back frame (6) and table bottom stretcher (10) together using bolt (A) as shown.

Then, cover the bolts (A) by bolt caps (C) as shown.

STEP 3

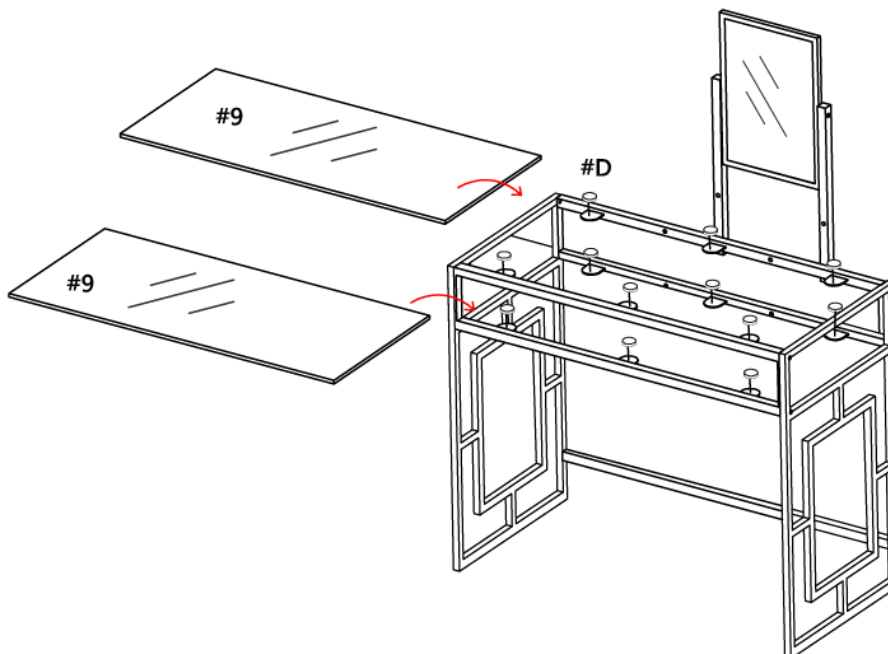


Attach mirror stretchers (7) to the table frames using bolts (A) as shown.

Align mirror stretchers (7) to the holes of the mirror (8).

Make sure to place the nuts (F) in-between the holes of the mirror (8) and mirror stretchers (7), then screw the bolt (E) tightly.

STEP 4



Attach glass pads (D) to the table frames, then carefully place the glass (9) to the table as shown.