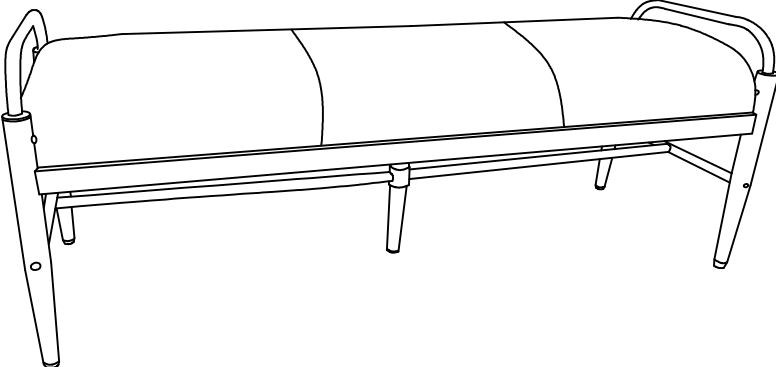
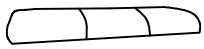


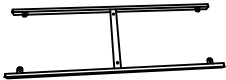
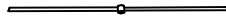



ASSEMBLY INSTRUCTION

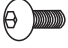
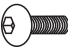
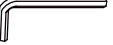
Bench
WYN14045BH



Component List

LABEL		DESCRIPTION	QTY
A		Seat cushion	1
B		Chair leg	1
C		Chair leg	1
D		Transverse beam	1
E		Middle barre	1
F		Middle leg	1

Hardware List

LABEL		DESCRIPTION	QTY
H1		Bolts M6×18mm	14
H2		Bolts M6×35mm	4
H3		Alloy key M6	1

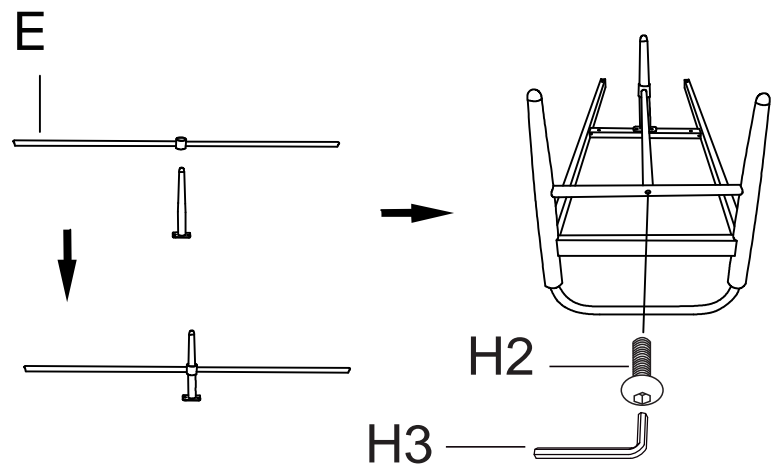
3

H2×1pcs
M6*35mm

H3×1pc
M6



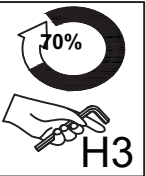
Tighten all screws after installation



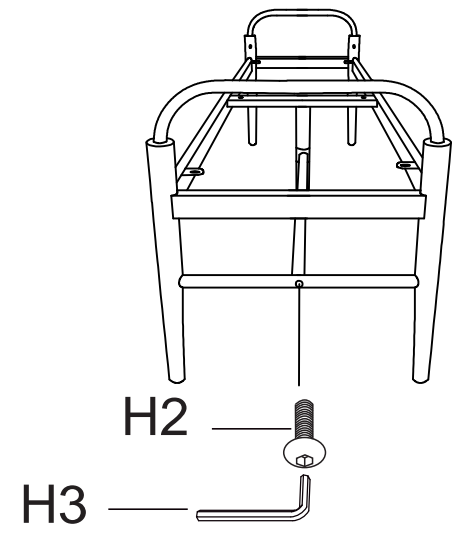
5

H2×1pcs
M6*35mm

H3×1pc
M6



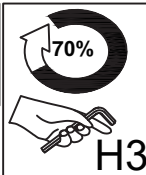
Tighten all screws after installation



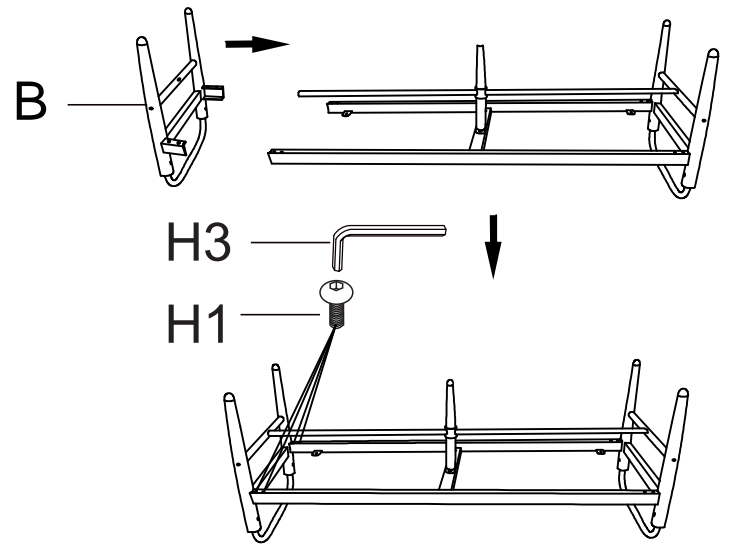
4

H1×4pcs
M6*18mm

H3×1pc
M6



Tighten all screws after installation

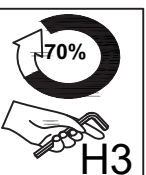


6

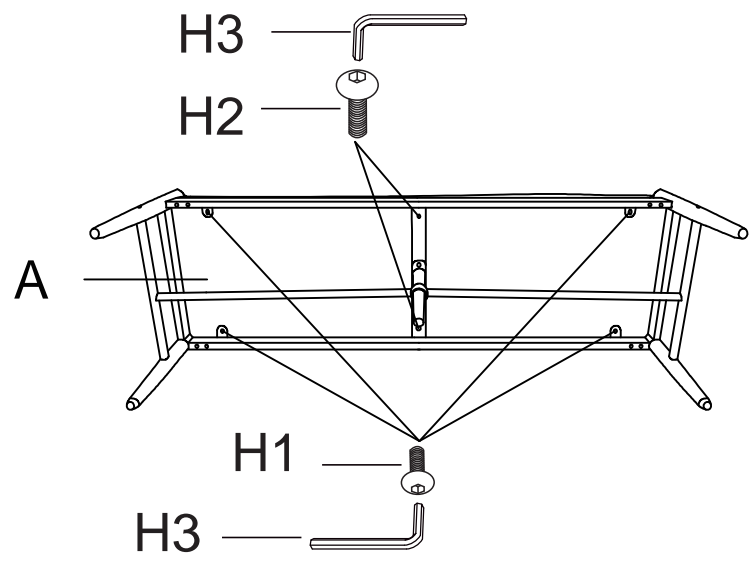
H1×4pc
M6*18mm

H2×2pcs
M6*35mm

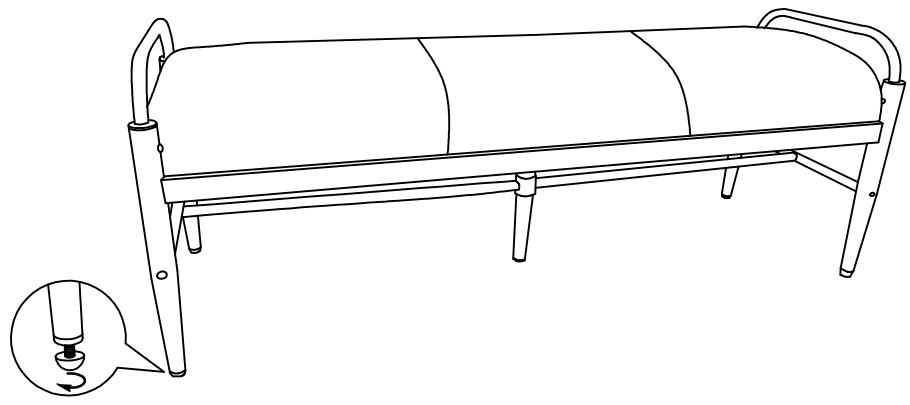
H3×1pc
M6



Tighten all screws after installation

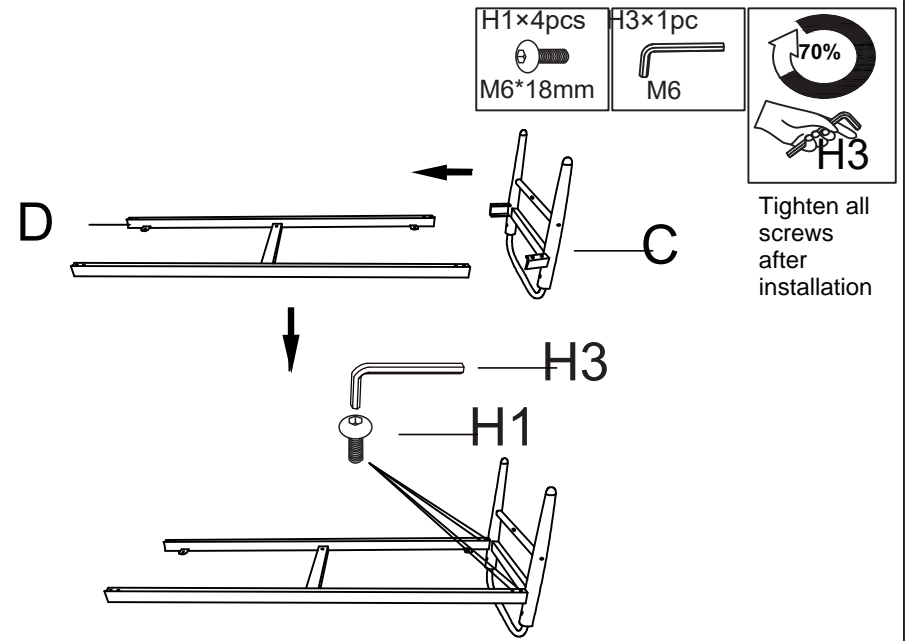


7



Adjust the foot so that it is leveled
then fully tighten all the bolts

1



2

