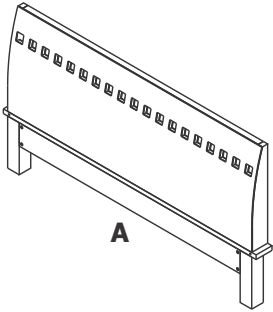


# TWIN/FULL/QUEEN/KING BED

## ASSEMBLY INSTRUCTIONS

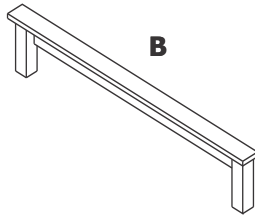
### BOX #1

A. HEADBOARD 1 PC



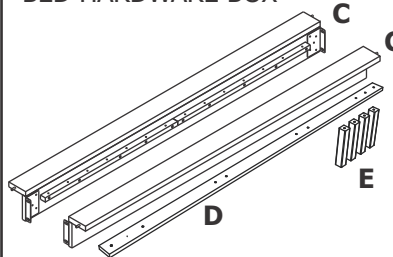
### BOX #2

B. FOOTBOARD 1 PC



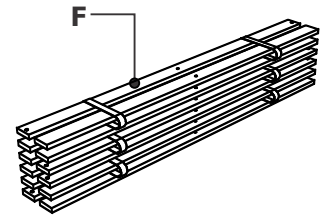
### BOX #3

C. SIDE RAIL 2 PCS  
D. CENTER SLAT 1 PC  
E. SUPPORT LEG 4 PCS  
BED HARDWARE BOX\*

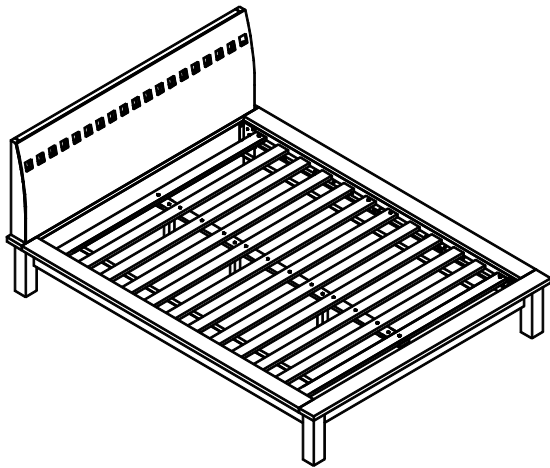


### BOX #4

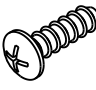


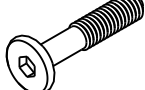
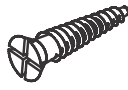
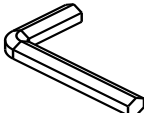
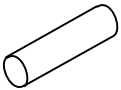
F. SLAT ROLL 1 SET



### VENETO BED ASSEMBLED

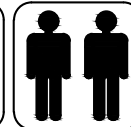
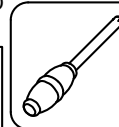


### BED HARDWARE PACKED IN BOX #3

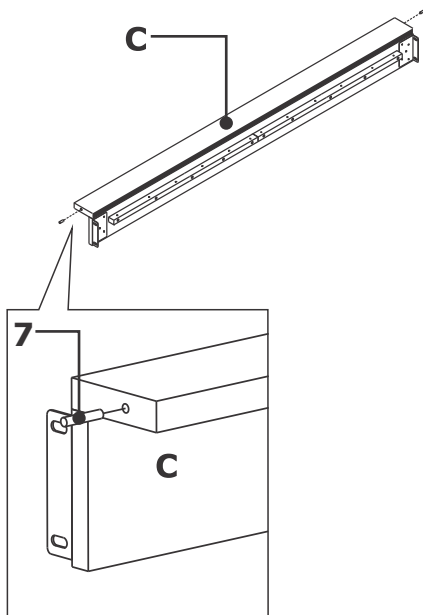
1	PHILLIPS HEAD BOLT (8x20mm)	8 PCS	2	SPRING WASHER (M8)	8 PCS	3	FLAT WASHER (M8)	8 PCS	4	ALLEN BOLT (6x40mm)	11 PCS
											
5	WOOD SCREW (8x30mm)	9 PCS	6	ALLEN KEY	1 PC	7	METAL PIN (8x40mm)	4 PCS			
											

TOOL REQUIRED : PHILLIPS HEAD SCREWDRIVER (NOT PROVIDED)

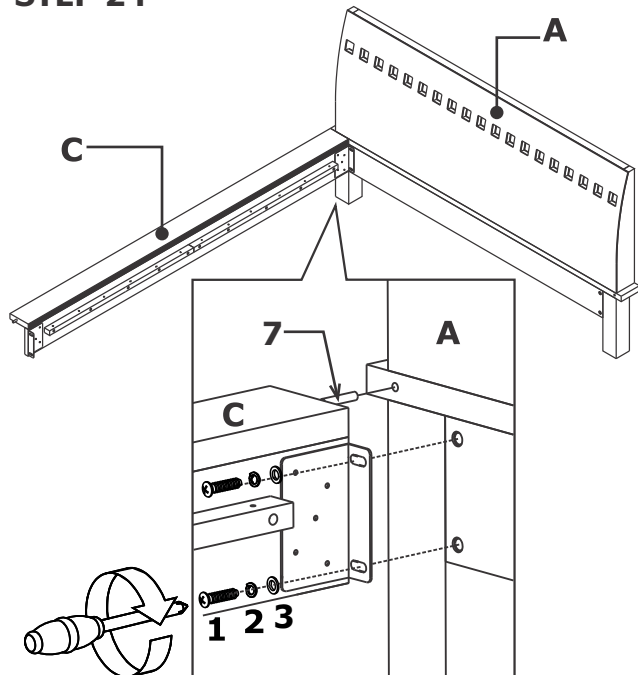
**YOUR BOX MAY CONTAIN EXTRA HARDWARE**

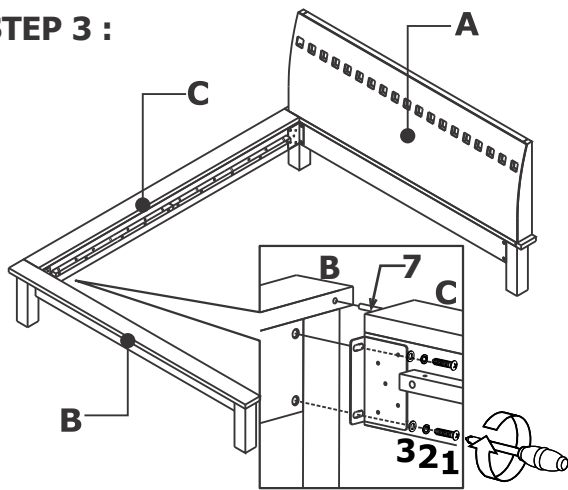
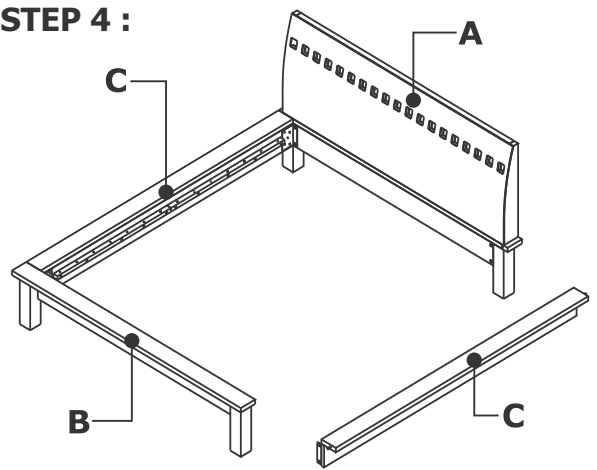


### STEP 1 :

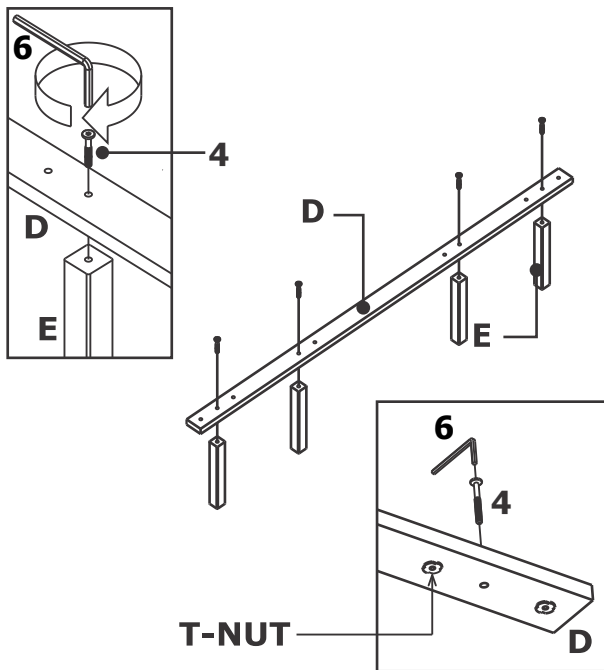
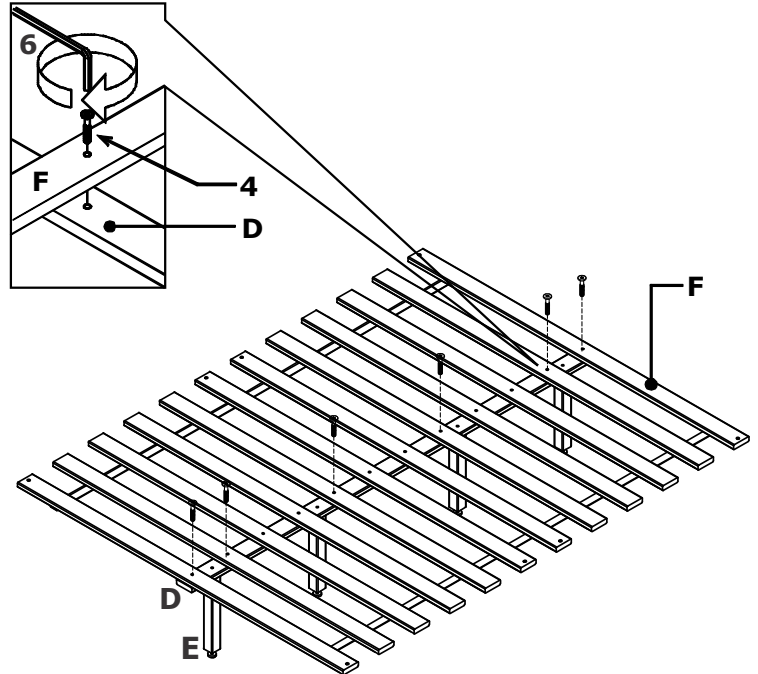
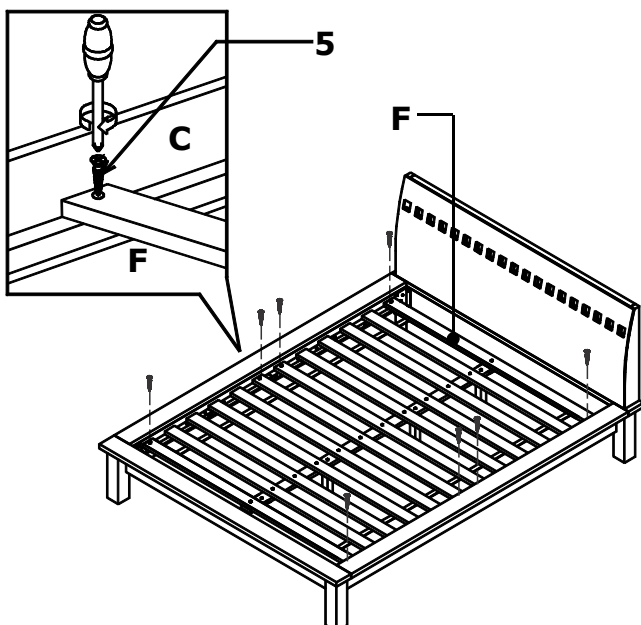


### STEP 2 :



**STEP 3 :****STEP 4 :****STOP**

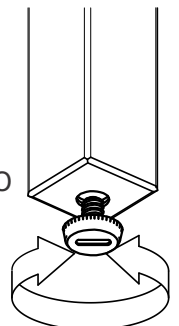
- IF USING BED FRAME WITH ADJUSTABLE MATTRESS BASE, SKIP TO APPENDIX A: ADJUSTABLE MATTRESS BASE ASSEMBLY SUPPLEMENT.
- IF USING BED FRAME WITH STANDARD BOX SPRING OR FOUNDATION CONTINUE TO STEP 5.

**STEP 5 :****STEP 6 :****STEP 7 :****INSTRUCTIONS FOR ADJUSTING LEVELERS:**

POSITION THE BED IN YOUR ROOM. LOCATE LEVELERS UNDER EACH SUPPORT LEG (E).

TURN LEVELERS COUNTER-CLOCKWISE TO EXTEND, CLOCKWISE TO RETRACT.

ADJUST LEVELERS UNTIL EACH SUPPORT LEG IS APPLYING EQUAL UPWARD PRESSURE ON THE CENTER SLAT.

**MAINTENANCE INSTRUCTIONS:**

- REMOVE BOX SPRING AND MATTRESS BEFORE MOVING YOUR BED.
- LIFT YOUR BED WHEN MOVING IT. DRAGGING CAN DAMAGE THE SUPPORT LEG.
- READJUST LEVELERS AFTER MOVING YOUR BED.

# TWIN/FULL/QUEEN/KING BED

## APPENDIX A: ADJUSTABLE MATTRESS BASE ASSEMBLY SUPPLEMENT

AN ADJUSTABLE MATTRESS BASE IS A FREESTANDING MATTRESS SUPPORT THAT SITS WITHIN THE PERIMETER OF THE BED FRAME.

IF USING THIS BED FRAME WITH A STANDARD BOX SPRING OR FOUNDATION THESE INSTRUCTIONS DO NOT APPLY.

PRE-ASSEMBLED SIDE RAIL CLEATS OBSTRUCT ADJUSTABLE BASE INSTALLATION AND OPERATION.

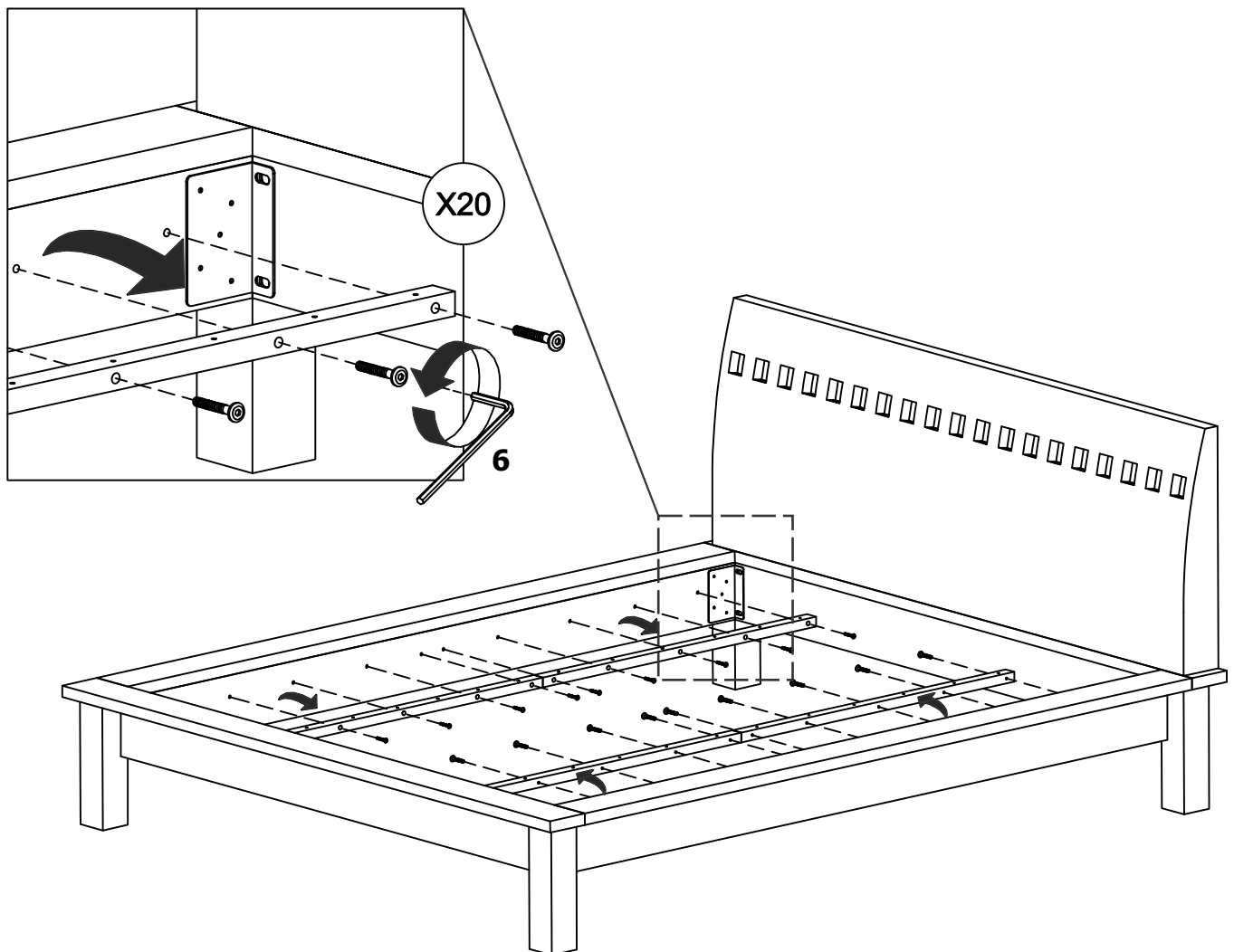
FOLLOW THESE INSTRUCTIONS TO REMOVE THEM.

### THE FOLLOWING PARTS ARE NOT REQUIRED FOR ADJUSTABLE MATTRESS BASE INSTALLATION:

D. CENTER SLAT	1 PC	4. ALLEN BOLT (6x40mm)	11 PCS
E. SUPPORT LEG	4 PCS	5. WOOD SCREW (8x30mm)	9 PCS
F. SLAT ROLL	1 SET		

### STEP 1 :

USE ALLEN KEY (6) TO UNSCREW ALLEN BOLTS AND REMOVE PRE-ASSEMBLED SIDE RAIL CLEATS.



NOTE: YOU MAY WISH TO RETAIN UNUSED PARTS IF IN THE FUTURE YOU INTEND TO USE THE BED FRAME WITH A STANDARD BOX SPRING OR FOUNDATION.