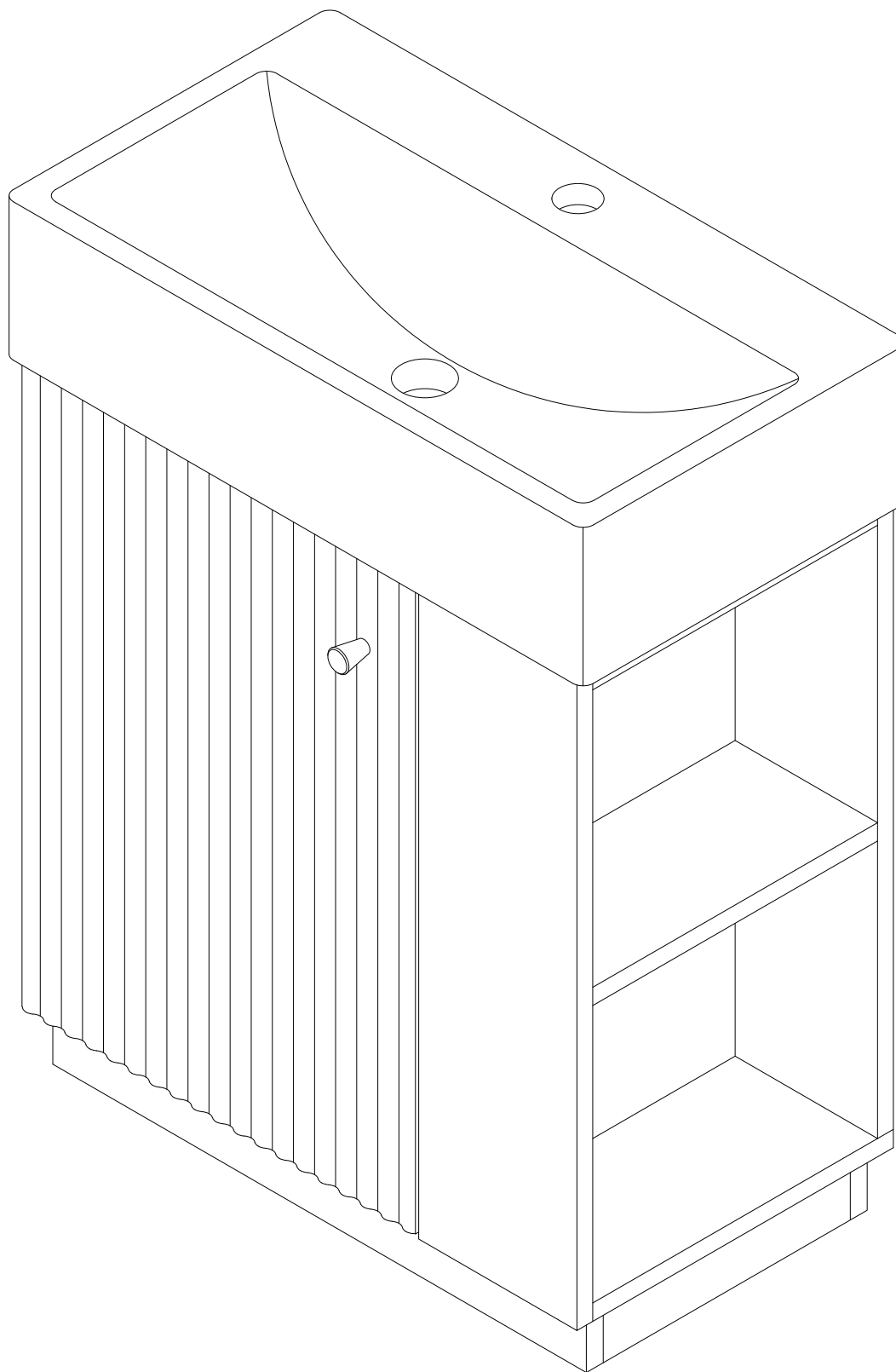
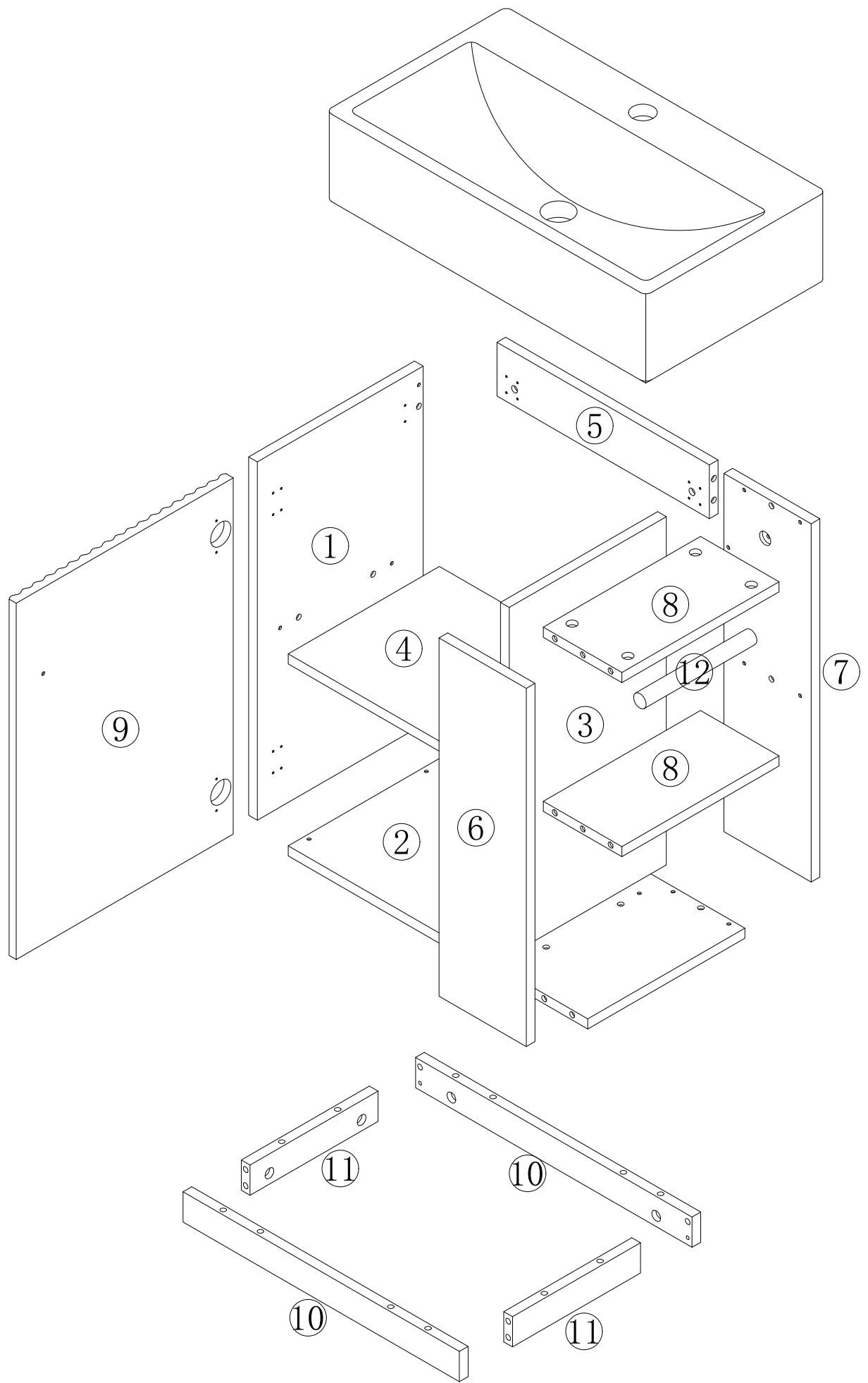
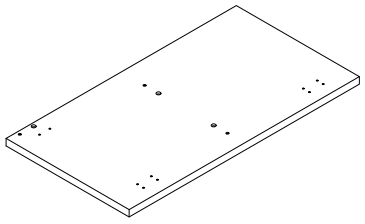
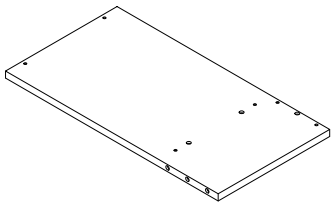
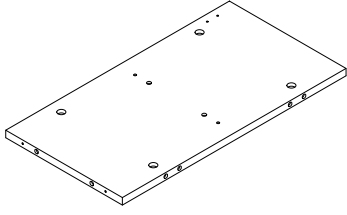
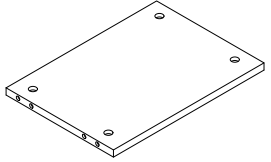
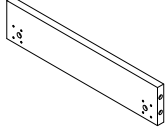
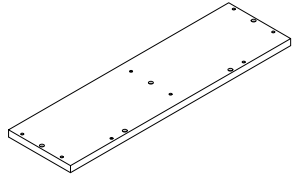
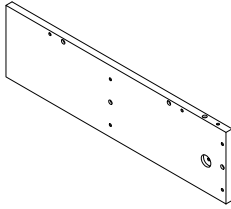
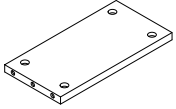
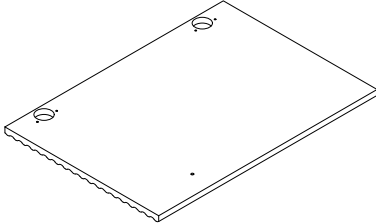
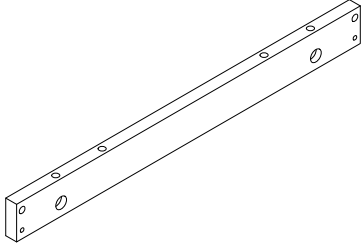
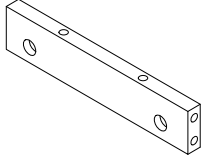
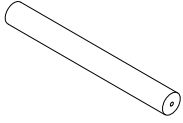


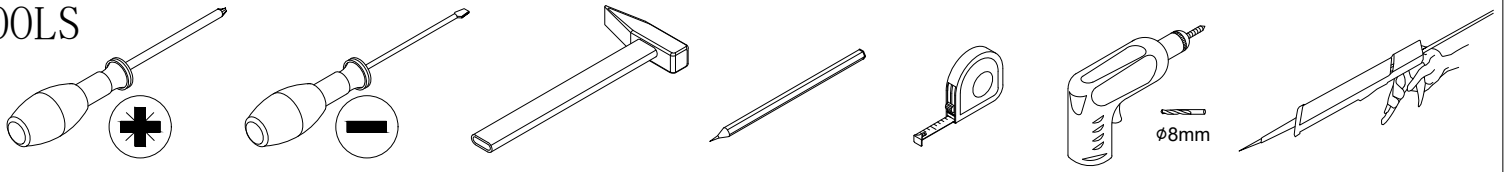
ASSEMBLY INSTRUCTION

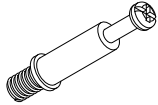




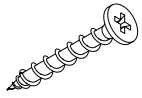


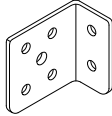
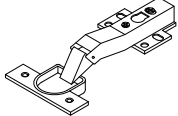
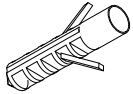
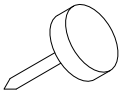
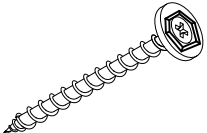
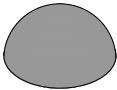






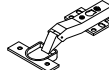
			
① x1	② x1	③ x1	④ x1
			
⑤ x1	⑥ x1	⑦ x1	⑧ x2
			
⑨ x1	⑩ x2	⑪ x2	⑫ x1

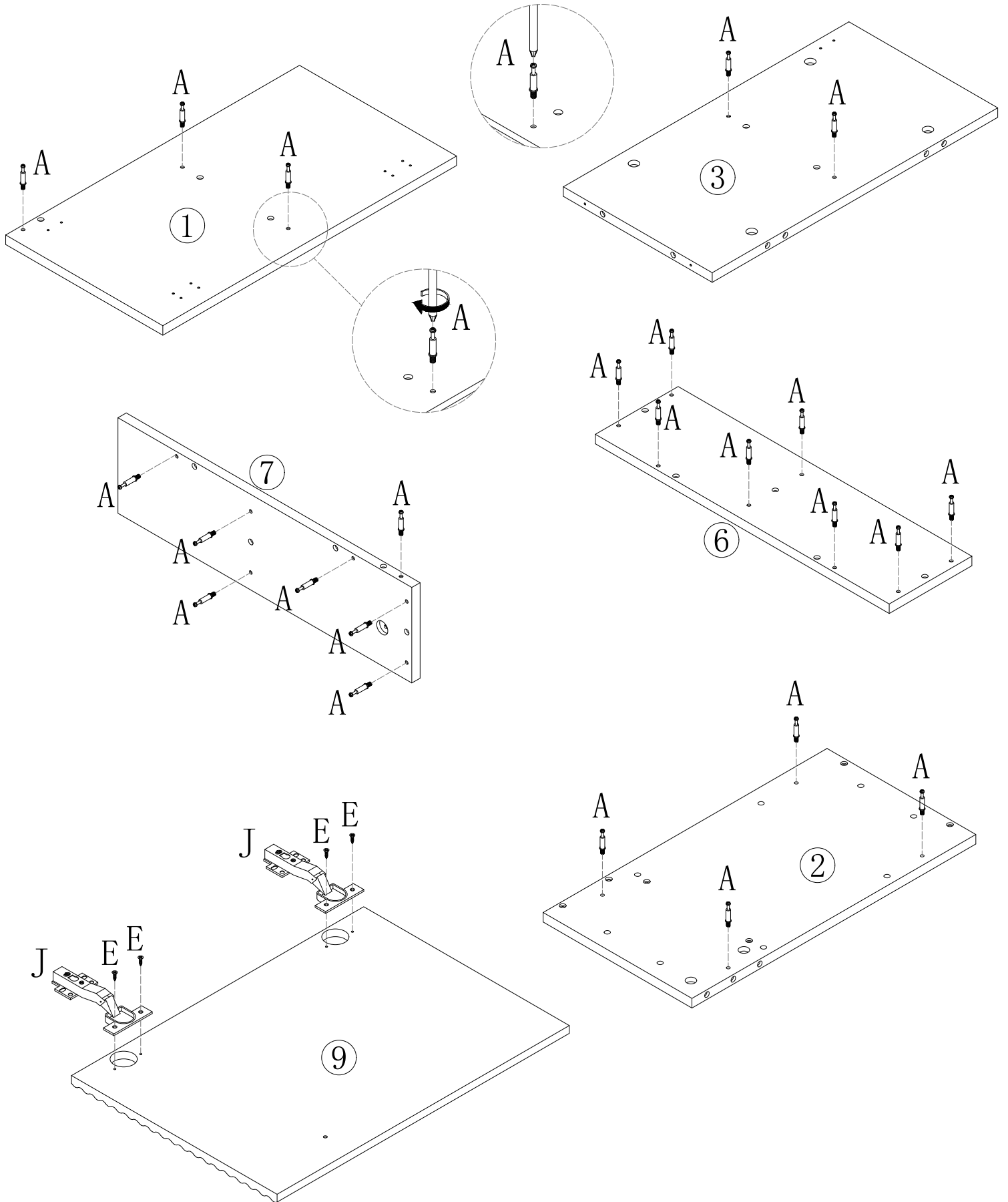
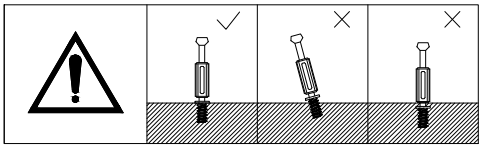
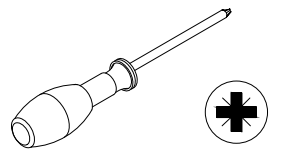
TOOLS






A * 28	B * 28	C * 30	D * 12	E * 12
				
M6 X 35mm	Ø15 x 12mm	Ø8 x 30mm	M4 x 14mm	M4 x 14mm
F * 7	G * 1	H * 1	I * 2	J * 2
				
M4 x 35mm	M4 x 20mm			Ø35
K * 2	L * 4	M * 2	N * 4	
				
Ø8 x 40mm		M6 x 60mm		

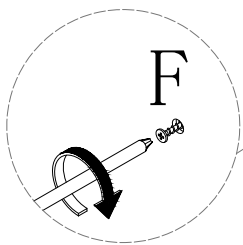
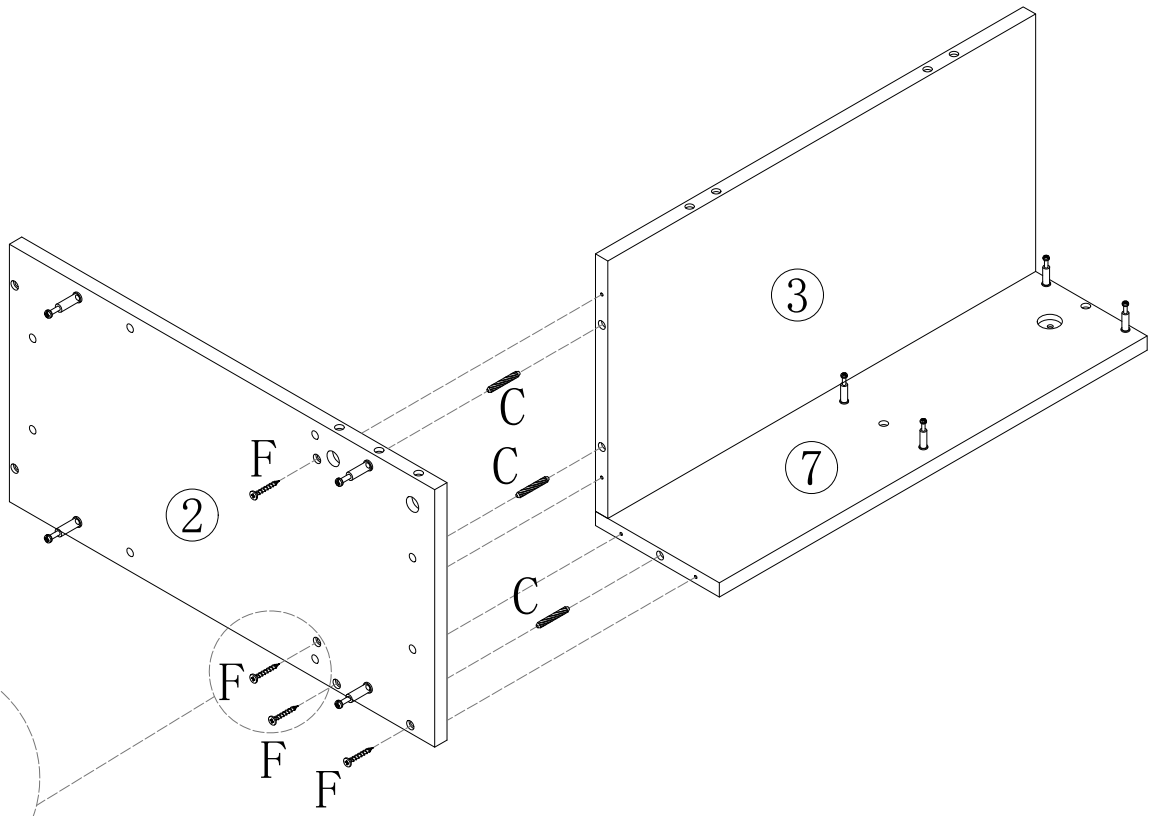
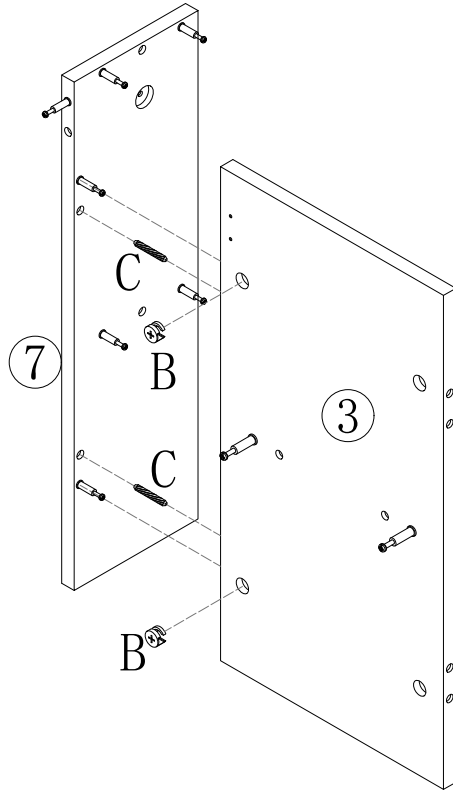
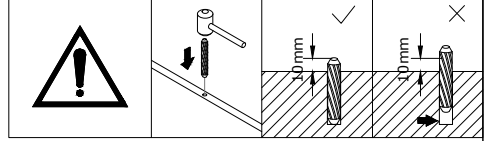
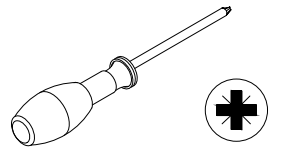
Step 1

A * 24	E * 4	J * 2
 M6 X 35mm	 M4 x 14mm	 Ø35





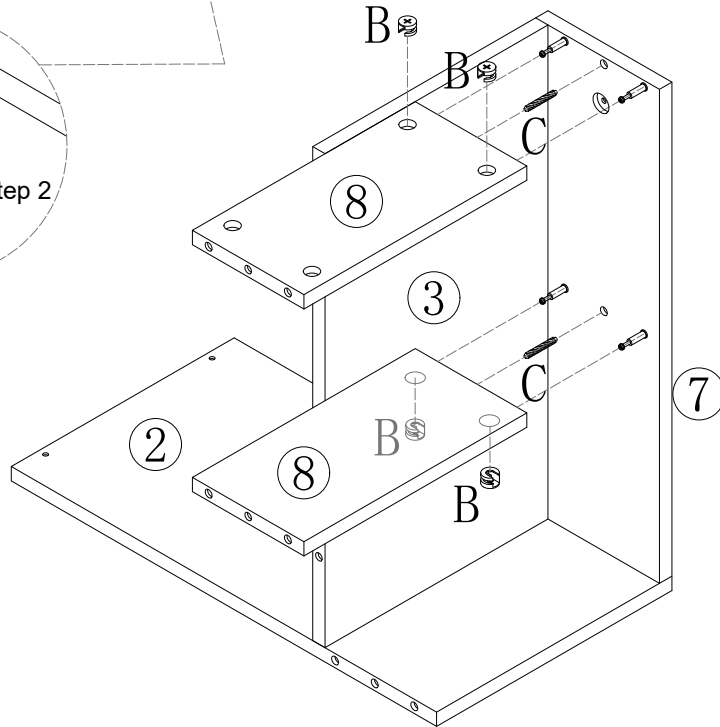
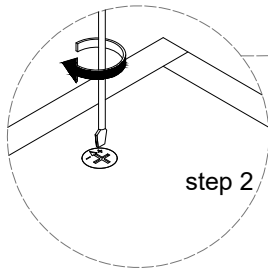
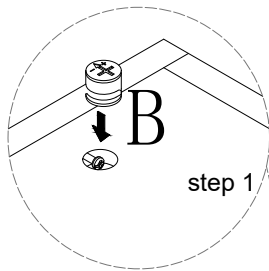
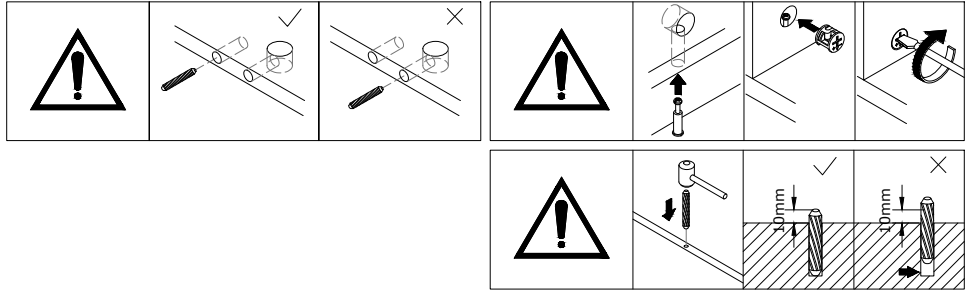
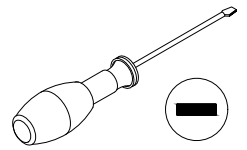
Step 2

C * 5	F * 4	B * 2
 Ø8 X 30mm	 M4 X 35mm	 Ø15 x 12mm





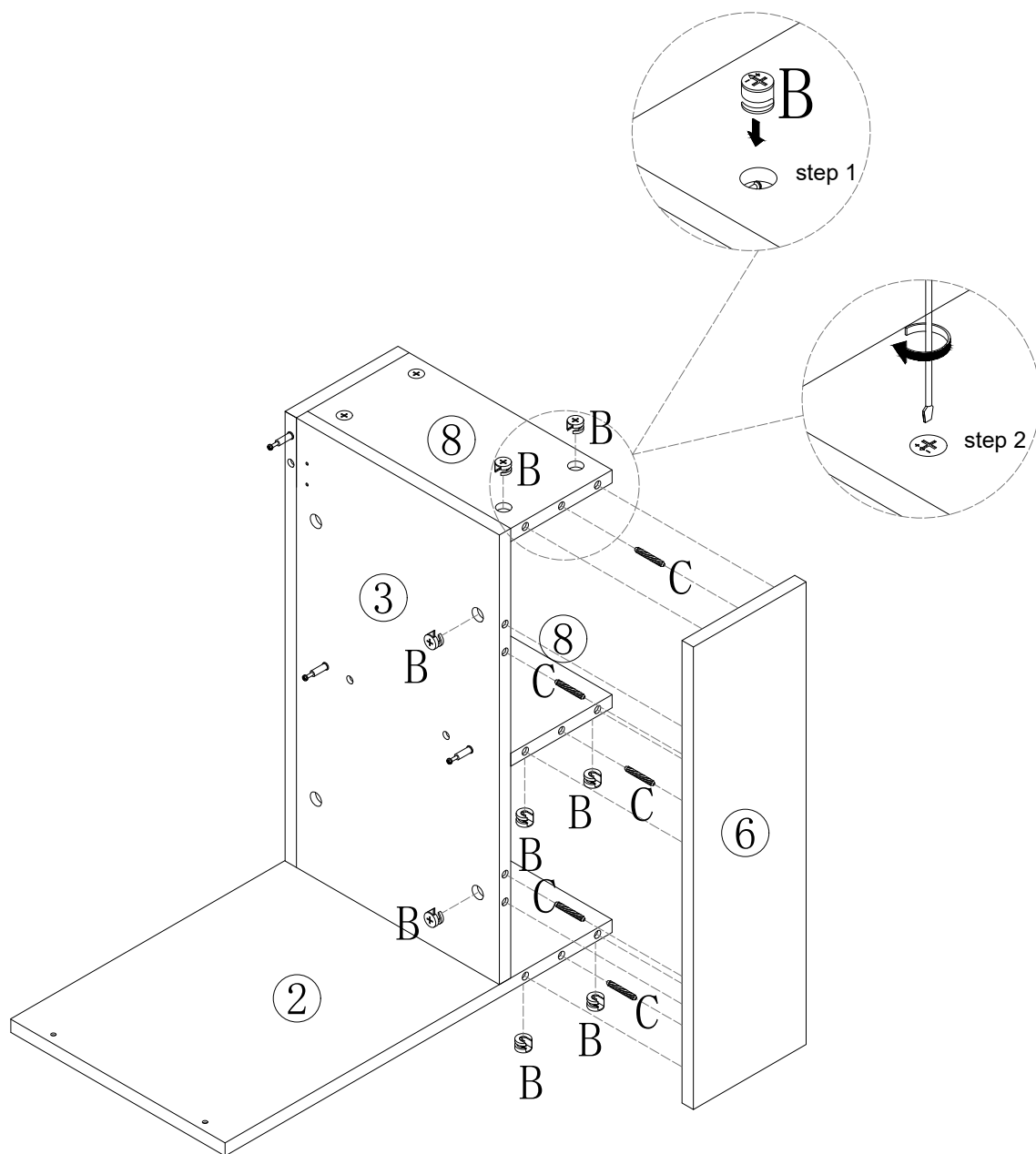
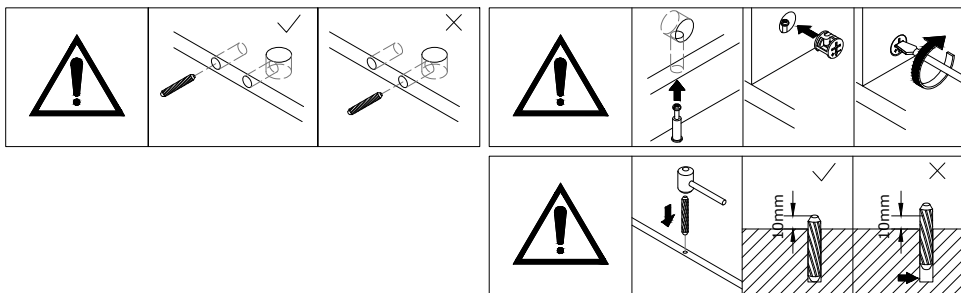
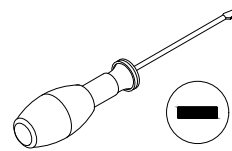
Step 3

B * 4  Ø15 x 12mm	C * 2  Ø8 x 30mm
--	---





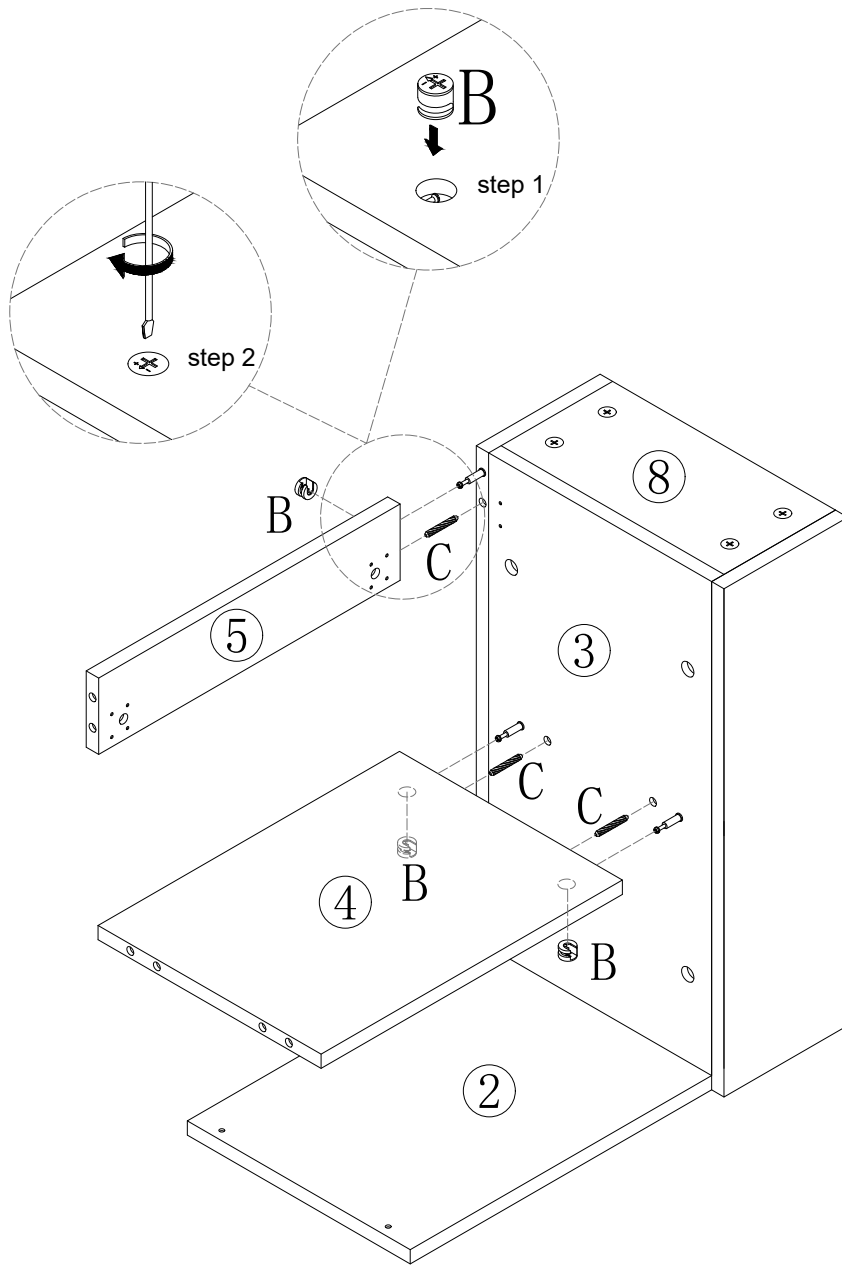
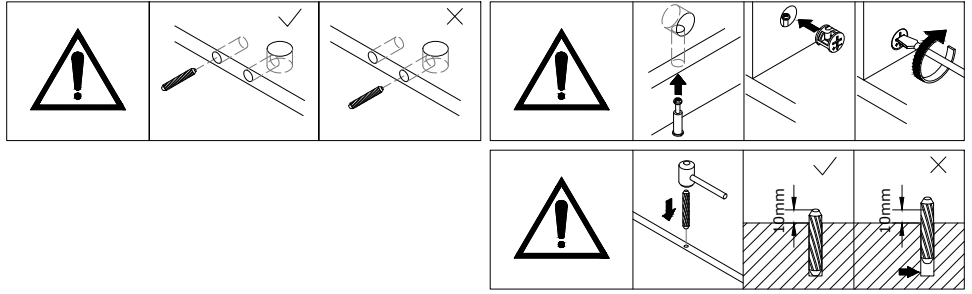
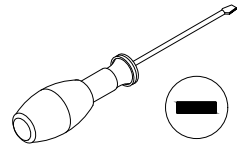
Step 4

B * 8	C * 5
 Ø15 x 12mm	 Ø8 x 30mm





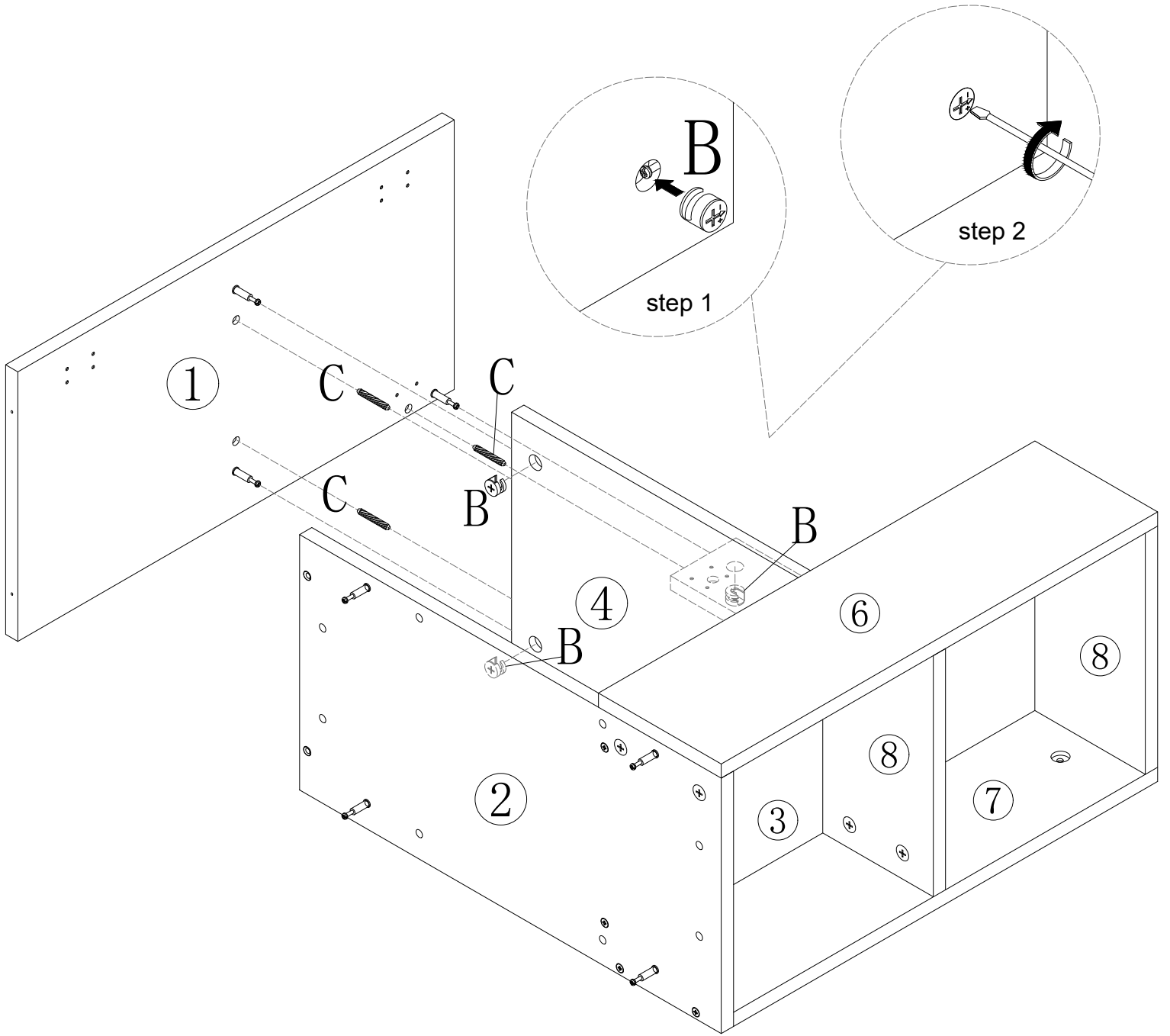
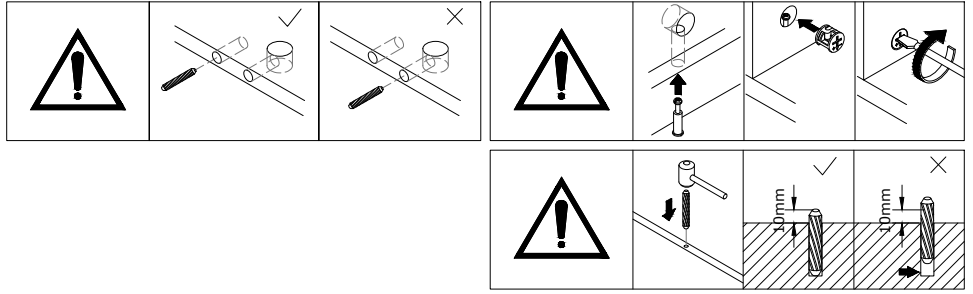
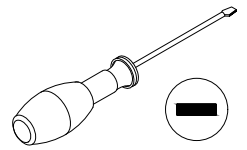
Step 5

B * 3	C * 3
 Ø15 x 12mm	 Ø8 x 30mm



Step 6

B * 3  Ø15 x 12mm	C * 3  Ø8 x 30mm
--	---

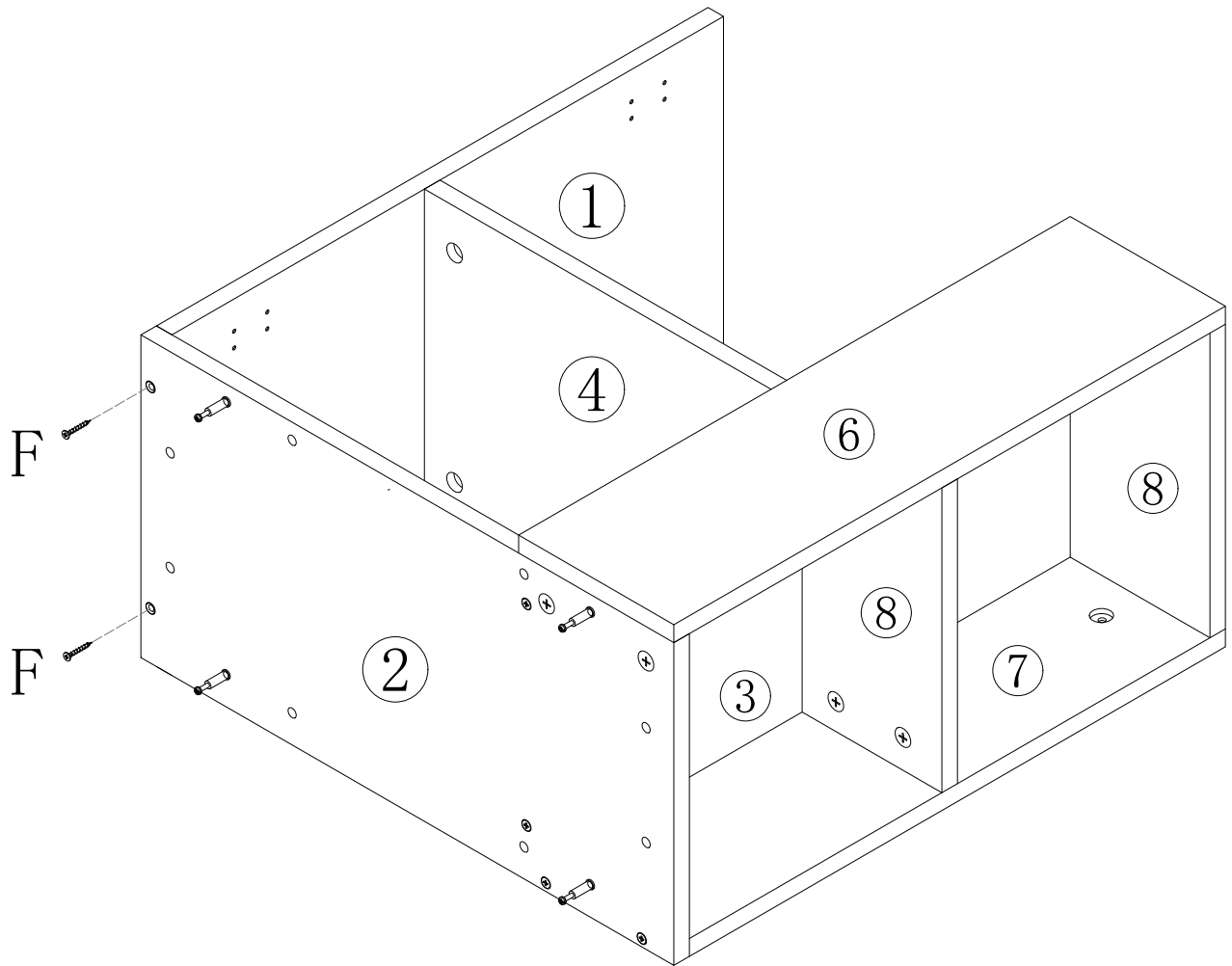
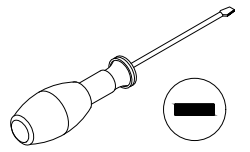


Step 7

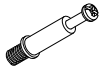



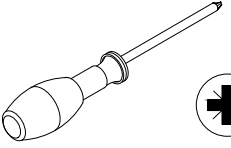


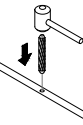
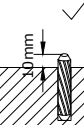
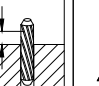

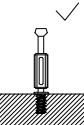



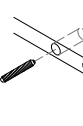
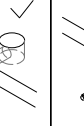
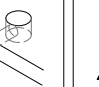

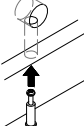
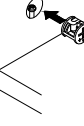
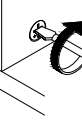
F * 2

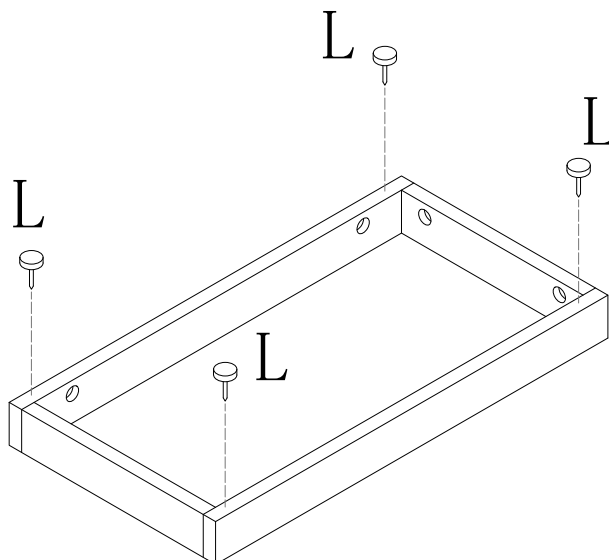
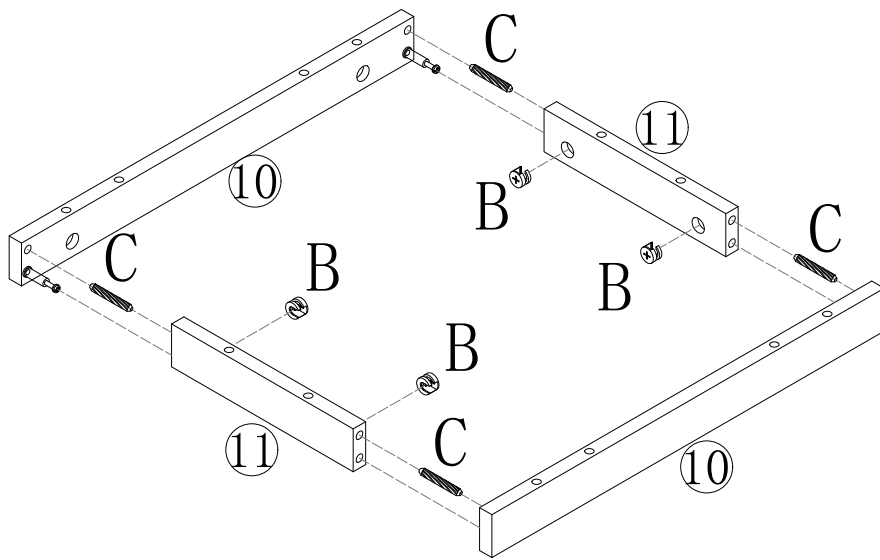
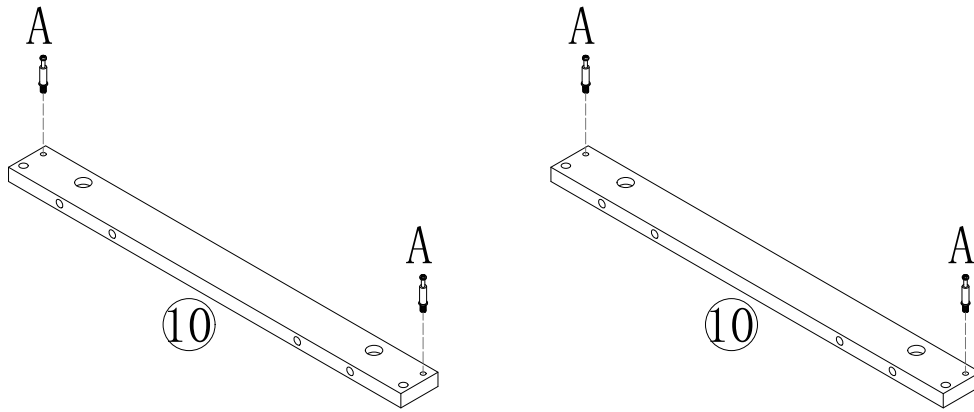


M4 X 35mm





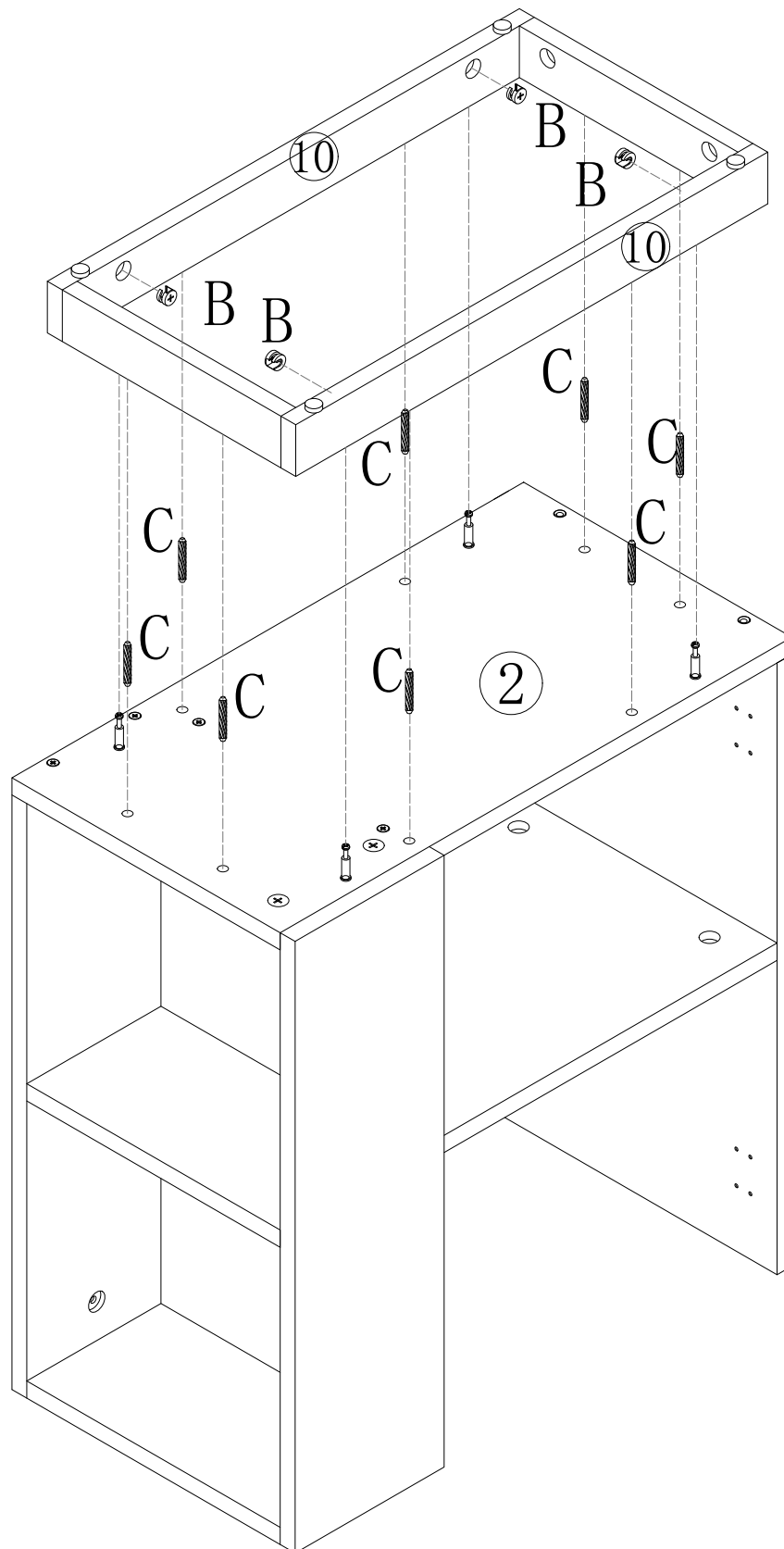
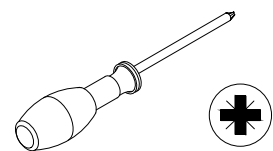
Step 8

A * 4	B * 4	C * 4	L * 4				
 M6 X 35mm	 Ø15 x 12mm	 Ø8 x 30mm		 			
							
							


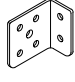


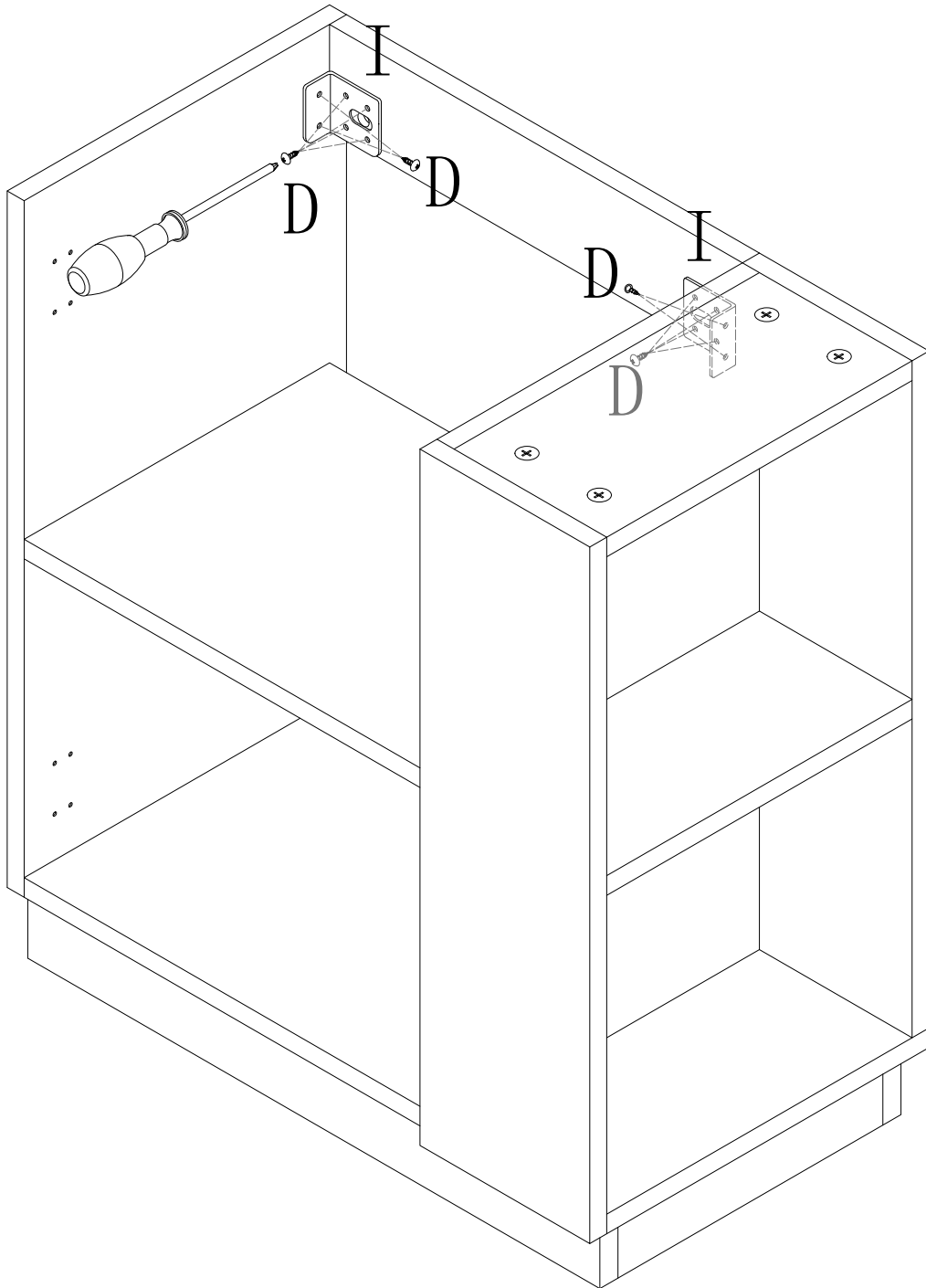
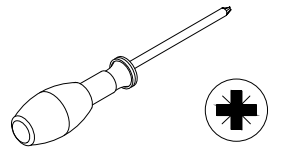
Step 9

B * 4	C * 8
 Ø15 x 12mm	 Ø8 x 30mm



Step 10

D * 12	I * 2
 M4 x 14mm	

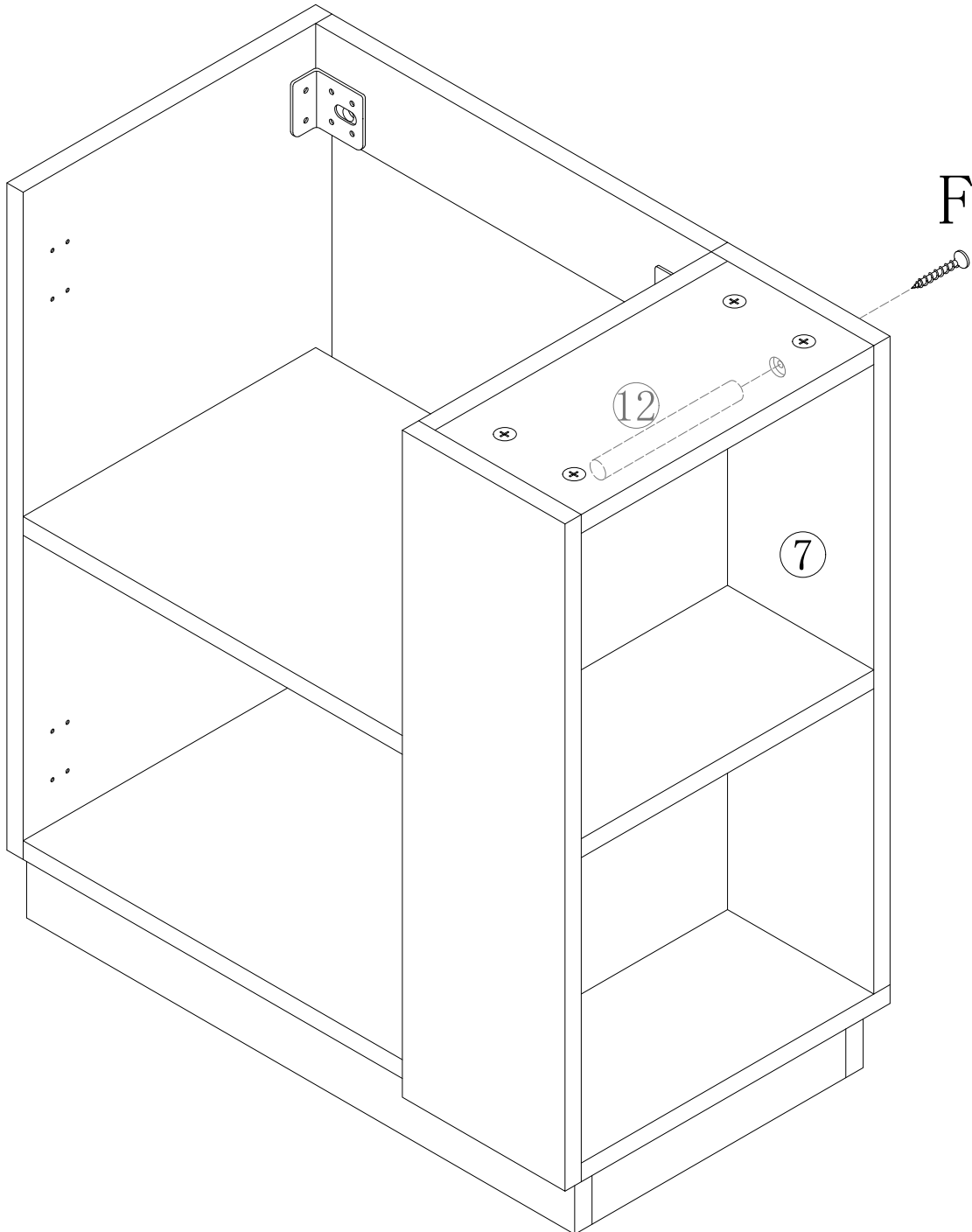
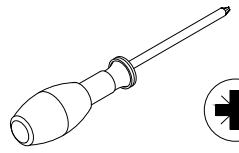


Step 11

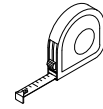
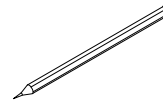
F * 1



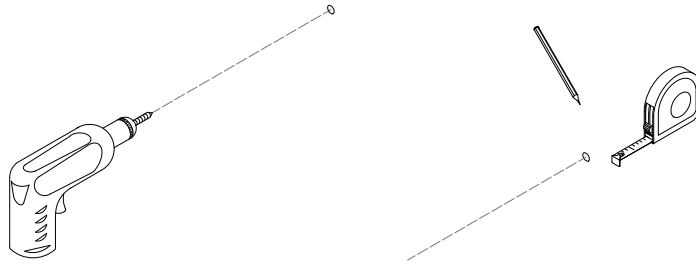
M4 X 35mm



Step 12




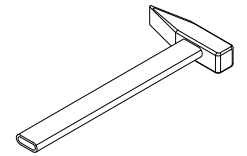
Wall



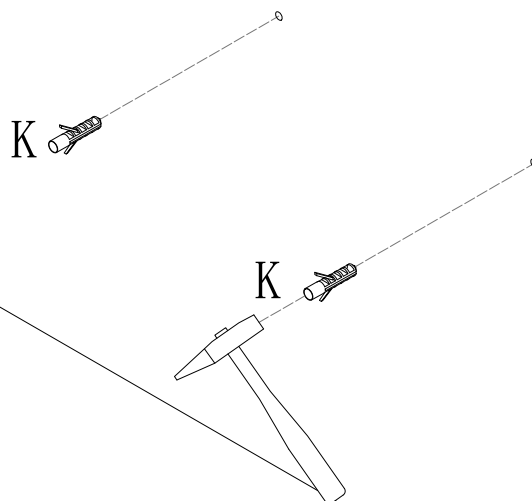
Please mark the location on the wall with a pencil, then punch the hole

Step 13

K * 2

Ø8 x 40mm



Wall

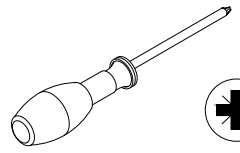


Step 14

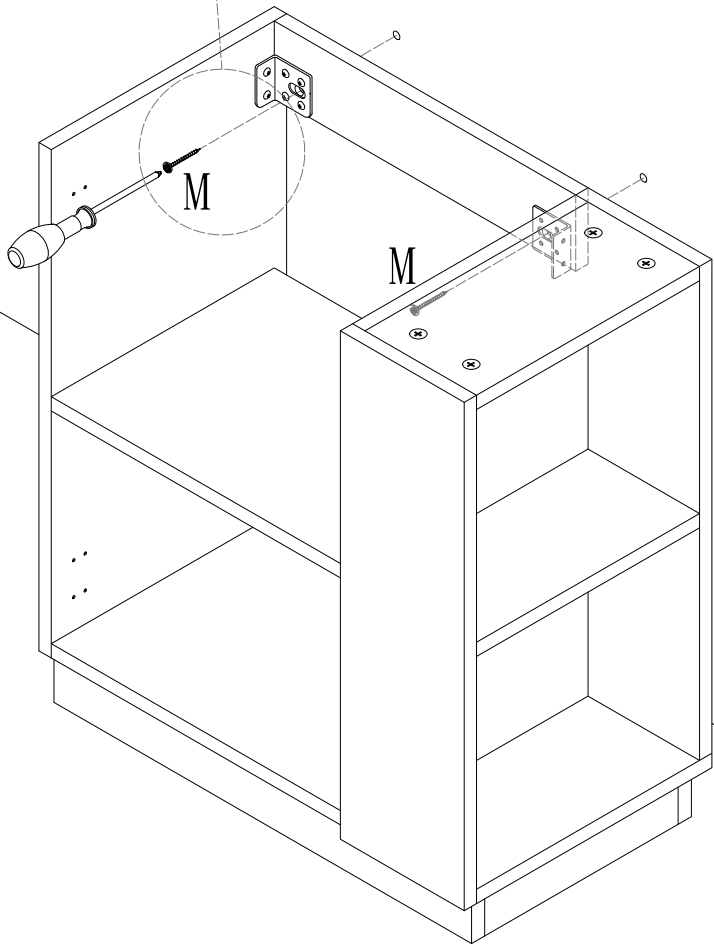
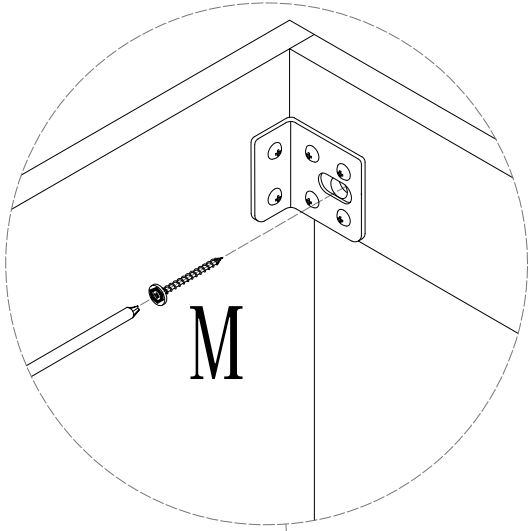
M * 2






M6 x 60mm

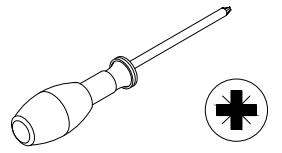


Wall

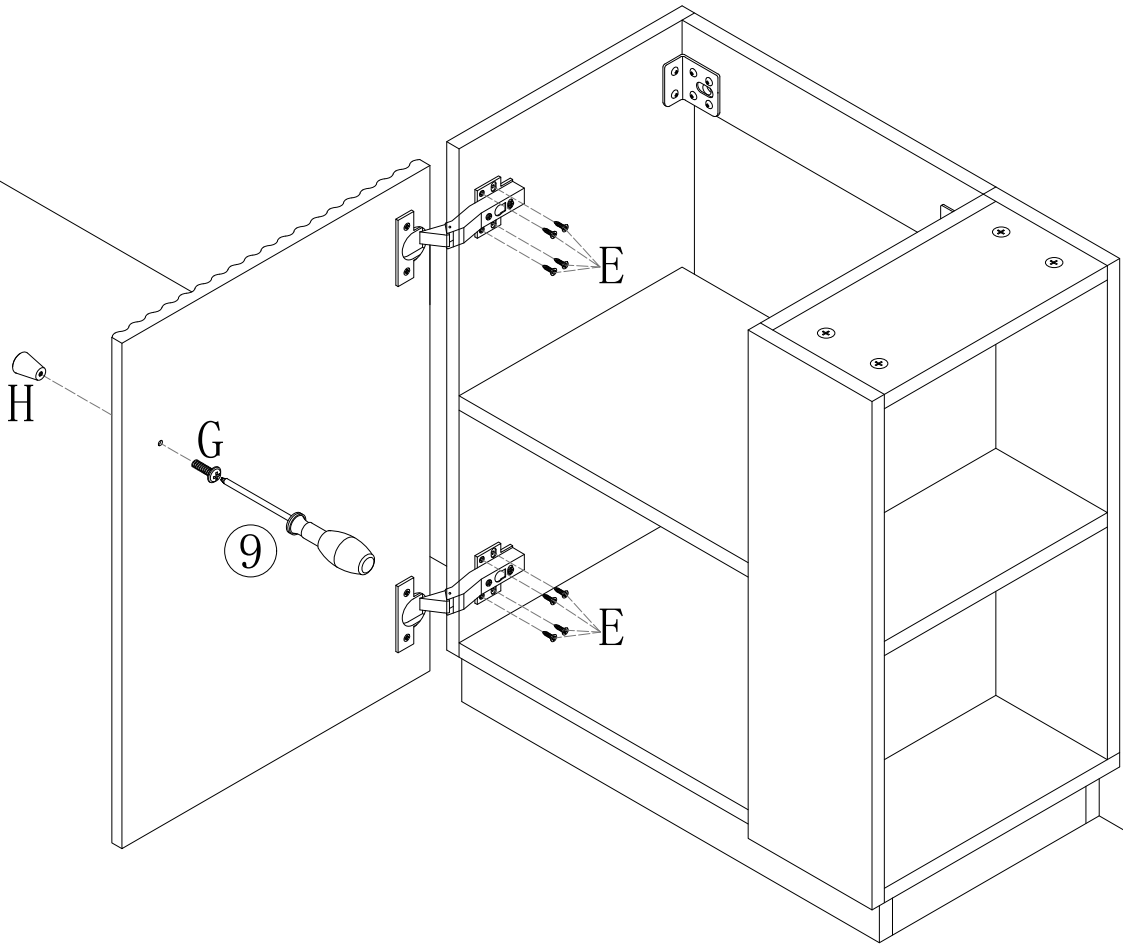


Step 15

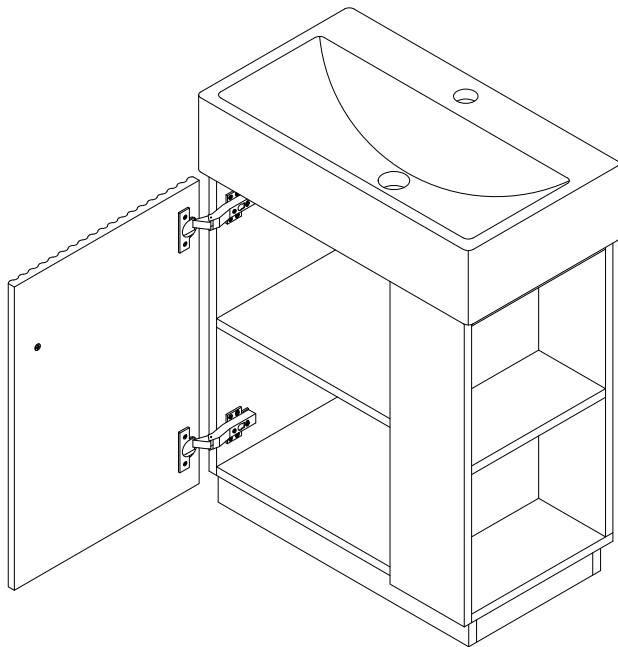
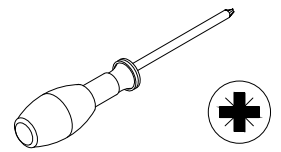
E * 8	G * 1	H * 1
 M4 x 14mm	 M4 x 20mm	



Wall

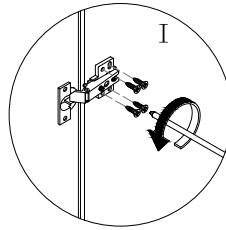


Step 16

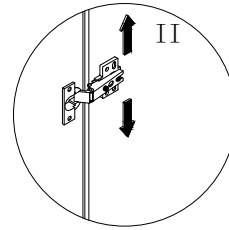


Adjust door following the direction.

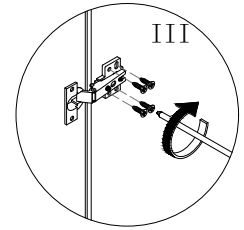
Adjust the door up and down to match the cabinet.



I:loosen the screw.



II:Adjust the upper and lower position.

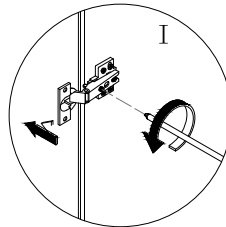


II:tighten the screw.

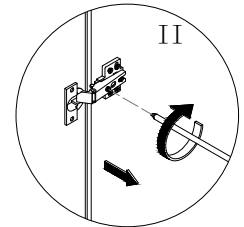


When the door position is not standard,please adjust the door according to the right picture.

Adjust the door left and right to match the cabinet for suitable crack of the door



I:loosen the screw to keep hinge apply force toward the direction of arrow.

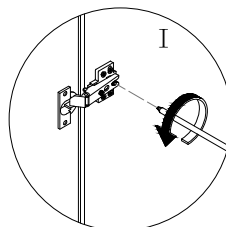


II:tighten the screw to keep hinge apply force toward the direction of arrow.

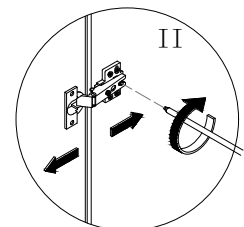


Please place the cabinet on the flat floor before adjustment.

Adjust the door backwards and forwards to match the cabinet.



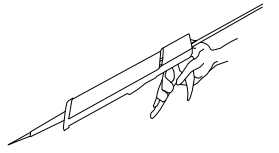
I:loosen the screw.



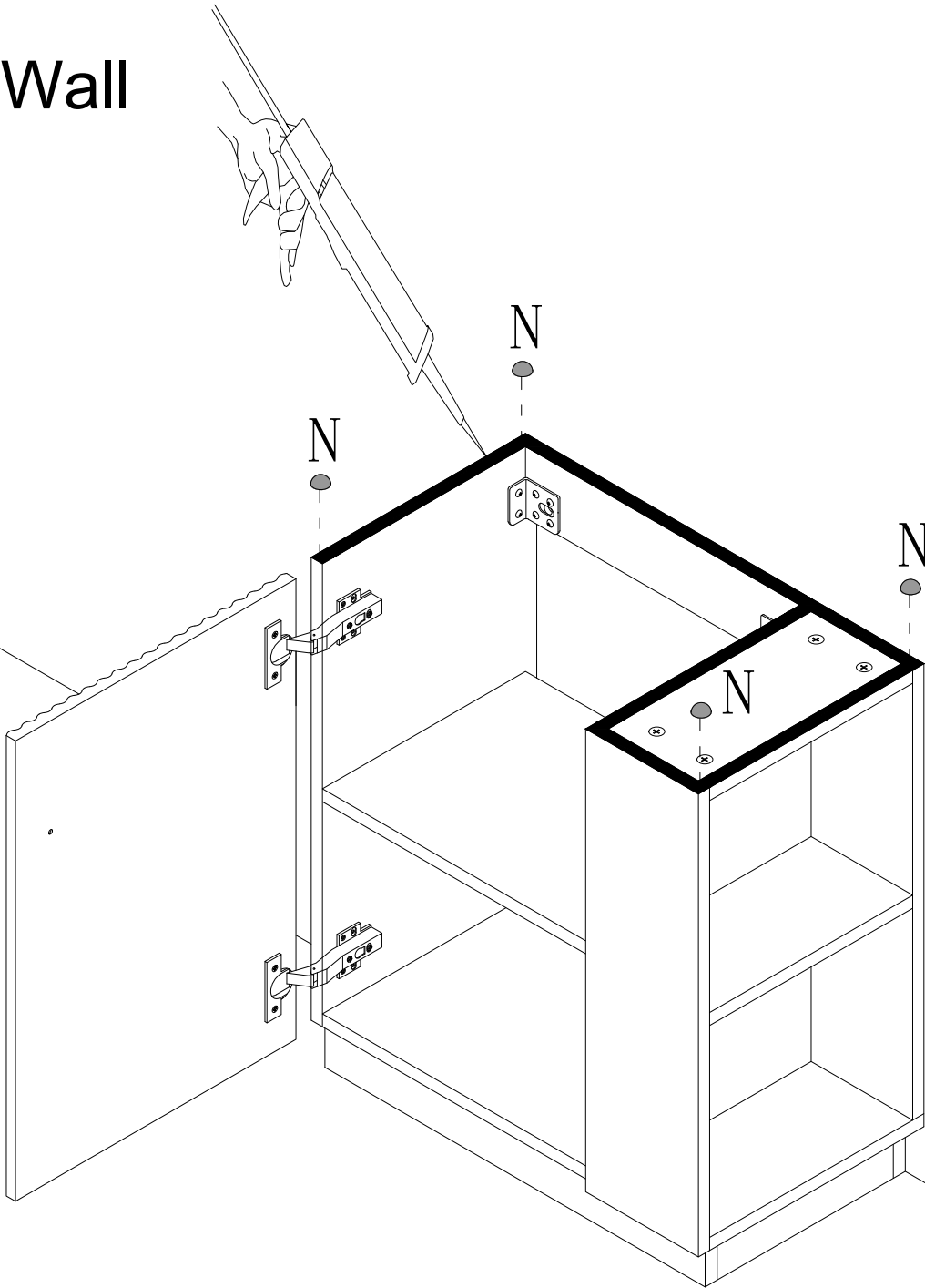
II:Adjust the distance between front and back.

Step 17

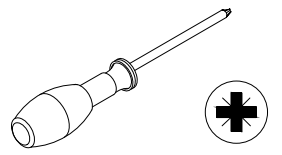
N * 4



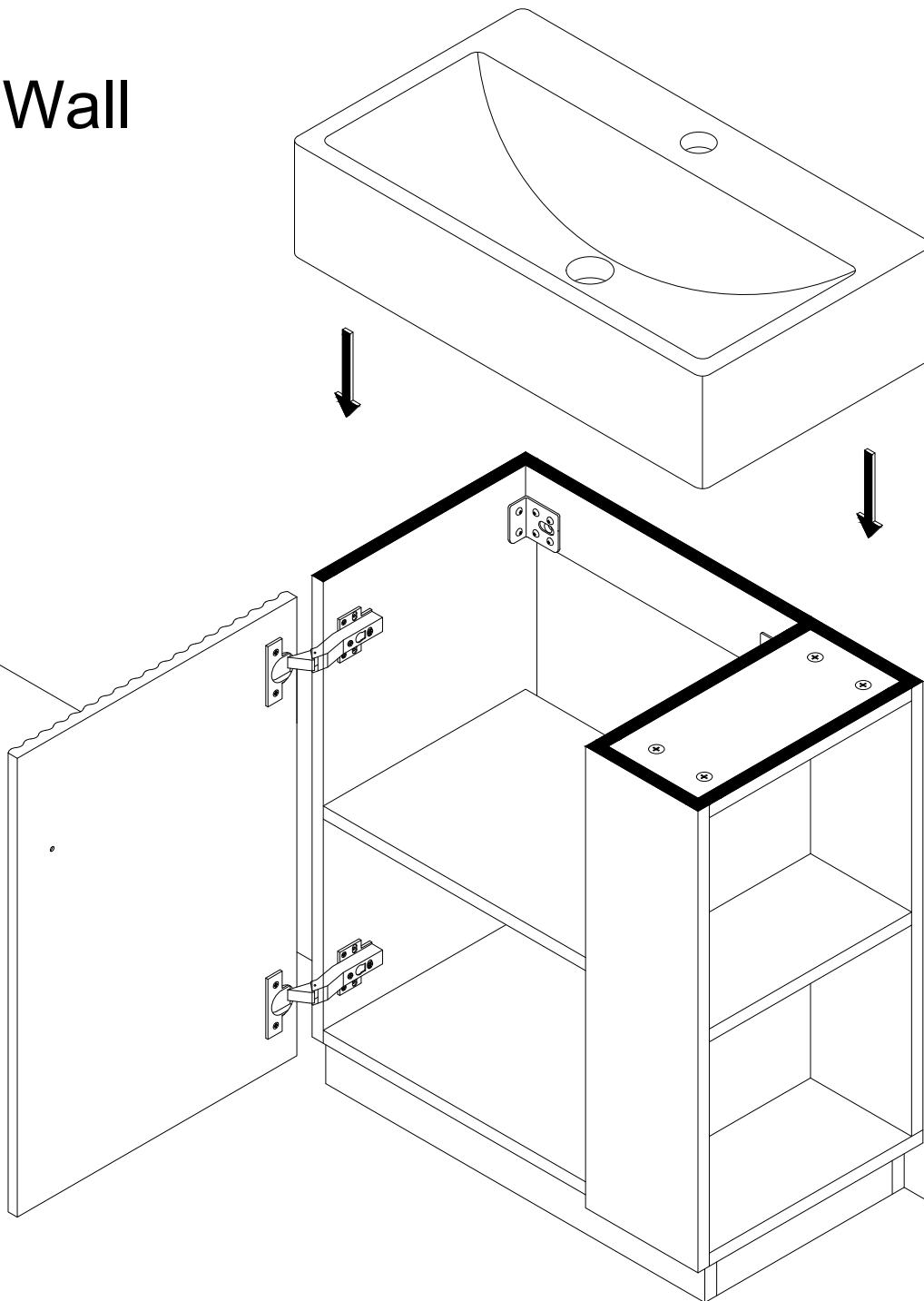
Wall



Step 18



Wall



Step 19

