

ASSEMBLING & INSTALLATION INSTRUCTIONS

The drawing shown may not exactly match the product enclosed.
However, the installation instructions do apply to this product.

- ◆ **WARNING! SHUT POWER OFF AT FUSE OR CIRCUIT BREAKER.**
- ◆ **ATTENTION! COUPER LE COURANT AU FUSIBLE OU UN DISJONCTEUR.**

ASSEMBLING THE FIXTURE (Fig.1)

1. Shut off the power at the fuse box or circuit breaker box. Remove the old fixture from ceiling, including the single bar.
2. Carefully unpack your new fixture and lay out all the parts on a clear area. Take care not to lose any small parts necessary for installation.
3. Thread the pipe screw part way into the center hole of the single bar and secure with hex nut.
4. Attach the single bar to the junction box using two box screws as shown. **The side of the single bar marked "GND" must face out** . The junction box is not included.
5. Hold the pan(A) towards the single bar and connect the electrical wires as follows (See **Fig.2**). Connect the black wire from the fixture to the black house (hot) wire; connect the white wire from the fixture to the white house (neutral) wire. Make sure all wire nuts are secured. You may wrap the connections with electrical tape. If your Junction box has a ground wire (green or bare copper) connects fixture's ground wire to it. Otherwise attach the bare copper fixture wire to the green ground screw on the single bar. Tuck the wire connections neatly into the ceiling junction box as you are holding the fixture assembly toward the ceiling.
6. Raise plate(A) onto the junction box, aligning pipe screw on single bar with center hole in plate and lock it securely with the ball nut(B).
7. Install the light bulbs(Not included) in accordance with the fixture's specifications. **DO NOT EXCEED THE MAXIMUM WATTAGE RATING!**
8. Attach the glass shade(C) to the crown(E), raise the assembly to the pan, aligning the thread hole of pan with the crown's hole, then tighten it with the screws(D).

Your installation is now complete. Return power to the junction box and test the fixture.

FIG.1

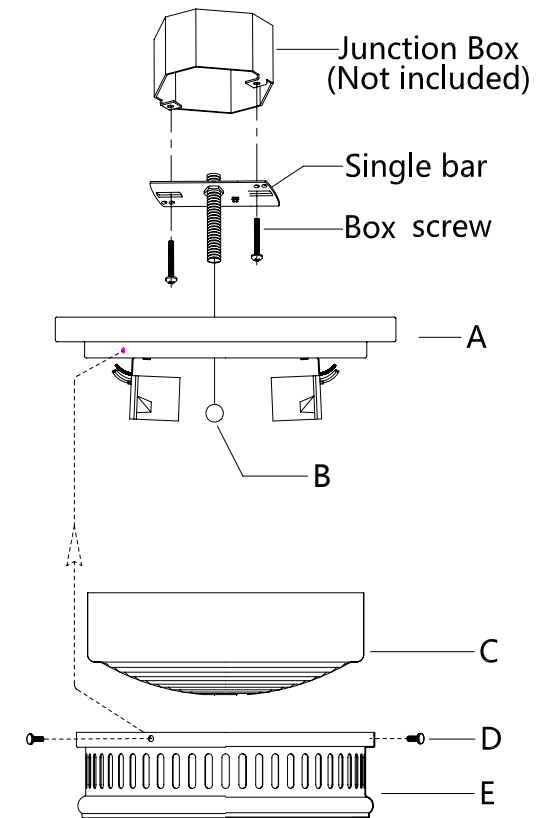
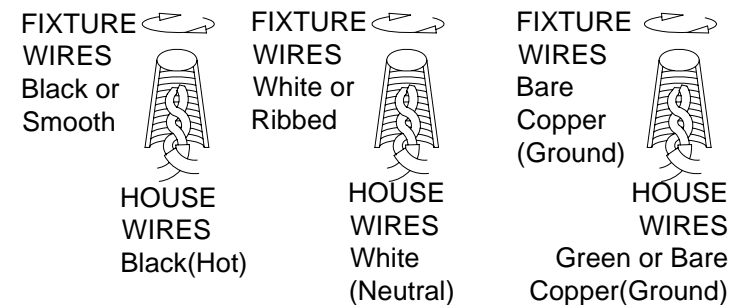


FIG.2



Thank you for purchasing a product.
Need assistance with parts or assembly? Please call customer service