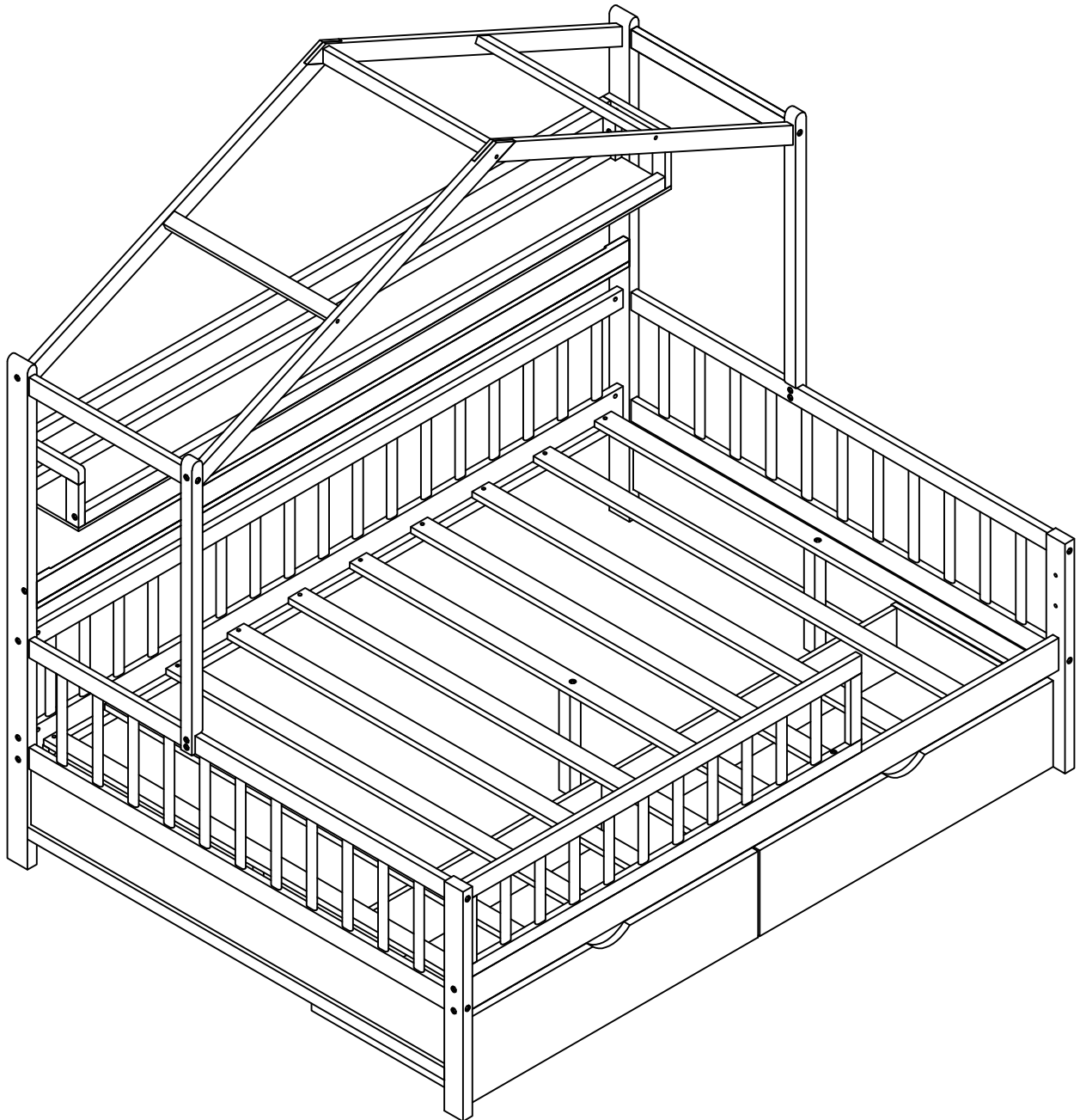
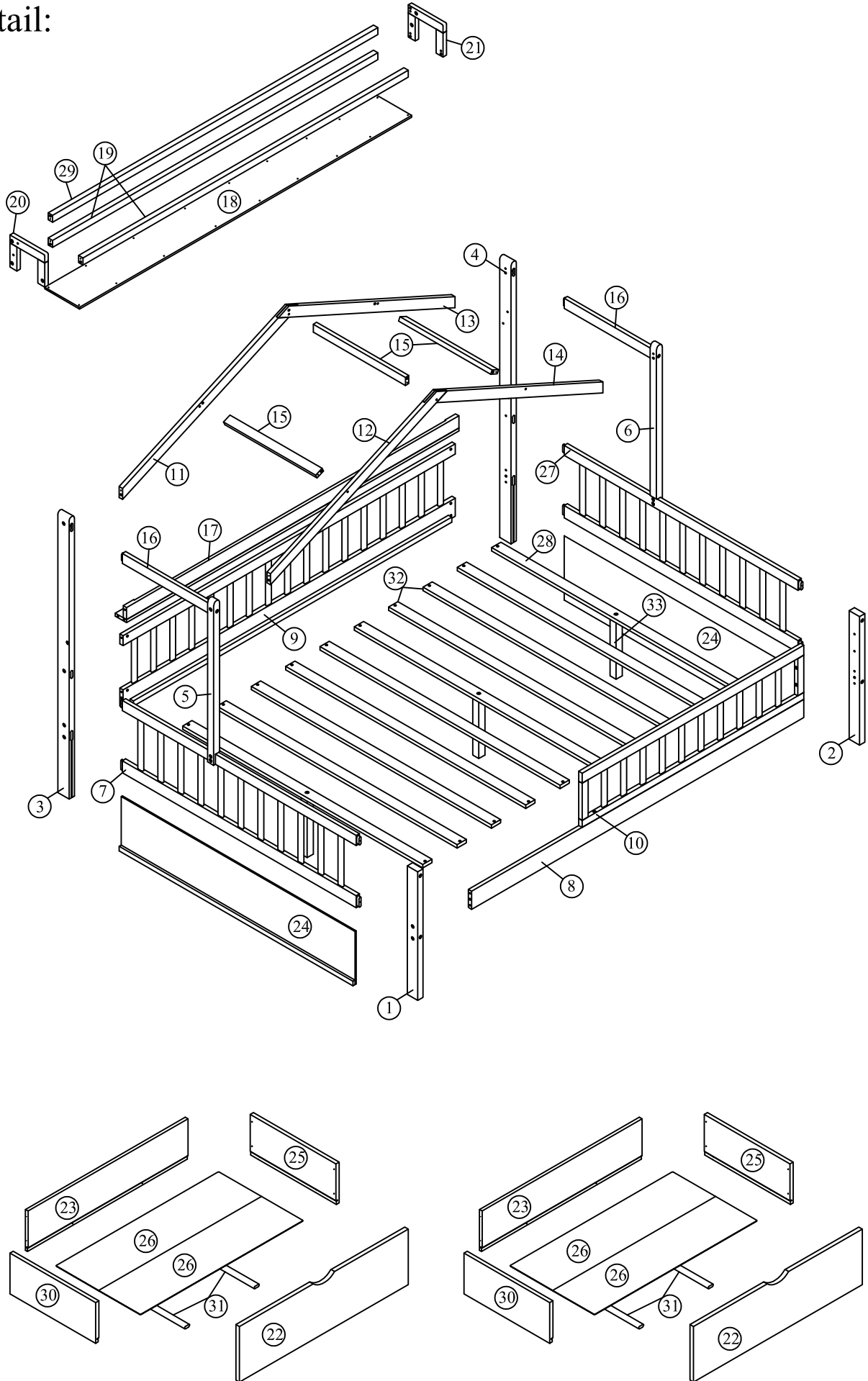


ASSEMBLY INSTRUCTION

SKU CODE: WF308873

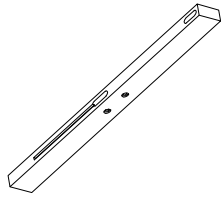


Detail:



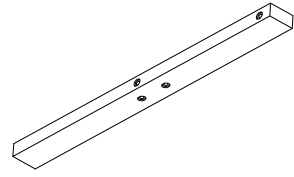
Part List (WF308873)

① x1



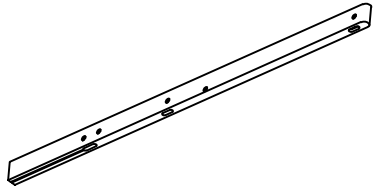
Front Left Leg

② x1



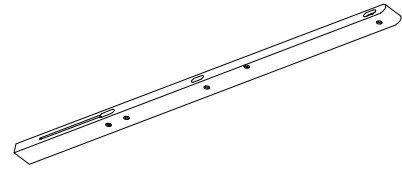
Front Right Leg

③ x1



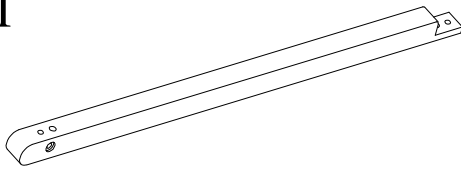
Back Left Leg

④ x1



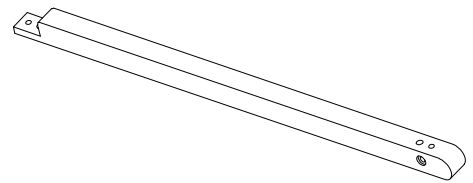
Back Right Leg

⑤ x1



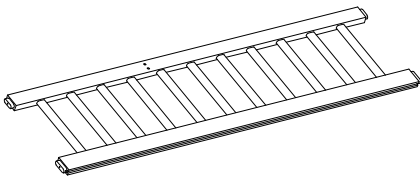
Mid (Left) Leg

⑥ x1



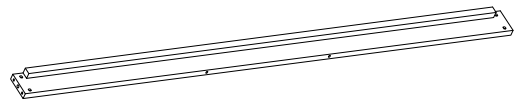
Mid (Right) Leg

⑦ x1



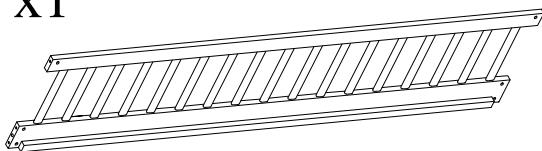
Frames Headboard

⑧ x1



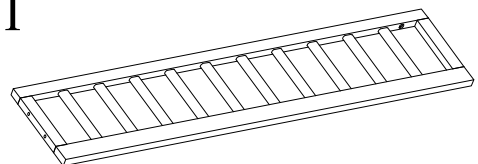
Side Rail

⑨ x1



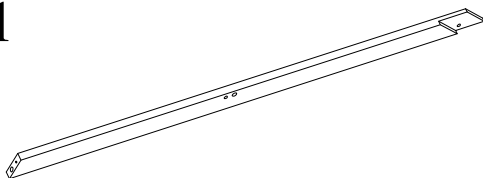
Side Rail

⑩ x1



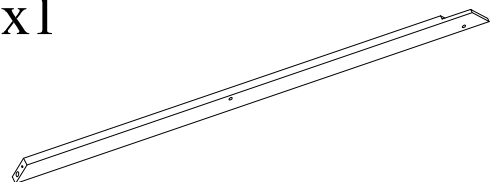
Side Rail Guards

⑪ x1



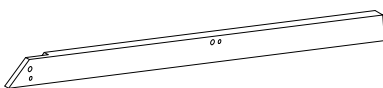
Back Left Roof Rail

⑫ x1



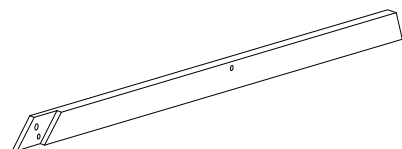
Front Left Roof Rail

⑬ x1



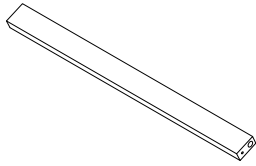
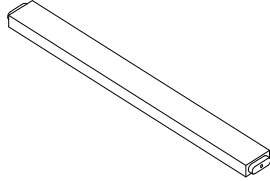
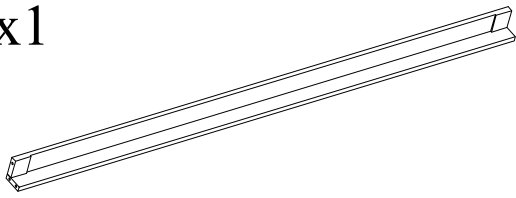
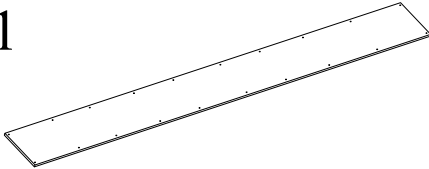

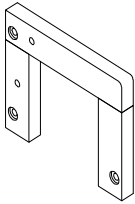
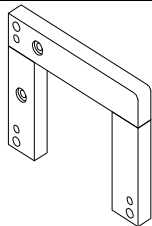
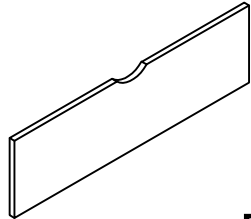
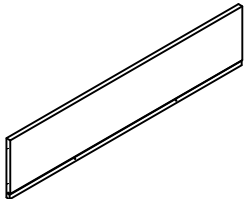

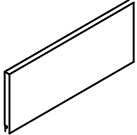
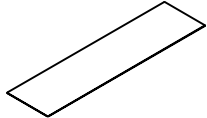
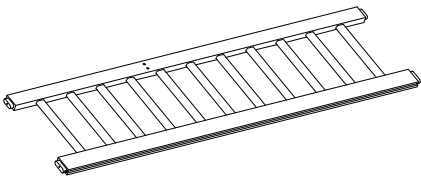
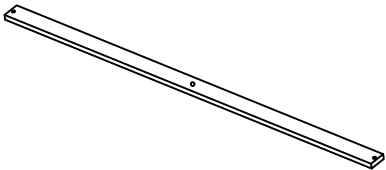
Back Right Roof Rail

⑭ x1



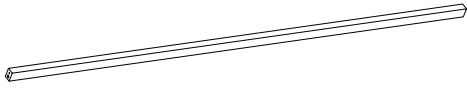
Front Right Roof Rail

Part List (WF308873)

<p>15 x3</p>  <p style="text-align: center;">Roof Rail</p>	<p>16 x2</p>  <p style="text-align: center;">Top Guard</p>
<p>17 x1</p>  <p style="text-align: center;">Book Shelf</p>	<p>18 x1</p>  <p style="text-align: center;">Bottom Shelf Big</p>
<p>19 x2</p>  <p style="text-align: center;">Bottom Shelf Guard</p>	<p>20 x1</p>  <p style="text-align: center;">(Left) Side Shelf</p>
<p>21 x1</p>  <p style="text-align: center;">(Right) Side Shelf</p>	<p>22 x2</p>  <p style="text-align: center;">Front Drawer</p>
<p>23 x2</p>  <p style="text-align: center;">Back Drawers</p>	<p>24 x2</p>  <p style="text-align: center;">Panel Frames Headboard - Footboard</p>
<p>25 x2</p>  <p style="text-align: center;">Side Right Drawers</p>	<p>26 x4</p>  <p style="text-align: center;">Top Drawers</p>
<p>27 x1</p>  <p style="text-align: center;">Frames Headboard</p>	<p>28 x3</p>  <p style="text-align: center;">Slats</p>

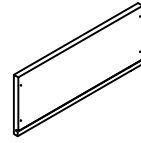
Part List (WF308873)

②9 x1



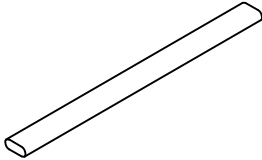
Back (Shelf) Guard

③0 x2



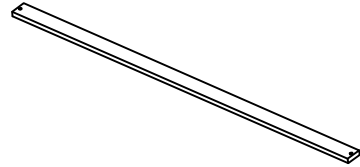
Side Left Drawers

③1 x4



Support Drawers

③2 x7



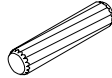
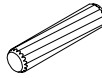
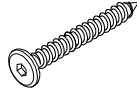


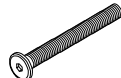
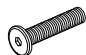
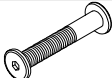


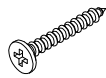

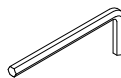



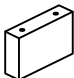

Slats

③3 x3



Support Legs


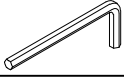
Hardware List (WF308873)

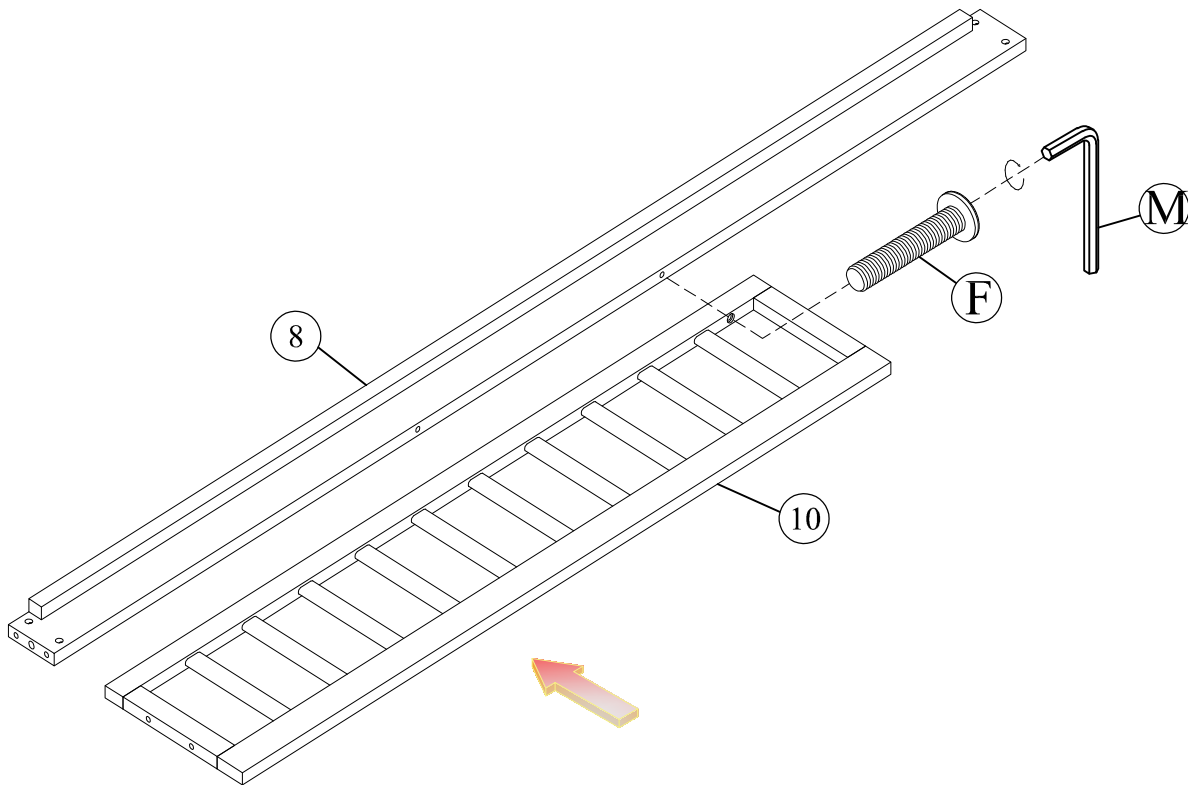
No.	OUTLOOK	DESC	QTY
(A)		Dowel Ø10*40mm	20
(B)		Dowel Ø8*30mm	04
(C)		Screws Ø6.5*50mm	12
(D)		Screws Ø6.5*80mm	10
(E)		Bolts 1/4"*70mm	16
(F)		Bolts 1/4"*50mm	03
(G)		Bolts 1/4"*35mm	09
(H)		Bolts 1/4"*20mm	04
(I)		Cross dowel 1/4"*13mm	16
(J)		Screws #7*12mm	40
(K)		Flat head screw #8*35mm	38
(L)		Round head screw #8*25mm	20
(M)		Allen key 60*22*4mm	01
(N)		Wheels	08
(O)		Connecting Bolt	08
(P)		Connector Housing	08
(Q)		Stop Wood	03
(U)		Base L	04

ASSEMBLY TOOLS REQUIRED (NOT INCLUDED)

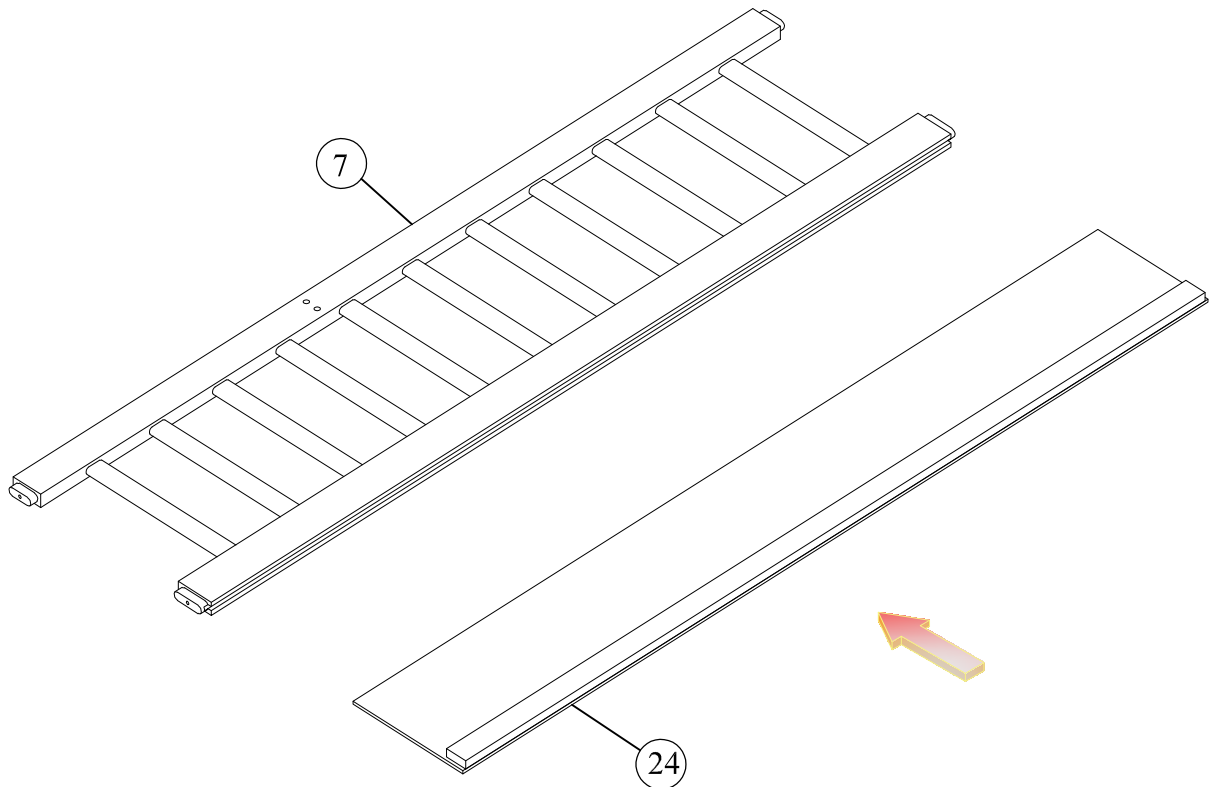


STEP 1:

(F)		01
(M)		01

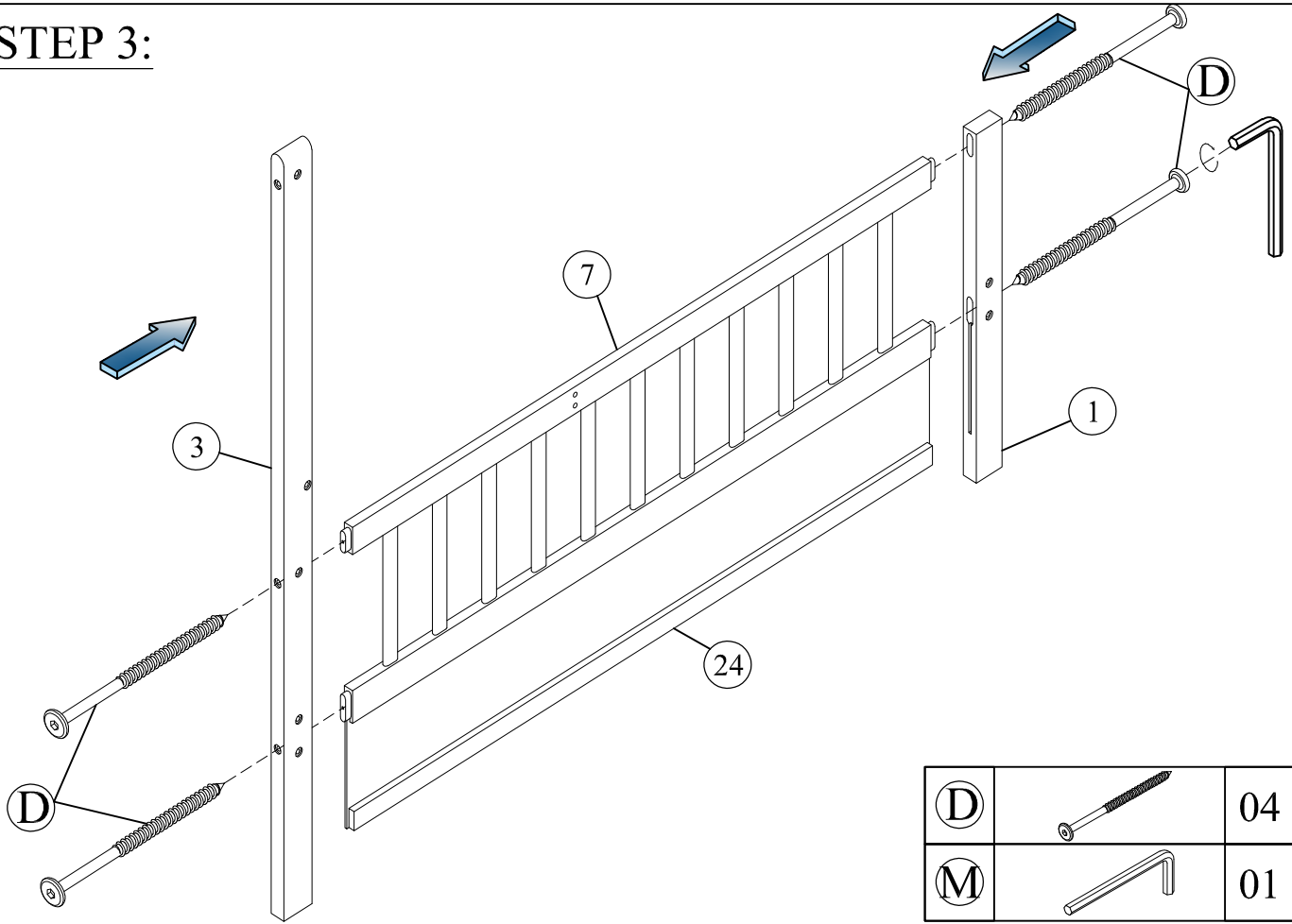


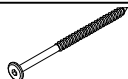
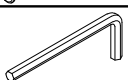
STEP 2:



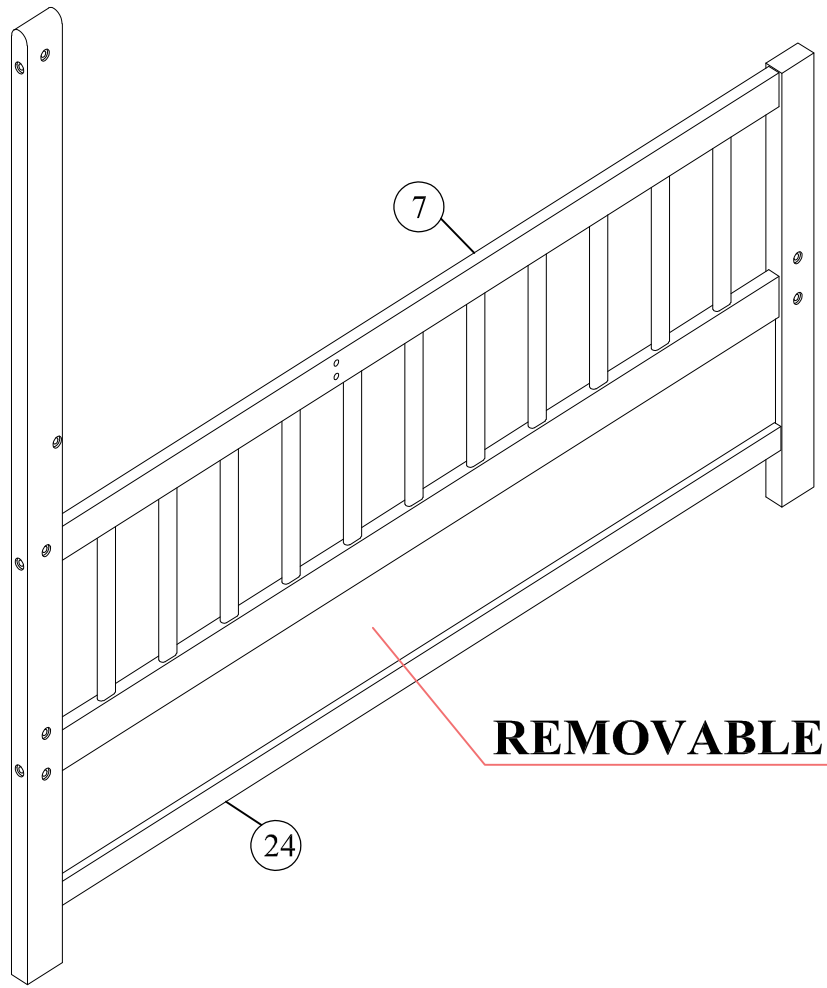
X2

STEP 3:

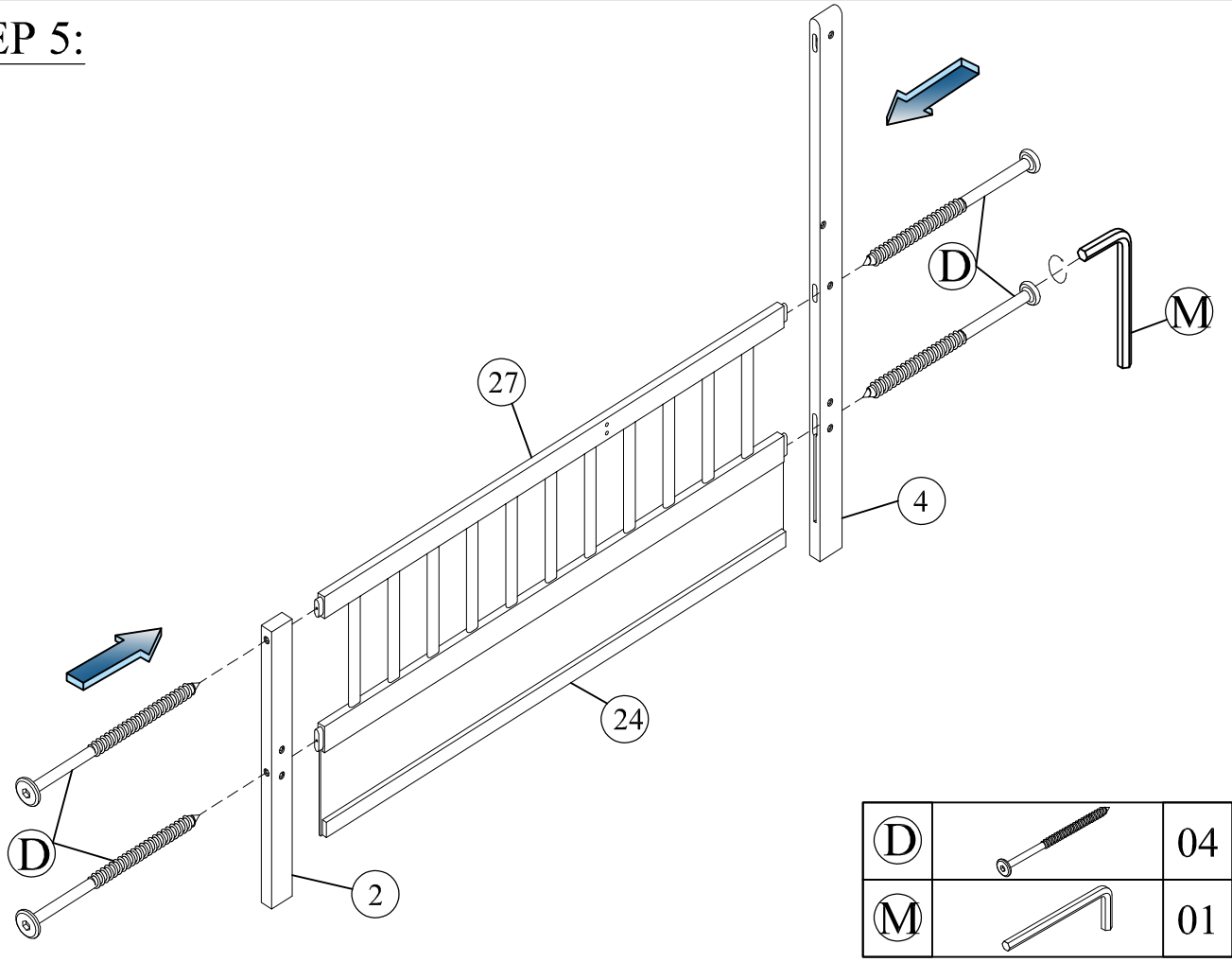


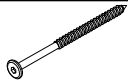
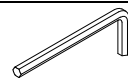
(D)		04
(M)		01

STEP 4:

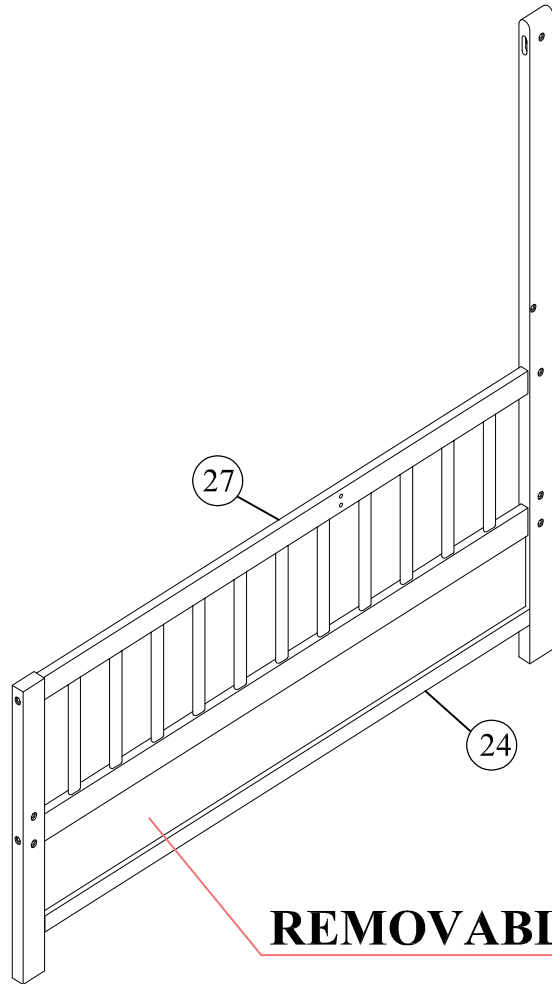


STEP 5:

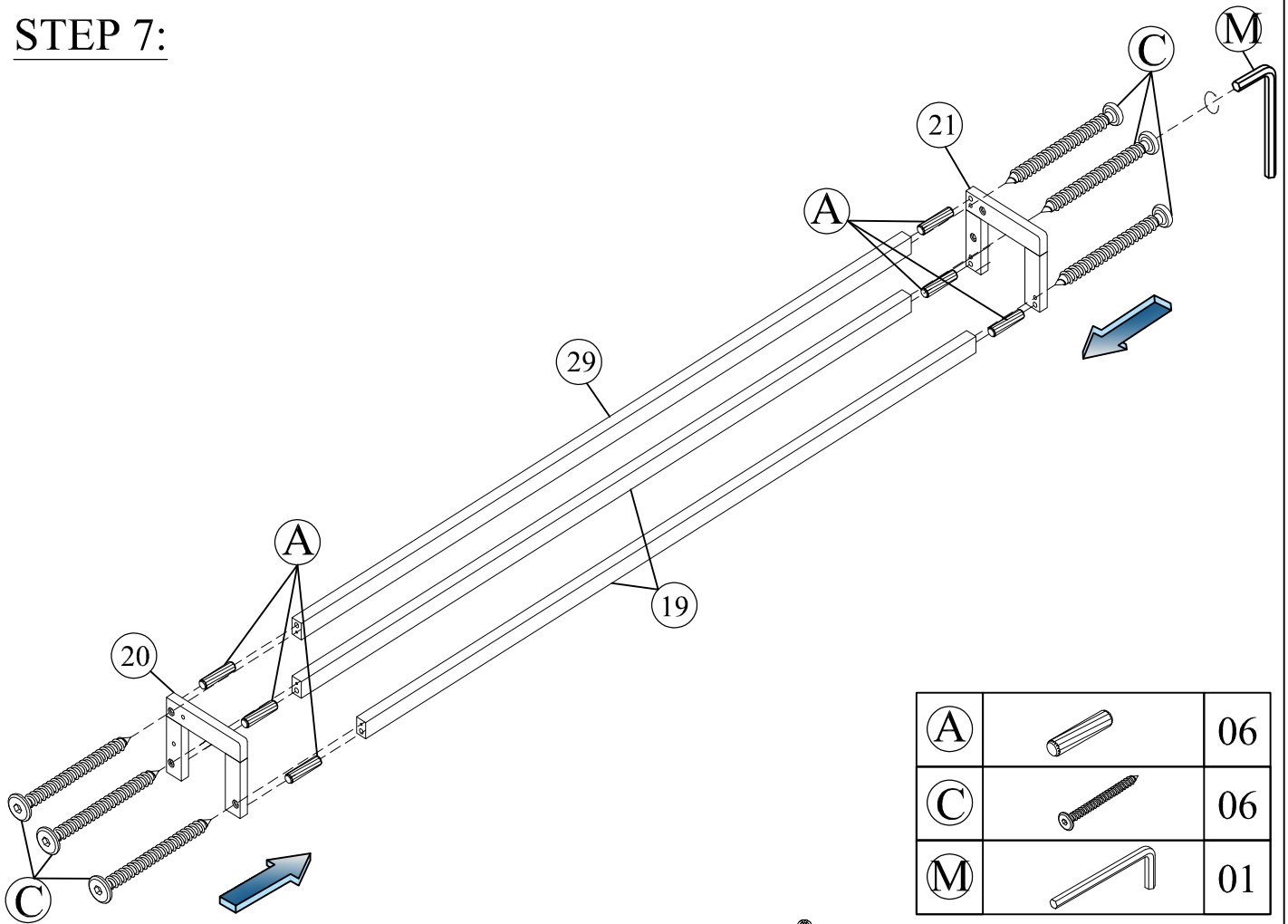


(D)		04
(M)		01

STEP 6:

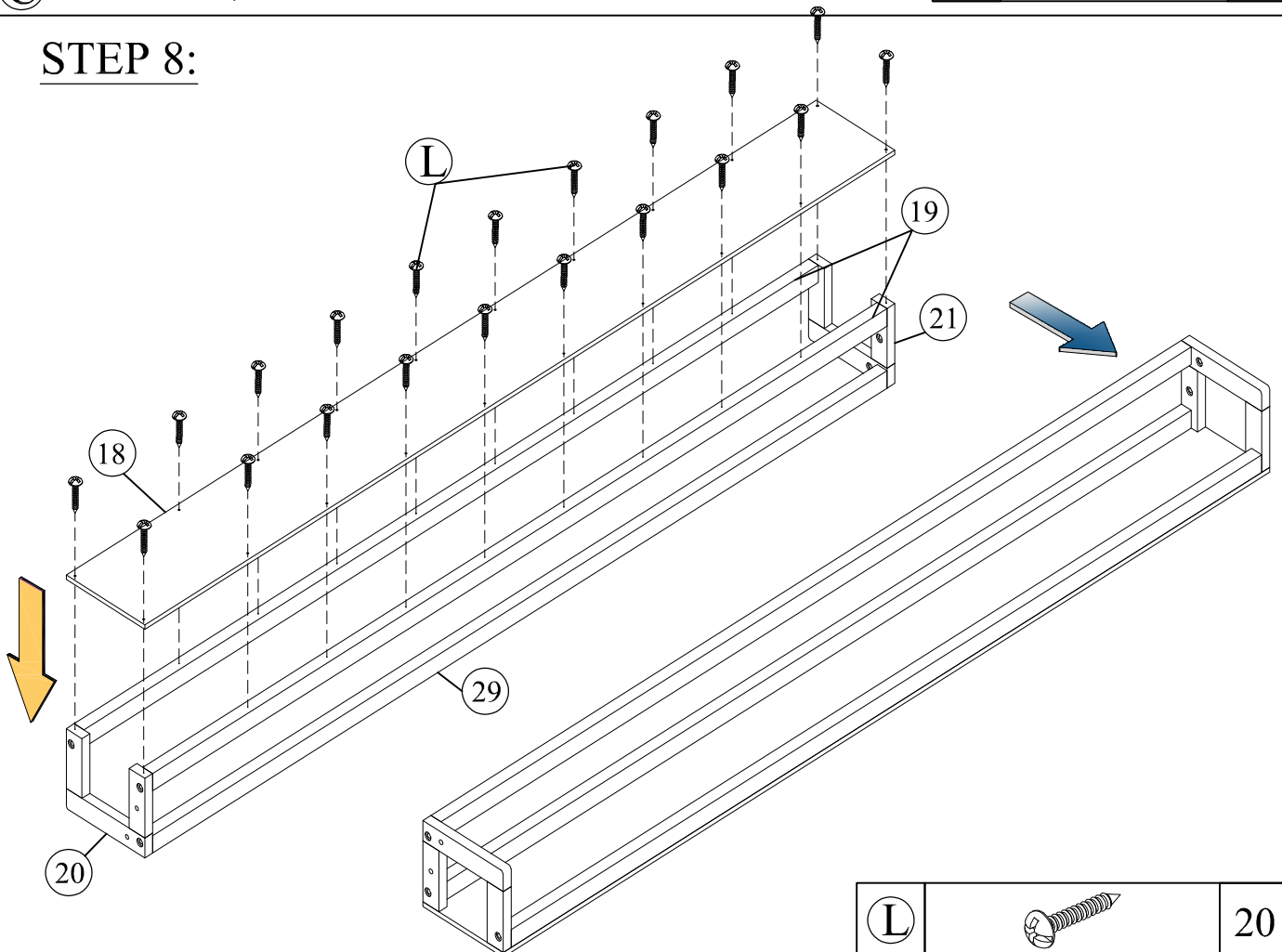


STEP 7:



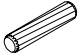

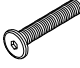


(A)		06
(C)		06
(M)		01

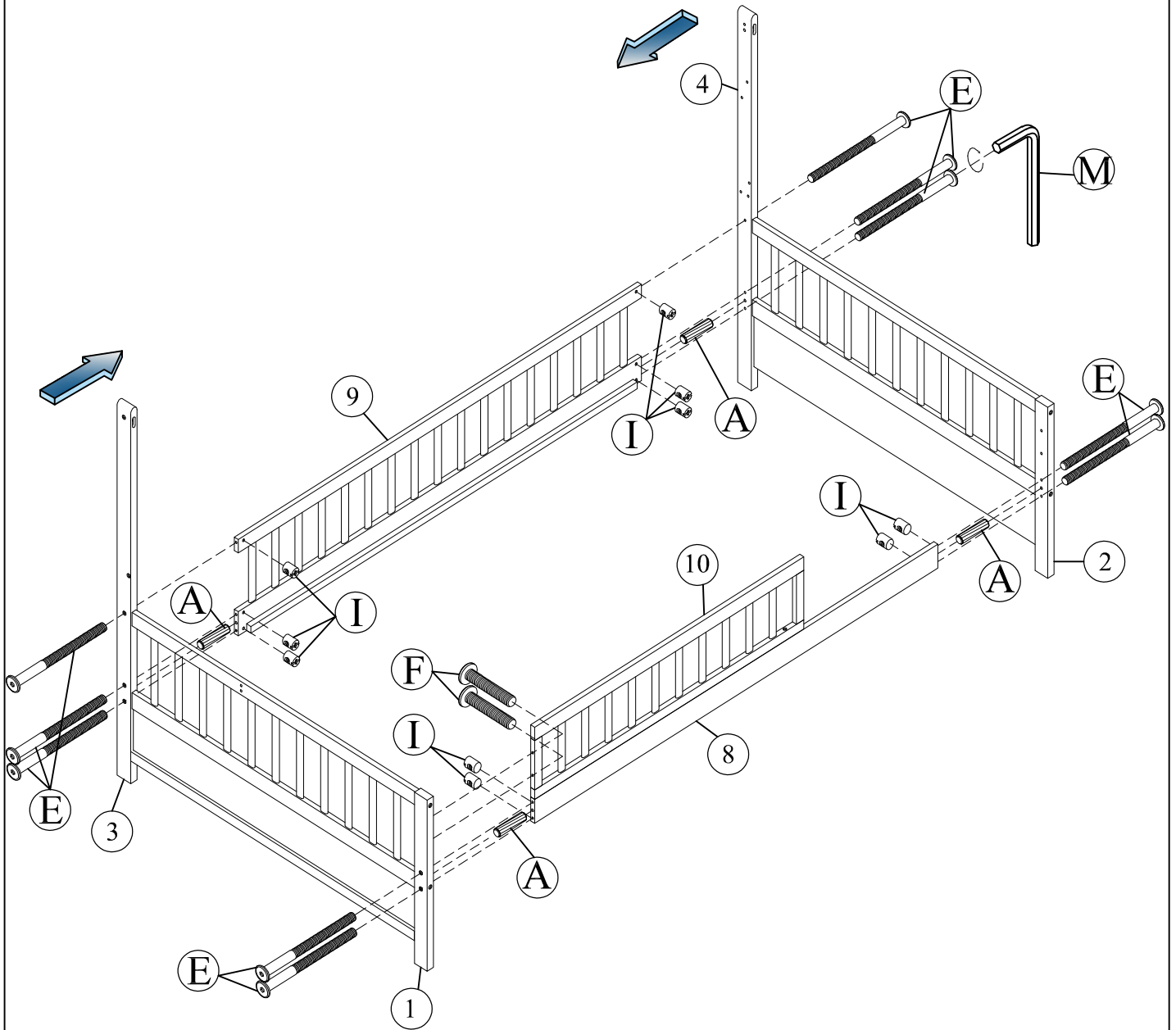
STEP 8:



(L)		20
-----	--	----

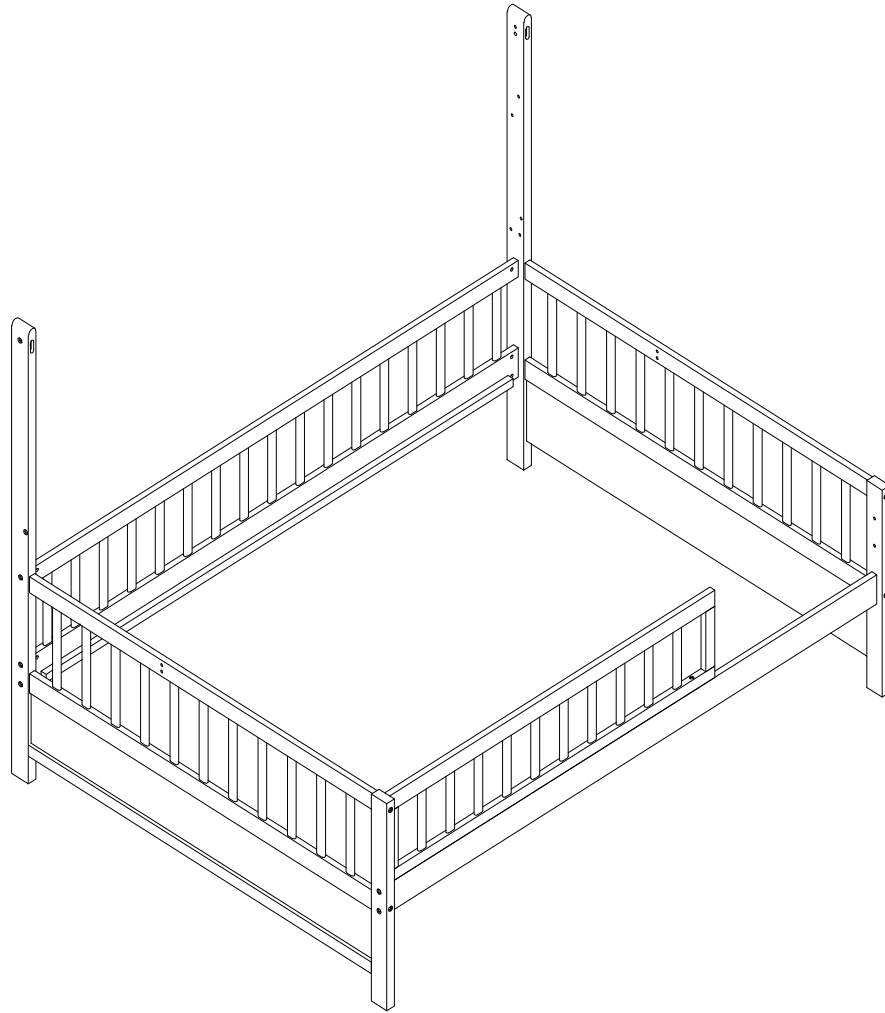
STEP 9:

(A)		04
(E)		10
(F)		02
(I)		10
(M)		01

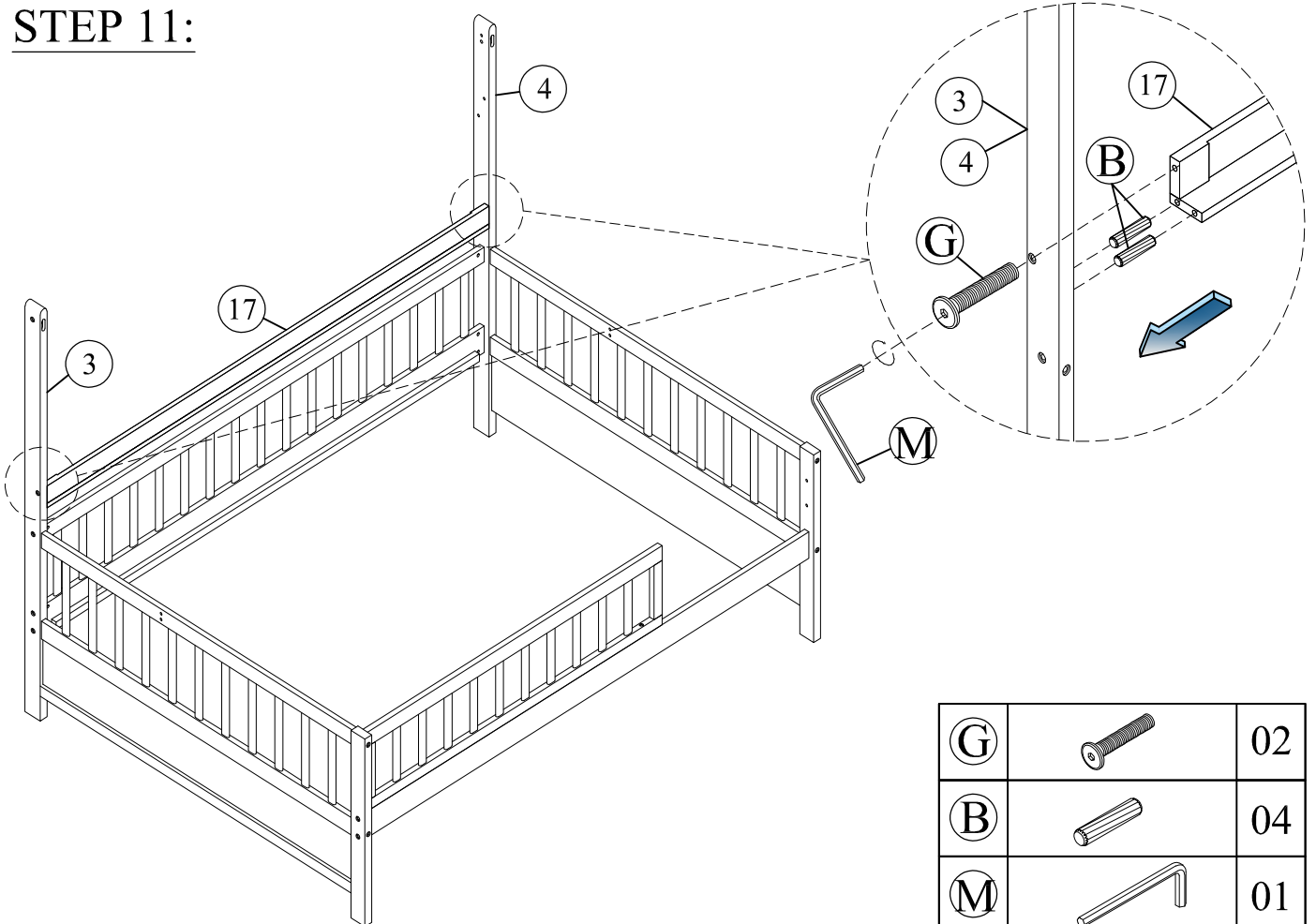



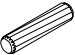
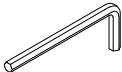
Note :
Do not lock the bolt.

STEP 10:

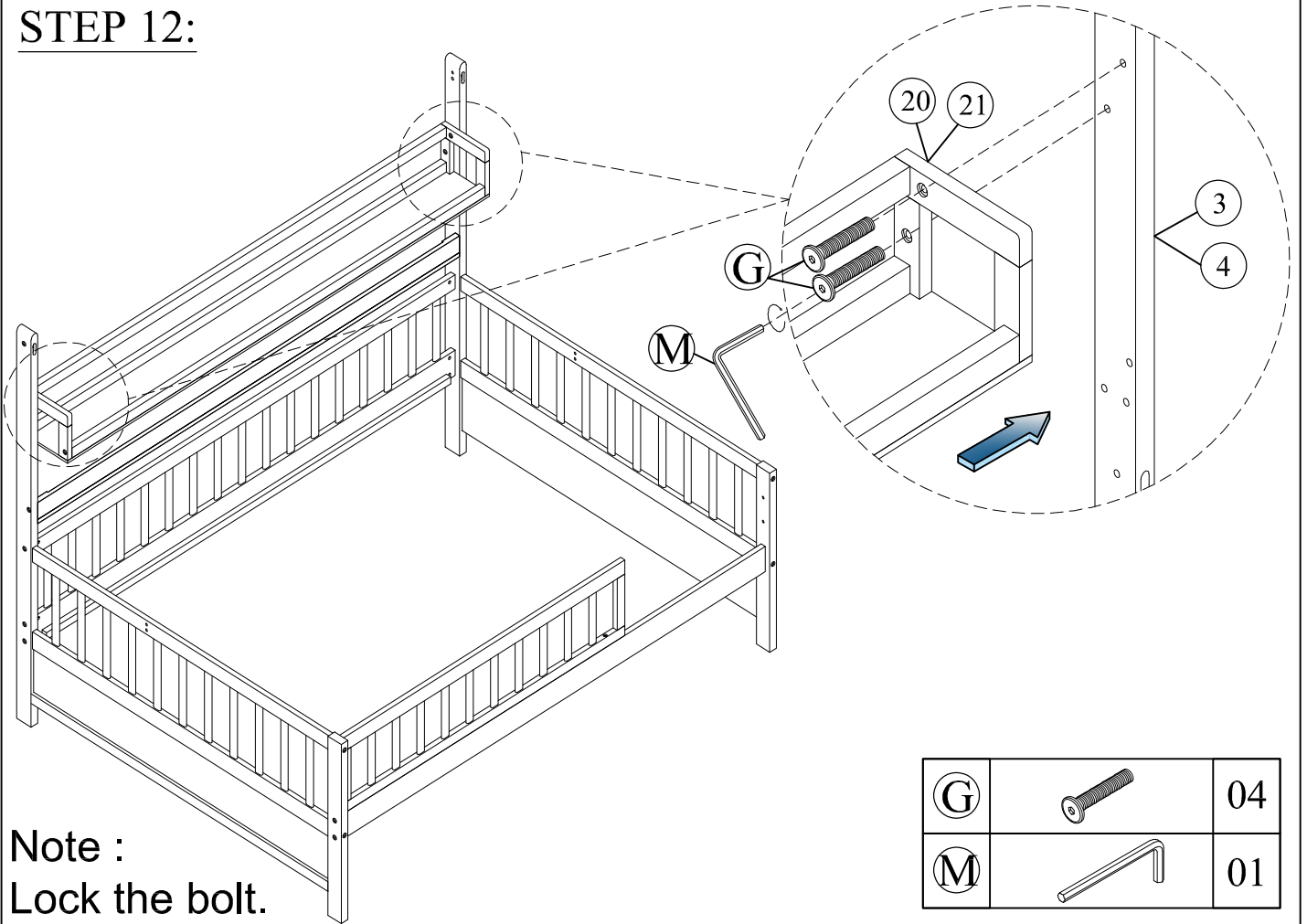


STEP 11:



G		02
B		04
M		01

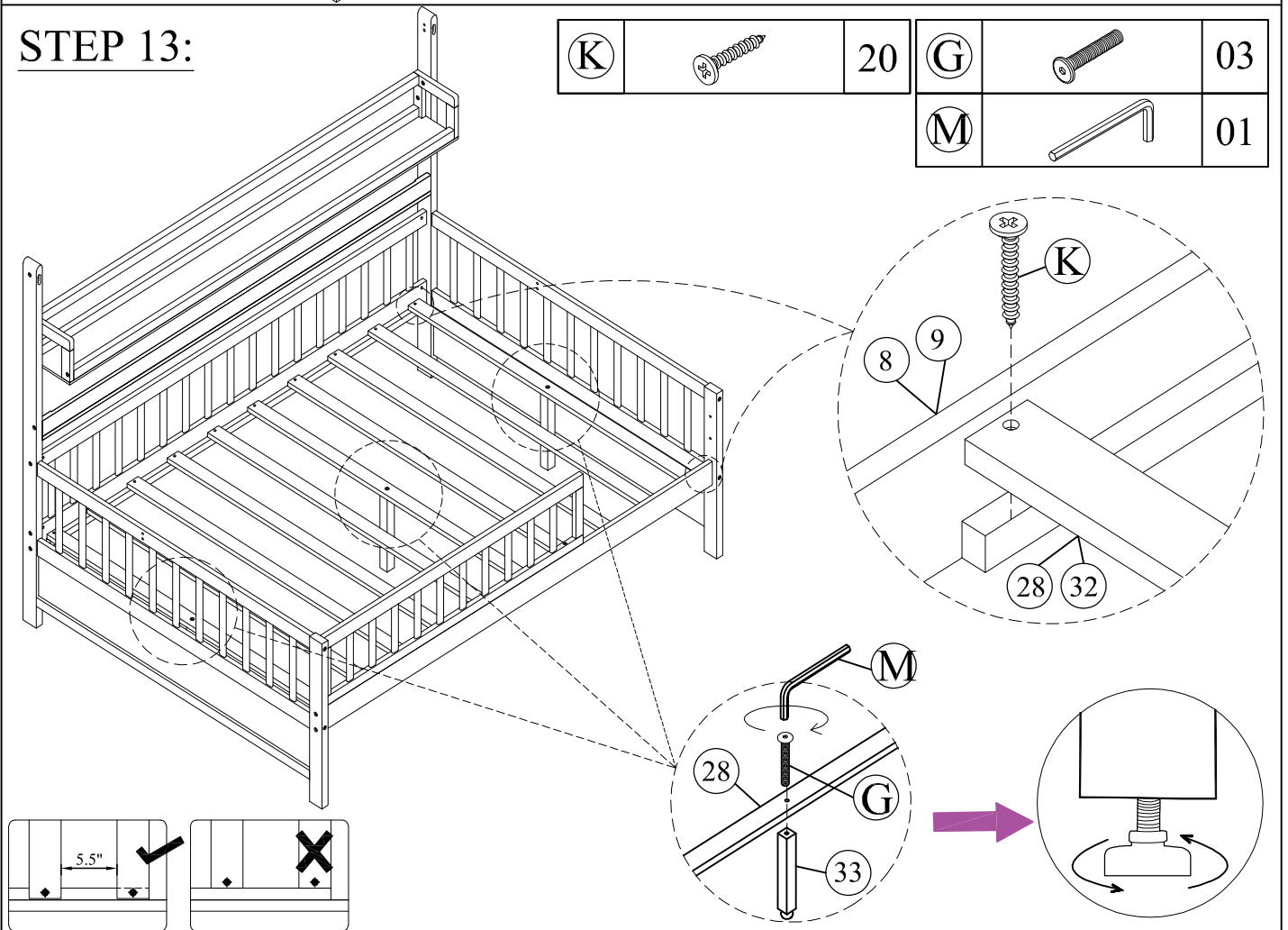
STEP 12:



Note :
Lock the bolt.

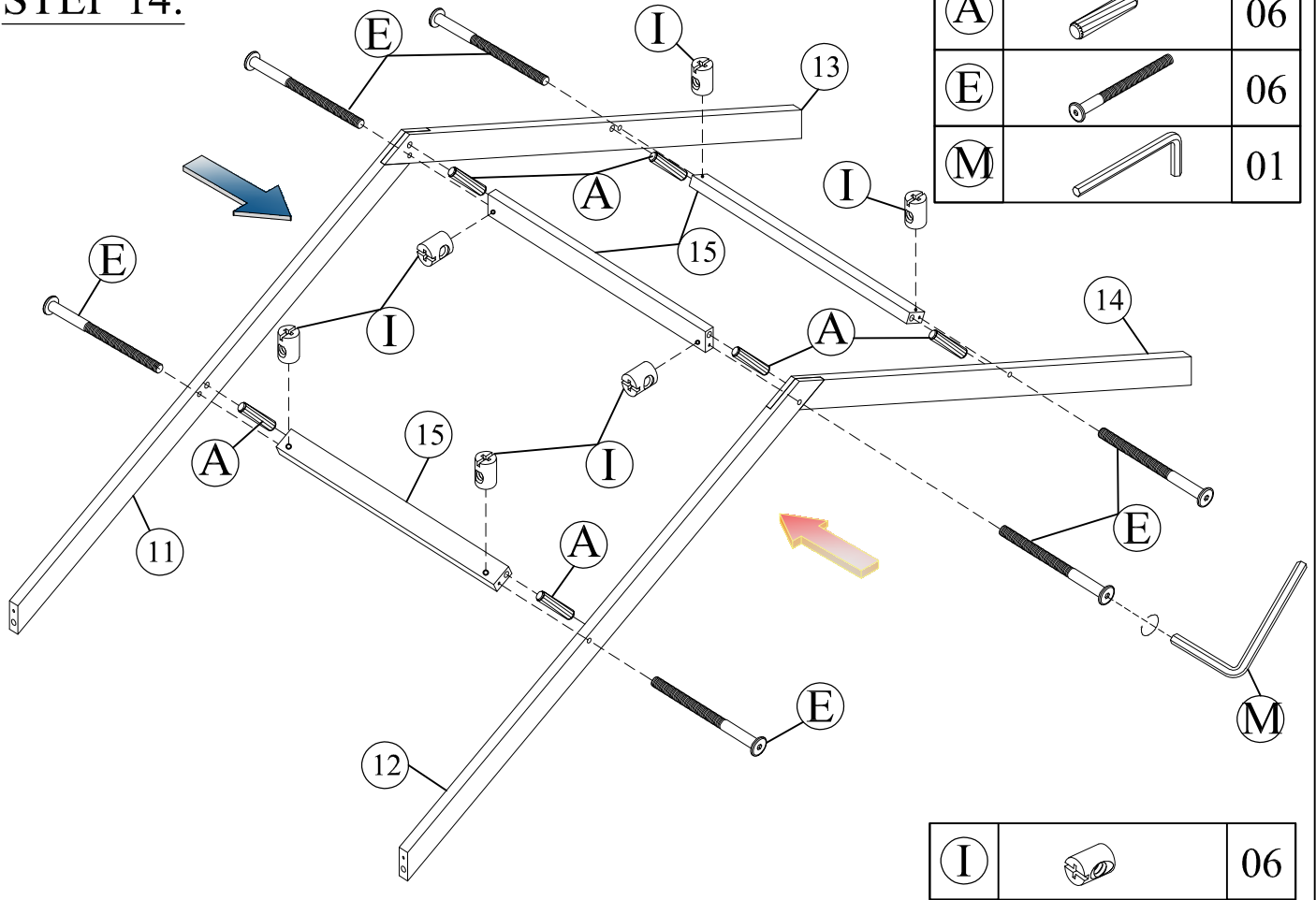
(G)		04
(M)		01

STEP 13:

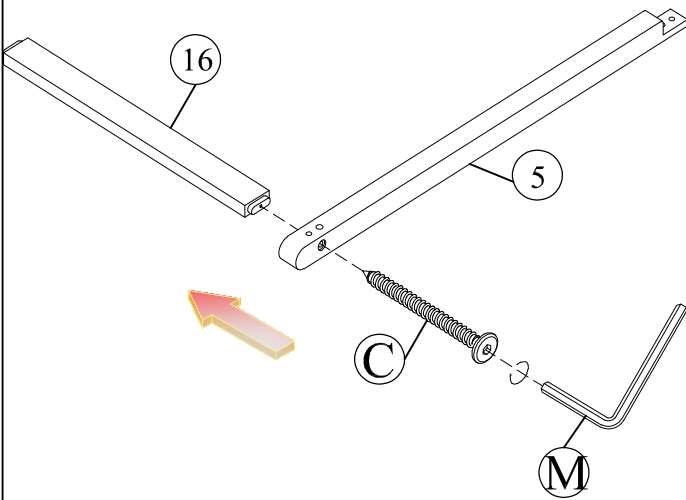


(K)		20	(G)		03
(M)			(M)		01

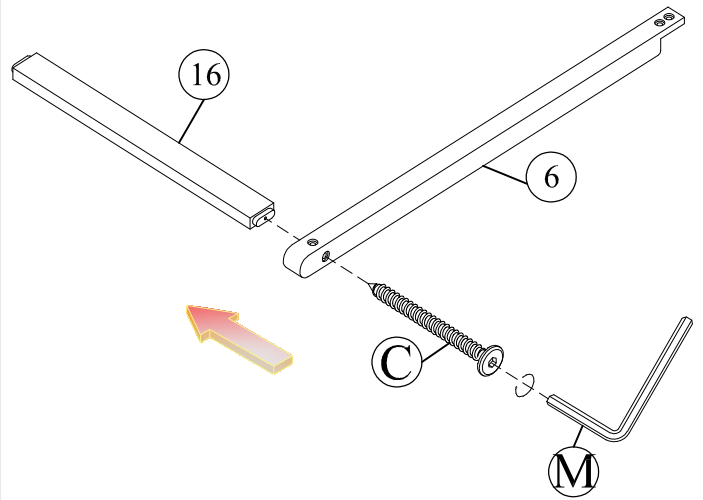
STEP 14:



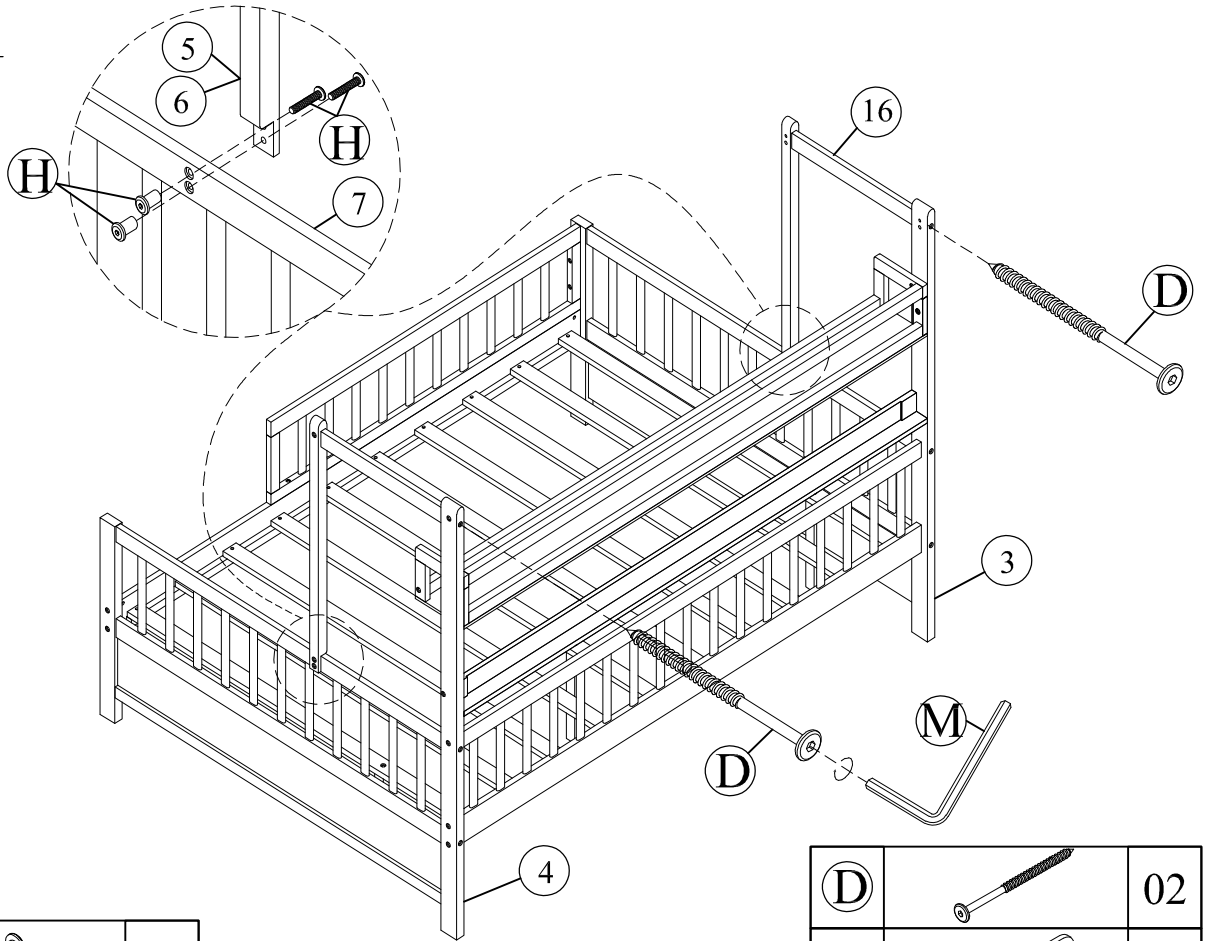
STEP 15:





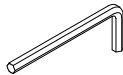
STEP 16:



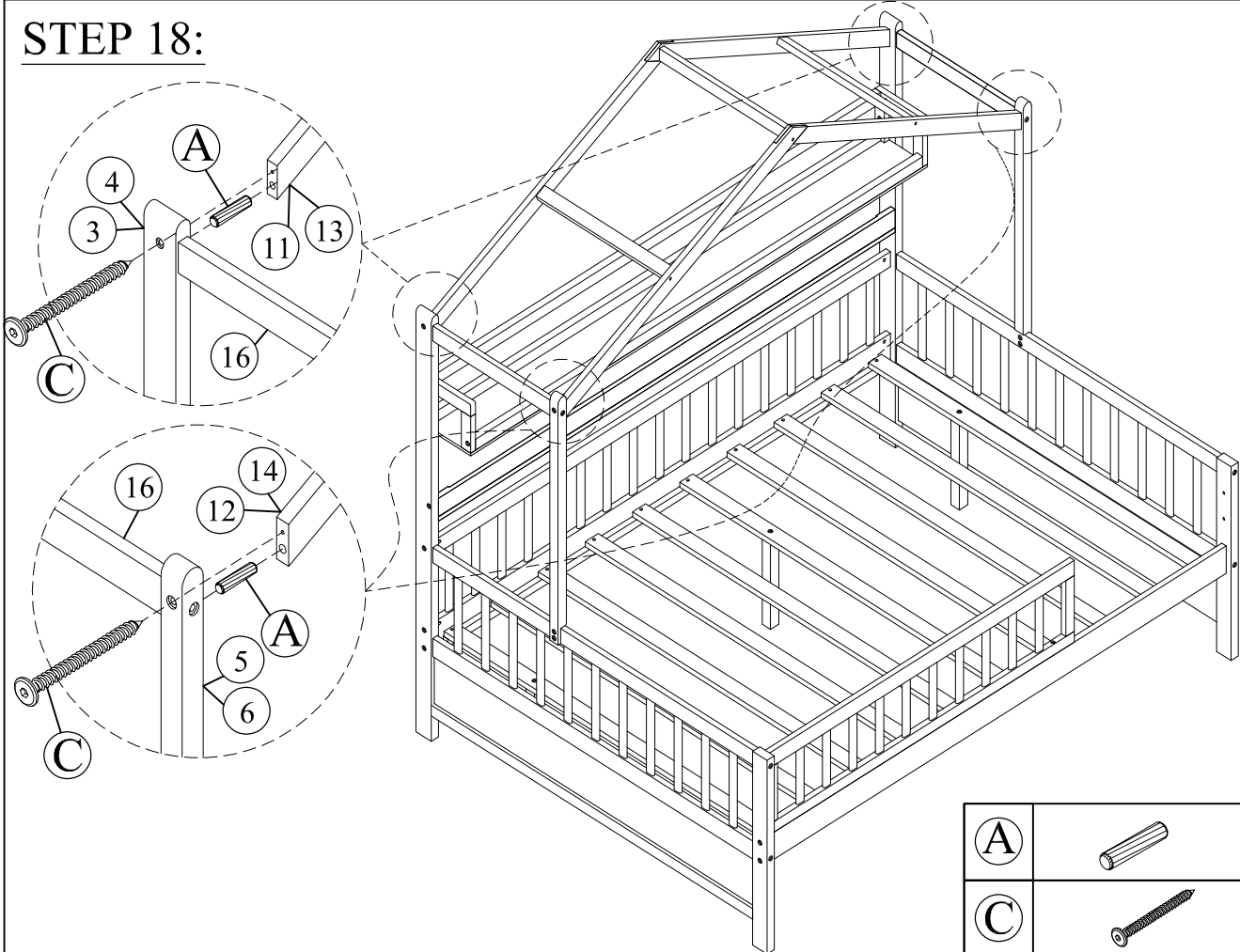
STEP 17:

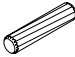



(H)		04
-----	---	----

(D)		02
(M)		01

STEP 18:



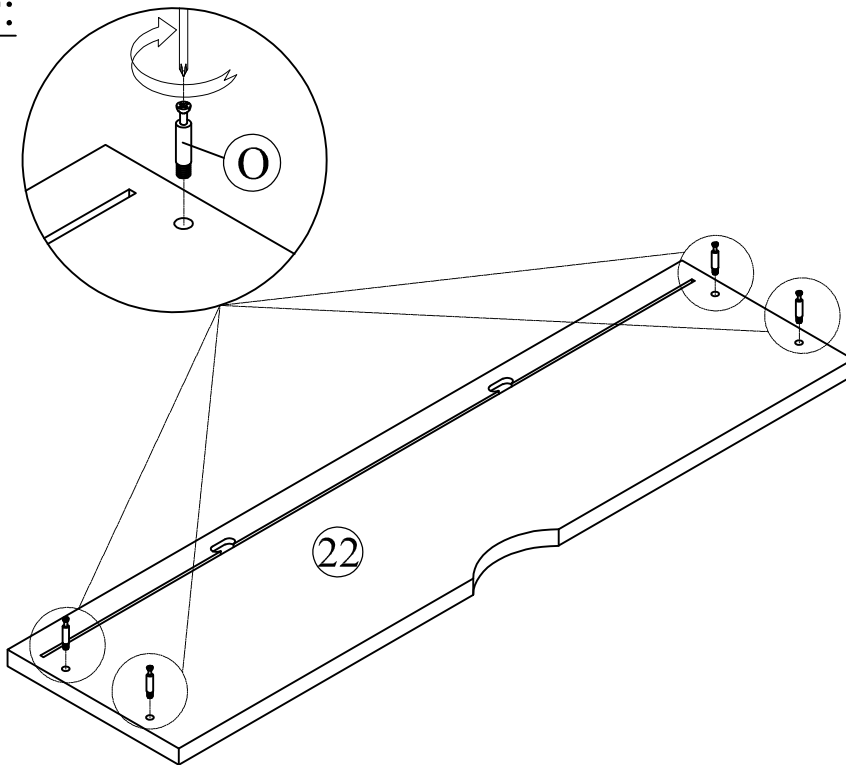
(A)		04
(C)		04

○



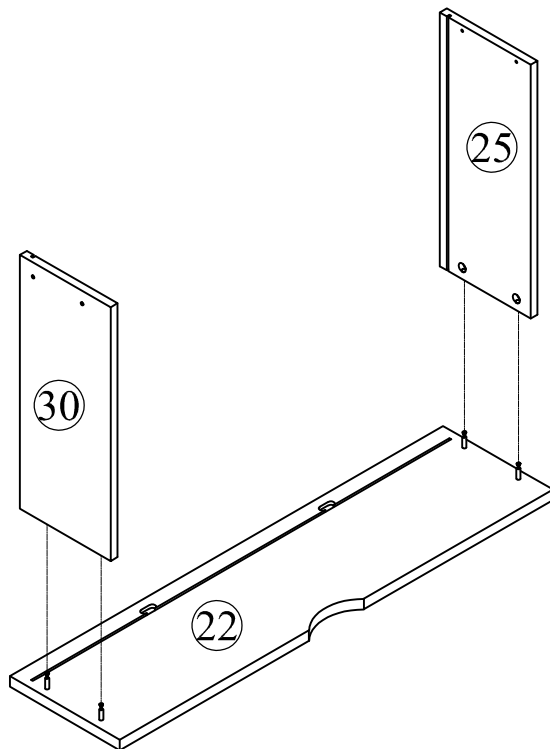
08

STEP 19:



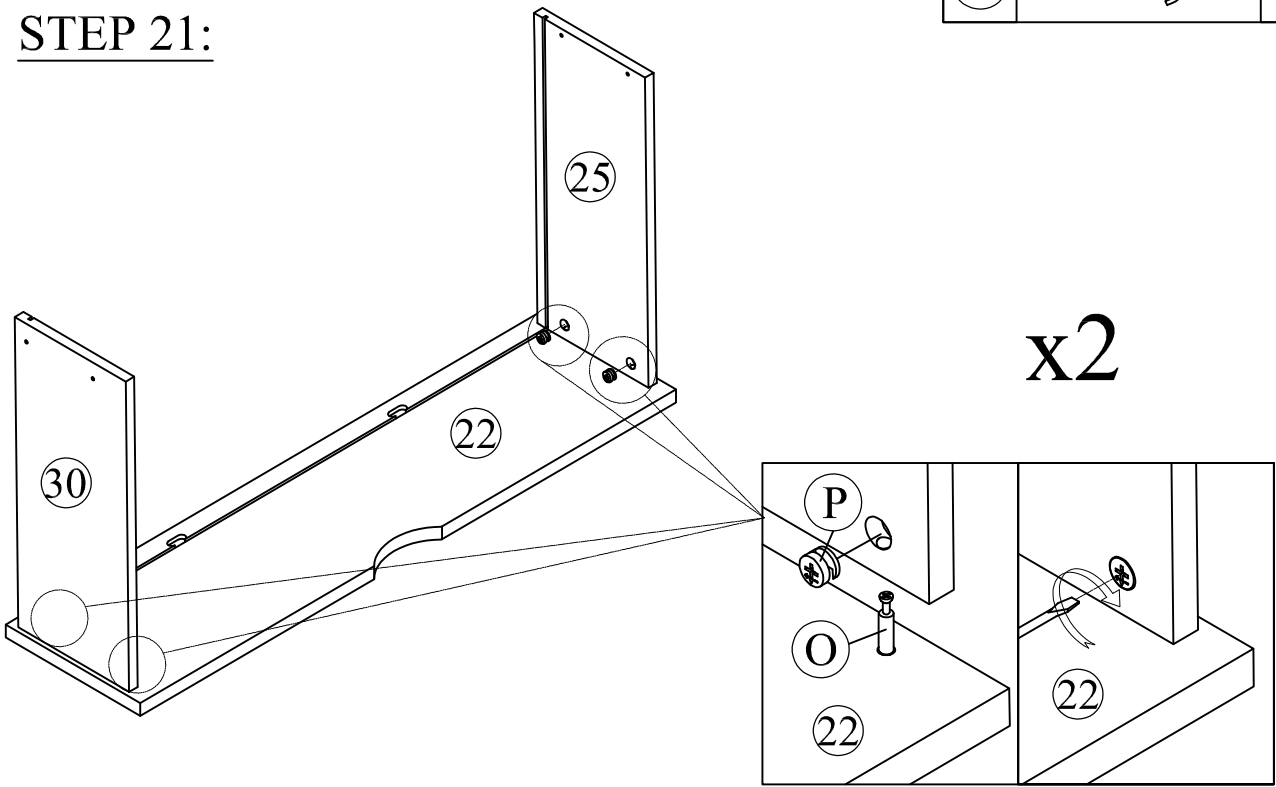
x2

STEP 20:

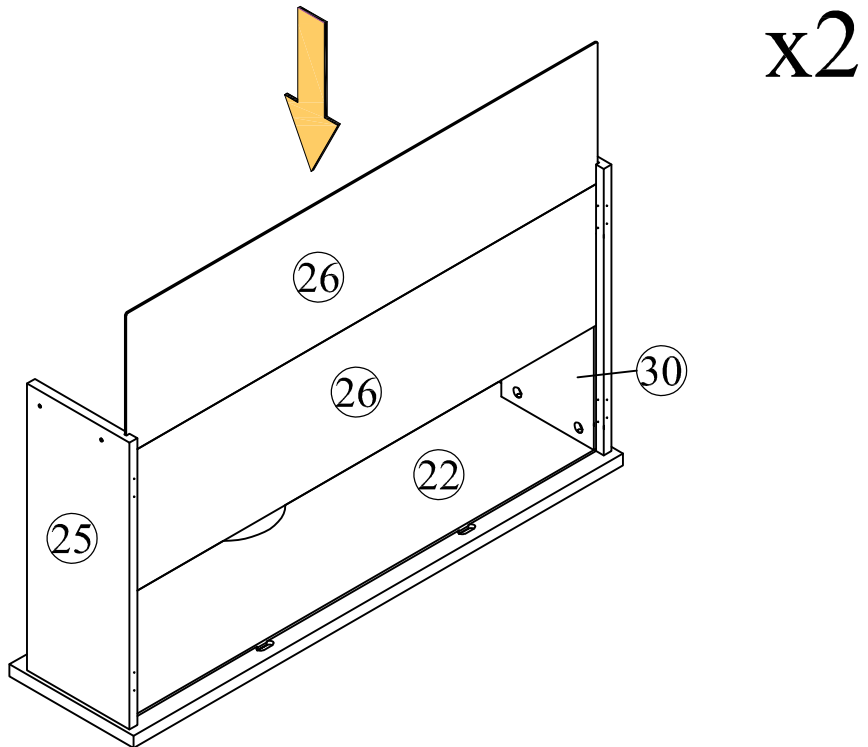


x2

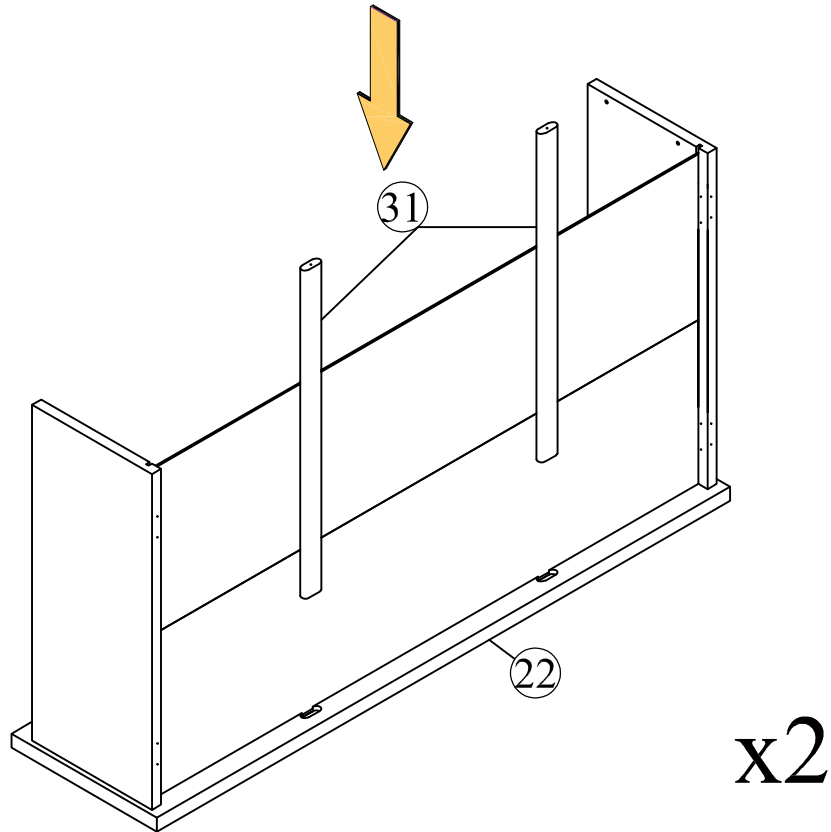
STEP 21:



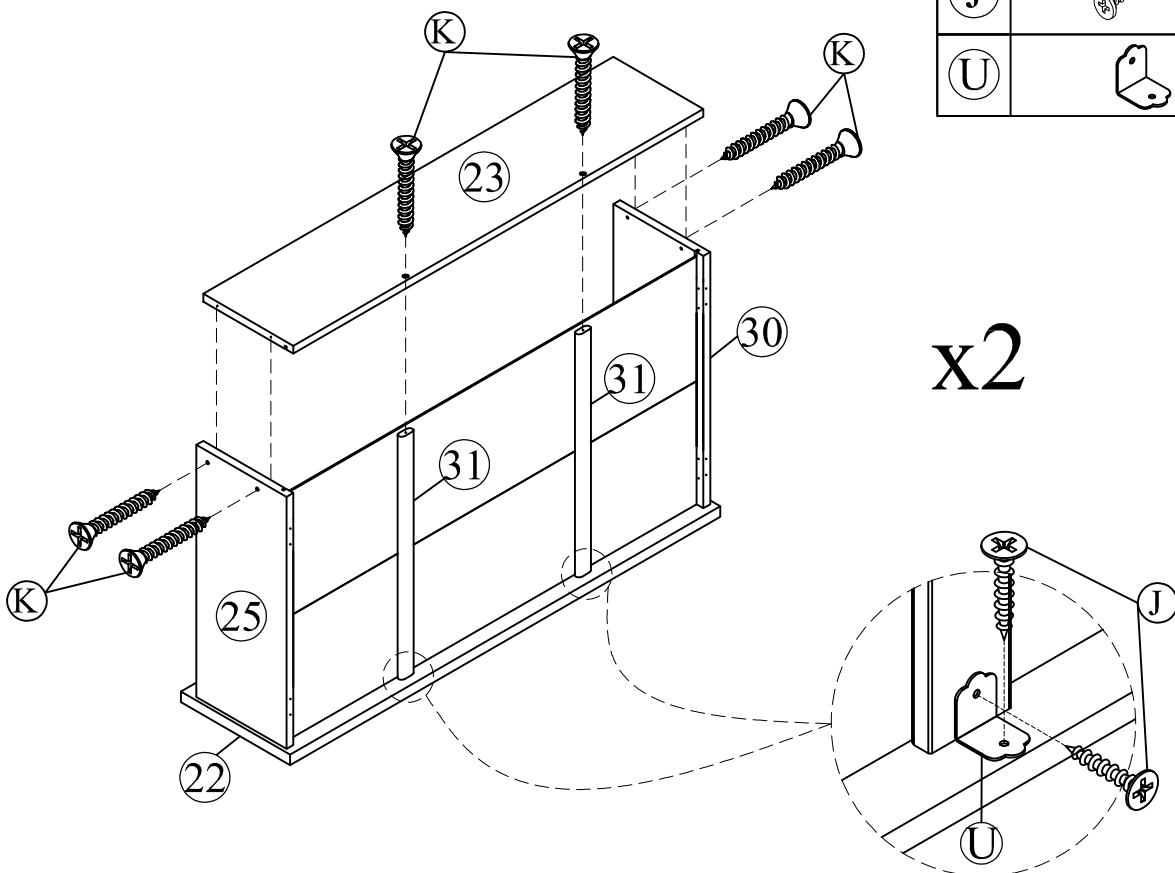
STEP 22:


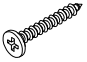



STEP 23:

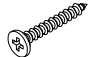



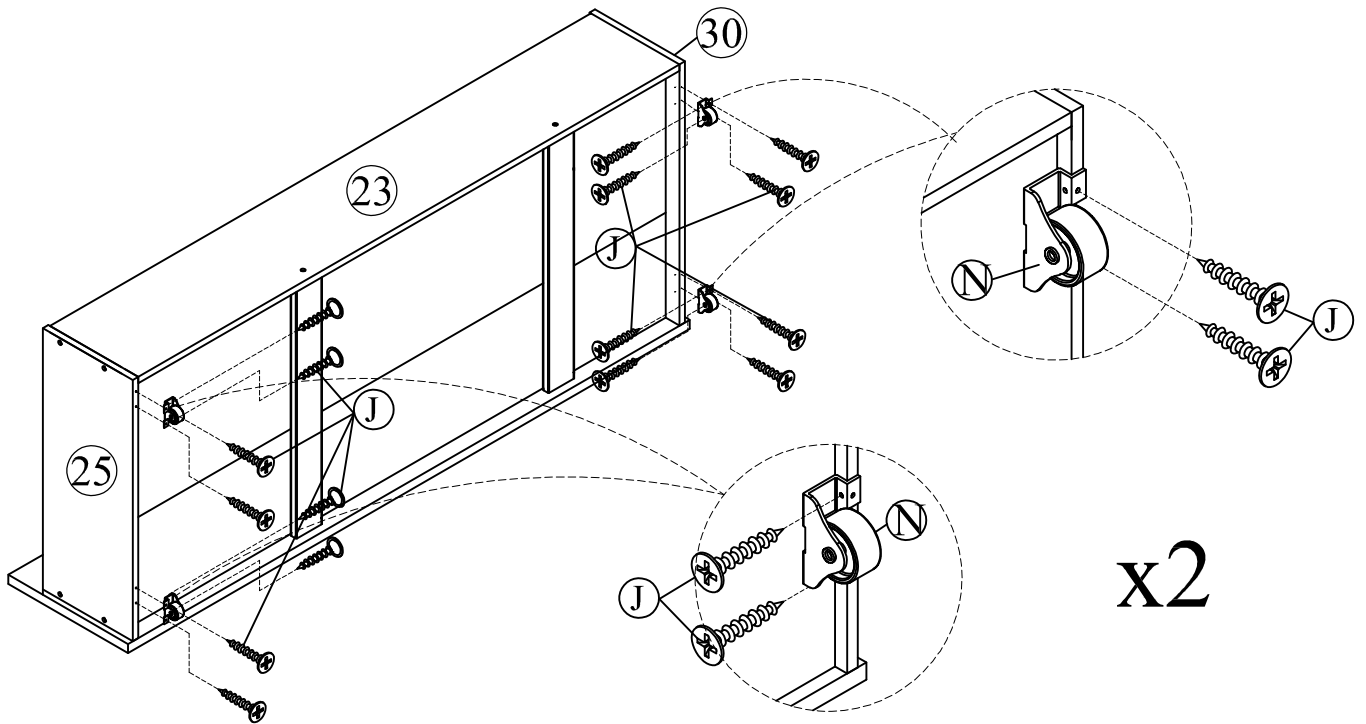
STEP 24:




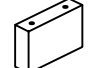
(K)		12
(J)		08
(U)		04

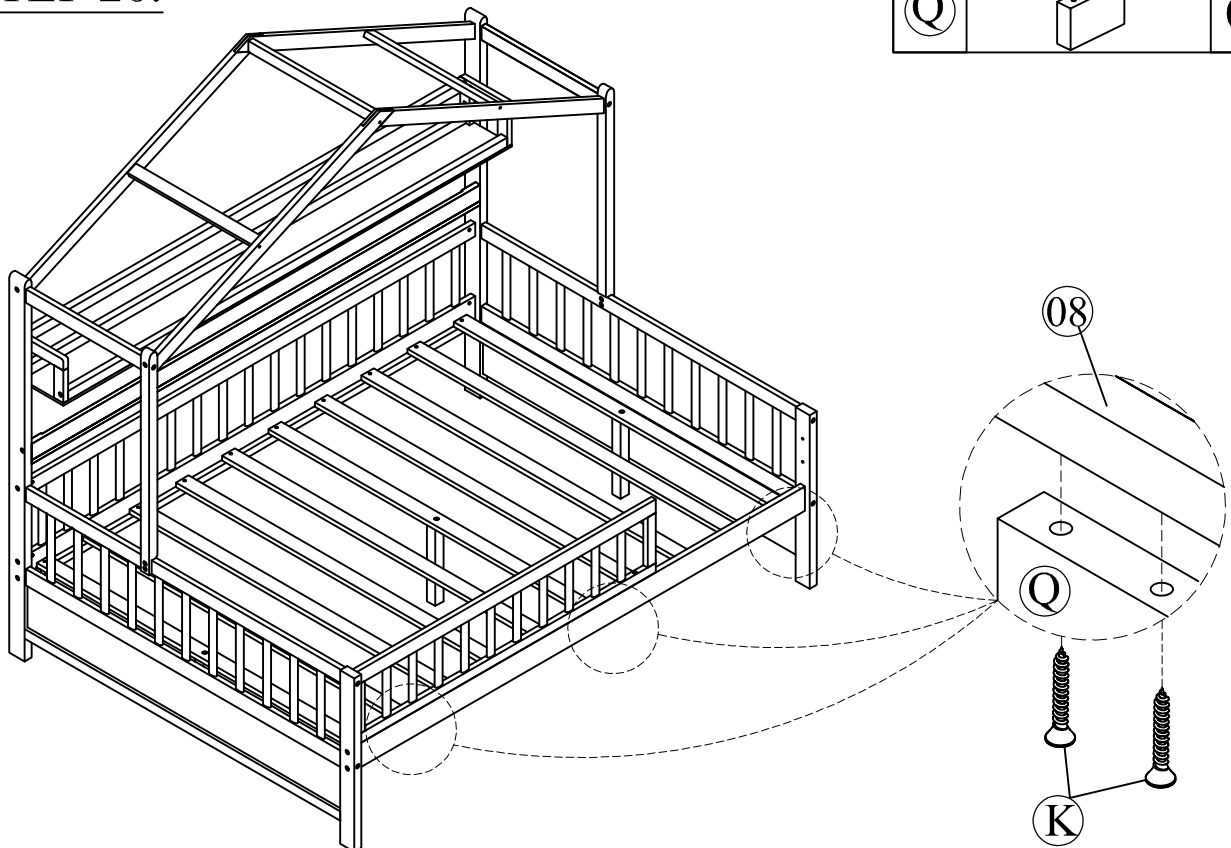
STEP 25:

(J)		32
(N)		08

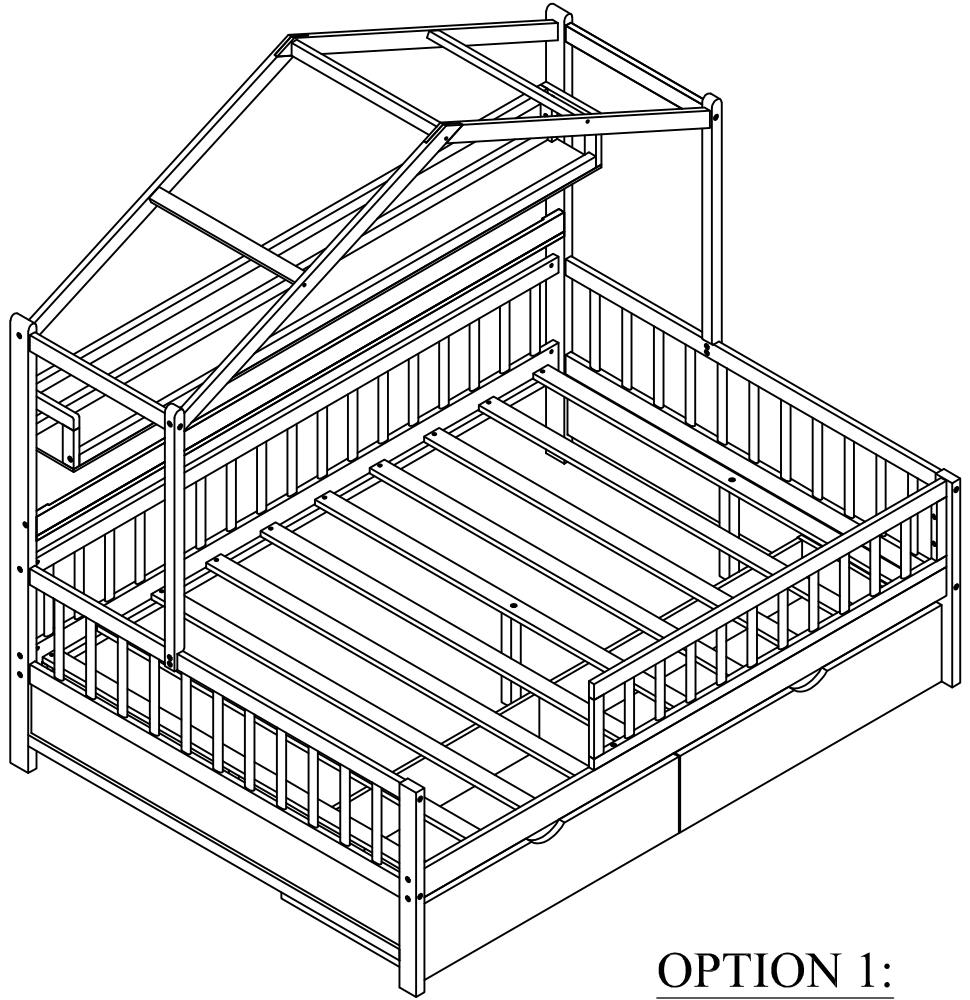


STEP 26:

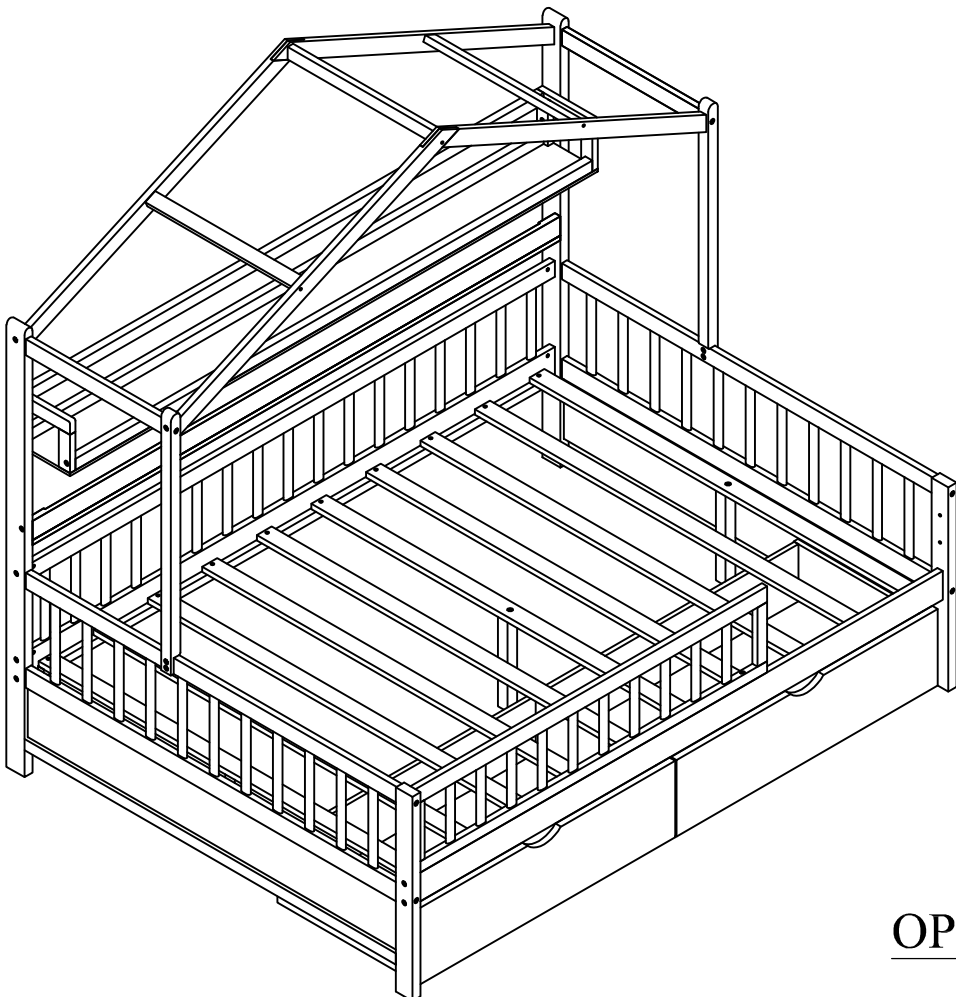
(K)		06
(Q)		03



FINAL:



OPTION 1:



OPTION 2: