

LEFTON

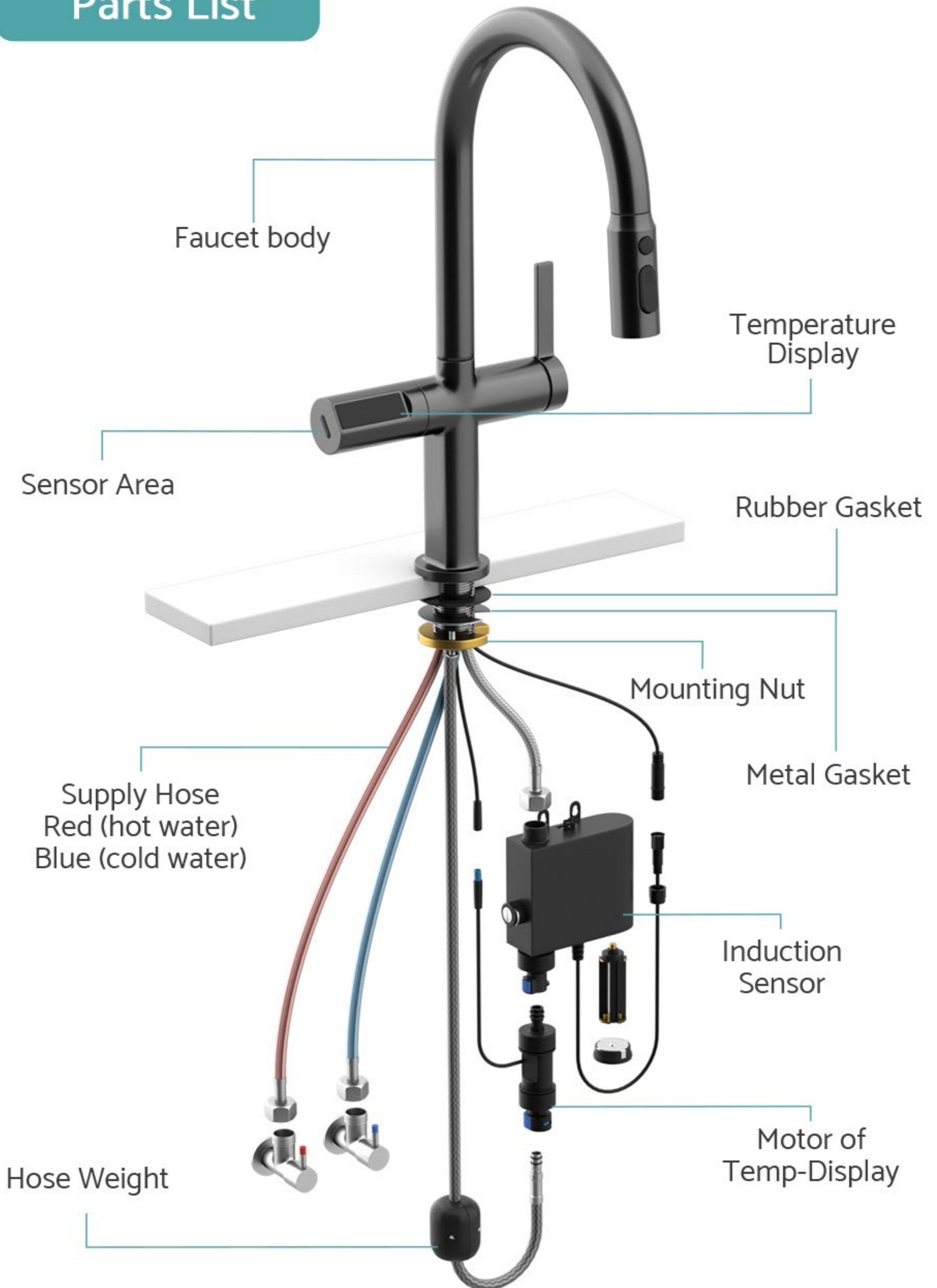
# INSTALLATION MANUAL



Automatic Sensor Kitchen  
Pull-Down Faucet

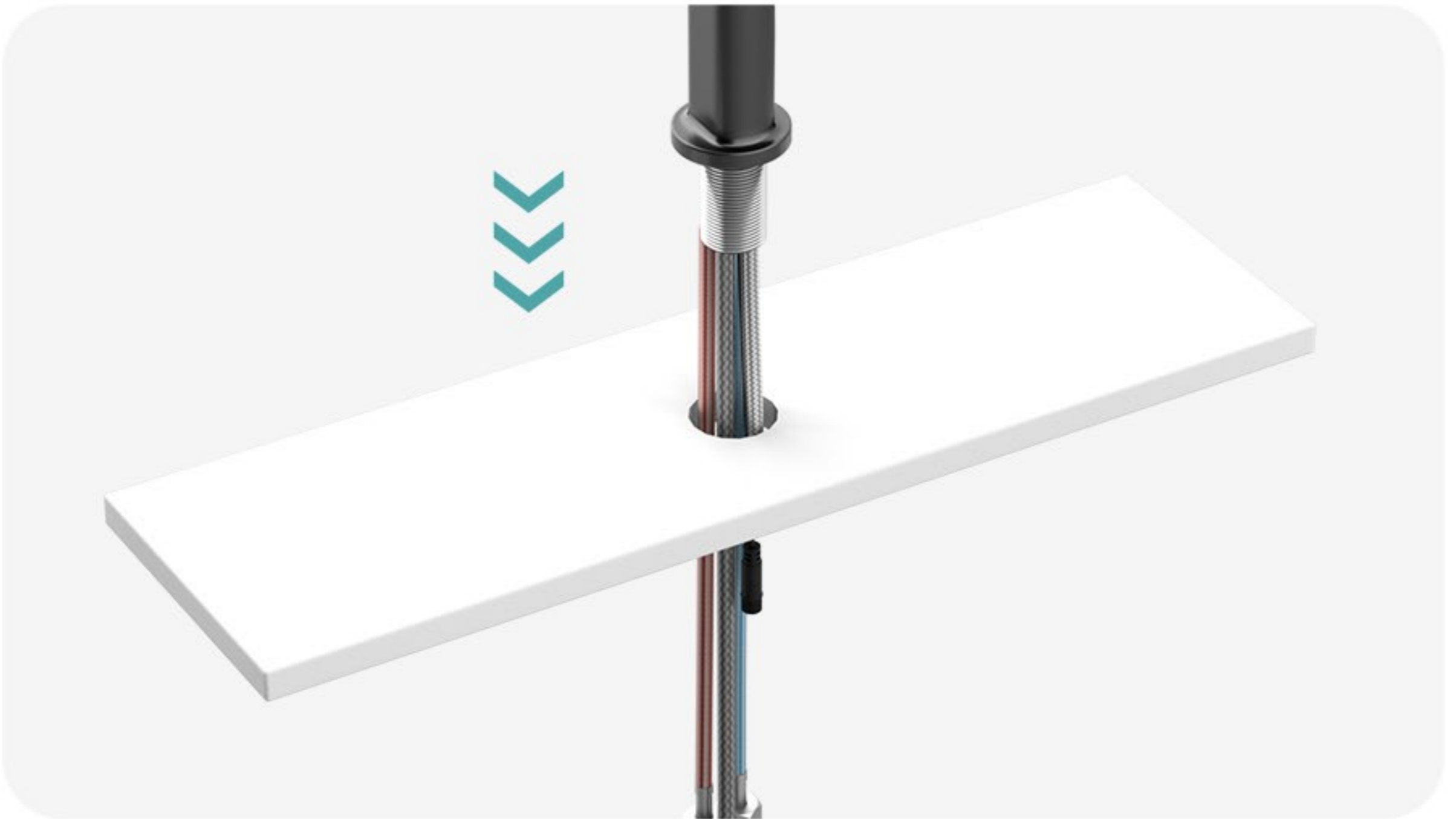
**KF2206**

# Diagram and Parts List



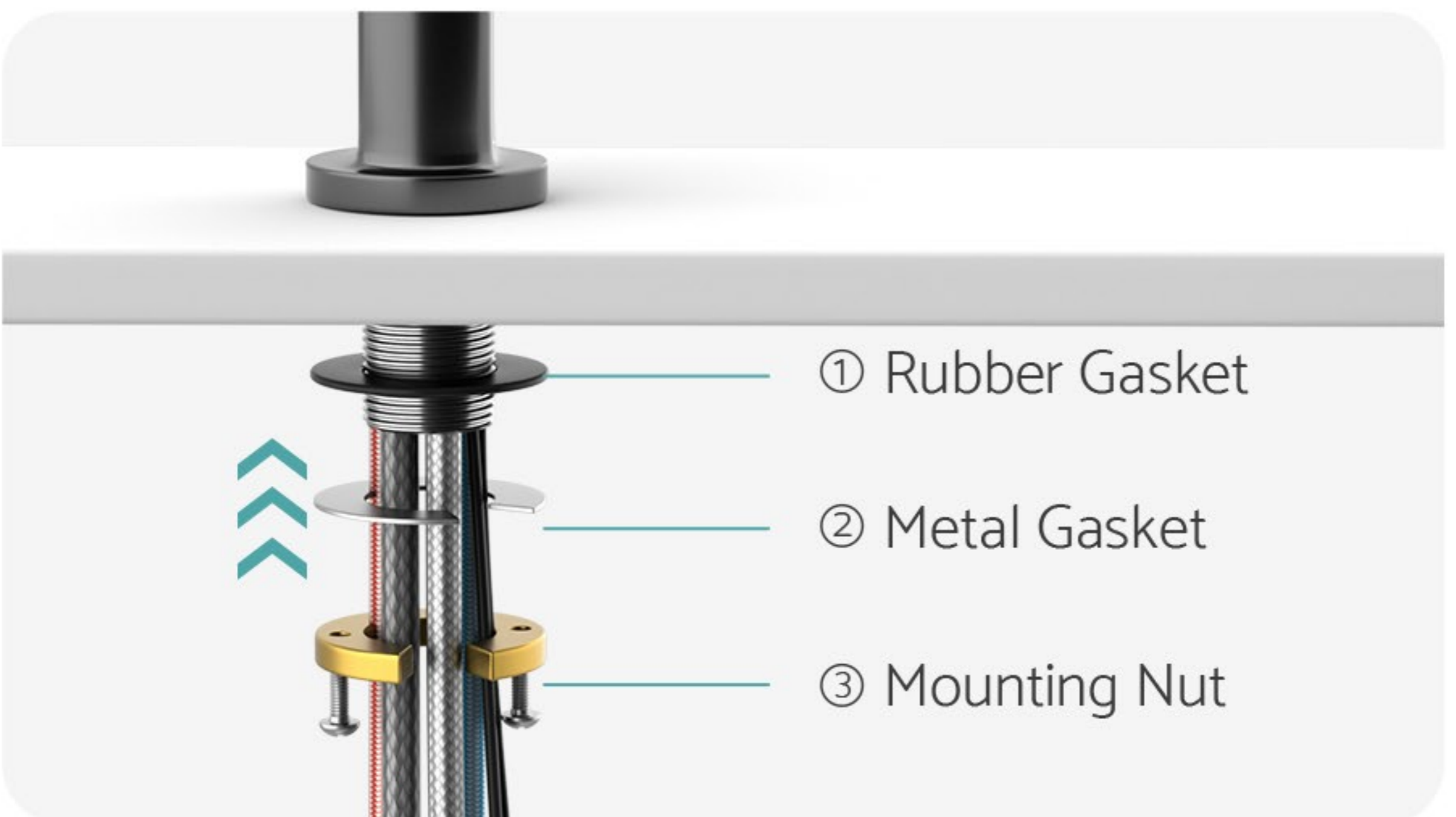
## STEP 1:

Install the faucet to the countertop.



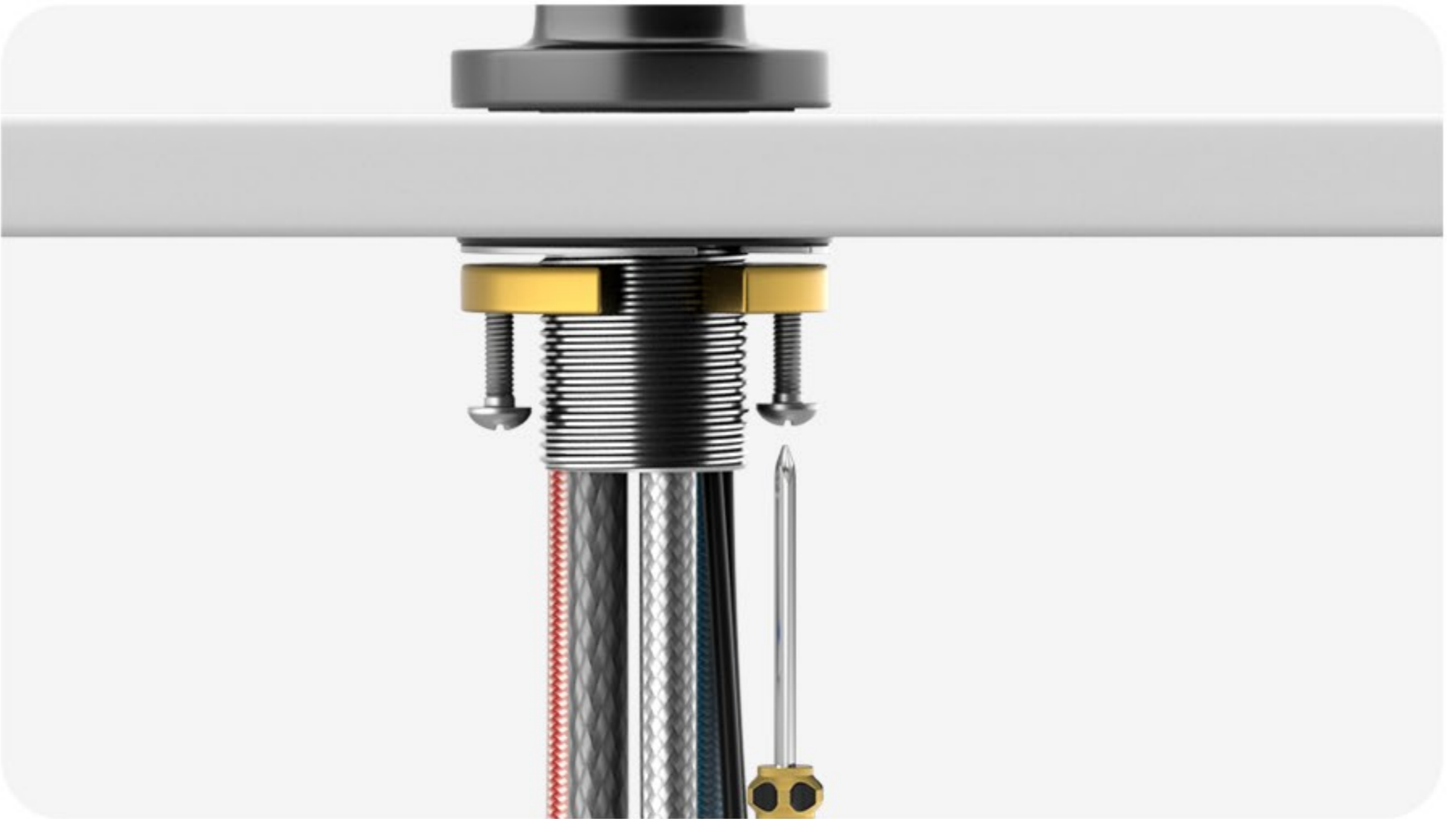
## STEP 2:

Install gaskets, nut and fasten the screws.



## STEP 3:

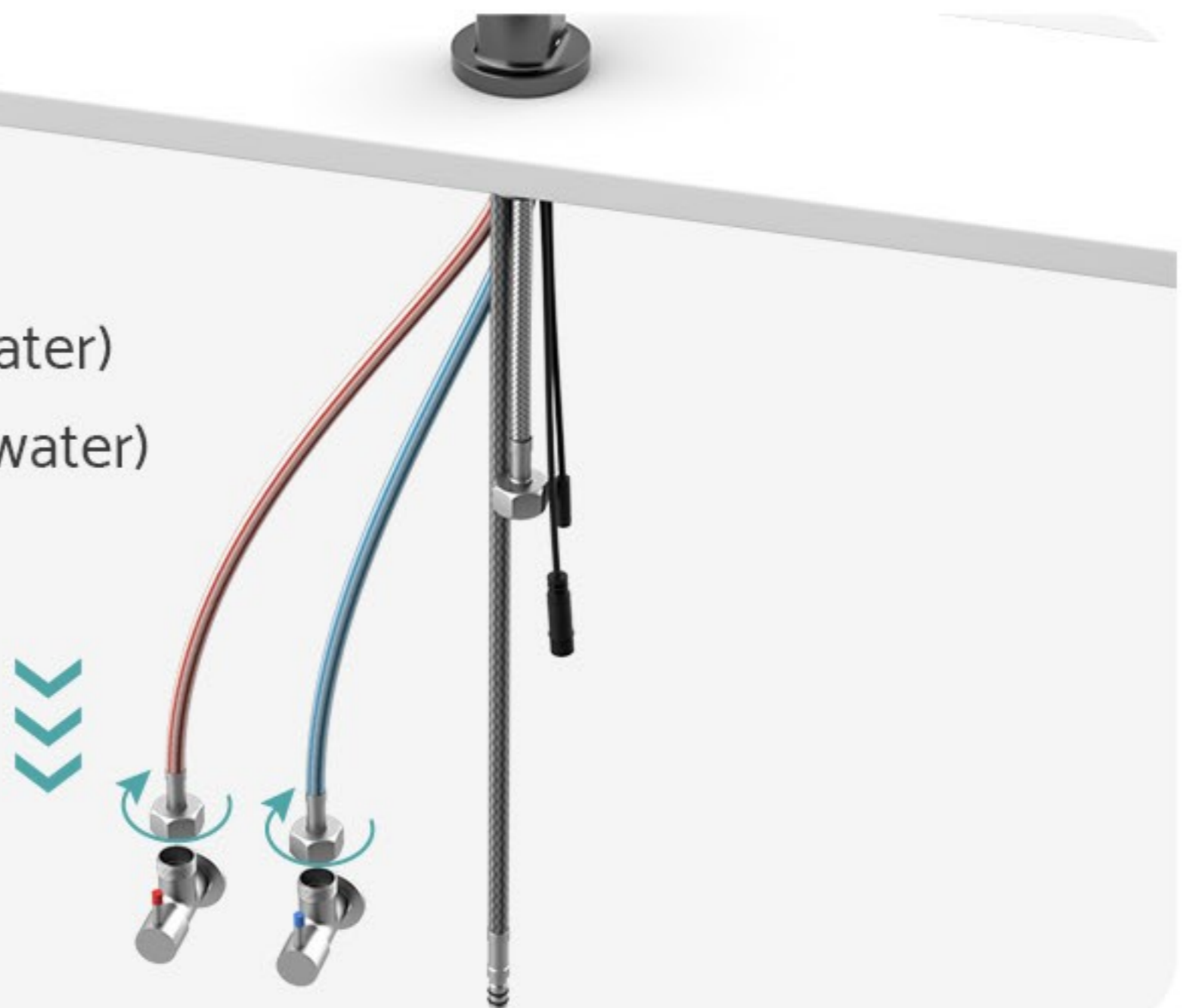
Fasten the screws with the screwdriver.



## STEP 4:

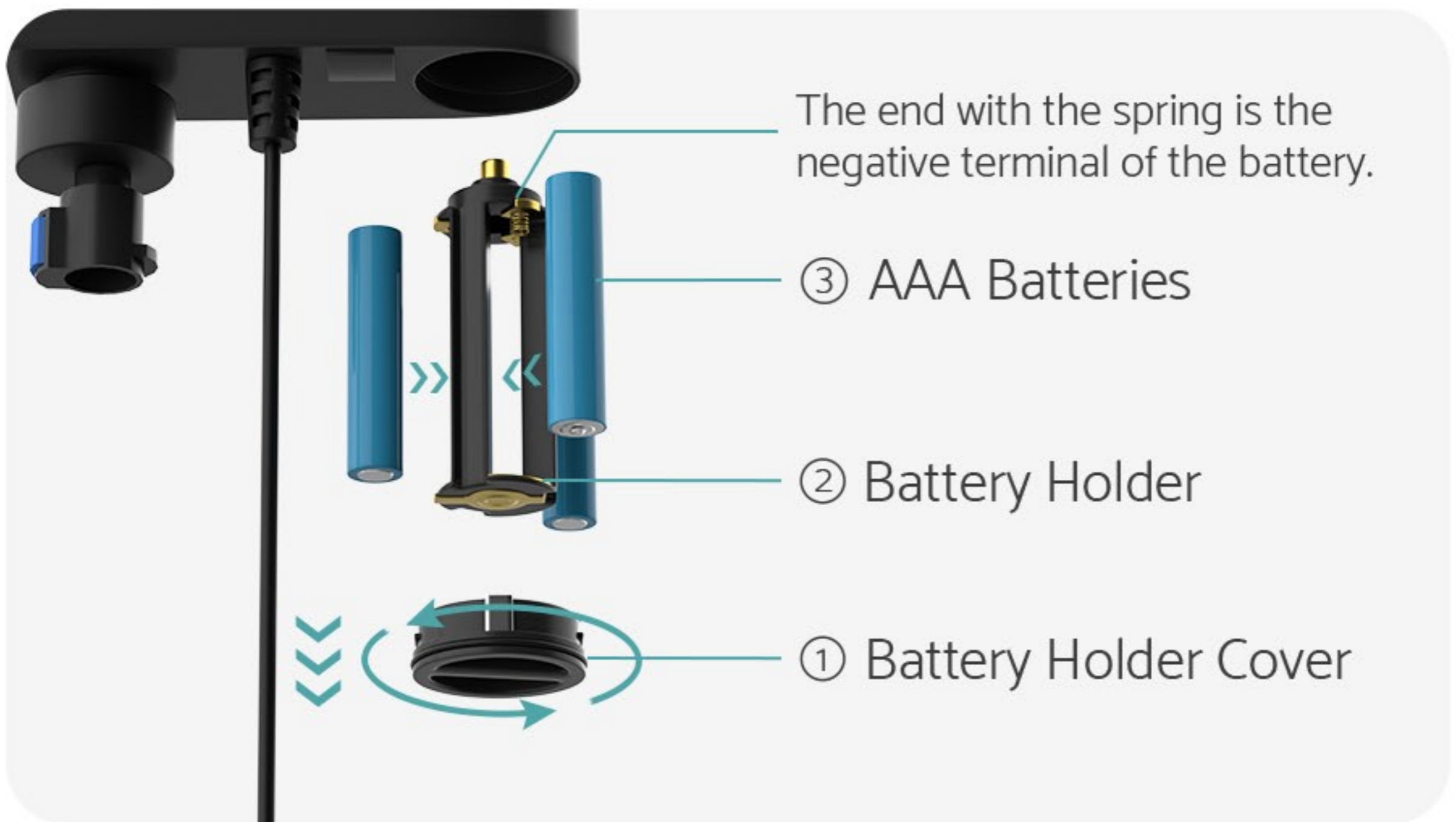
Connect the hot, cold water lines, and tighten them clockwise.

Red Hose (hot water)  
Blue Hose (cold water)



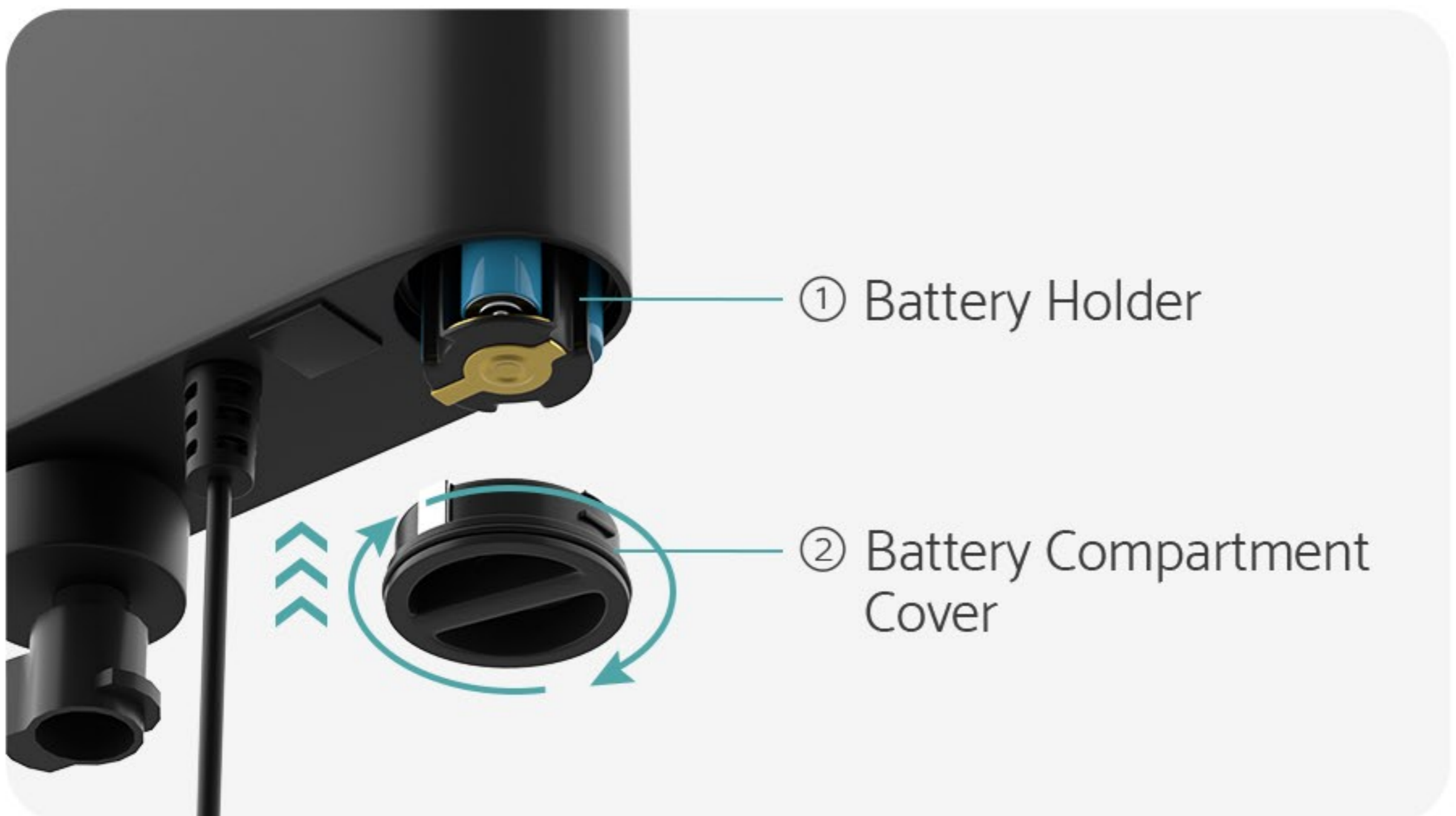
## STEP 5:

Turn the battery cover counterclockwise, remove the holder, and insert three AAA batteries.



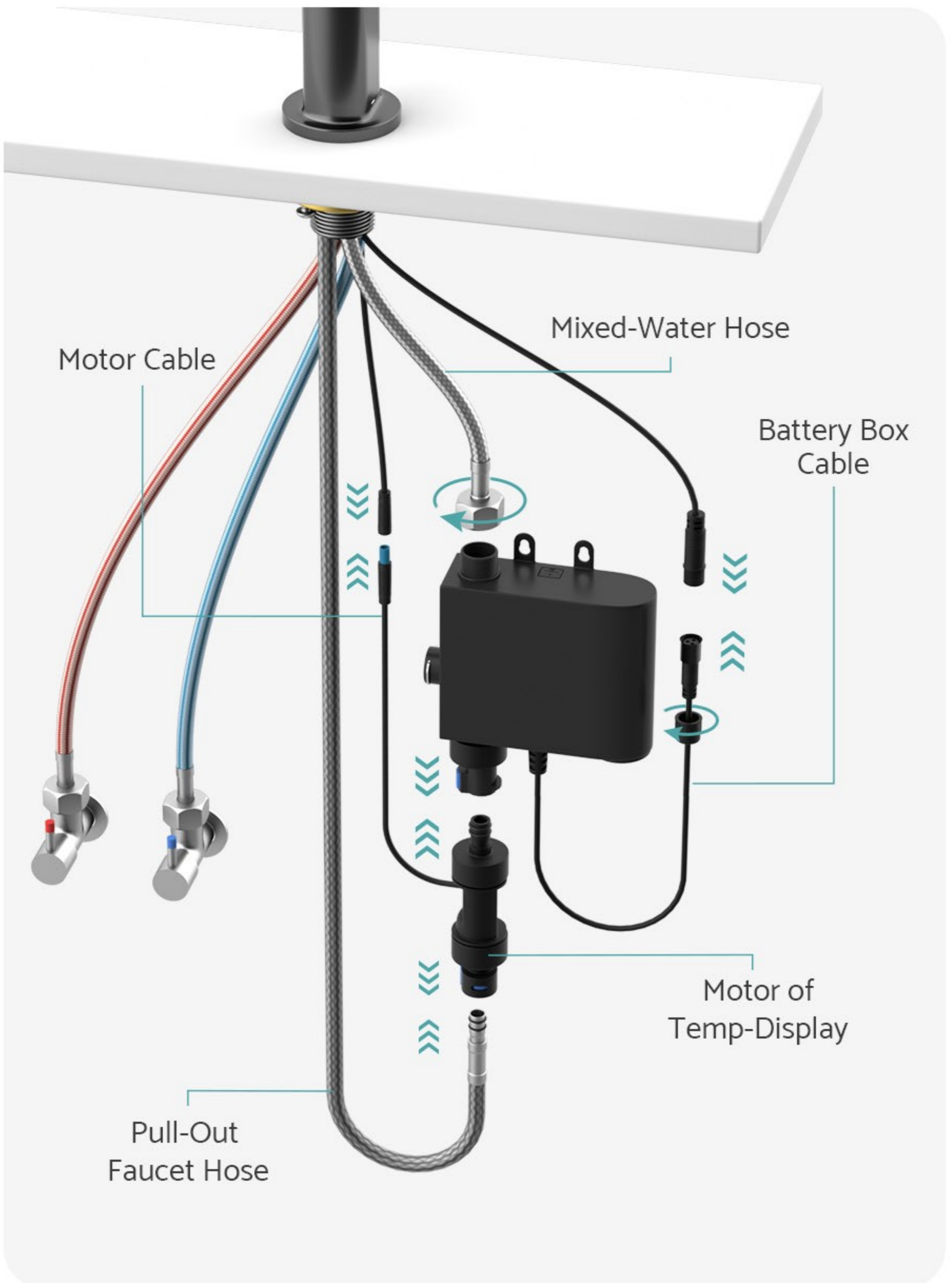
## STEP 6:

Insert the holder back into the compartment and securely close the cover by turning it clockwise.



## STEP 7:

Connect the sensor box and motor as shown in the diagram.



## STEP 8:

Attach the hose weight to the pull-out faucet hose as shown in the picture below.



## STEP 9:

Turn on the faucet and check all connections to ensure there are no leaks.



# Induction Sensor Control Box

## Alternative Power via USB Type-C:

If AAA batteries are not used, the induction sensor can also be powered via the USB Type-C port.



**Emergency Switch:** In case of low battery power or sensor failure, manually turn the emergency switch (located on the left side) counterclockwise several turns. This will deactivate the sensor and switch the faucet to manual mode, allowing it to be operated using the handle like a regular faucet.

