






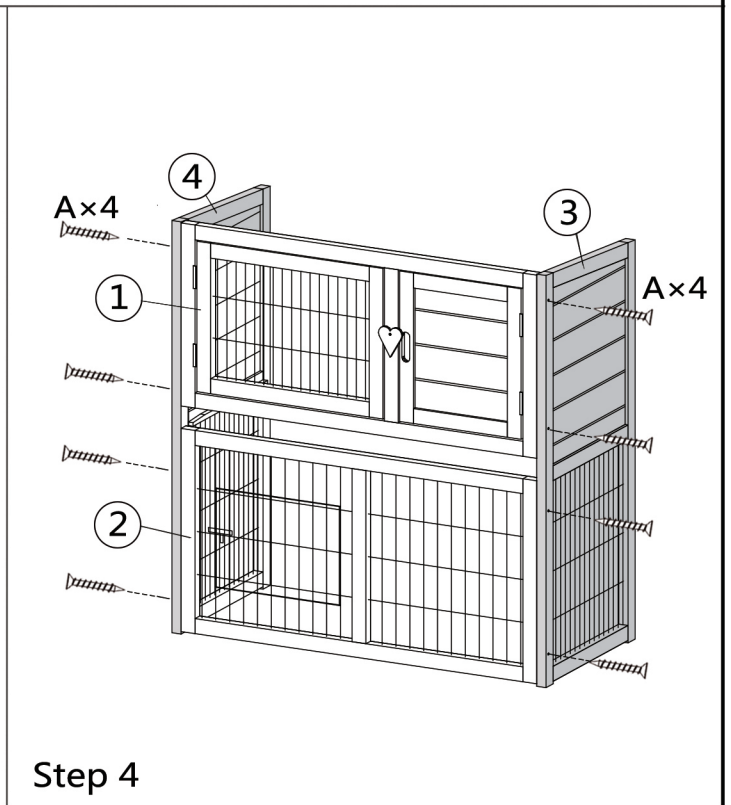
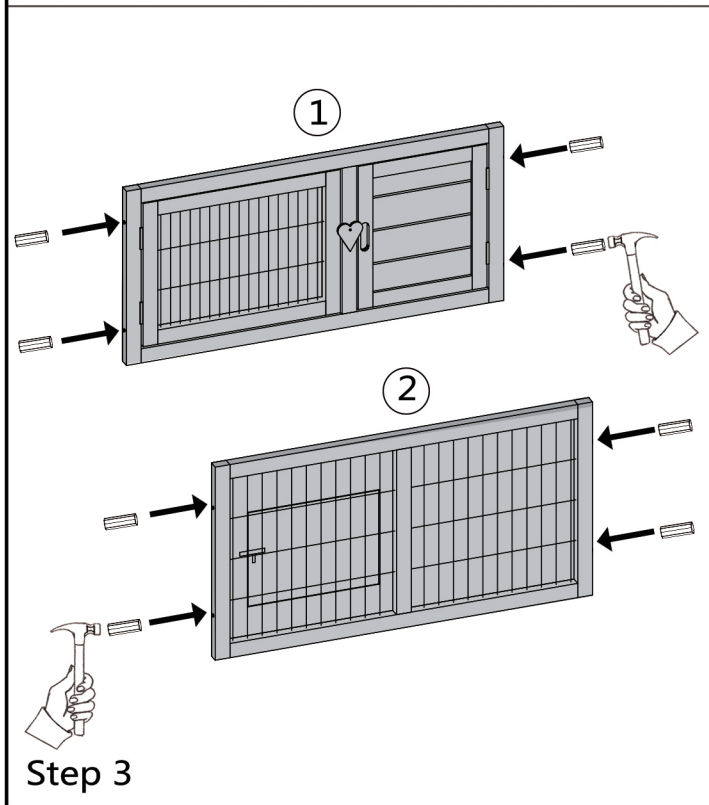
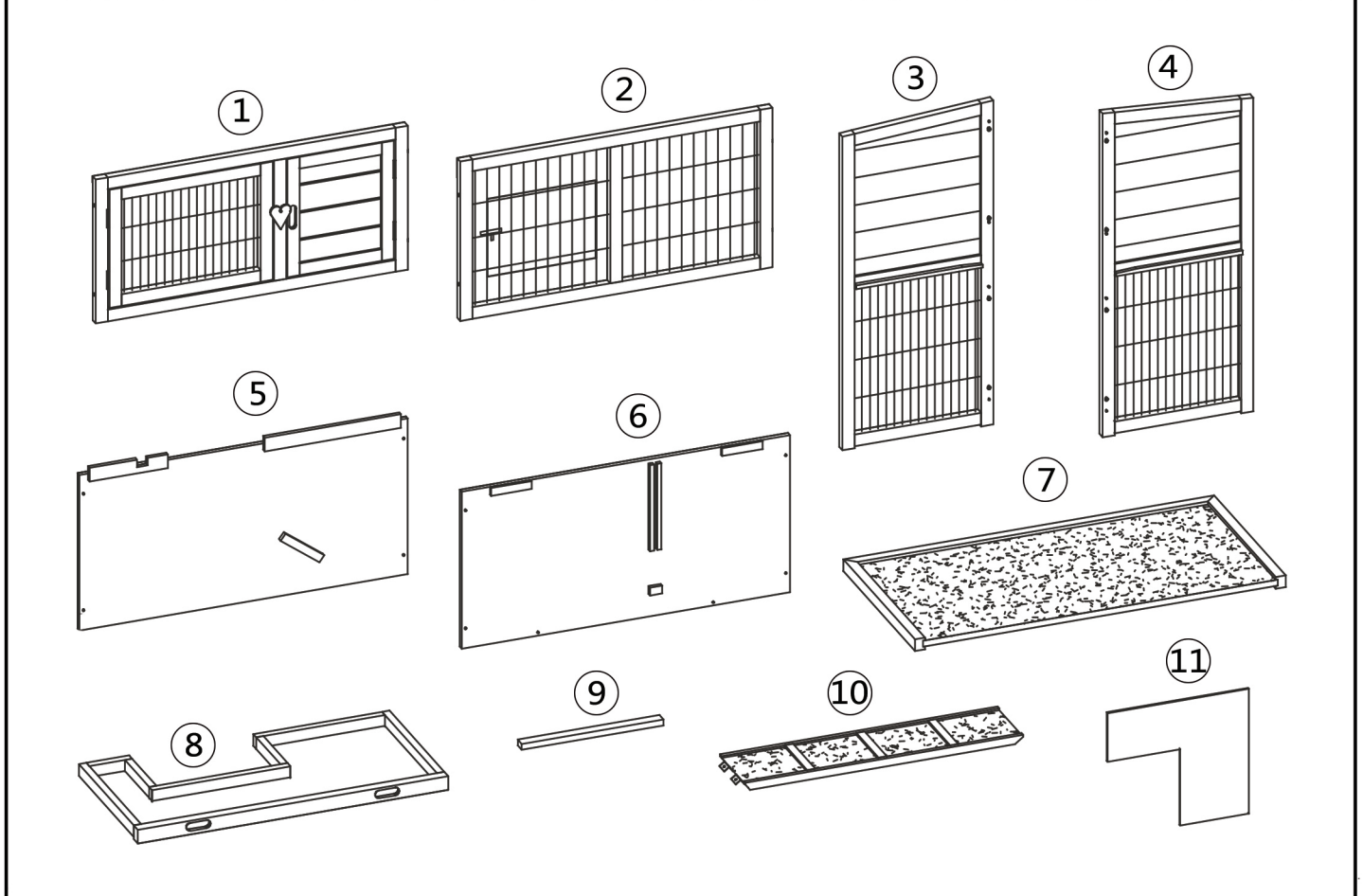
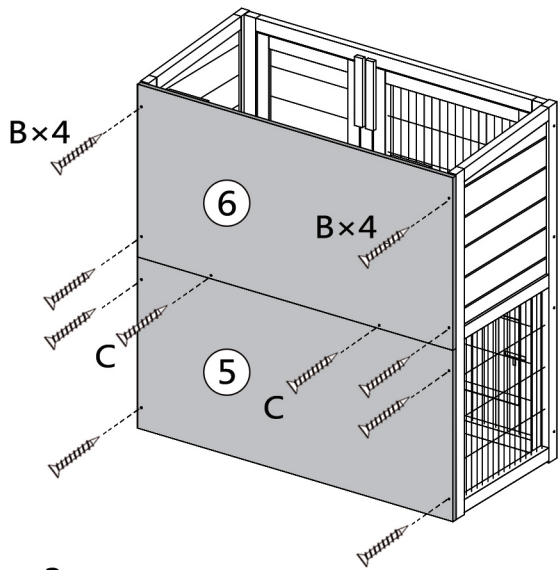


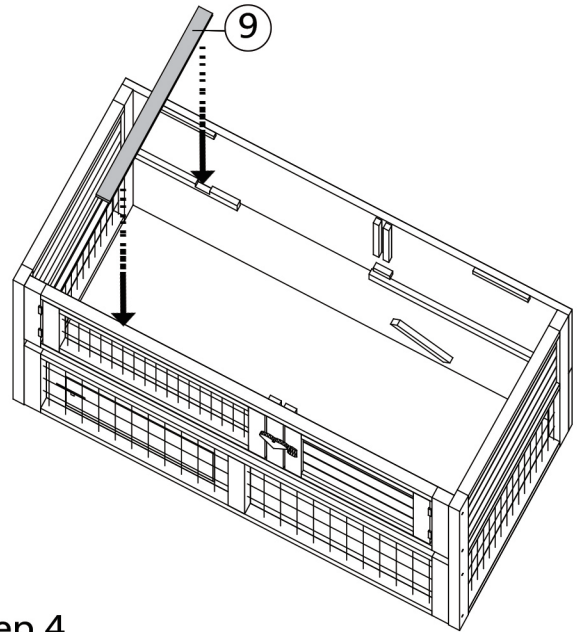
# Assembly Instructions

A	 3.5×40mm 8+1pcs	B	 3.5×30mm 8+1pcs	C	 3.0×20mm 2+1pcs
D	 3.0×16mm 10+1pcs	E	 3.0×38mm 1+1pcs	 8pcs	 L 1pc

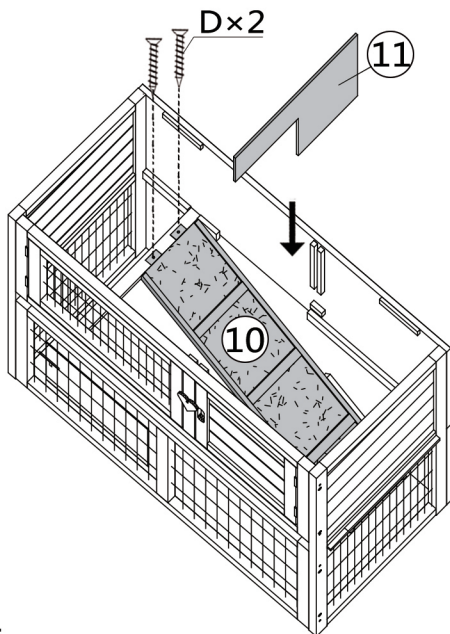




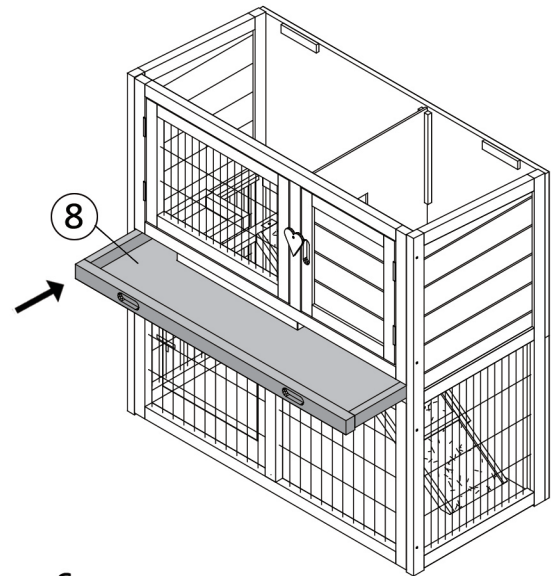
Step 3



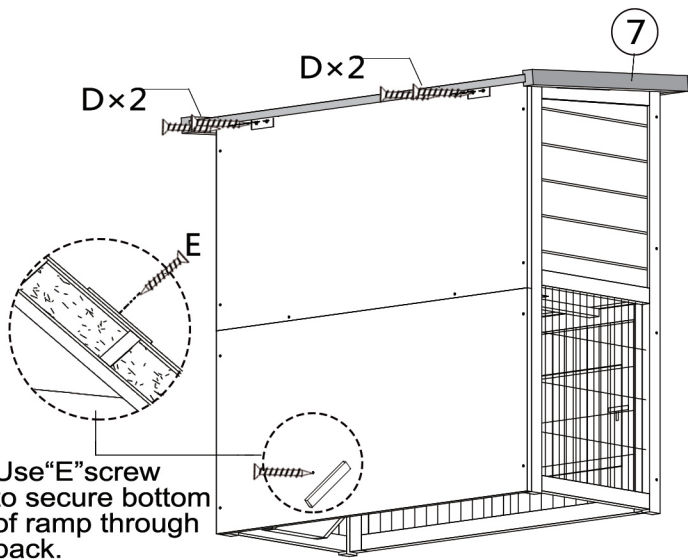
Step 4



Step 5

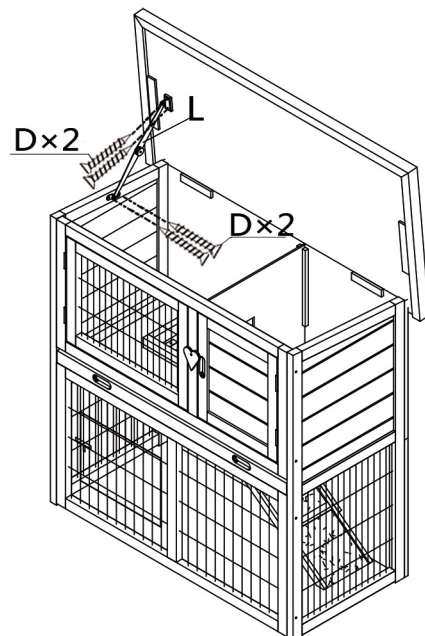


Step 6



Use "E" screw to secure bottom of ramp through back.

Step 7



Step 8