

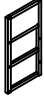



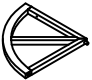




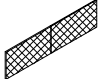

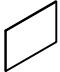





**ASSEMBLY INSTRUCTIONS**  
**PRODUCT#7860 (CFV2705)**  
**HAMPTON MEADOWS HALF MOON**  
**CONSOLE TABLE WITH 6 BASKETS AND SHELF**

PARTS LIST				HARDWARE LIST			
NO	DESCRIPTION	FIGURE	QTY	NO	DESCRIPTION	FIGURE	QTY
1	TOP		1	A	JCBC SCREW (3/16"x35mm)		30
2	SIDE FRAME (LEFT)		1	B	BASKET FRAME		2
3	SIDE FRAME (RIGHT)		1	C	BASKET BOTTOM		2
4	SHELF FRAME 1		2	D	BASKET BOTTOM		4
5	SHELF FRAME 2		1	E	BASKET FRONT		4
6	MIDDLE FRAME (LEFT)		1	F	BASKET LEFT AND RIGHT		4
7	MIDDLE FRAME (RIGHT)		1				
8	BACK SIDE		2				
9	MIDDLE SIDE		1				
10	BOTTOM FRAME		1				
11	STRUTS SIDE		2				

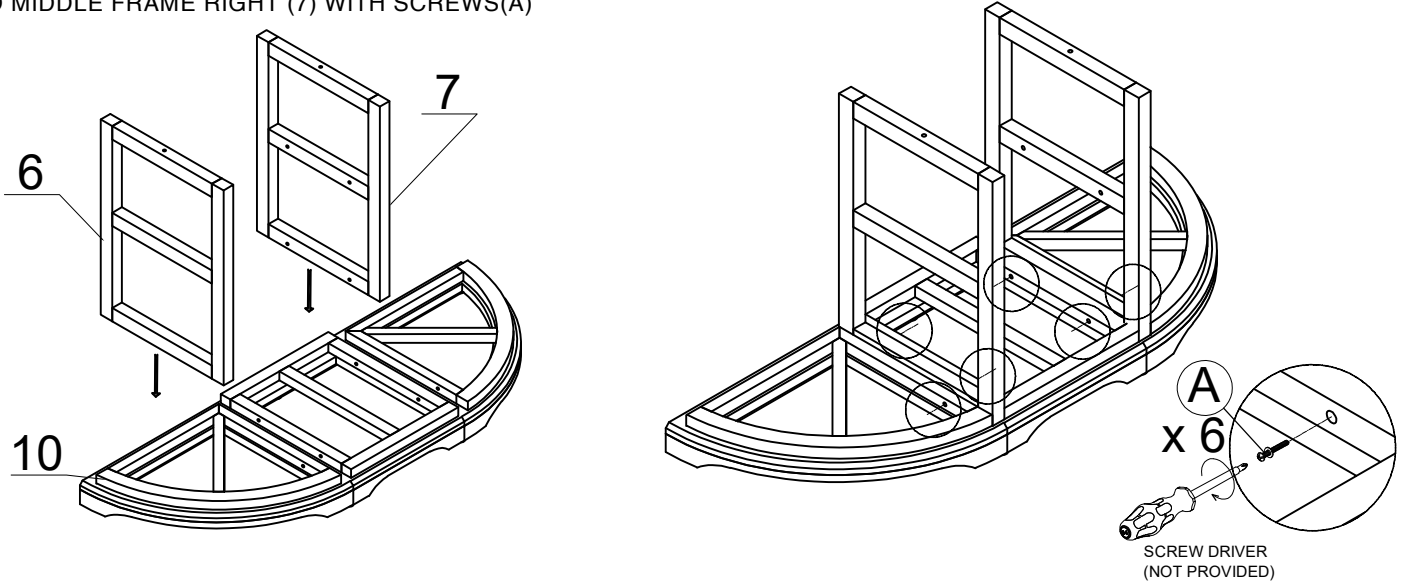
# ASSEMBLY INSTRUCTIONS

## PRODUCT#7860 (CFV2705)

### HAMPTON MEADOWS HALF MOON CONSOLE TABLE WITH 6 BASKETS AND SHELF

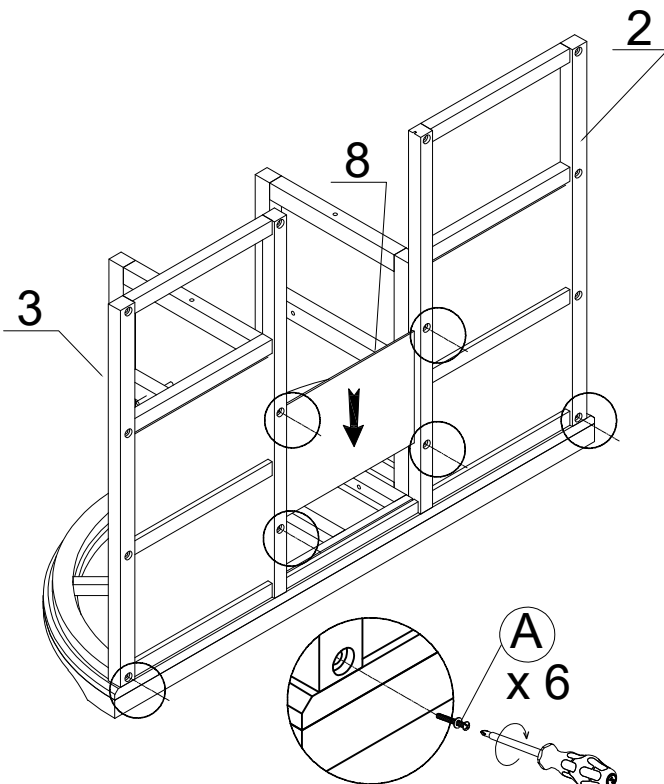
#### STEP 1:

A. CONNECT BOTTOM FRAME(10) WITH MIDDLE FRAME LEFT (6)  
AND MIDDLE FRAME RIGHT (7) WITH SCREWS(A)



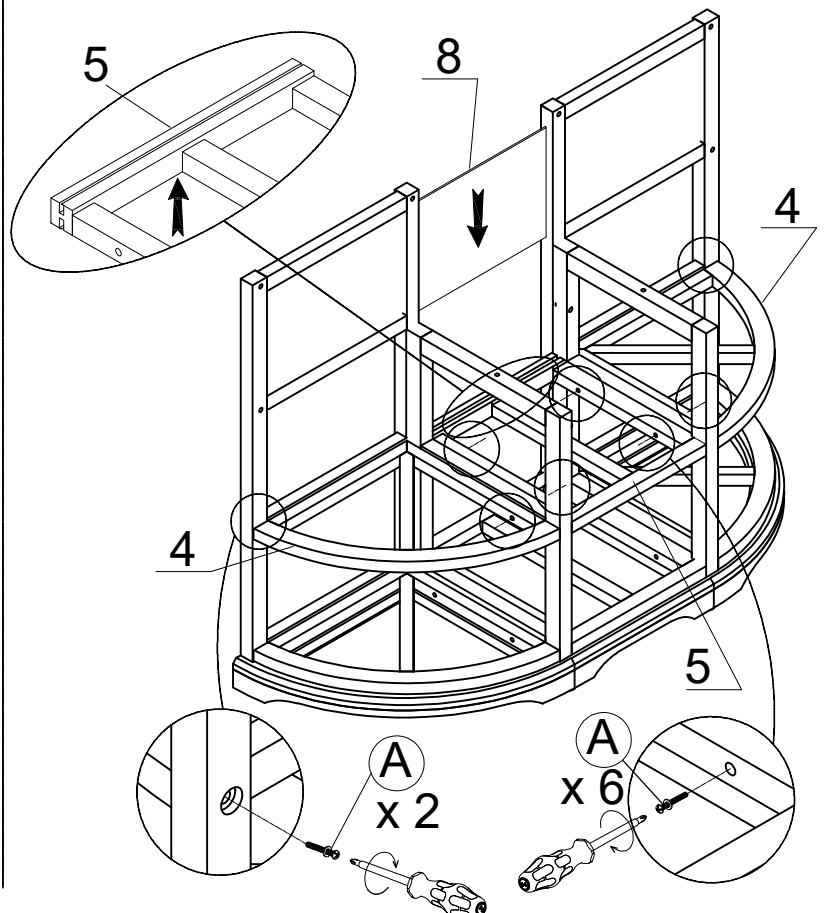
#### STEP 2:

A. CONNECT BOTTOM FRAME(10) WITH SIDE  
FRAME LEFT (2)  
AND SIDE FRAME RIGHT (3) WITH SCREWS(A)  
B. PUT BACK SIDE (8) DOWN AS SHOWN



#### STEP 3:

A. CONNECT THE SHELF FRAME (4) AND THE SHELF  
FRAME (5) TO THE INSTALLED FRAME WITH SCREWS (A)  
B. PUT BACK SIDE (8) DOWN AS SHOWN



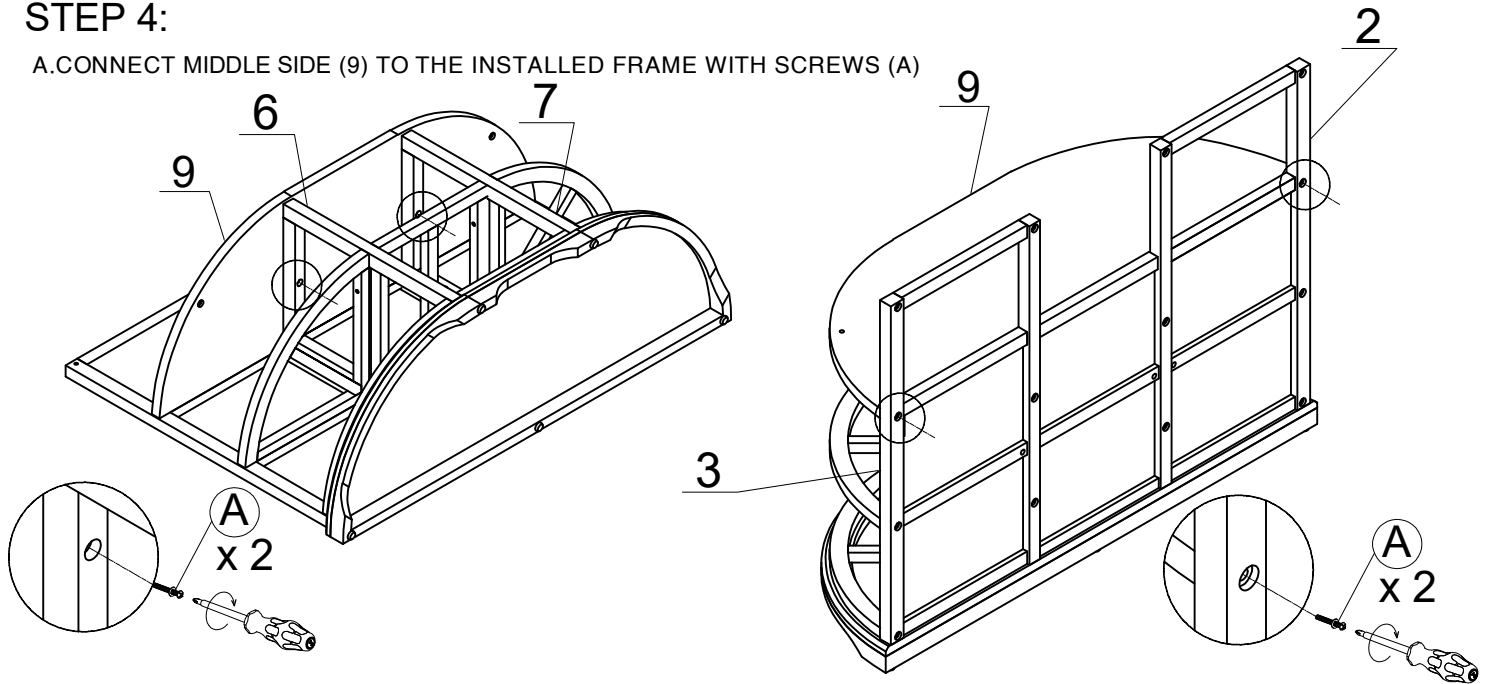
# ASSEMBLY INSTRUCTIONS

## PRODUCT#7860 (CFV2705)

### HAMPTON MEADOWS HALF MOON CONSOLE TABLE WITH 6 BASKETS AND SHELF

#### STEP 4:

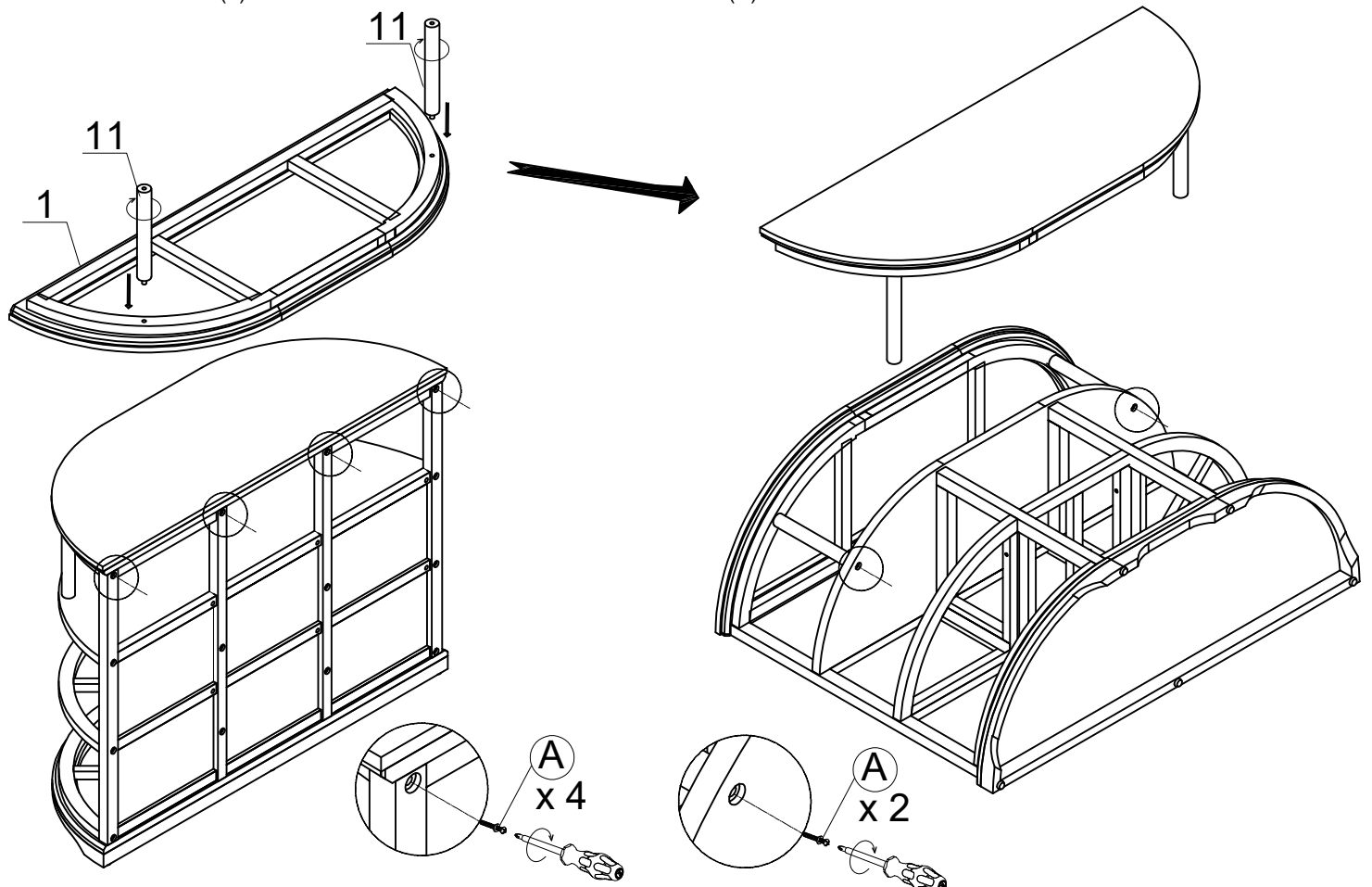
A. CONNECT MIDDLE SIDE (9) TO THE INSTALLED FRAME WITH SCREWS (A)



#### STEP 5:

A. CONNECT THE STRUTS SIDE (11) TO THE TOP (1) BY ROTATE CLOCKWISE

B. CONNECT TOP (1) TO THE INSTALLED FRAME WITH SCREWS (A)



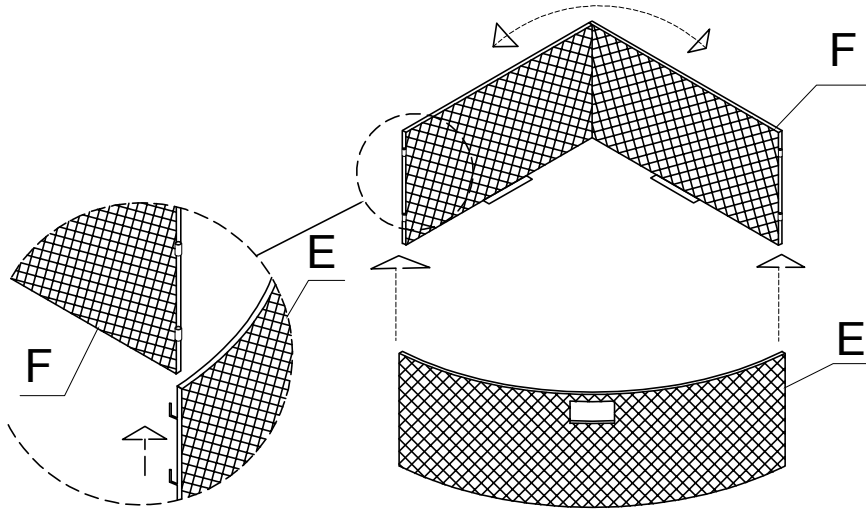
# ASSEMBLY INSTRUCTIONS

## PRODUCT#7860 (CFV2705)

### HAMPTON MEADOWS HALF MOON CONSOLE TABLE WITH 6 BASKETS AND SHELF

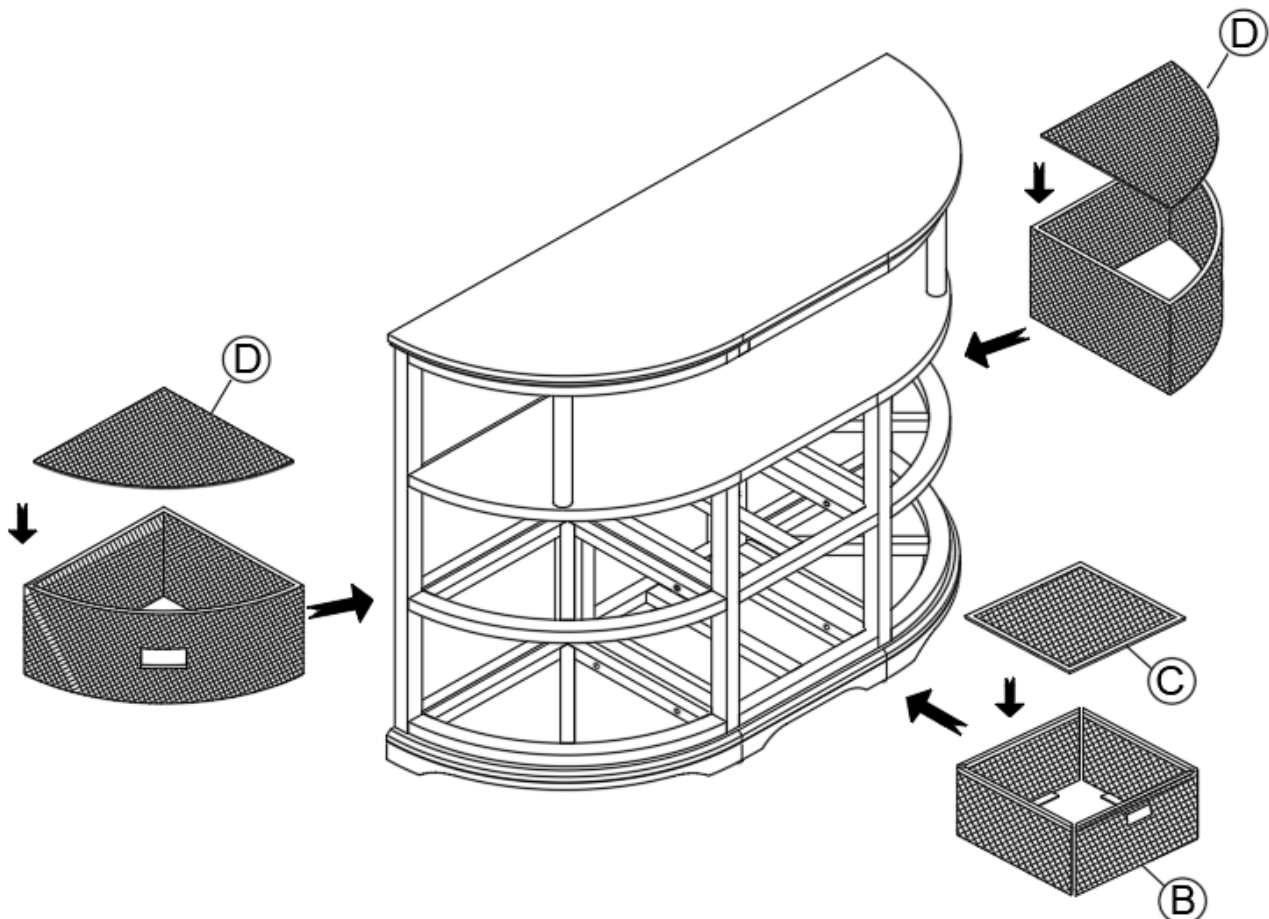
#### STEP 6:

- A. HOOK BASKET FRONT (E) INTO BASKET LEFT & RIGHT (F) AS SHOWN.

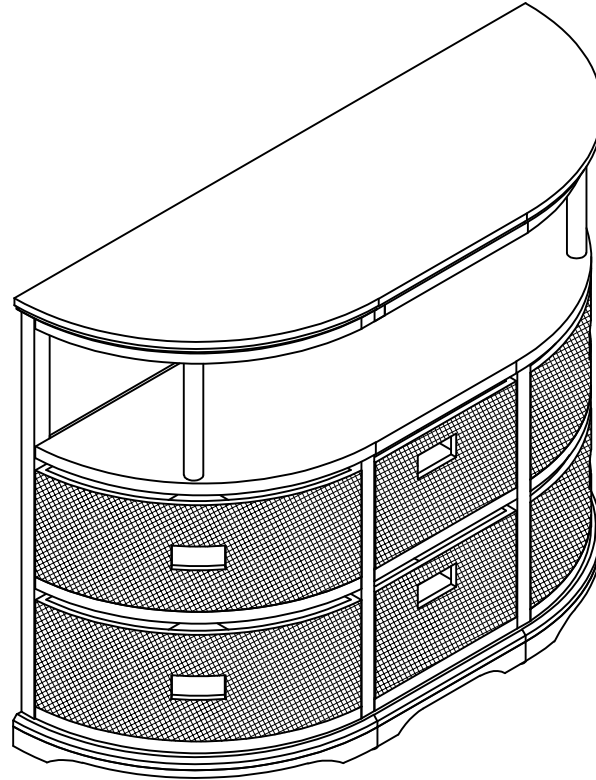


#### STEP 7:

- A. INSERT BASKET BOTTOM (D) INTO THE BASKET ASSEMBLED FROM STEP 6  
B. REPEAT FOR THE REMAINING BASKET BOTTOM(D)  
C. INSERT BASKET BOTTOM (C) WITH BASKET FRAME(B)  
D. REPEAT FOR THE REMAINING BASKET BOTTOM(C)  
E. PLACE THE BASKETS AS SHOWN



**ASSEMBLY INSTRUCTIONS**  
**PRODUCT#7860 (CFV2705)**  
**HAMPTON MEADOWS HALF MOON**  
**CONSOLE TABLE WITH 6 BASKETS AND SHELF**



**IMPORTANT NOTE:**

- PLACE ALL WOODEN PARTS ON A CLEAN AND SMOOTH SURFACE TO AVOID SCRATCHING.
- KINDLY FOLLOW THE ASSEMBLY INSTRUCTION STEP BY STEP.
- WE RECOMMEND THAT YOU PERIODICALLY TIGHTEN ALL BOLTS/SCREWS. PLEASE MAKE SURE ALL BOLTS/ SCREWS ARE PLACED IN THEIR PROPER POSITION AND ARE TIGHTENED SECURELY TO ENSURE YOUR SAFETY.
- WEIGHT RESTRICTION: TOP 250LBS AND SHELF 200LBS, BASKETS 15LBS EACH.
- DO NOT STAND OR CLIMB ON THE END TABLE.
- NOT FOR COMMERCIAL USE.

\*In case you need any extra parts or further services, for Wayfair customers, please feel free to contact with Wayfair directly, for all others please feel free to contact us directly instead of returning your order, we will be more than happy to help you within a business day.

CHICAGO STOOL & CHAIR INC.

1230 St. Charles Street, Elgin, IL 60120, USA

Tel#847-2899955

Fax#847-2899911

Email: [service@ehemco.com](mailto:service@ehemco.com)

[www.eHemco.com](http://www.eHemco.com)

Version □□□□□□□□



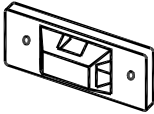

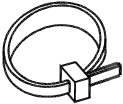
# ANTI-TIP HARDWARE MOUNTING INSTRUCTIONS FOR DRYWALL (CONTINUED) PRODUCT #7860 (CFV2705)

PHILIPS HEAD SCREW DRIVER, DRILL, 7/32" DRILL BIT NEEDED FOR ASSEMBLY; NOT INCLUDED.

FOR SAFETY REASONS, WE RECOMMEND THAT YOU INSTALL THE INCLUDED ANTI-TIP HARDWARE TO HELP PREVENT THE TOWER FROM UNEXPECTEDLY TIPPING OR SHIFTING.

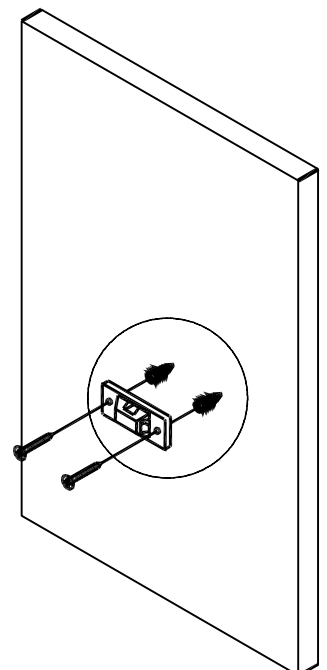
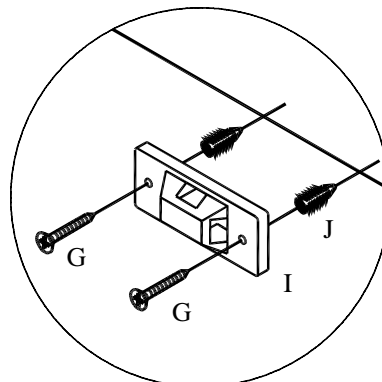
THE INCLUDED MATERIALS ARE DESIGNED TO MOUNT THE ANTI-TIP HARDWARE TO DRYWALL.

PLEASE CONSULT A REPRESENTATIVE AT A HARDWARE/HOME IMPROVEMENT STORE TO DISCUSS ADDITIONAL MOUNTING OPTIONS FOR OTHER TYPES OF WALLS.

PART LIST	FIGURE	QUANTITY	DESCRIPTION
G		2 PCS	LONG SCREW 5/16" x 1-1/2"
H		2 PCS	SHORT SCREW 5/16" x 3/4"
I		2 PCS	MOUNTING BRACKET
J		2 PCS	PLASTIC ANCHOR
K		1 PC	ZIP TIE

## STEP 1

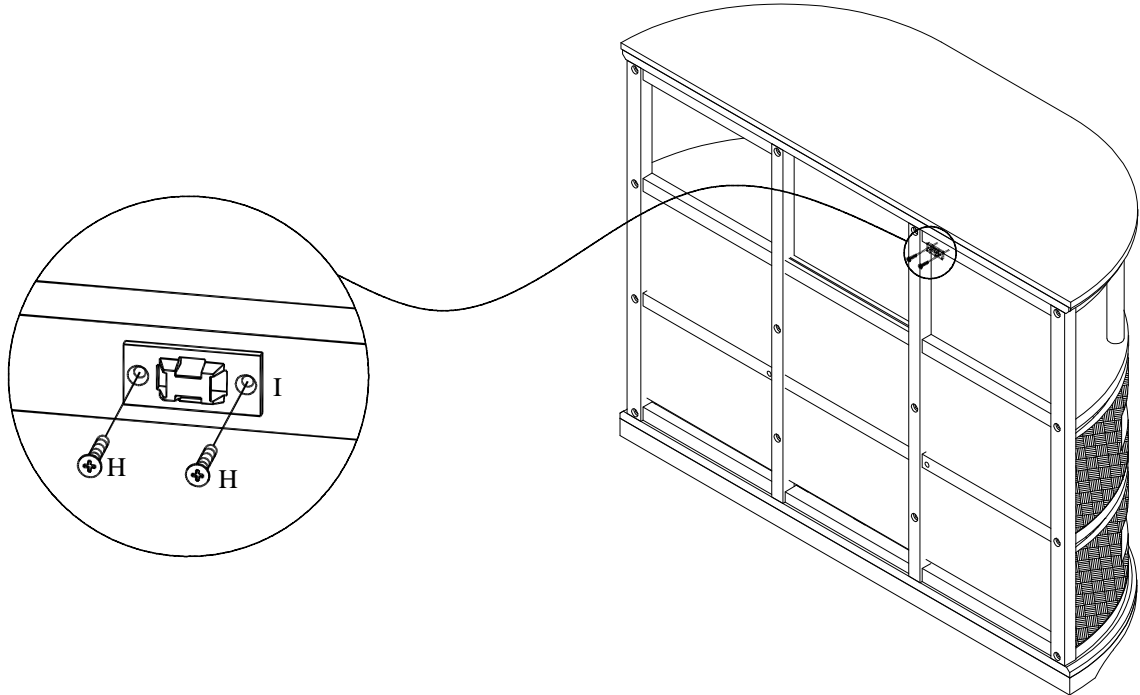
- A. DETERMINE WHERE THE CONSOLE IS PLACED, THEN MARK THE POSITION OF MOUNTING BRACKET ON THE WALL.
- B. DRILL HOLES IN THE WALL. PRESS THE PLASTIC ANCHORS (J) INTO THE HOLES.
- C. ALIGN MOUNTING BRACKET WITH THE PLASTIC ANCHORS (J) INSERT LONG SCREW (G) THROUGH MOUNTING BRACKET (I) INTO PLASTIC ANCHORS (J) USING PHILIPS HEAD SCREW DRIVER, NOT INCLUDED



# ANTI-TIP HARDWARE MOUNTING INSTRUCTIONS FOR DRYWALL (CONTINUED) PRODUCT #7860 (CFV2705)

## STEP 2

A. ATTACH MOUNTING BRACKET TO SIDE FRAME AT BACK OF THE CONSOLE WITH SHORT SCREW (H) USING PHILLIPS HEAD SCREW DRIVER, NOT INCLUDED



## STEP 3

A. ALIGN THE CONSOLE MOUNTING BRACKET TO WALL MOUNTING BRACKET.  
B. FEED THE ZIP TIE (K) THROUGH BOTH MOUNTING BRACKETS (I) TO CONNECT  
C. CHECK TO MAKE SURE THE ZIP TIE (K) IS SECURELY TIGHTENED.

