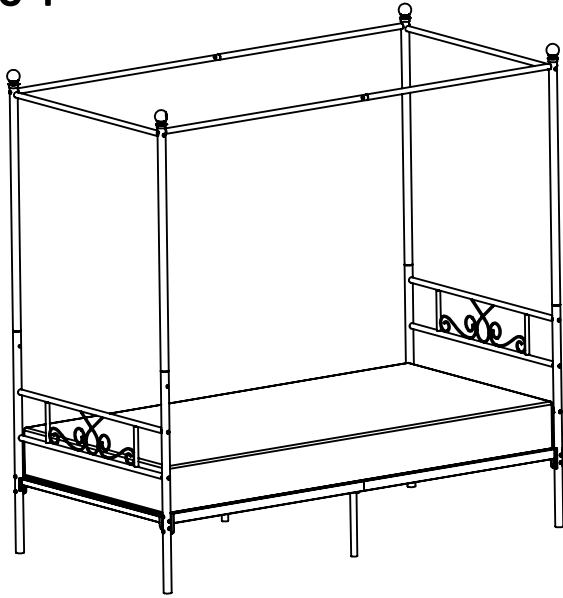
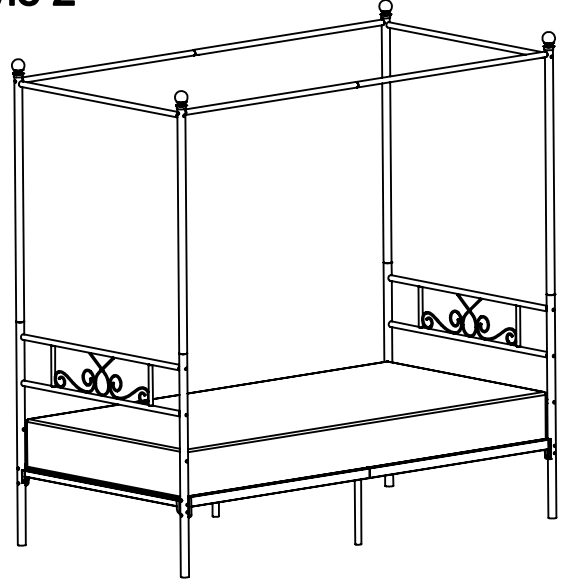


# Assembly manual

Style 1



Style 2



Notices: Mattress NOT included!!!

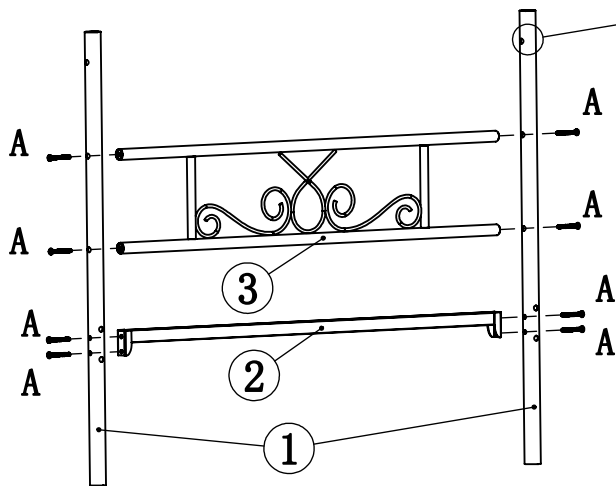
<p>① X4</p>	<p>② X2</p>	<p>③ X2</p>	<p>④ X3</p>					
<p>⑤ X2</p>	<p>⑥ X2</p>	<p>⑦ X1</p>	<p>⑧ X12</p>					
<p>⑨ X2</p>	<p>⑪ X4</p>	<p>⑫ X2</p>	<p>⑬ X2</p>					
<p>⑬ X4</p>	<p>Ax26</p> <p>M6X45</p>	<p>Bx8</p> <p>M8X45</p>	<p>Cx4</p> <p>M8X12</p>	<p>Dx4</p> <p>M6X35</p>	<p>Ex2</p> <p>M6X10</p>	<p>Fx4</p> <p>M6</p>	<p>K X24</p>	

### Step 1 – Footboard assembly by your choice

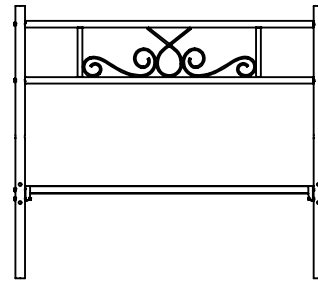
A	M6X45	8
---	-------	---

**Important note:**

#3 pipe should be assembled to the top mounting hole at the #1 pipe. Please do not assemble #4 pipe at the height adjusting hole (as shown below).

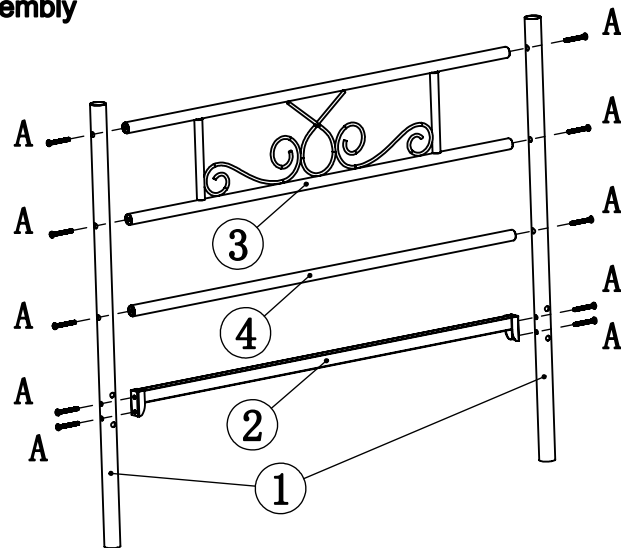


Please assemble #3 pipe into the top screw hole as needed.



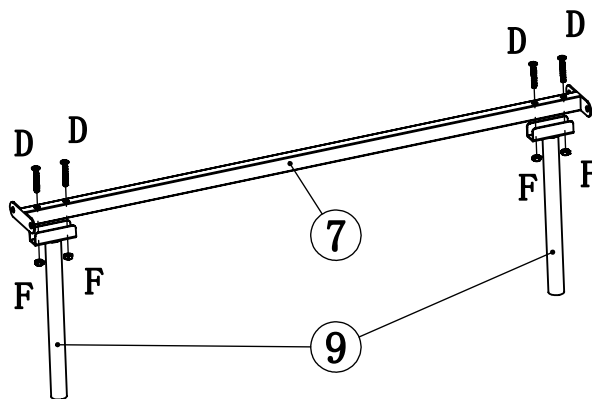
### Step 2 – Headboard assembly

A	M6X45	10
---	-------	----



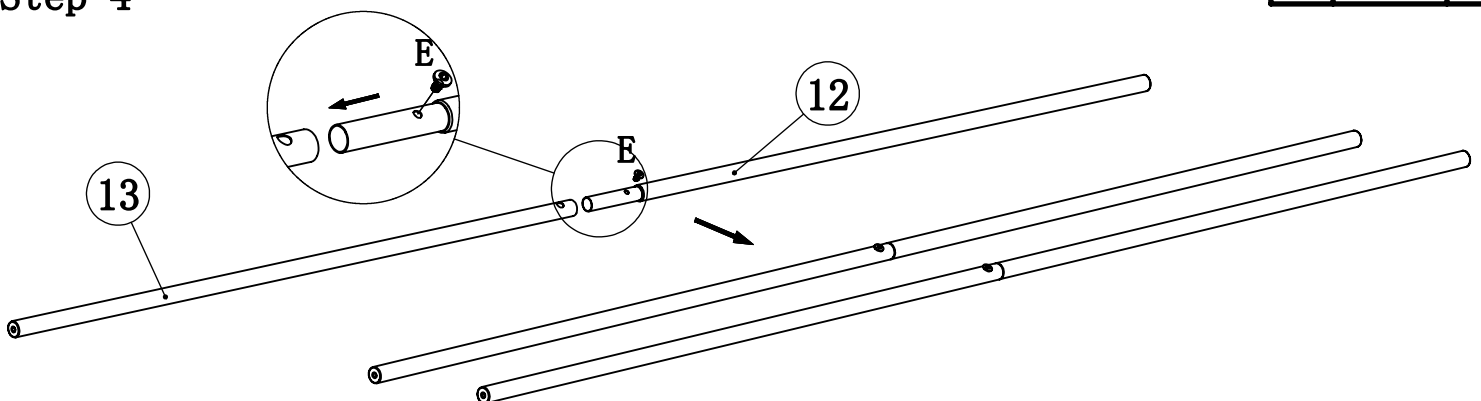
### Step 3

D	M6X45	4
F	M6	4



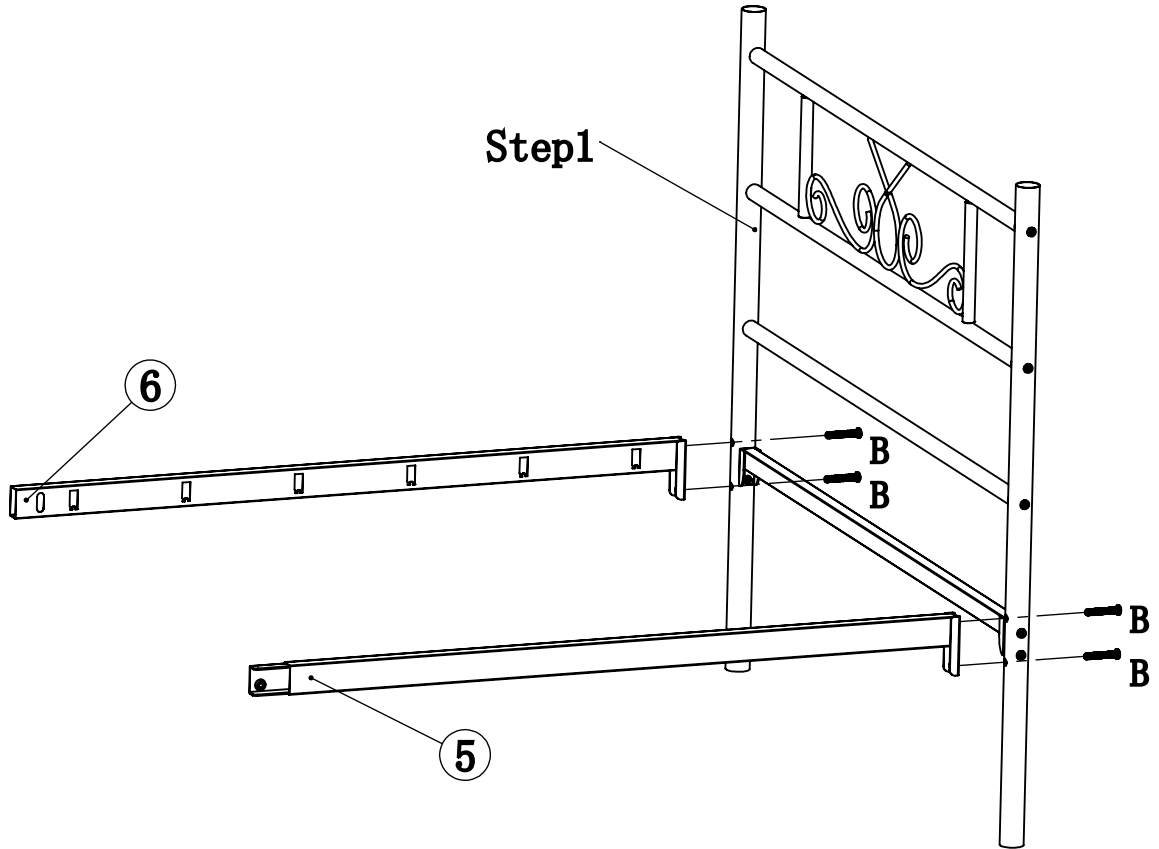
### Step 4

E	M6X10	2
---	-------	---



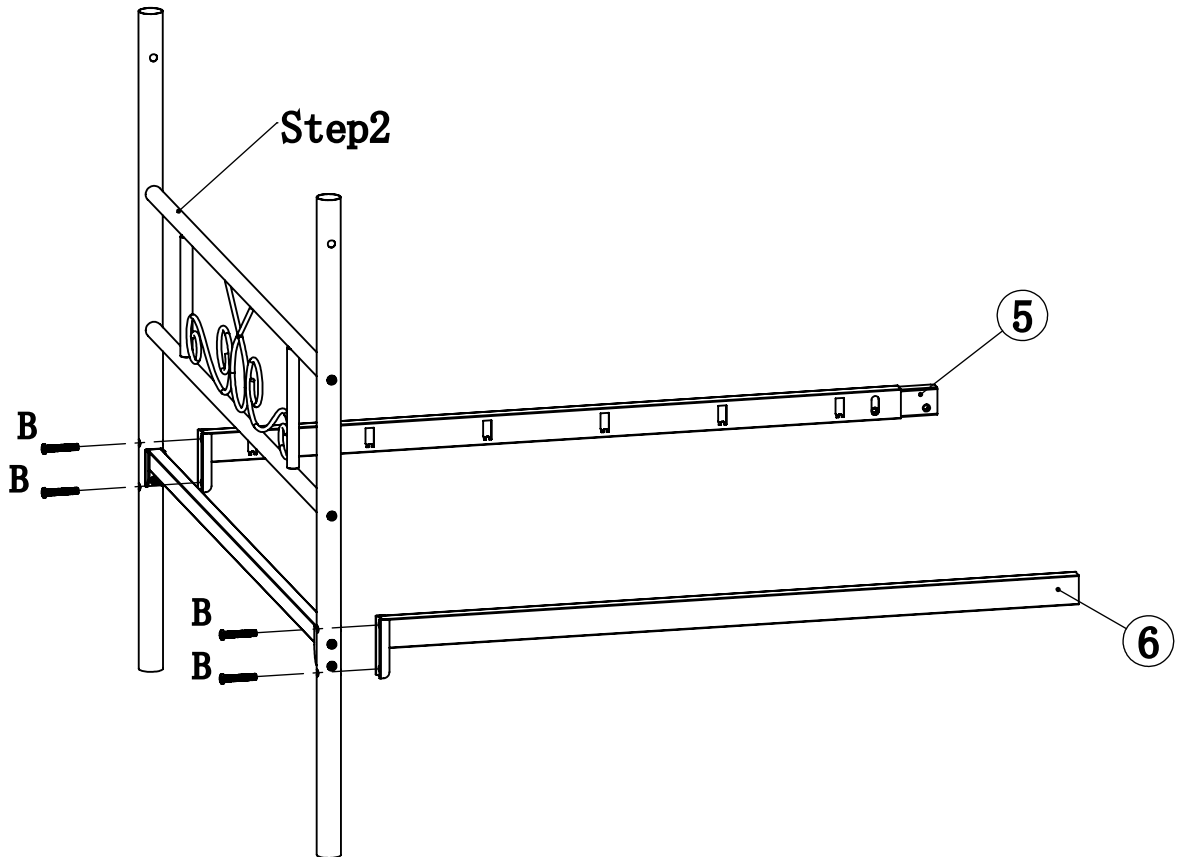
# Step 5

B M8X45 4



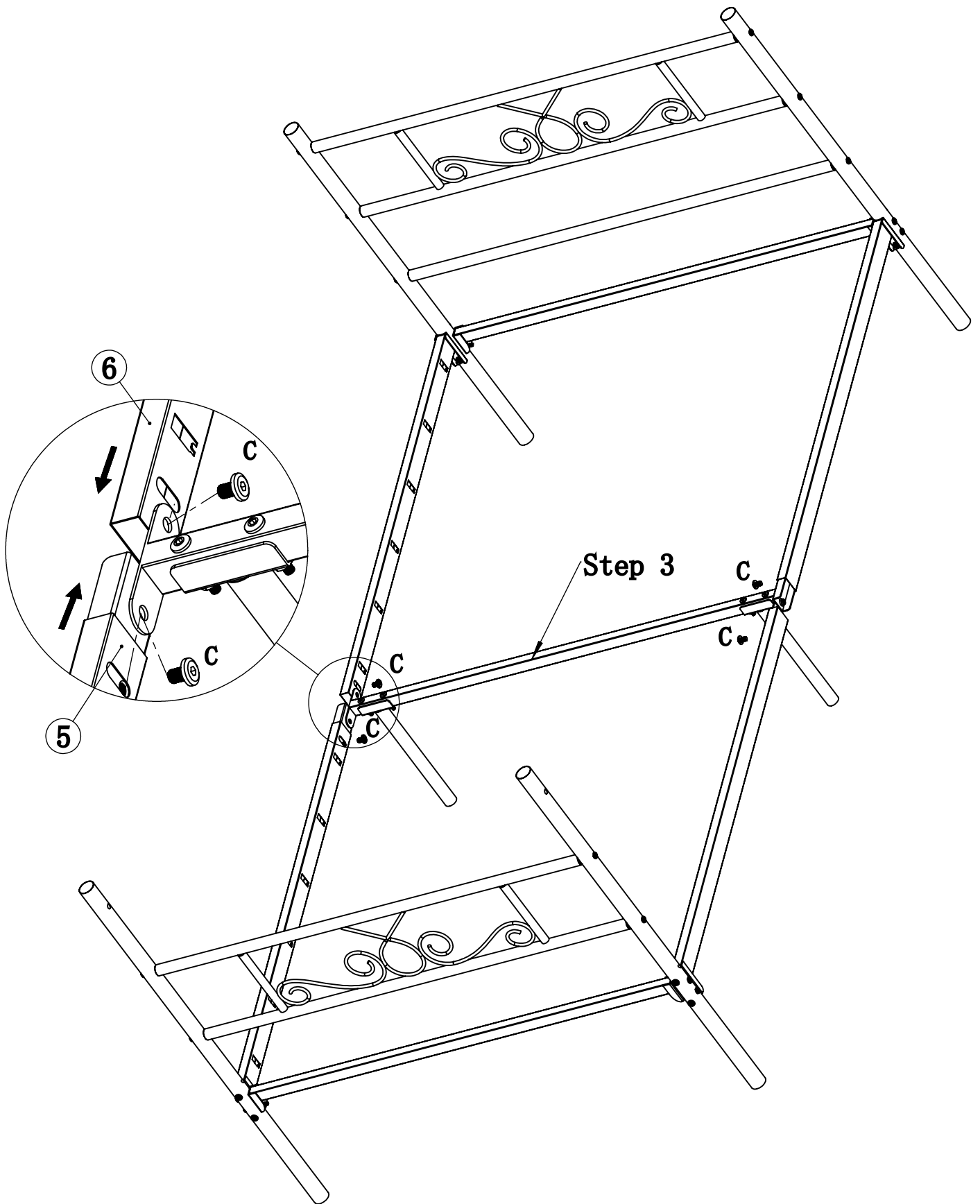
# Step 6

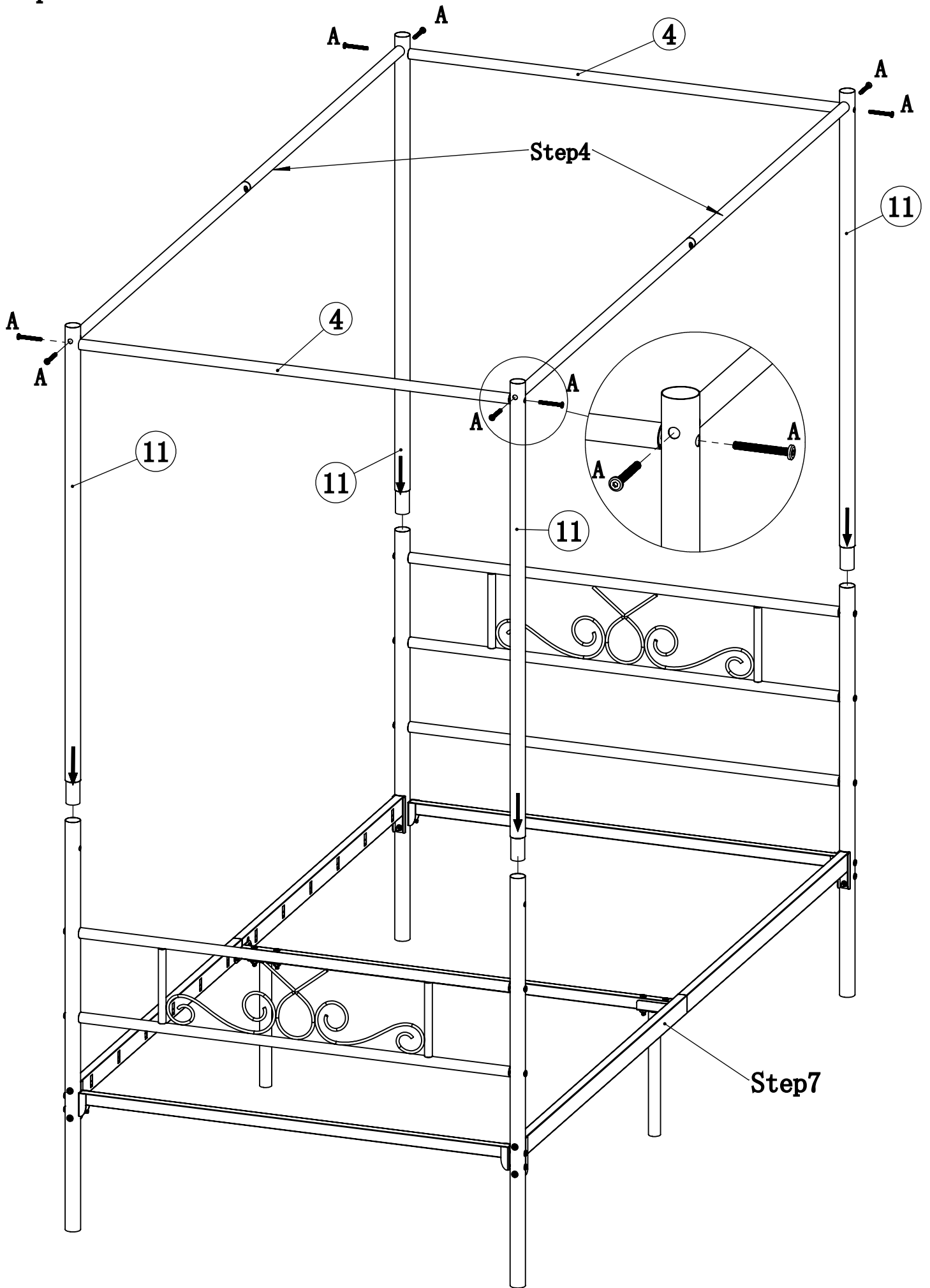
B M8X45 4



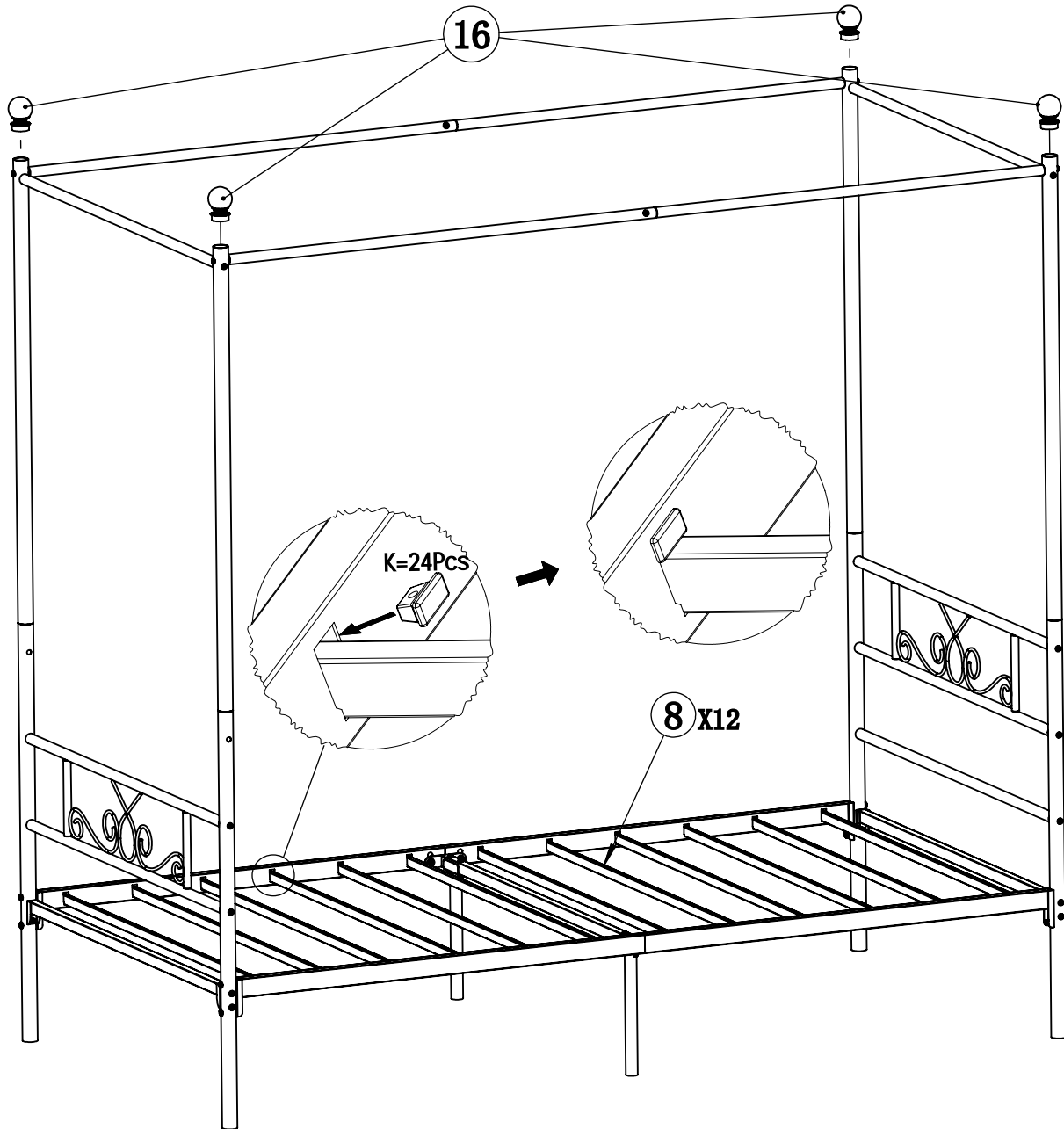
# Step 7

C M8X12 4

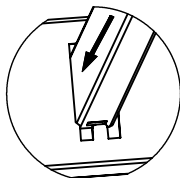




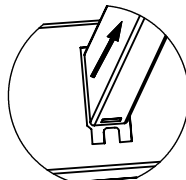
## Step 9



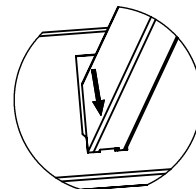
### Detailed Installation Steps of part ⑧ :



1. Fully inserted;



2. Align the holes on the other side and pull them reverse at the same time;



3. Align the small square hole and buckle it down to the end;

4. Note: Please check out the whole installation to ensure the small square holes on both sides of part ⑧ are fastened firmly and all the screws are fastened completely.