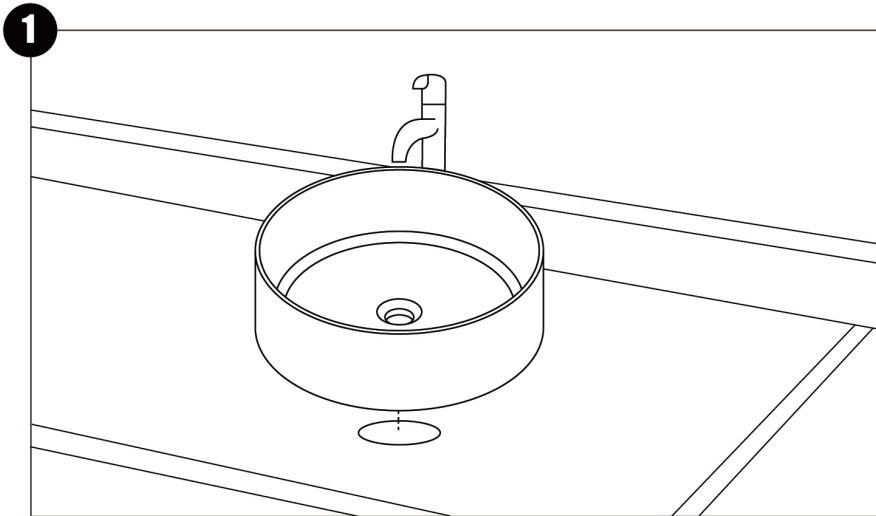
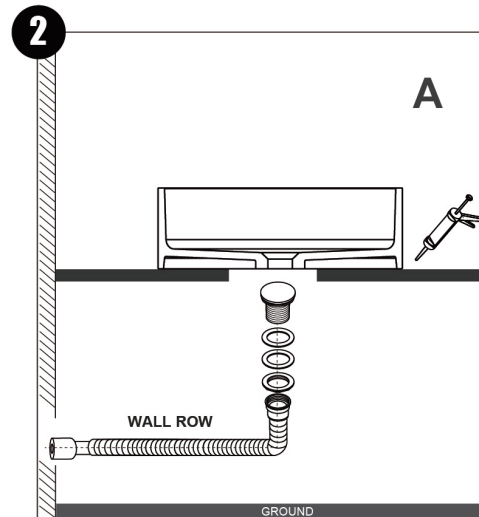


Basin Installation Guide



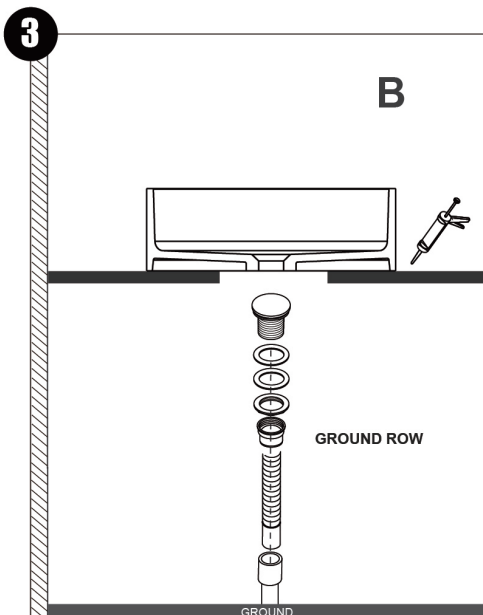
1. Put the basin according to the fix hole.



2. Insert the drain pipe into the drain port, install the conical washer and fastening nut, and tighten the nut.

After applying waterproof sealant on the bottom of the washbasin, put it on the end of the countertop. And connect the water inlet and drain pipe fittings.

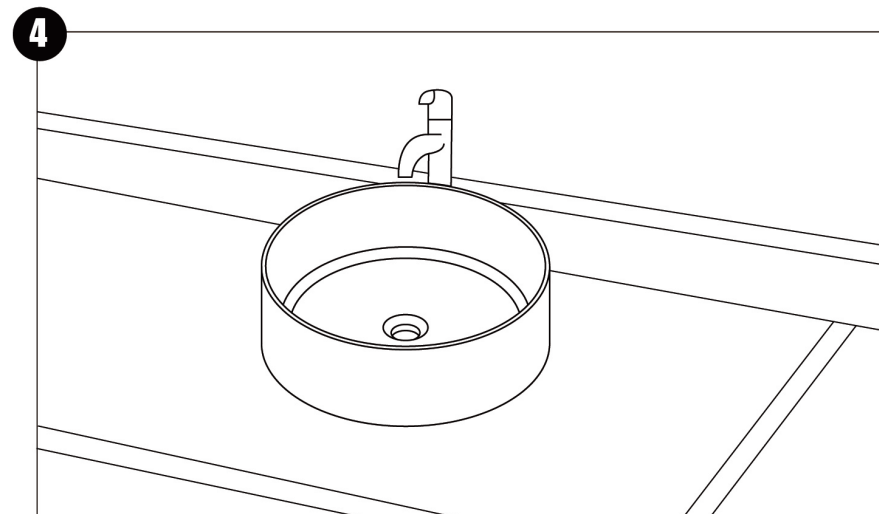
Install the fixing plate and the lock nut in turn from under the countertop and screw it up, install a gasket on the head of the screw, and the top of the gasket will not be delivered to the countertop.



3. Insert the drain pipe into the drain port, install the conical washer and fastening nut, and tighten the nut.

After applying waterproof sealant on the bottom of the washbasin, put it on the end of the countertop. And connect the water inlet and drain pipe fittings.

Install the fixing plate and the lock nut in turn from under the countertop and screw it up, install a gasket on the head of the screw, and the top of the gasket will not be delivered to the countertop.



4. After the sealing materials hardens, the installation is complete.