

Round Bar Stool

Assembly Guide

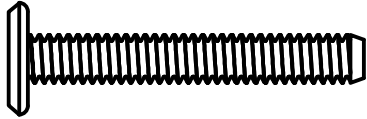


STBF01

*Actual Style May Vary from
the One Pictured in this Guide

HARDWARE INCLUDED

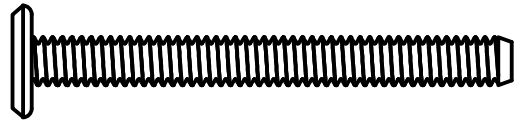
A



Qty: 8

1/4-20 x 1.75"

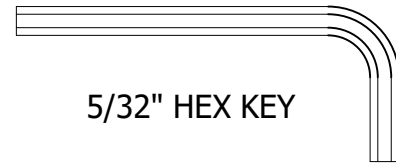
B



Qty: 4

1/4-20 x 2.50"

TOOLS INCLUDED

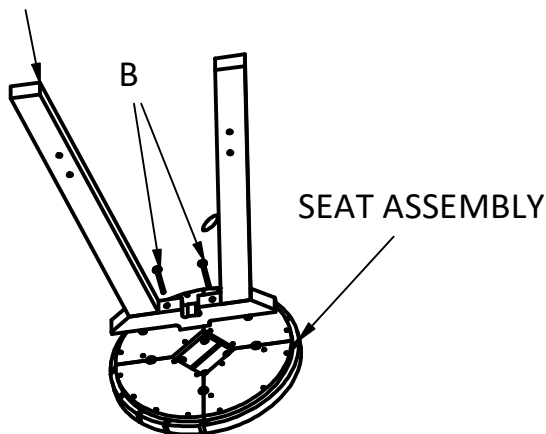


5/32" HEX KEY

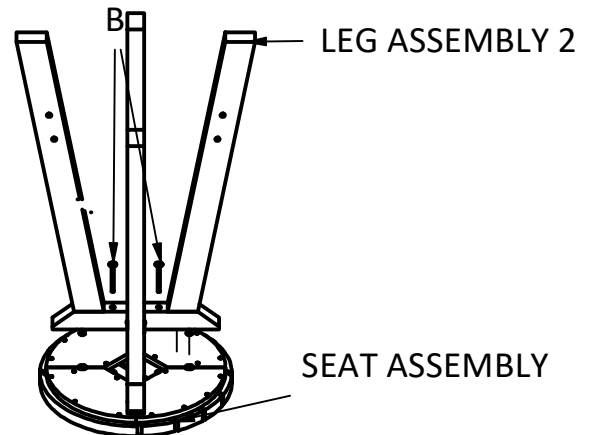
IMPORTANT!

DO NOT fully tighten bolts until all bolts are started.

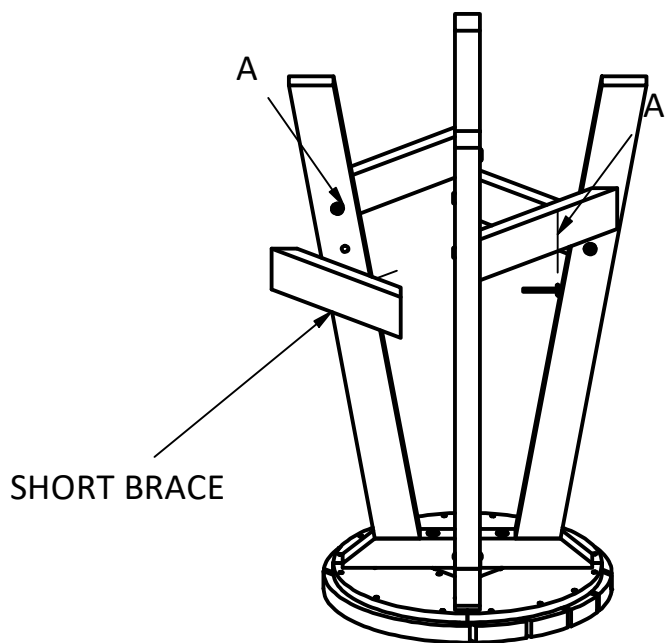
LEG ASSEMBLY 1



1) Attach the Leg Assembly 1 to the seat assembly as shown with (2) B Bolts.

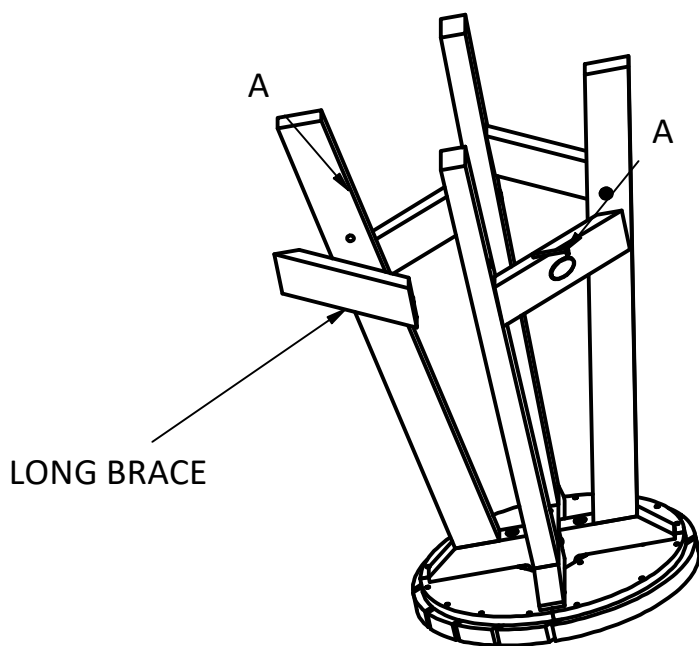


2) Attach the Leg Assembly 2 to the seat assembly as shown with (2) B Bolts.



3) Attach the Short Brace as Shown using (2) A Bolts.

4) Repeat this step on the other side.



4) Attach the Long Brace as Shown using (2) A Bolts.

5) Repeat this step on the other side.