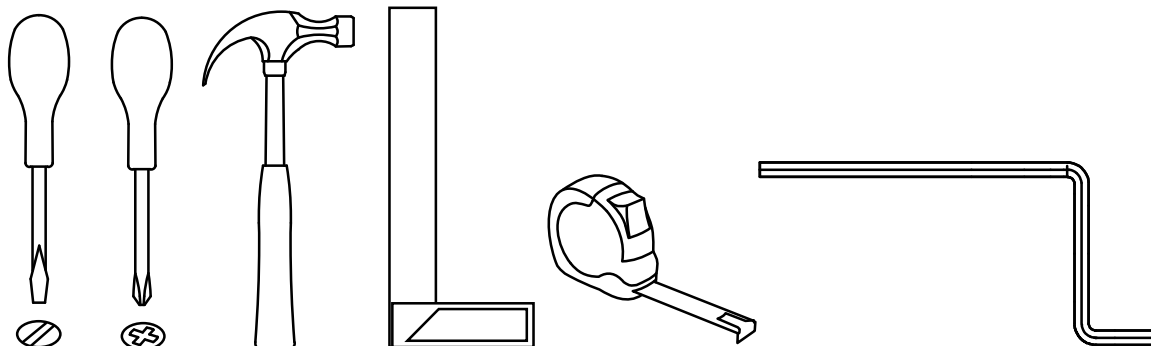


Tools needed to assemble the furniture: - Outils nécessaires pour assembler les meubles:

Werkzeuge, die für die Montage der Möbel benötigt werden: - Herramientas necesarias para armar el mueble:

Ferramentas necessárias para montar o móvel: - Strumenti necessari per assemblare il mobile:



The assembly must be done by two people.

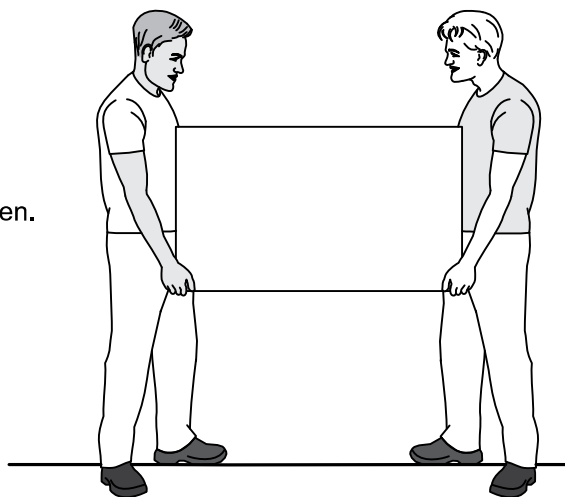
L'assemblage doit être effectué par deux personnes.

Es wird empfohlen, dass zwei Personen den Artikel montieren.

El montaje debe ser efectuado por dos personas.

A montagem deve ser efetuada por duas pessoas.

Il montaggio deve essere effettuato da due persone.



This product contains small parts, please, keep out of reach of children.

Ce produit contient de petites pièces, s'il vous plaît, à conserver hors de portée des enfants.

Bitte halten Sie kleine Teile außerhalb der Reichweite von Kindern.

Este producto contiene piezas pequeñas, mantener fuera del alcance de los niños.

Este produto contém peças pequenas, por favor, mantenha fora do alcance das crianças.

Questo prodotto contiene piccole parti, si prega di tenerle fuori dalla portata dei bambini.



In case of doubt, compare the hardware with the full-size images below.

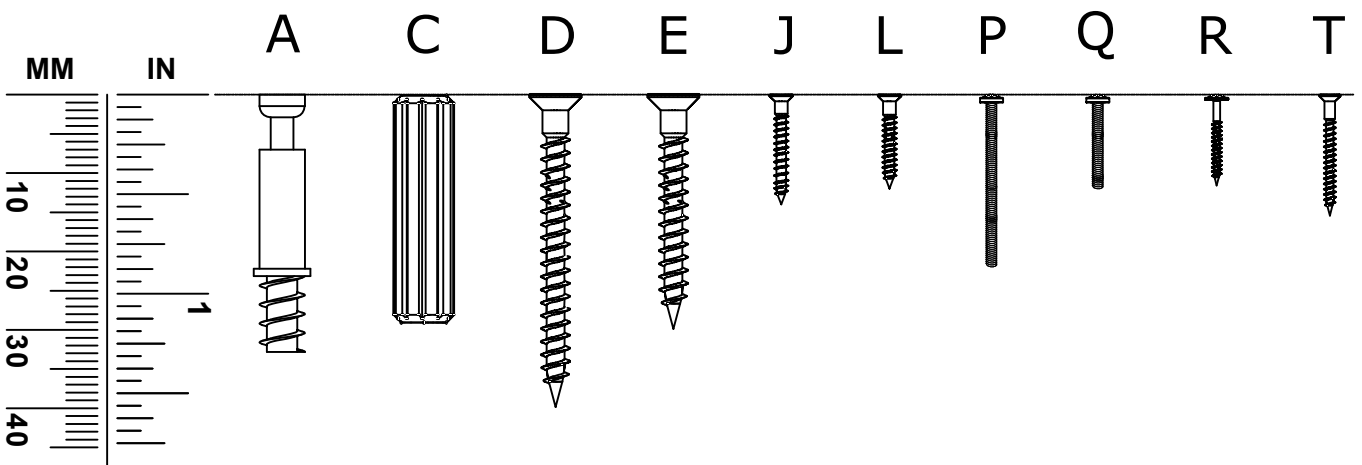
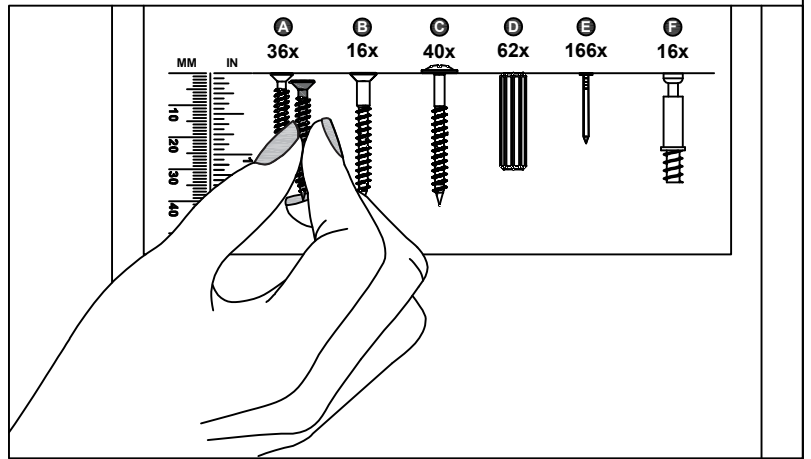
En cas de doute, veuillez comparer le matériel avec les images en taille réelle ci-dessous.

Vergleichen Sie im Zweifelsfall die Schrauben mit den Abbildungen in Originalgröße.

En caso de dudas, compare las herrajes con las imágenes a seguir en tamaño real.

Em caso de dúvida, compare as ferragens com as imagens abaixo em tamanho real.

In caso di dubbio, confronta le ferramenta con le immagini sottostanti a grandezza reale.



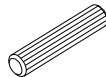
A x 32



B x 32



C x 30



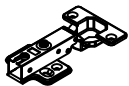
D x 12



E x 12



F x 10



G x 2



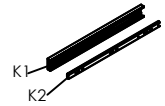
H x 1



J x 64



K x 2



L x 16



M x 2



N x 4



P x 6



Q x 4



R x 36



S x 4

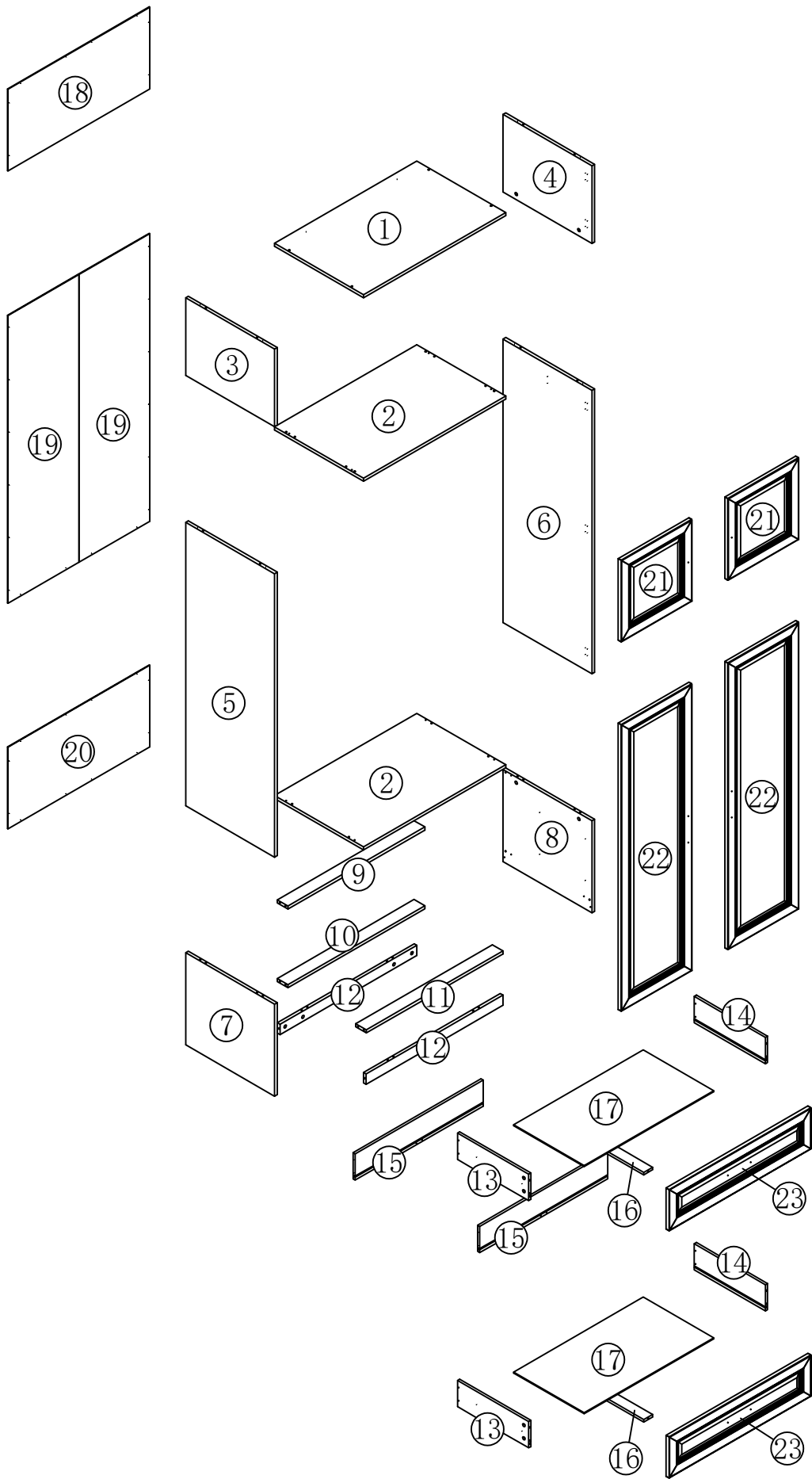


T x 4



U x 2





ATTENTION - AVERTISSEMENT - ACHTUNG - ATENCIÓN - ATENÇÃO - ATTENZIONE

Assemble the furniture on a clean and flat surface and cover it with the cardboard of the packaging.

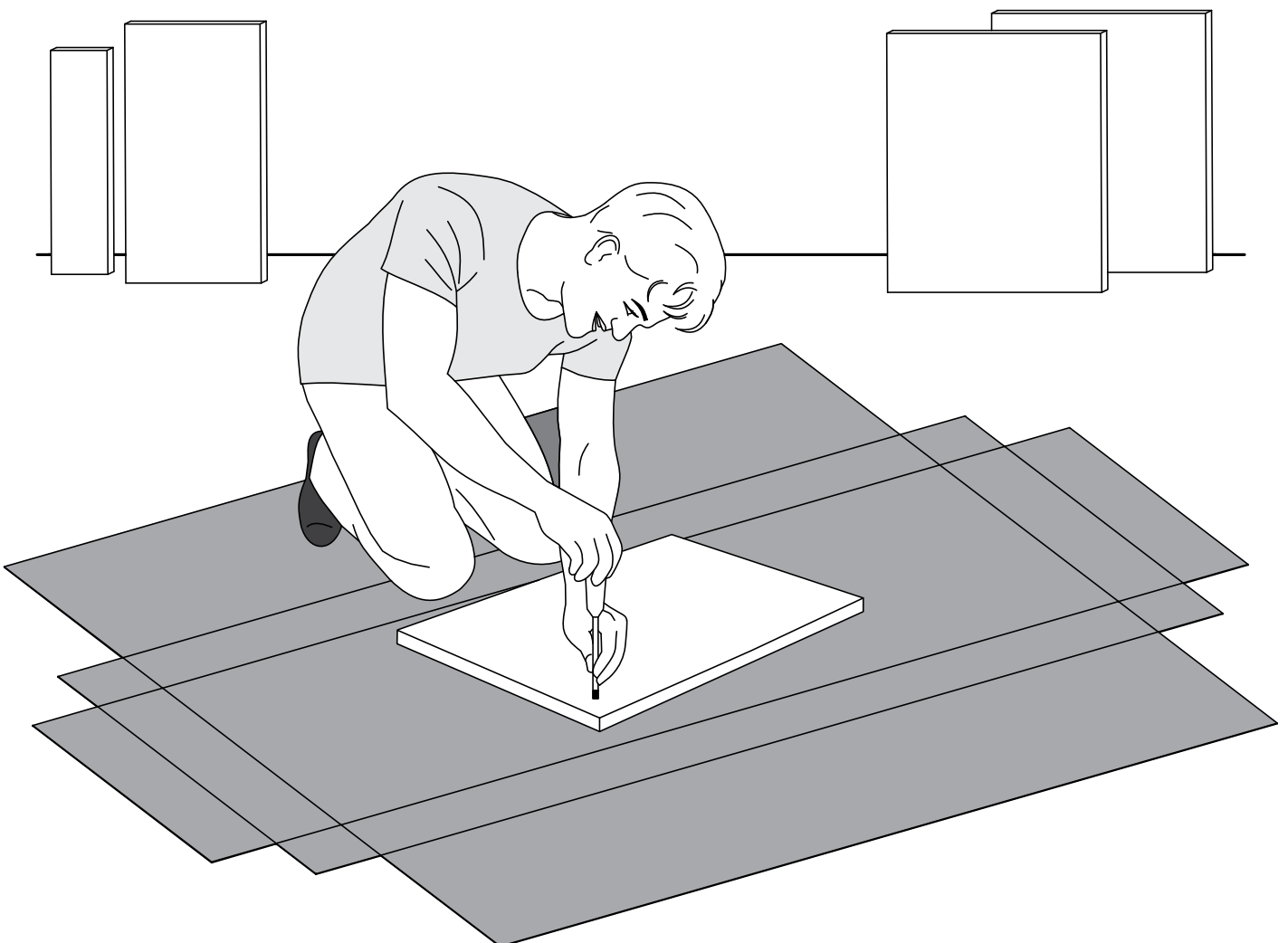
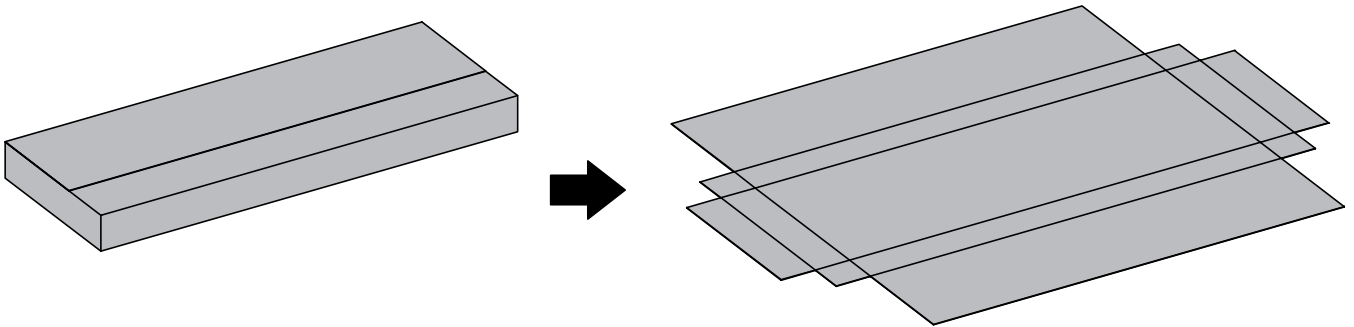
Assemblez le meuble sur une surface propre et plane et couvrez-le avec le carton de l'emballage du produit.

Um Beschädigungen zu vermeiden, montieren Sie den Artikel auf einer weichen, sauberen Unterlage.
Tipp: Legen Sie den Artikel auf dem Verpackungskarton.

Montar el mueble sobre una superficie limpia y plana y cubrirlo con el cartón del embalaje del producto.

Montar o móvel sobre uma superfície limpa e plana e forrá-la com o papelão da embalagem do produto.

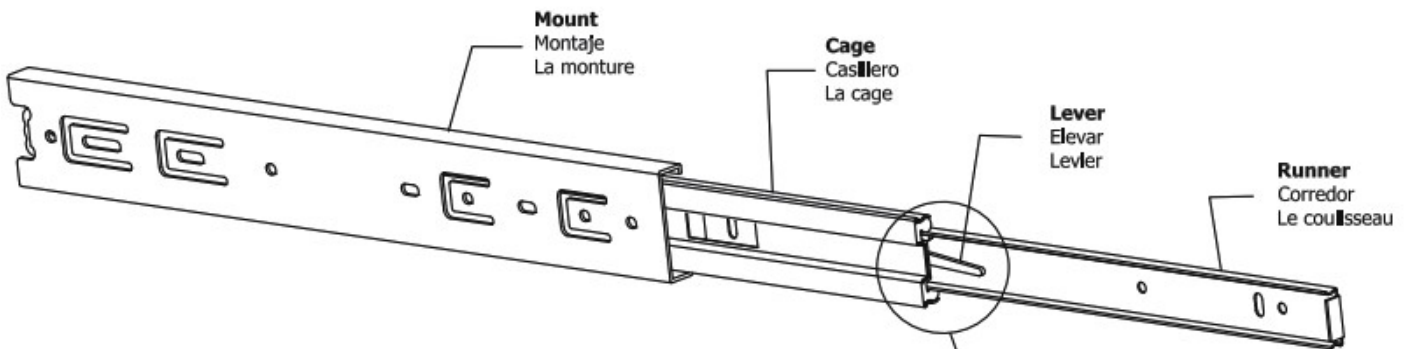
Montare il mobile su una superficie pulita e piana e rivestirla con il cartone d'imballaggio del prodotto.



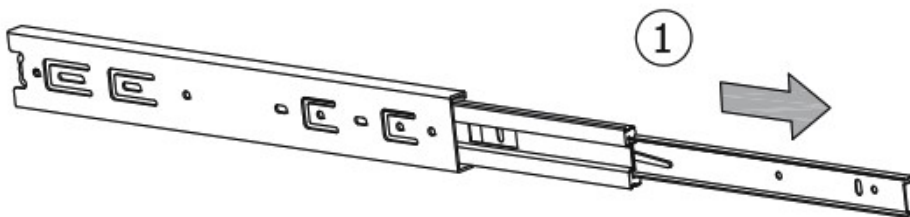
**Slides Must Be Separated Before Assembly.
After Separated, Set Aside Until Needed for Assembly.**

Las diapositivas deben separarse antes del montaje.
Después de la separación, déjelo a un lado hasta que sea necesario.

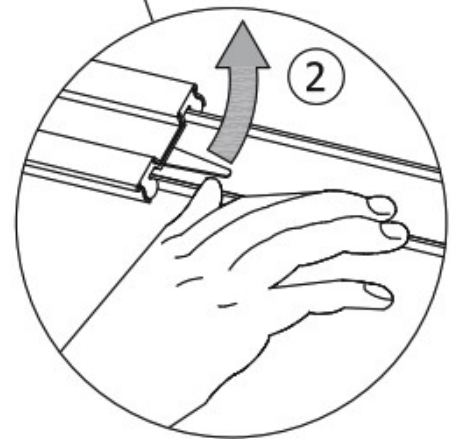
Les glissières doivent être séparées avant l'assemblage.
Après la séparation, mettez de côté jusqu'au moment de l'assemblage.



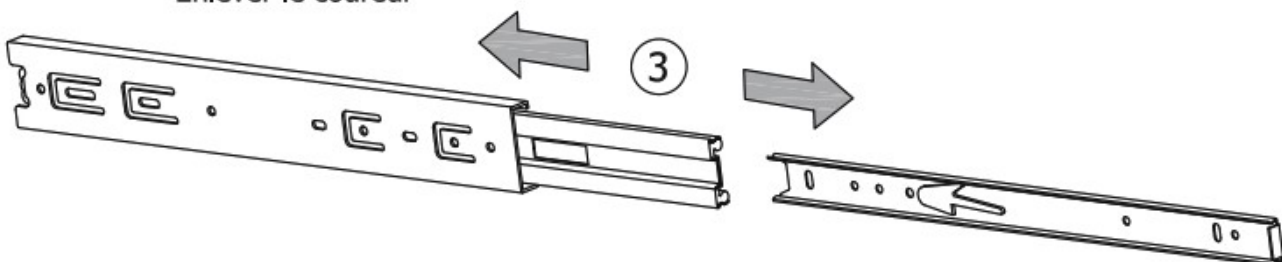
STEP 1: Extend Slide
Extender la diapositiva
Extendre la diapositive



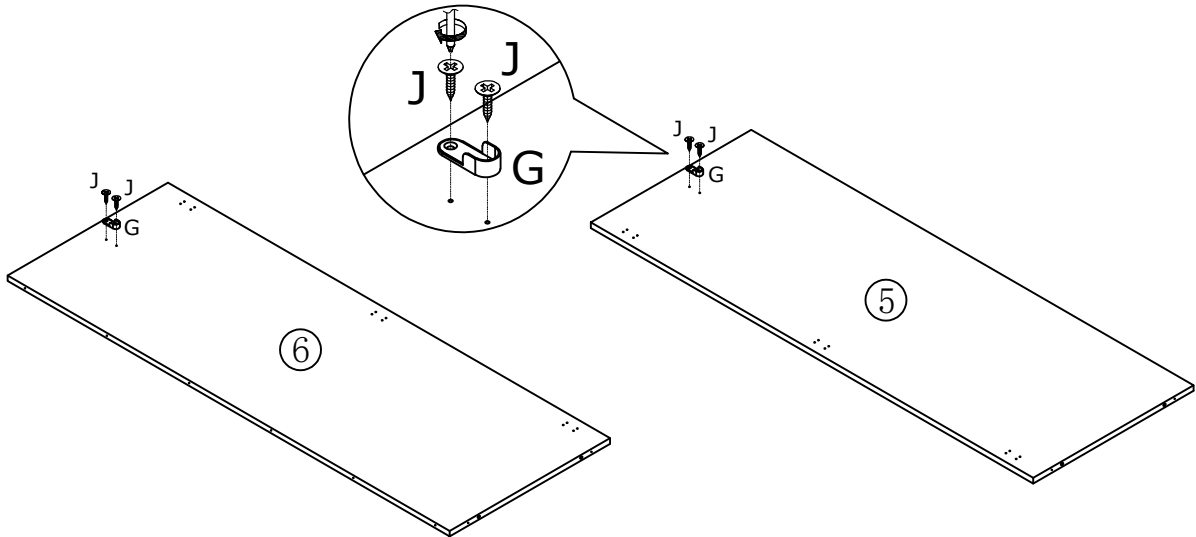
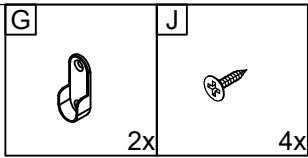
STEP 2: Push Lever UP
Empujar hacia arriba
Lever le levier



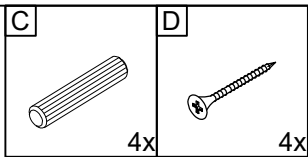
STEP 3: Remove Runner
Quitar el corredor
Enlever le coureur



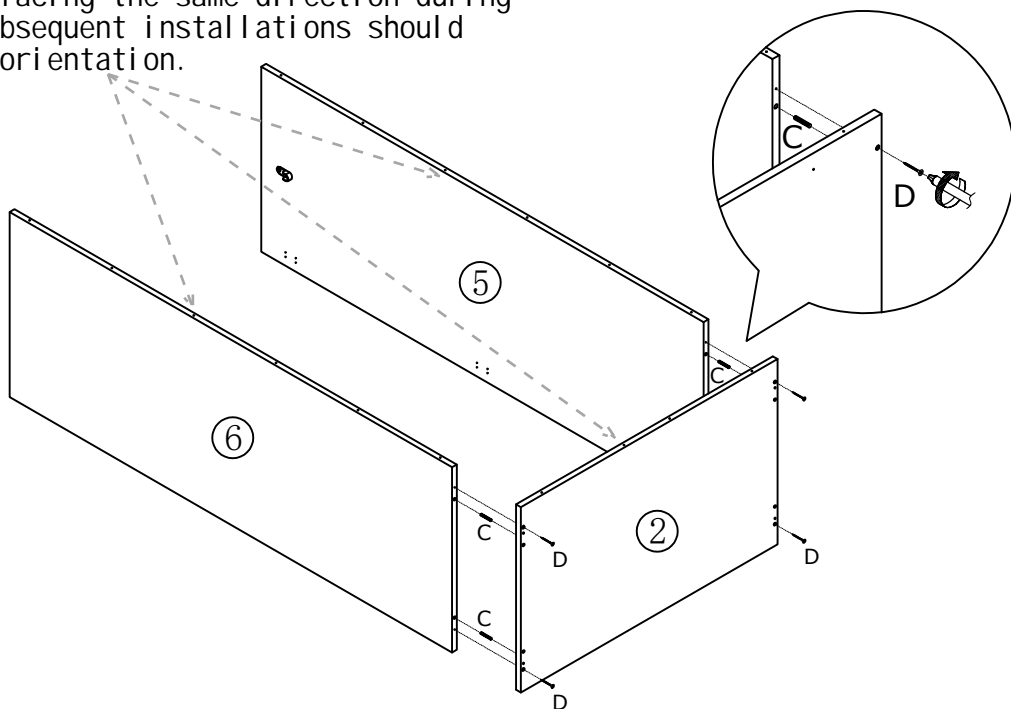
1



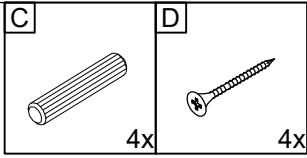
2



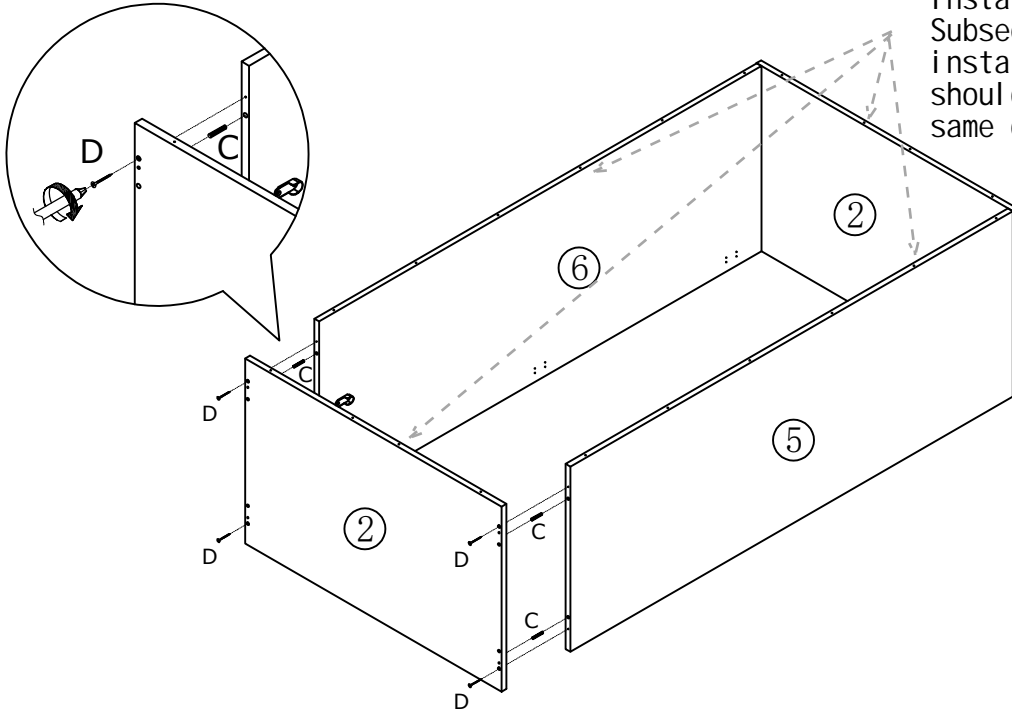
Please note:
This is the backplane mounting guide hole. Make sure to keep it facing the same direction during installation. Subsequent installations should follow the same orientation.



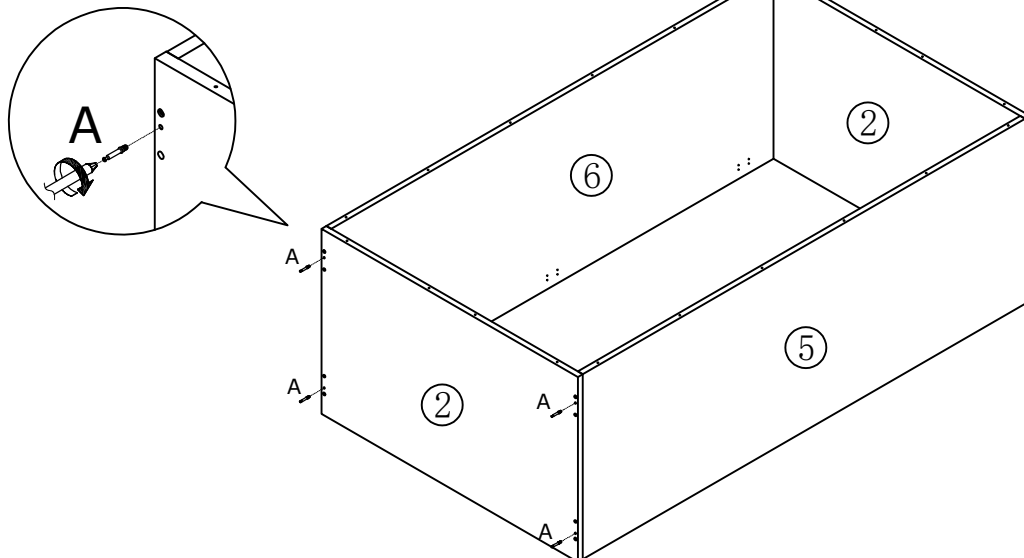
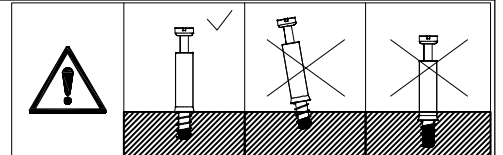
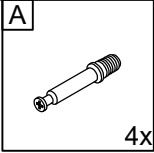
3



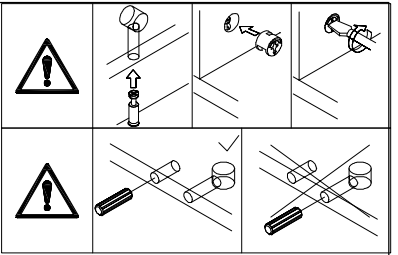
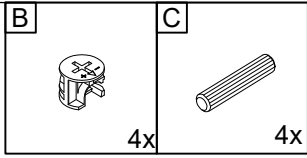
Please note:
This is the
backplane mounting
guide hole. Make
sure to keep it
facing the same
direction during
installation.
Subsequent
installations
should follow the
same orientation.



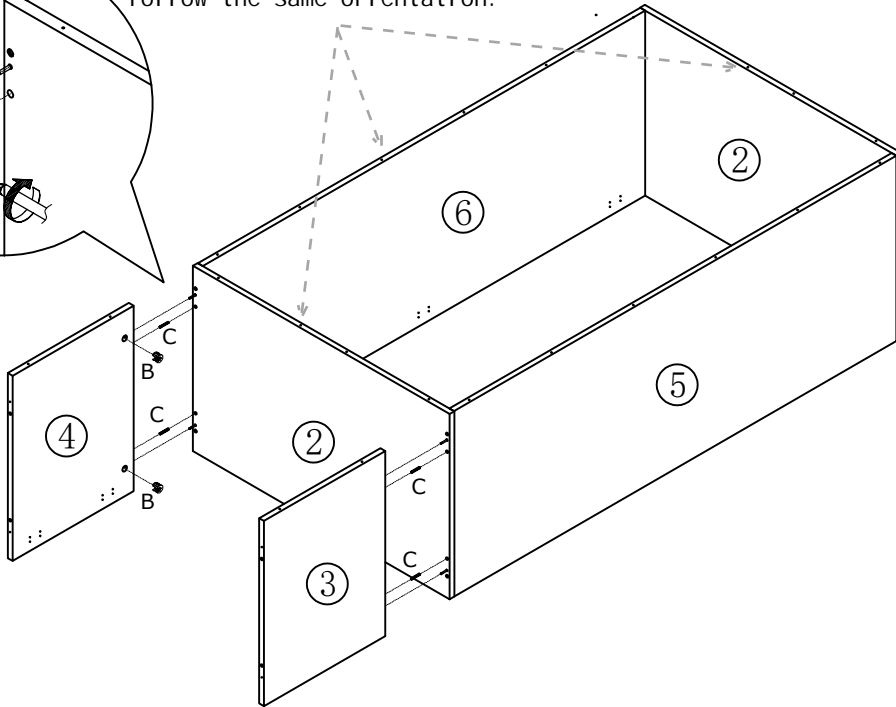
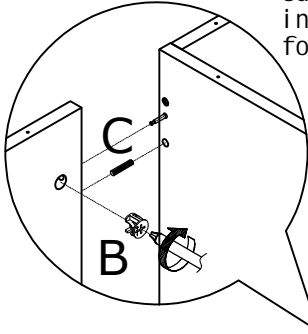
4



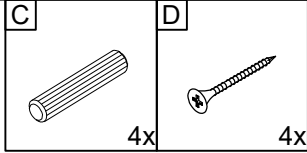
5



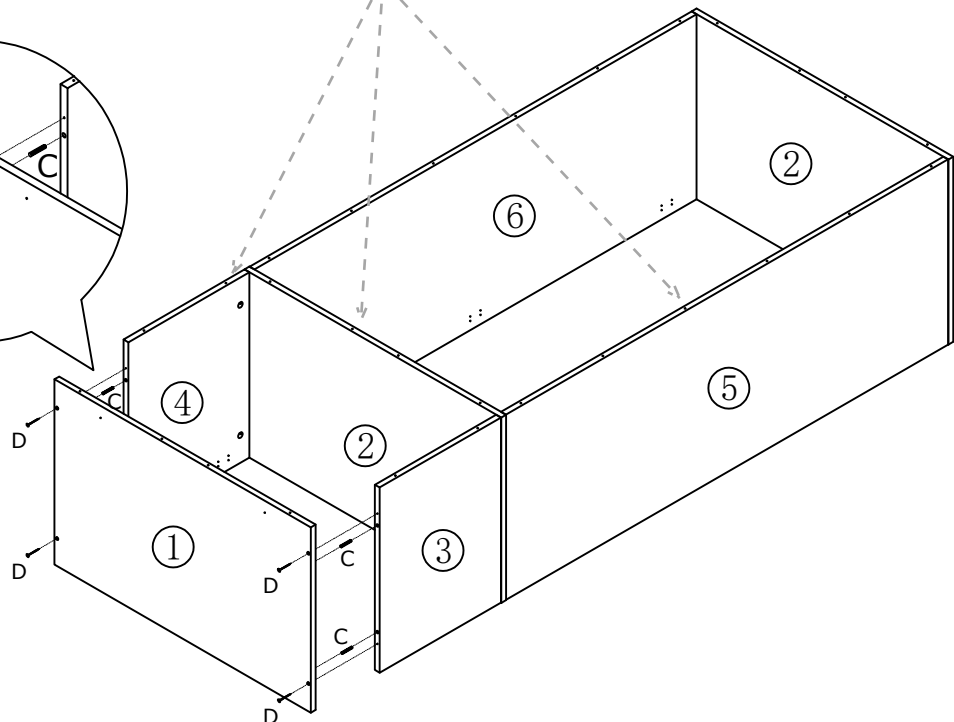
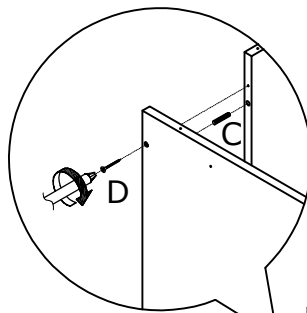
Please note:
This is the backplane mounting guide hole. Make sure to keep it facing the same direction during installation. Subsequent installations should follow the same orientation.



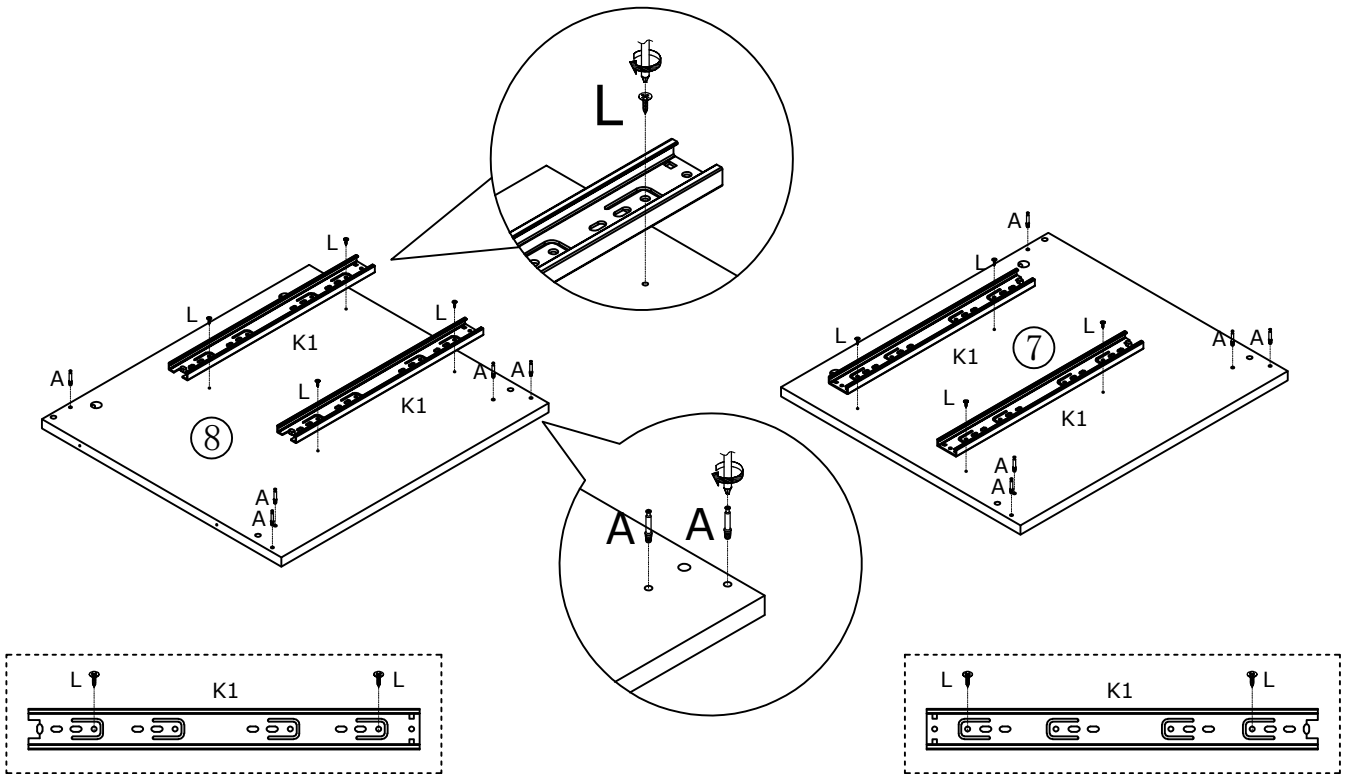
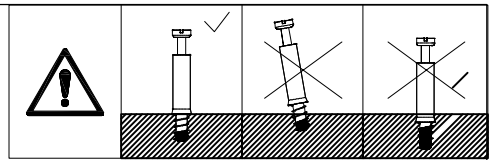
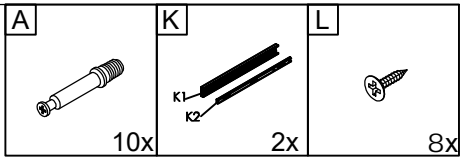
6



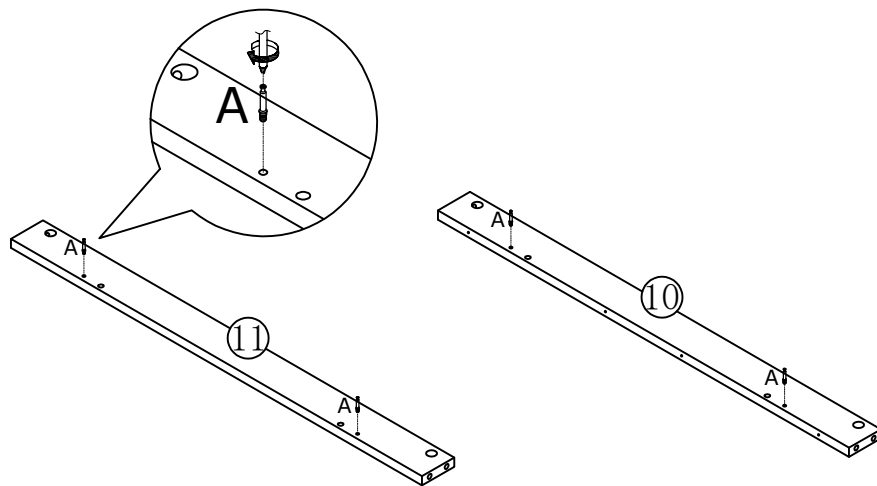
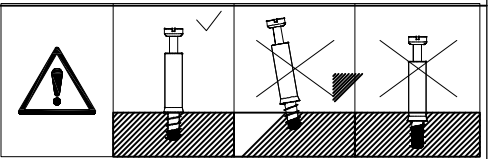
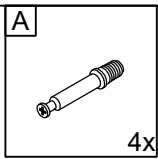
Please note:
This is the backplane mounting guide hole. Make sure to keep it facing the same direction during installation. Subsequent installations should follow the same orientation.



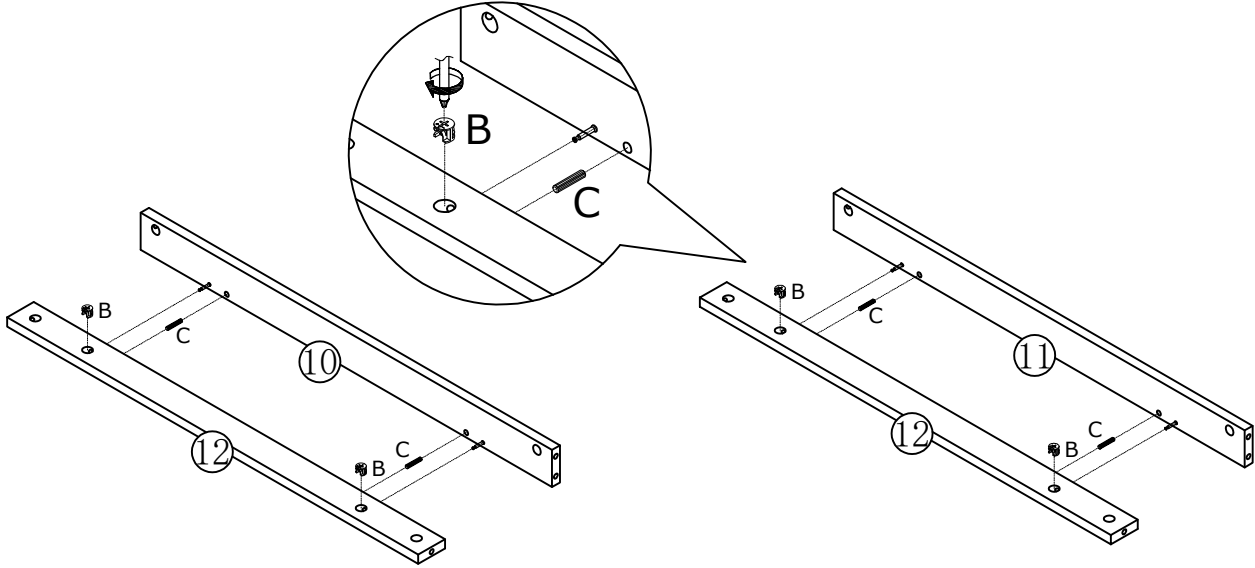
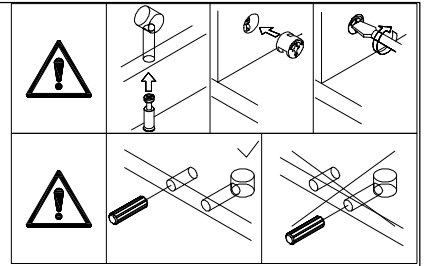
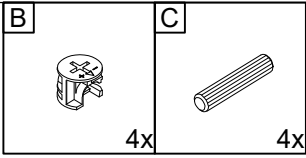
7



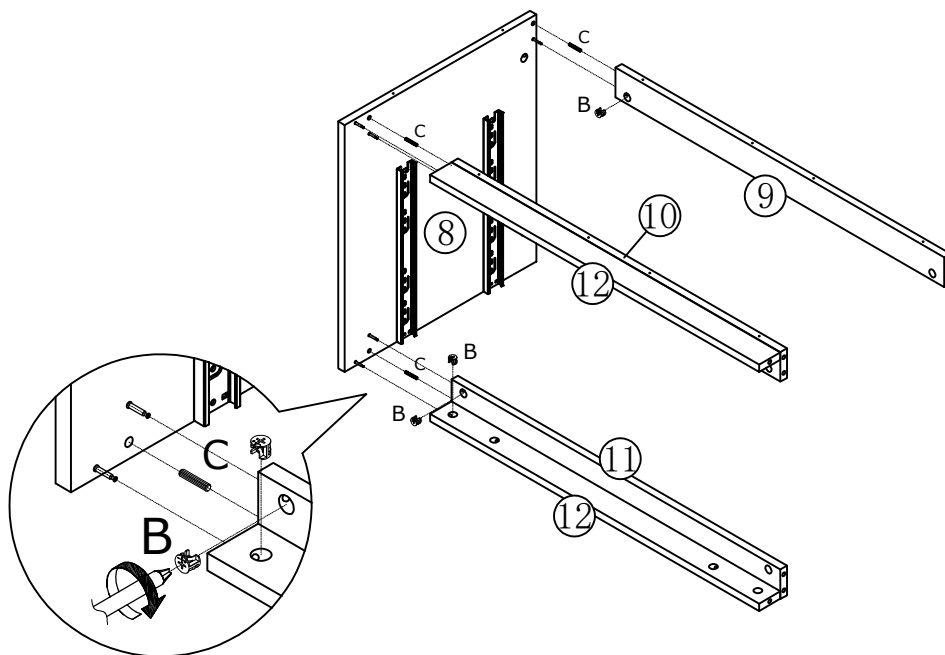
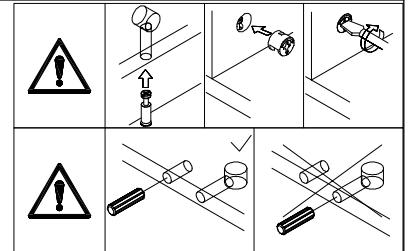
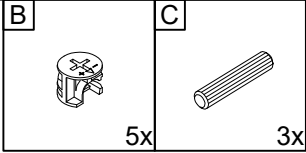
8



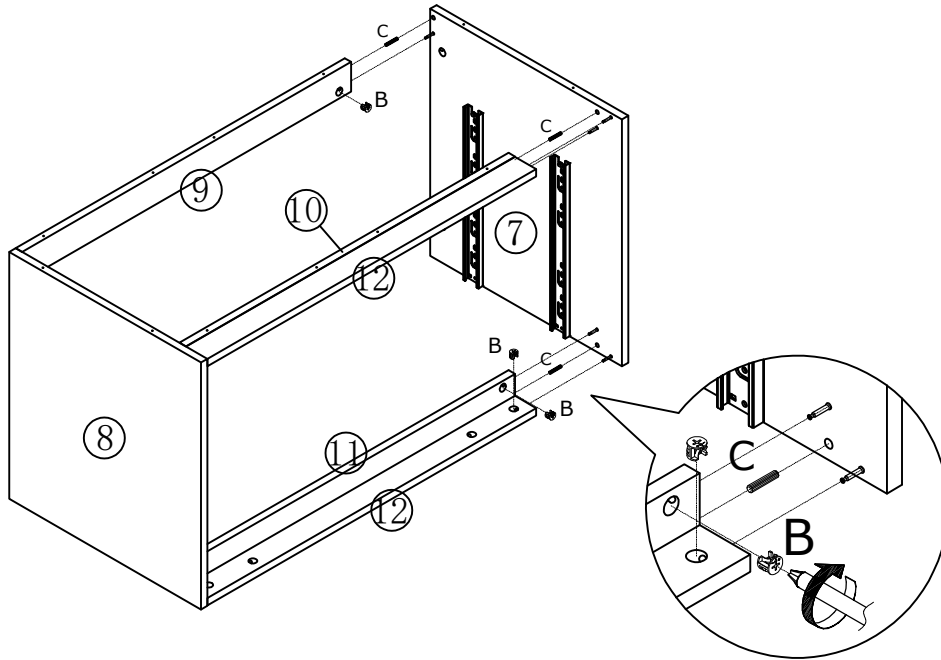
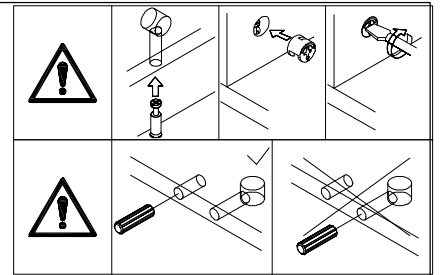
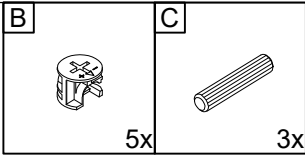
9



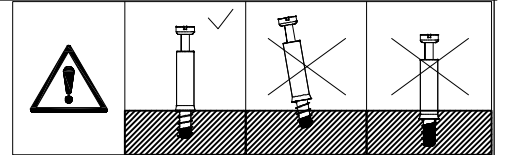
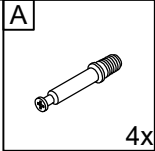
10



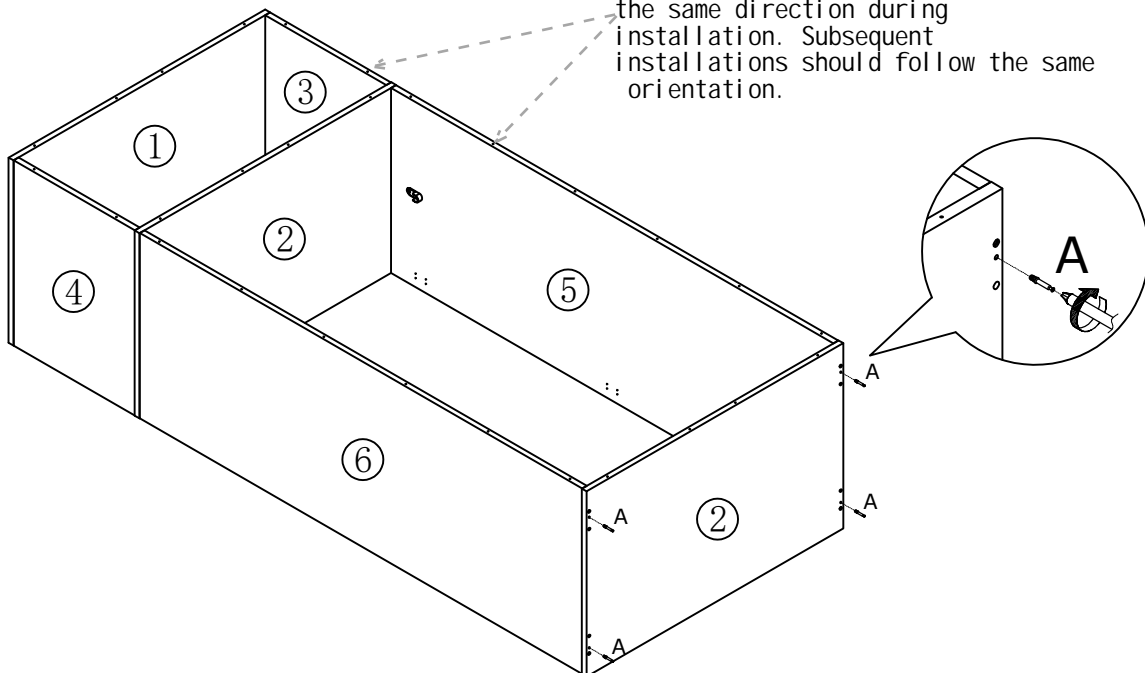
11



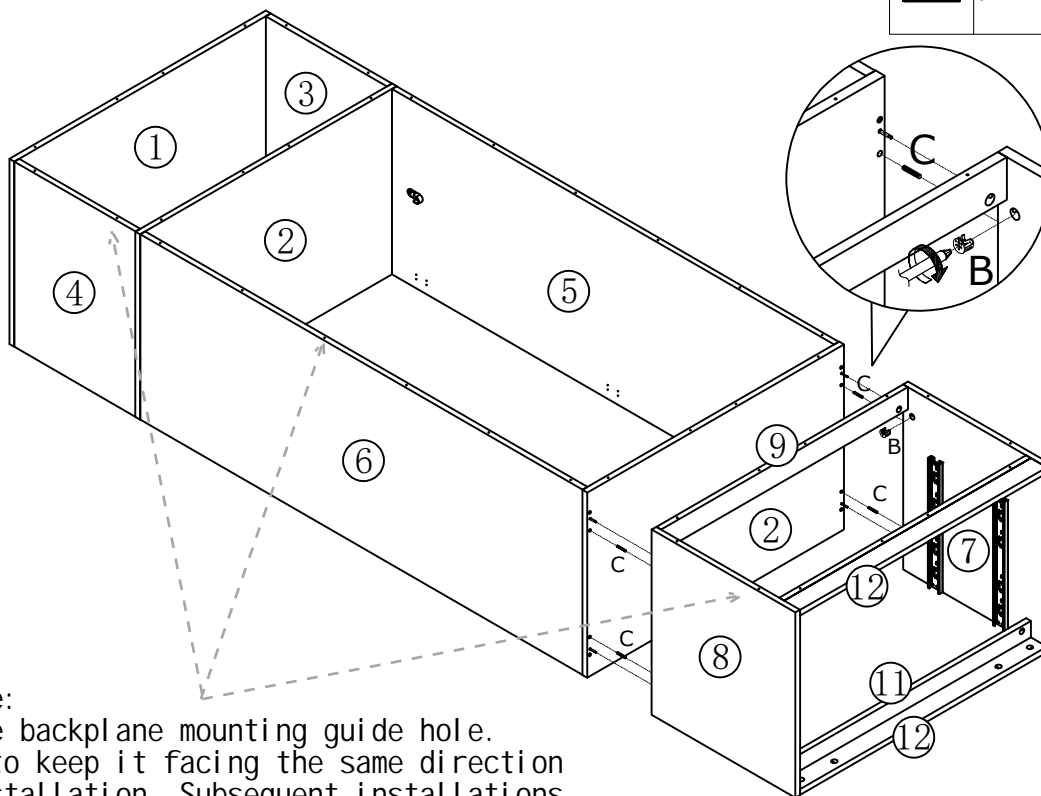
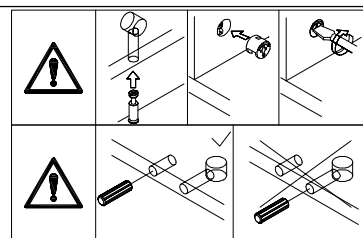
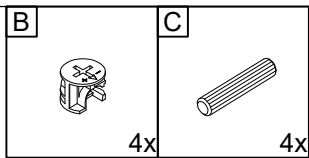
12



Please note:
This is the backplane mounting guide hole. Make sure to keep it facing the same direction during installation. Subsequent installations should follow the same orientation.

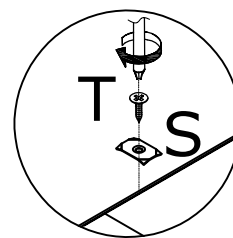
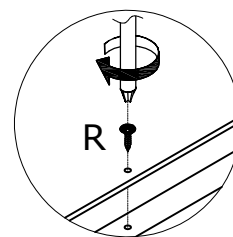
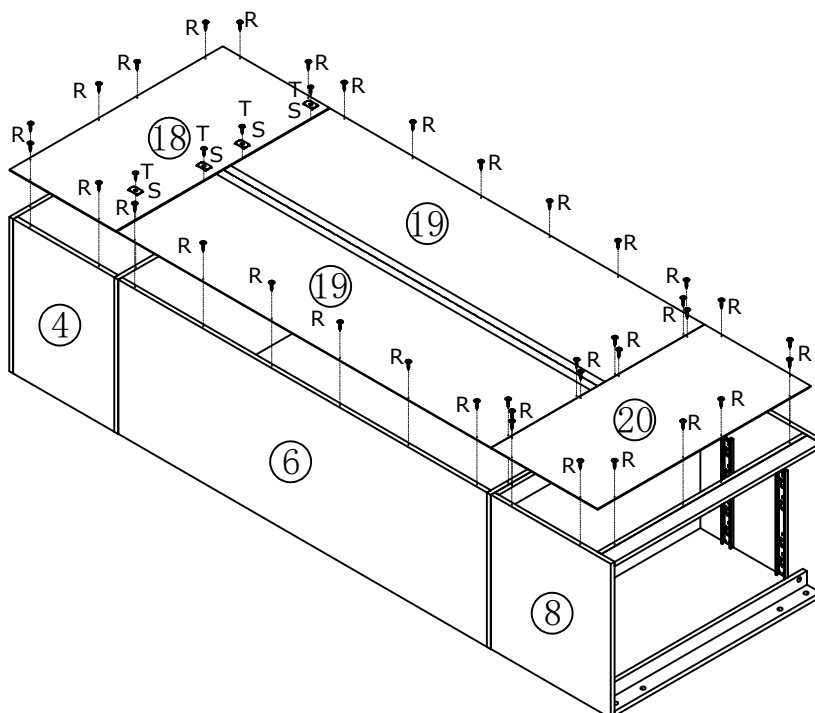
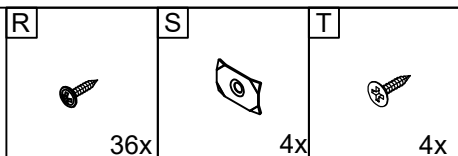


13

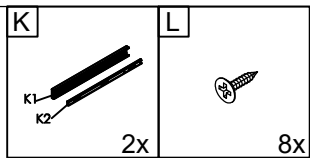


Please note:
This is the backplane mounting guide hole.
Make sure to keep it facing the same direction
during installation. Subsequent installations
should follow the same orientation.

14

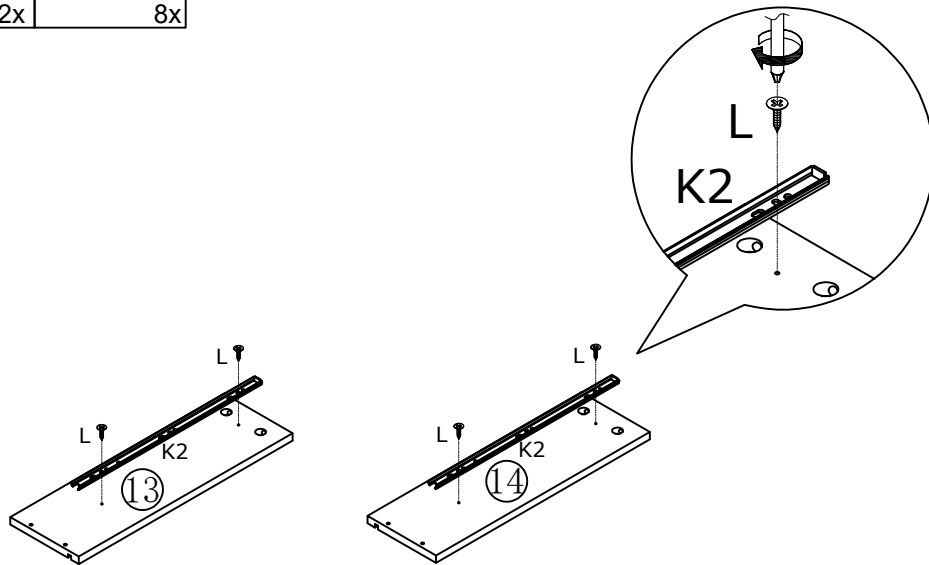


15

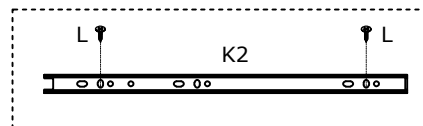


2x

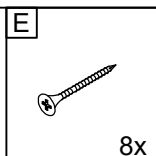
8x



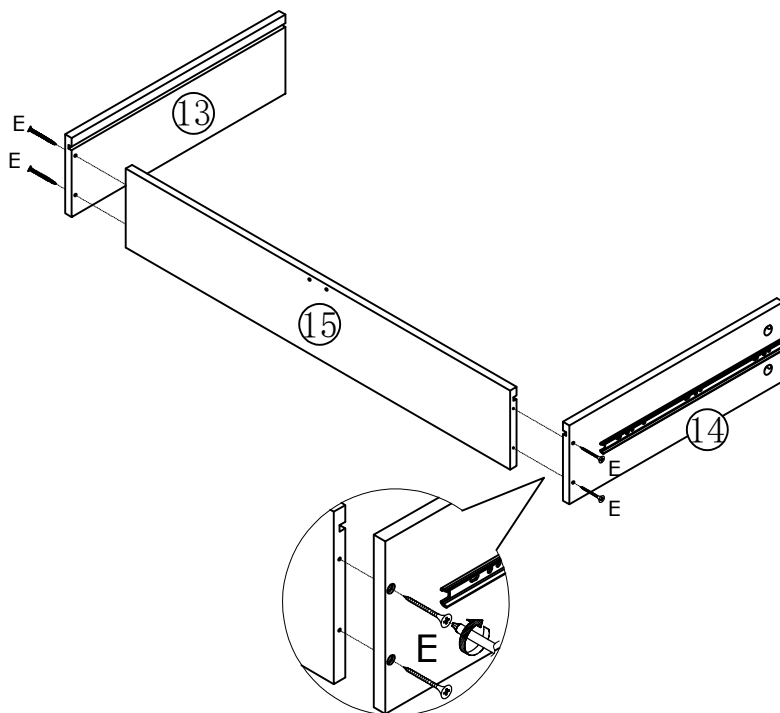
x2



16

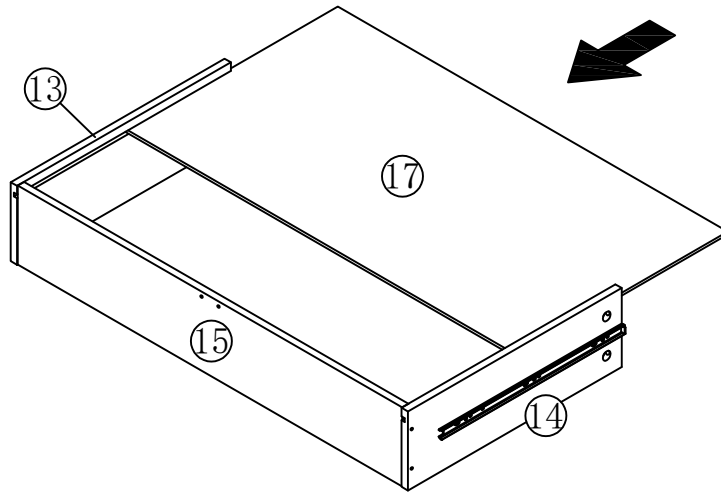


8x



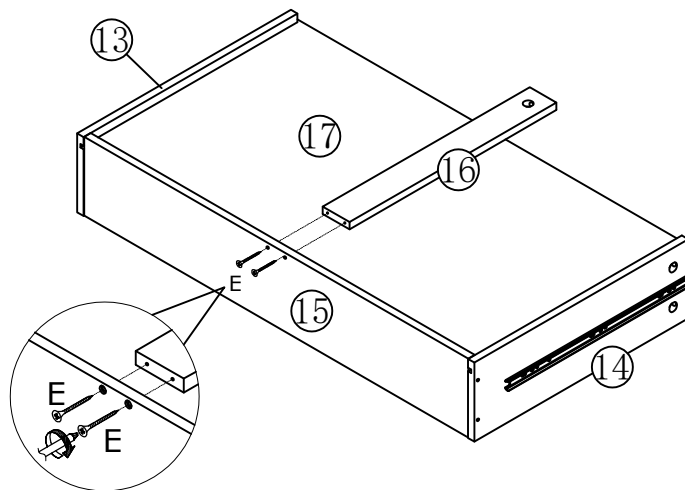
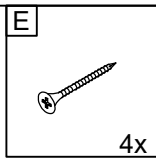
x2

17



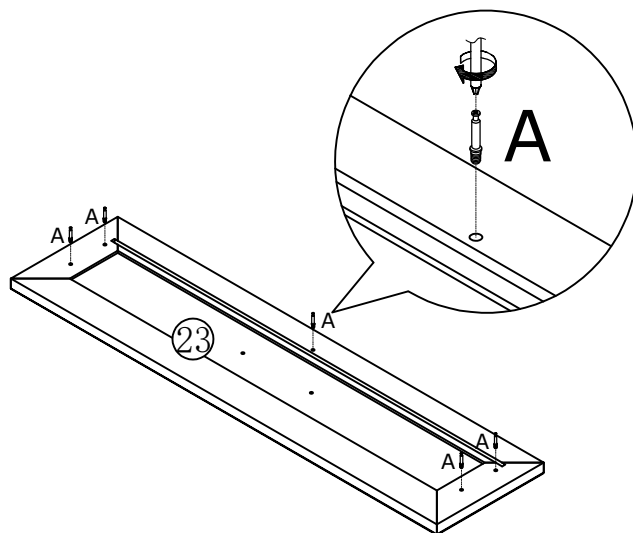
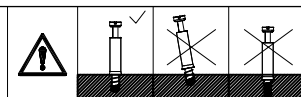
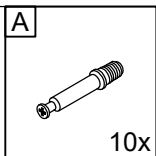
x2

18



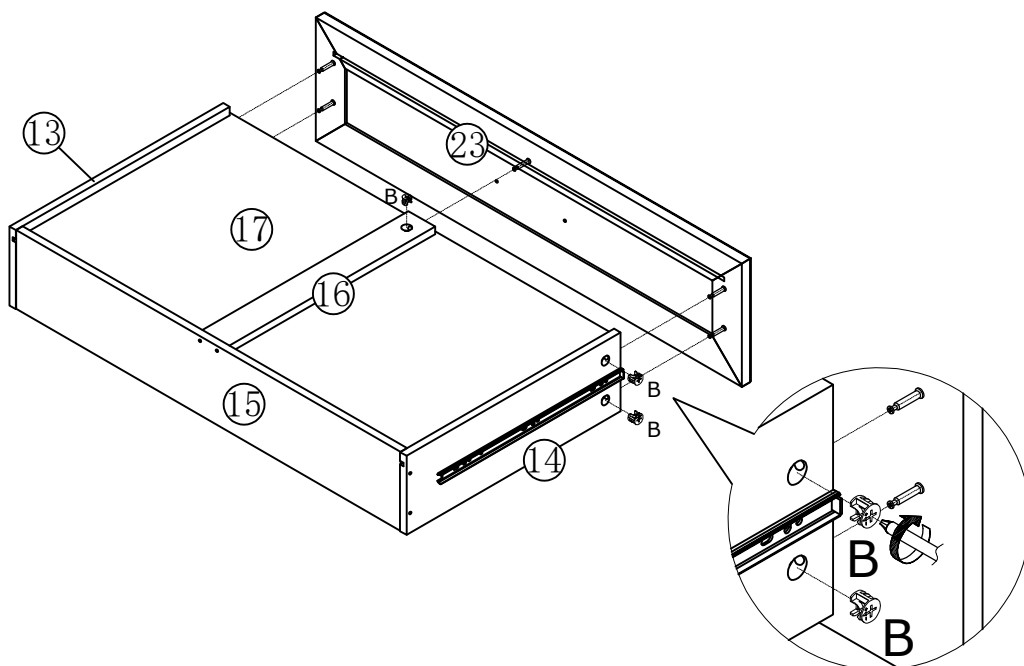
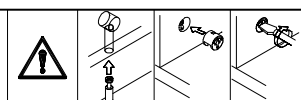
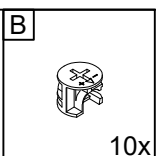
x2

19



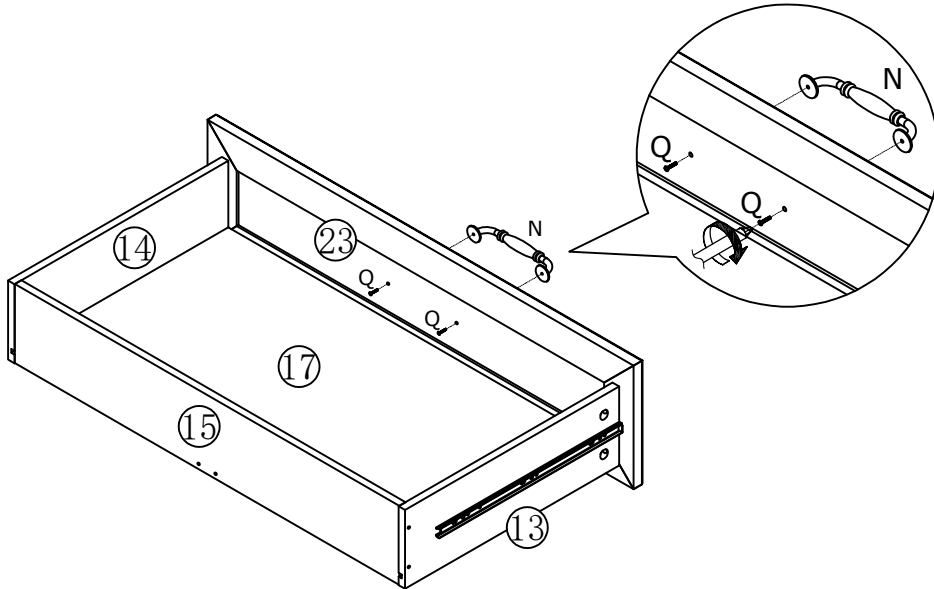
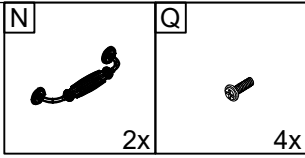
x2

20



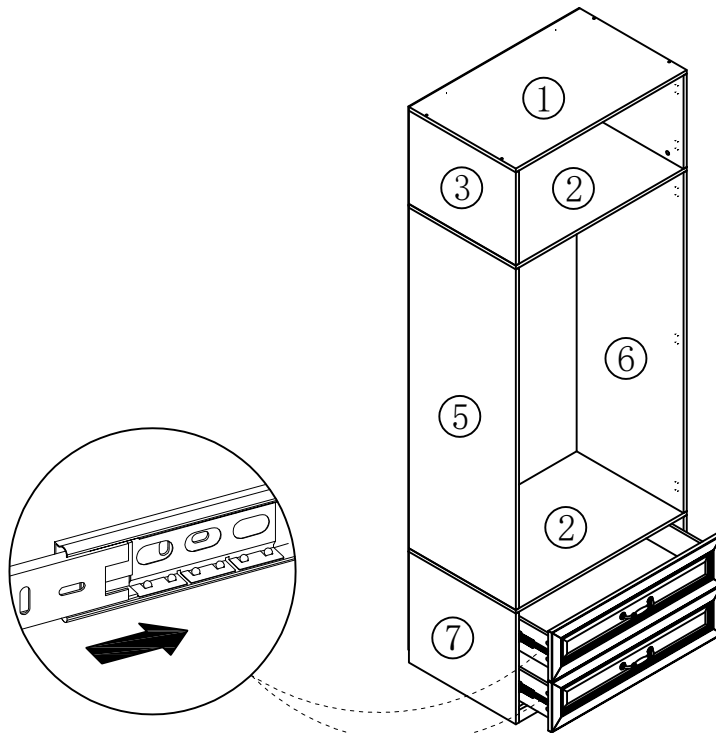
x2

21

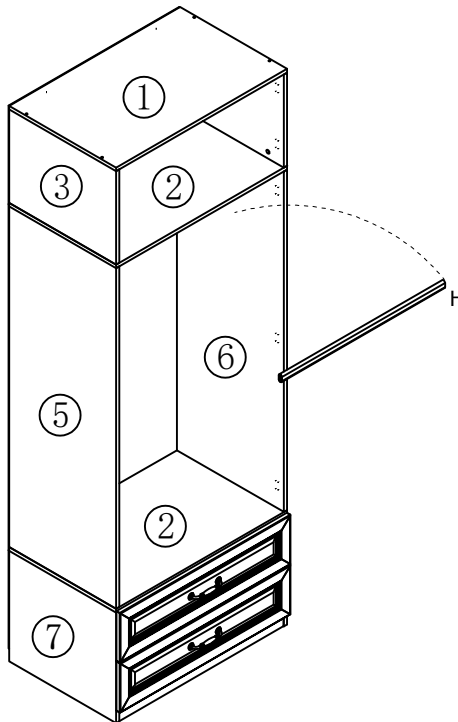
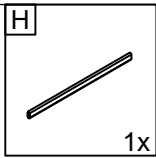


x2

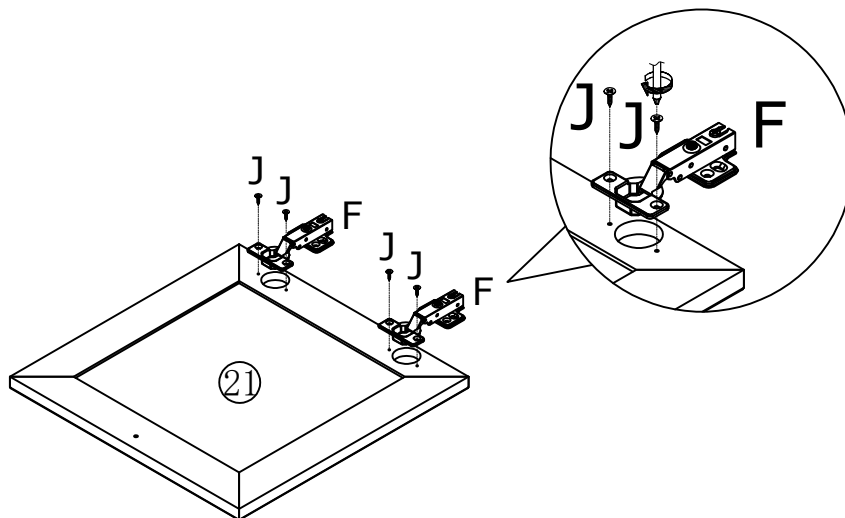
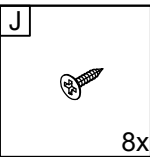
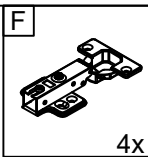
22



23

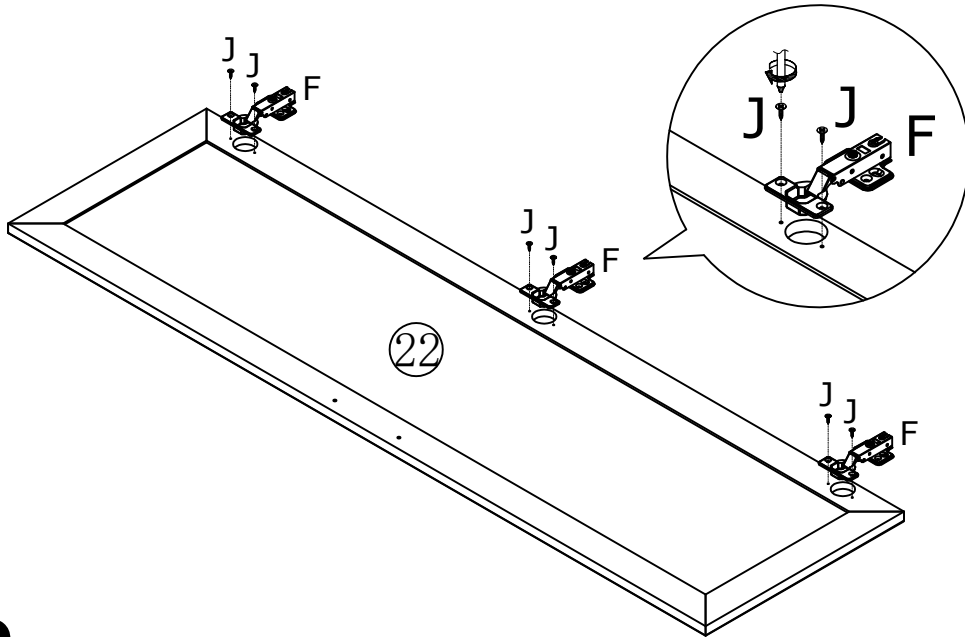
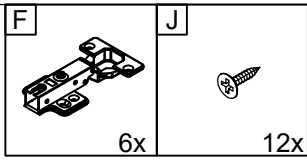


24



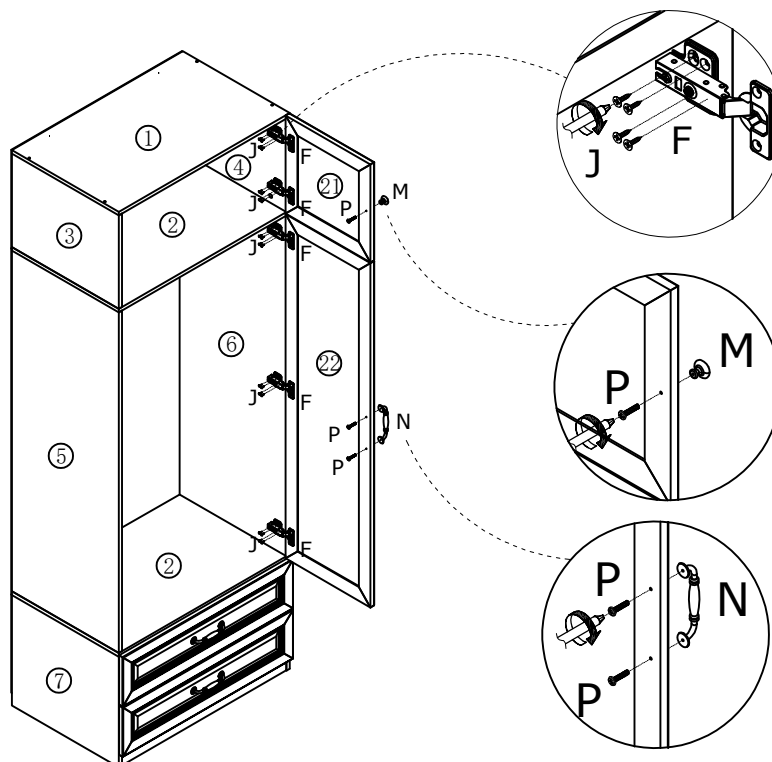
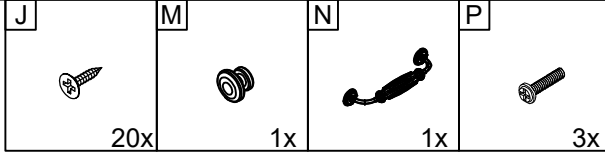
x2

25

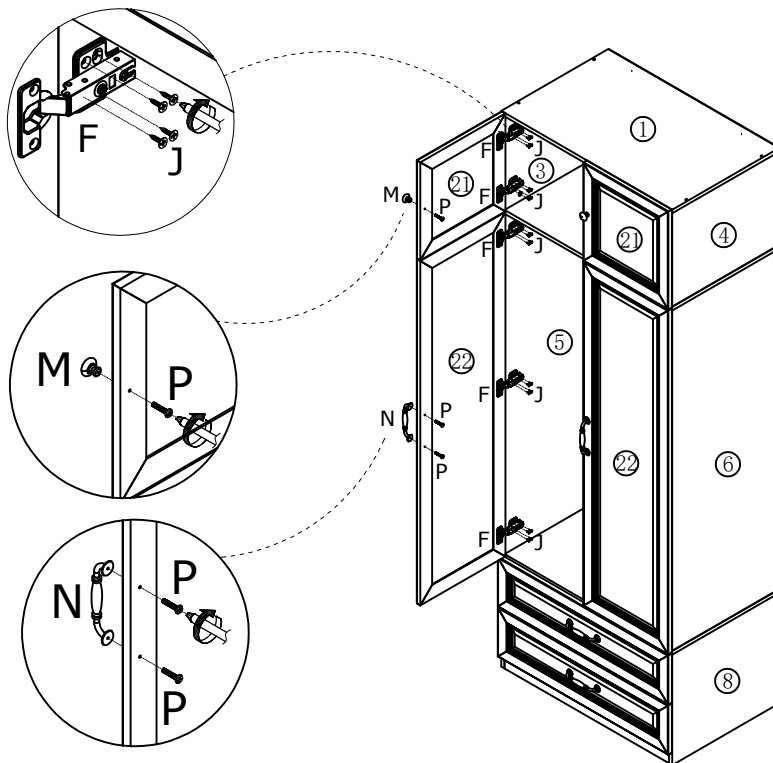
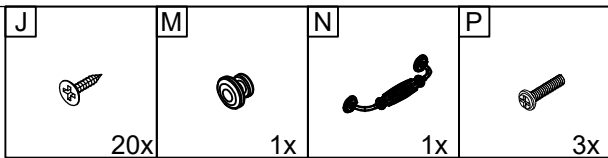


x2

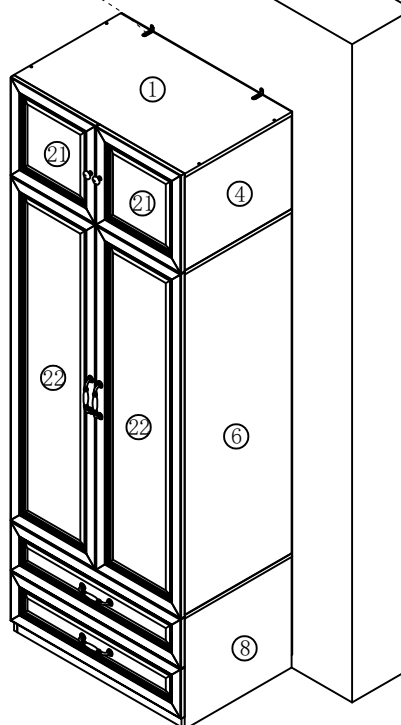
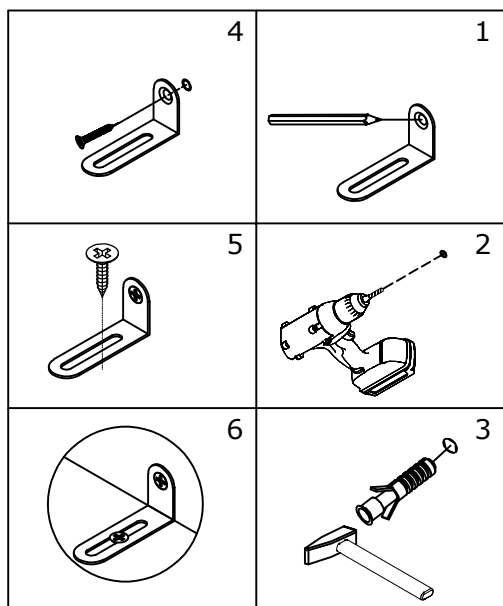
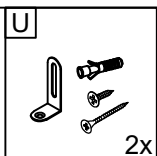
26



27

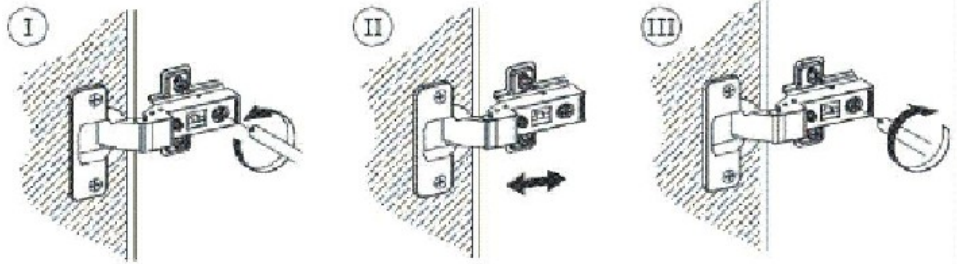
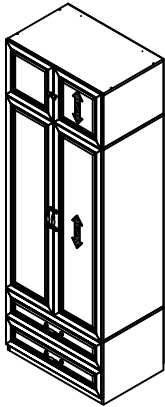


28

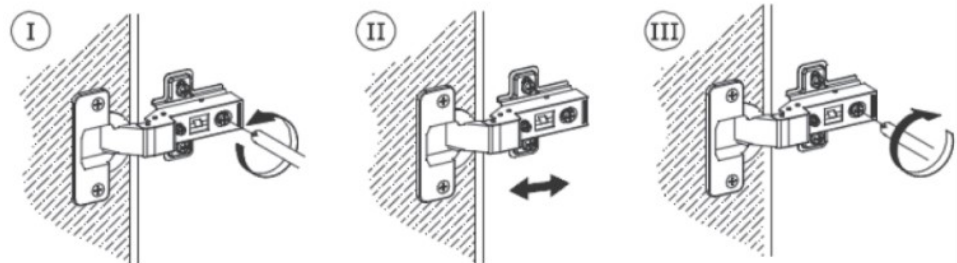
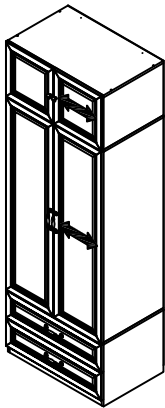


Adjust & Align Door Hinges

Up & Down Adjustment



Left & Right Adjustment



Forward & Back Adjustment

