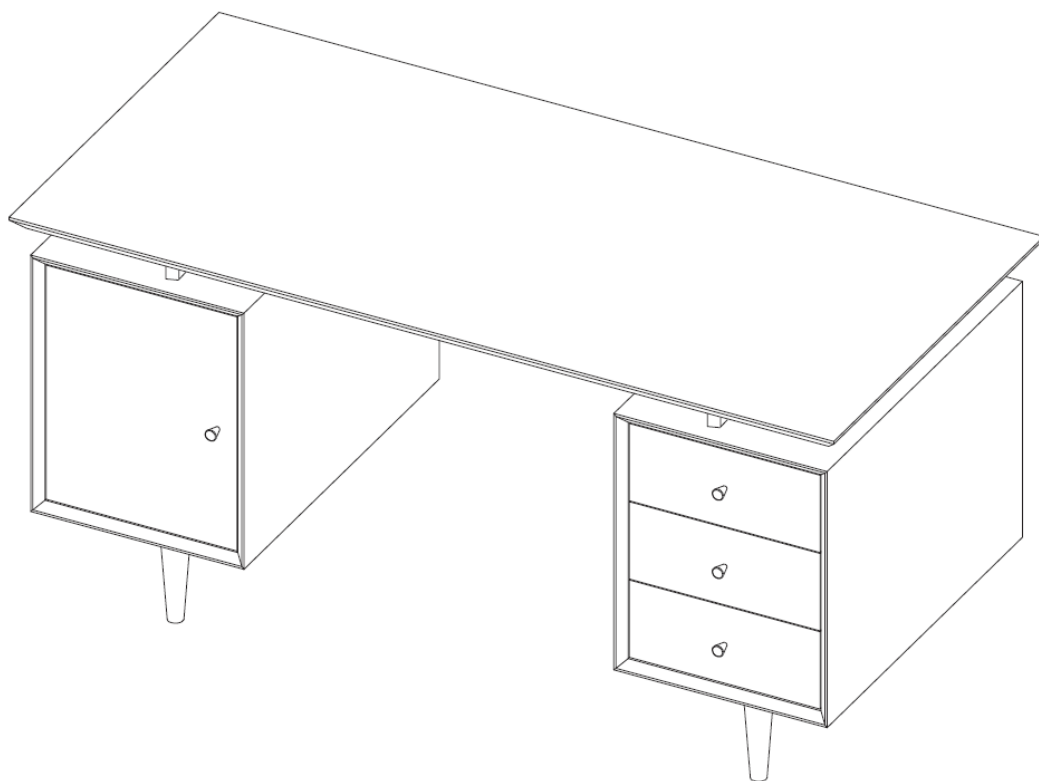


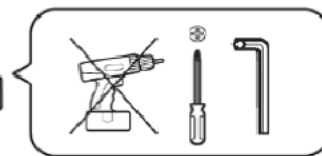
USE MANUAL-ASSEMBLY INSTRUCTION

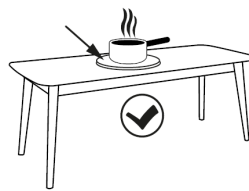
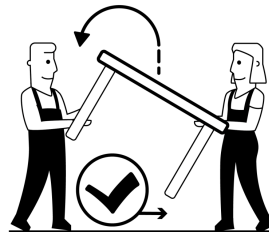
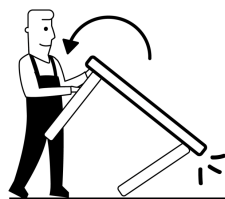
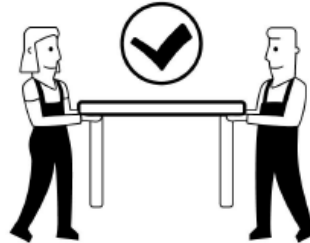
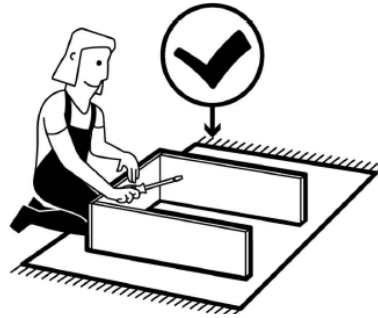
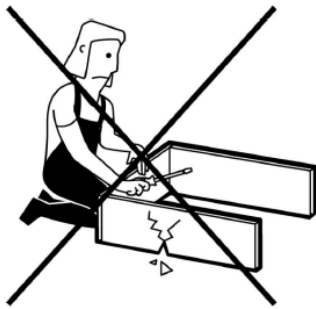


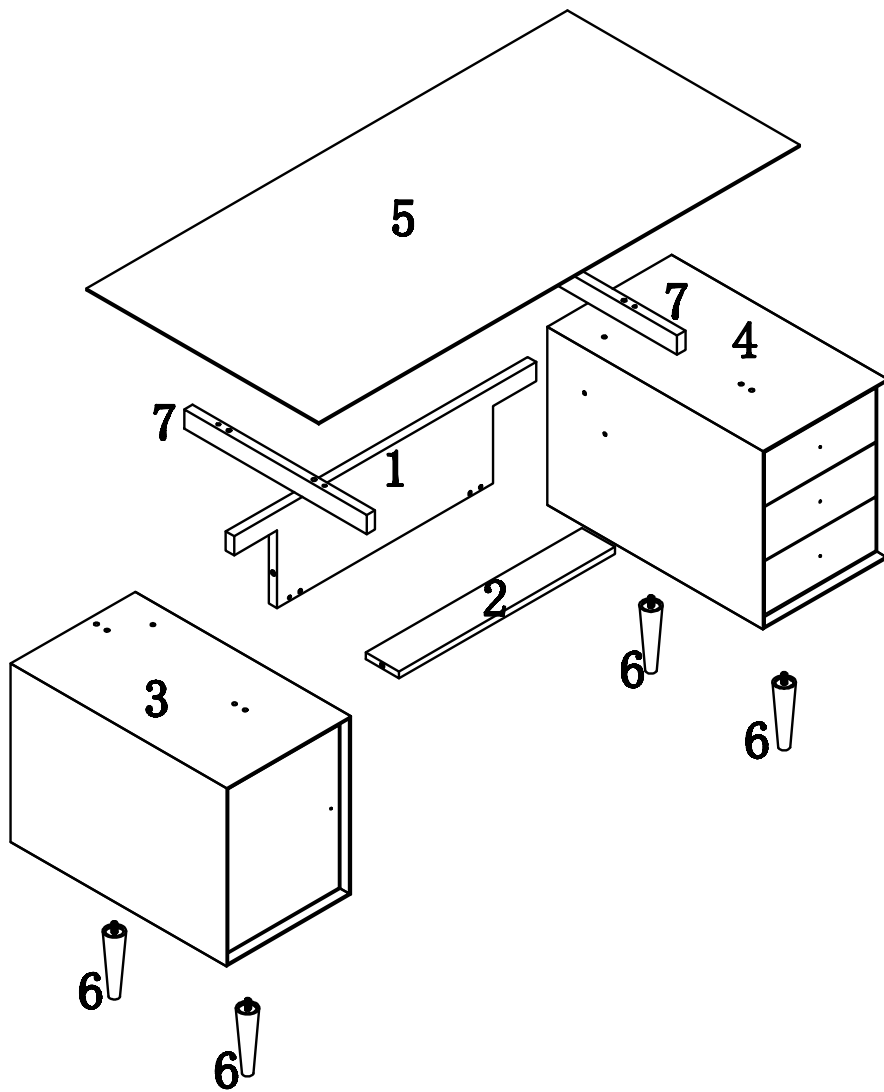
MOYEN - MEDIUM
MITTEL - MEDIO



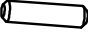





2

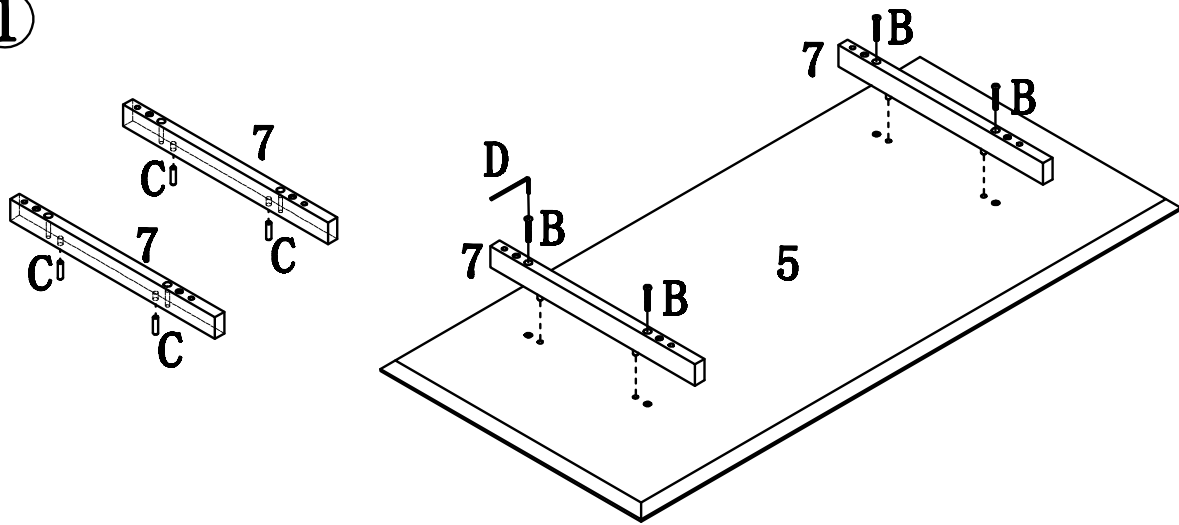









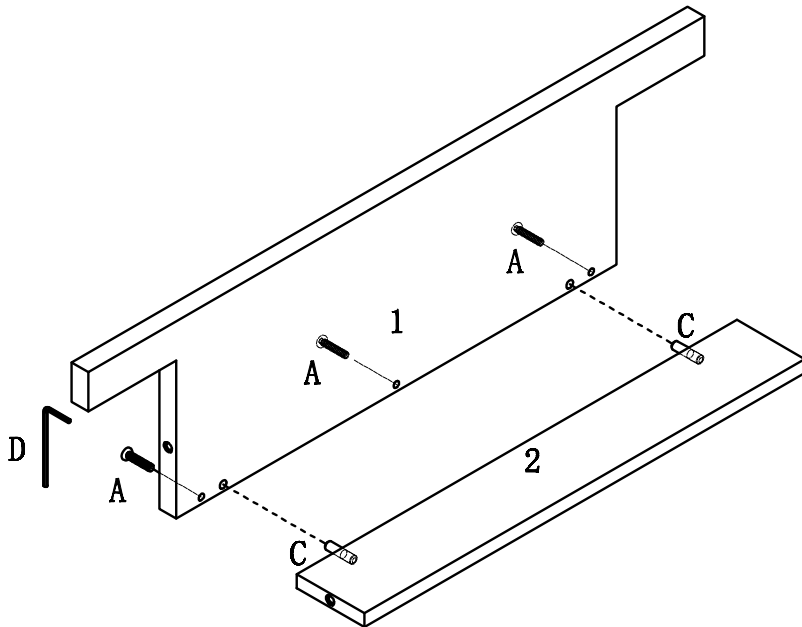
-
- | | | |
|--|---|---|
| <p>A  x11
M6x35mm</p> | <p>B  x4
M6x50mm</p> | <p>C  x12
Ø10X30</p> |
| <p>D  x1
4#</p> | <p>E  x4</p> | <p>F  x4
M4x25mm</p> |

①



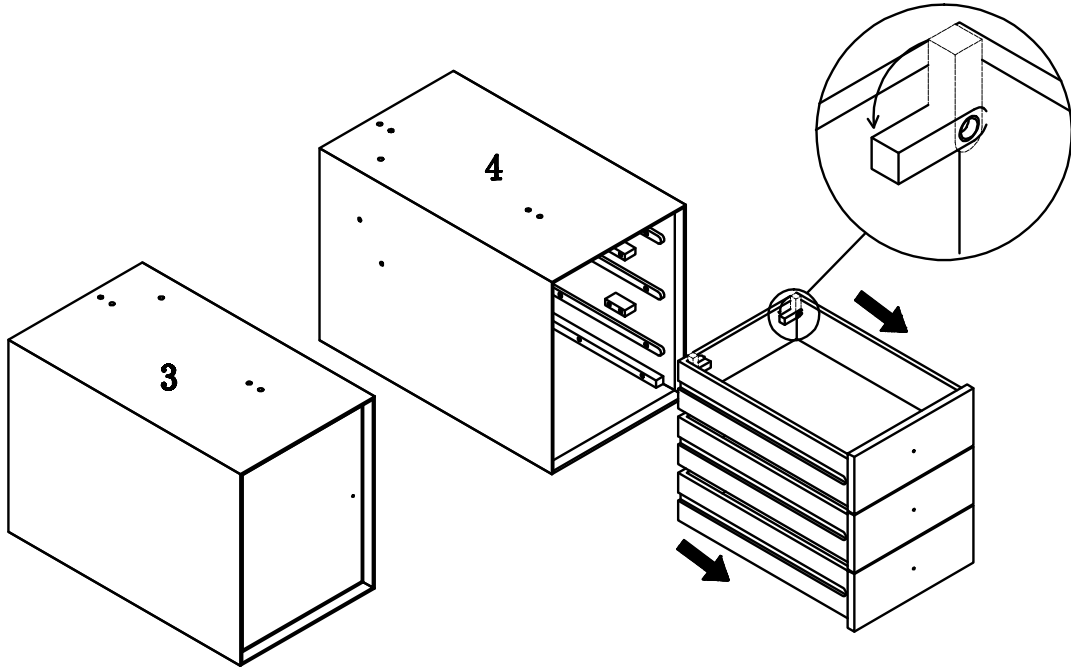
- Ⓑ  x4 M6x50mm Ⓒ  x4 $\phi 10 \times 30$ Ⓓ  x1 4#

②

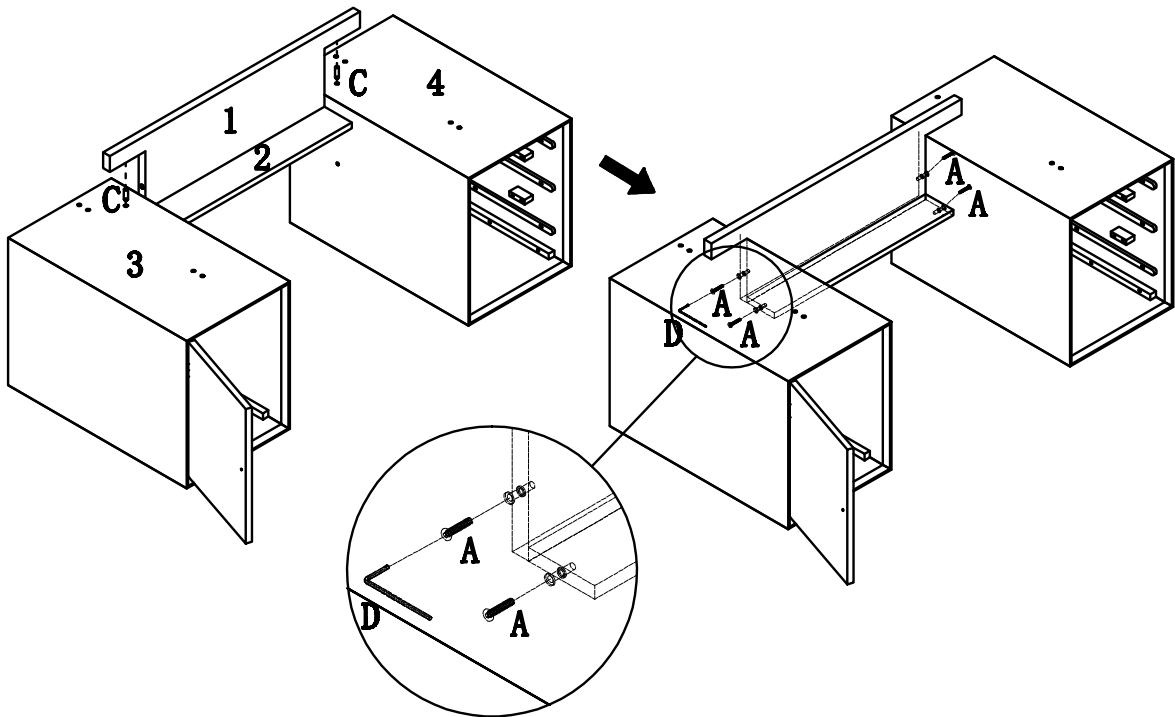


- Ⓐ  x3 M6x35mm Ⓒ  x2 $\phi 10 \times 30$ Ⓓ  x1 4#

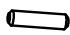
3



4

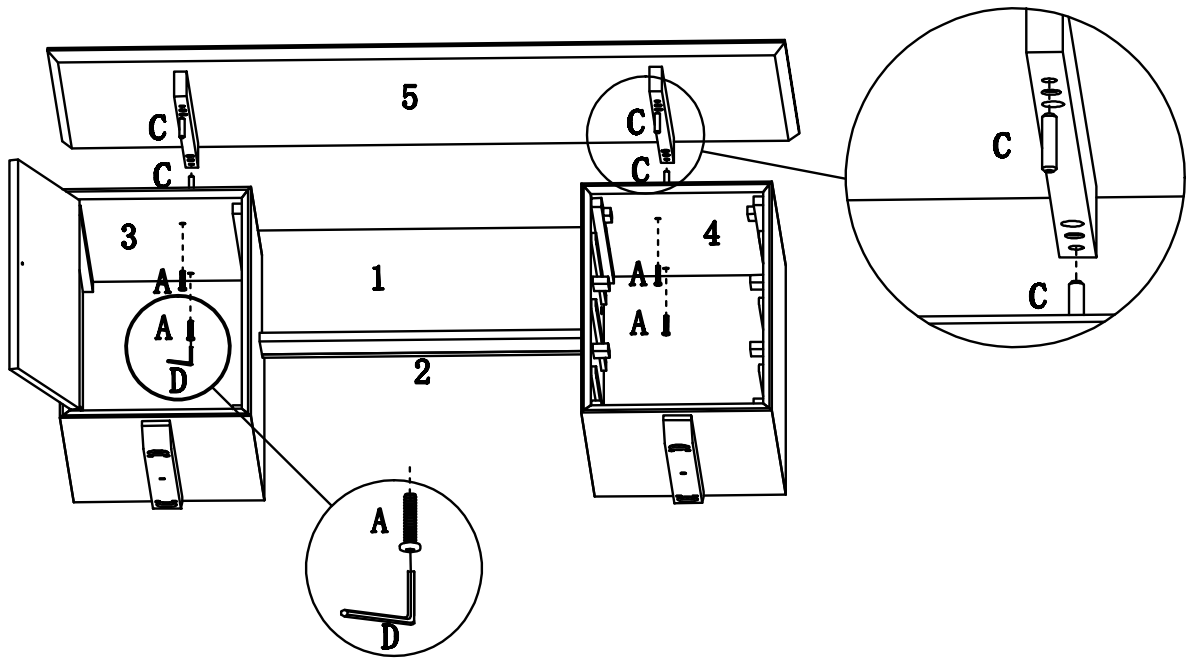


(A)  x4
M6x35mm

(C)  x2
Ø10X30

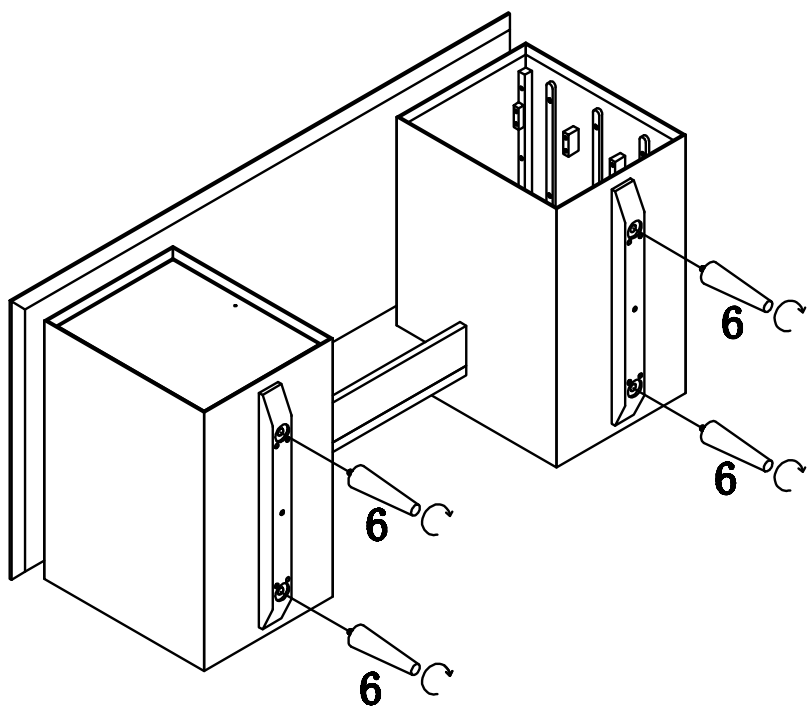
(D)  x1
4#

5



- Ⓐ  **x4** M6x35mm Ⓒ  **x4** $\phi 10 \times 30$ Ⓓ  **x1** 4#

6



7

