










# Assembly Instructions

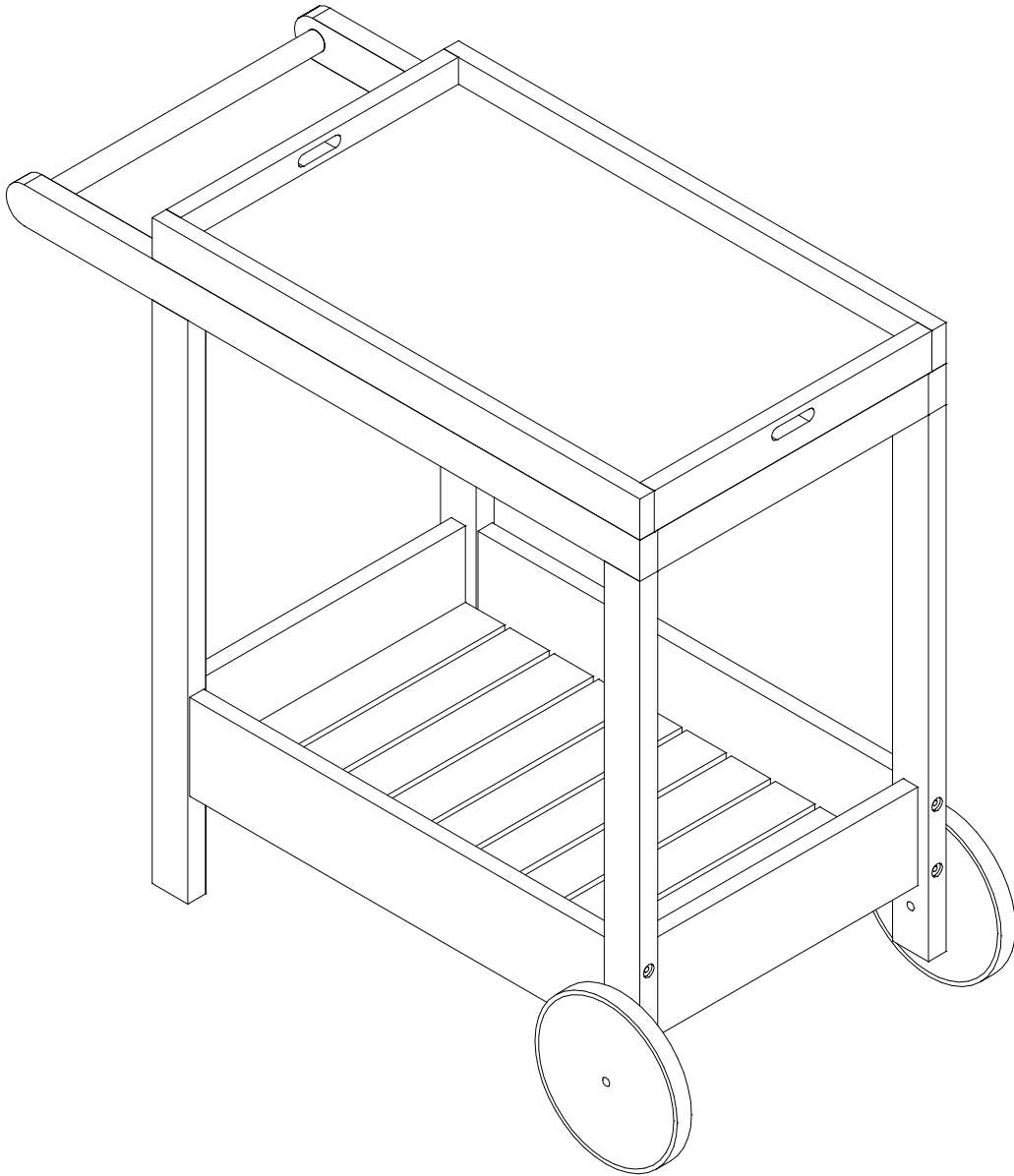
**Caution: You must read this Assembly Instructions before you proceed**

## Care & Maintenance

-  • Not for commercial use. For residential use only.
-  • Do not put hot items directly on furniture surface.
-  • Do not clean furniture with harsh cleansers or polish.
-  • To obtain the longest lifespan of your outdoor product minimizing exposure to direct sunlight is recommended.
-  • Children should not climb or jump on the furniture.
-  • Do not write on furniture without a padded barrier to protect the surface.
-  • To obtain the longest lifespan of your outdoor products, avoid extended and lengthy exposure to rain, snow, and direct sunshine. Whenever possible cover the product and /or place under patio or awnings.
-  • Stains may be removed with mild soap solution and damp cloth.
-  • Dust and pick-up spills using a clean, non-colored, lint- free cloth.

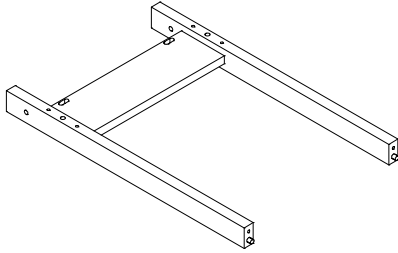
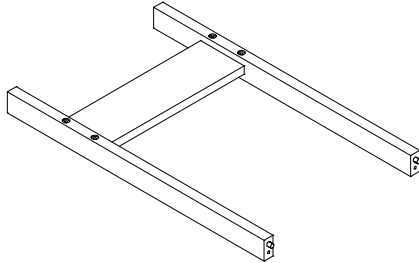
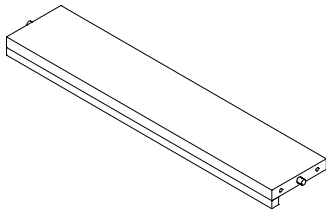
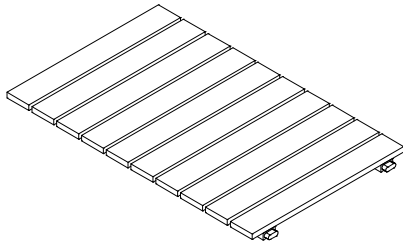
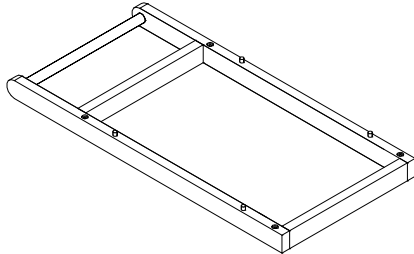
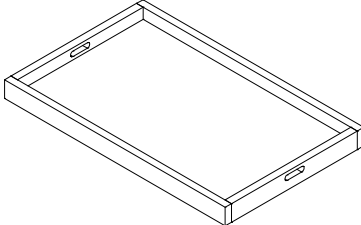
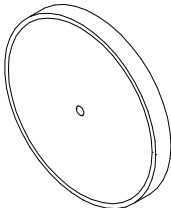
Please look in the HANDLEBAR PANEL for hardware packs

## BAR CART



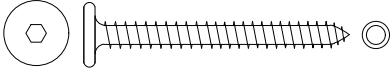
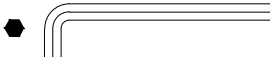
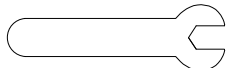


Caution: This Bar Cart is NOT a TOY.  
Keep your child/children at bay during the assembly process.  
Whenever moving/lifting the Bar Cart and to prevent damage to the Bar Cart, two adultpartners may be needed to execute these actions.

## Parts List:

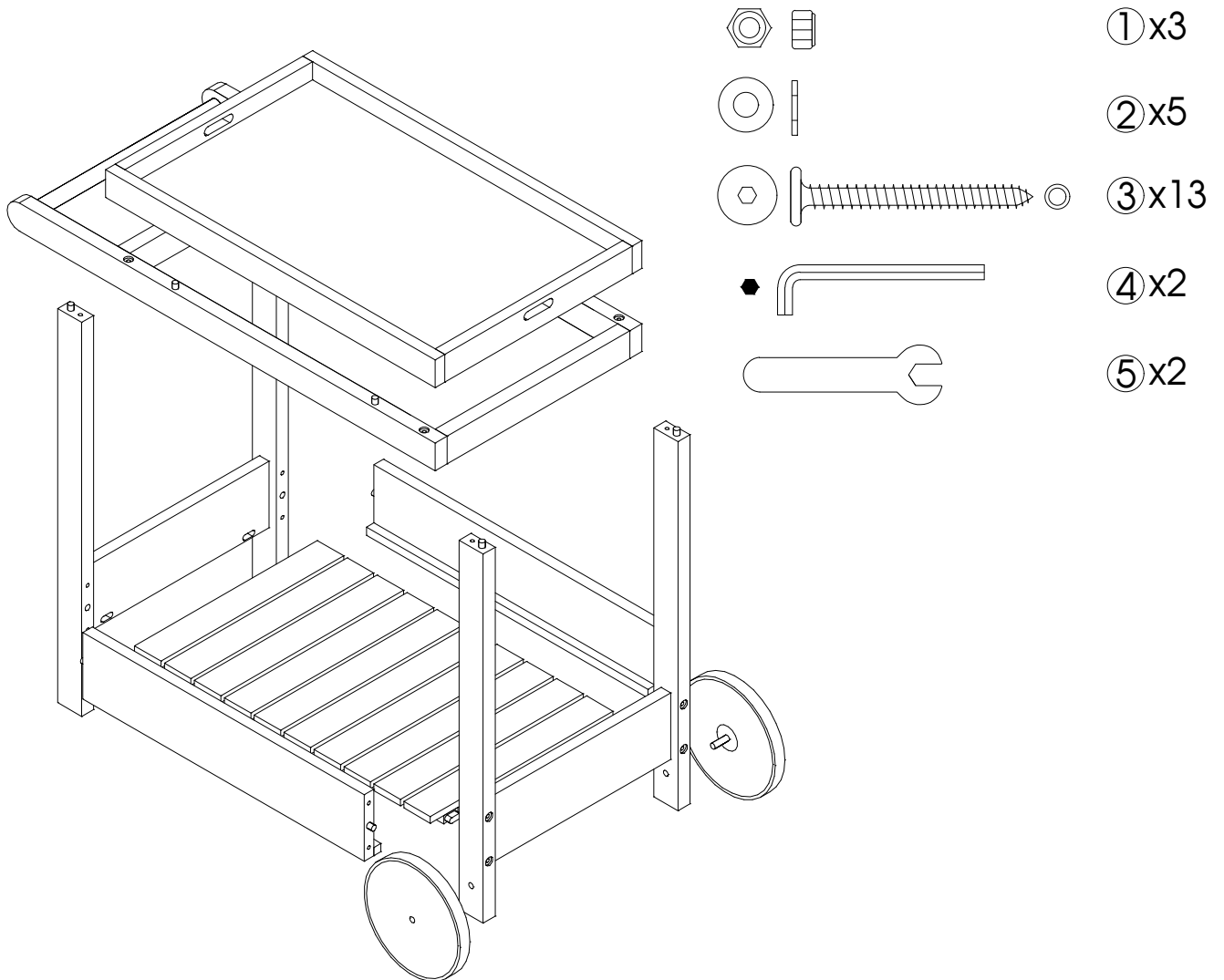
Label	Picture	Description	QTY
A		Front Leg Panel	1
B		Back Leg Panel	1
C		Side Connecting Bottom Tray	2
D		Bottom Tray	1
E		Handlebar Panel	1
F		Top Tray	1
G		Wheel	2

## Hardware:

No	Picture	Description	QTY
①		Nuts	3
②		Washer	5
③		Screws (M6X70mm)	13
④		Allen Wrench	2
⑤		Wrench	2

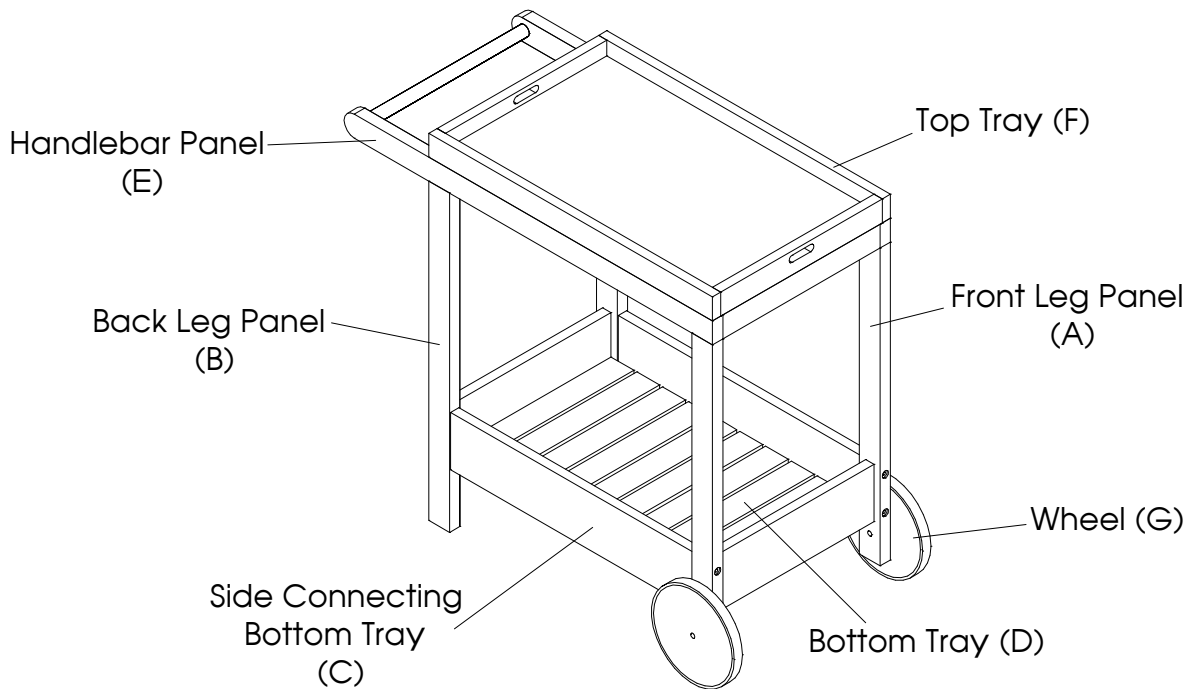
## Assembly Preparation:

Before Beginning Assembly:



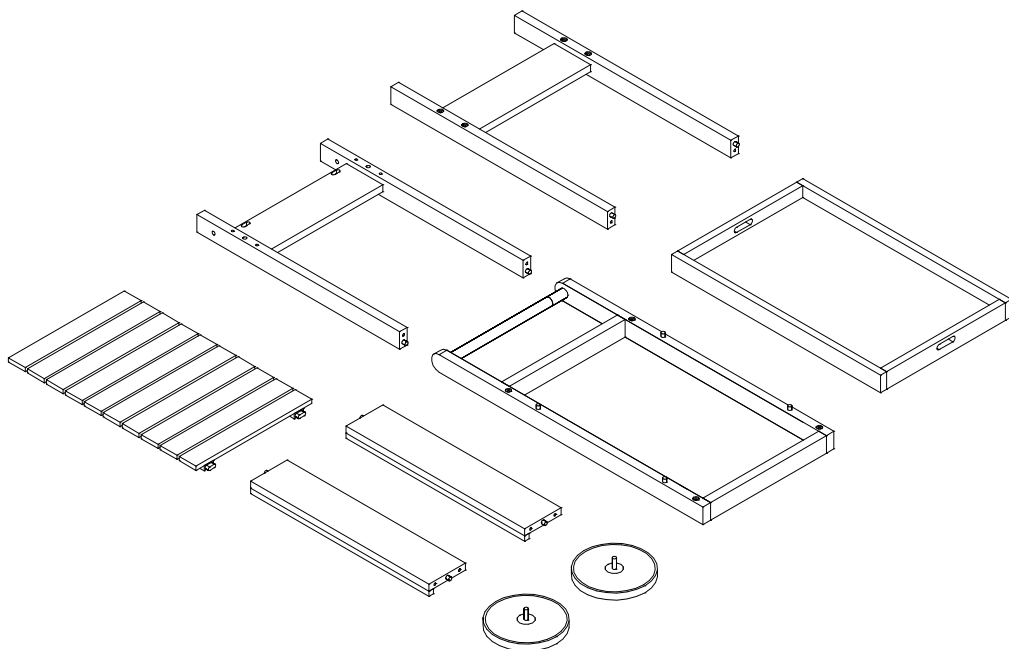
# Assembly Steps:

## Overview:



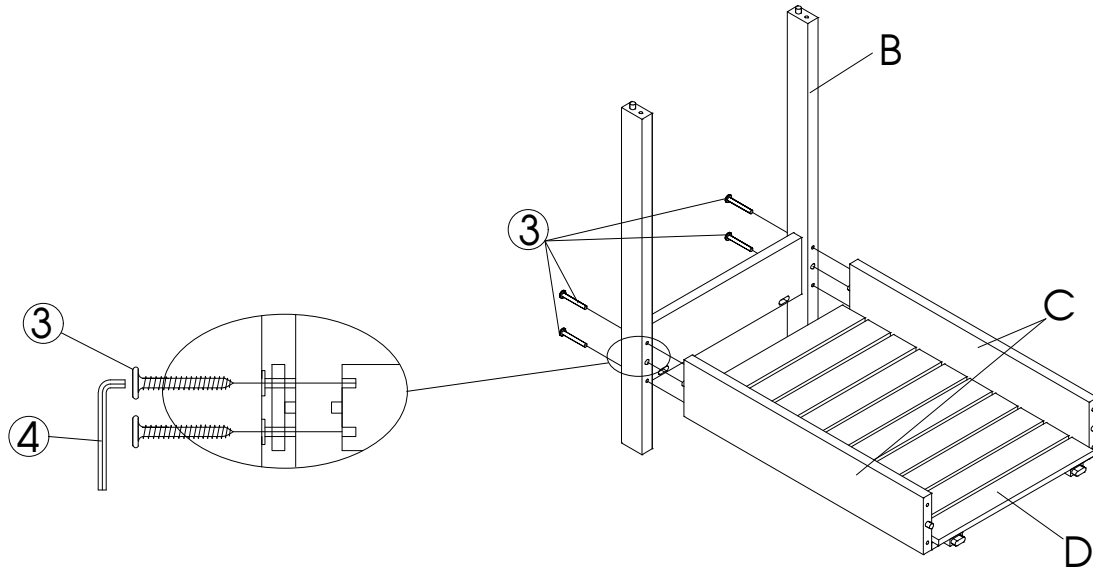
This Bar Cart has multiple parts and may require up to 30 minutes to assemble. To give you an overview of the Bar Cart parts, the above picture is to help you put the various parts into perspective. Please read through the instructions below to familiarise yourself with the parts and steps before assembly.

## Step 1:



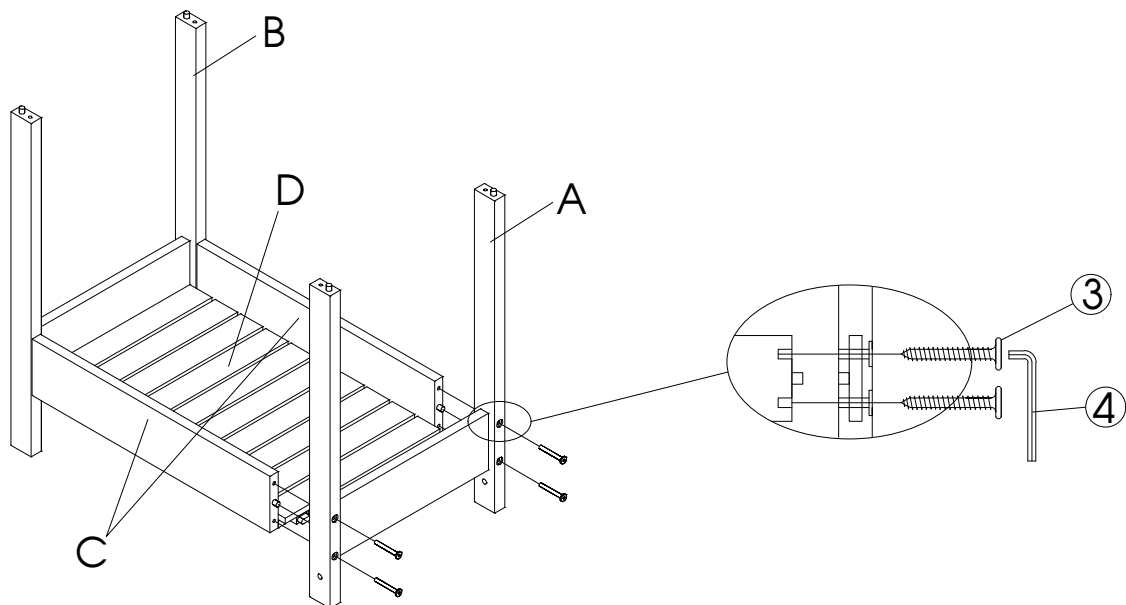
Unpack and place all parts on a clean, non-marring surface.

Step 2:



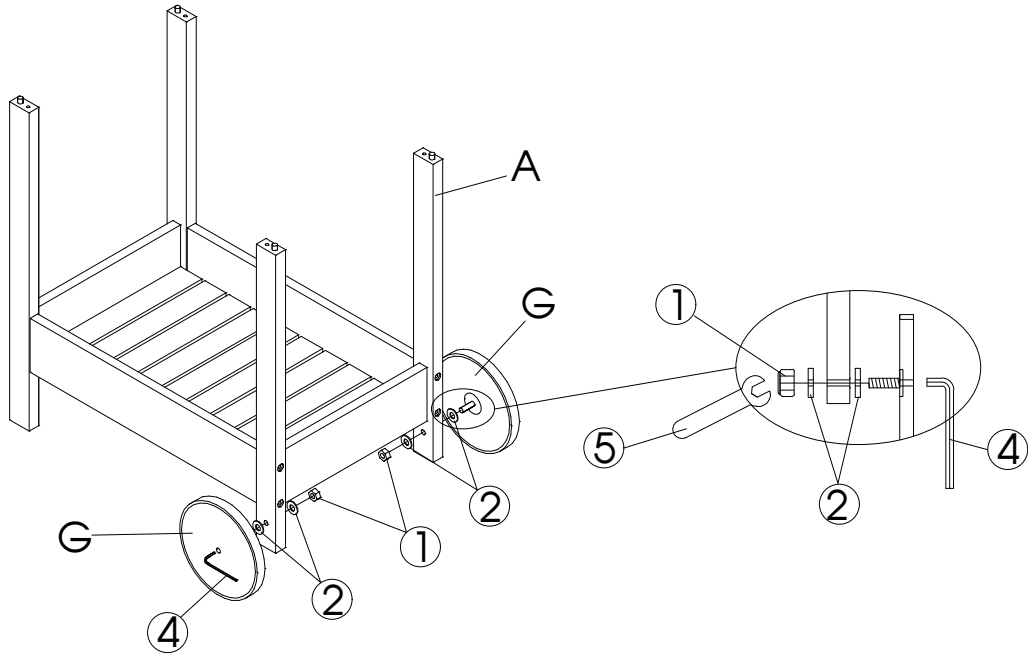
With the help of your adult partner, fix the Bottom Tray (D), Side Connecting Bottom Tray (D) with The Back Leg Panel (B) by using 04 screws (3) and Allen Wrench (5). **DO NOT fully tighten the Screws.**

Step 3:



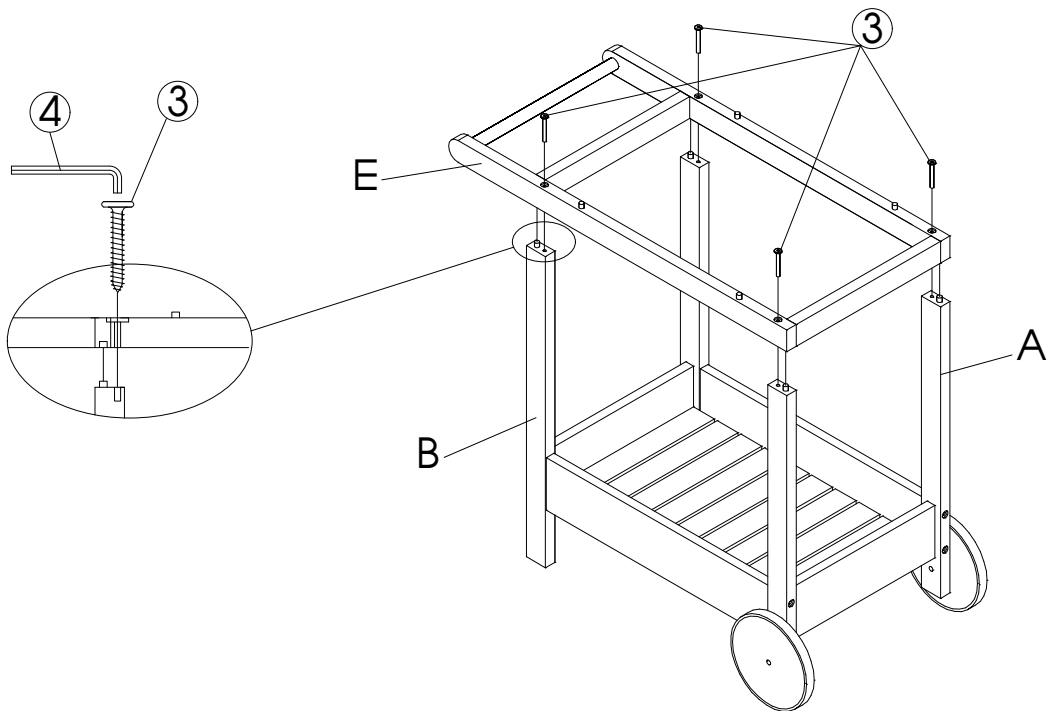
Fix the Bottom Tray (D) Side Connecting Bottom Tray (D) with The Front Leg Panel (A) by using 04 screws (3) and Allen Wrench (5). **DO NOT fully tighten the Screws.**

Step 4:



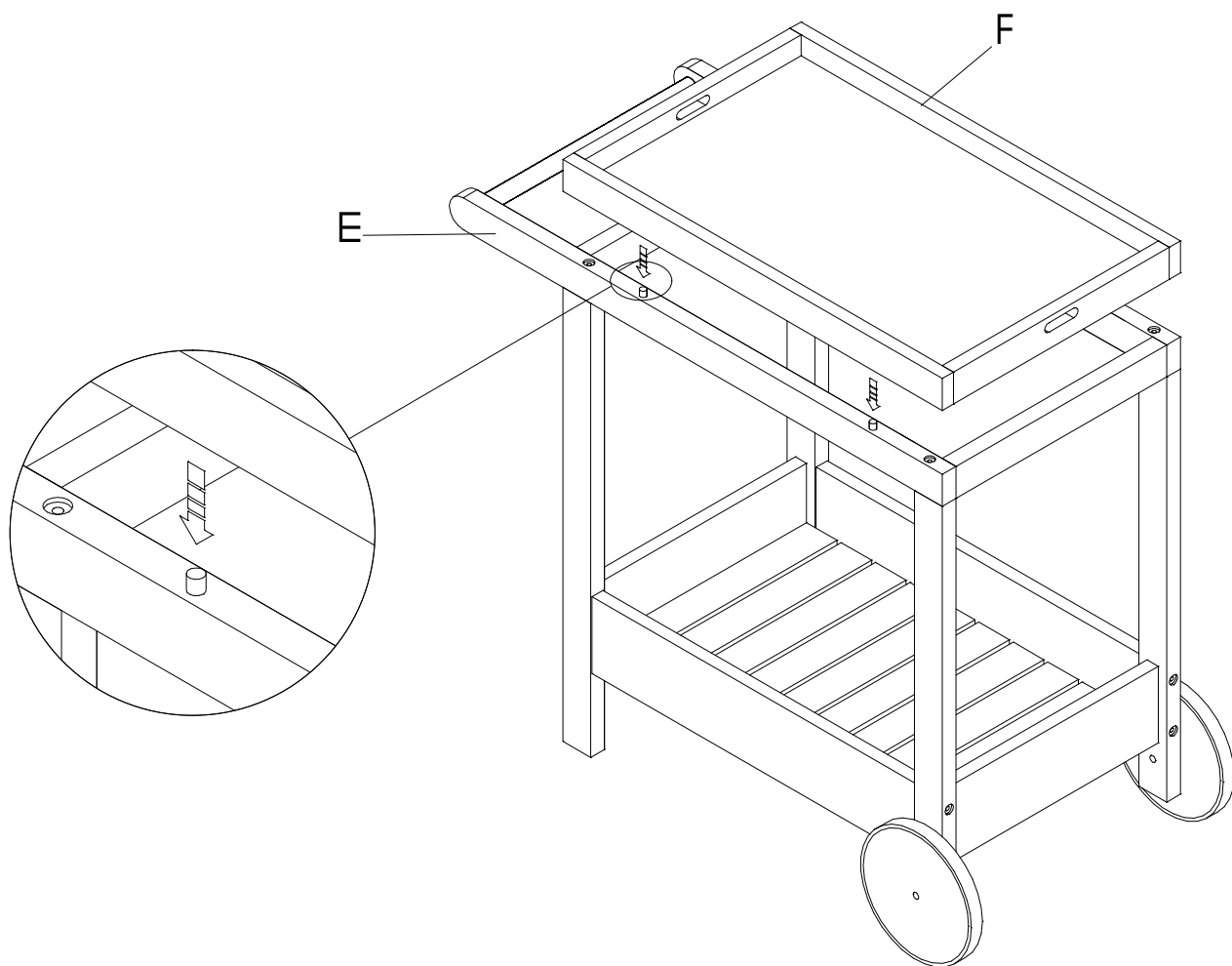
Fix The Wheels (G) to the Front Leg Panel (A) by using 04 Washers (2), 02 Nuts (1) by Allen Wrench (4) and Wrench (5). **DO NOT fully tighten the Nuts.**

Step 5:

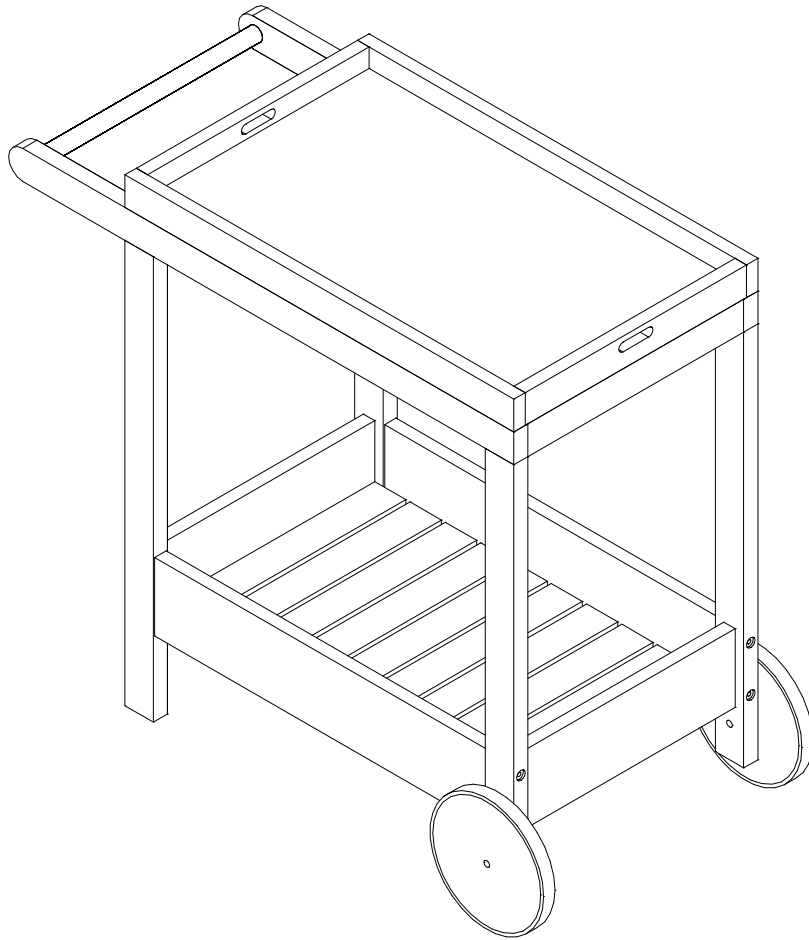


Use the Screws (3) fix the Handlebar Panel (E) with Legs by using the Allen Wrench (4). **DO NOT fully tighten the Screws.**

Step 6:



Fix the Top Tray (F) with Handlebar Panel (F).



With the help of your adult partner, stand the Bar Cart up.  
Exert pressure floorwards, onto the Bar Cart with both your hands.  
This pressure will help the Legs and Bar Cart Top reach full alignment status.  
Check for wobbles on a LEVEL surface.  
If no wobbles are found proceed to tighten the Screw in a sequential manner, until evenly secured.  
When tightening the Screw tighten sequentially.  
**WARNING!! IF THE BAR CART IS NOT STABLE, IT COULD LEAD TO DAMAGING THE PRODUCT.**