
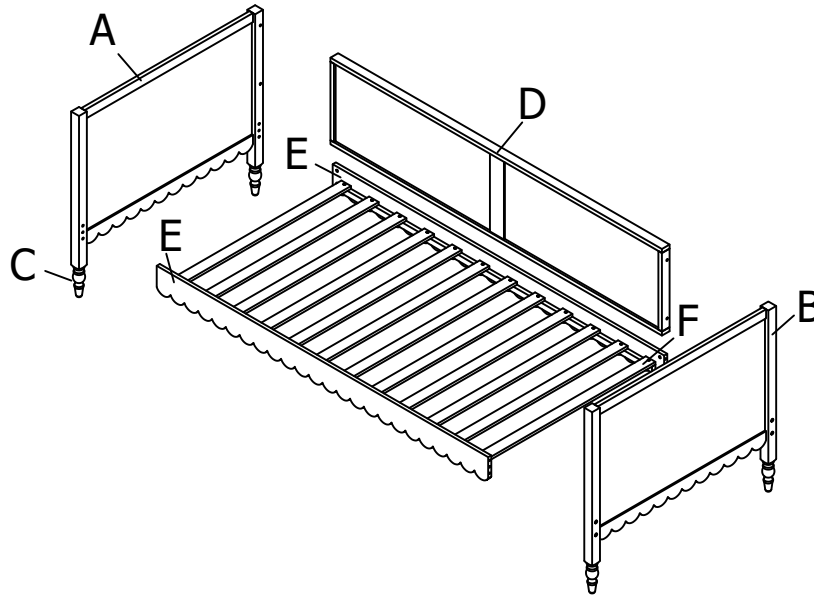


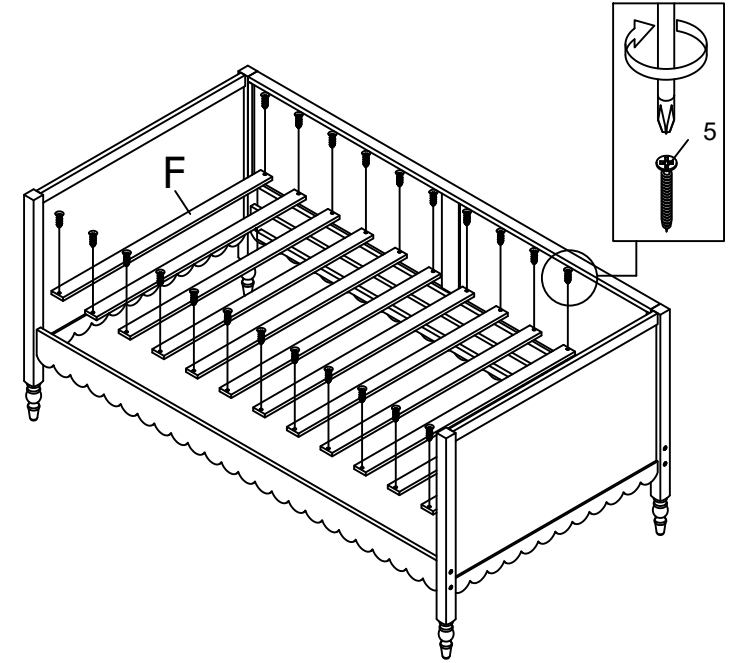
ASSEMBLY INSTRUCTIONS

MODEL : Roni Day Bed Twin

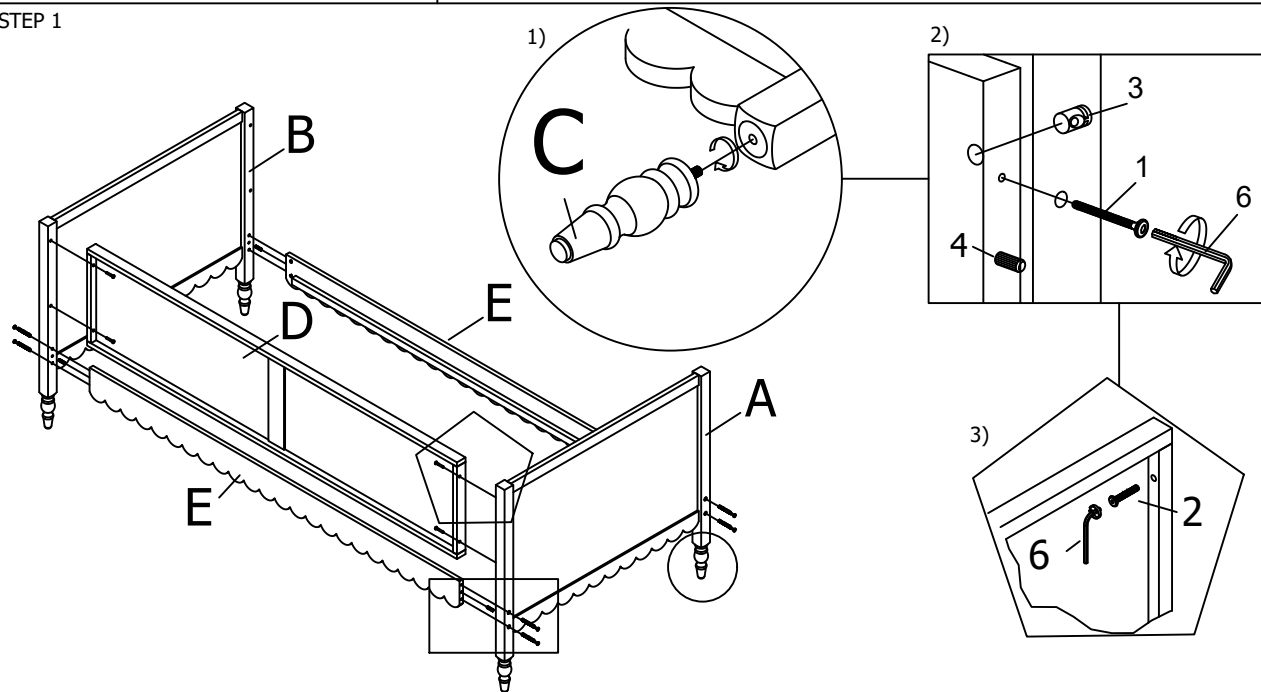
NO	Hardware	QTY
1	JCBC M6 X 80 mm 	8
2	JCBC M6 X 30 mm 	4
3	BARRET NUT 	8
4	WOOD DOWEL M8 X 30 mm 	4
5	CSK M4 x 25mm 	24
6	ALLEN KEY - M4 	1



STEP 2



STEP 1



completed

