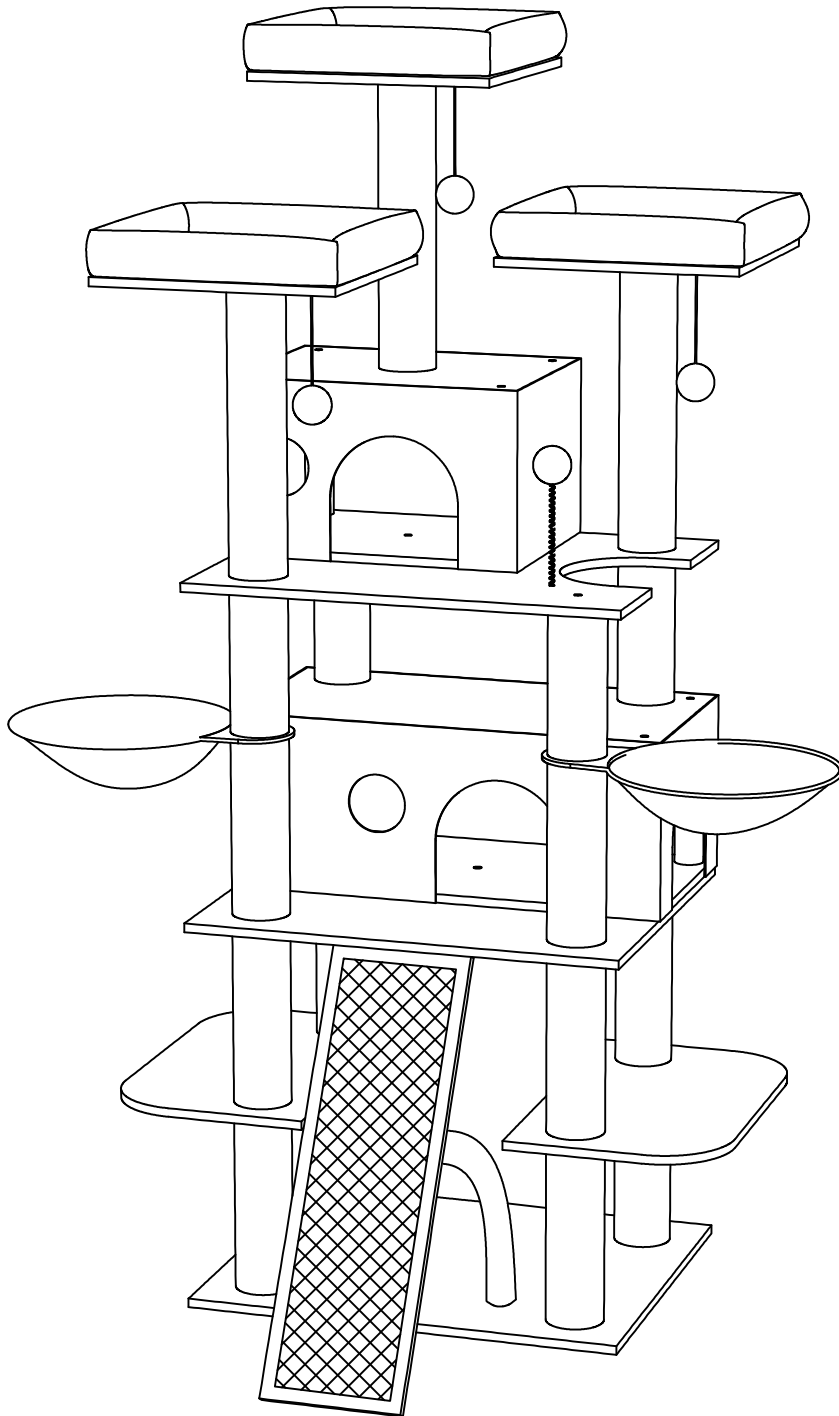
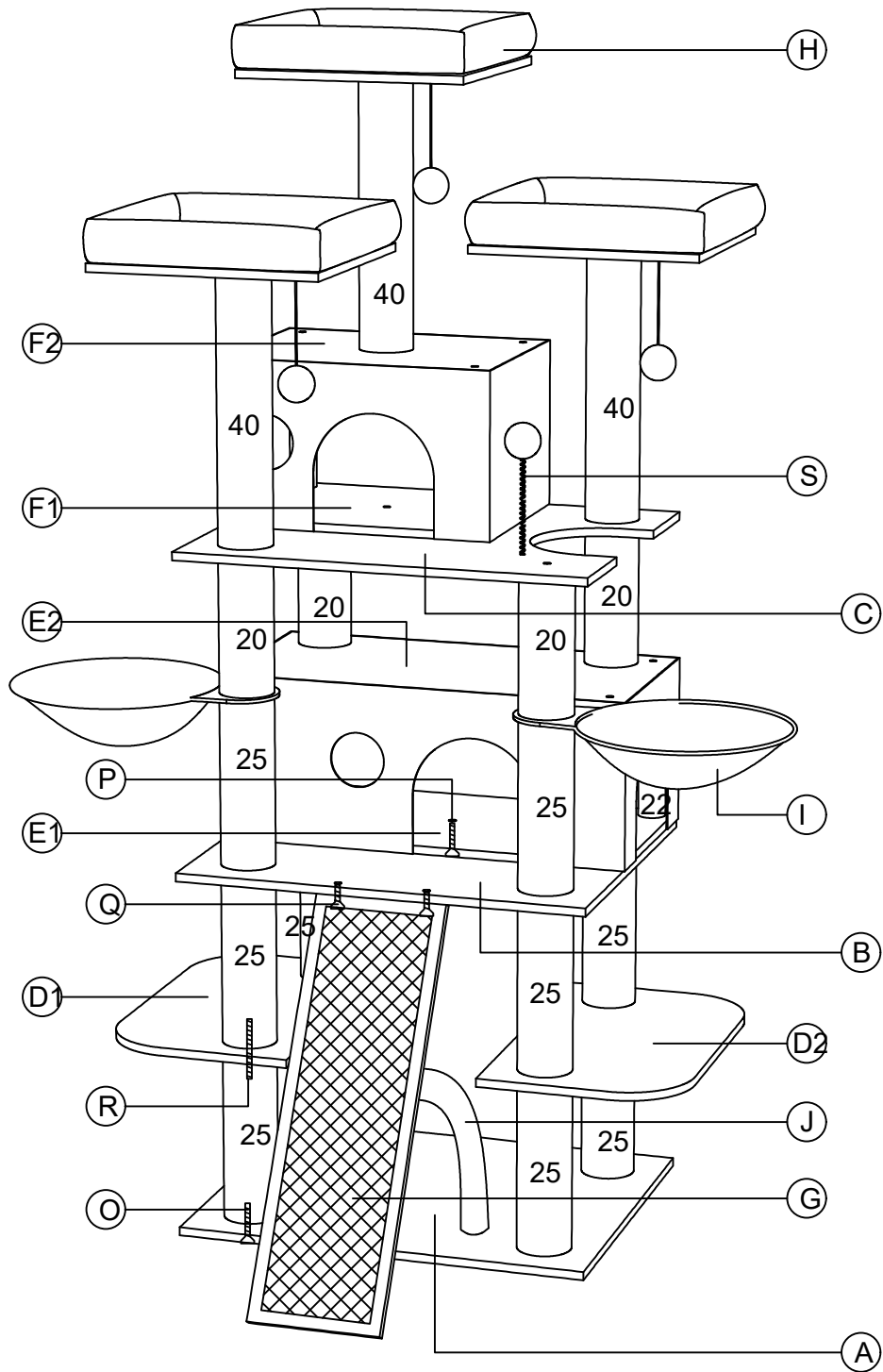


Assembly diagram

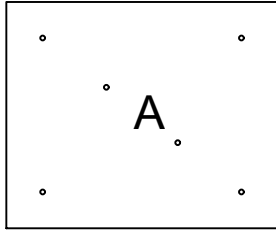
Final assembly effect drawing



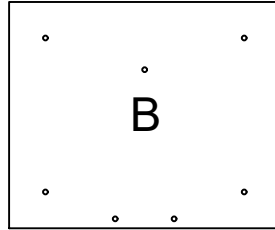
Exploded view



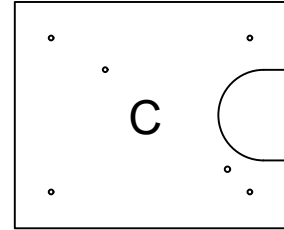
Exploded view



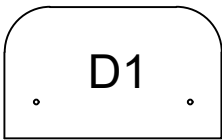
60*50cm*1



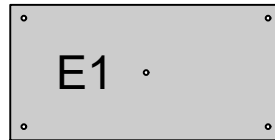
60*50cm*1



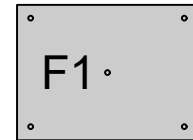
60*50cm*1



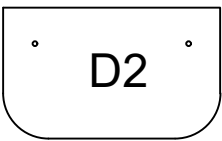
48*29cm*1



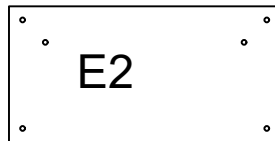
60*30cm*1



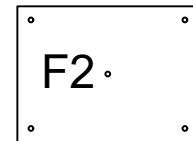
40*30cm*1



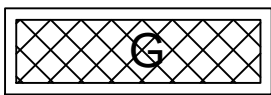
48*29cm*1



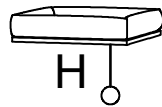
60*30cm*1



40*30cm*1



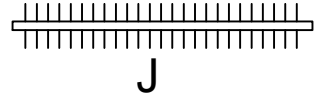
59*19cm*1



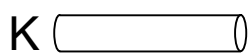
33*33cm*3



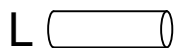
φ30cm*3



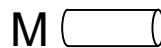
70*6cm*1



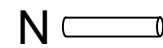
40cm*3



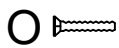
25cm*10



20cm*4



22cm*8



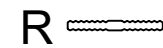
M8*40mm*27



M8*35mm*2



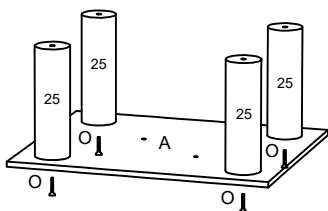
M8*18mm*2



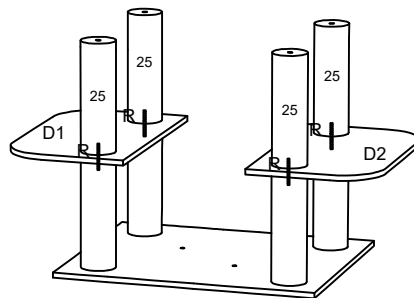
M8*65mm*10

Installation steps

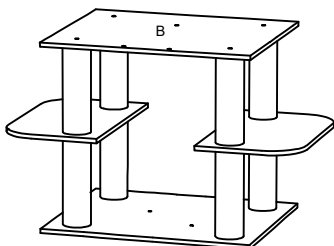
- ① Step1. Use screw #O (M8*40mm) to connect column #L(25cm) with base plate #A (60*50cm)



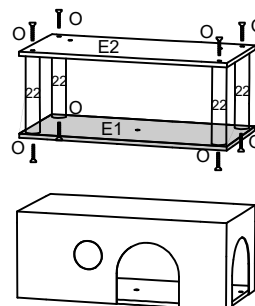
- ② Step2. Insert screw #R (M8*65mm) on the column, insert accessories #D1 and #D2 into the alignment hole, connect the column #L(25cm) with screw #R,



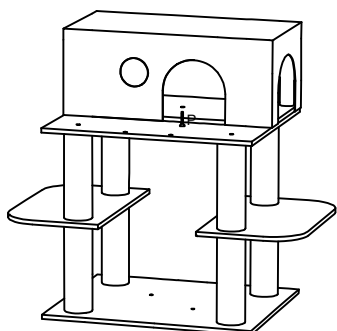
- ③ Step3. Place #B plate (60*50cm) on the post according to the hole position, insert screw #R (M8*65mm) on the 2 front posts, and connect the 2 rear posts with screw #O (M8*40mm)



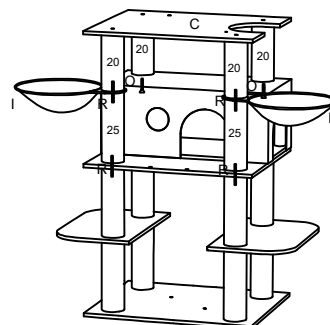
- ④ Step4. Installation of large cat room: Connect accessories #E1 and #E2 with screw #O (M8*40mm) and column #N(22cm) (flannel board on the bottom, no flannel board on the top), and cover the large flannel cloth after assembling



- ⑤ Step5. Put the installed large cat room on board B and connect it with screw #P(M8*35mm).

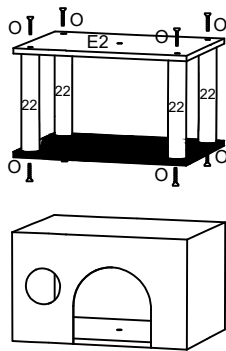


- ⑥ Step6. Connect the two front columns #L(25cm) to plate B, insert screws #R (M8*65mm) on the column, put accessories #I, and connect with column #M(20cm), 2 rear columns are connected with column #M(20cm) through the hole of the cat room using screws (M8*40mm), and then put the plate C according to the hole position.

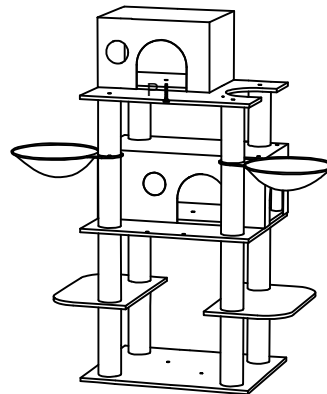


Installation steps

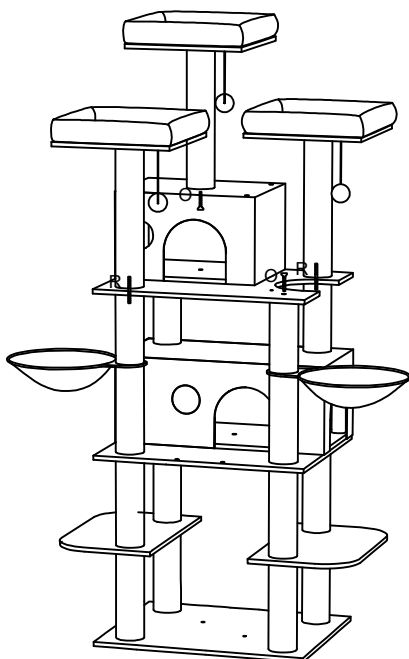
- ⑦ Step7. Install small cat room: connect accessories #F1 and #F2 with screw O (M8*40mm) and column #N(22cm) (flannel board on the bottom, no flannel board on the top), and cover the small flannel cloth after assembling.



- ⑧ Step8. According to the hole position of THE C plate, butt screw #R (M8*65mm) is used on the left side of the front column, embedded screw (M8*40mm) is used on the right side of the front column, embedded screw (M8*40mm) is used on the left side of the rear column, butt screw #R (M8*65mm) is used on the right side of the rear column. The installed small cat room is put on the C plate. Use screw #P(M8*35mm) to secure.



- ⑨ Step9. Install 3 cat beds, use docking screws #R (M8*65mm) to link accessories #H and #K, 2 are installed on the reserved screws of the #C board, 1 is installed on the top of the kitten room, and the top uses embedded screws (M8*40mm) fixed.



- ⑩ Step10. Finally, install the spring ball on board #C, cat scratch board on board #B, and cat brush on board #A.

