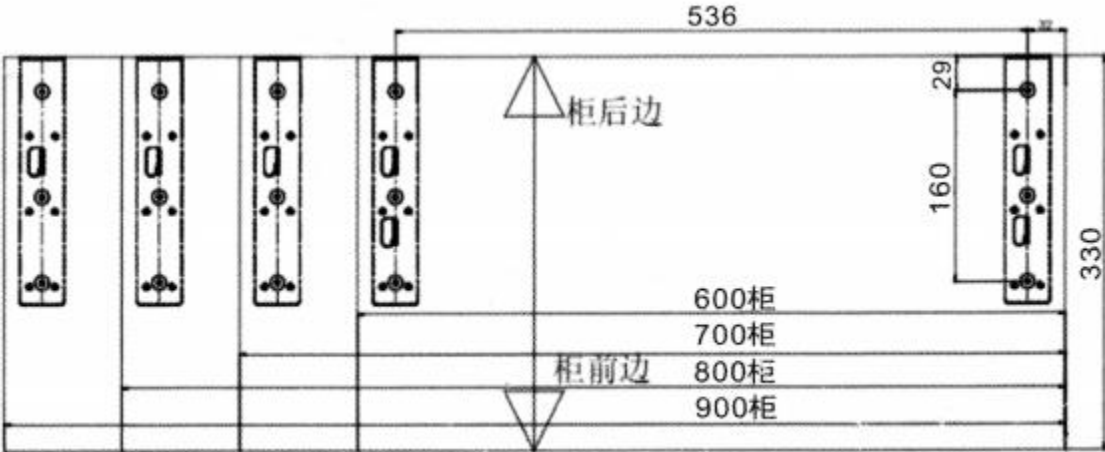
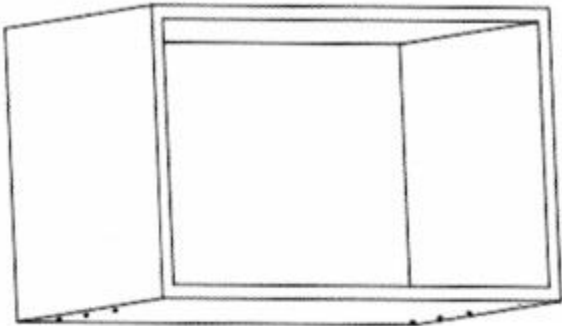


Installation Instructions

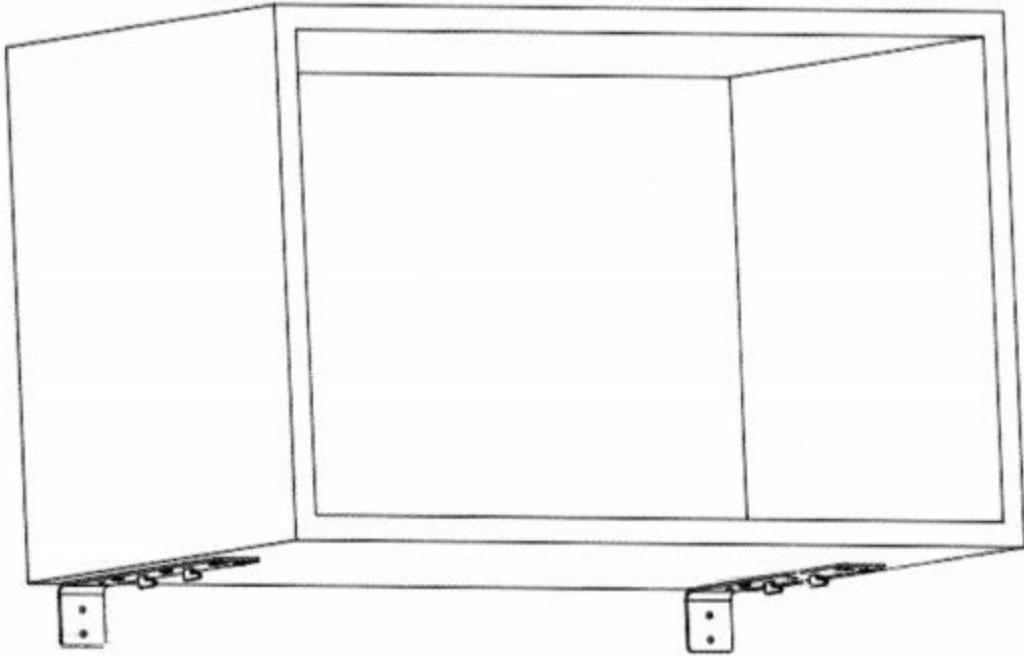
Accessory Details

- 1. Fixing Mounting Tabs(2Pcs)
- 2. 4x16 Self-tapping Screws(12Pcs)
- 3. Main Body of the Grid(1Set)
- 4. Plugs(4Pcs)
- 5. M5x8 Countersunk Machine Wire(8Pcs)
- 6. Mounting Card(1Pcs)

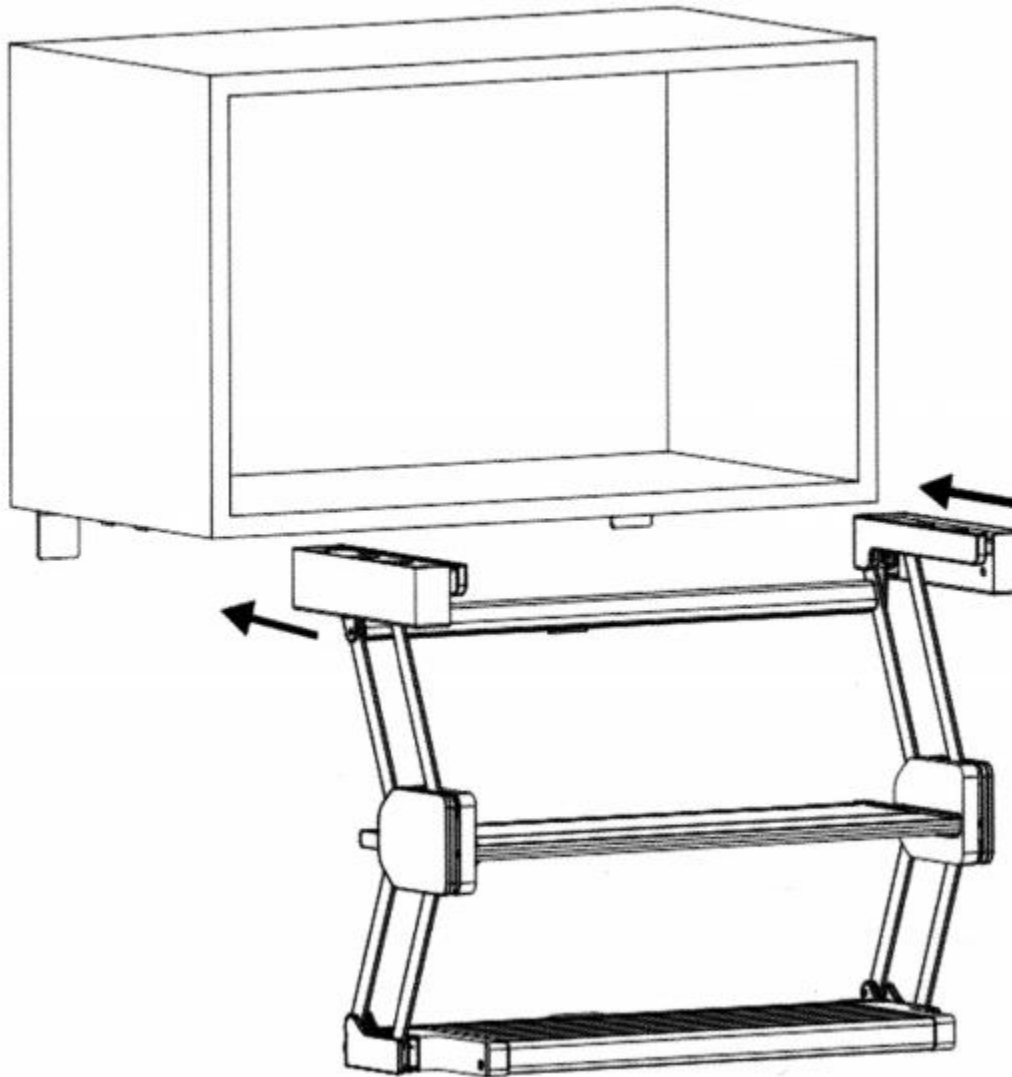


- Back of the Cabinet
- Front of the Cabinet
- Cabinet

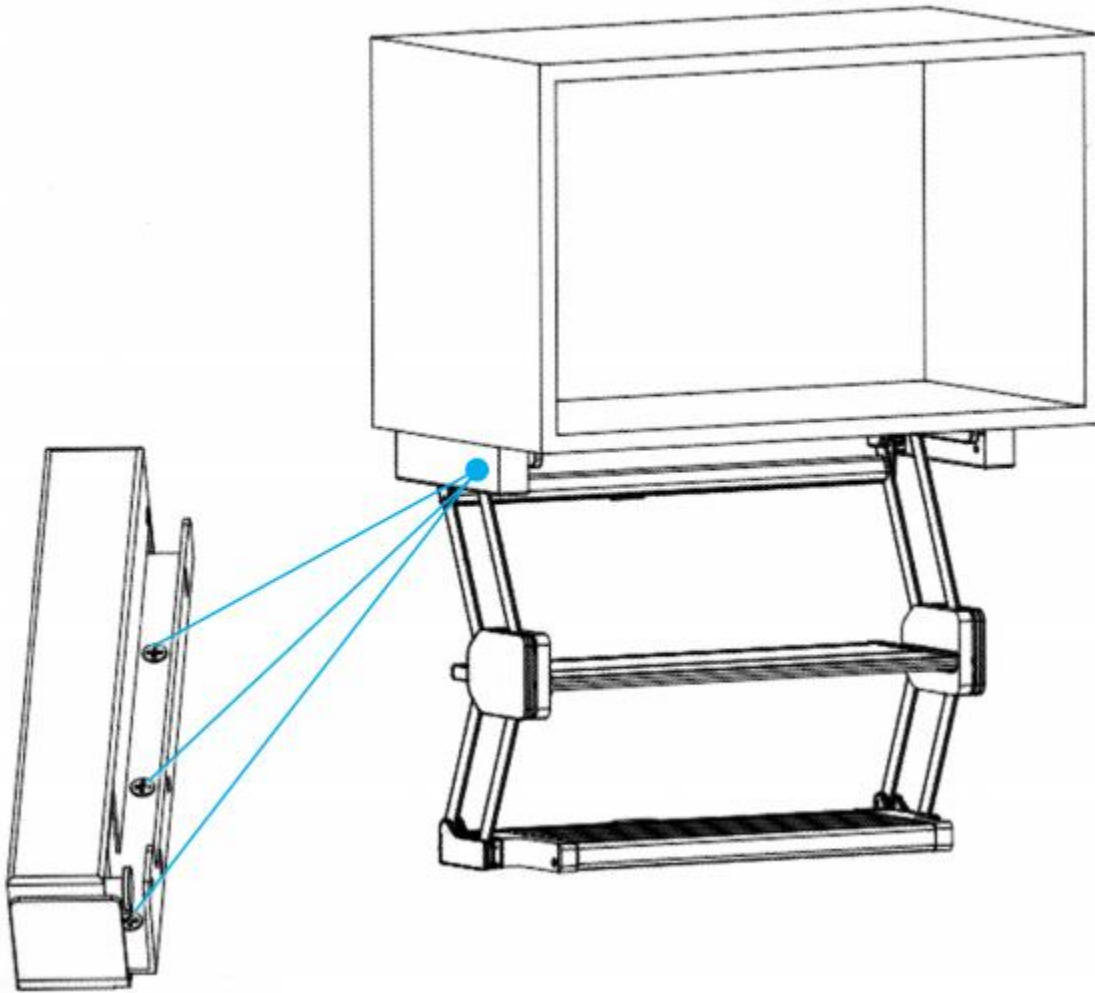
Step 1: According to the cabinet specification, combined with the mounting paper card, drill holes in the bottom of the cabinet according to the positioning points of the mounting paper card.



Step 2: Combining the holes drilled in step 1, fix the left and right mounting tabs to the cabinet with M4X16 screws.



Step 3: Hang the main body of the grid on the fixed part and push it forward in the direction of the arrow.

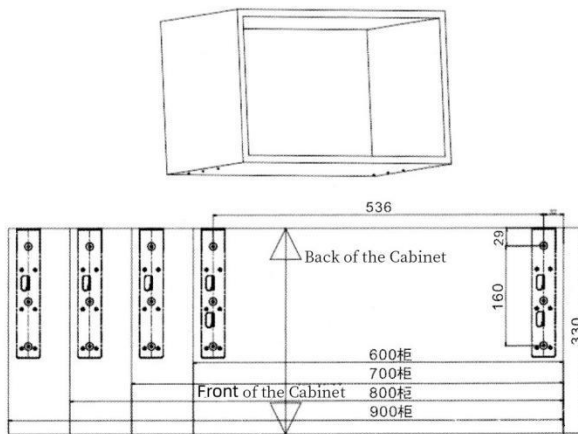


Step 4: Use 6 M5X8 screws to align the fixing holes of the grid from bottom to top, and lock the grid onto the cabinet bottom plate.

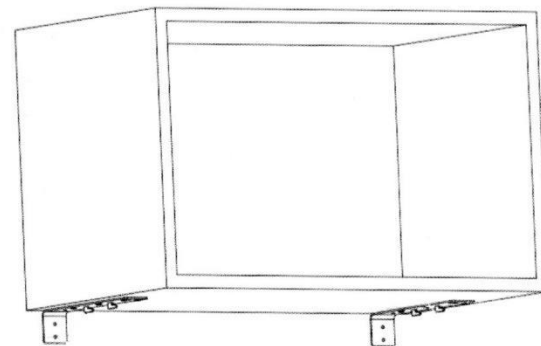
Installation Instructions

Accessory Details:

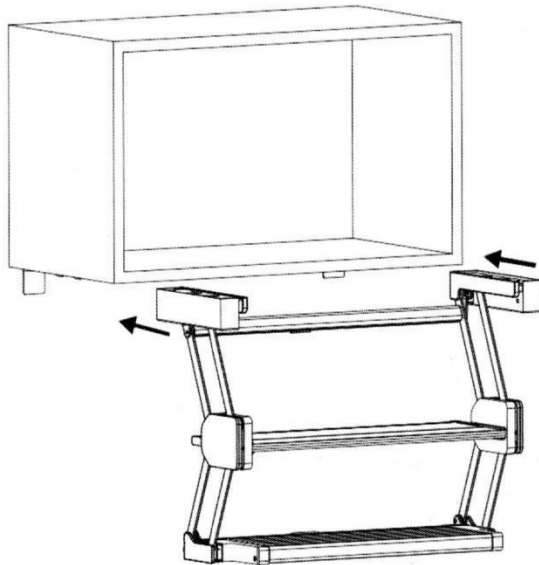
- | | |
|------------------------------------|--|
| 1. Fixing Mounting Tabs(2Pcs) | 4. Plugs(4Pcs) |
| 2. 4x16 Self-tapping Screws(12Pcs) | 5. M5x8 Countersunk Machine Wire(8Pcs) |
| 3. Main Body of the Grid(1Set) | 6. Mounting Card(1Pcs) |



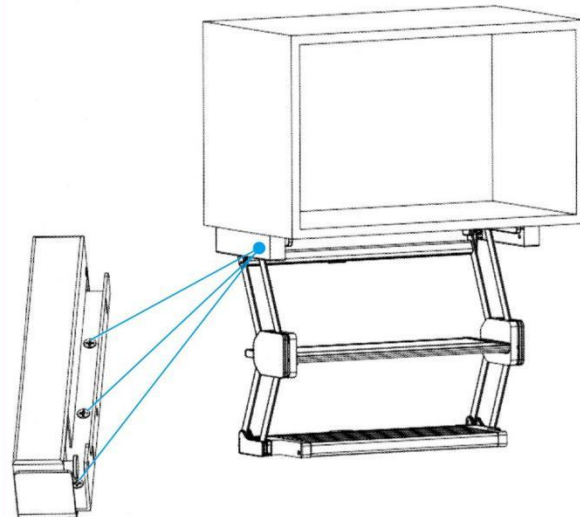
Step 1: According to the cabinet specification, combined with the mounting paper card, drill holes in the bottom of the cabinet according to the positioning points of the mounting paper card.



Step 2: Combining the holes drilled in step 1, fix the left and right mounting tabs to the cabinet with M4X16 screws.



Step 3: Hang the main body of the grid on the fixed part and push it forward in the direction of the arrow.



Step 4: Use 6 M5X8 screws to align the fixing holes of the grid from bottom to top, and lock the grid onto the cabinet bottom plate.