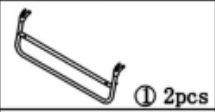
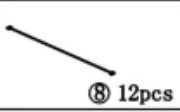



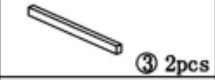












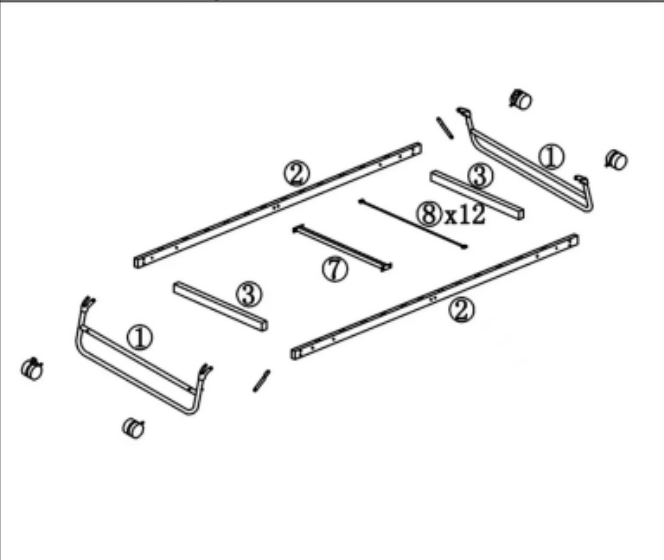


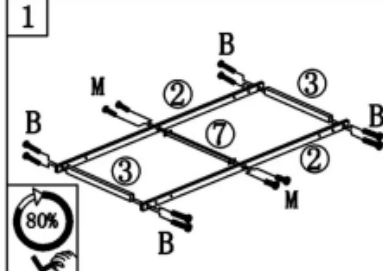
ASSEMBLE INSTRUCTION

Thank you very much for purchasing our iron bed.
 If you have any problems during use, please feel free to contact us and we are glad to be of service to you.
 Thank you.

 ① 2pcs	 ⑧ 12pcs	 M6*40 4Pcs+1 (A)
 ② 2pcs		 M6*40 8Pcs+1 (B)
 ③ 2pcs		 1Pc (C)
 ⑦ 1pc		 M6 2Pcs+1 (D)
		 M6 6Pcs+1 (E)
		 M6 2Pcs (F)
		 4Pcs (G)
		 2Pcs (H)
		 10mm 1Pc (J)
		 13mm 1Pc (K)
		 M6 2Pcs (L)
		 M6*25 4Pcs+1 (M)
		 M6*35 2Pcs+1 (N)



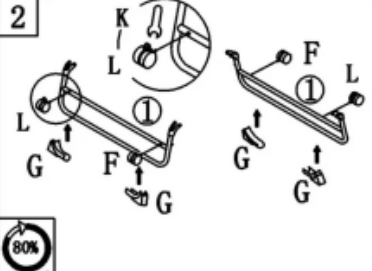
1



80%

(A)	*8	(D)	*4
(B)		(D)	
(M6*40mm)		(M6*25mm)	

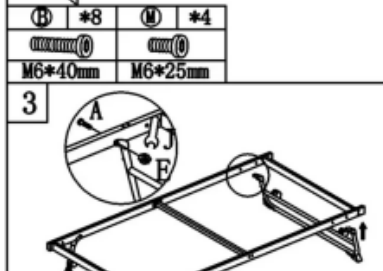
2



80%

(E)	*2	(F)	*4	(M)	*1	(L)	*2
(M6)		(13mm)		(M6)		(M6)	

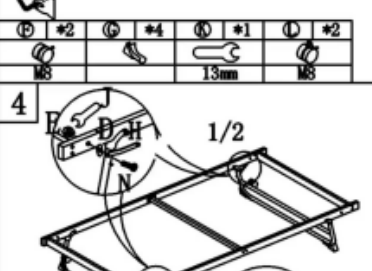
3



80%

(E)	*4	(L)	*1	(A)	*4
(M6)		(10mm)		(M6*40mm)	

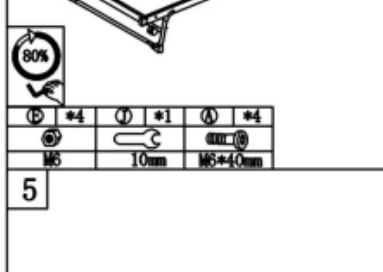
4



80%

(E)	*2	(F)	*2	(M)	*1	(L)	*2
(M6)		(10mm)		(M6*35mm)		(M6)	

5



6

Warm prompt: The trundle bed need to lift up when rest lying in. The wheels just use to pull in or out. Best Wishes.

