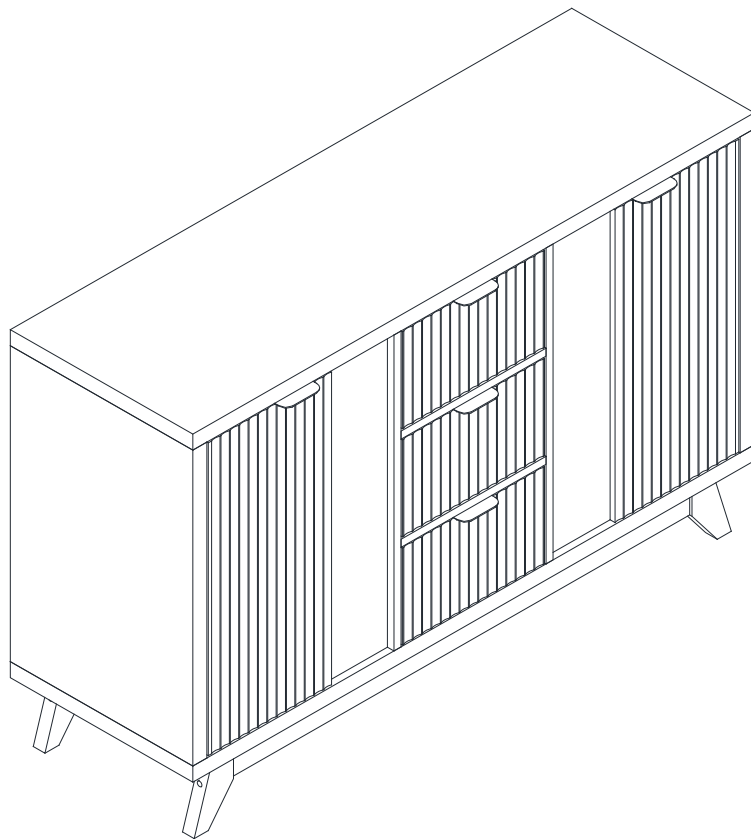


# User Manual



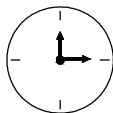
Please feel free to contact us if you need help.  
We are always online 24h a day.

[service\\_April@163.com](mailto:service_April@163.com)

■ +1 7402568754

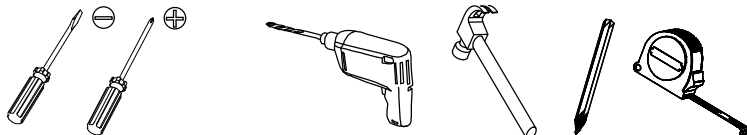


2PERS



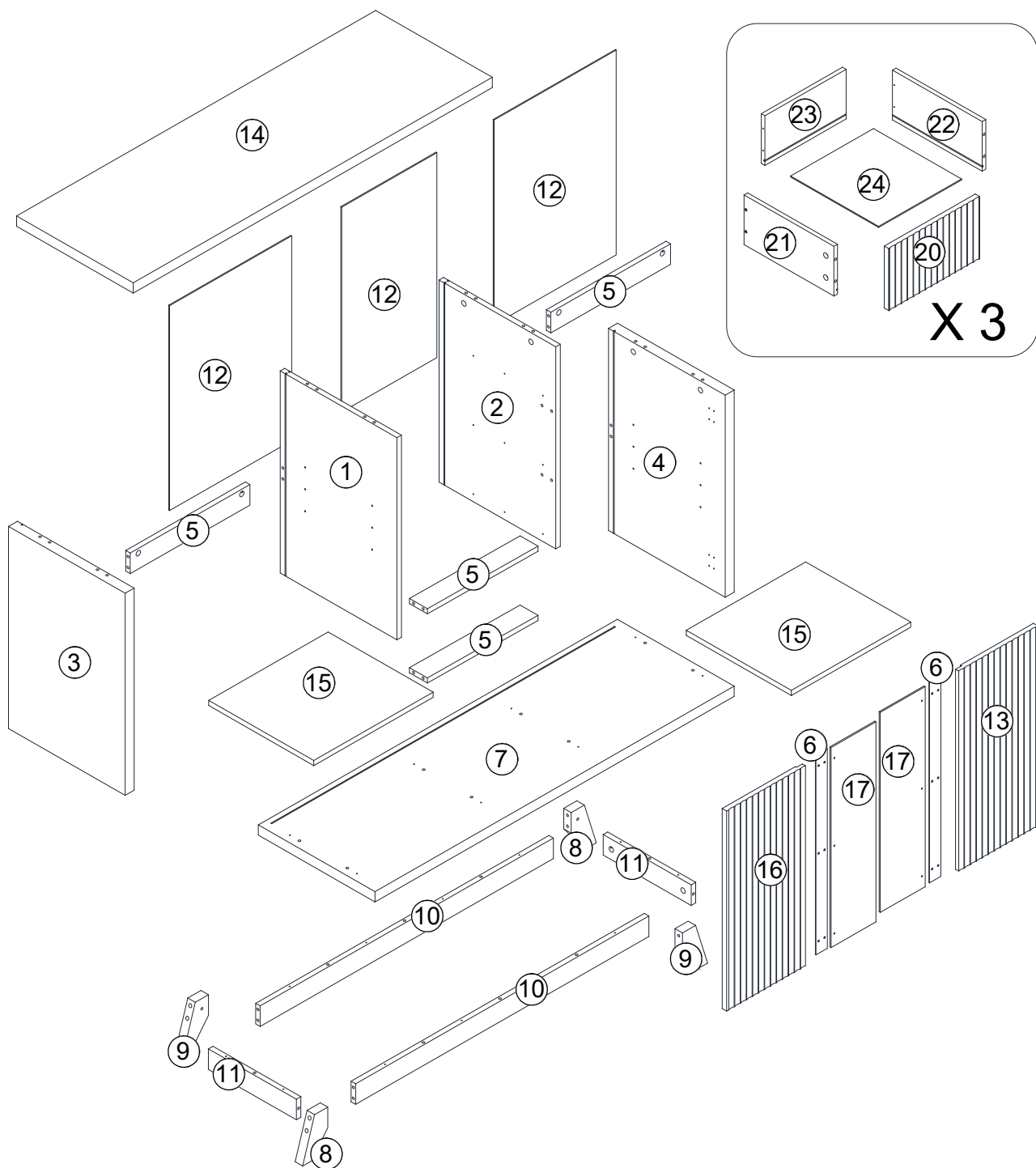
60 MIN

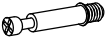






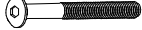









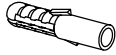







Tool Required Not Provided



# Assembling Instruction

All accessories and installation tools are included



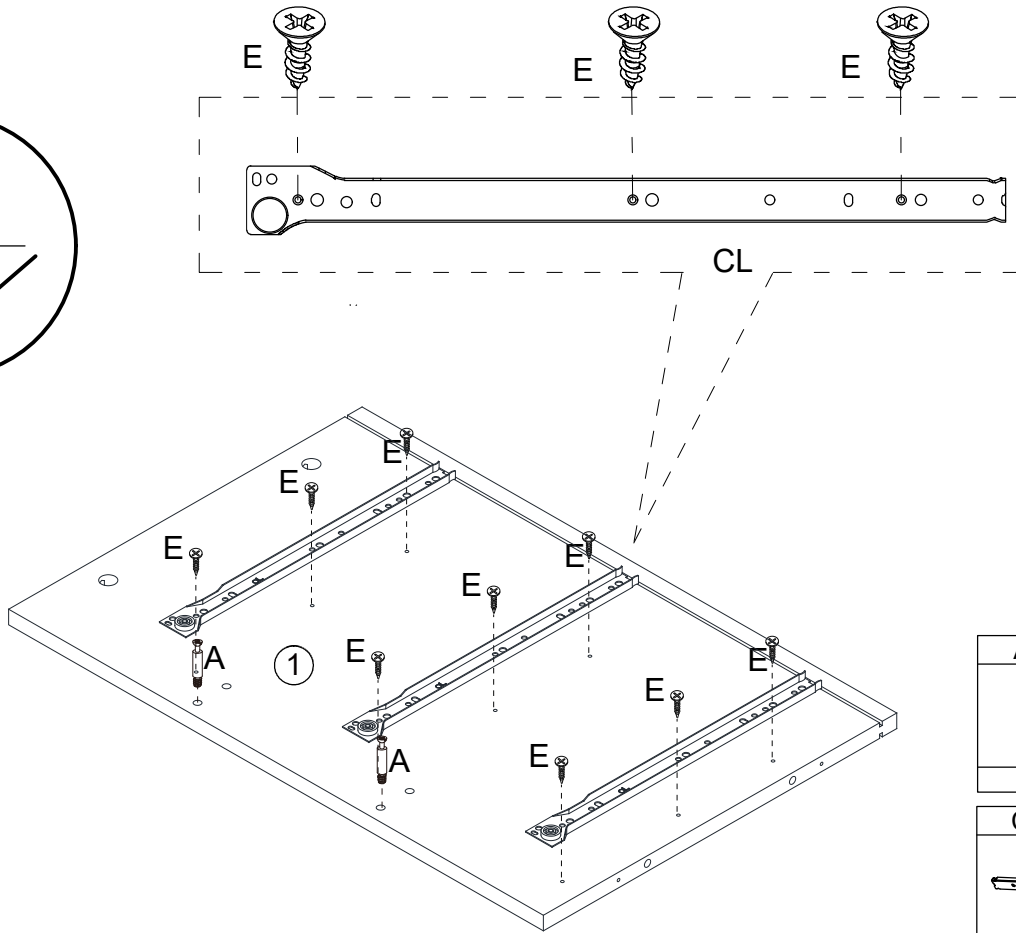
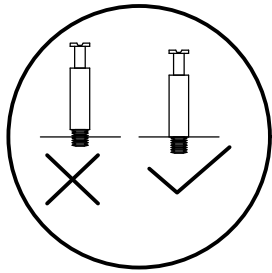
A	x32(+2)	B	x32(+2)	C	x32(+2)	D	x14(+2)	E	x46(+2)	F	x8
											
Ø6x35mm		Ø15x10mm		Ø6x30mm		Ø4x35mm		Ø3.5x12mm		Ø7x50mm	
G	x1	H	x8	I	x8	J	x12	K	x8	L	x12
											
		Ø6x65mm				Ø4x50mm				Ø3x16mm	
M	x4	N	x24	O	x5	P	x2	Q	x2	R	x2
											
		Ø4x14mm						Ø4x14mm			
S	x12	T	x4	U	x4	CL	x3	CR	x3	DL	x3
											
Ø4x16mm						L300mm		L300mm		L300mm	
DR	x3										
											
L300mm											




Please check your package.

Feel free to contact us if parts are missing:[service\\_April@163.com](mailto:service_April@163.com)

Our staff will solve the problem for you at the first time.^^

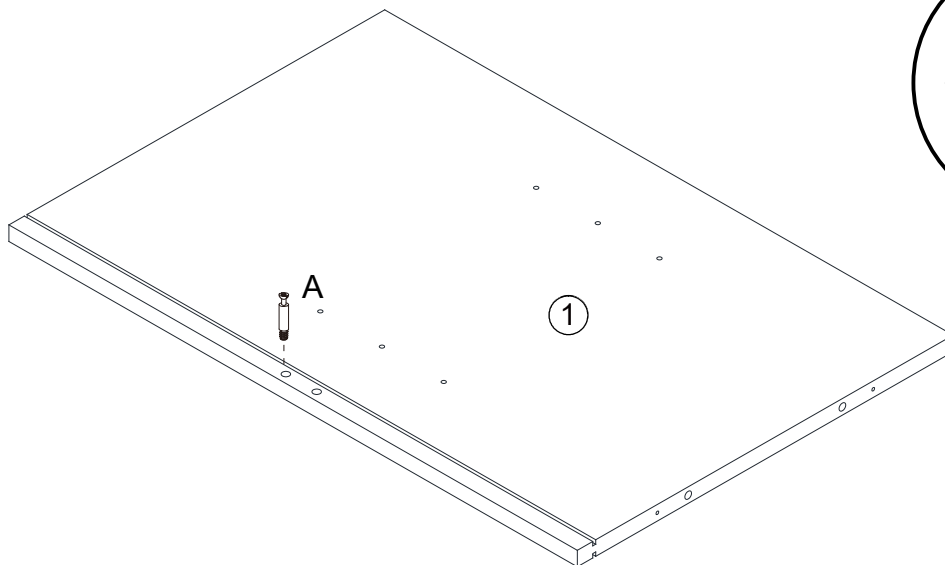
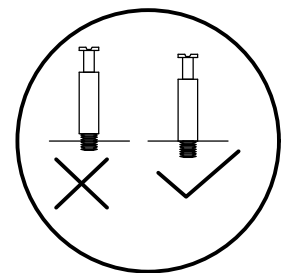
1




A	x2
	
CL	x3
	
L300mm	
E	x9
	

Use E screws (9pcs) to fix CL (3pcs) on the board #1. Screw 2 screws A into the corresponding positions of board #1. (Please refer to the location shown. )  
 Note: Screw in the A screw completely.

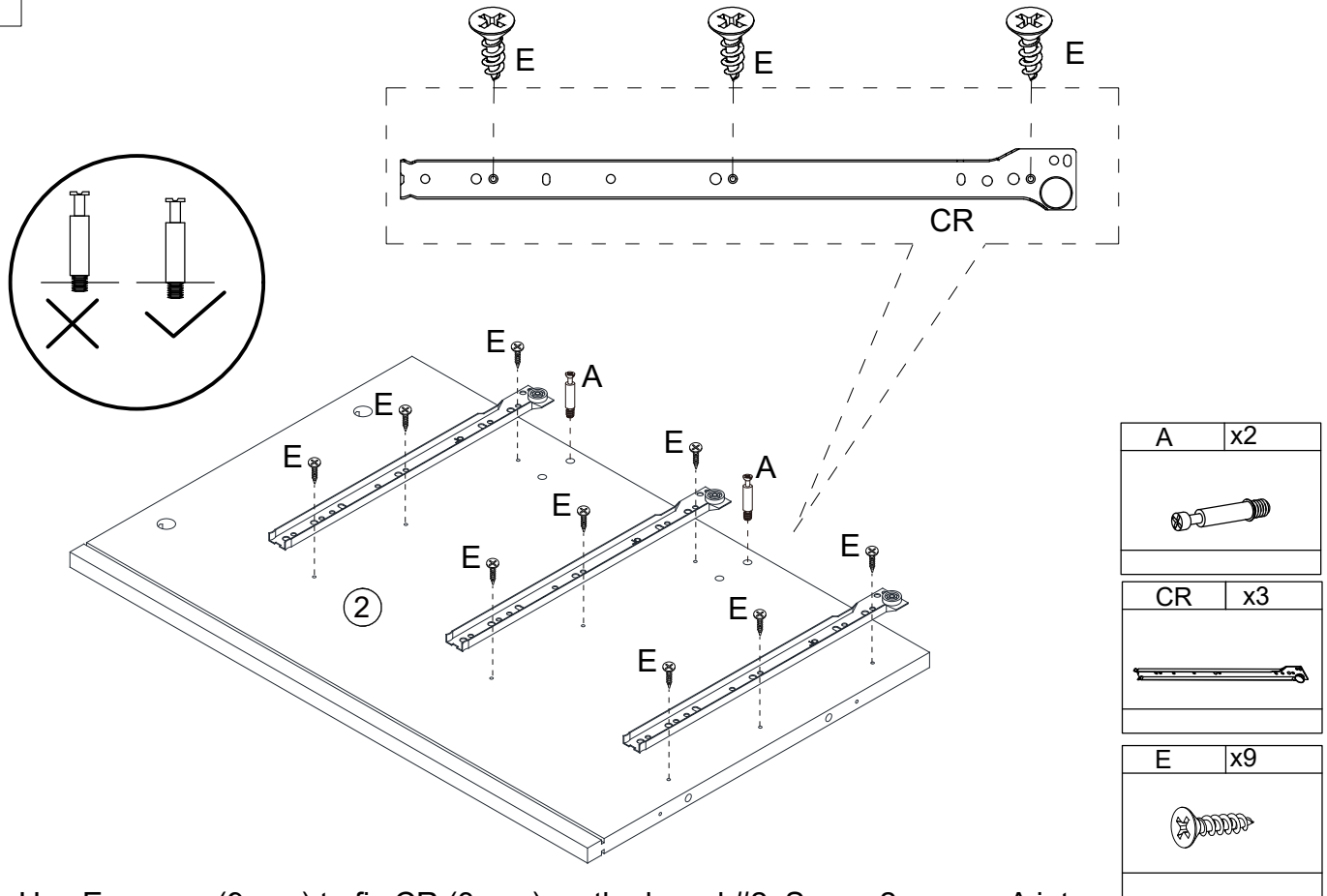
2



A	x1
	

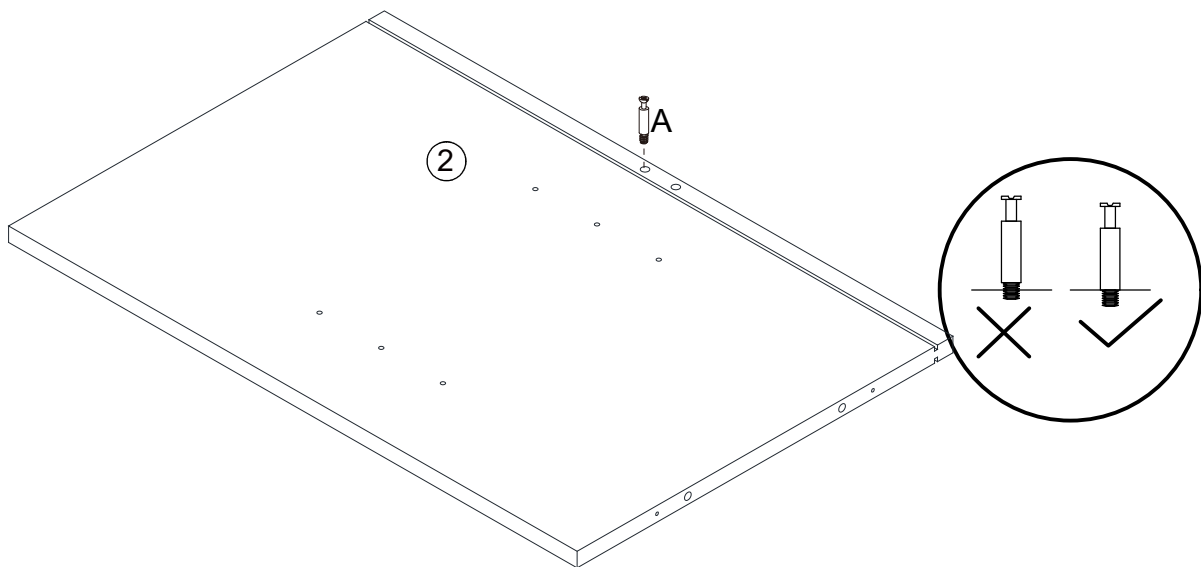
Flip the board #1 upside down and screw A(1 pcs) into the correct position of board #1. (Please refer to the location shown. )

3

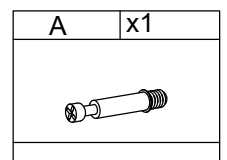


Use E screws (9 pcs) to fix CR (3 pcs) on the board #2. Screw 2 screws A into the board #2. (Please refer to the location shown. ) Note: Screw in the A screw completely.

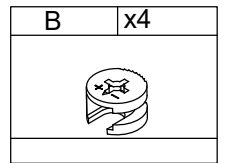
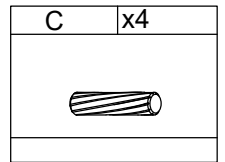
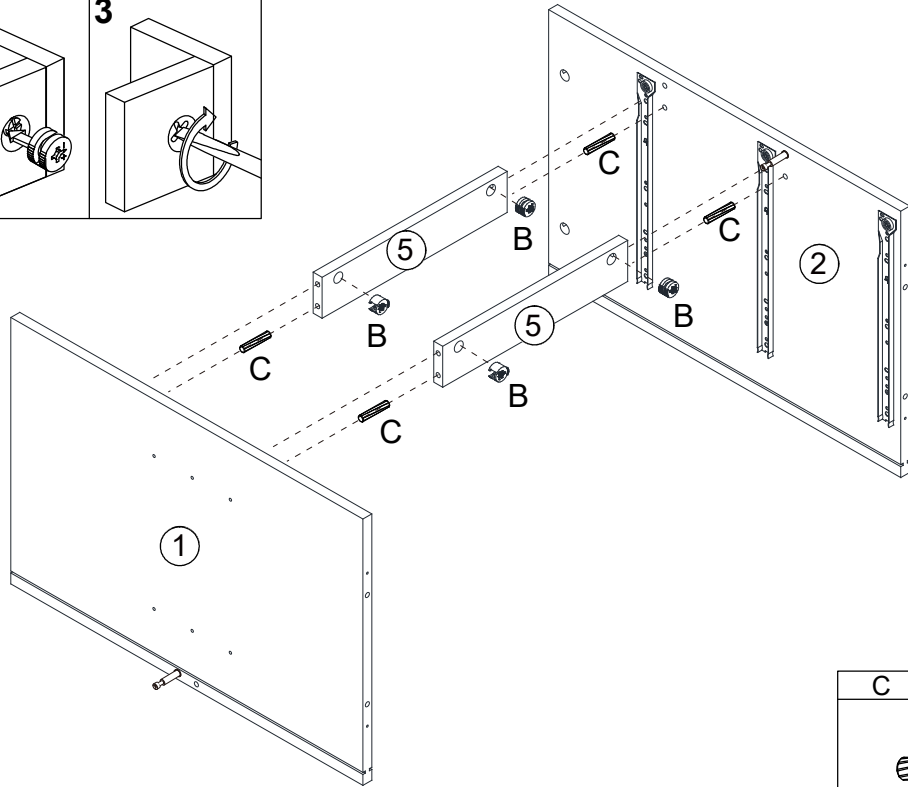
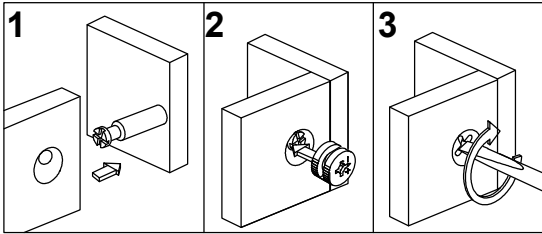
4



Flip the board #2 upside down and screw A(1 pcs) into the correct position of board #2. (Please refer to the location shown. )

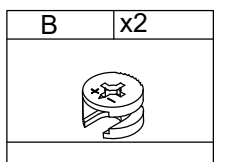
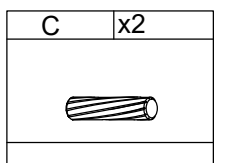
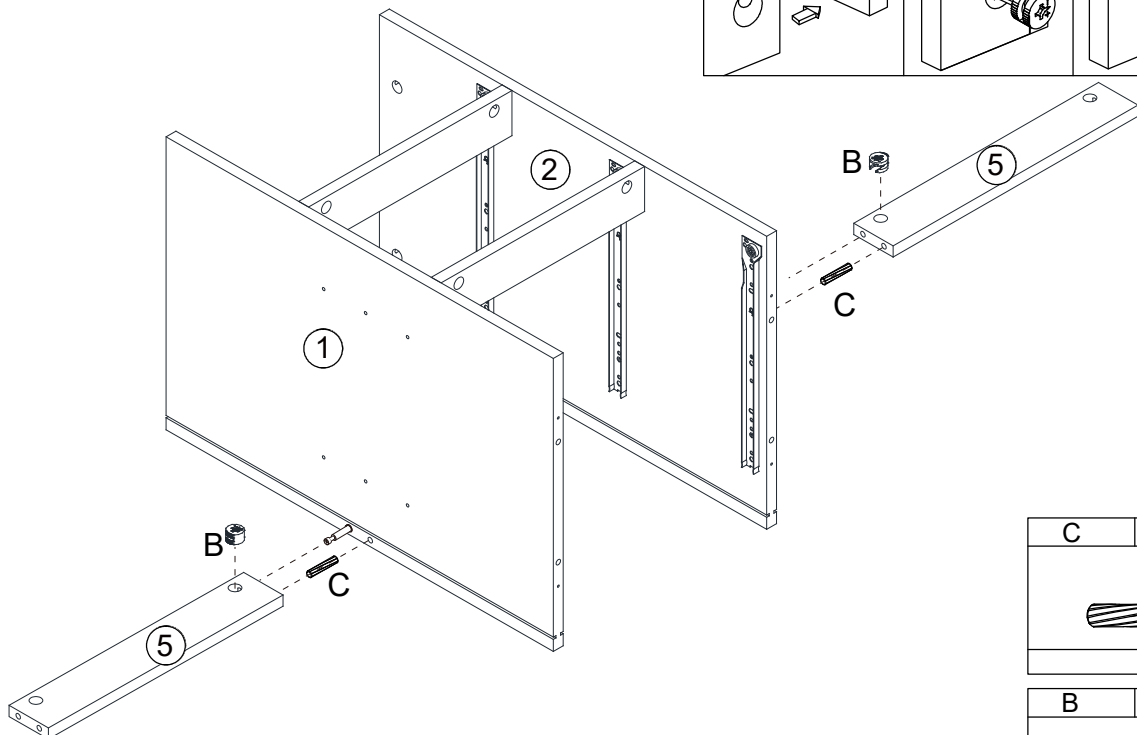
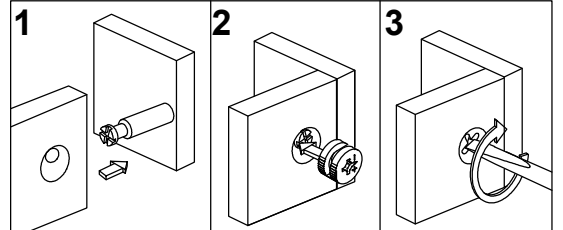


5



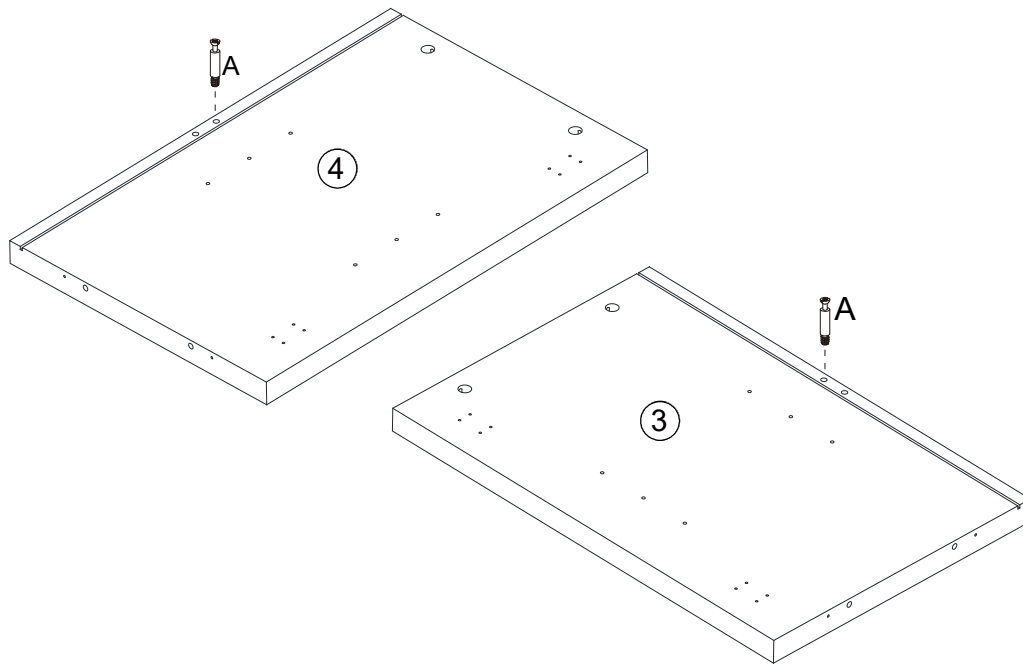
Place the board #1 and board #2 as shown in the figure, then take out two board #5 and connect them: the hole below the side of board #5 is fixed with board #1 and board #2 respectively with C, and the hole above is fixed with board #1 and board #2 respectively with A and B.  
(refer to steps 1, 2 and 3 in the upper right corner).

6

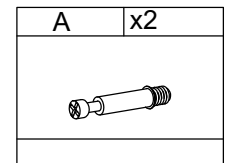


Then take out two board #5, and fix board #5 with board #1 and board #2 with A and B  
【A has been completed in the second and fourth steps, and B is added for fixing  
(refer to Steps 1, 2 and 3 in the upper right corner for the fixing method)】

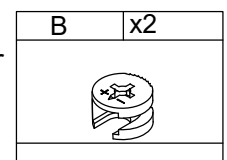
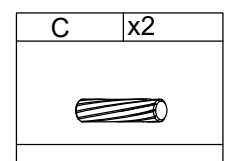
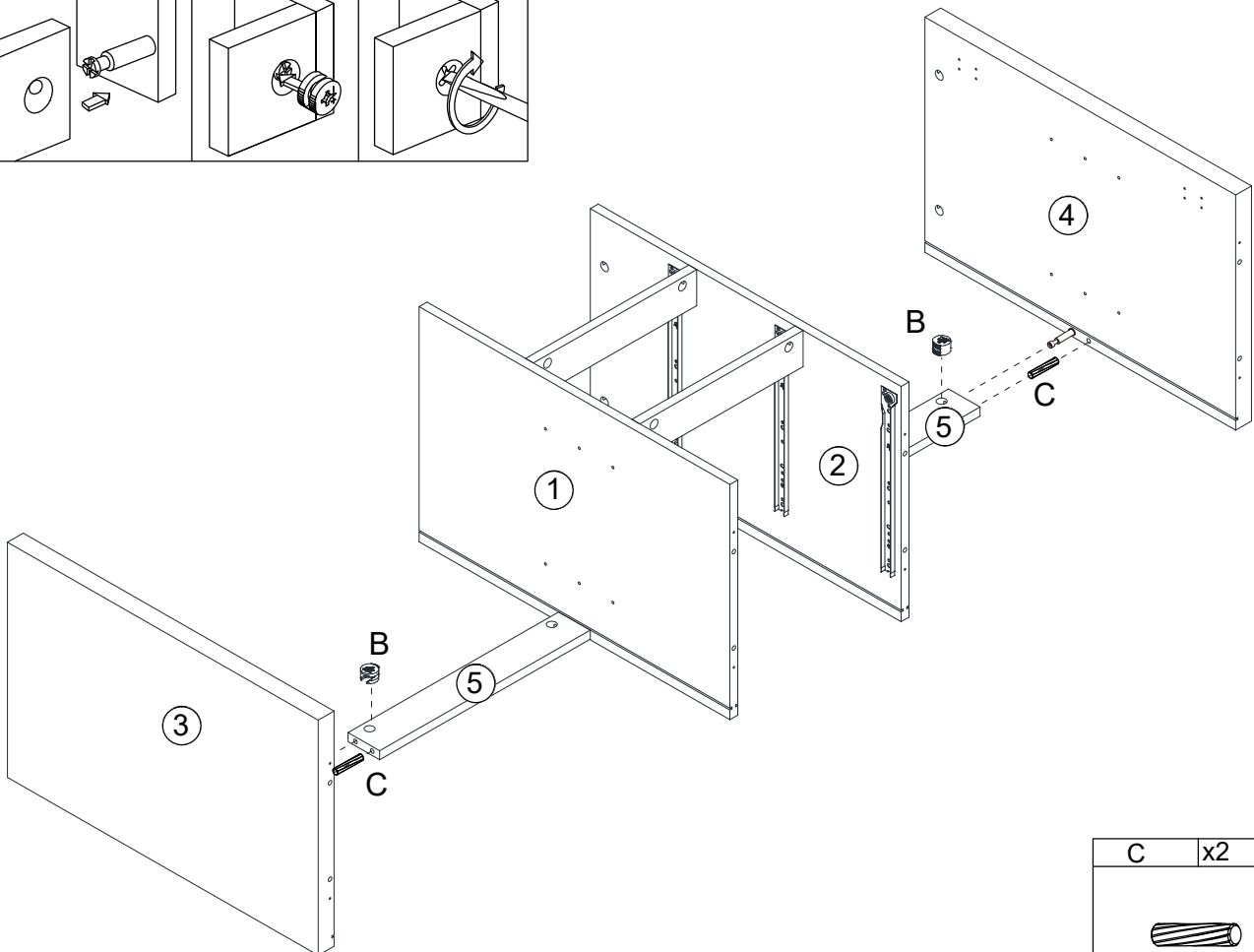
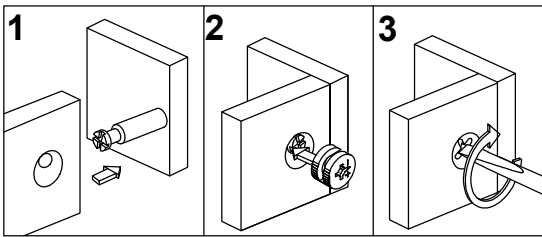
7



Take out board #3 and board #4, and install A as shown in the figure.

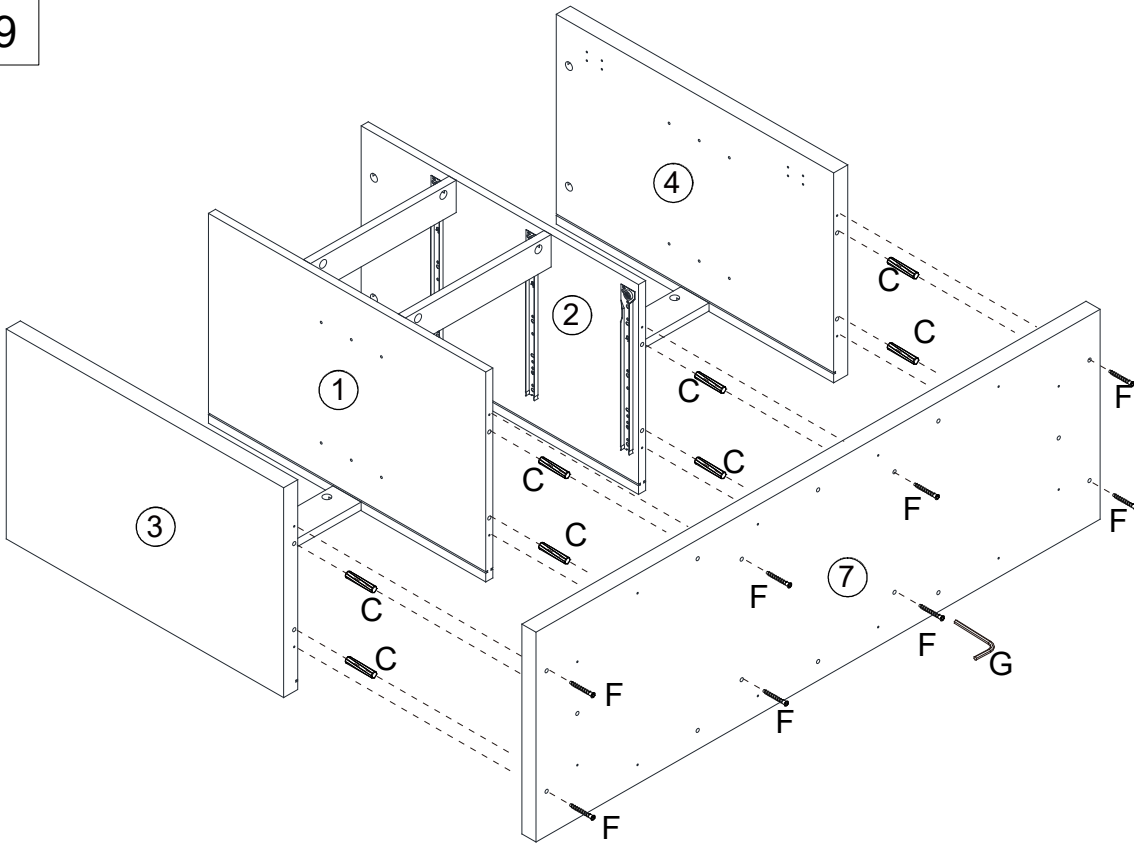


8



Fix the board #5 in step 6 with the board #3 and board #4 in step 7: C is used for the hole below the side of board #5, and A and B are used for the hole above it to fix it with board #4, and the same is true for board #3.

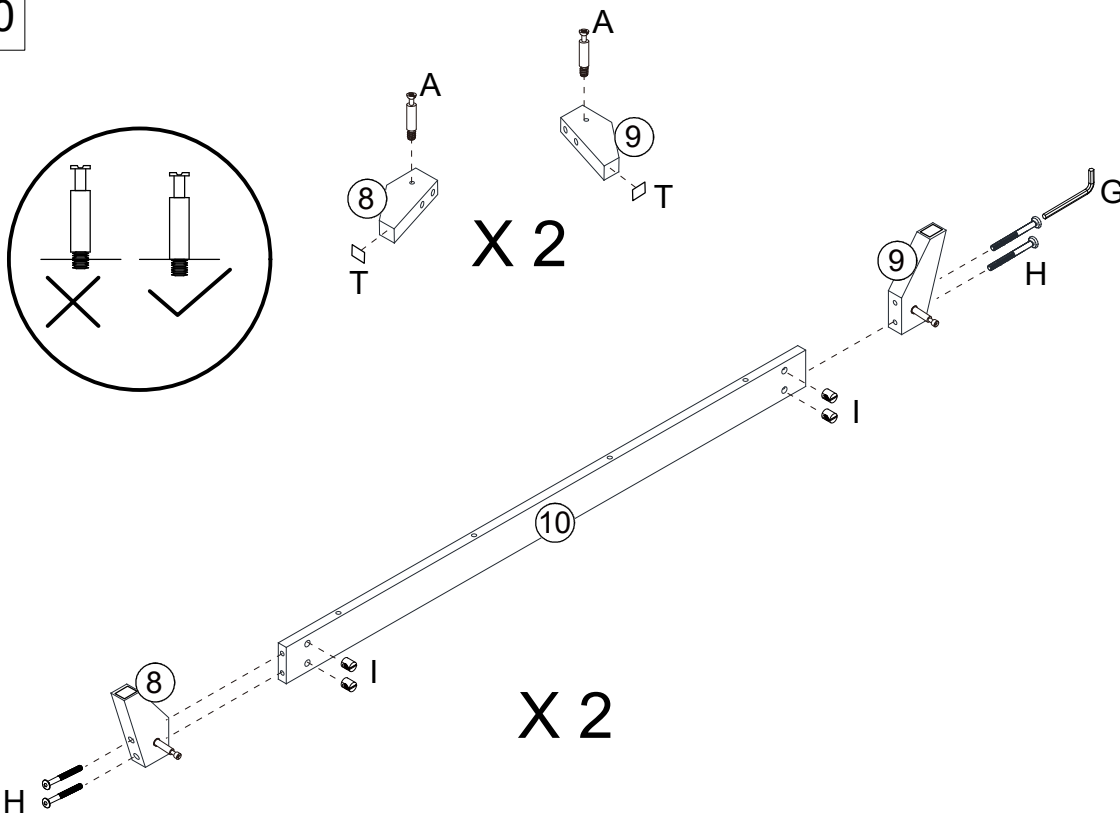
9



Take out board #7: fix it with C and F respectively, and reinforce it with the help of tool G. (As shown in the figure, first insert C into the side hole of board # 1-2-3-4 , then screw F(8 pcs) into the corresponding hole of board #7, and fix it on No.1-2-3-4 plate through board #7.)

G	x1
F	x8
C	x8

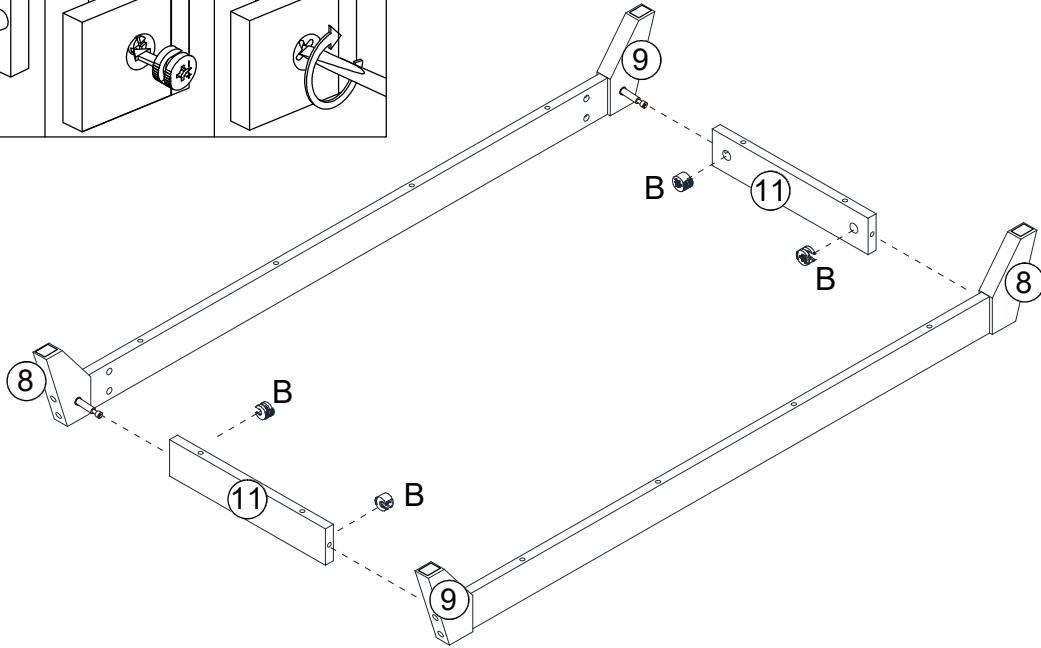
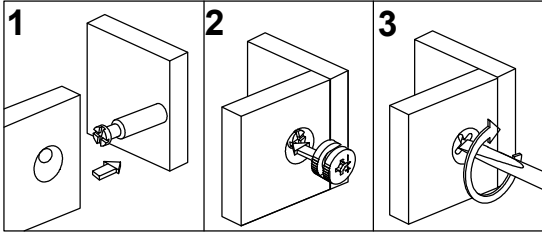
10



Next, install the base support part. Take out board #10 (2pcs), board #8 (2pcs) and board #9 (2pcs), and then fix board #10, board #8 and board #9. First, install A and T on board #8 and 9 respectively according to the position shown in the figure, and fix board #8 and 9 with H, I and board #10 (which can be reinforced by means of tool G), and install another one in the same way.

A	x4
G	x1
H	x8
I	x8
T	x4

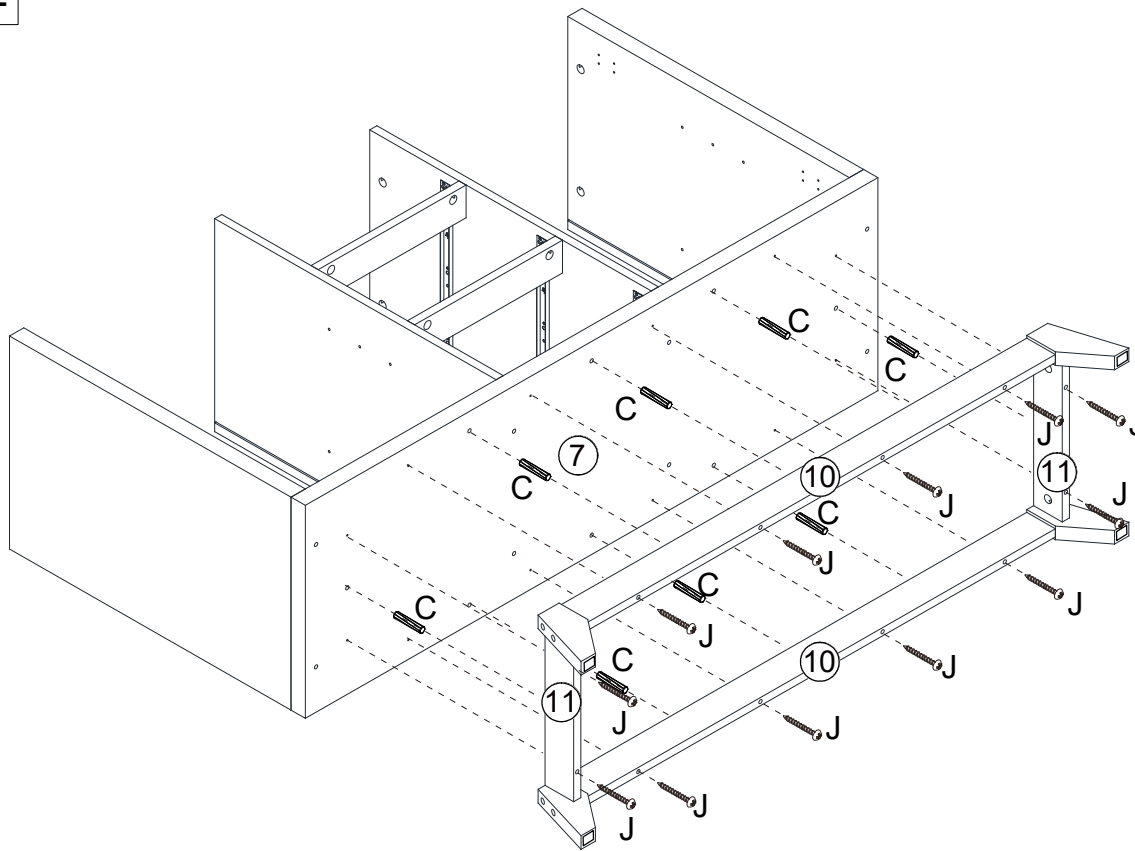
11



Take out board #11 (2 boards): board #11 is respectively fixed with board #8, and A in board #9 is fixed with B. (according to steps 1, 2 and 3 in the upper right corner).

B	x4

12

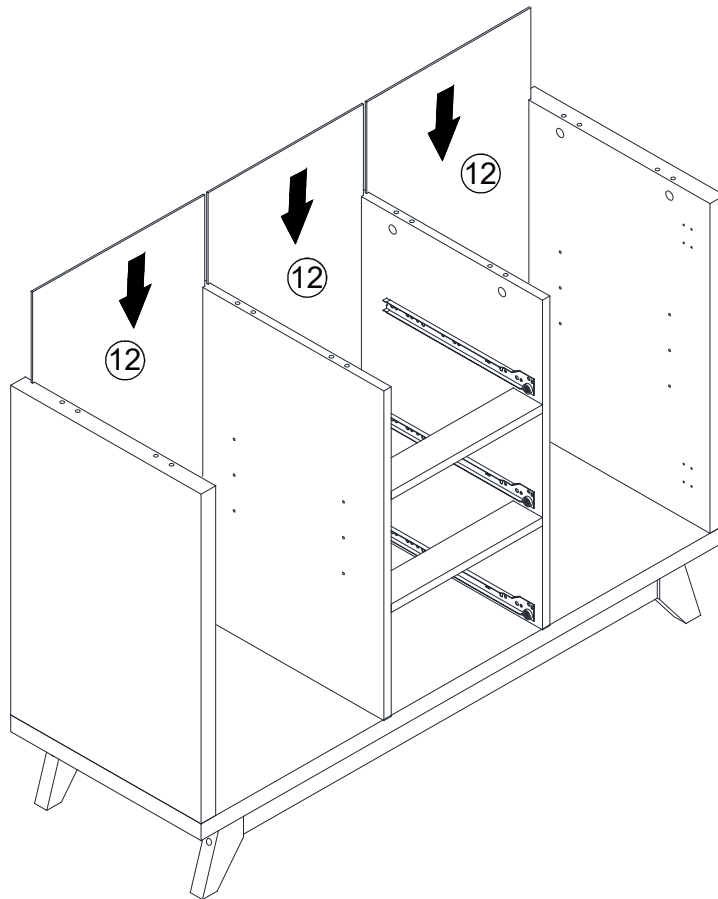


C	x8

J	x12

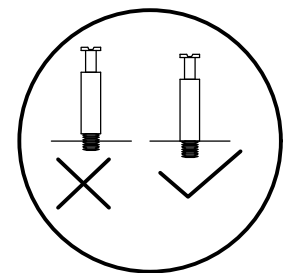
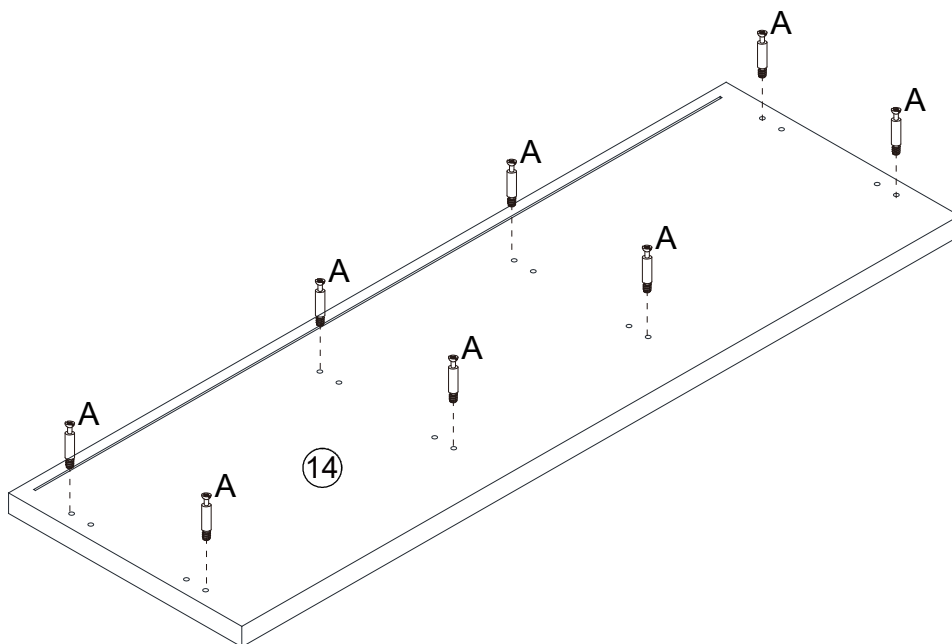
Next, connect and fix the base and the cabinet. First, insert C(8 pcs) into the corresponding holes of board #7 according to the position shown in the figure, and then screw J(12 pcs) into the corresponding position of the base according to the position shown in the figure and fix it on board #7.

13

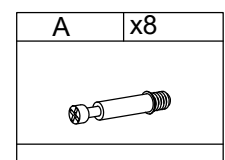


Take out the board #12 (3 pcs) and insert the board #12 into the middle of the corresponding grooves of board #1, board #2, board #3 and board #4 board as shown in the figure.

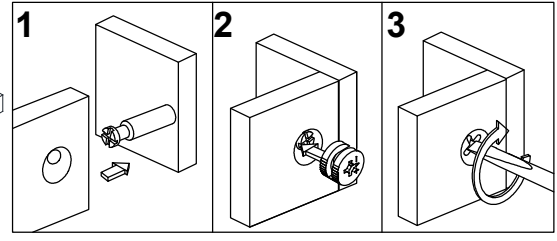
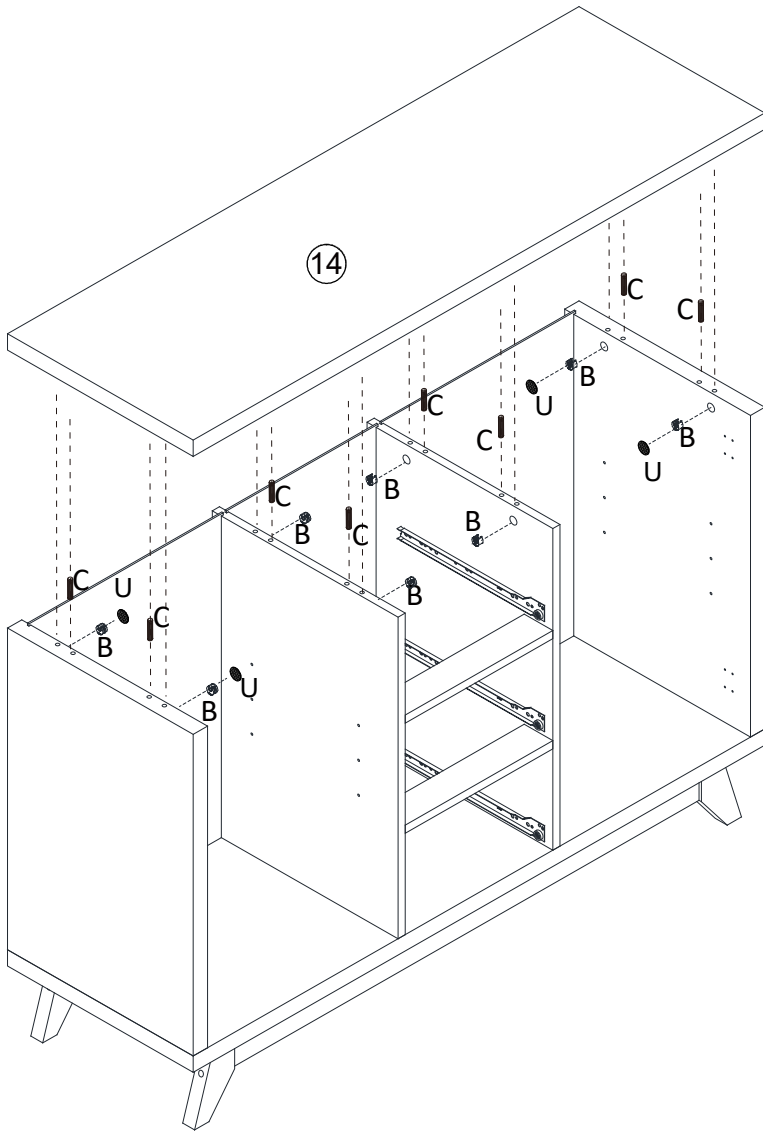
14



Next, install the top of the cabinet  
Take out board #14 board and screw A (8pcs) into the corresponding hole of board #14 board, paying attention to the hole on the side.  
(Refer to the position shown in the illustration).



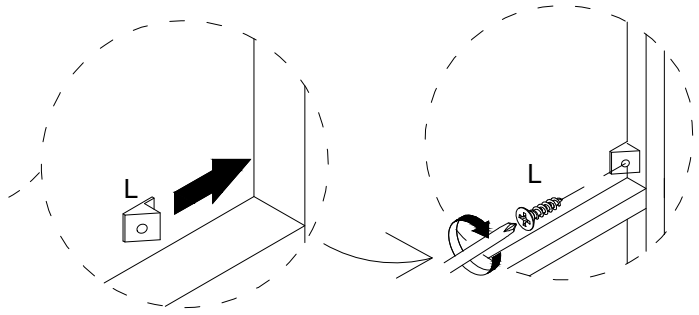
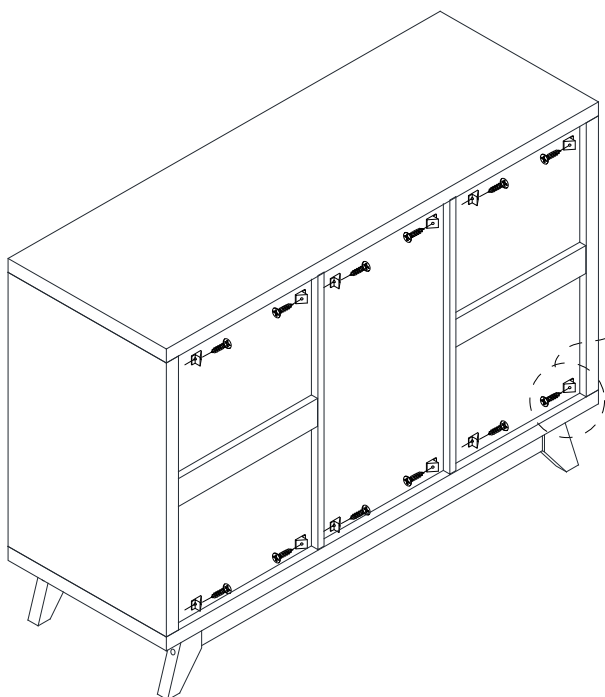
15



B	x8
C	x8
U	x4

Assemble the board #14 (Connect and fix the desktop board and the cabinet). First, insert 8pcs C into the corresponding positions. Then A on board #14 is fixed with holes on board #1, board #2, board #3 and board #4 with B (refer to the upper right corner for specific fixing method), and the remaining holes on board #14 are reinforced with C and board #1, board #2, board #3 and board #4.

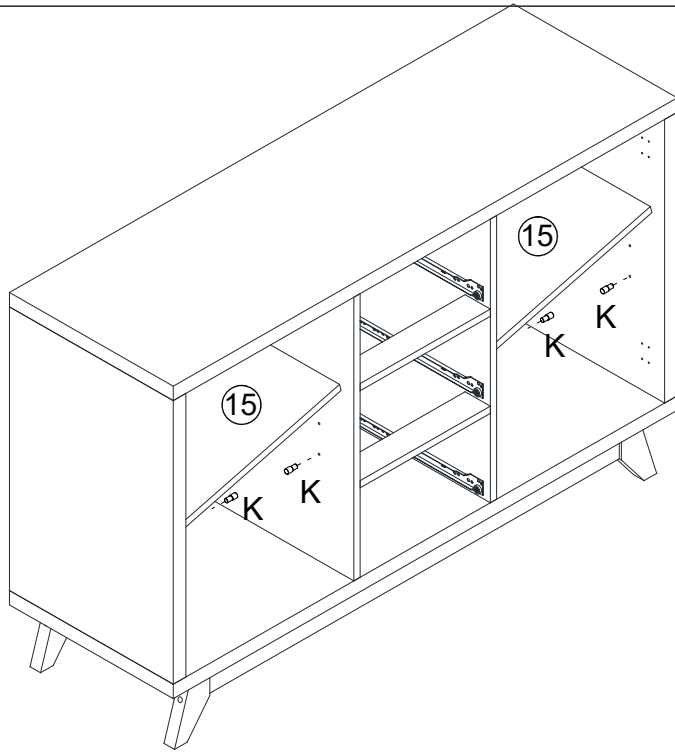
16




L	x12

Next, come to the back of the cabinet. Reinforce the board #12 and the cabinet with L (12pcs).

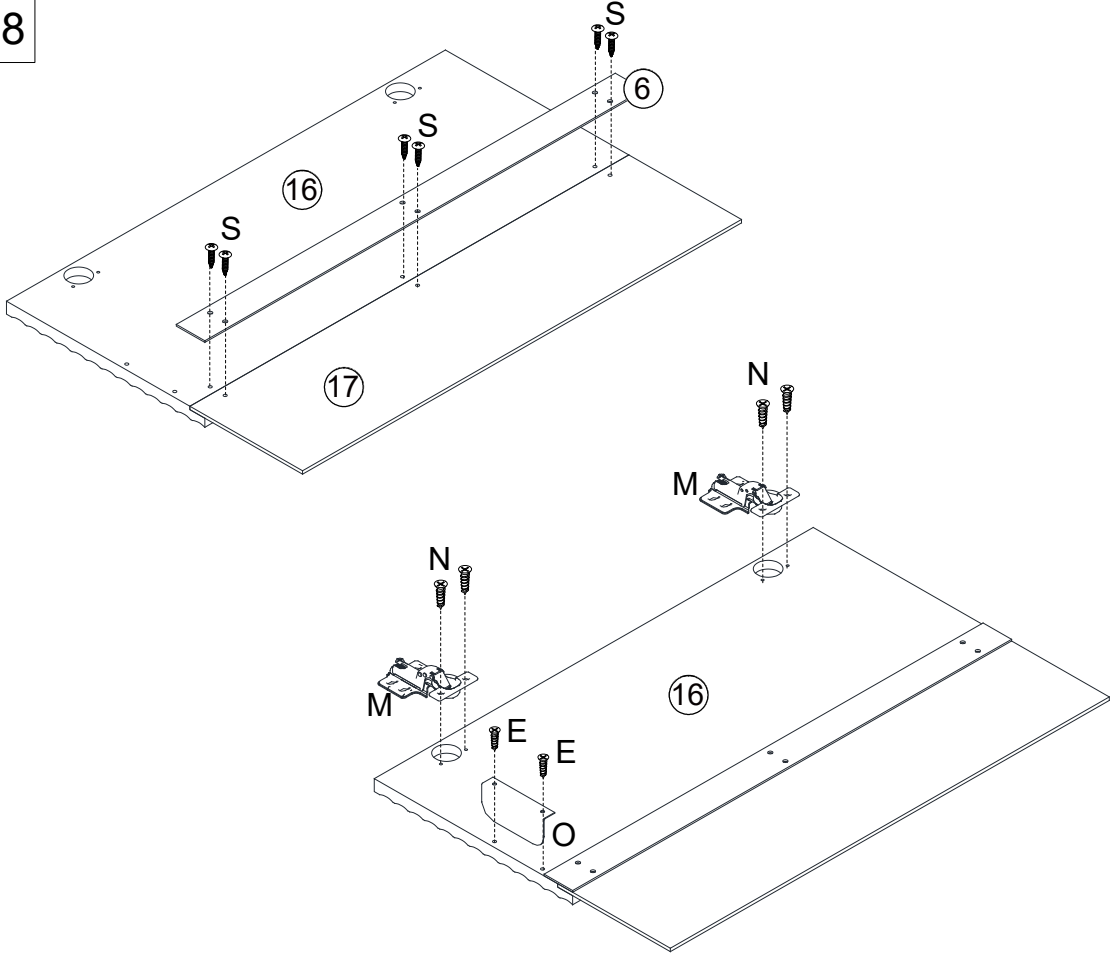
17





K	x8
	


Insert K (8pcs) in the corresponding positions of board #1, board #2, board #3 and board #4 , and then put board #15- Note that the side with edge sealing faces outwards. (Refer to the position shown in the illustration).


18




E	x2
	

S	x6
	

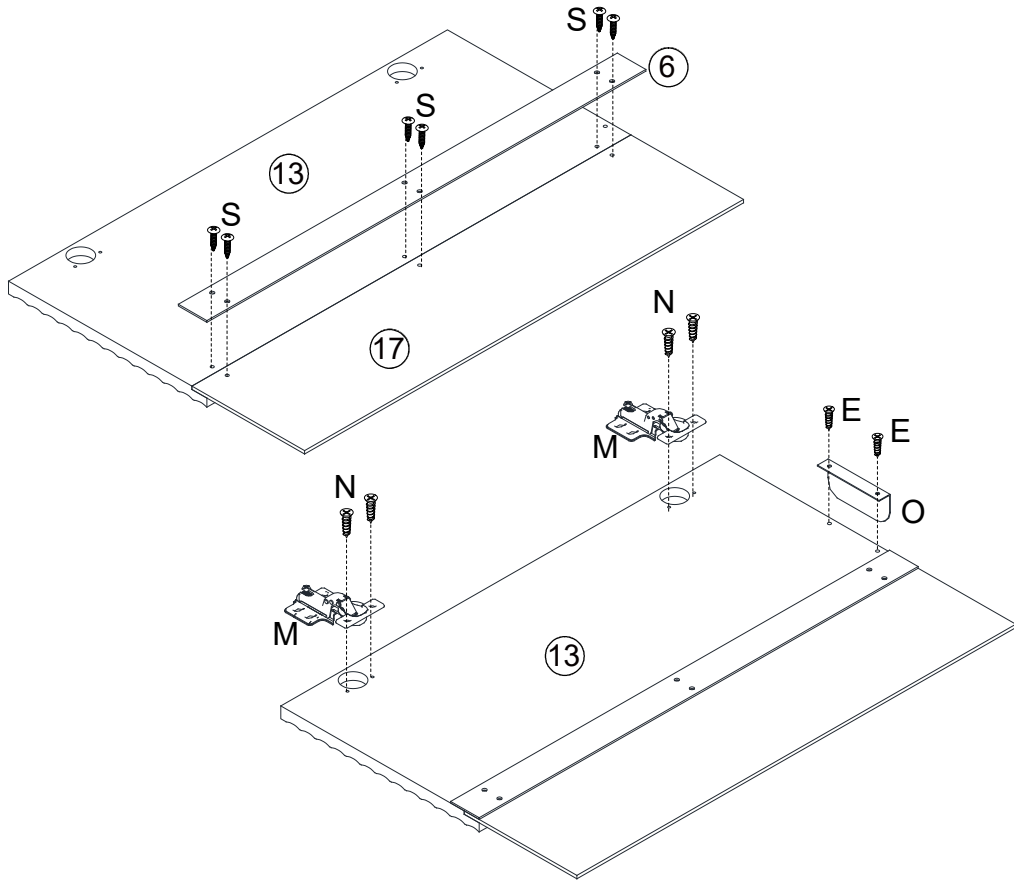
O	x1
	






M	x2
	

N	x4
	

Next, assemble the cabinet door. Fix board #16 and board #17 with S(6pcs) through board #6, M(2pcs) through N(4pcs) at the position of board #16 hole (Refer to the position shown in the illustration.), and O through E(2pcs) at board #16 .

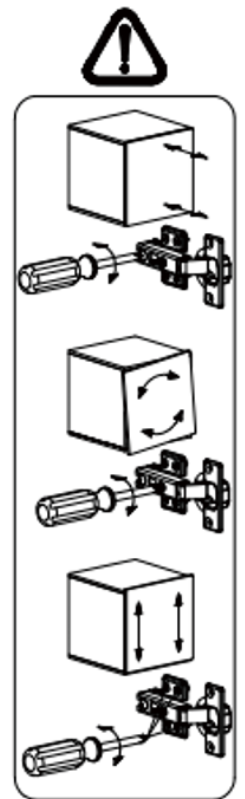
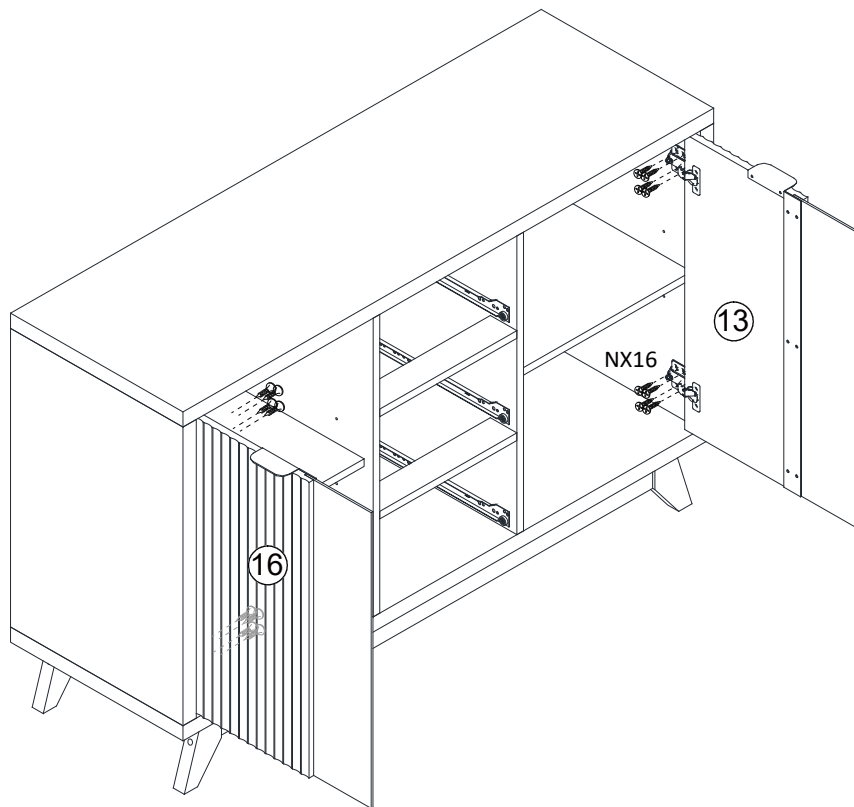
19




S	x6
	
E	x2
	
O	x1
	
M	x2
	
N	x4
	

Similarly, fix the board #13 and board #17 with S(6pca) through the board #6, install M(2pcs) through N(4pcs) at the punching position of board #13, and install O through E(2pcs) at the corresponding position (Refer to the position shown in the illustration.).

20

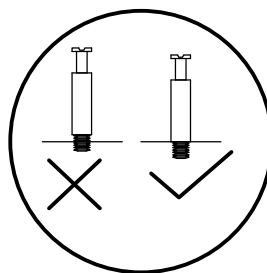
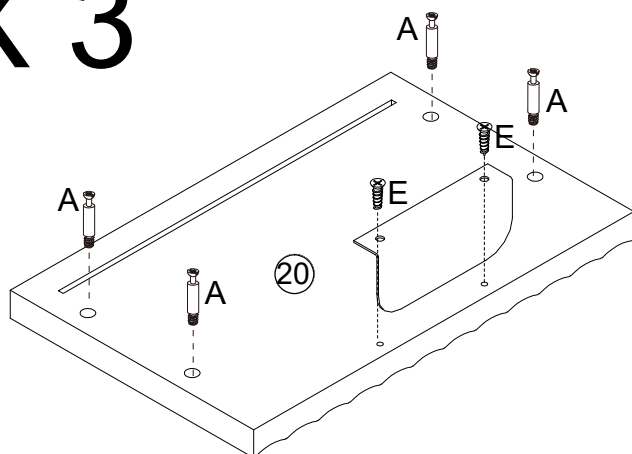


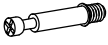


N	x16
	

Assemble the installed cabinet door with the whole. Assemble board #13 and board #16 plate with N(16 pcs) (Refer to the position shown in the illustration.).

21

X 3



A	x12
	
E	x6
	
L	x3
	

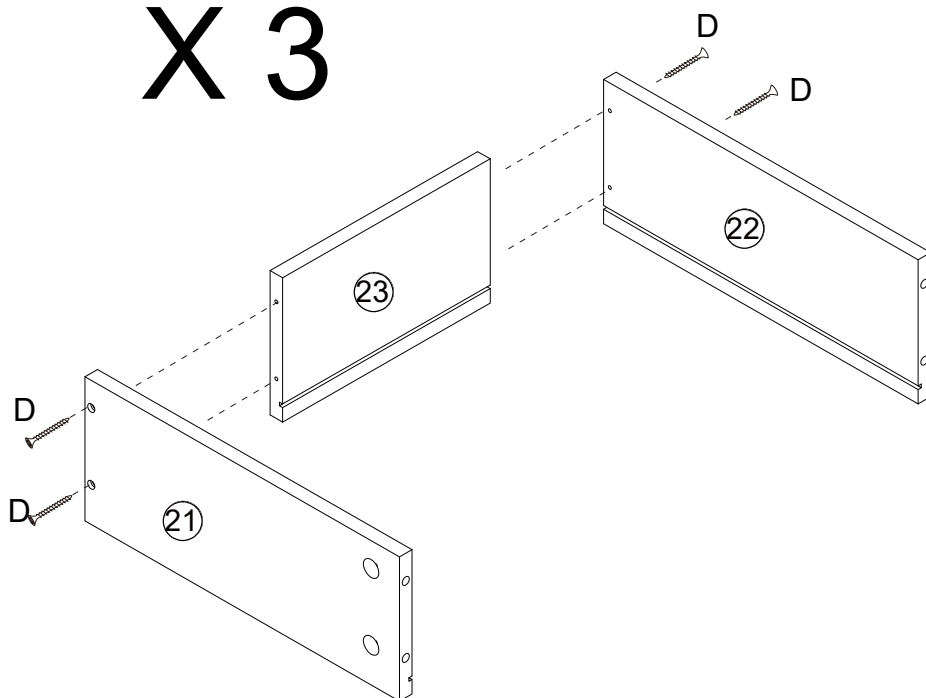
Next, assemble the drawers (3 drawers)


Take out the board #20, insert A(4pcs) into the holes on the left and right sides, and insert L into the corresponding holes with E(2pcs) (Refer to the position shown in the illustration).

In the same way, it is necessary to complete the extraction of three drawers.

22

X 3

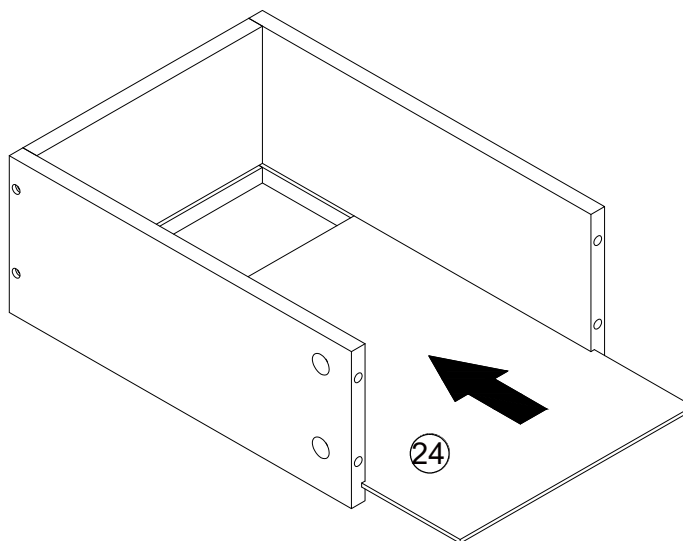


D	x12
	

Assemble the board #21, board #22 and board #23 with D(4pcs) , D Screw in No.21-No.22 plate and fix it on No.23 plate through the same steps. (Refer to the position shown in the illustration.).

23

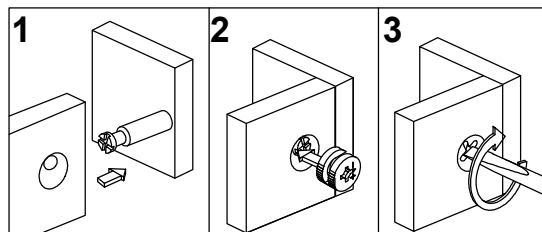
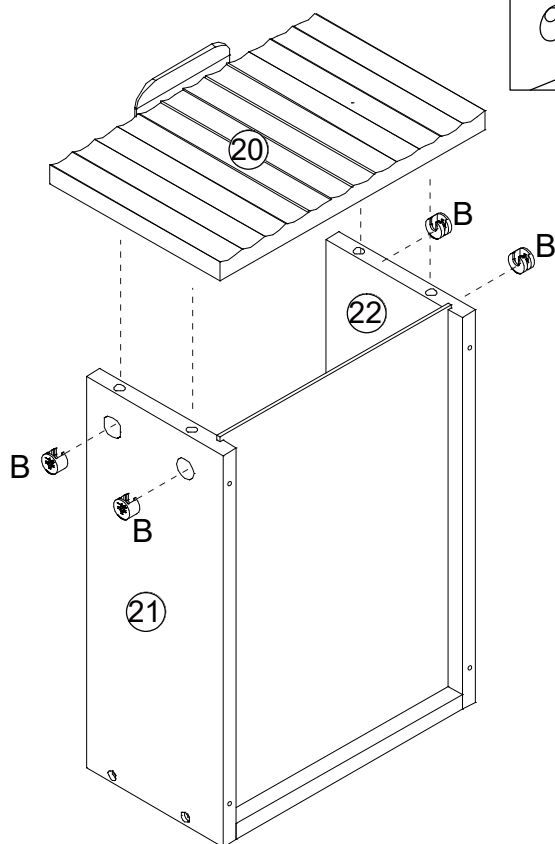
X 3



Insert board #24 into the corresponding grooves of board #21, board #22 and board #23 (Refer to the position shown in the illustration). Complete three in the same way.

24

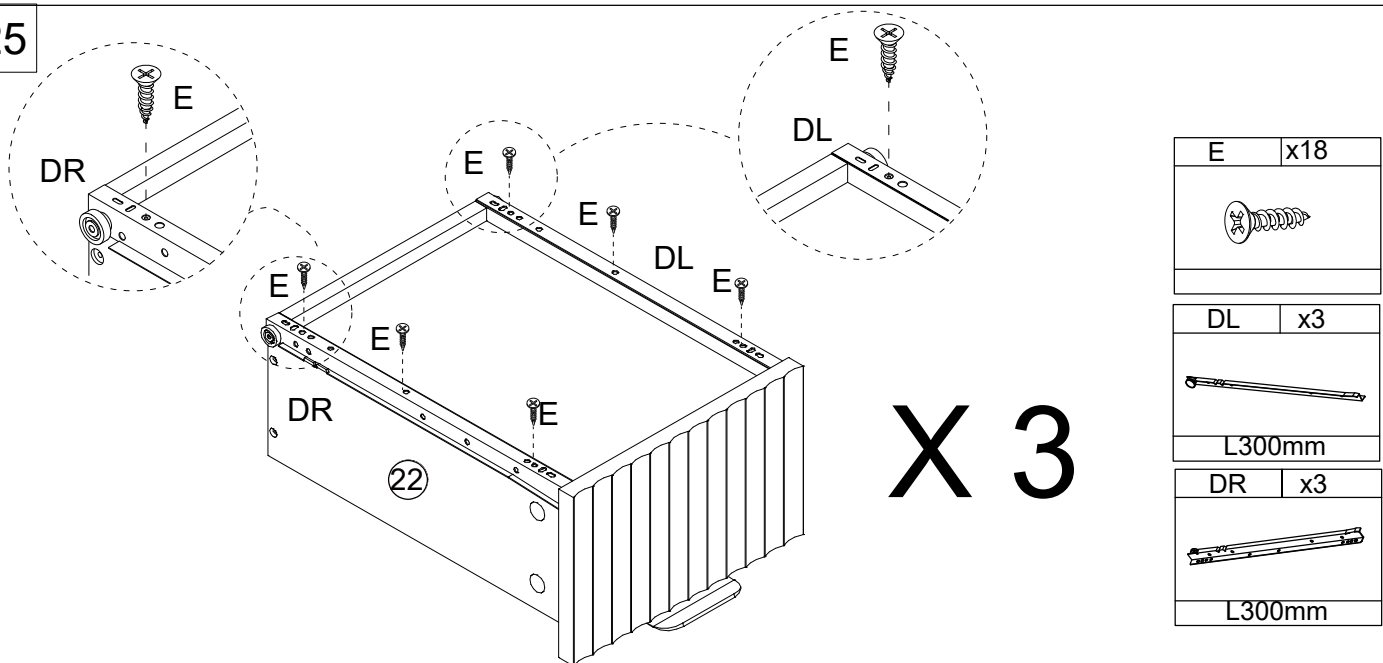
X 3



B	x12

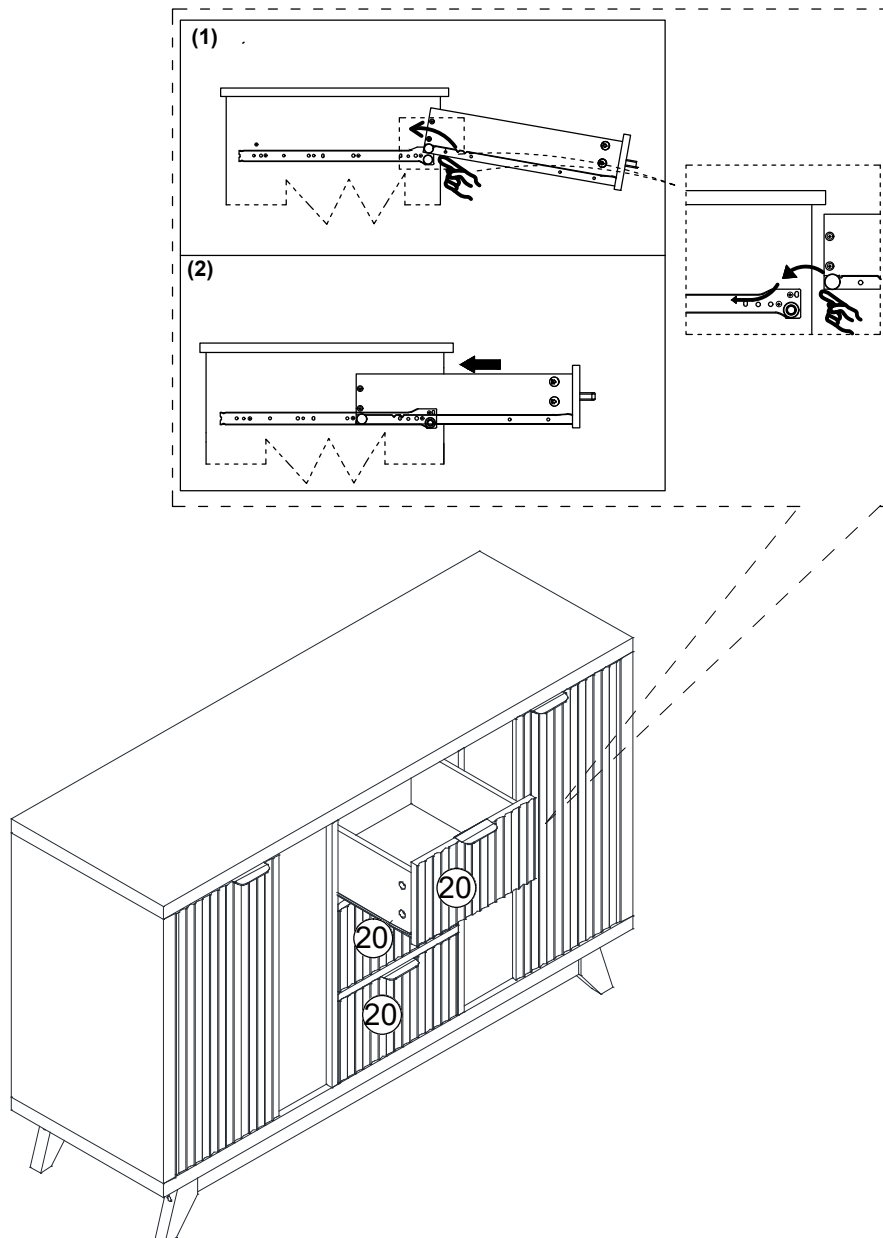
Next, assemble the board #20, board #21 and board #22. A on board #20 is assembled with board #21 and board #22 with B respectively (Refer to the position shown in the illustration.), thus completing the assembly of three drawers.

25

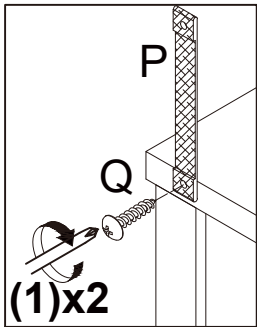


Install the guide rails at the bottom of the drawer. The guide rails (DL on the left and DR on the right) are respectively aligned with the embedded holes at the bottom of the drawer and fixed with E(6pcs) to complete three drawers.

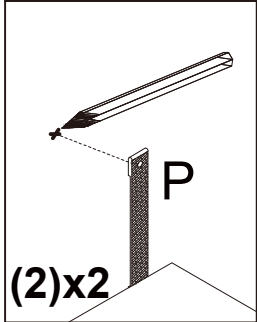
26



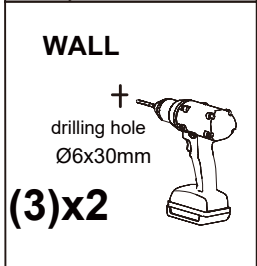
Put the installed drawer into the cabinet according to the diagram.



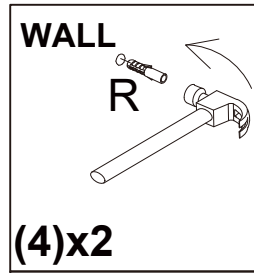
First fix the anti-rewind hole of the product. screw in the reserved



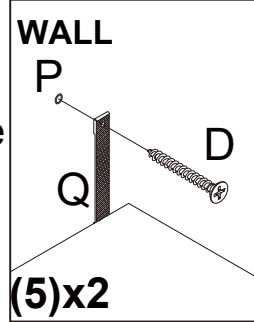
then, use a ruler to measure the approximate height of the product on the wall, and then mark it with a pen.



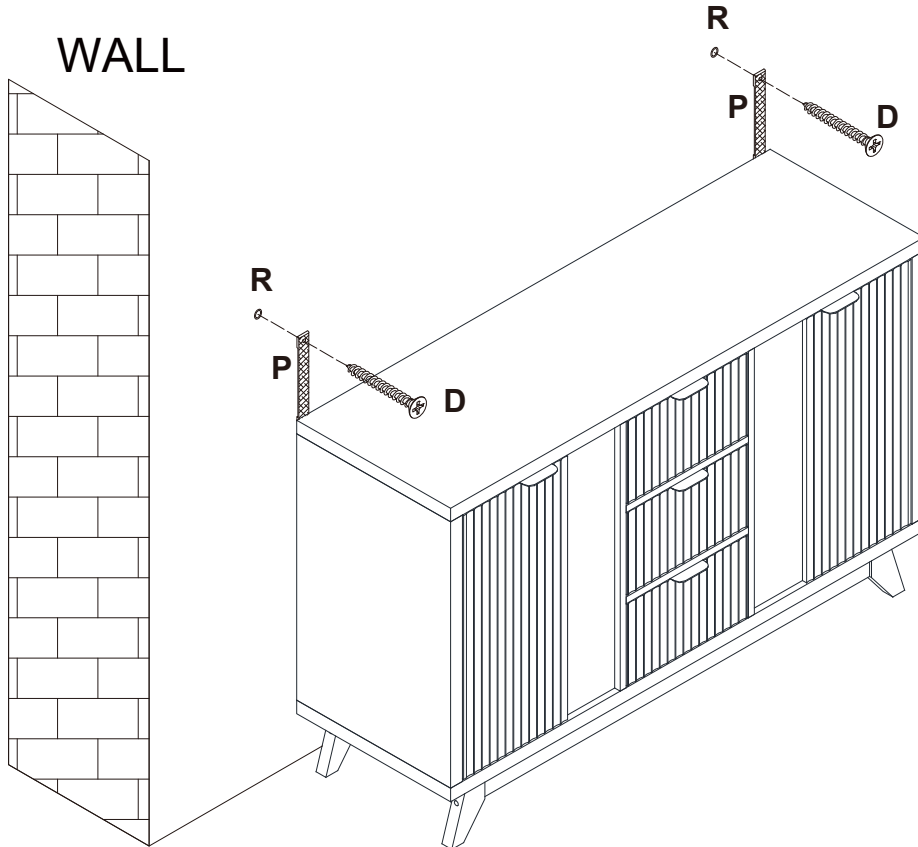
Then use a tape drill to make holes in the wall that are suitable for the product screws.



Then, put the expansion bolt into the hole



Finally, pass the matching screws through the "anti-rewind" and tighten them to fix them on the wall.



P	x2
Q	x2
R	x2
D	x2

# Thank You!

## For Your Purchase

---


Dear Customer,  
Thank you for your recent order,  
Now that you have got a finished Sideboard, hurry up and put it to use! Each customer enjoys a one-year warranty. Once the warranty is activated, we promise to provide you with a risk-free experience during the warranty period. You are particularly welcome to share your feeling on Amazon.  
Have a wonderful day!

### Contact us to unlock benefits

- ✓ Activating the One-year Warranty
- ✓ Viewing the Installation Video
- ✓ Getting a \$5-\$15 Gift Card / Salt Lamp
- ✓ Joining the New Product Trial Program

---

Please kindly contact us in time if you need customer service.

 +1 7402568754

 [service\\_April@163.com](mailto:service_April@163.com)

Thanks again for your purchasing!