

ASSEMBLY INSTRUCTIONS



CAUTION

- ◆ Inspect the wire insulation for any cuts, abrasions, or exposed copper that may have resulted during shipping. If there is a defect in the wire, do not attempt installation.
- ◆ Before starting installation of this fixture or removal of a previous fixture, disconnect the power by turning off the circuit breaker or by removing the fuse at the fuse box.

TOOLS REQUIRED



Ladder

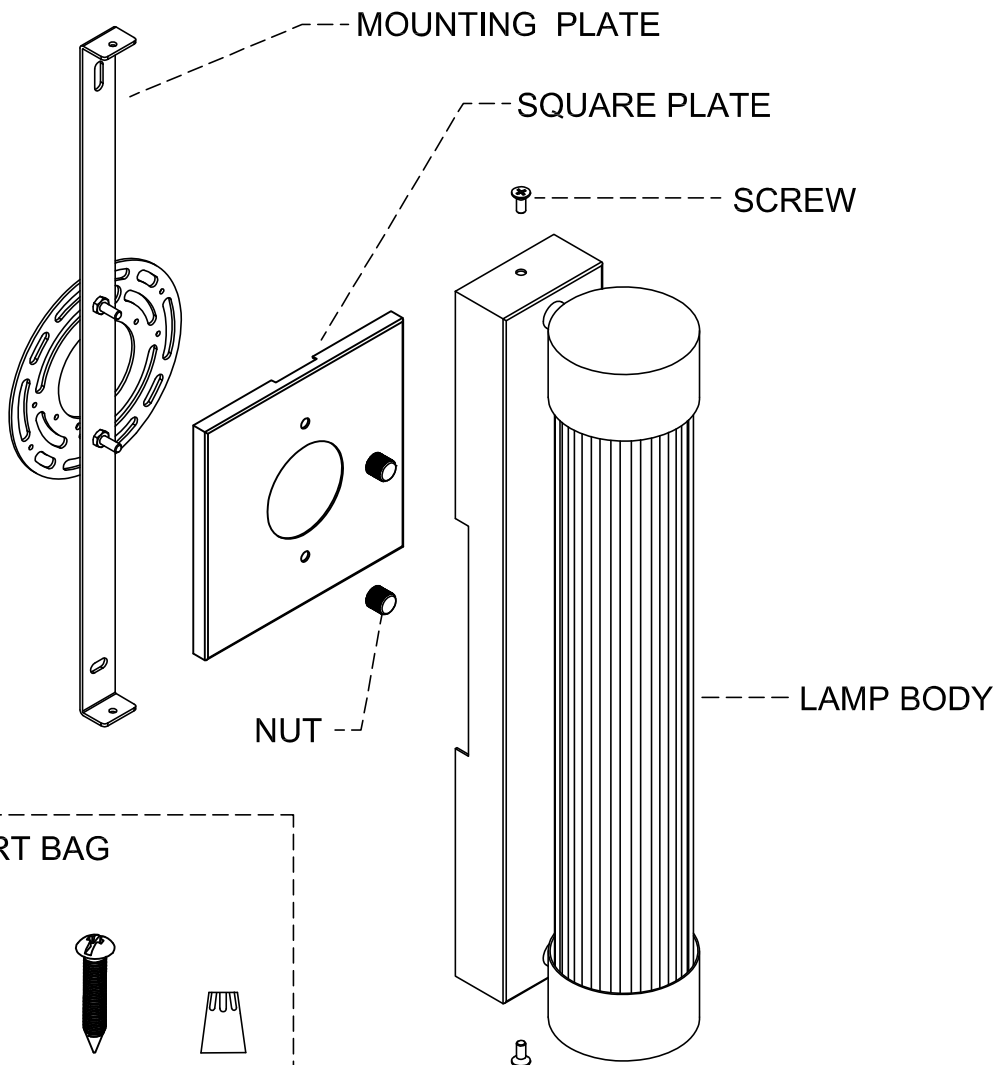


Safety
glasses

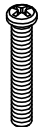


Phillips
screwdriver

PARTS SHOWN MAY DIFFER SLIGHTLY PER LIGHT FIXTURE



PART BAG



X2



X2

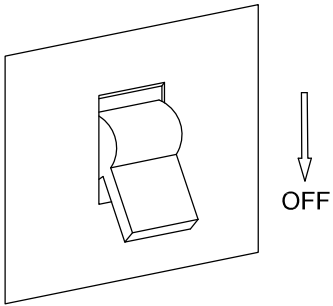


X2

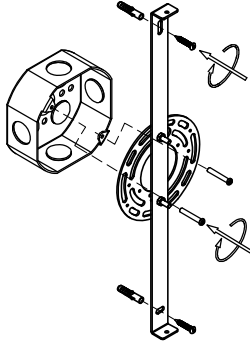


X3

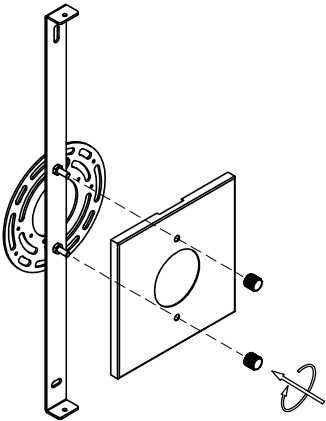
Step 1
Power off



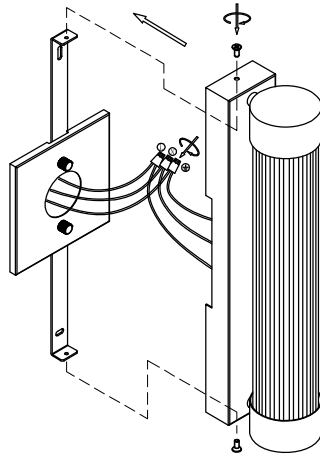
Step 2
Use the mounting screws to attach the mounting strip to the junction box(not included).



Step 3
Use the nut to attach the square plate to the junction box(not included).



Step 4
Connect the wire.
Attach the sconce to the mounting strip.



SCONCE

