

**NOTE:**

The instruction booklet contains **IMPORTANT** safety information. Please read and keep for future reference.



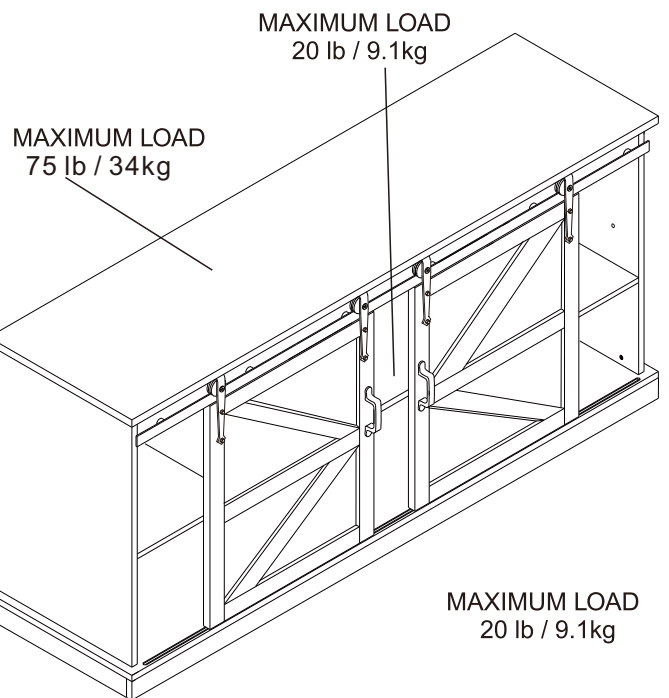
Estimated Time for Assembly

**120 mins**



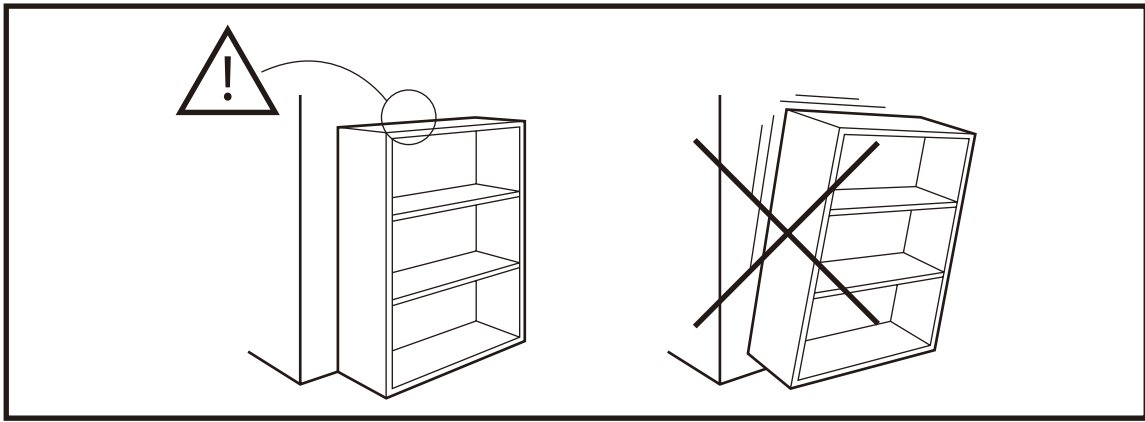
Weight Limitation

**20 lb** Shelf **75 lb** Top



Tools Needed (Not included)

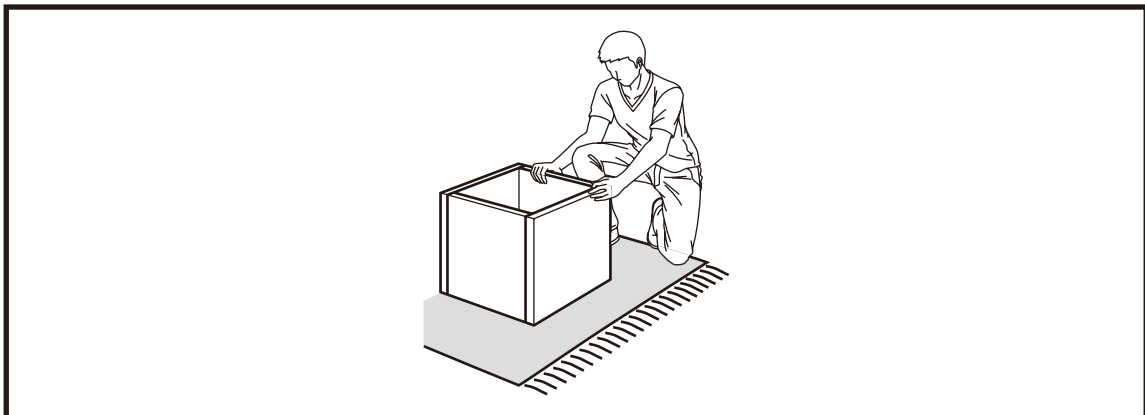




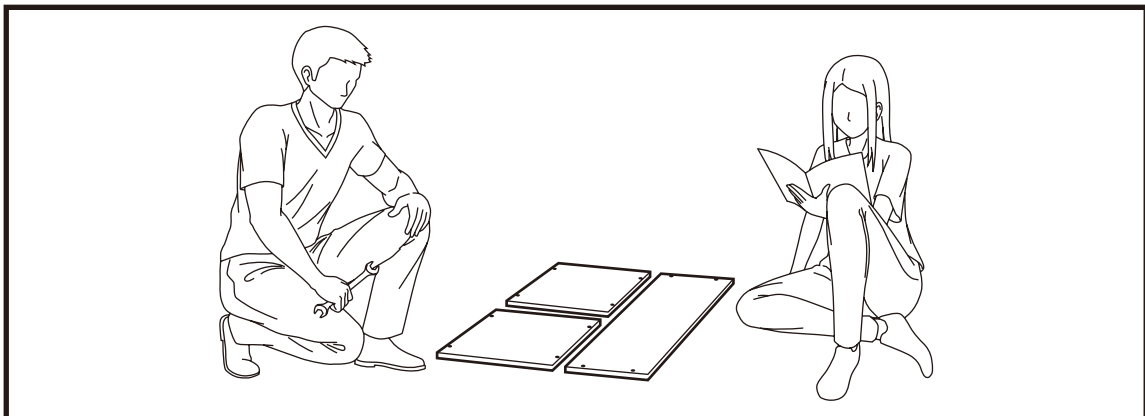
## Warning

Serious or fatal crushing injuries may occur if the furniture tip-over. Furniture must permanently fixed to the wall with included anti-tipping device to prevent the furniture from tipping over.

Different wall materials requires different types of fixing device, Use suitable fixing device to secure the stability and load bearing capacity of the furniture. If you are uncertain about which type of fixing device to use, please contact your local hardware store.



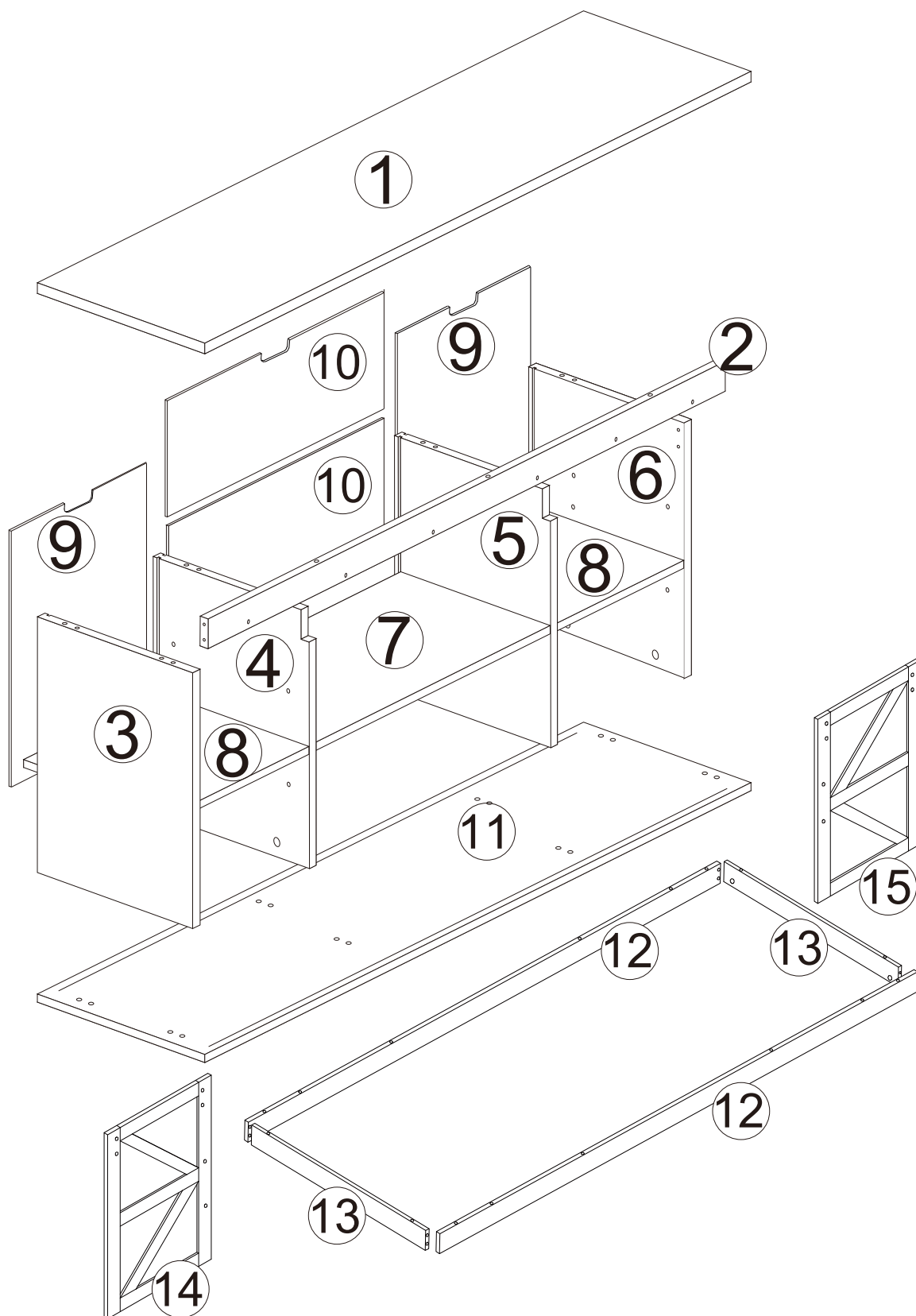
Assembly the furniture on empty carton, carpet, or rug to prevent scratches or damage.



This furniture requires 2 people to assembly.

Make sure no parts are missing or damaged before assembly.

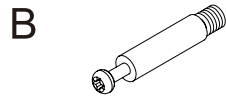
# PACKAGE CONTENT



# PACKAGE CONTENT



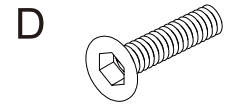
26x



26x

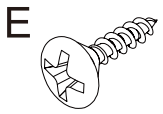


33x



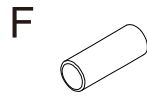
14x

4

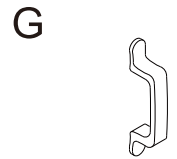


M4x12mm

4x



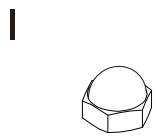
8x



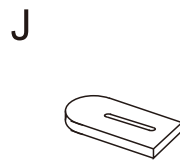
2x



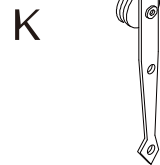
4x



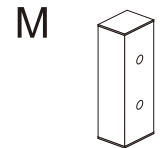
8x



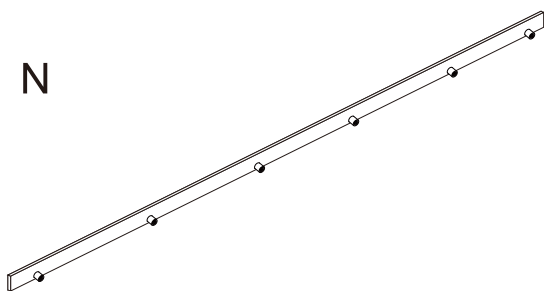
4x



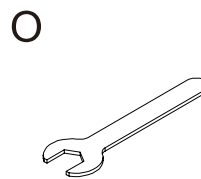
4x



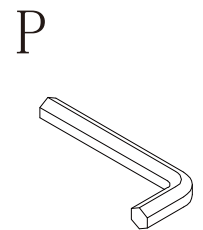
2x



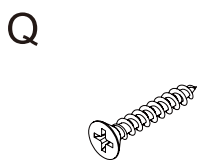
1x



1x

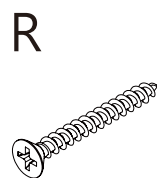


1x



M4x35mm

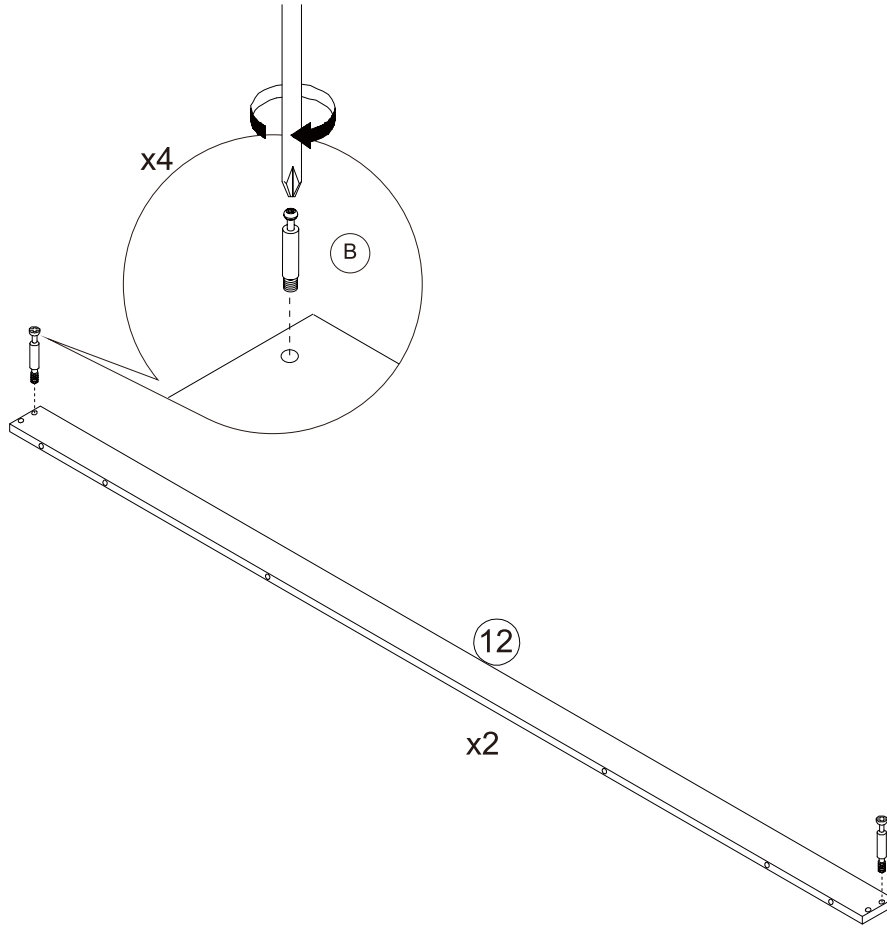
4x



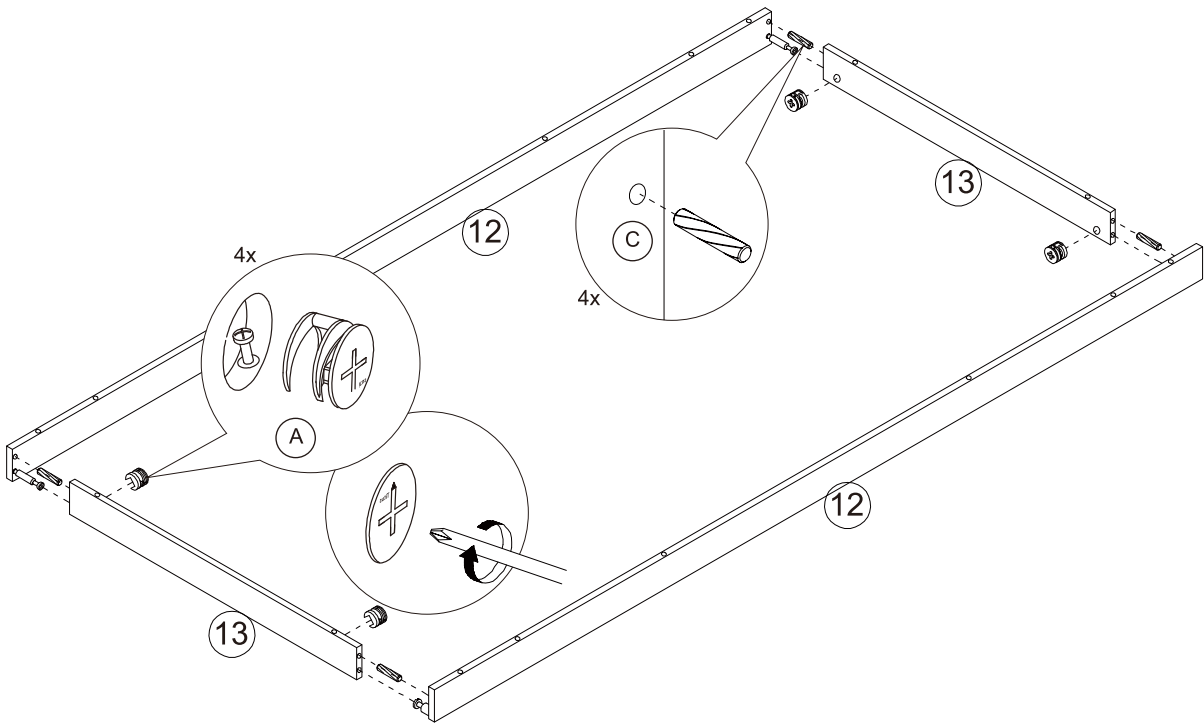
M4x50mm

12x

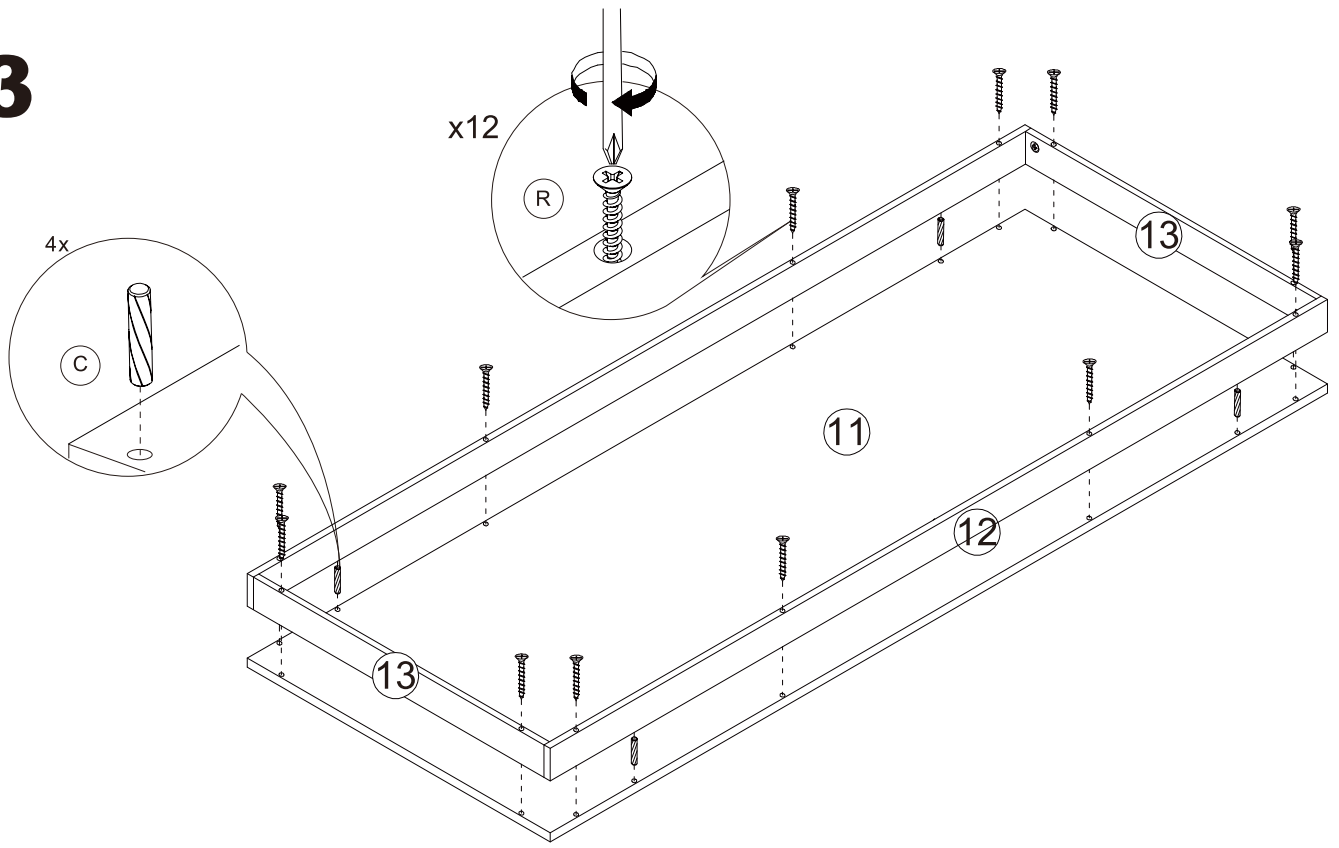
# 1



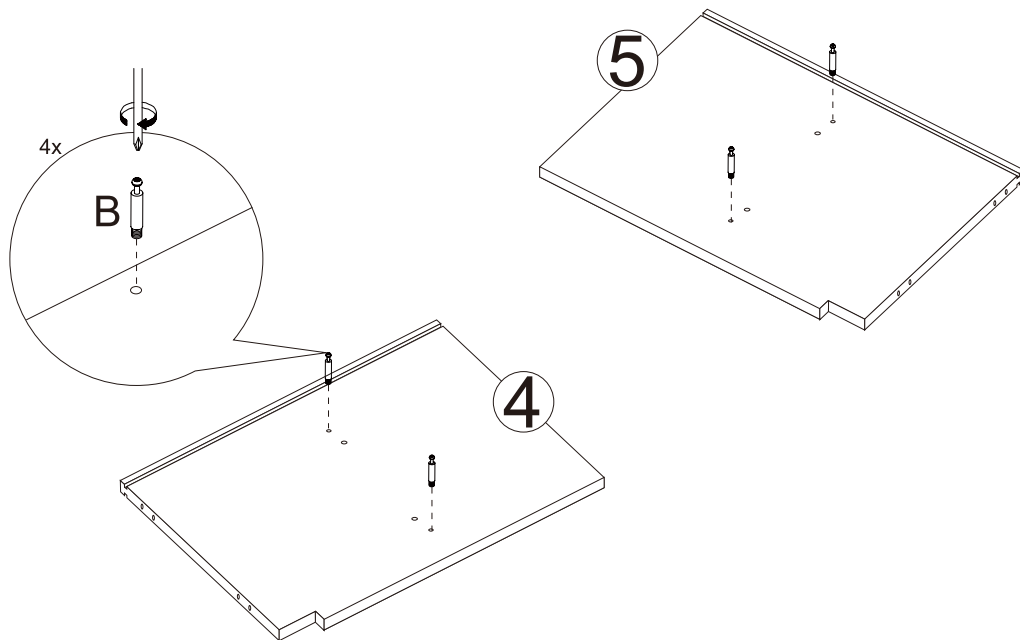
# 2



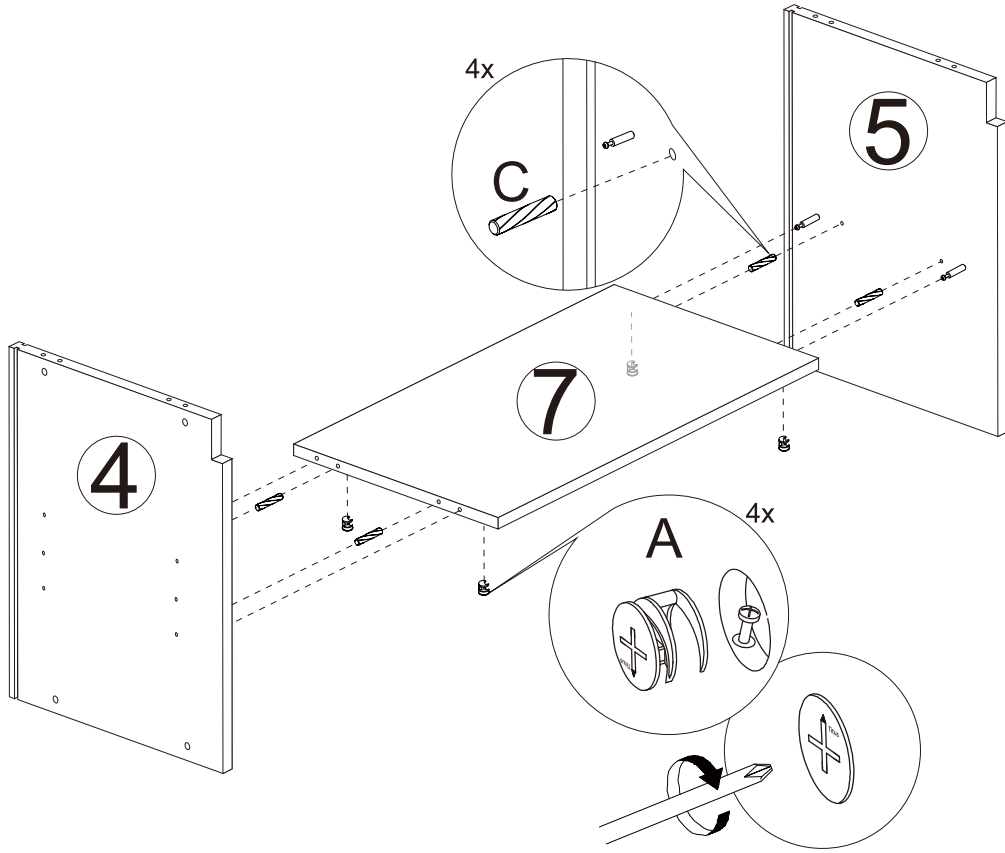
# 3



# 4

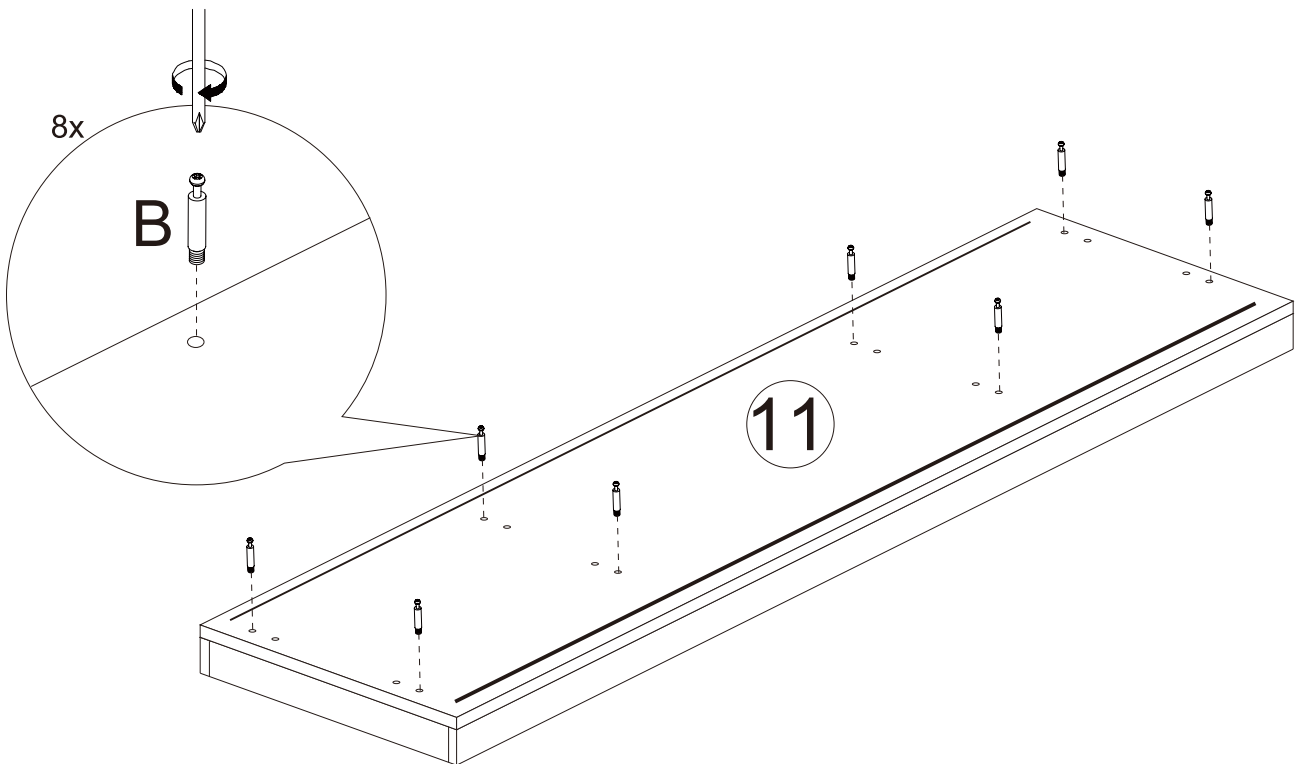


# 5

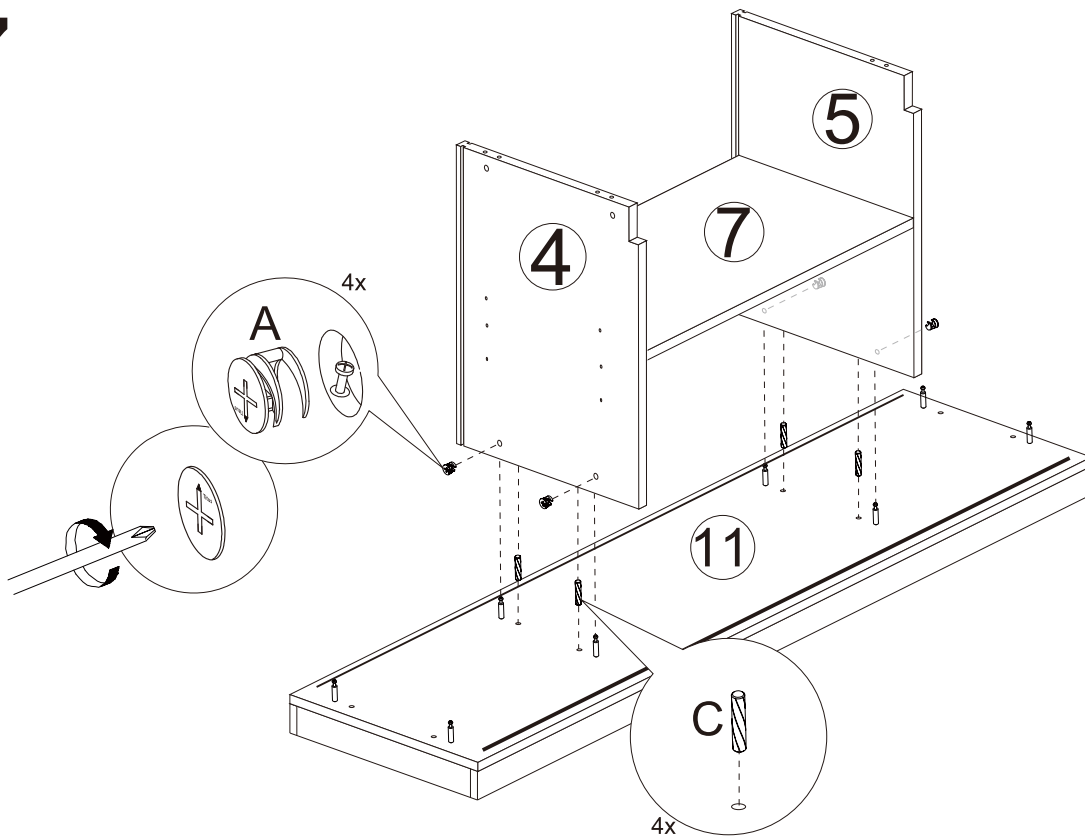


---

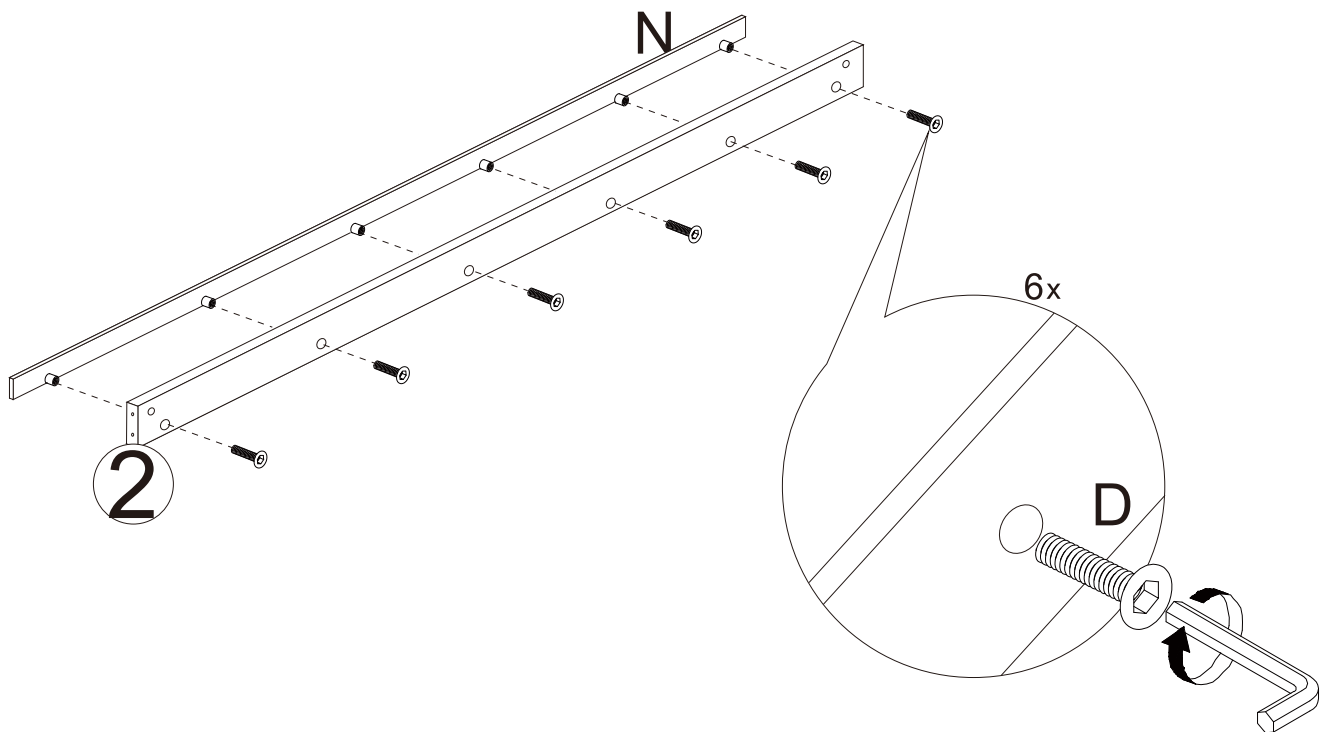
# 6



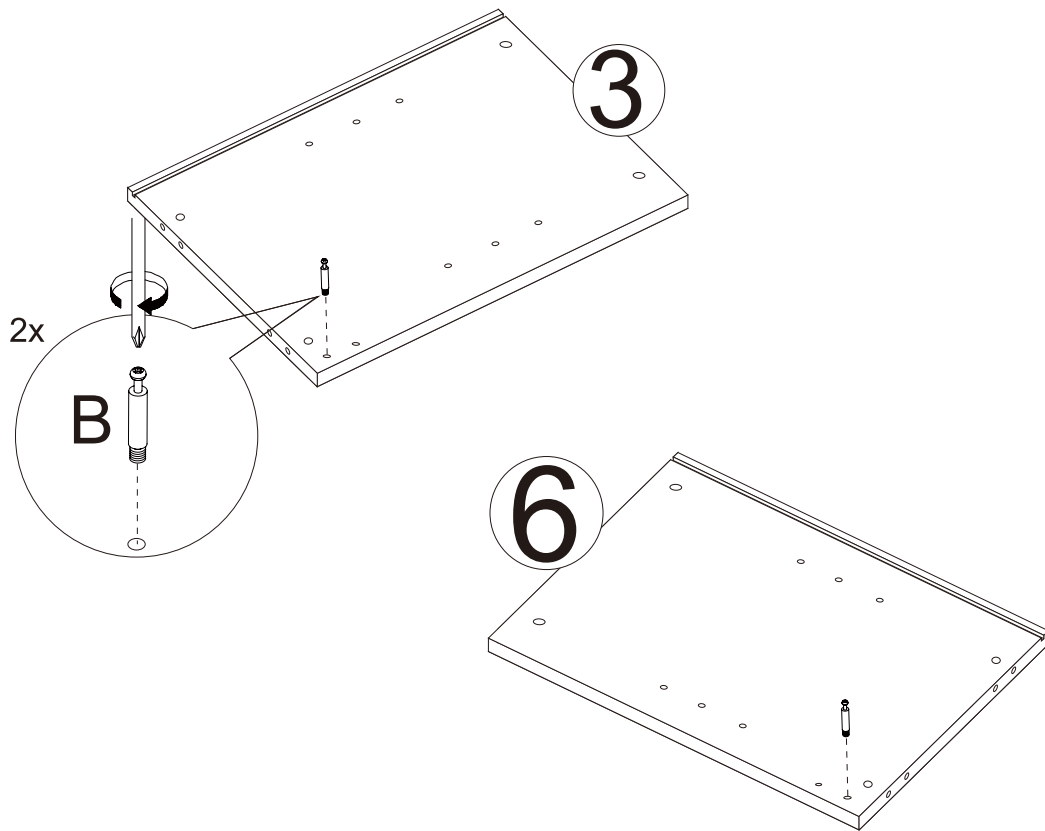
7



8

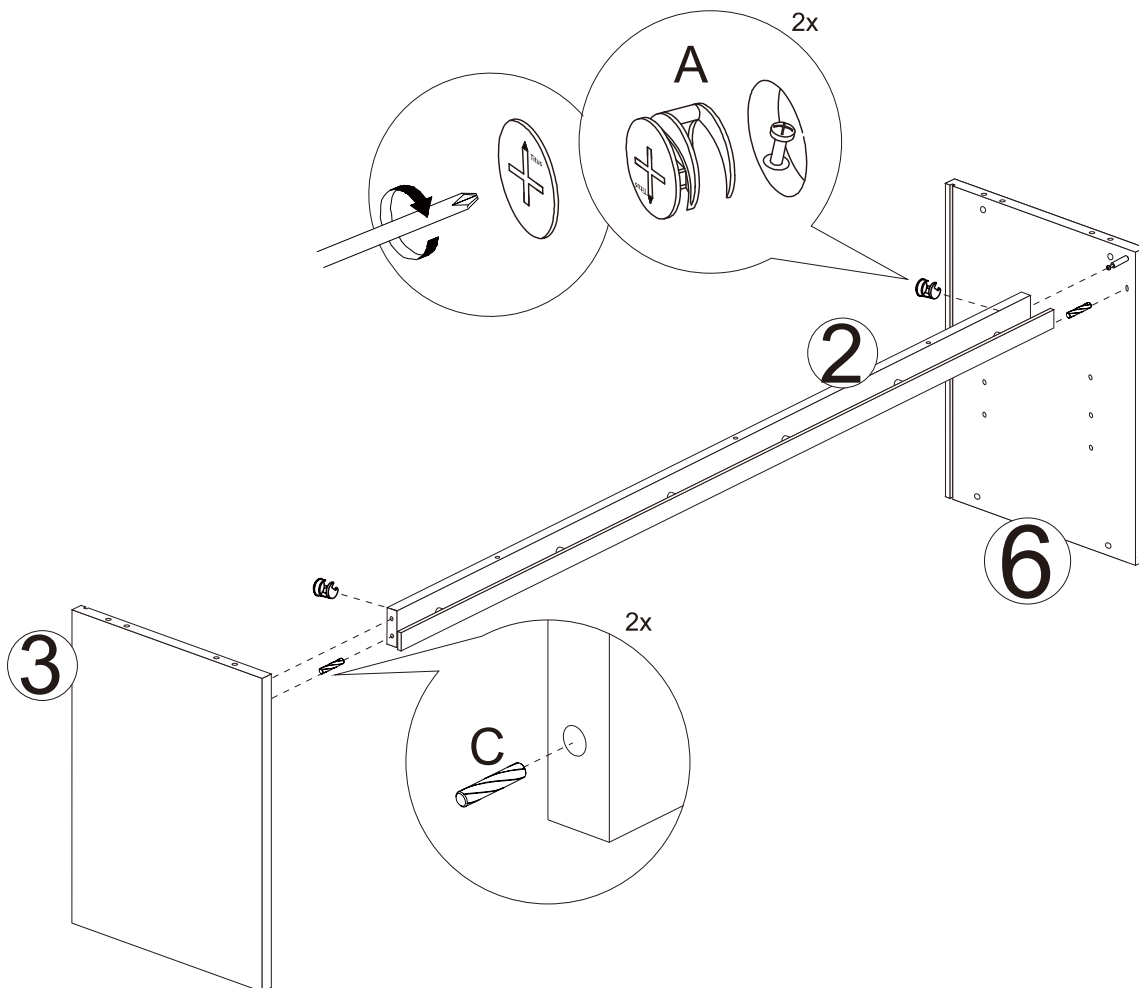


# 9

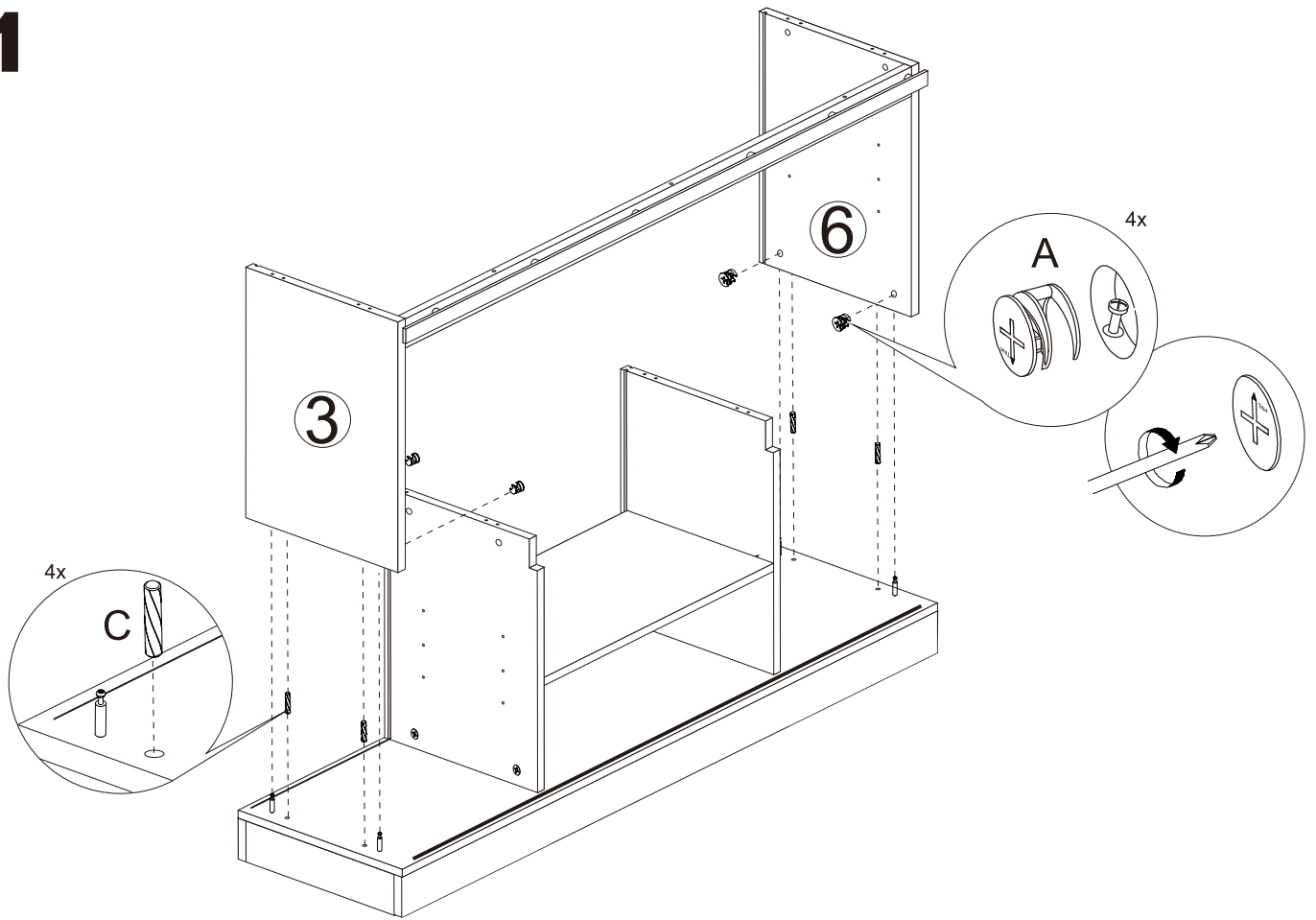


---

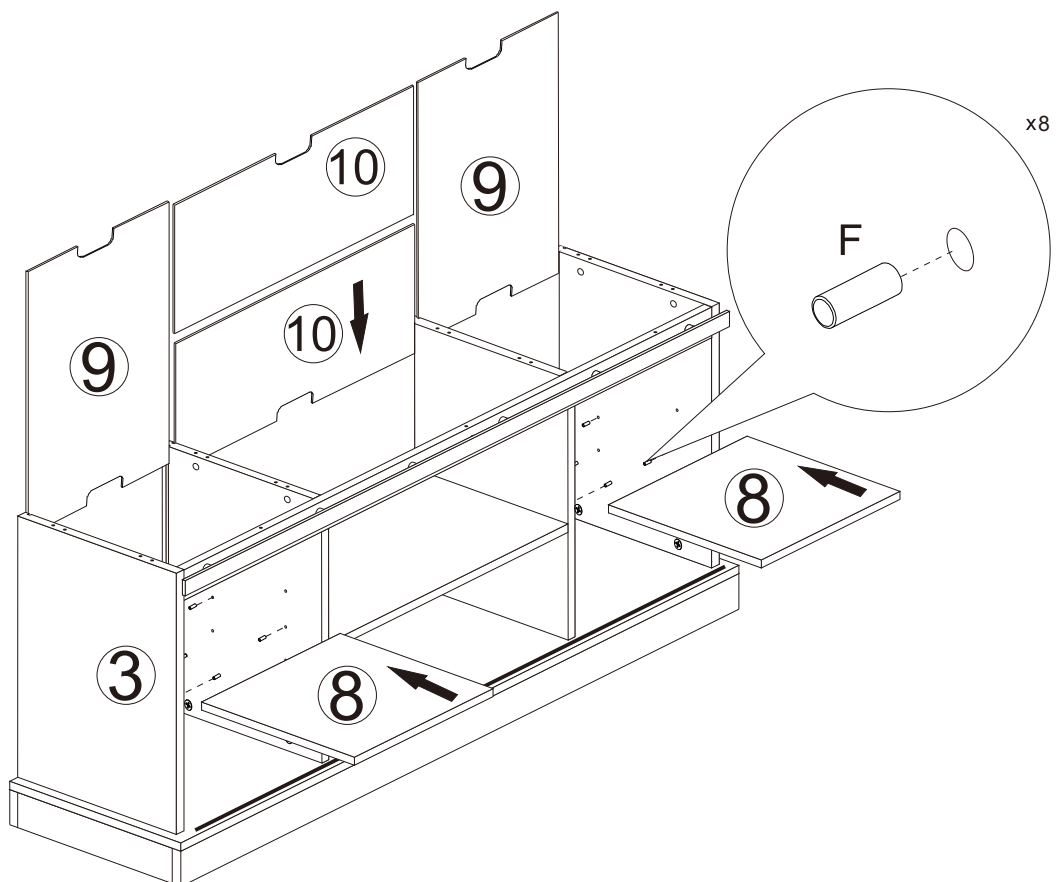
# 10



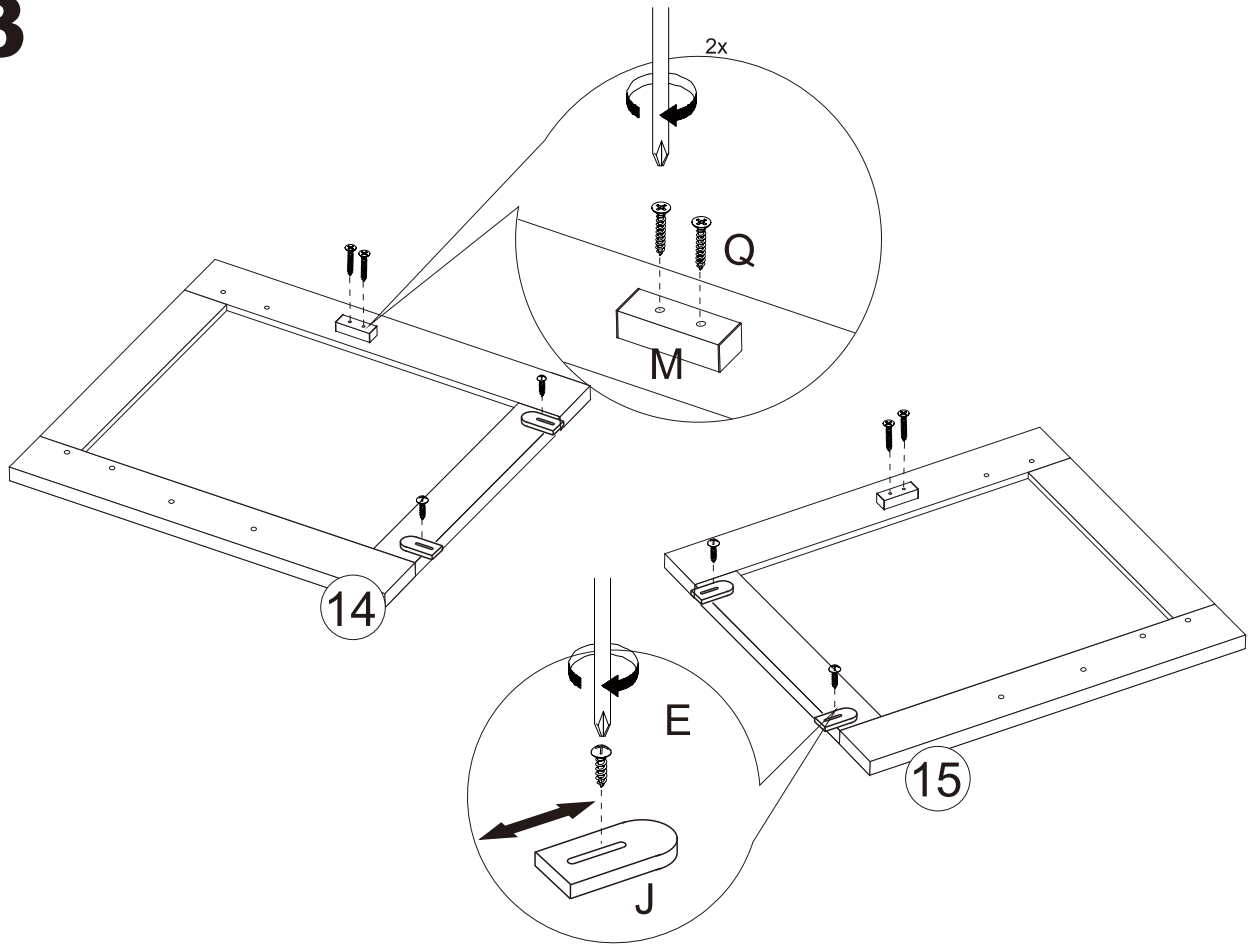
# 11



# 12

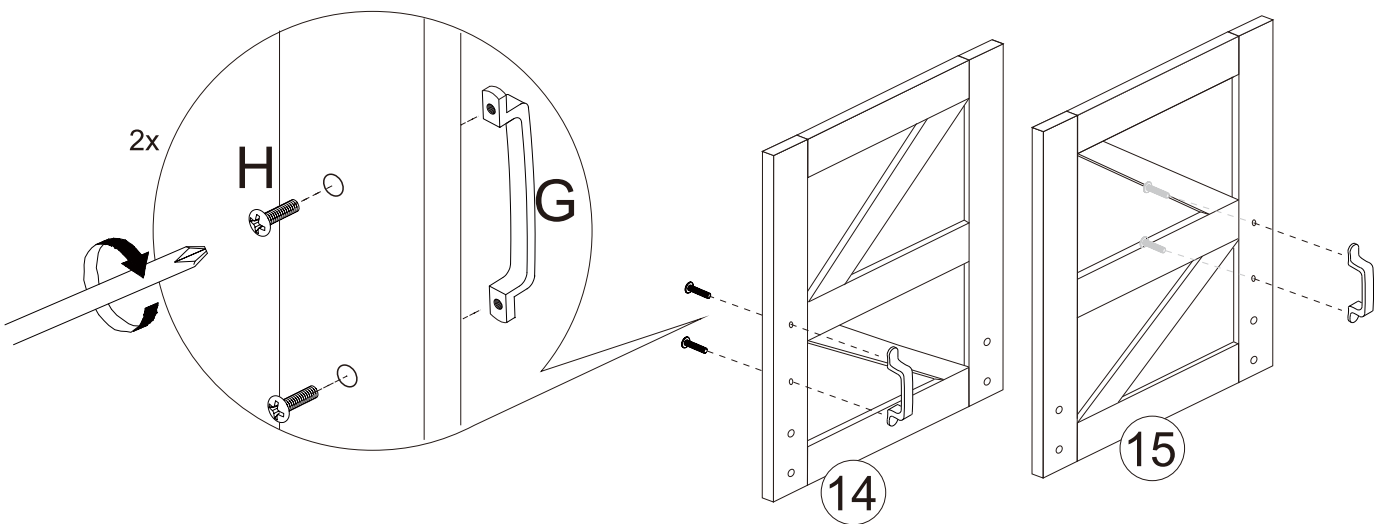


# 13

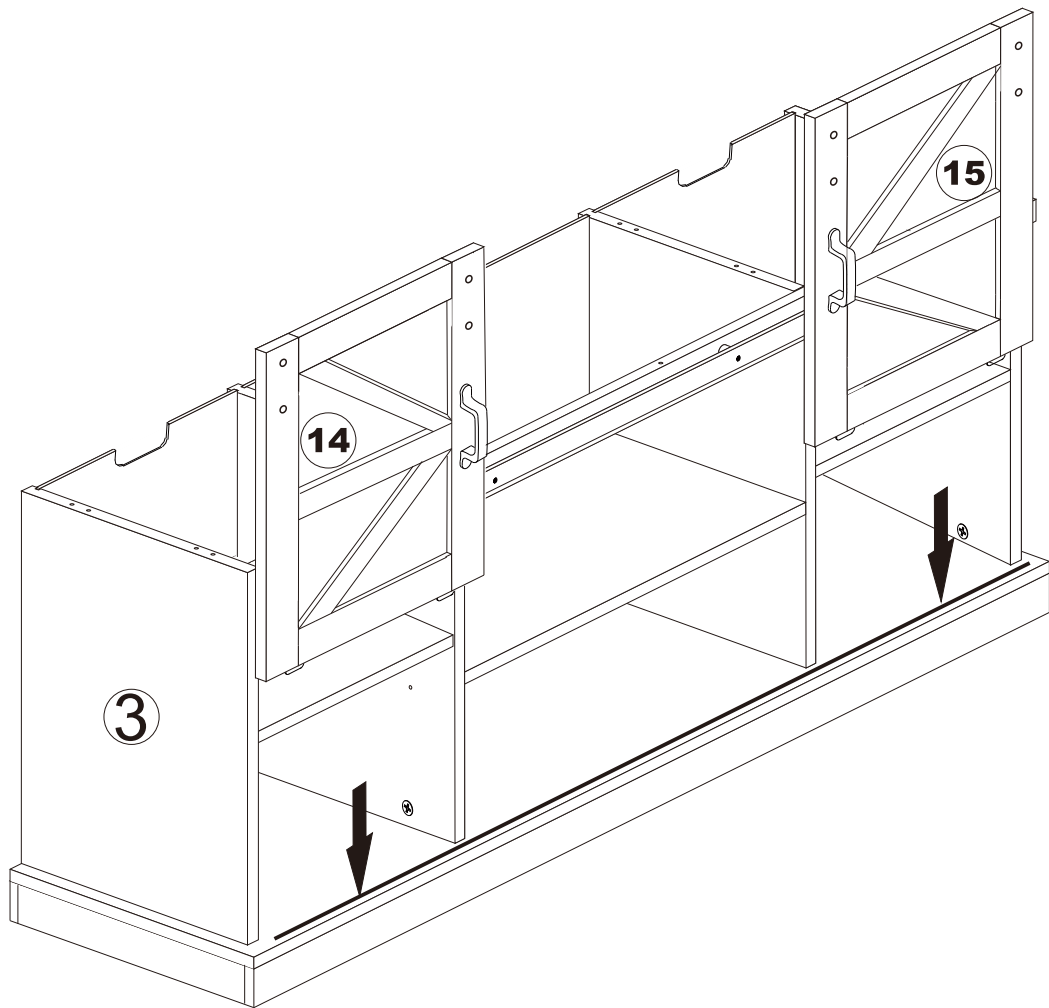


---

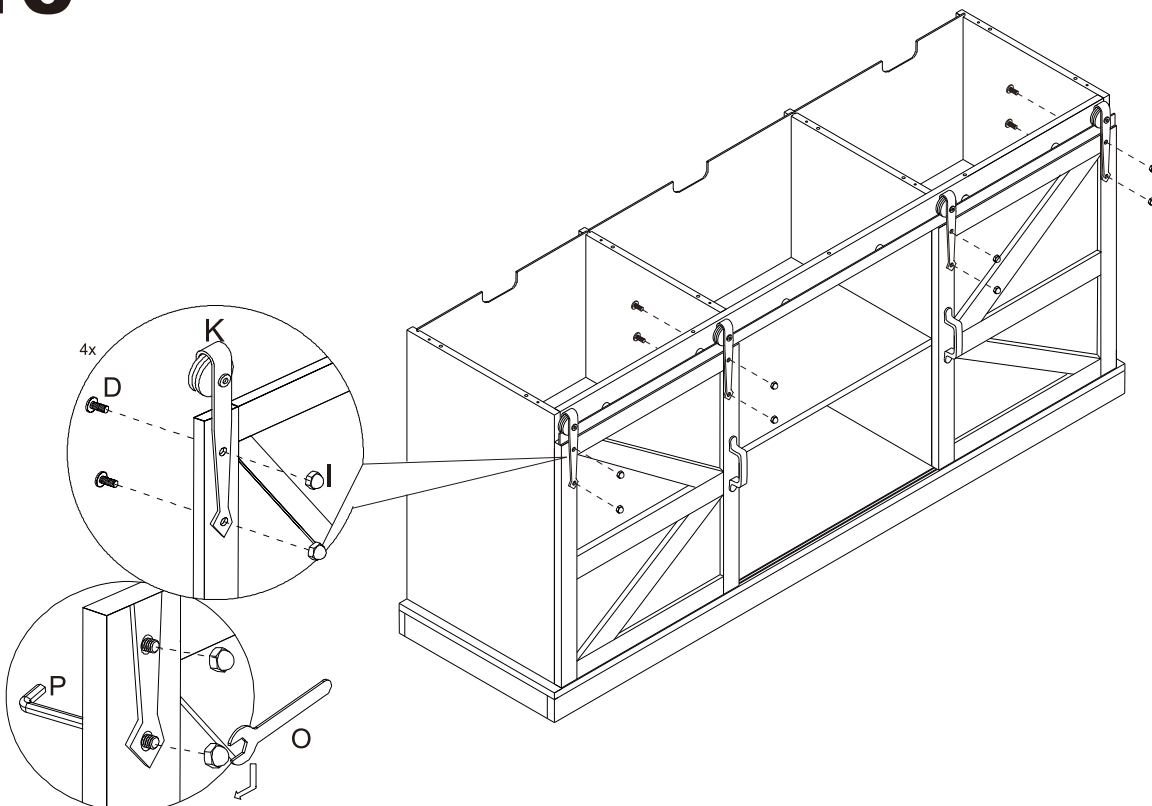
# 14



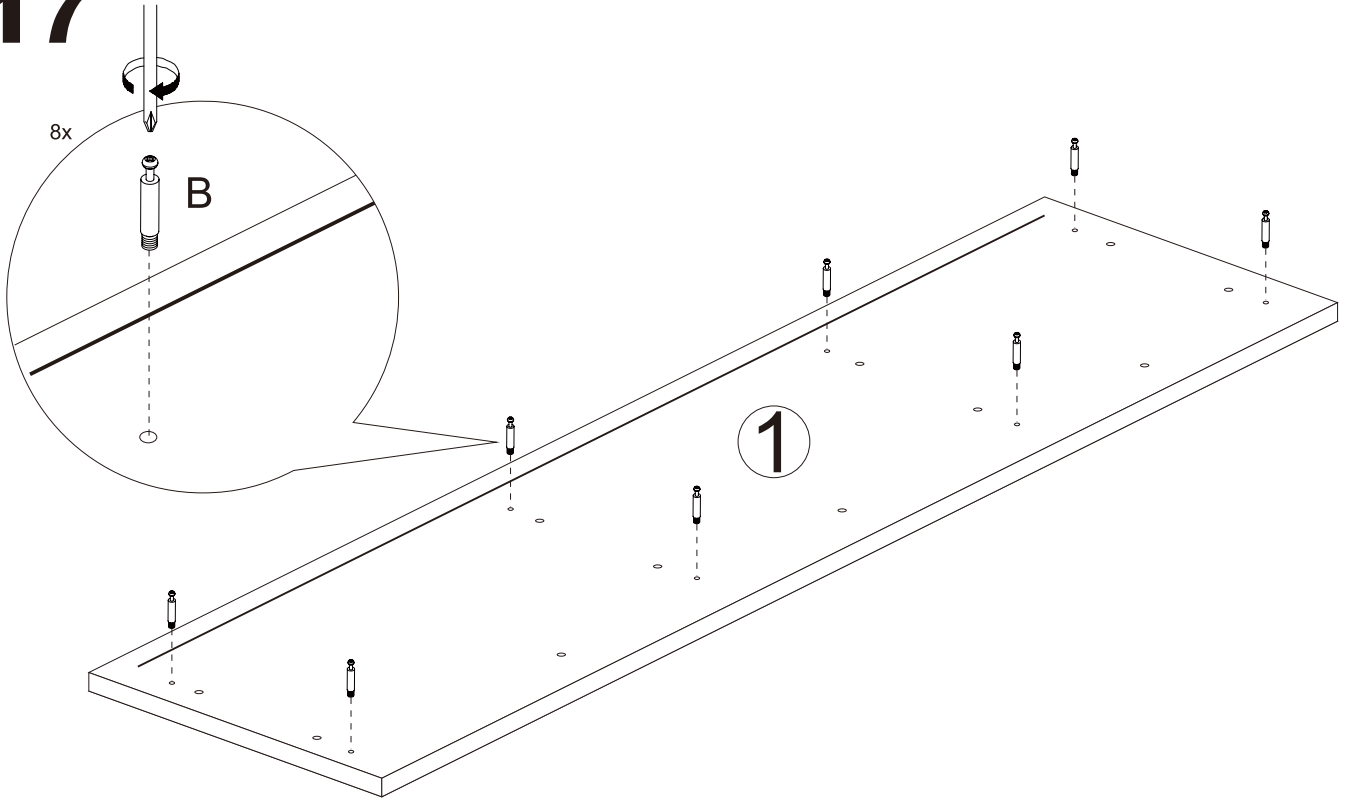
# 15



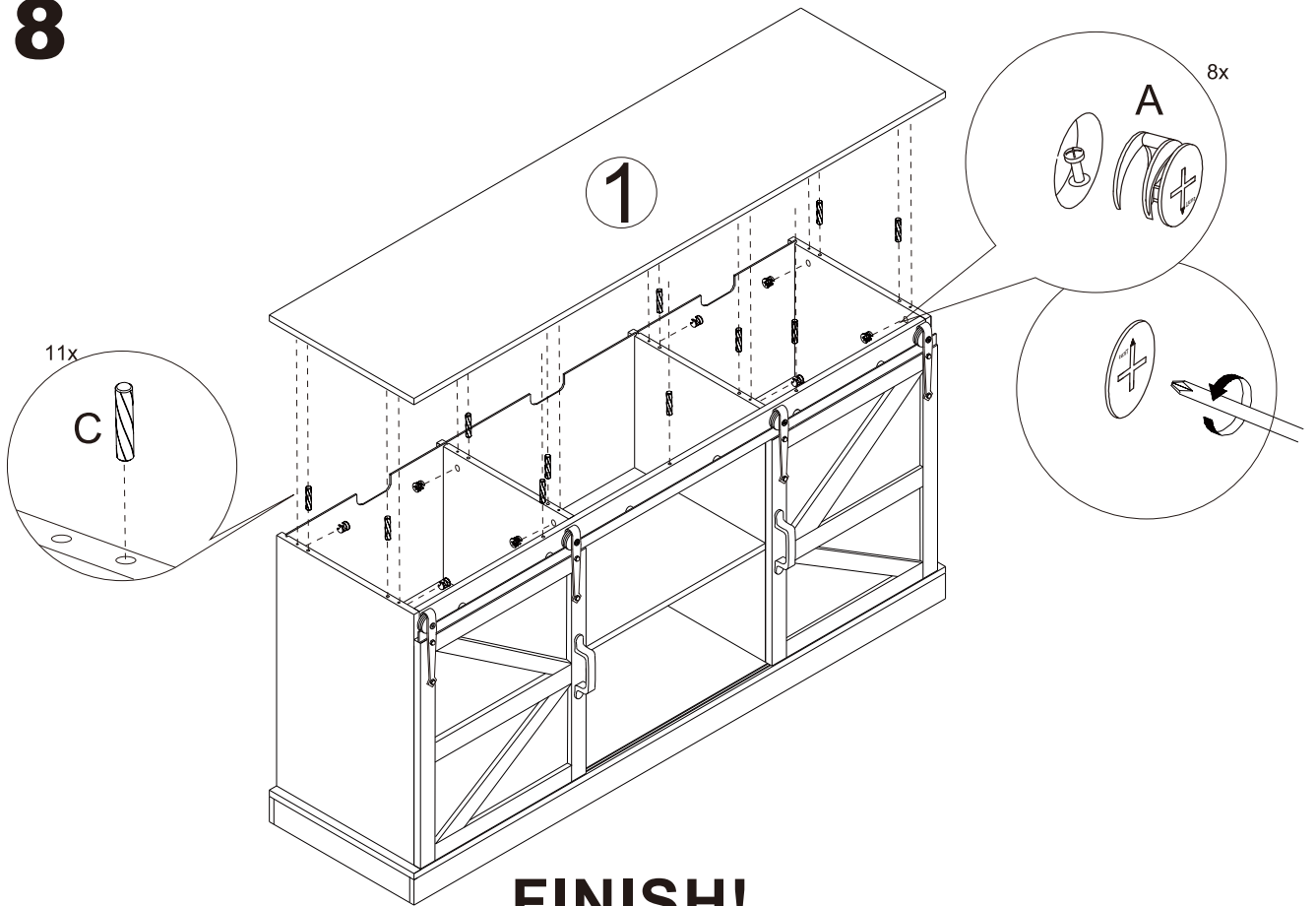
# 16



# 17



# 18



# FURNITURE CARE AND MAINTENANCE

## Medium - Density Fiberboard

Thank you for your purchase. We want your item to last as long as possible. To ensure the product gives you years of service, please refer to this care and maintenance guide.



### MAINTENANCE

- Tighten all bolts and screws again within the first 2 weeks of assembly.
- Check the tightness of all bolts every 2 months, tighten them if necessary.



### CLEANING

- Clean the surface of the MDF (medium - density fiberboard) with a lightly dampened cloth.
- Small amount of mild soap can be used if necessary.
- Dry the surface immediately after cleaning.

⚠ DO NOT use bleach or alcohol detergent to clean the surface.

⚠ DO NOT apply wood treatment on parts made with MDF.

Medium - density fiberboard will swell and distort when suffer from water damage. Make sure to dry the furniture immediately after cleaning.

## Warranty

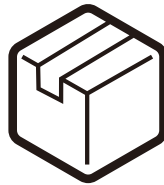
Our products come with a 1 year warranty from the date of purchase. In any event that the product arrives damaged or missing parts, we are more than happy to provide you with replacement part(s). **Register your product on our website to enjoy extended warranty!!**

## Easy Return

We work hard to make sure order arrives safe and secure, but rest assured we will take care of it if it is not up to standard. If you need replacement parts, Contact us we will send you replacements with no hassle.



Contact Us



Replacement



You

You don't have to worry about re-packaging / schedule pick-up.