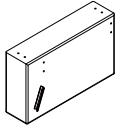


ASSEMBLY INSTRUCTIONS

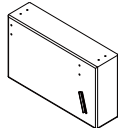
CHAIR WITH 1 METAL DRAWER

A LSF Arm



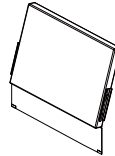
1PC

B RSF Arm



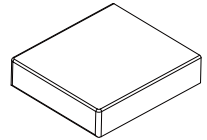
1PC

C Back



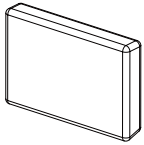
1PC

D Seat Cushion



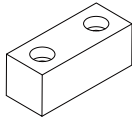
1PC

E Back Pillow



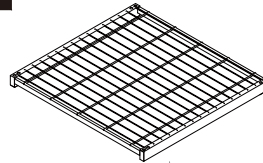
1PC

F Leg



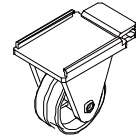
4PCS

G Seat



1PC

H Caster



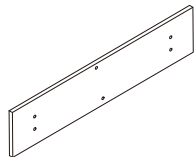
4PCS

I Drawer



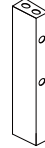
1PC

J Drawer Front



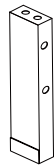
1PC

K Front Leg



2PCS

L Rear Leg



2PCS

M L-Allen Key
4mm



N Bolt
5/16" x 65mm



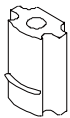
O Bolt
1/4" x 16mm



P Bolt
1/4" x 10mm

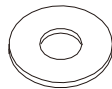


Q Drawer Connector



2PCS

R Flat Washer
5/16"



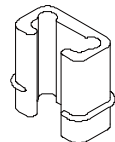
24PCS

S Bracket



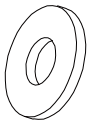
1PC

T Drawer Connector

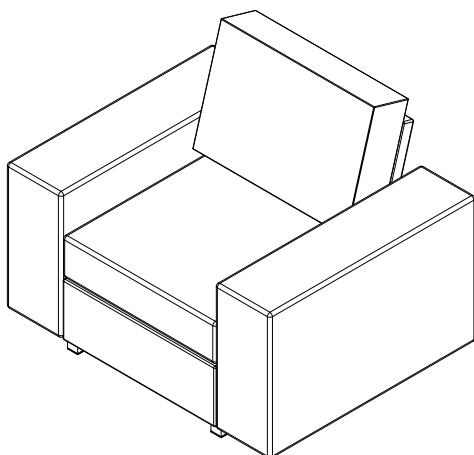


2PCS

U Flat Washer
1/4"



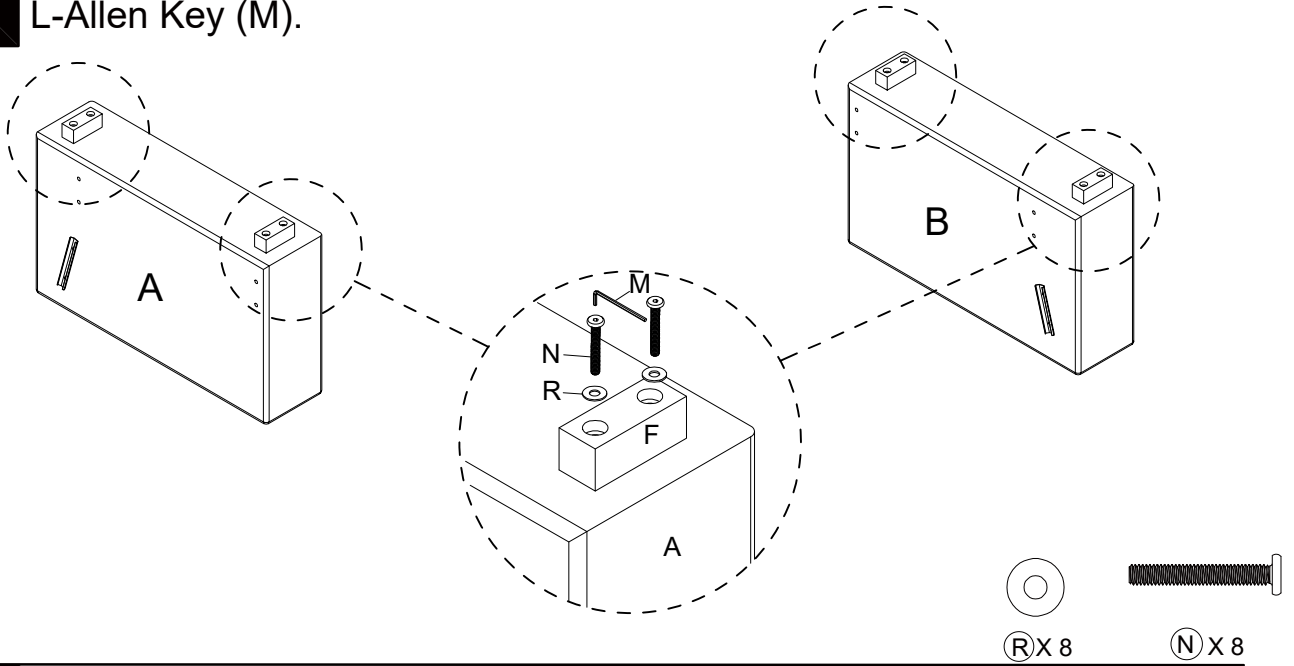
1PC



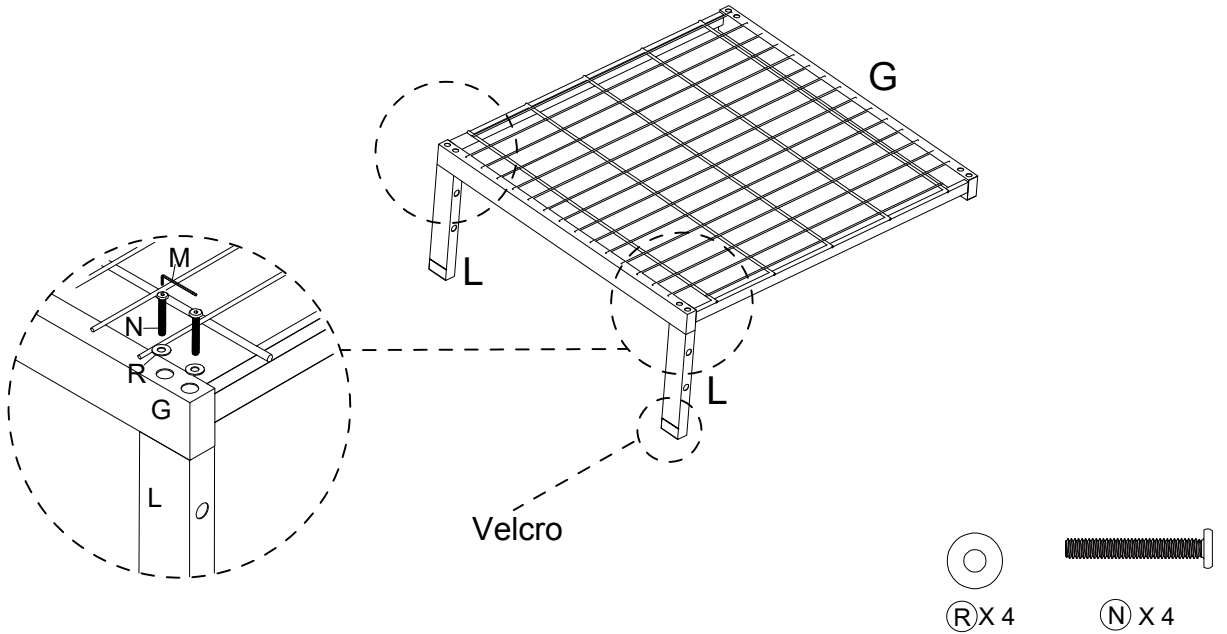
This page lists all the contents included in the box. Please take the time to identify the hardware as well as the individual components to this product. As you unpack and prepare for assembly, place the contents on a carpeted or padded area to protect them from damage.

1

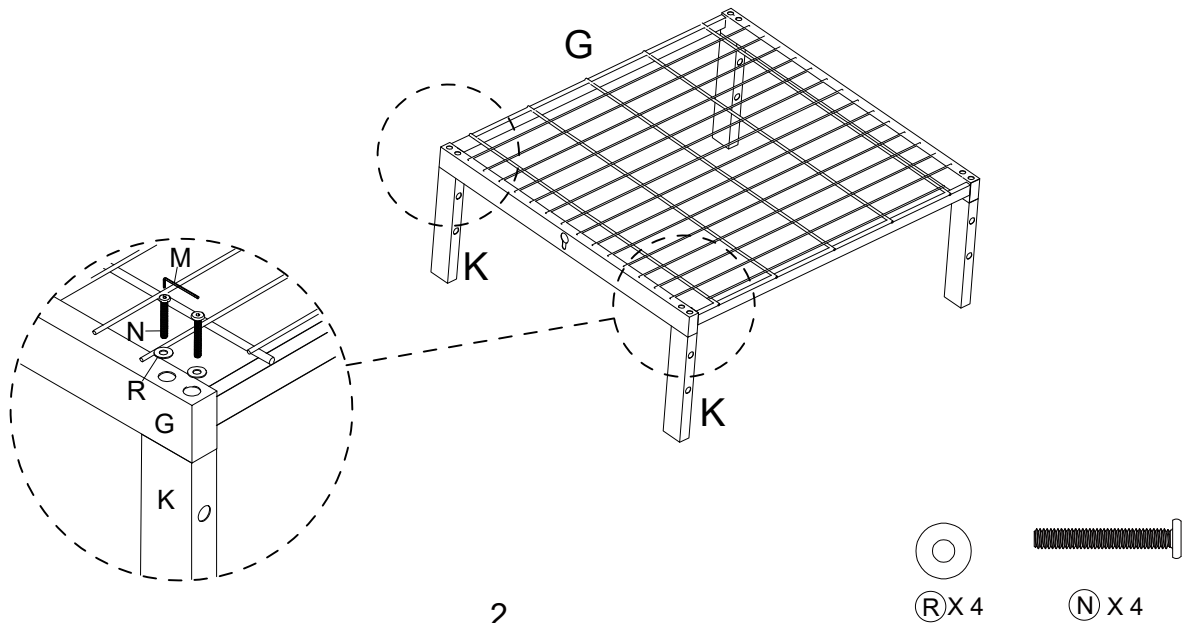
Attach Leg (F) to Arms (A & B) using Bolt (N) and Flat Washer (R) with L-Allen Key (M).

**2**

Attach Rear Leg (L) to Seat (G) using Bolt (N) and Flat Washer (R) with L-Allen Key (M).

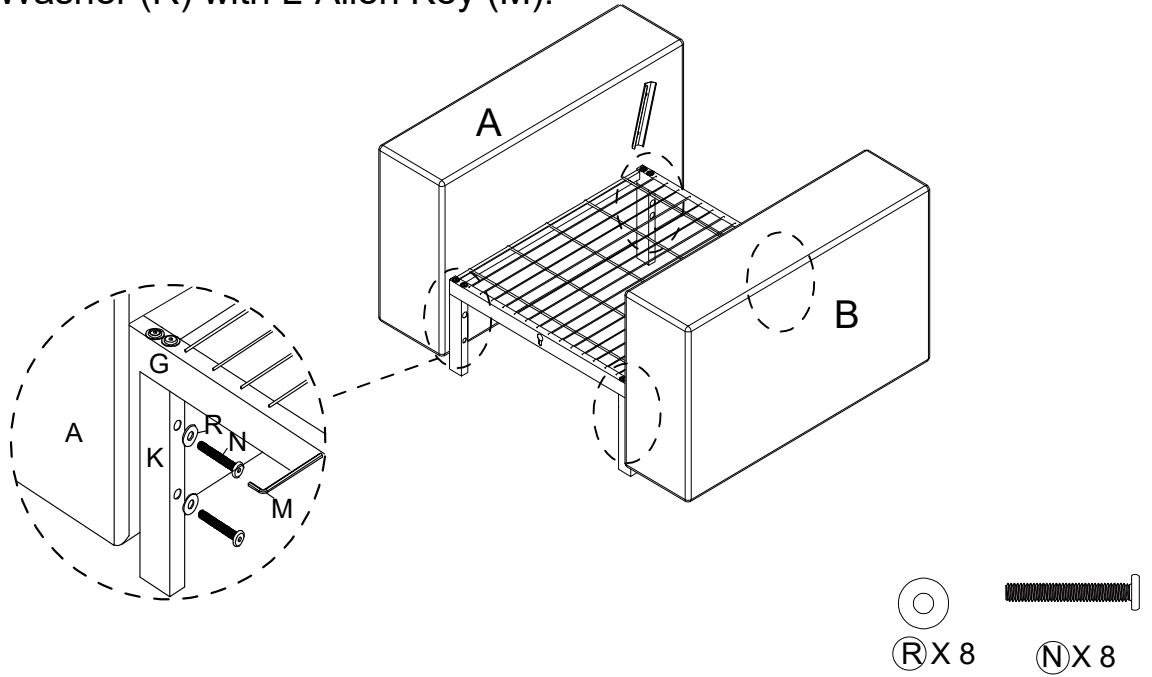
**3**

Attach Front Leg (K) to Seat (G) using Bolt (N) and Flat Washer (R) with L-Allen Key (M).

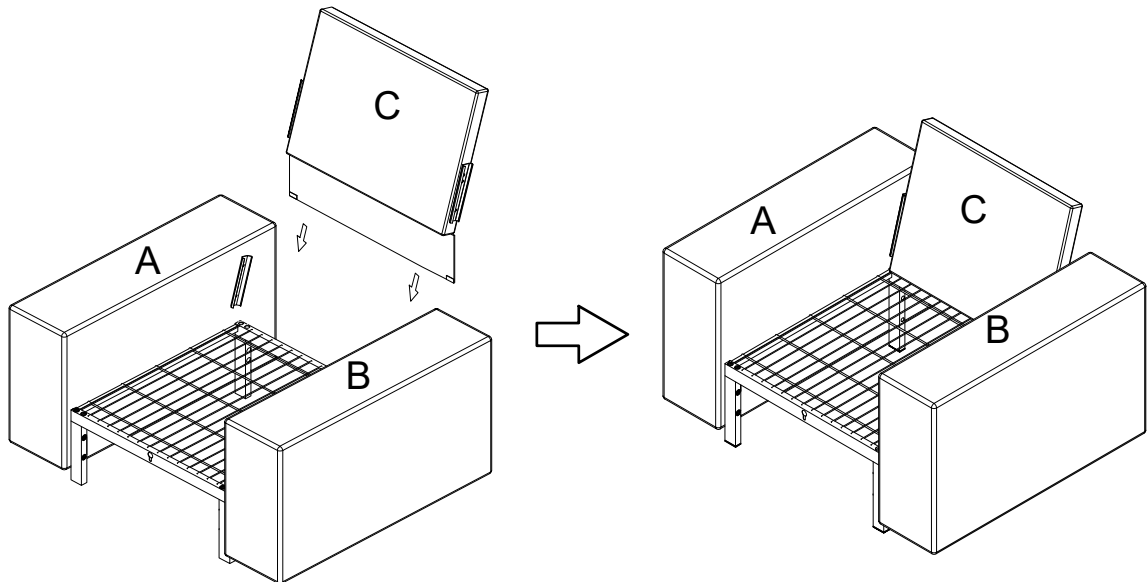


4

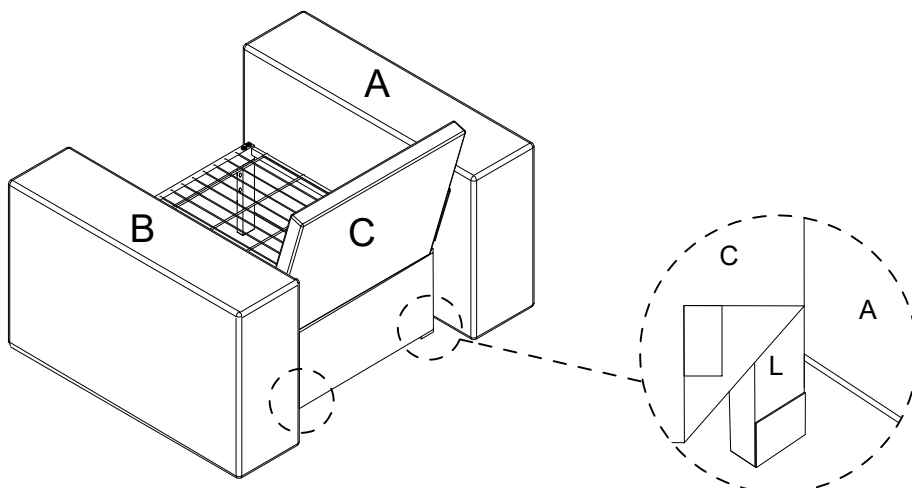
Attach Front & Rear Leg (K & L) to Arms (A & B) using Bolt (N) and Flat Washer (R) with L-Allen Key (M).

**5**

Insert Back (C) into Arms (A & B).

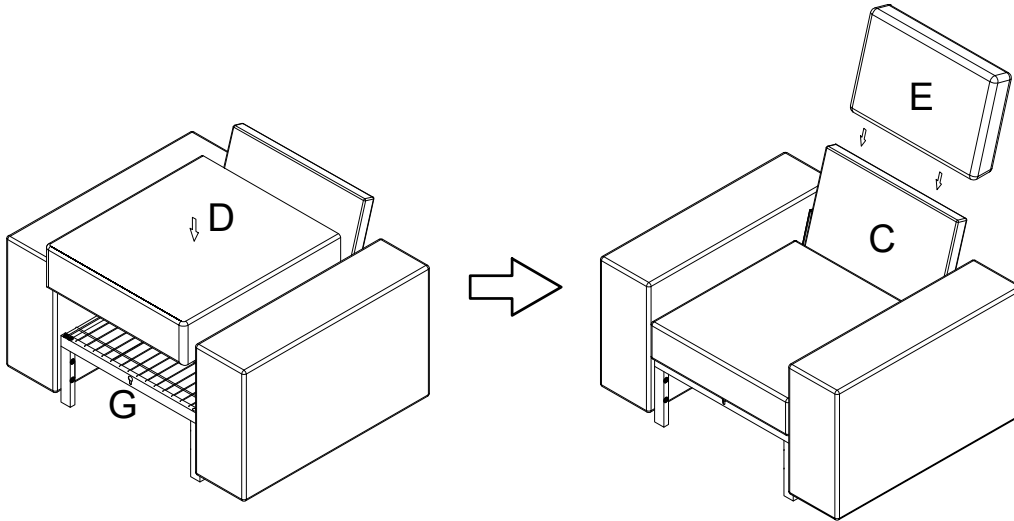
**6**

Paste the cloth cover of Back (C) to Rear Leg (L).

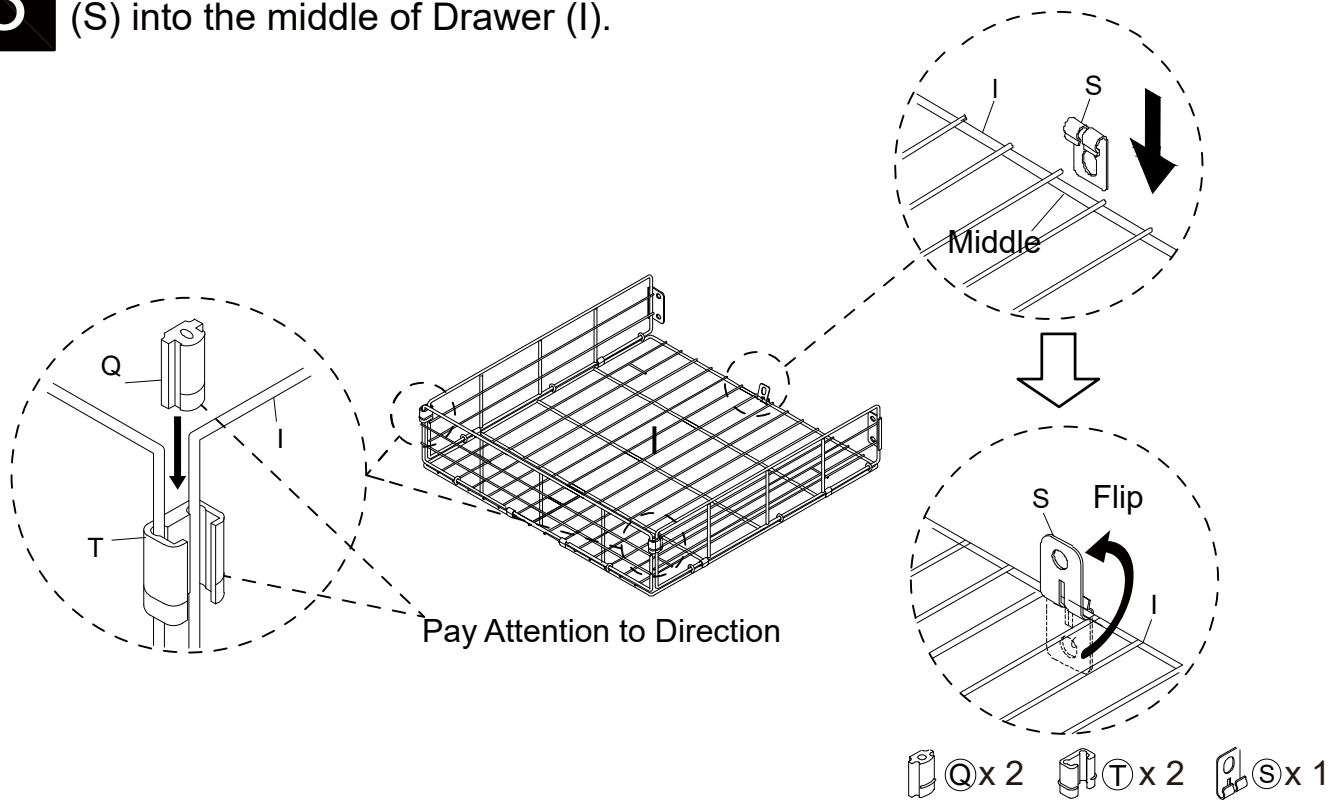


7

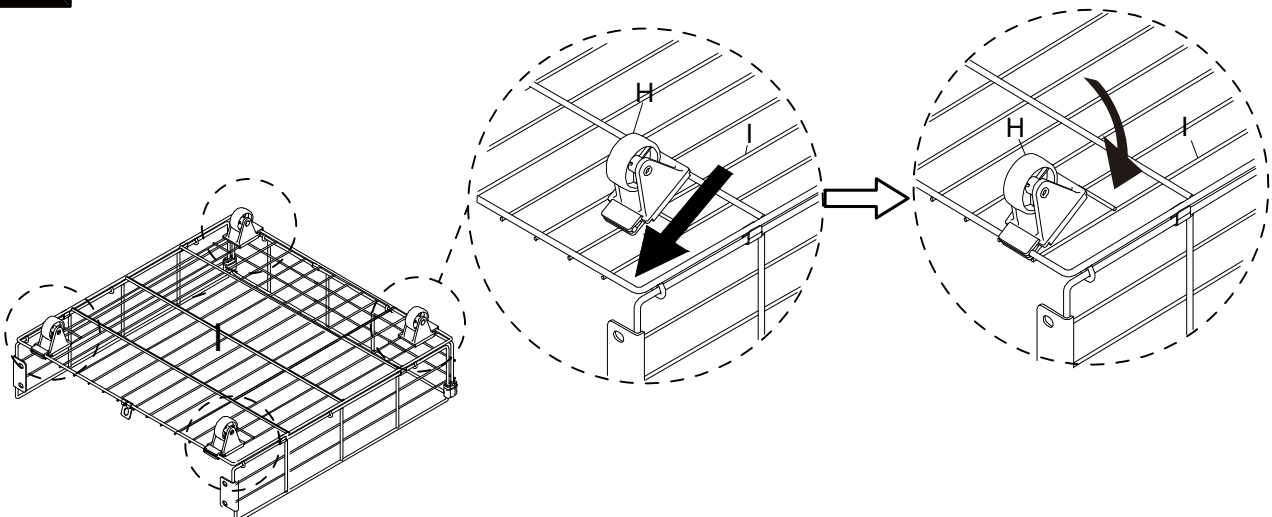
Place Seat Cushion (D) and Back Pillow (E) on Seat (G) and Back (C).

**8**

Assemble Drawer (I) using Drawer Connector (Q & T), then insert Bracket (S) into the middle of Drawer (I).

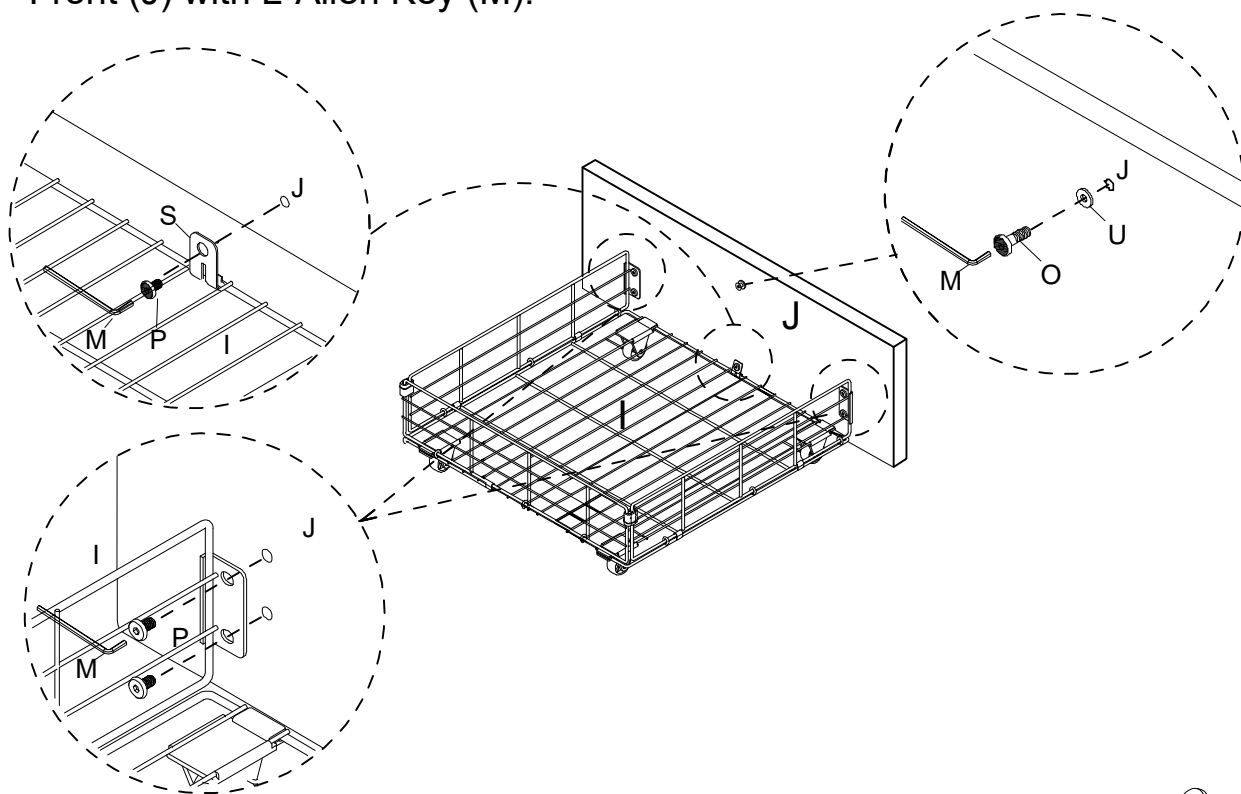
**9**

Insert Caster (H) into Drawer (I) and fasten as shown.



10

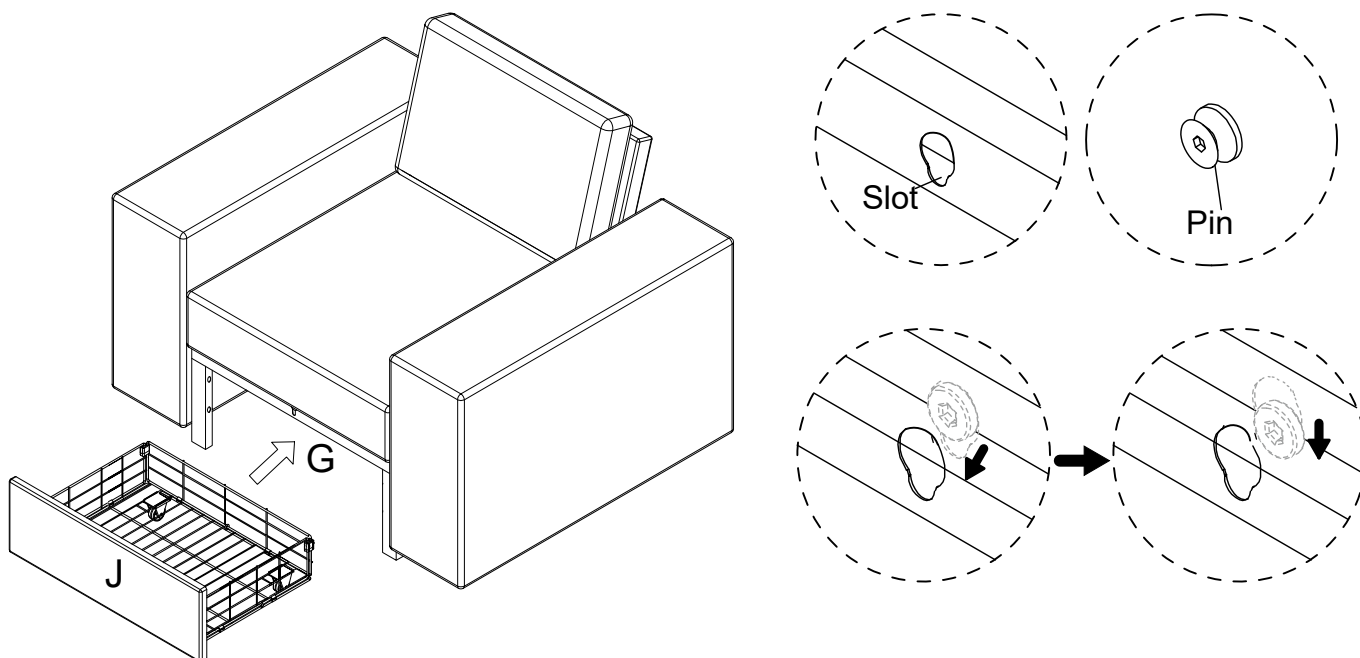
Attach Drawer (I) and Bracket (S) to Drawer Front (J) using Bolt (P) with L-Allen Key (M). Then, secure Bolt (O) and Flat Washer (U) to Drawer Front (J) with L-Allen Key (M).



⊕x 1 ⊕x 5 ⊕x 1

11

Move the assembled drawer under the Chair. The pin on the Drawer Front (J) can be locked into the slot on the Chair.



Cleaning & Care

Treat surfaces with care. Surfaces are resistant to scratches but are not scratch resistant. Clean surfaces with a dry or damp soft cloth. Do not use abrasive cleaners. Hardware may loosen over time. Periodically check that all connections are tight.