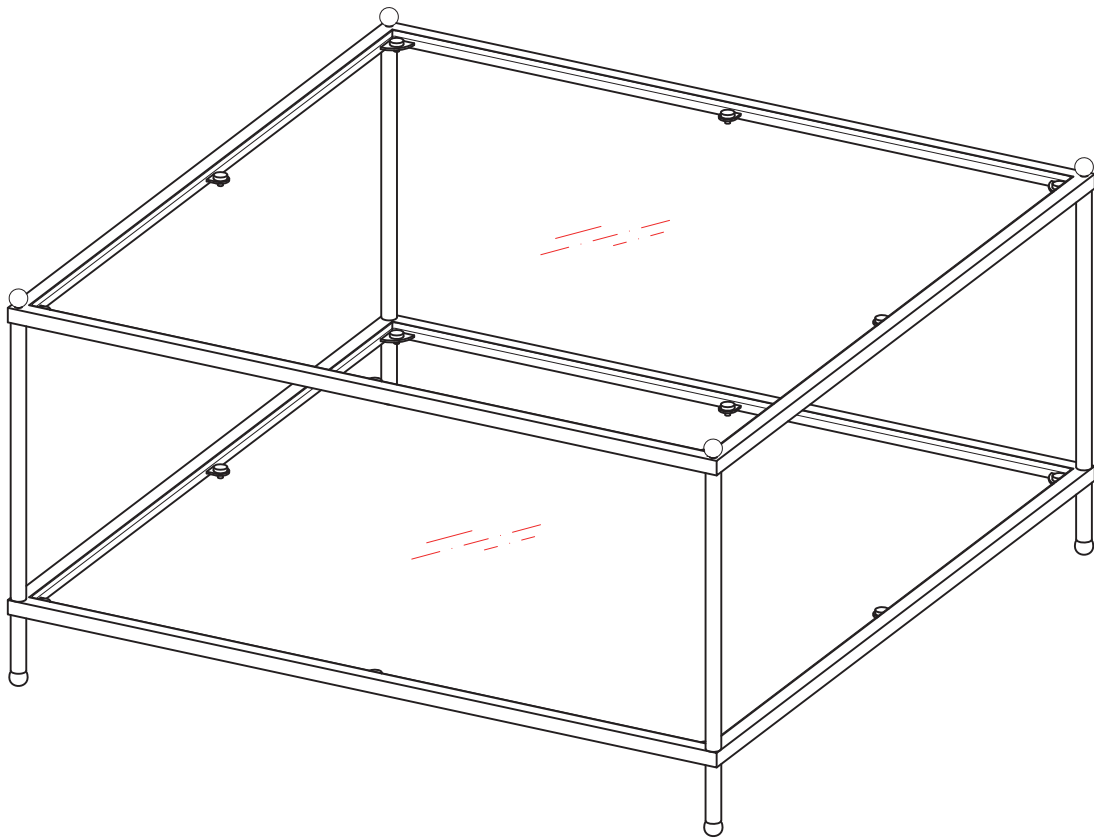


# SQUARE GLASS COFFEE TABLE




## ASSEMBLY INSTRUCTIONS

---


We have designed our furniture with you , the customer in mind . Our clear , easy to follow , step by step instructions will guide you through the project from start to finish .  
Feel confident that this will be a fun and rewarding project . The final product will be a quality piece of furniture that will go together smoothly and give years of enjoyment .

---

## Hardware List

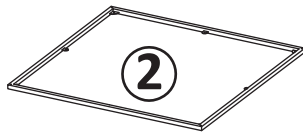
<b>A</b>	<b>B</b>	
		
Non-slip disk (16pcs)	Polishing cloth (1pc)	

## Panel List




**1**

Glass (2pcs)



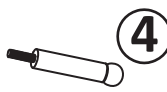
**2**

Frame (2pcs)




**3**

Tubes (4pcs)



**4**

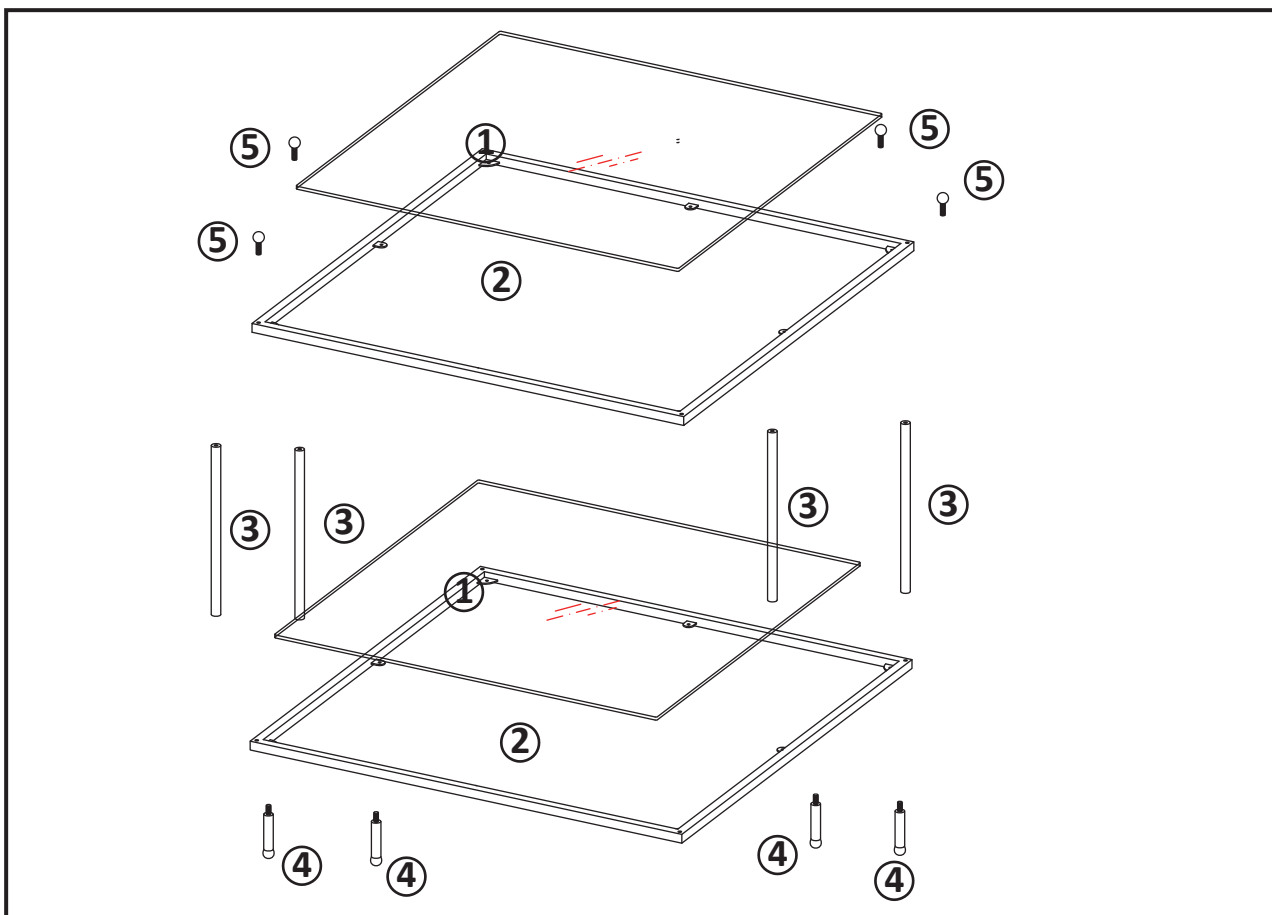
Foot (4pcs)



**5**

Ball End (4pcs)

## Exploded Views

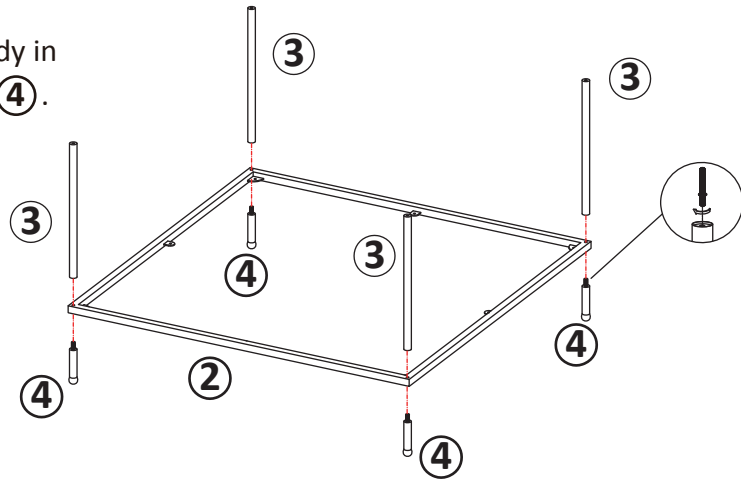


**\*Please count and verify all parts before assembly.\***

## Step 1

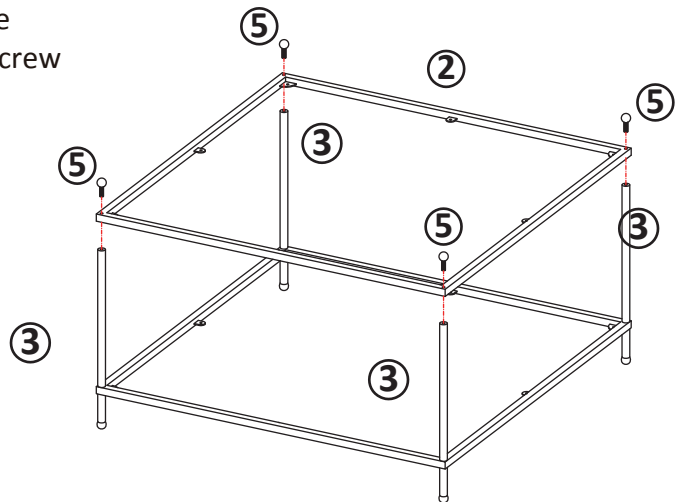
\*Assemble unit on carpet or flat surface.

1. Fully tighten the threaded rods into the feet (4) (As shown in blowup).
2. Place frame (2) onto feet (4).
3. While holding the feet (4) steady in place screw tubes (3) into feet (4).



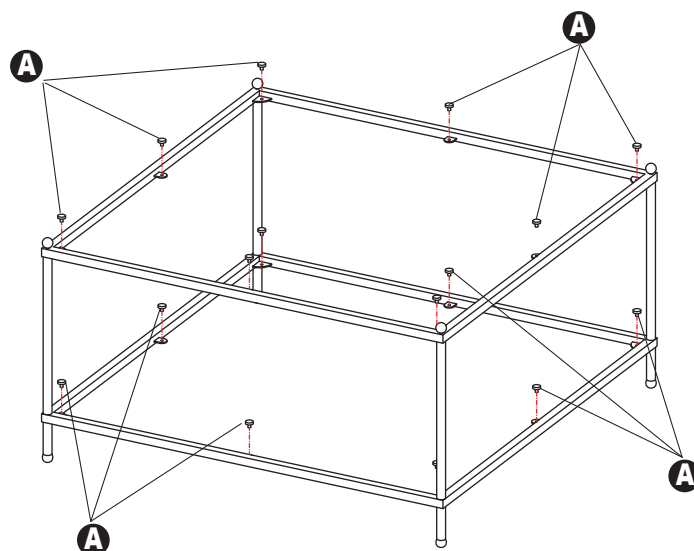
## Step 2

1. Place frame (2) onto unit and while holding the tubes (3) steady in place screw ball ends (5) into tubes (3).



## Step 3

1. Place non-slip disks (A) into assembly as shown to support glass shelf.



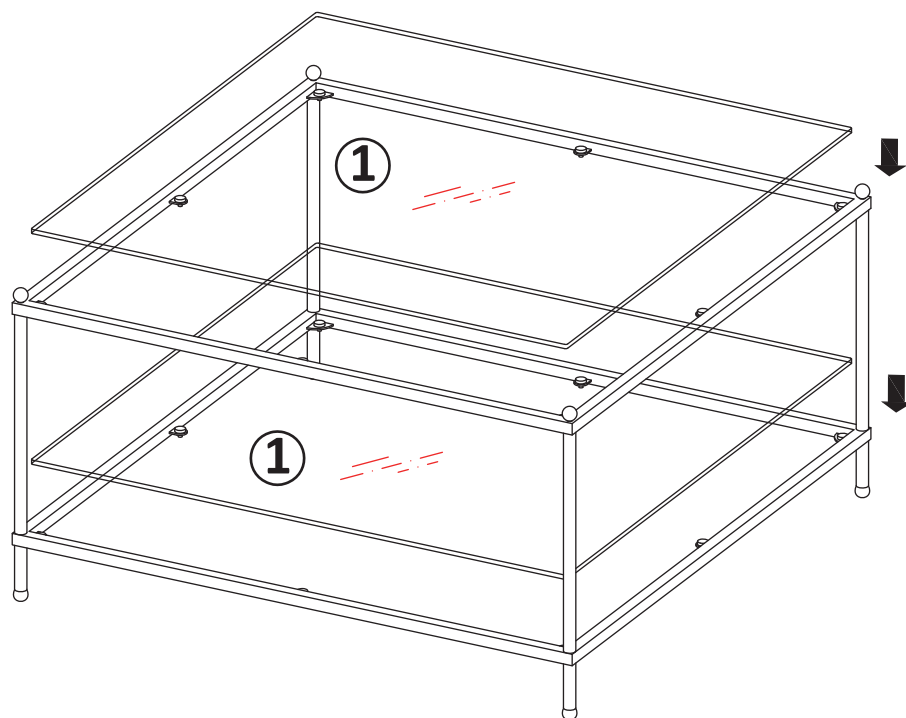
**A**



x16

## Step 4

1. Retighten all poles, legs, feet, and ball ends if needed.
2. Using a slight angle, carefully insert glass panels **①** into unit.



## Step 5

1. Enjoy!

