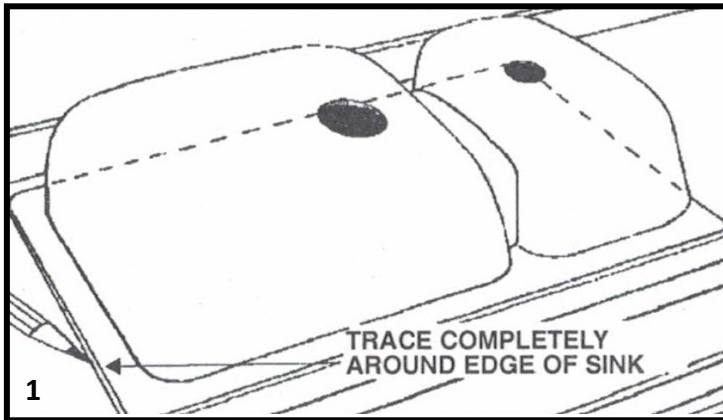
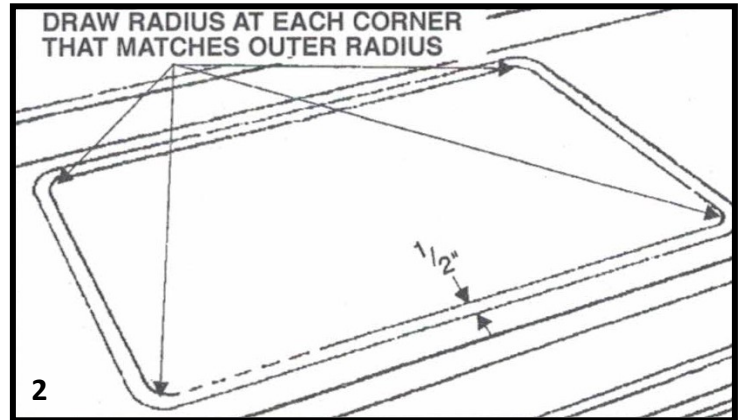


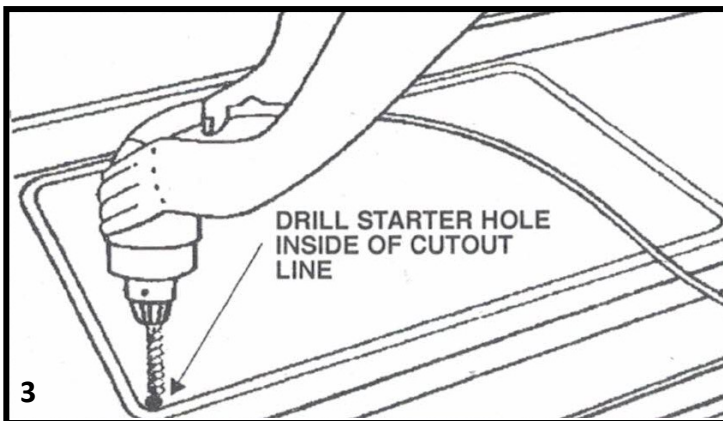
- Read these instructions thoroughly before you begin.
- Always inspect sink closely for damage prior to installing. Do not install a damaged sink.
- Take care when handling stainless steel sinks as they may have sharp edges.
- Take care when handling quartz sinks as they are heavy.
- Adhere to all local building and plumbing codes.



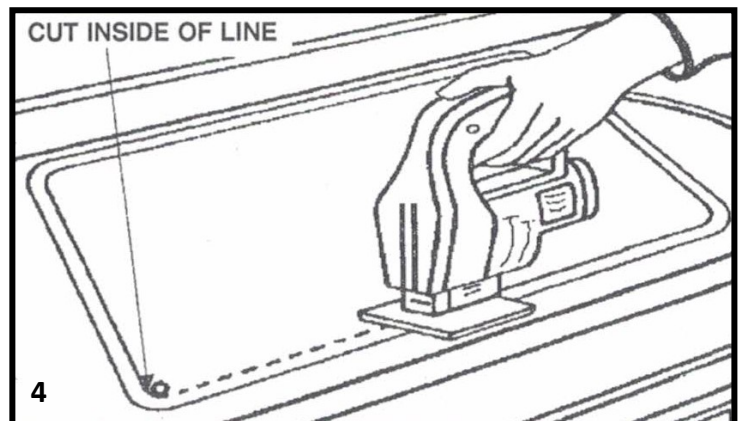
If a paper template has been provided, follow the instructions on the template. If no template is available, use the sink as your template. Place sink upside down in the position where sink is to be installed. Pay attention to backsplash and sink cabinet constraints such as tip-out trays. Trace around the sink.



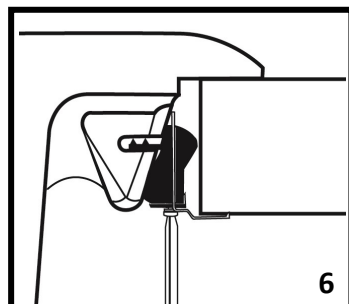
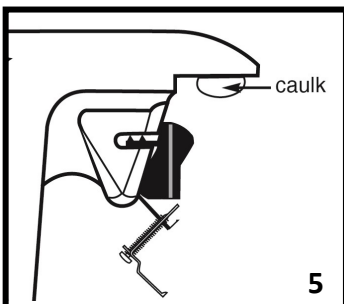
Draw a second line 1/2" inside of the outside perimeter line. This will be your cut line.



Drill a starter hole just inside of the cut line.



Use a jigsaw to make the cutout. If you are using a countertop material other than laminate, you will need to use the appropriate router and hard surface template to accomplish the cutout.



Attach supplied clips to the anchor points on the underside of the sink rim. Styles of clips may vary by sink type. Place a bead of a good quality silicone on the underside rim of the sink. Locate the sink correctly in the cutout in the countertop and tighten the sink clips. Wipe up excess silicone with a damp rag.

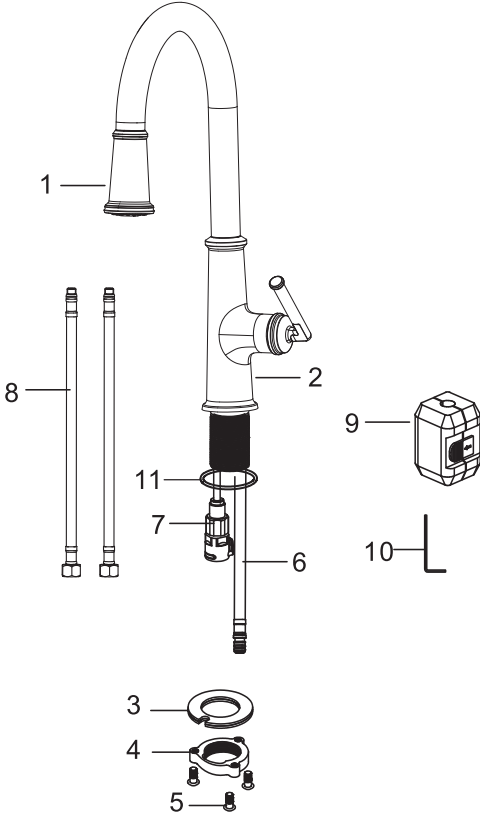
Karran[®]

INSTALLATION GUIDE

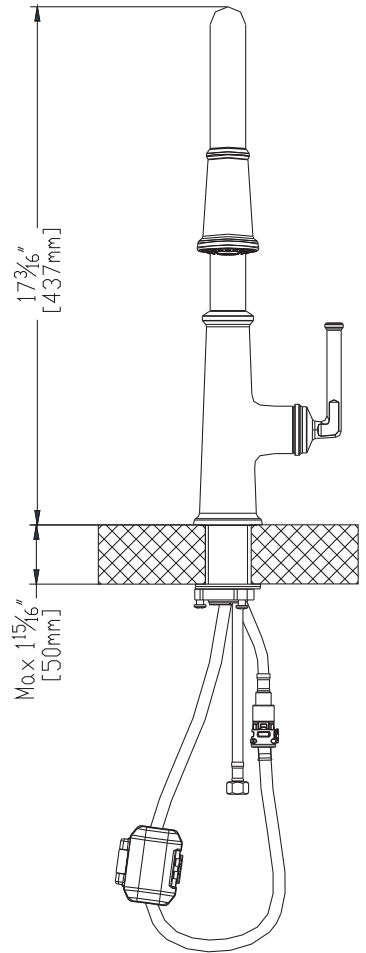
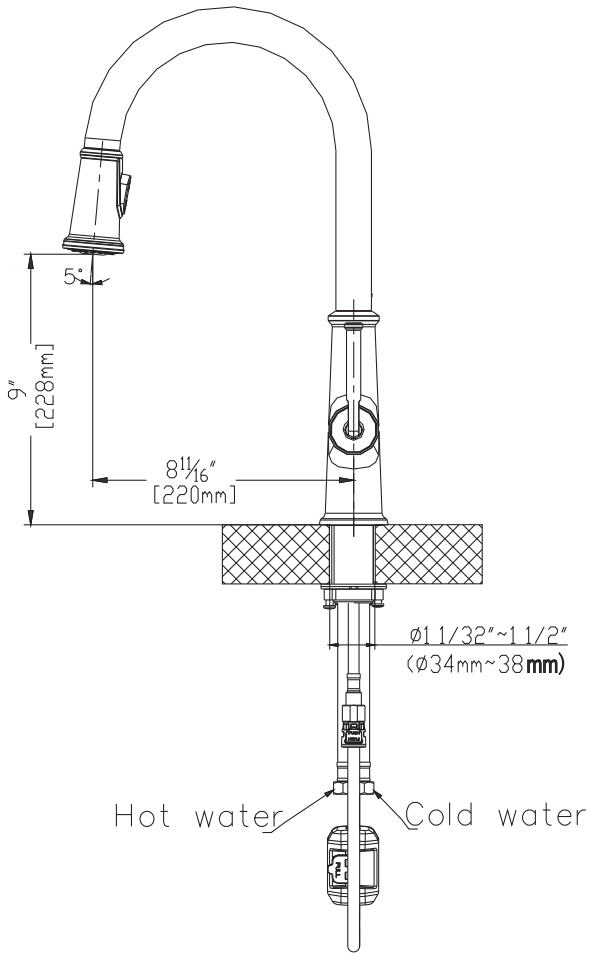


Elwood

Models: KKF330SS KKF330MB
KKF330GG

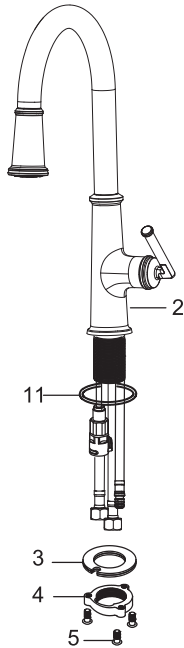


1. Spray Head
2. Faucet Body
3. Rubber&Metal Washer
4. Mounting Nut
5. Mounting Screws
6. Spray Hose
7. Quick Connector
8. Hot&Cold Water Lines
9. Weight
10. Hex Wrench
11. O-ring



INSTALLATION GUIDE

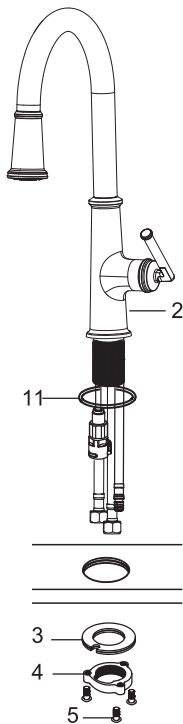
STEP 1



1. Remove the mounting nut (#4), rubber&metal washer (#3) from the faucet body (#2).



STEP 2



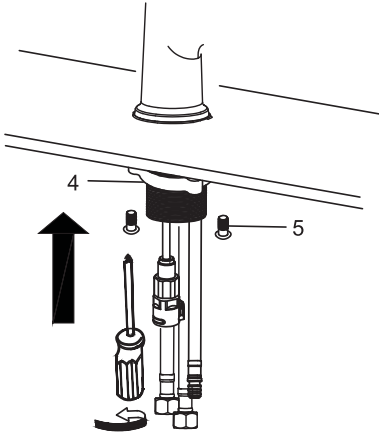
2. Insert the main body into the hole with the o-ring (#11),refix the rubber&metal washer (#3) and mounting nut (#4) from the faucet bottom.



INSTALLATION GUIDE

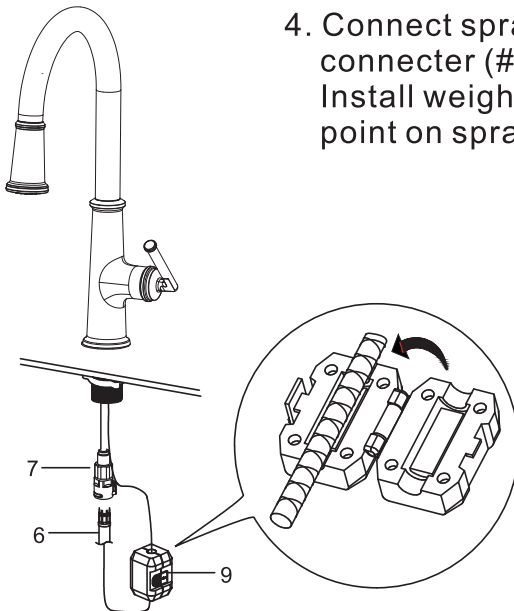
STEP 3

3. After adjusting the direction of the main body, tighten the mounting nut (#4) with hands and tighten the mounting screws (#5) with a Philips screwdriver.



STEP 4

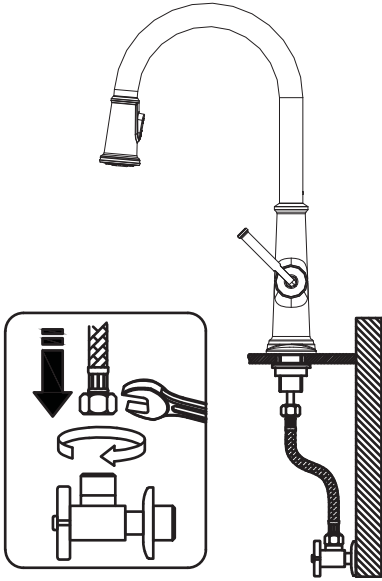
4. Connect spray hose (#6) to quick connector (#7) attached to supply line. Install weight (#9) on lowest vertical point on spray hose (#6).



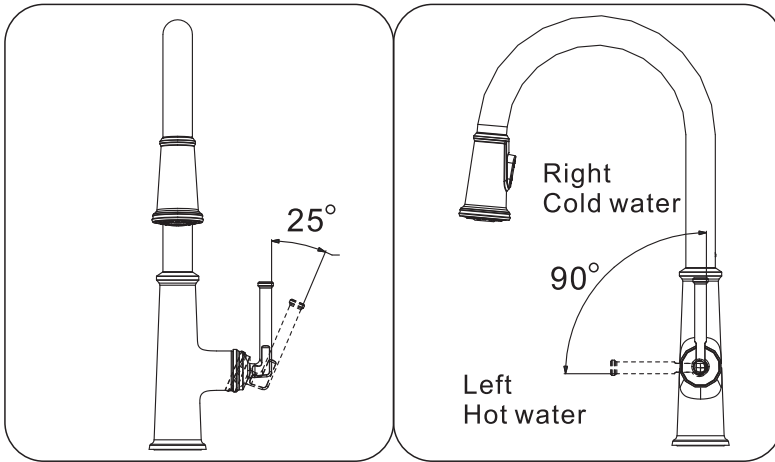
INSTALLATION GUIDE

STEP 5

5. Connect the water lines to outlet tightly.
Turn on the outlet and check for leaks.



How to operate the handle:

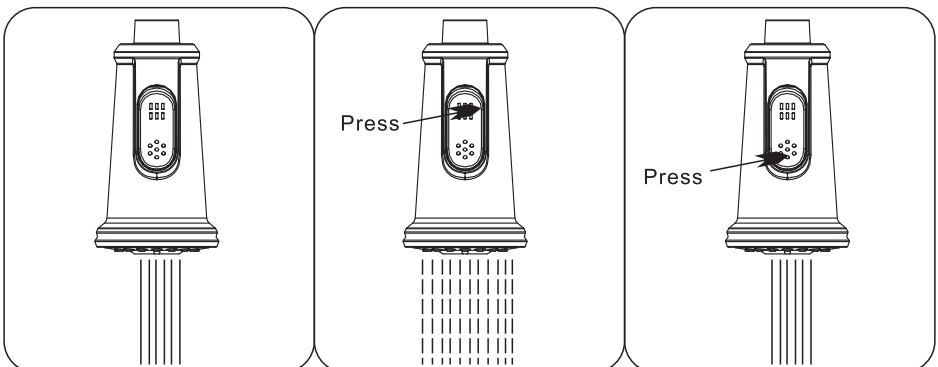


1. Open the handle lever to turn water on. Push to turn off.
2. Turn the handle lever to the left to increase hot water flow with higher water temperature. Lower the water temperature by operating reversely.

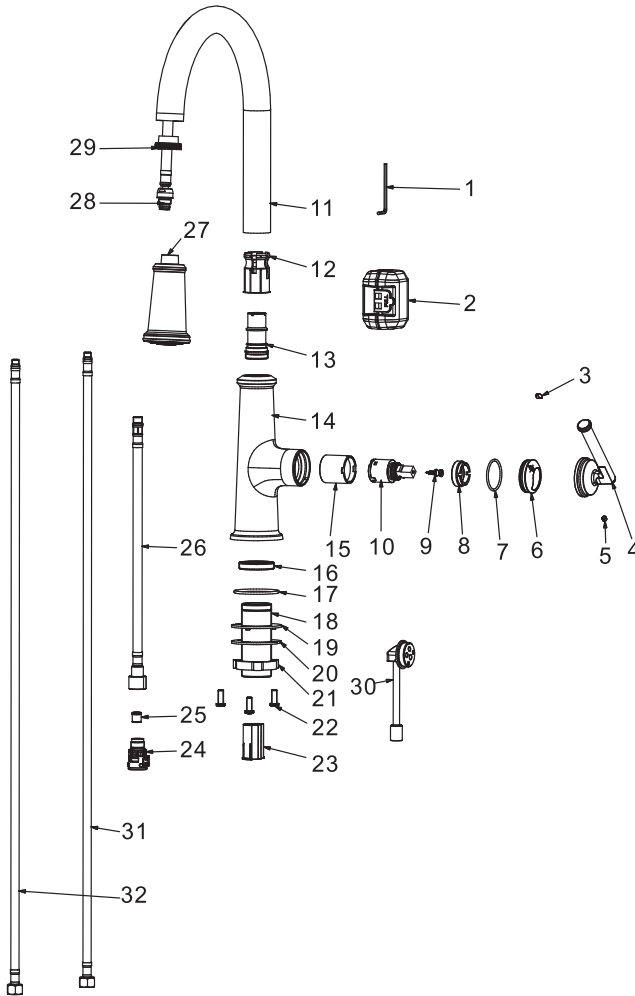
Spray

The operation of the spray diverter:

1. When first turned on, water comes from aerator.
2. Press button back, water comes from nozzles.
3. Press button front, water comes from aerator.
4. Diverter button automatically returns to normal position once handle closed.



REPLACEMENT PARTS



No.	Description	Finish/Color	Item No.
1.	Allen Key		8BS25
2.	Weight		5QQ569113
3.	Index		80N168073
4.	Handle	SS,MB,GG	50P25VGS2
5.	Screw Set		8EM5X4RB
6.	Trim Cap	SS,MB,GG	8ZG569067
7.	O-ring		8J35X2A
8.	Lock Nut		5YG569182
9.	Screw		8HM4X20A
10.	Cartridge		J10250MZ00
11.	Spout	SS,MB,GG	50G569178
12.	Spout Clip		5SJ569100
13.	Connector		5YJ569100
14.	Body	SS,MB,GG	50T569182
15.	Cartridge Hosing		52T569100
16.	Washer		5JT569129
17.	O-ring		8J50X25
18.	Threaded sleeve		84T16303
19.	Rubber Washer		81N56U26
20.	Metal Washer		81N56U26
21.	Mounting Nut		8NM56Z55
22.	Mounting Screw		8RM6X15
23.	Pull-out protector		5HT56068
24.	Quick Connector		J156226
25.	Check Valve		J92031NP3
26.	Hose		G55303SR00
27.	Spray	SS,MB,GG	F2M10
28.	Spray Hose		H569177
29.	Shower Jacket		4SJ569178
30.	Welding core		53T569121G
31.	Cold Water Line		G69703SR04
32.	Hot Water Line		G69703SR05

*Denotes faucet component color options:

SS - Stainless Steel

MB - Matte Black

GG - Gunmetal Grey